

THE  
PENTHOUSE  
COLLECTION



wandsworth  
SINCE 1904

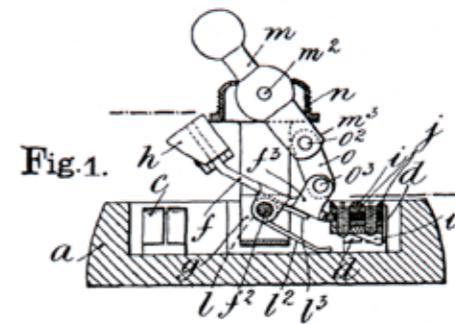


Our Heritage	04
The Penthouse Collection	08
Switches	12
Sockets	16
Connectivity	18
Bespoke	20
Finishes	22
Ordering	36





## A HISTORY OF INNOVATION



Established in 1904 by Edward Davies, Arthur Reynolds and Francis Ritchie, a trio of industry experts, the Wandsworth name has long been synonymous with exceptional design and matchless technical innovation. The company has long flown the flag for British manufacturing.

Each of our collections and products is perfected with more than a century of design finesse and manufacturing distinction. We began registering patents for our beautiful, functional products in the early 1900s. Our electrical accessories have

been used to enhance interiors and architectural wonders around the world ever since.

Our spirit and remarkable skills have endured two world wars and an incendiary bomb blast. Wandsworth has grown and relocated six times, including moving from Birmingham to our current home in Sheerwater, Surrey, in 1952. Throughout it all, we have retained our passion for British innovation, technical excellence and craftsmanship. These values continue to inspire us today.

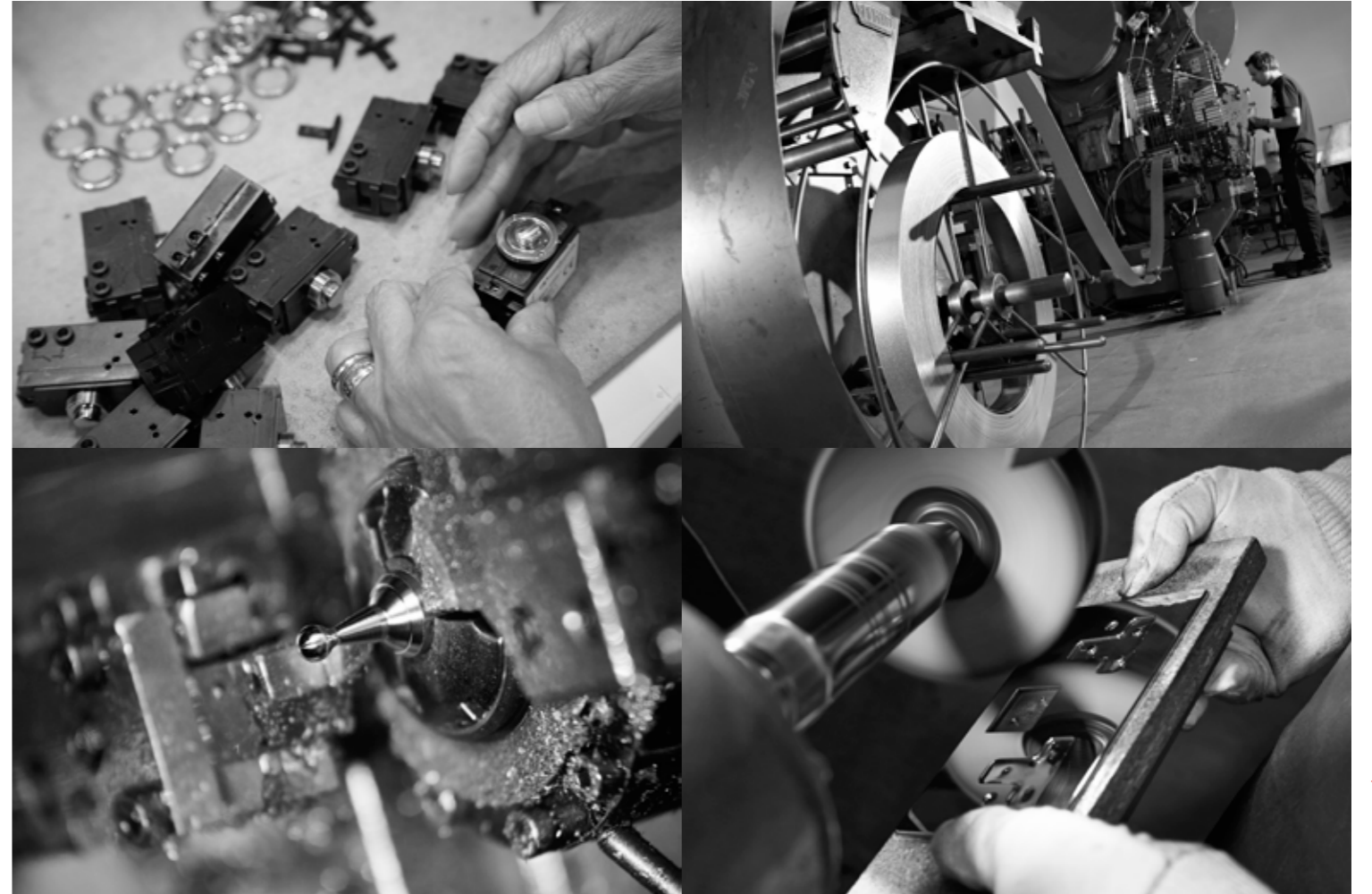
## HANDCRAFTED IN ENGLAND

We understand that little details are incredibly important to you. That's why we have brought together the best possible British craftsmanship, expertise and engineering. You can see years of knowledge and experience behind every process, from concept to completed article.

We live in a world where people expect to know exactly what they're buying. Wandsworth products have been designed and manufactured in Britain since 1904. Each plate, socket, switch, fixture and fitting is hand-designed to peerless values. We also test everything by hand to impeccable industry standards. Moreover, we have set our own exacting standards that go beyond industry recommendations.

By designing and manufacturing on home shores, we're supporting the British economy and offering low manufacturing miles. That means you can trust Wandsworth and simply enjoy your creative experience.

Our products have been selected to embellish interiors and architecture around the globe. Projects involving Wandsworth include the private residence of the Duke and Duchess of Cambridge at Kensington Palace, the Bank of England, Windsor Castle, the Hong Kong Shanghai Bank, as well as royal palaces and state houses across the Middle East and Africa.



A close-up, shallow depth-of-field photograph of a row of four ornate brass door handles. The handles are arranged in a diagonal line from the top-left towards the bottom-right. Each handle features a spherical knob and a circular, fluted base. The lighting is warm, highlighting the metallic texture and creating soft shadows. The background is a plain, light-colored wall.

THE  
PENTHOUSE  
COLLECTION

BESPOKE. BRITISH. DESIGN



The pinnacle of design artistry and technical skill, the Penthouse Collection is home to our finest creations. Stylish lines and extraordinary skill come together to deliver the most exceptional electrical accessories possible. The design for this collection features a slimline, screwless flat plate with hidden clip-in fixings for a flush finish; an ideal complement to any interior.

We have created each item to reflect your needs and values; our products are sophisticated, hard-working, discreet and unique. Attention to detail and a clear understanding of what you need are the kinds of touches you'll experience when you come to us.



## SWITCH INTERIORS

We understand that you expect durability as well as elegance. With this in mind, we have created precision engineered switches including rockers, dimmers, toggles, and bell pushes, which are available in a range of finishes. Gracing the finest interiors worldwide, our switches are adapted to suit your choice of finish and style.



Single plate  
1 x toggle switch



Single plate  
1 x rocker switch



Single plate  
1 x dimmer switch

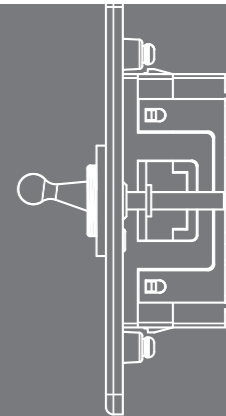


Single plate  
1 x bell push



## SWITCH PLATES

No matter where your switches are placed, each one is neat and effortlessly stylish. Our patented screwless fixtures give a truly flush finish that only comes from years of design experience.



## SOCKET OUTLET

We know that you insist on electrical accessories that offer elegance and excellence. That's why we have created our single and twin sockets with hidden, clip-in fixtures whether or not they feature switches. The design gives you a sophisticated, low profile result to complement any interior style. Our accessories are also highly robust so that you can rely on Wandsworth day after day, for years to come.



13 Amp socket outlet  
Single plate



13 Amp socket outlet  
Double plate



2 Amp socket outlet  
Unswitched



5 Amp socket outlet  
Unswitched



## MODULAR INTERIORS

We've made it easy to customise your data, multimedia, audio and USB configurations to suit your exact requirements, without compromising on style. All of our data, multimedia, audio and USB components coordinate with the Penthouse Collection. We will work with you to create a custom arrangement with a cohesive, contemporary look for your interior.

Our standard wall plates can be produced with single or multiple outlets. Similarly, we can create oversized plates with single or multiple outlets, designed to your exact specifications. Our solutions keep the number of required plates to a minimum and group outlets together. The resulting configuration is sleek and organised, enhancing your interior design look and feel.



Bespoke arrangements to suit your needs

## FUSED CONNECTION UNITS & DOUBLE POLE SWITCHES

Wandsworth makes your fused connection units safe and easy to replace. Our retained fuse carrier stays in place during a fuse change. Our double pole switches include a contact gap for isolation so you can be assured of safety at all times. You can also opt for illuminated or non-illuminated indicators with your design specifications.



Switched fused connection unit



Fused connection unit



45 Amp double pole switch



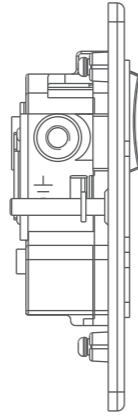
45 Amp double pole switch

## COMPLETELY BESPOKE

Getting the details right should be enjoyable and easy. That's why we invite you to take advantage of our bespoke service.

You will be able to select your style, colour, finish and configuration from a wide variety of options. You can choose from a range of sizes and customise your plates to contain a vast array of interiors, including switches, sockets, multimedia and data outlets.

Please contact us and involve us in your creative process, and we'll work with you to design every item to meet your individual requirements.



*For more information please contact our customer services team by email at [sales@wandsworthgroup.com](mailto:sales@wandsworthgroup.com) or by telephone on 01483 713400*



FINISHES

## ANTIQUÉ BRONZE

You can expect a wealth of knowledge and a sympathetic touch at Wandsworth. Our antique bronze finish is designed to enhance the historic period and elegance of your setting.

For more information please contact our customer services team by email at [sales@wandsworthgroup.com](mailto:sales@wandsworthgroup.com) or by telephone on **01483 713400**



Actual size (86mm x 86mm)

See the full range and ordering details on page 36.



Actual size (146mm x 86mm)

See the full range and ordering details on page 36.

## ANTIQUÉ BRASS

Hand crafted for an authentic antique look, our Antique Brass finish brings character and sophistication to your interior design. Where period decor needs a sympathetic approach, Antique Brass offers subtle class and warmth.

For more information please contact our customer services team by email at [sales@wandsworthgroup.com](mailto:sales@wandsworthgroup.com) or by telephone on **01483 713400**



Actual size (86mm x 86mm)

See the full range and ordering details on page 36.



Actual size (146mm x 86mm)

See the full range and ordering details on page 36.

## POLISHED BRASS

Our highly polished, lustrous brass finish will complement the most sophisticated room. The polished brass finish can also be left to develop naturally with time, bringing a warm, authentically aged touch to any interior.

For more information please contact our customer services team by email at [sales@wandsworthgroup.com](mailto:sales@wandsworthgroup.com) or by telephone on **01483 713400**



Actual size (86mm x 86mm)

See the full range and ordering details on page 36.



Actual size (146mm x 86mm)

See the full range and ordering details on page 36.

## BRIGHT NICKEL

Our bright nickel finish will suit contemporary and traditional interiors alike. It gives a smart impression whether it's against a painted wall, masonry or patterned wallpaper.



Actual size (86mm x 86mm)

See the full range and ordering details on page 36.



Actual size (146mm x 86mm)

See the full range and ordering details on page 36.

For more information please contact our customer services team by email at [sales@wandsworthgroup.com](mailto:sales@wandsworthgroup.com) or by telephone on **01483 713400**

## SATIN NICKEL

If you are looking for a soft appearance, our satin nickel finish gives you just that. The gentle, brushed effect finish brings a timelessly elegant touch to any room.

For more information please contact our customer services team by email at [sales@wandsworthgroup.com](mailto:sales@wandsworthgroup.com) or by telephone on **01483 713400**



Actual size (86mm x 86mm)

See the full range and ordering details on page 36.



Actual size (146mm x 86mm)

See the full range and ordering details on page 36.

## YELLOW ETCHED

Whether you're creating a classic look or an unconventional style, our yellow etched base is primed for paint finishing that will suit any design scheme you choose.



For more information please contact our customer services team by email at [sales@wandsworthgroup.com](mailto:sales@wandsworthgroup.com) or by telephone on **01483 713400**

See the full range and ordering details on page 36.



## ORDERING

Whether you select a ready-made item or commission specific products, the craftsmen in our on-site factory create every piece with exceptional care and skill.

If you would like to learn more about commissioning products or would like to place an order, please contact our head office or speak to your Wandsworth representative.

Whatever your requirements, please get in touch and we will work with you to meet your precise brief. If you would like to view samples before placing an order, we will arrange it for you.

### GENERAL ENQUIRIES

01483 713400

[info@wandsworthgroup.com](mailto:info@wandsworthgroup.com)

### CUSTOMER SERVICES

01483 713450

[sales@wandsworthgroup.com](mailto:sales@wandsworthgroup.com)

### EXPORT

[export@wandsworthgroup.com](mailto:export@wandsworthgroup.com)

### QUOTATIONS

[quotations@wandsworthgroup.com](mailto:quotations@wandsworthgroup.com)

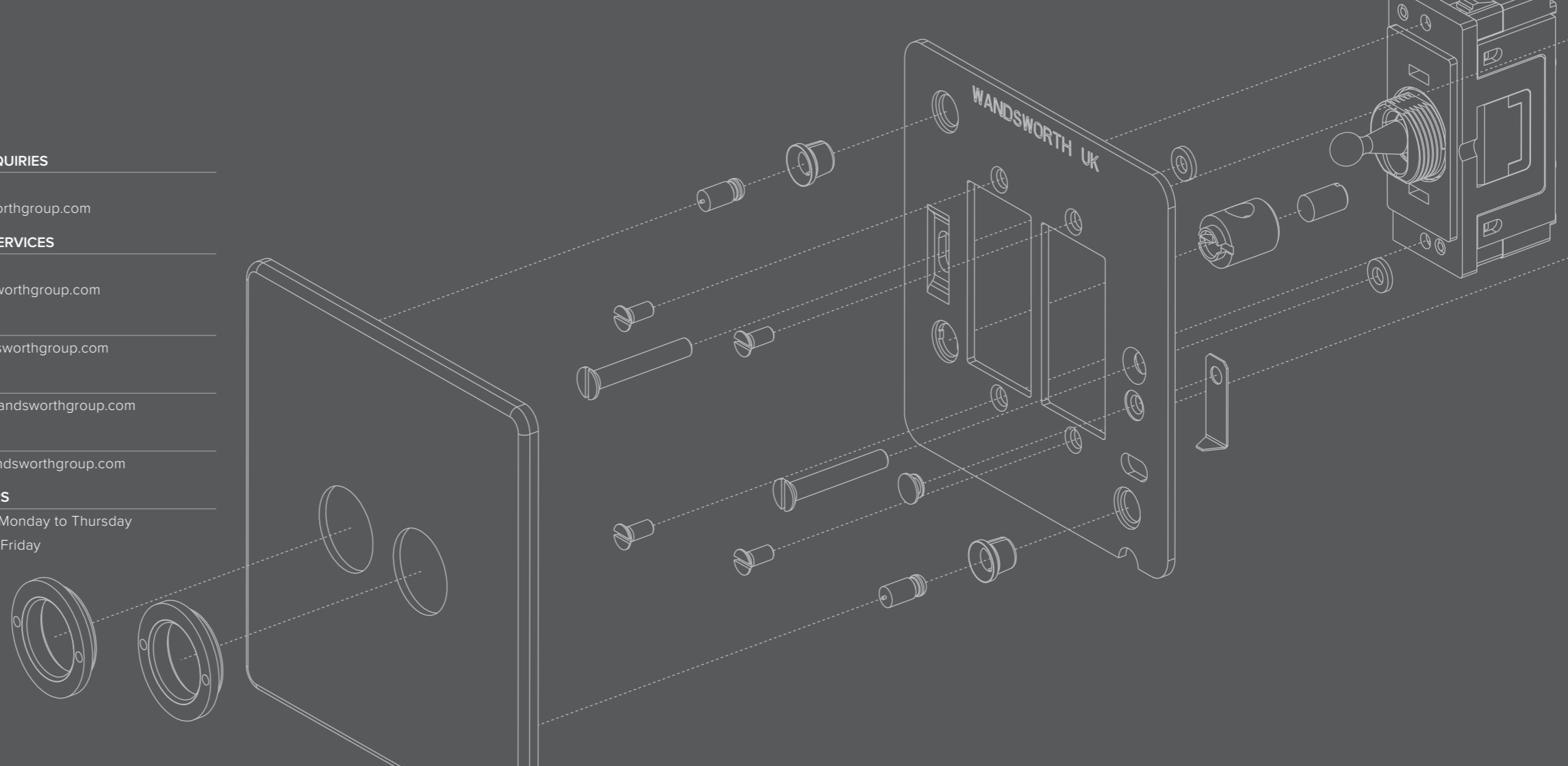
### TECHNICAL

[technical@wandsworthgroup.com](mailto:technical@wandsworthgroup.com)

### OFFICE HOURS

09.00 – 17.00 Monday to Thursday

09.00 – 16.00 Friday



SWITCH PLATES

With a plate profile of 3.5mm the Penthouse collection is setting the standard and can truly be called 'flush fitted'. The Penthouse collection's range of switch plates uses a hidden clip-in style, attaching securely to the rear mounted grid. Earthing of the front plate is by means of a scraping earth fitted to the adjustable grid.



ROCKER/MODULAR PLATES

Plate	P401	P402	P403	P404
Grid	G401	G402	G403	G404

BOXES:

Flush (metal)	1702	1702	1703	1703
---------------	------	------	------	------



TOGGLE/BELL PUSH PLATES

Plate	P481	P482	P483	P484
Grid	G401	G402	G403	G404

BOXES:

Flush (metal)	1702	1702	1703	1703
---------------	------	------	------	------



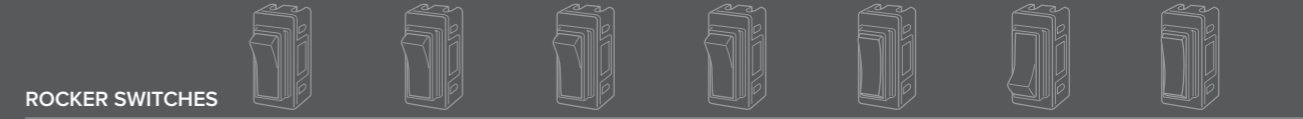
DIMMER PLATES

Plate	P431	P418	P419	P420
Grid	G431	G418	G419	G420

BOXES:

Flush (metal)	1702	1702	1703	1703
---------------	------	------	------	------

SWITCH INTERIORS



ROCKER SWITCHES

Unit	Switch	Switch	Switch	Switch	Switch	Switch	Switch
Type	1 way	2 way	Double pole	Intermediate	2 way & off	6 amp retractive push-to-make/push-to-break	6 amp 2 way & off retractive

Reference	10	11	12	13	14	15	17
-----------	----	----	----	----	----	----	----



ROCKER SWITCHES

Unit	Blank	Neon	Neon	Key switch	Key switch	Key switch	Key switch	Spare key*
Type	Dummy	Red	Green	1 way	2 way	Double pole	Intermediate	N/A

Reference	18	19/R	19/GR/B	20	21	22	23	24
-----------	----	------	---------	----	----	----	----	----



PALACE TOGGLE SWITCHES

Unit	Switch	Switch	Switch	Switch	Switch	Bell push	Spare ring
Type	1 way	2 way	Double pole	Intermediate	2 way & off	Push to make	N/A

Reference	90	91	92	93	94	95	E32
-----------	----	----	----	----	----	----	-----

Switch interiors above are used in all our Wandsworth electrical accessory ranges. All switches are rated at 250V 20 amps, part number 15 rated at 250V 6A AC, part number 95 is rated 250V 4A AC.

For more information please contact our customer services team by email at [sales@wandsworthgroup.com](mailto:sales@wandsworthgroup.com) or by telephone on 01483 713400





