



Technical Specifications

Hardwood Bead details
Cross Section specifications
Aperture Measurements

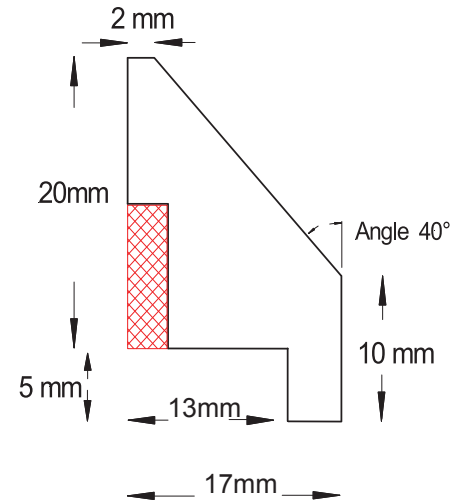
Vistamatic® Ltd
51- 55 Fowler Road
Hainault, Essex IG6 3XE

Published: 2014

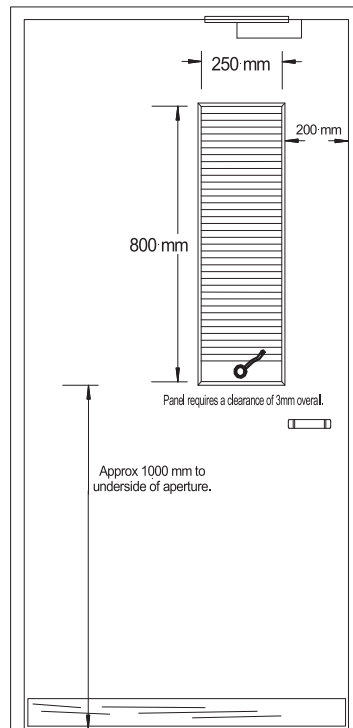
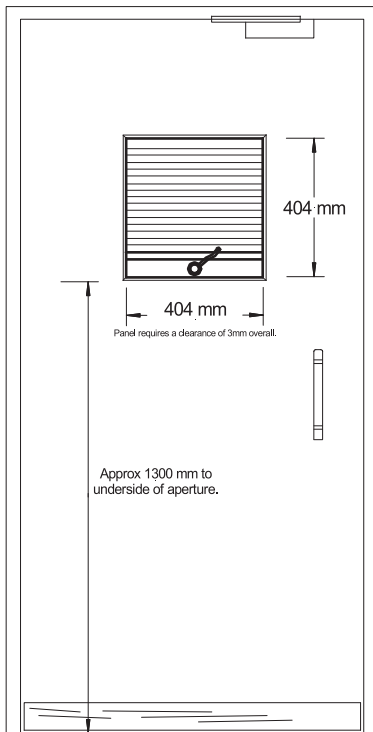
Hardwood Bead Details for Fire Rated VISTAMATIC® Vision Panel

Any type of hardwood bead is suitable to fix the Vistamatic Vision Panel into a door or wall aperture. Fixing can be achieved by screwing or nailing which ever is suitable for the project. The beads should be mitred at the corners to achieve the correct aesthetic finish. The Vistamatic Vision Panel requires a clearance of 3mm overall as it should not be a tight fit in the aperture.

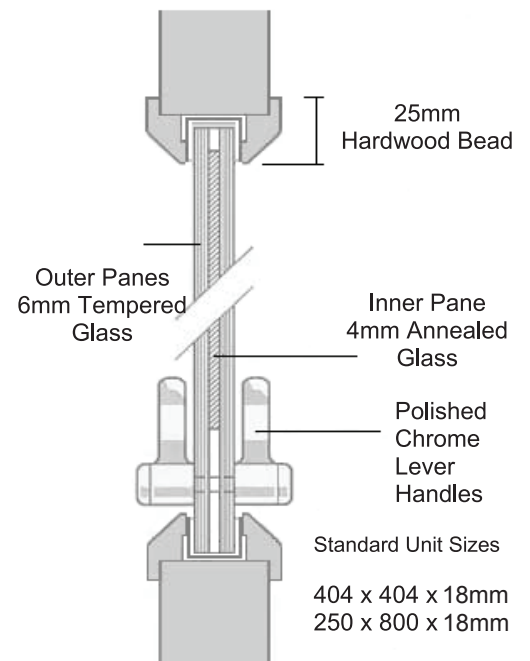
An intumescent strip (Lorient LP 1003) or equivalent paste should be placed where indicated to achieve half hour fire integrity in accordance with our fire certificate.



Aperture Measurements and Cross Section specifications



Cross Section of VS2/VS02 Unit



All sizes shown are approximate and intended as a guide only
Clearance of 3mm overall is required for cut-outs to allow fitting.

For more technical information on the VISTAMATIC® range including
Glass Integrity and Fire Ratings, Operating Systems, Graphics and Colour Options
visit www.vistamatic.com

Technical Data Sheet



Model Types

VS1—VS01

**Standard: Square or Oblong
Standard Lines or Max Lines
NON Fire Rated**

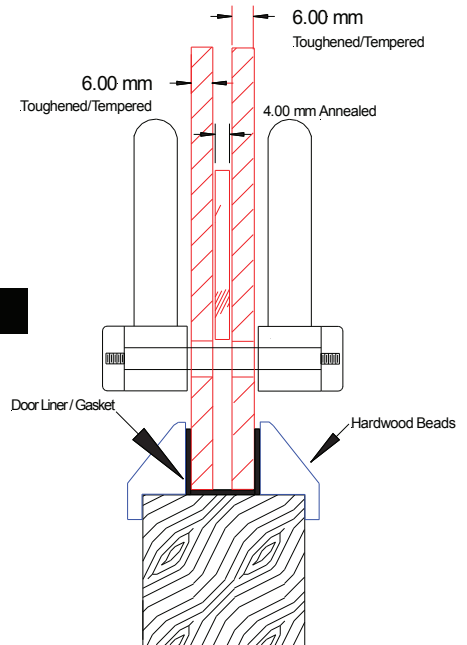
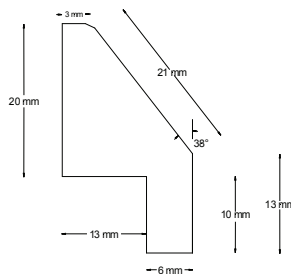


Standard Sizes Available

404mm x 404mm
and
250mm x 800mm

Bespoke sizes available on request

Hardwood Bead Details for 44mm Door



Non Fire Glass Details

6mm Toughened/Tempered to both outer panes.
4mm Annealed to moving centre.

All tempered glass conforms to BS6206 meeting impact class 'A'

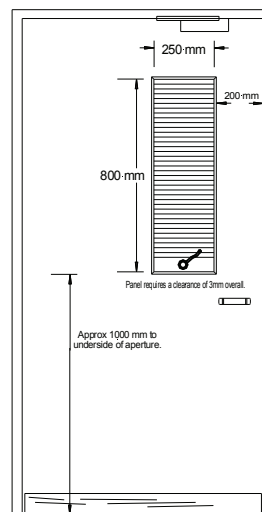
Alternative Glass Details

Toughened Glass
8mm – 10mm – 12mm – 19mm

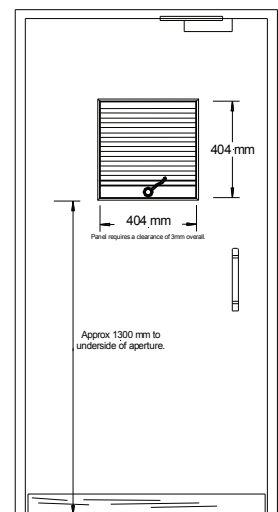
Laminated Glass
6.4mm – 7.5mm – 8.8mm – 10.8mm – 11.5mm – 13.5mm

Acoustic Laminated Glass
6.8mm – 8.8mm – 10.8mm – 12.8mm – 16.8mm

Door Blank Cut-outs



All sizes shown are approximate and intended as a guide only.
Drawing is not to scale.



All sizes shown are approximate and intended as a guide only.
Drawing is not to scale.

Anti-Ligature Handle Options



Sectors for Vistamatic use

- Healthcare
- Education
- Security
- Commercial
- Residential

or anywhere where discreet observation and security are required.

For more information visit our web site www.vistamatic.com

Technical Data Sheet



Model Types

VS1—VS01 Standard: Square or Oblong Standard Lines or Max Lines FD30—Fire Rated

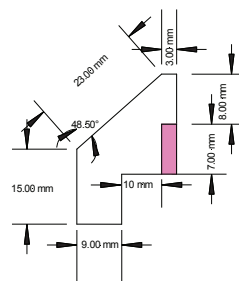


Standard Sizes Available

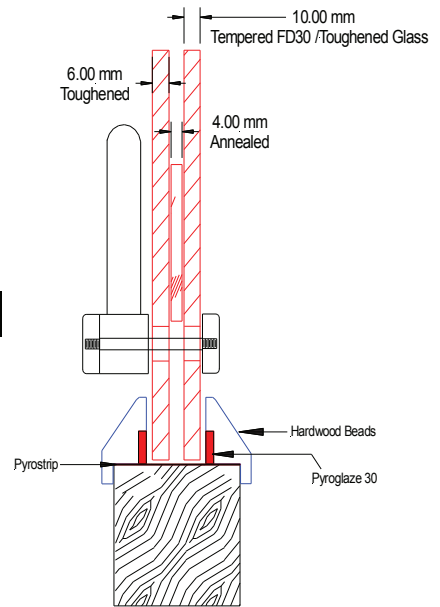
404mm x 404mm
and
250mm x 800mm

Bespoke sizes available on request

FD30 Hardwood Bead Details for 44mm Door



Mann McGowan Pyroglaze 30 intumescent seal is placed into the bead rebate



BSEN:1634

Standard FD30 Glass Details

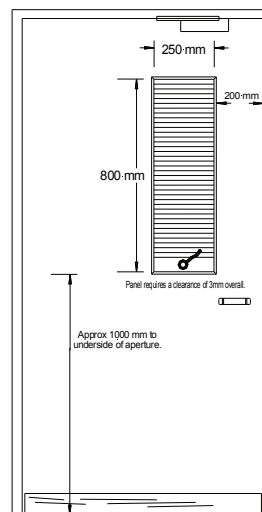
External Pane: 6mm Toughened Glass
Internal Pane: 10mm Pyro-EX Toughened Glass
4mm Annealed Glass moving centre.

All tempered glass conforms to BS6206 meeting impact class 'A'

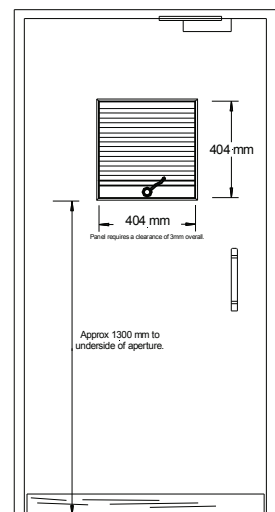
Alternative FD30 Fire Glass Details

- Pyroshield Safety Clear (Wired)
- 6mm Pyroset XP
- Pyroguard C730 Clear
- 7mm Pyrodur Plus
- 10mm Pyroset XP
- 10mm Pyrodur
- 15mm Pyrostop
- 16mm Pyrobel
- 18mm Pyrostop

Door Blank Cut-outs



All sizes shown are approximate and intended as a guide only.
Drawing is not to scale.



All sizes shown are approximate and intended as a guide only.
Drawing is not to scale.

Anti-Ligature Handle Options



Sectors for Vistamatic use

- Healthcare
- Education
- Security
- Commercial
- Residential

or anywhere where discreet observation and security are required.

For more information visit our web site www.vistamatic.com

Technical Data Sheet



Model Types

Vistamatic Flush Standard: Square or Oblong Max Lines NON Fire Rated



Sizes Available

404mm x 404mm
and
250mm x 800mm

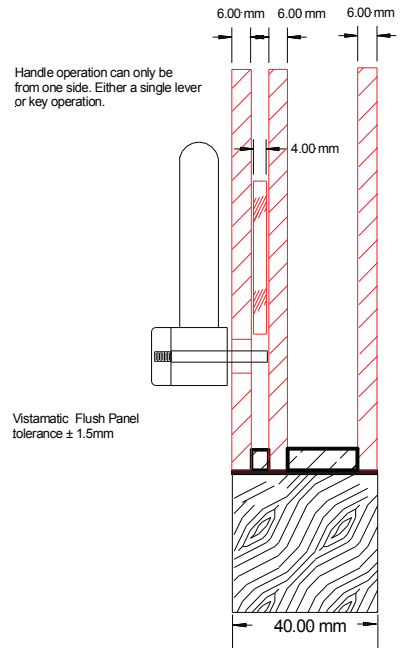
Bespoke sizes available on request from

200mm x 300mm
to
500mm x 800mm

Panel to suite

Door Thickness from

40mm to 54mm



Non Fire Glass Details

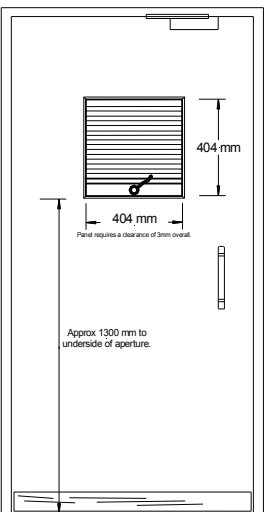
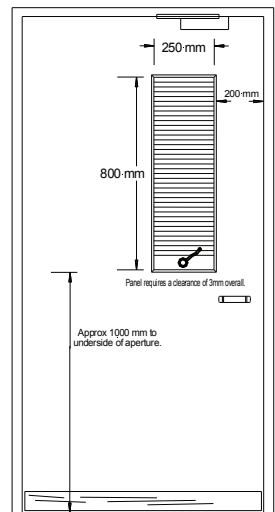
6mm Toughened/Tempered to both outer panes.
4mm Annealed to moving centre.

All tempered glass conforms to BS6206 meeting impact class 'A'

Alternative FD30 Fire Glass Details

- Pyroshield Safety Clear (Wired)
- 6mm Pyrozet XP
- Pyroguard C730 Clear
- 7mm Pyrodur Plus
- 10mm Pyrozet XP
- 10mm Pyrodur
- 10mm Pyro-EX
- 15mm Pyrostop
- 16mm Pyrobel
- 18mm Pyrostop

Door Blank Cut-outs



All sizes shown are approximate and intended as a guide only. Drawing is not to scale.

All sizes shown are approximate and intended as a guide only. Drawing is not to scale.

Anti-Ligature Handle Options



Sectors for Vistamatic use

- Healthcare
- Education
- Security
- Commercial
- Residential

or anywhere where discreet observation and security are required.

For more information visit our web site www.vistamatic.com

Technical Data Sheet

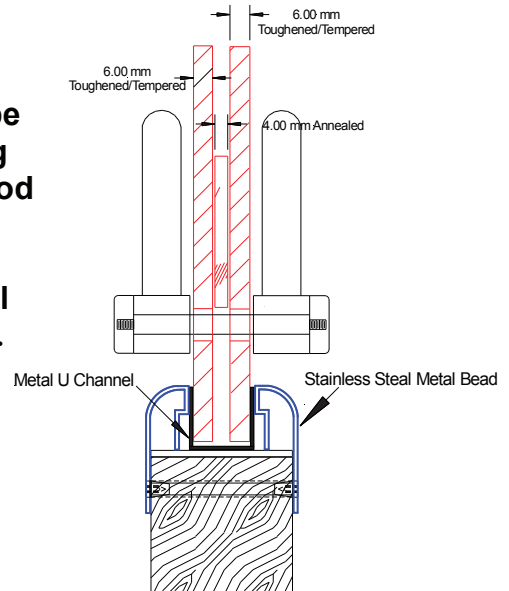


Model Types

Vistaport 400mm Round Standard Lines NON Fire Rated



Vistaport can be installed using either a hardwood bead or the Vistamatic Stainless Steel security bead.



Non Fire Glass Details

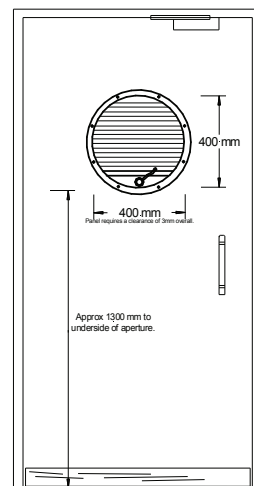
6mm Toughened/Tempered to both outer panes.
4mm Annealed to moving centre.

All tempered glass conforms to BS6206 meeting impact class 'A'

Alternative FD30 Fire Glass Details

- Pyroshield Safety Clear (Wired)
- 6mm Pyrocet XP
- Pyroguard C730 Clear
- 7mm Pyrodur Plus
- 10mm Pyrocet XP
- 10mm Pyrodur
- 10mm Pyro-EX
- 15mm Pyrostop
- 16mm Pyrobel
- 18mm Pyrostop

Door Blank Cut-out



All sizes shown are approximate and intended as a guide only.
Drawing is not to scale.

Anti-Ligature Handle Options



Sectors for Vistamatic use

- Healthcare
- Education
- Security
- Commercial
- Residential

or anywhere where discreet observation and security are required.

For more information visit our web site www.vistamatic.com

Technical Data Sheet



Model Types

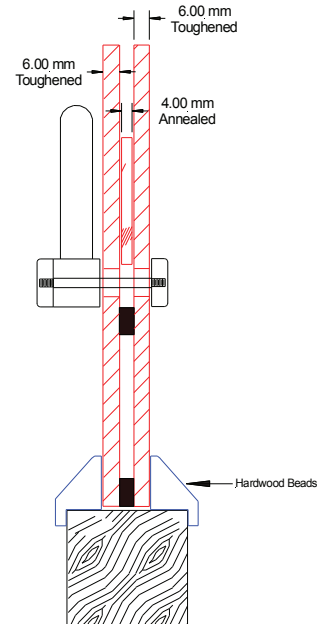
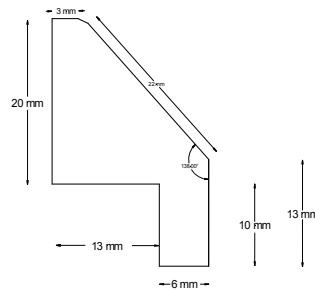
Vistamatic XL Oblong Vision Panel Standard Lines or Max Lines NON Fire Rated



Sizes Available

Widths from 175 mm to 500 mm
and
Heights from 1150 mm x 1500 mm

Hardwood Bead Details for 44mm Door



Non Fire Glass Details

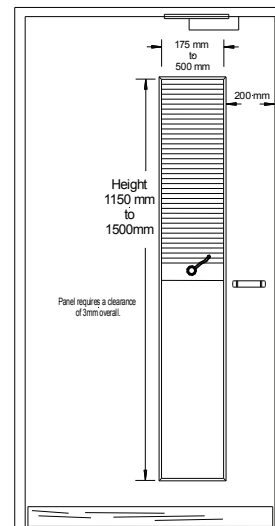
6mm Toughened/Tempered to both outer panes.
4mm Annealed to moving centre.

All tempered glass conforms to BS6206 meeting impact class 'A'

Alternative FD30 Fire Glass Details

- Pyroshield Safety Clear (Wired)
- 6mm Pyroset XP
- Pyroguard C730 Clear
- 7mm Pyrodur Plus
- 10mm Pyroset XP
- 10mm Pyrodur
- 10mm Pyro-EX
- 15mm Pyrostop
- 16mm Pyrobel
- 18mm Pyrostop

Door Blank Cut-out



Anti-Ligature Handle Options



Sectors for Vistamatic use

- Healthcare
- Education
- Security
- Commercial
- Residential

or anywhere where discreet observation and security are required.

For more information visit our web site www.vistamatic.com

Technical Data Sheet



Model Types

Vistamatic XL

Oblong Vision Panel

Standard Lines or Max Lines

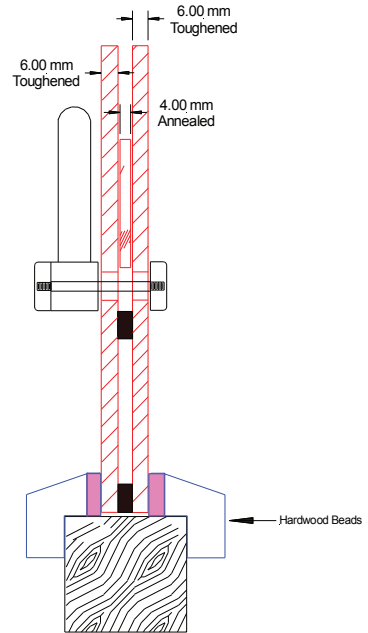
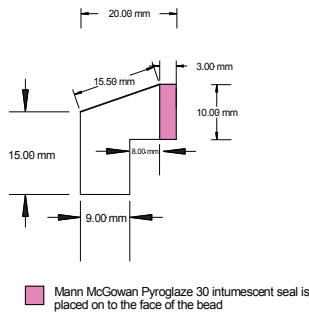
FD 30 Fire Rated



Sizes Available

Widths from 175 mm to 500 mm
and
Heights from 1150 mm x 1500 mm

Hardwood Bead Details for FD30 44mm Door



Standard FD30 Glass Details

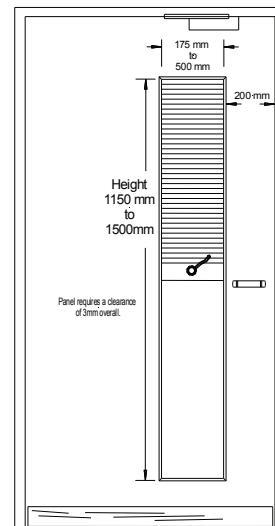
External Pane: 6mm Toughened Glass
 Internal Pane: 10mm Pyro-EX Toughened Glass
 4mm Annealed Glass moving centre.

All tempered glass conforms to BS6206 meeting impact class 'A'

Alternative FD30 Fire Glass Details

- Pyroshield Safety Clear (Wired)
- 6mm Pyrocet XP
- Pyroguard C730 Clear
- 7mm Pyrodur Plus
- 10mm Pyrocet XP
- 10mm Pyrodur
- 15mm Pyrostop
- 16mm Pyrobel
- 18mm Pyrostop

Door Blank Cut-out



Anti-Ligature Handle Options

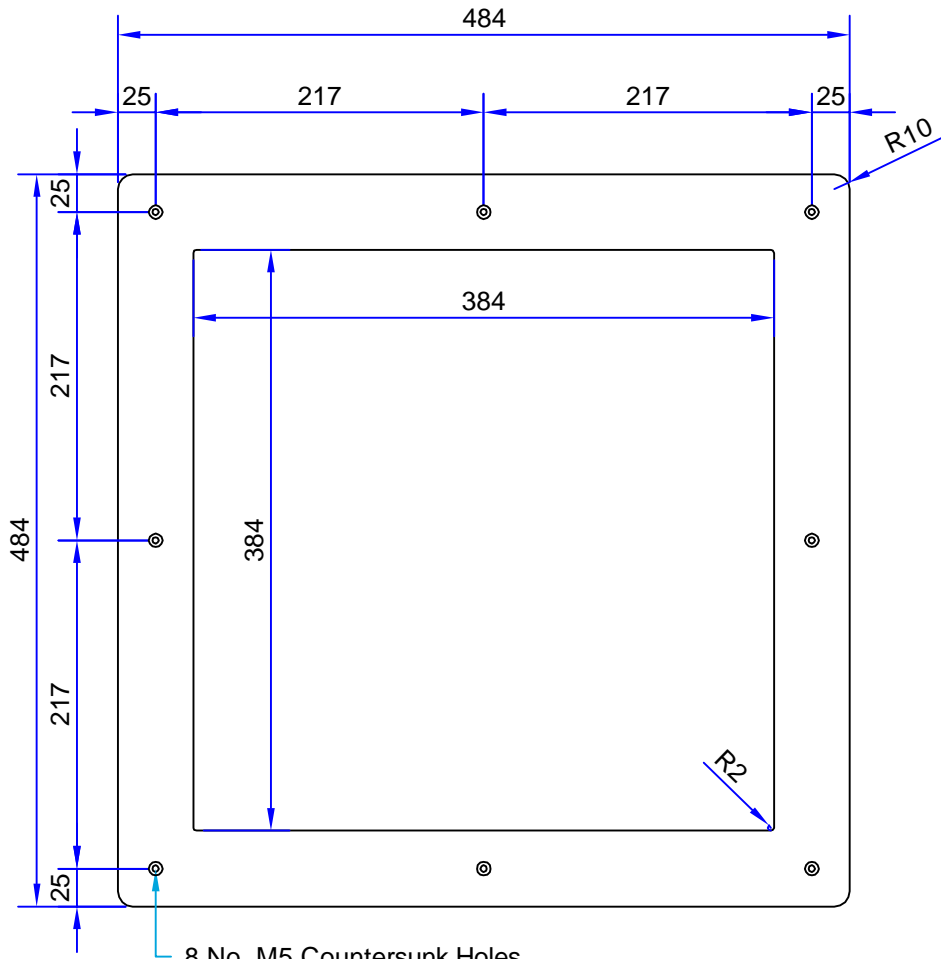


Sectors for Vistamatic use

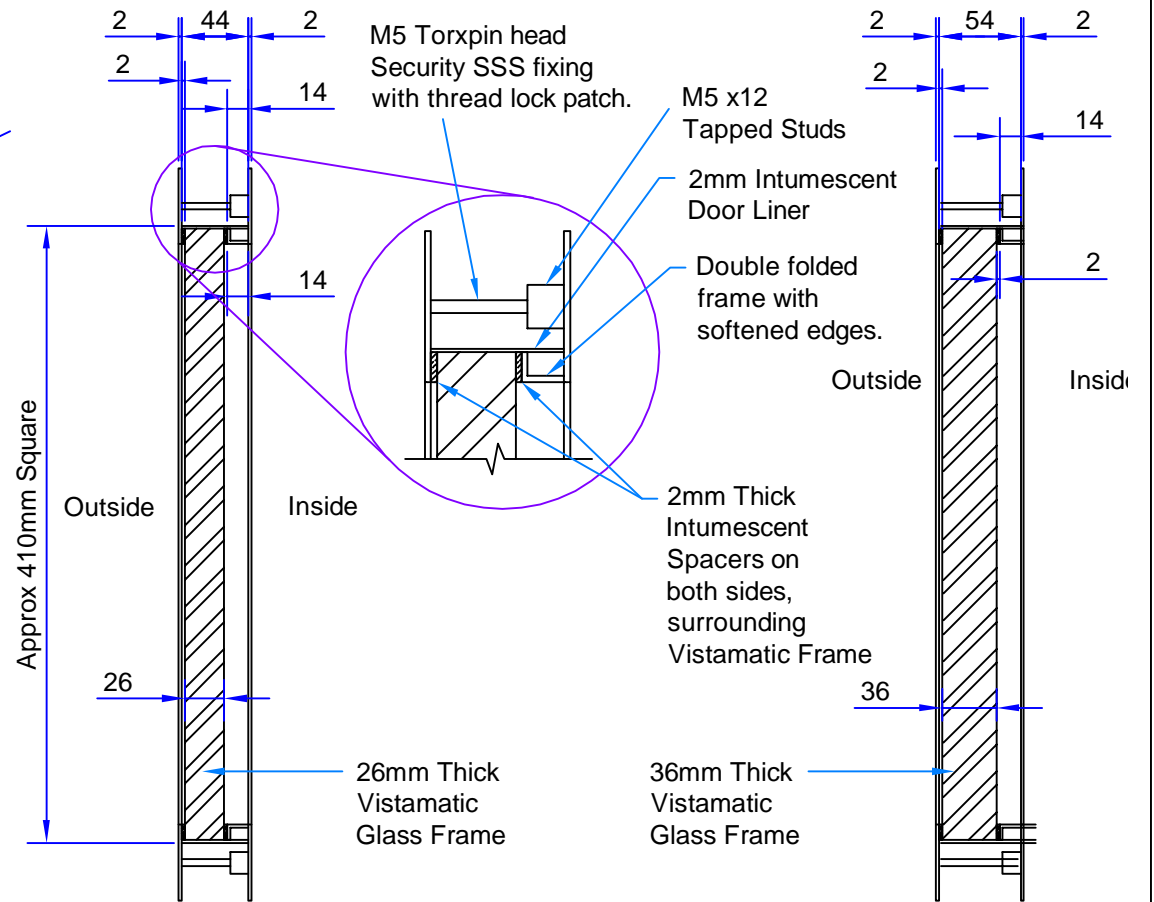
- Healthcare
- Education
- Security
- Commercial
- Residential

or anywhere where discreet observation and security are required.

For more information visit our web site www.vistamatic.com



FRONT VIEW

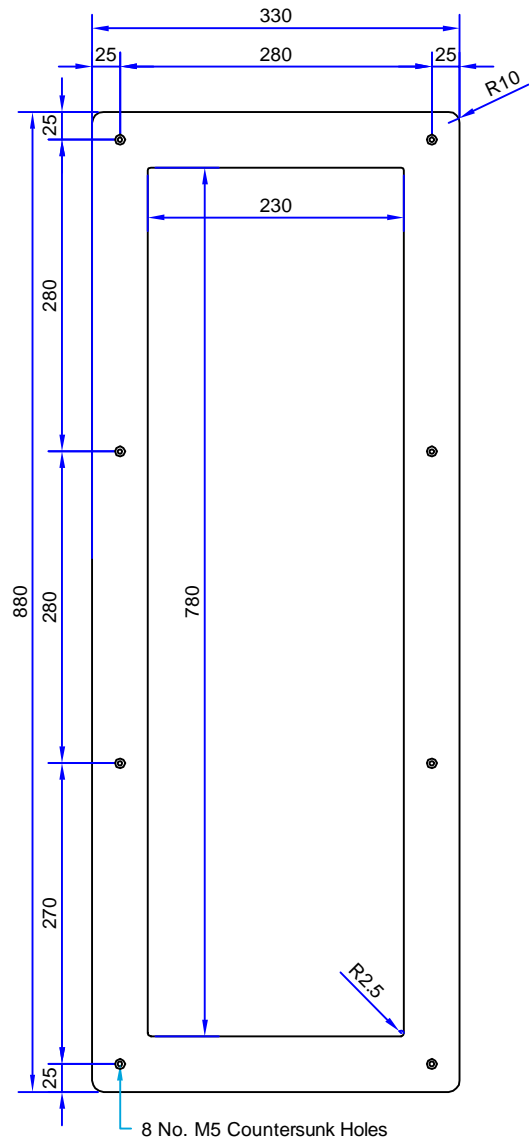


SIDE VIEW FOR 44mm DOOR

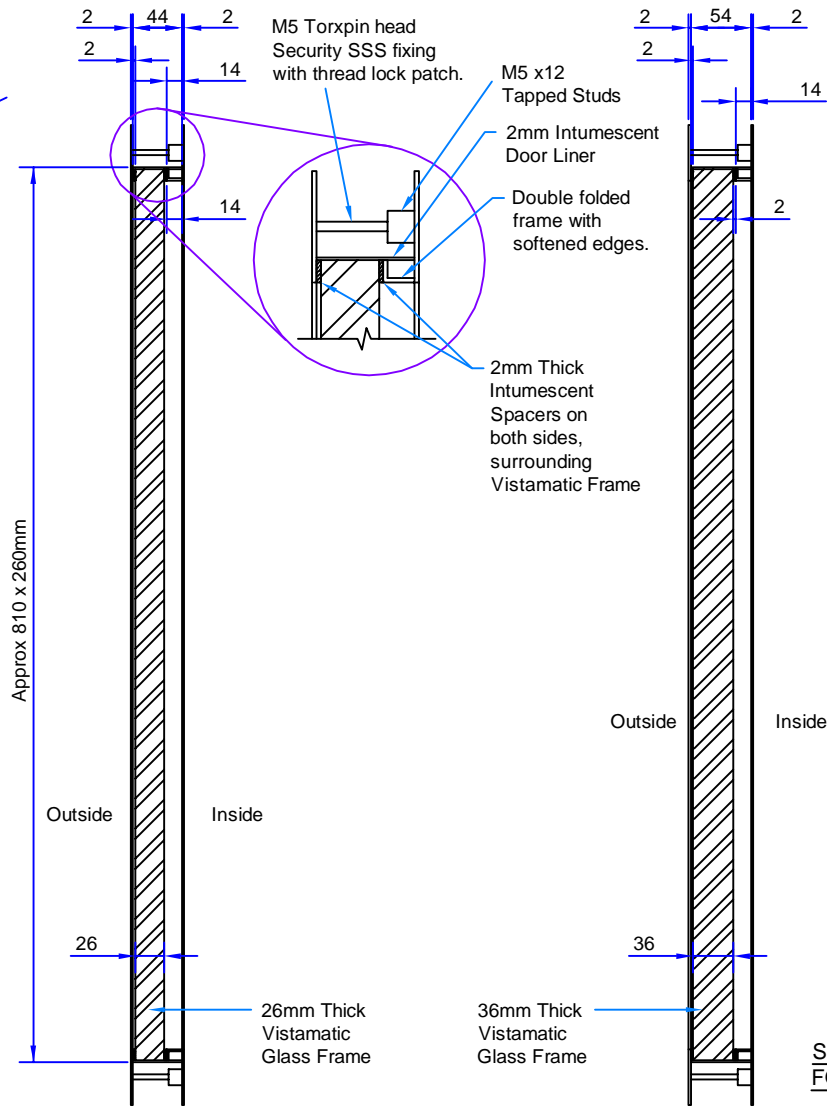
SIDE VIEW FOR 54mm DOOR

PLEASE NOTE
 OTHER SIZE DOOR THICKNESS'S
 OR VISTAMATIC GLASS FRAME
 THICKNESS'S ARE AVAILABLE TO BE SUPPLIED.

Drawn By	Approved By:	Date	
Title Vistamatic Fascia S/S Frame Details			
Part No.	VISTA SS 20/14	Scale	Sheet



FRONT VIEW



SIDE VIEW FOR 44mm DOOR

SIDE VIEW FOR 54mm DOOR

PLEASE NOTE
OTHER SIZE DOOR THICKNESS'S
OR VISTAMATIC GLASS FRAME
THICKNESS'S ARE AVAILABLE TO BE SUPPLIED.

Drawn By		Approved By:		Date	
Title Vistamatic Fascia S/S Frame Details					
Part No. VISTA SS 21/14		Scale		Sheet	