



# Cape Cod Pre-coated Timber Cladding

## Cape Cod solid wood cladding

### Quality from Canada with a 15-year coating warranty\*

(\* Warranty subject to correct installation in accordance with manufacturers' requirements.)

#### The Company

Cape Cod Wood Cladding based in Halifax, Nova Scotia is North America's premier manufacturer of pre-finished wood cladding trims and colour-matched accessories, all manufactured under one roof in a completely controlled environment.

By manufacturing wood cladding from a raw piece of wood to a finished product, they can control the quality at each stage of production. It's your assurance of a 100% usable product and one that is pleasing to the eye and environmentally sound.



#### The Timber

Cape Cod cladding is manufactured from hand selected Canadian Lodgepole Pine which is then kiln dried and band sawn to produce a textured face.

Lodgepole Pine works well with hand or power tools and takes nails readily and holds them securely. Lodgepole Pine seasons easily with little shrinkage, and when dry, remains dimensionally stable.

Special kiln drying reduces the moisture content of the wood before processing. The wood's intergrown knots are generally small and sound and readily accept and retain the factory applied coating.

#### Cape Cod is PEFC certified

Using this system, Vincent Timber is able to supply a wide range of materials which are fully compliant with DEFRA. This covers all legal, sustainable and certification requirements to allow architects to specify with total confidence.



**Vincent Timber Ltd**

**8 Montgomery Street, Birmingham B11 1DU**

Tel - 0121 772 5511 Fax - 0121 766 6002 [www.vincenttimber.co.uk](http://www.vincenttimber.co.uk) [sales@vincenttimber.co.uk](mailto:sales@vincenttimber.co.uk)





# Cape Cod Pre-coated Timber Cladding

**Cape Cod solid wood cladding**  
**Quality from Canada with a 15-year coating warranty\***

(\* Warranty subject to correct installation in accordance with manufacturers' requirements.)



## Colours

### Let your imagination go wild

Our designers have selected a wide range of ten standard colours based on current trends and traditional favourites. But if you have something specific in mind, our colour laboratory is fitted with the best technology for capturing your inspiration and ensuring it can be reproduced correctly, every time. This colour match service will give you a colour sample, so you can see exactly how your cladding colour choice will look on your home.

The colour lab saves your colour in an archive so your own colour is still available years later.

#### Standard Colours



Arboretum  
CCS60001



Cape Cod Grey  
CCS20002



Cape Cod Taupe  
CCS70002



Cape Cod Black  
CCS90010



Cape Cod White  
CCS10006



Chesapeake Blue  
CCS8001



Vanilla  
CCS40005



Driftwood Grey  
CCS2003



Sandalwood  
CCS70001



Victorian Grey  
CCS20024

#### Custom Colour Selector



Colours shown on screen may not match product exactly. Please request a printed sample sheet from Cape Cod Cladding.

## Colour Visualisation

Click here to help you visualise how to use Cape Cod Cladding by seeing how the colours look on different types of properties.



Vincent Timber Ltd

8 Montgomery Street, Birmingham B11 1DU

Tel - 0121 772 5511 Fax - 0121 766 6002 www.vincenttimber.co.uk sales@vincenttimber.co.uk



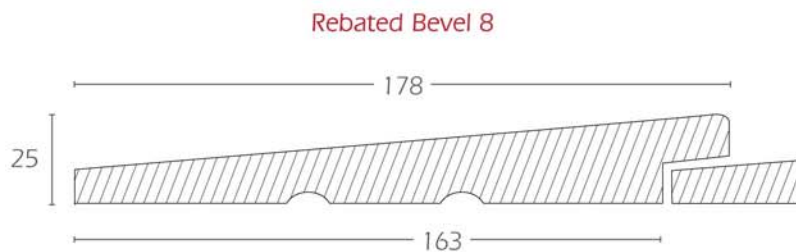
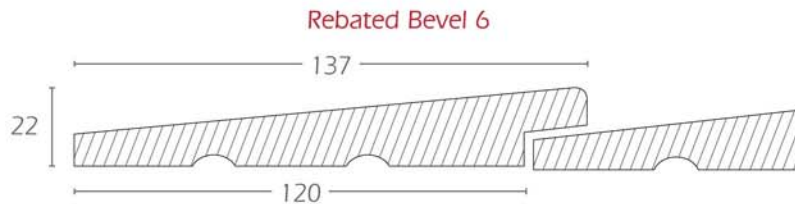


## Cape Cod solid wood cladding Quality from Canada with a 15-year coating warranty\*

(\* Warranty subject to correct installation in accordance with manufacturers' requirements.)

	Horizontal	Vertical
Rebated Bevel	●	
Rebated Euro Channel	●	●
Rebated Shiplap	●	
Rebated V Joint	●	●
Rhombus	●	●
Double Rhombus	●	●
Board on Board/Batten		●

● = approved use



2mm/3mm installation gap is required

Please contact our sales office or your distributor for confirmation of the volumes required for your project. Dimensions may vary due to the hydroscopic nature of timber. Cape Cod reserves the right to alter product dimensions at any time at their discretion.

**Vincent Timber Ltd**

**8 Montgomery Street, Birmingham B11 1DU**

Tel - 0121 772 5511 Fax - 0121 766 6002 [www.vincenttimber.co.uk](http://www.vincenttimber.co.uk) [sales@vincenttimber.co.uk](mailto:sales@vincenttimber.co.uk)



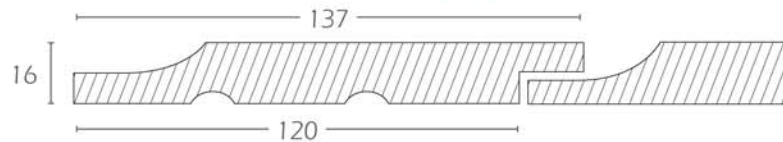


## Cape Cod solid wood cladding Quality from Canada with a 15-year coating warranty\*

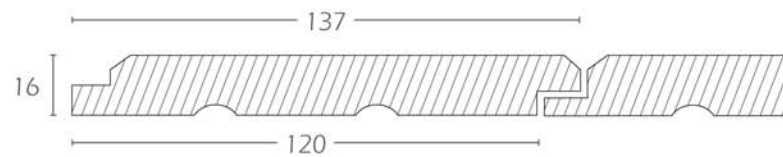
(\* Warranty subject to correct installation in accordance with manufacturers' requirements.)

### Cladding profiles

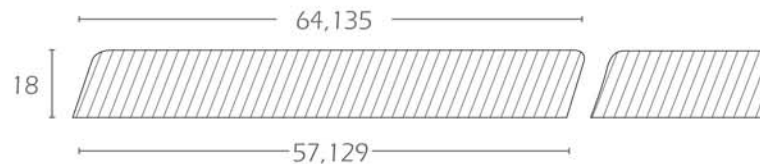
Rebated Shiplap



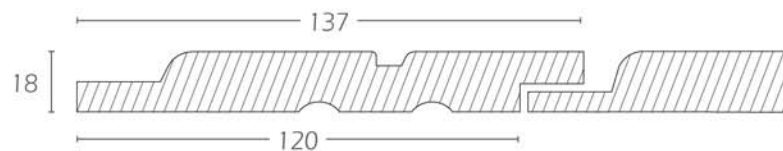
Rebated V-Joint



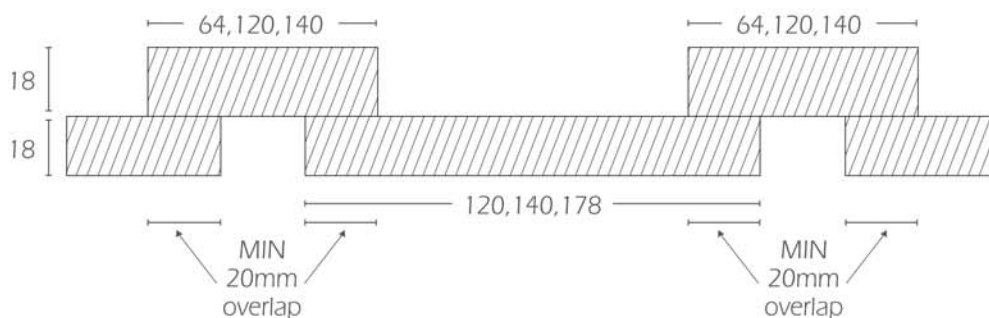
Rhombus



Double Rhombus



Board on Board/Batten



2mm/3mm installation gap is required

Please contact our sales office or your distributor for confirmation of the volumes required for your project. Dimensions may vary due to the hygroscopic nature of timber. Cape Cod reserves the right to alter product dimensions at any time at their discretion.

**Vincent Timber Ltd**

**8 Montgomery Street, Birmingham B11 1DU**

Tel - 0121 772 5511 Fax - 0121 766 6002 [www.vincenttimber.co.uk](http://www.vincenttimber.co.uk) [sales@vincenttimber.co.uk](mailto:sales@vincenttimber.co.uk)



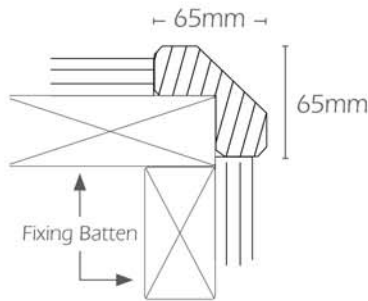


## Cape Cod solid wood cladding Quality from Canada with a 15-year coating warranty\*

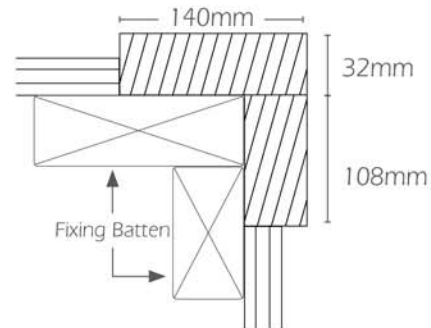
(\* Warranty subject to correct installation in accordance with manufacturers' requirements.)

### Corner profiles

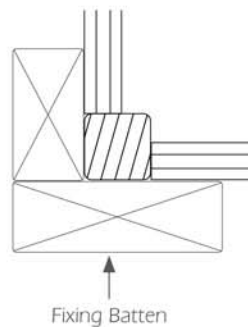
One Piece External Corner  
(35mm x 87mm)



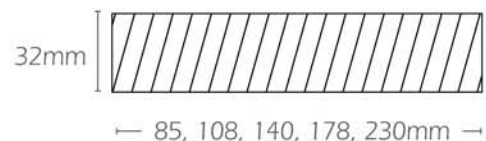
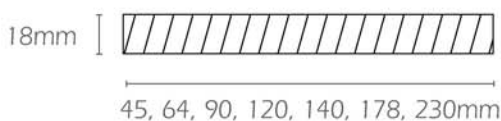
Two Piece Corner  
(32mm x 108mm x 32mm x 140mm)



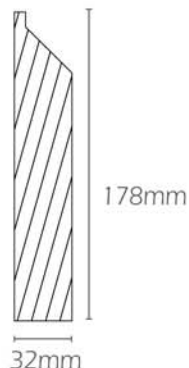
Internal Corner  
(35mm x 35mm)



### Trims



### Skirting / Starter Board



2mm/3mm installation gap is required

Please contact our sales office or your distributor for confirmation of the volumes required for your project. Dimensions may vary due to the hygroscopic nature of timber. Cape Cod reserves the right to alter product dimensions at any time at their discretion.

**Vincent Timber Ltd**

**8 Montgomery Street, Birmingham B11 1DU**

Tel - 0121 772 5511 Fax - 0121 766 6002 [www.vincenttimber.co.uk](http://www.vincenttimber.co.uk) [sales@vincenttimber.co.uk](mailto:sales@vincenttimber.co.uk)





## Cape Cod solid wood cladding Quality from Canada with a 15-year coating warranty\*

(\* Warranty subject to correct installation in accordance with manufacturers' requirements.)

### Why Cape Cod?

#### 15 good reasons to choose wooden cladding by Cape Cod:

- PEFC certified
- Natural look
- Proven resistance to all weather conditions
- Minimal maintenance
- Attractive standard colour range
- Contributes to carbon neutral construction
- Factory coated system with colour matched nails
- Easy to install, only basic tools required
- 15 YEAR COATING WARRANTY
- Complete system includes fascias, trims and corners
- Colour matching service available from a wide choice
- Coated with high performance PPG Olympic machine coat
- Preservative treated timber
- 100% usable
- Wide range of profiles

### The Controlled Production Process





# Cape Cod Pre-coated Timber Cladding

## Cape Cod solid wood cladding

### Quality from Canada with a 15-year coating warranty\*

(\* Warranty subject to correct installation in accordance with manufacturers' requirements.)

#### Installation Tips

# 1

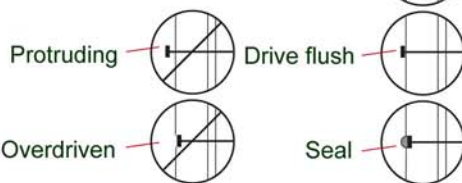
Cladding and trims should be stored on a flat, level surface, off the ground, preferably under cover where possible. Adequate protection from the elements is essential at all times and must be kept dry prior to installation. The plastic packaging, if opened carefully, can be used for protection.

# 2

It is imperative that all cuts, particularly ends, are well sealed with matching touch up paint, prior to fixing. Cladding must be fitted tight to junctions with vertical trims and corners. When 'joining' cladding, square butt joints can be used but improved results will be achieved by an angled mitre cut, particularly at top and bottom of boards on vertical applications.

Incorrect

Correction



# 3

Cladding is installed with Cape Cod colour matched stainless steel nails. When using 63mm nails, the cladding can be fitted at maximum 600mm centres. Boards up to 150mm wide can be fitted with a single nail. Boards over 150mm wide require 2 nails per board. Nail heads to be flush with the surface of the cladding (see illustration).

# 4

Cape Cod requires very little maintenance other than cleaning to remove dirt or algae that may be present. It can be gently hosed down with low pressure if required. Periodic inspection should be carried out for damage or seasoning checks which should be filled and touched up with touch up paint.

Full installation instructions are supplied with each delivery. UK building regulations must be adhered to by specifier and installer.

#### Gallery



Vincent Timber Ltd

8 Montgomery Street, Birmingham B11 1DU

Tel - 0121 772 5511 Fax - 0121 766 6002 www.vincenttimber.co.uk sales@vincenttimber.co.uk

