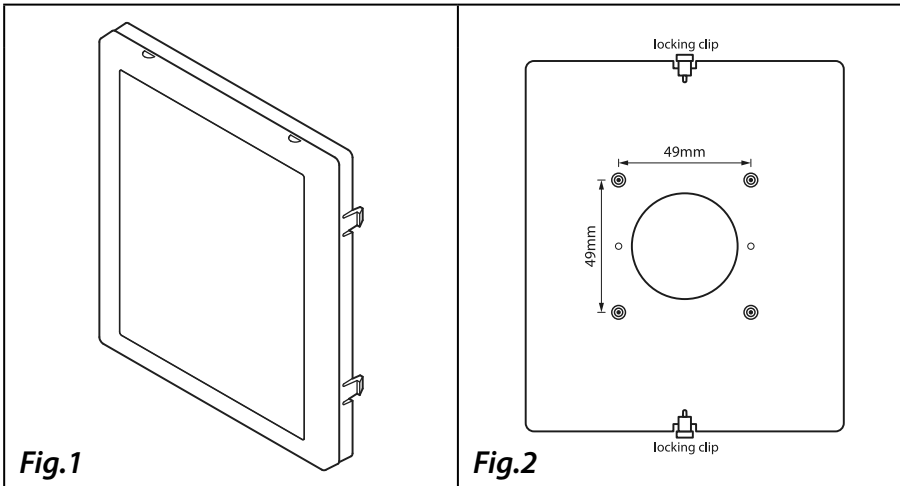


### PROXIMITY READER MOUNTING MODULE

The Art.4846/UK is a proximity reader display module based on the 4000 series range (as shown in **Fig.1**) for mounting 3rd party proximity readers. It has a transparent polycarbonate cover with a mirror finish stainless steel frame (standard finish) with a central window (size 83x103mm) and a proximity display card (96.5x113.5mm).

The internal part of the module comprises of a plastic fixing plate that has locking clips on the top and bottom edge with four central mounting pillars (each 9mm high) which can accommodate a 3rd party proximity reader that has mounting holes positioned in a 49x49mm square spacing (as shown in **Fig.2**).



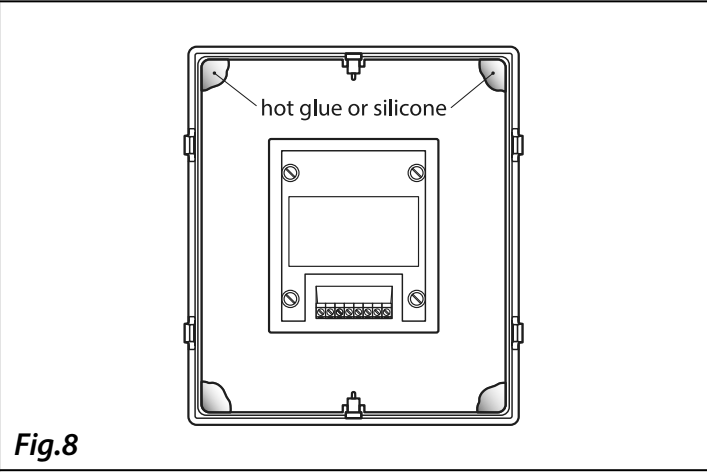
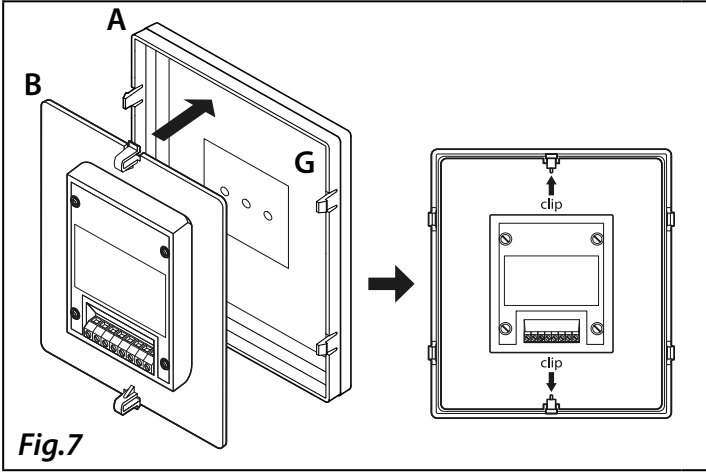
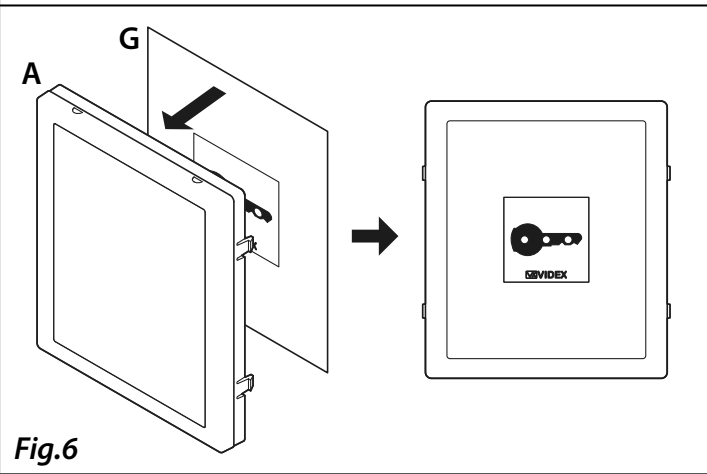
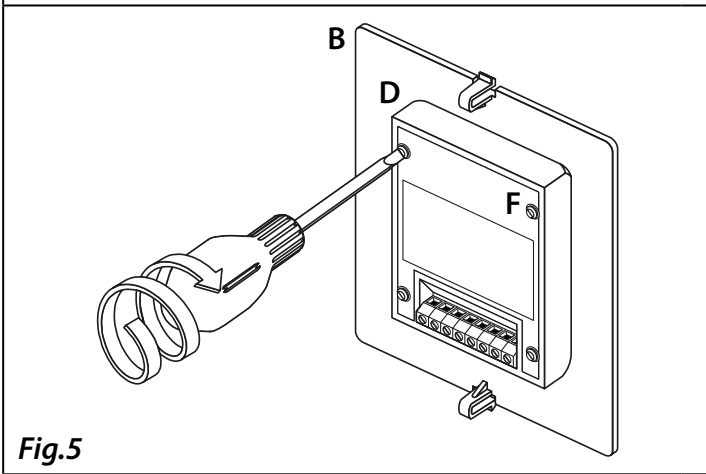
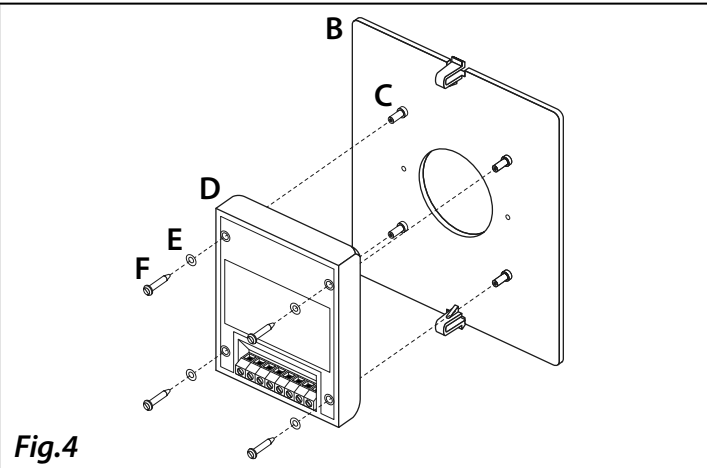
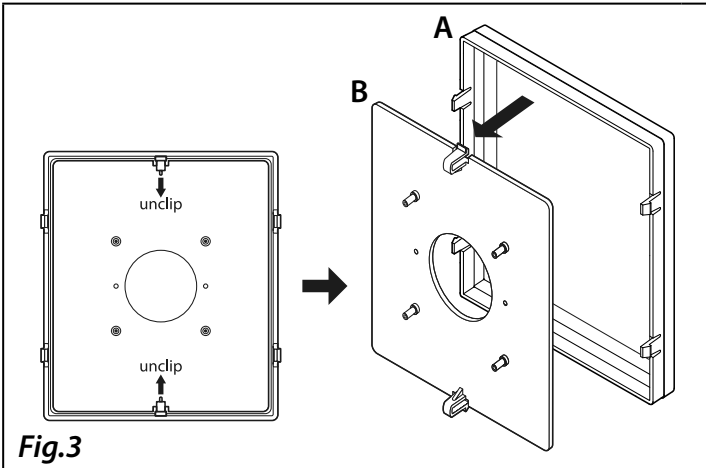
### FIXINGS & ACCESSORIES

Fixings include: 4x12.7mm No.4 self-tapping slotted screws (type AB); 4xM3 flat washers.

Accessories include: 1x adhesive gasket; 3x assorted proximity display cards.

### MOUNTING THE READER

1. In order to mount the reader first unclip the internal fixing plate "B" from the front cover "A", as shown in **Fig.3**.
2. Fit the reader "D" onto the fixing plate "B" over the four mounting pillars "C". Place an M3 flat washer "E" over each mounting hole position on the reader. Feed a self-tapping screw "F" (one for each mounting hole) through the M3 flat washer and through the mounting hole on the reader, as shown in **Fig.4**.
3. Screw the self-tapping screws "F" into position so that the reader "D" is securely mounted onto the fixing plate "B", as shown in **Fig.5**.
4. Take the appropriate proximity display card "G" and place it into the front cover "A" (ensuring it is the correct way up with the graphic facing out so that it can be seen through the transparent polycarbonate window), as shown in **Fig.6**.
5. Ensure the fixing plate "B" (with the mounted reader) is the correct way up and place onto the proximity display card "G". Clip the fixing plate "B" back into position, as shown in **Fig.7**.
6. On the reverse side of the **Art.4846/UK** assembly dab a bead of hot glue or silicone in each corner to help secure it into position, as shown in **Fig.8**.
7. Remove the thin film from the adhesive gasket "H" and fit to the top edge of the **Art.4846/UK** assembly (with the sticky side down), as shown in **Fig.9**.



**CUSTOMER SUPPORT**

**VIDEX SECURITY LTD**

[www.videxuk.com](http://www.videxuk.com)

Tech Line: 0191 224 3174

Fax: 0191 224 1559

Email: [tech@videxuk.com](mailto:tech@videxuk.com)