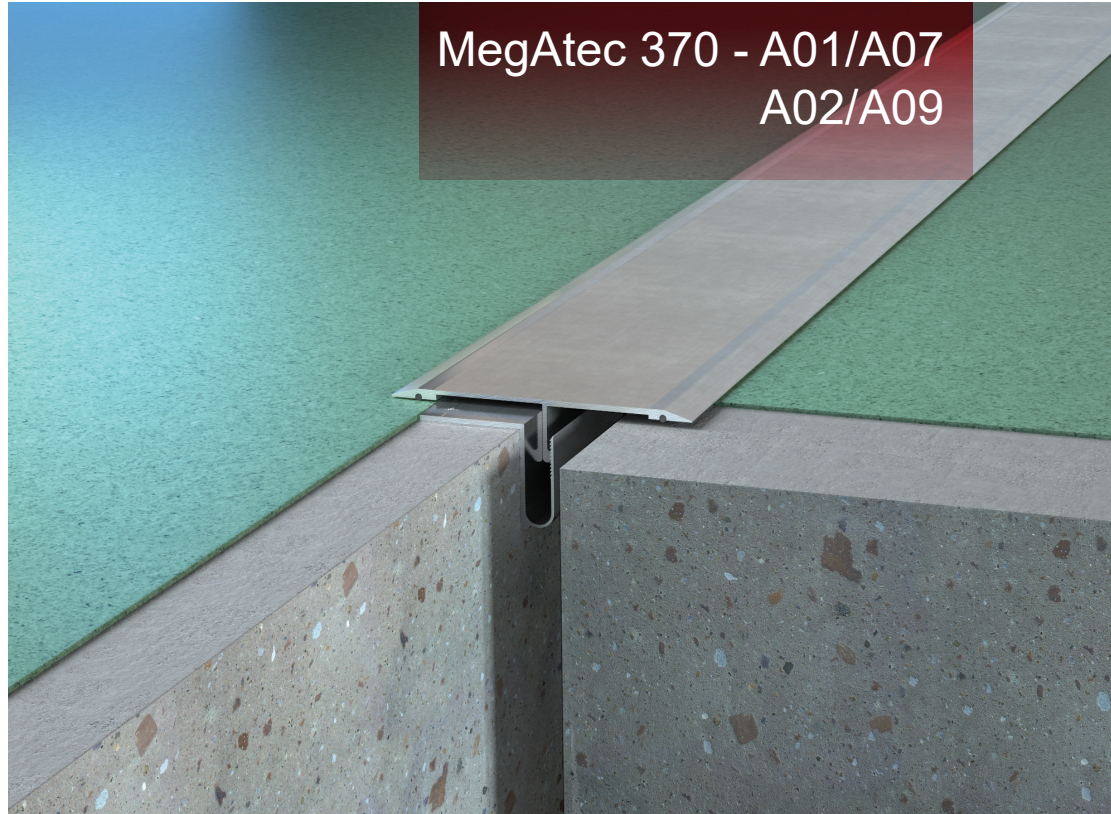


Method Statement

MegAtec 370 - A01/A07
A02/A09



Contents

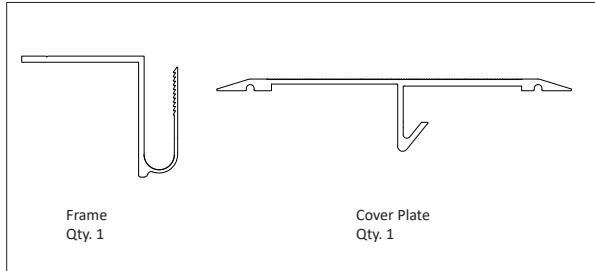
Content	Page No.
Assembly Components	2
Fitting Hardware	2
Before You Start	2-3
Preparation	3
Rebate/ Levelling Bed - If joint needed	4-5
Joint Installation	6-8
Protection	9
Aftercare	9



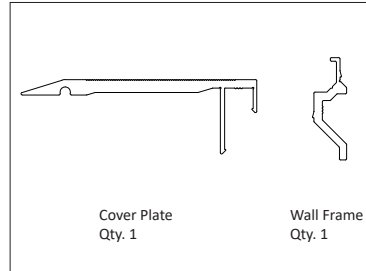
Method Statement

Assembly Contents :

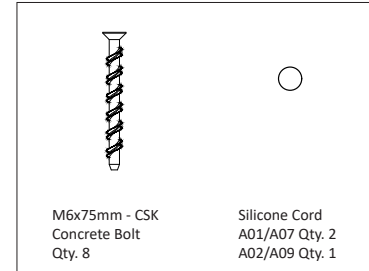
A01/A07



A02/A09



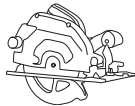
A01/A02/A07/A09



Fitting Hardware :



Metal Measuring
Tape



Evolution saw



Drill



Screwdriver



Drill bit



Spray paint can

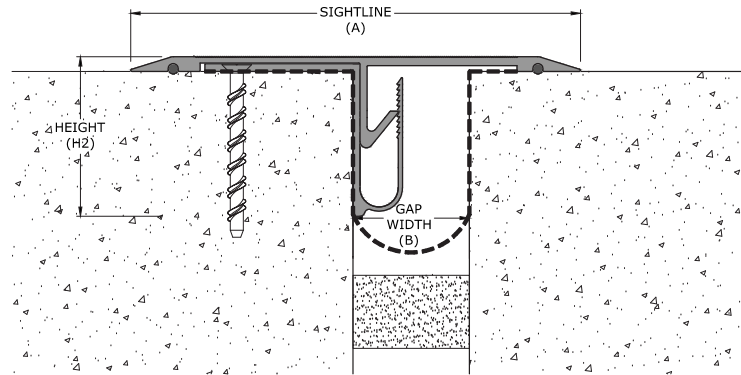
Before You Start :

- Remove joint components from the packaging taking care not to damage exposed surfaces of the profile material.
- Verify that structural gap and block out dimensions are in conformance with submittal data prior to commencing work.

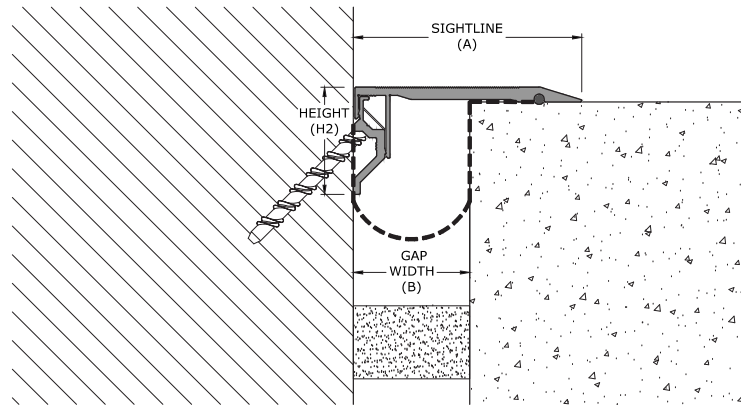
Product Details

Product Number	Sightline A (mm)	Blockout C (mm)
370-A01/7-025	157	34
370-A01/7-050	193	69
370-A01/7-075	231	69
370-A01/7-100	268	69
370-A01/7-150	343	69
370-A02/9-025	62	39
370-A02/9-050	98	46
370-A02/9-075	135	106
370-A02/9-100	173	106
370-A02/9-150	248	106

Megatec 370 : A01/A07



Megatec 370 : A02/A09



Preparation :

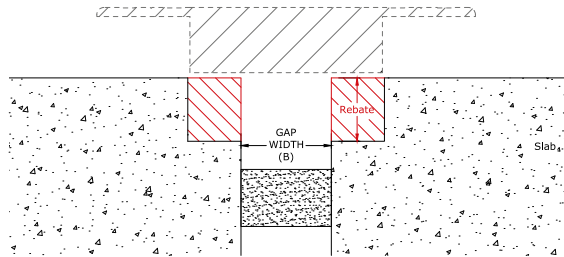
- Ensure that the floor is flat and levelled and debris free.
- The fire barrier and waterproofing membrane must be installed in the structural gap before the architectural joint system. Refer to separate method statement.
- If Waterproofing has been fitted, apply gun-applied resin anchor to each hole. Refer to separate Method Statement.

Rebate : If required for joint

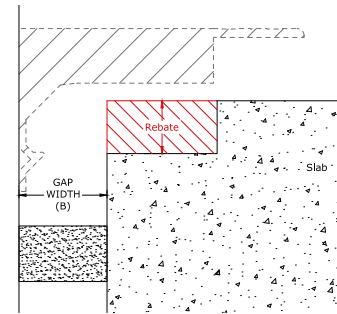
Surface Mounted Rebate

- A rebate may be required in the concrete to allow for the overall width of the blockout of the profile. The width of the rebate must be square to allow for the joint to fit the required width, do not make the rebate bigger than the blockout dimension.
- The rebate must be the full depth of the height of the profile, plus 5-10mm for tolerance.

Floor-Floor



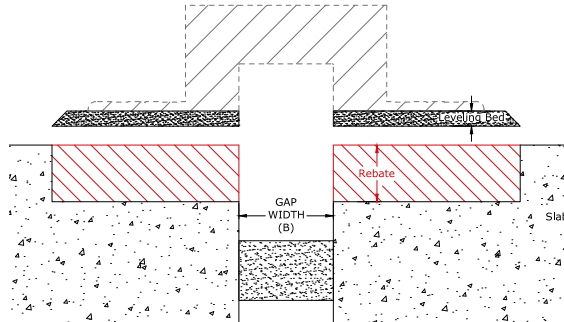
Floor - Wall



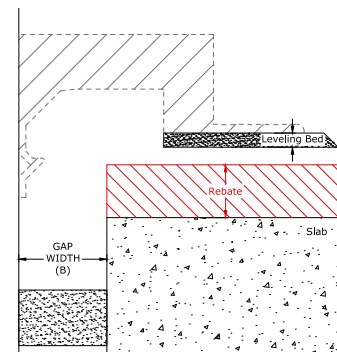
Depth Allowance Rebate

- The depth allowance rebate is required when you do not have enough space within the finishes zone for a standard joint detail.
- A rebate must be made into the concrete slab at the depth of the frame height plus a minimum of 10mm levelling bed minus the floor finish depth.

Floor-Floor

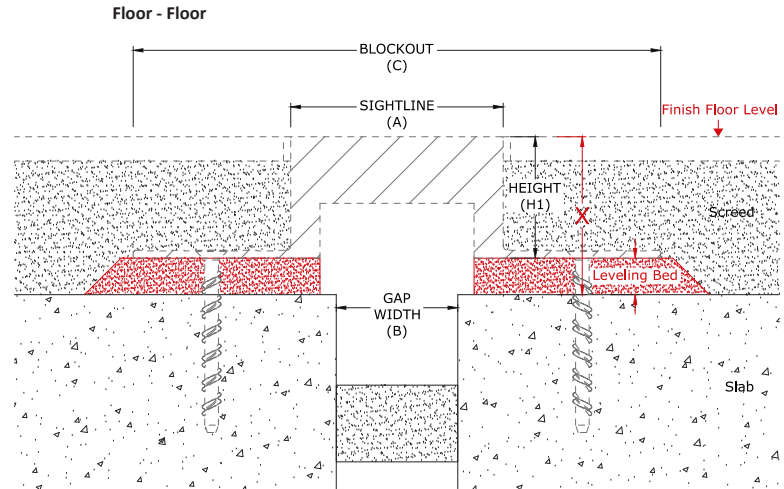


Floor - Wall



Levelling Bed : If required for joint

- Install High Strength mortar levelling bed to achieve a minimum 40N/mm² compressive strength. Minimum depth of Levelling Bed as required by manufacturers Technical Data information.
- Distance from top of Levelling Bed to Finish Floor Level must be equal to the Frame Height.
- If necessary adjust levelling bed to accommodate fire barrier and waterproofing.
- Ensure Levelling Bed is continuous along the full length of the structural gap and is consistent in height.
- Levelling bed width should be no less than Blockout width (C).
- Calculate correct levelling bed depth:
Levelling Bed + Frame Height = X
- Ensure the Levelling Bed has fully cured before drilling and fixing the Frames.

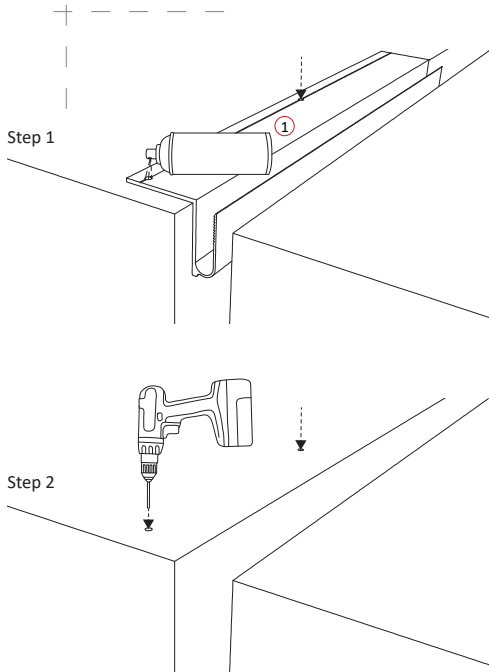


Joint Installation :

Components

- | | |
|-------------------------|---------------------------------|
| (1) Frame | (5) Silicone Cord |
| (2) Wall Frame | (6) M6x75mm - CSK Concrete Bolt |
| (3) Cover Plate A01/A07 | |
| (4) Cover Plate A02/A09 | |

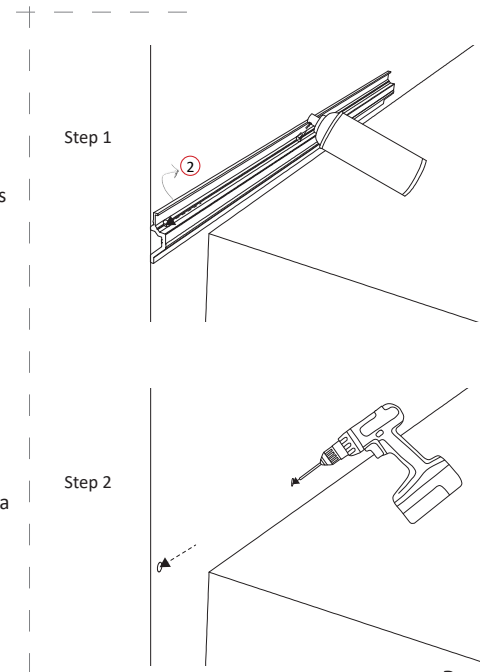
Megatec 370 : A01/A07

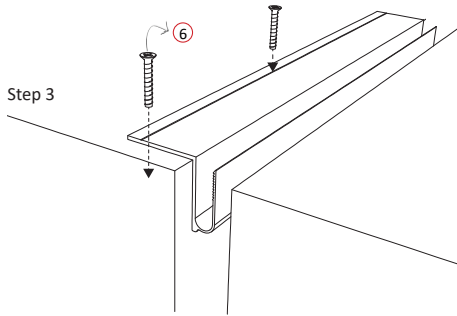


- Place the frames on the levelling bed/ wall at the correct height.
- Mark the holes through the predrilled holes in the frames with spray paint or similar.

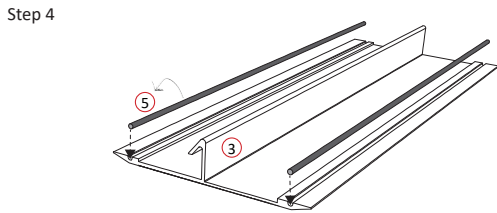
- Remove the frames and drill the holes into the levelling bed/ wall using a 6mm drill at a depth of 80mm.

Megatec 370 : A02/A09

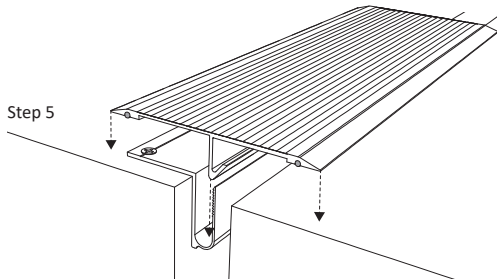




Step 3



Step 4

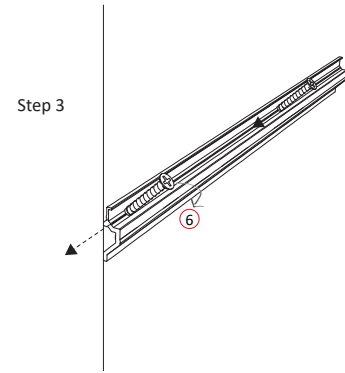


Step 5

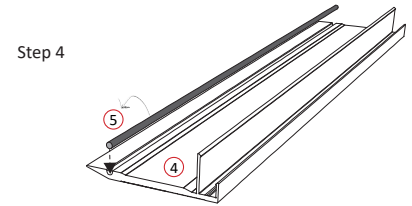
- Replace the frames back upon the levelling bed, fix the frames into place with the M6x75mm concrete screws and tightening at a torque of 25Nm.

- Flip Cover plate upside down.
- Press silicone cord into the cover plate.

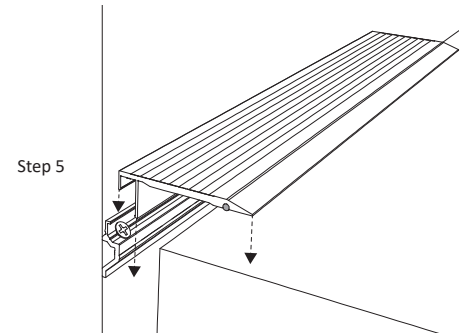
- Flip Cover plate back round.
- Position the cover plate over the frames ensuring it is parallel with the frames.
- Push the cover plate down to click into the correct depth of frame.



Step 3

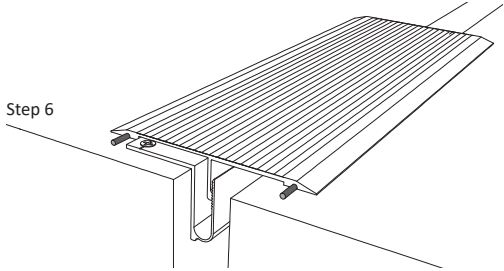


Step 4



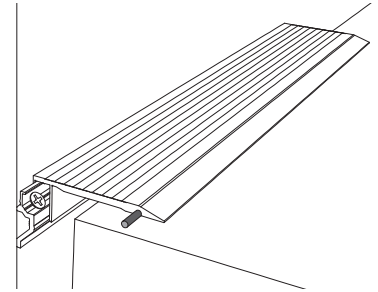
Step 5

Step 6



- The expansion joint system has now been successfully installed. Clean exposed surfaces with non-solvent cleaner as required.

Step 6



Joining Lengths Together

- Ensure ends are squared off to allow joints to lay flush next to each other.
- Measure and neatly cut to length, using a metal chop saw with aluminium cutting saw blade, minimum of 12000 RPM.
- Intersection joints - Refer to intersection method statement.

Protection :

- We recommend the joint is protected at all times from site traffic, prior to handover.
- Leave tape on until surface side of joint is ready to be exposed to avoid scratches and unwanted marks.

After Care :

Cleaning & Maintenance Instructions:

- All joints should be cleaned using a mild detergent.
- Abrasive cleaning regimes should be avoided as this could, over time, cause damage to the joint.

Please do not hesitate to call or email Vexcolt for your enquiries.

T : +44 (0) 20 8194 5999

W : www.vexcolt.com

Sales

E : info@vexcolt.com

Technical

E : technical@vexcolt.com