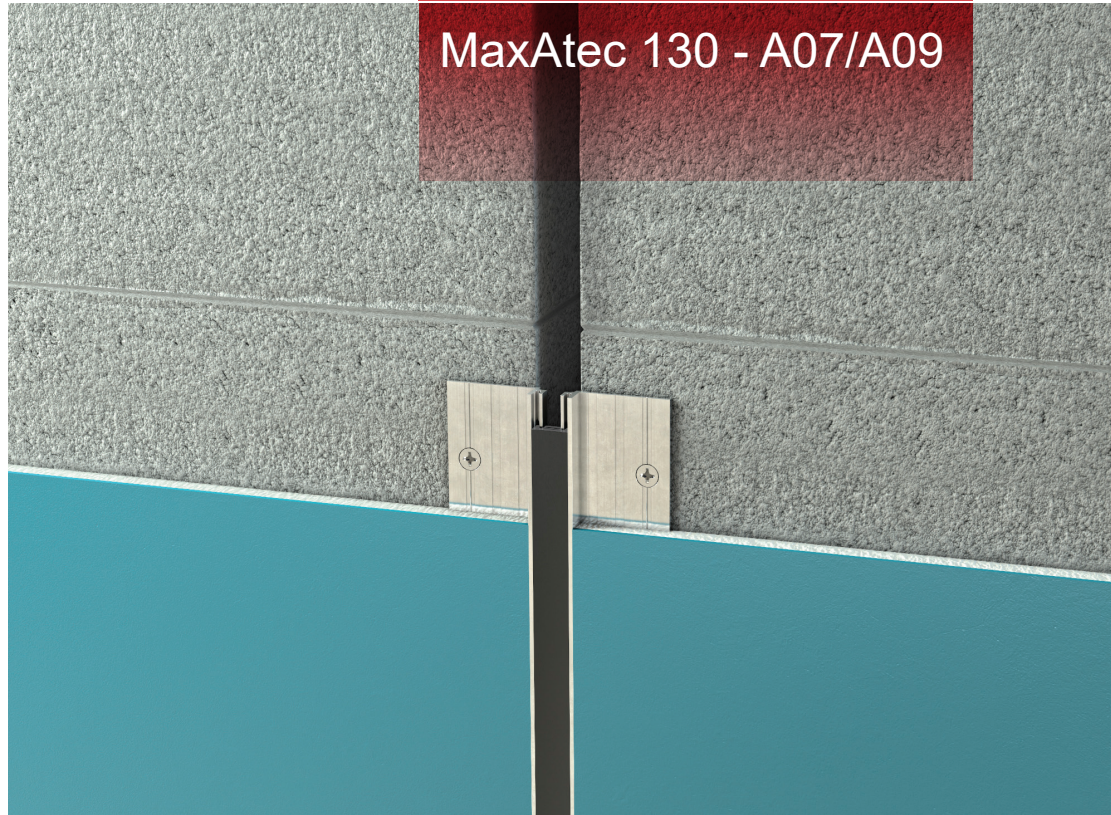


Method Statement

MaxAtec 130 - A07/A09



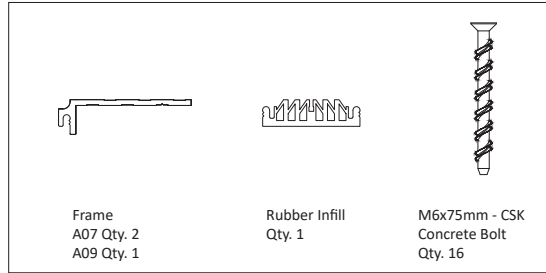
Contents

Content	Page No.
Assembly Components	2
Fitting Hardware	2
Before You Start	2-3
Preparation	3
Joint Installation	4-6
Protection	7
Aftercare	7

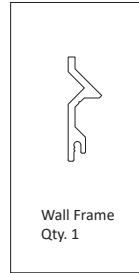


Assembly Contents :

A07/A09



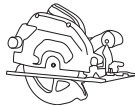
A09



Fitting Hardware :



Metal Measuring Tape



Evolution saw



Drill



Screwdriver



Drill bit



Spray paint can

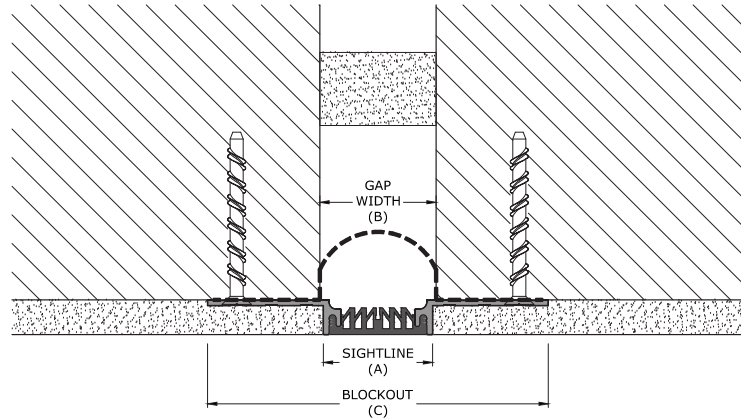
Before You Start :

- Remove joint components from the packaging taking care not to damage exposed surfaces of the profile material.
- Verify that structural gap and block out dimensions are in conformance with submittal data prior to commencing work.

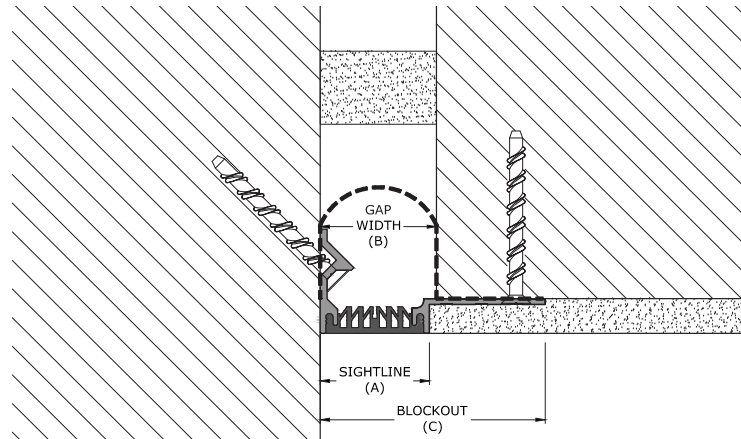
Product Details

Product Number	Sightline A (mm)	Blockout C (mm)
130-A07-025	25	125
130-A07-050	47	147
130-A09-025	25	75
130-A09-050	47	97

Maxatec 130 : A07



Maxatec 130 : A09



Preparation :

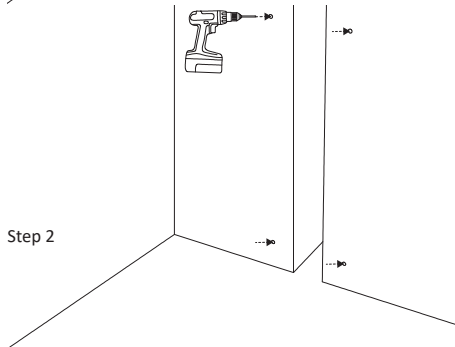
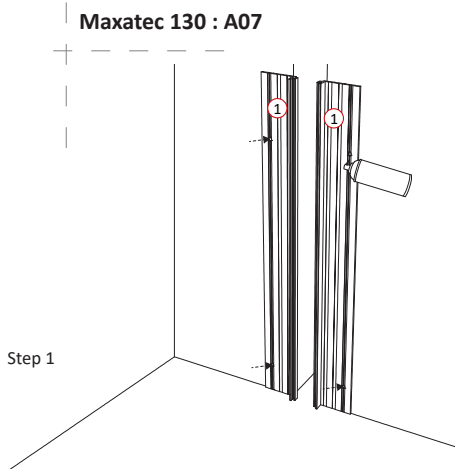
- Ensure that the floor is flat and levelled and debris free.
- The fire barrier and waterproofing membrane must be installed in the structural gap before the architectural joint system. Refer to separate method statement.
- If Waterproofing has been fitted, apply gun-applied resin anchor to each hole. Refer to separate Method Statement.

Joint Installation :

Components

- (1) Frame
- (2) Wall Frame
- (3) Rubber Infill
- (4) M6x75mm - CSK Concrete Bolt

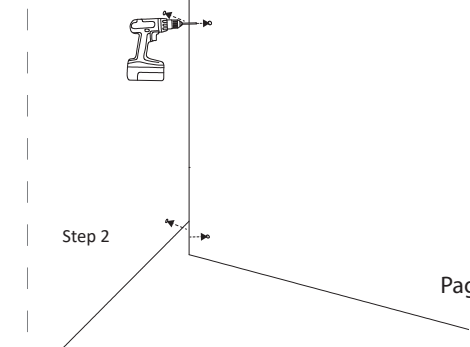
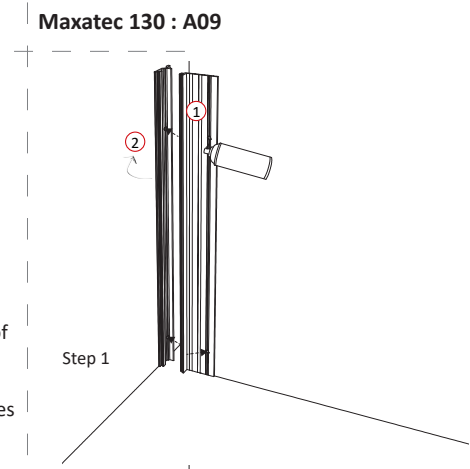
Maxatec 130 : A07



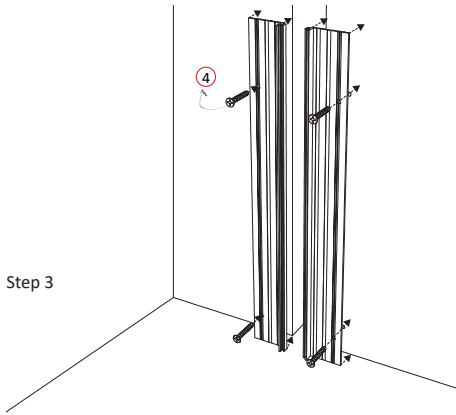
- Place the frames on the wall at the width of the blockout.
- Mark the holes through the pre-drilled holes in the frames with spray paint or similar.

- Remove the frames and drill the holes into the wall using a 6mm drill at a depth of 80mm.

Maxatec 130 : A09

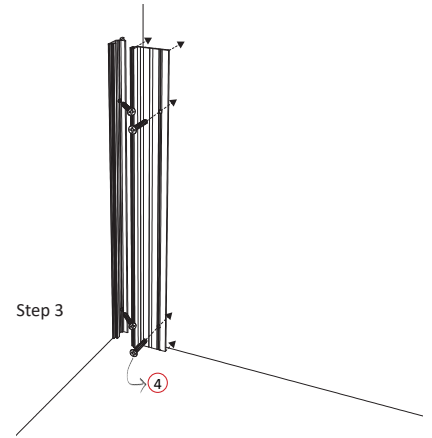


Step 3

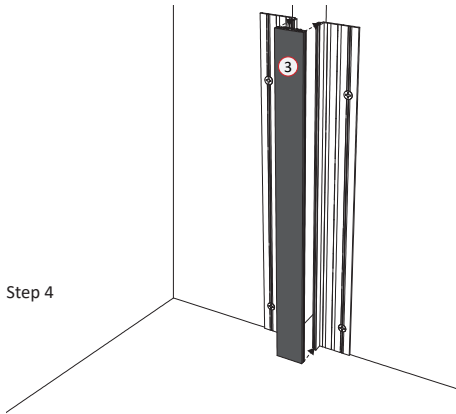


- Replace the frames back upon the wall, fix the frames into place with the M6x75mm concrete screws and tightening at a torque of 25Nm.

Step 3



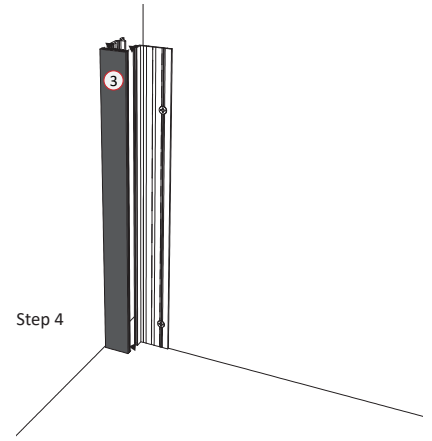
Step 4

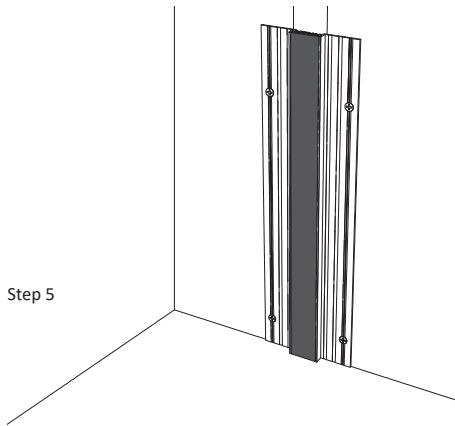


- Insert the rubber infill into the frames, warm soapy water or a roller maybe required to ease the process.

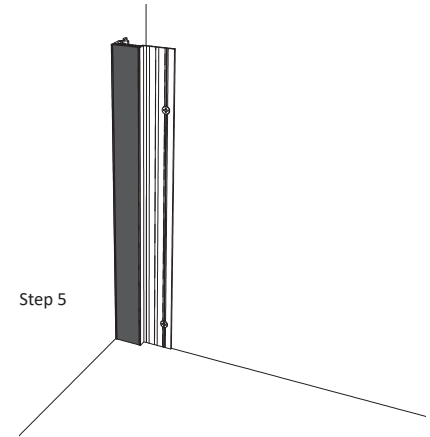
(At this point install the secondary layer of waterproofing on to the joint, lapping onto the frames. If applicable.)

Step 4





- The expansion joint system has now been successfully installed. Backfill the blockout and install floor finish level to the top of the floor frame. Clean exposed surfaces with non-solvent cleaner as required.



Joining Lengths Together

- Ensure ends are squared off to allow joints to lay flush next to each other.
- Heat bond the length of rubber together for a watertight seal, using a Teflon coated plate.
- Intersection joints - Refer to intersection method statement.
- Measure and neatly cut to length, using a metal chop saw with aluminium cutting saw blade, minimum of 12000 RPM.

Protection :

- We recommend the joint is protected at all times from site traffic, prior to handover.
- Leave tape on until surface side of joint is ready to be exposed to avoid scratches and unwanted marks.

After Care :

Cleaning & Maintenance Instructions:

- All joints should be cleaned using a mild detergent.
- Abrasive cleaning regimes should be avoided as this could, over time, cause damage to the joint.

Please do not hesitate to call or email Vexcolt for your enquiries.

T : +44 (0) 20 8194 5999

W : www.vexcolt.com

Sales

E : info@vexcolt.com

Technical

E : technical@vexcolt.com