

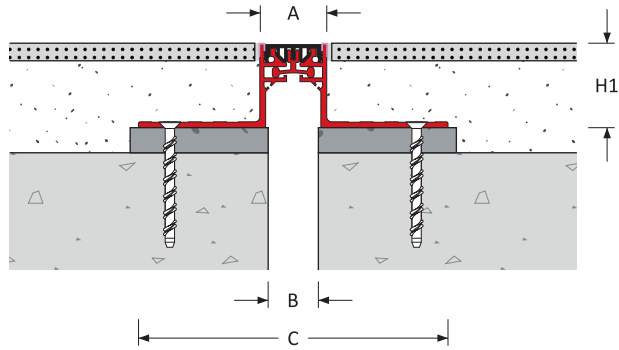
SINGLE-SEAL EXPANSION JOINT

Floor to Floor | Floor to Wall

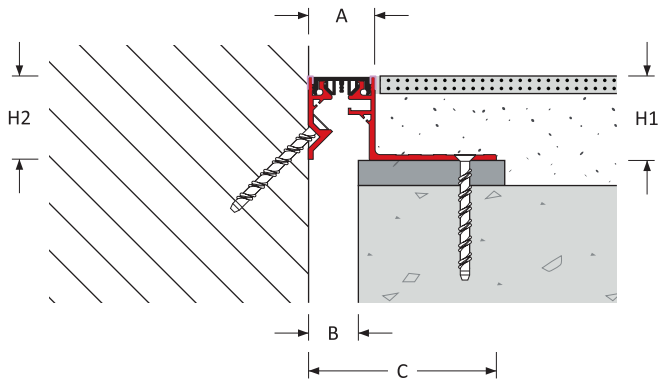
30 - 75 mm (1 1/4 - 3") Expansion Gaps

MaxAtec 100 : S01/S02

MaxAtec 100 : S01



MaxAtec 100 : S02



Expansion Joint Selection Criteria

Load Rating

Product Details

Joint Location	Gap Width B (mm)	Movement Capacity (mm)		Eurocode Rating				Product Dimensions			Product Number	
		±	[Total]					Height		Sightline		Blockout
								H1 (mm)	H2 (mm)	A (mm)	C (mm)	
Floor - Floor	30	± 5	[10]	5 kN	46 kN	-	-	26: 36: 51: 71	-	41	185	100-S01-030-(H1)
	50	± 10	[20]	2 kN	31 kN	-	-			72	216	100-S01-050-(H1)
	75	± 15	[30]							94	238	100-S01-075-(H1)
Floor - Wall	30	± 5	[10]	5 kN	46 kN	-	-	26: 36: 51: 71	51	41	113	100-S02-030-(H1)
	50	± 10	[20]	2 kN	31 kN	-	-		76	72	144	100-S02-050-(H1)
	75	± 15	[30]						94	94	166	100-S02-075-(H1)

When specifying or ordering please add the **height (H1)** required to the Product Reference.
For example MaxAtec 100 : S01-030-051 denotes a joint 51mm high.

Complementary Systems

Internal Wall - 100 : S07-S09

Features

Surface

Smooth surface

Centre supported and Americans with Disabilities Act (ADA) compliant across the entire movement cycle

Movement

Good movement capacity

ASTM E-1399 Class I: Thermal

Class II: Wind

Traffic Frequency per day

				
≤ 25,000	≤ 10	≤ 10	-	-

System Options

Gap width(s)	30, 50, 75 mm
Height(s)	26, 36, 51, 71 mm
Metal type(s)	Aluminium
	Stainless Steel cappings
Seal colour(s)	Black, Grey, Stone
Fire barrier	120-240 minutes
Waterproofing	Moisture barrier
Pre-assembly in factory	Contact Vexcolt



MaxAtec 100 : S01/S02



APPLICATIONS

Airport Terminals | Educational | Exhibition Centres
 Department Stores | Distribution & Retail Warehouses
 Factories | Hospitals | Museums | Offices & Hotels
 Parking | Places of Worship | Residential Buildings
 Rail, Metros & Elevated Rail Stations | Roads & Bridges
 Shopping Centres | Sports Stadiums | Supermarkets