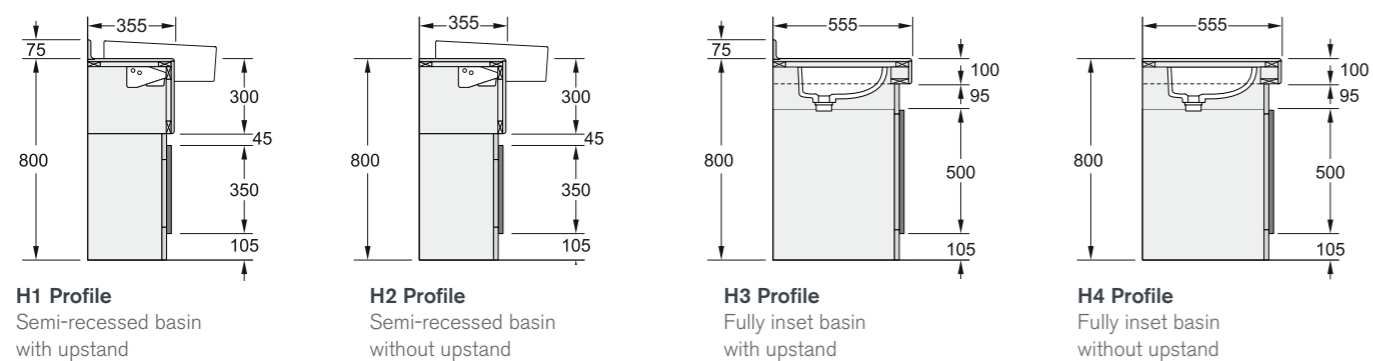
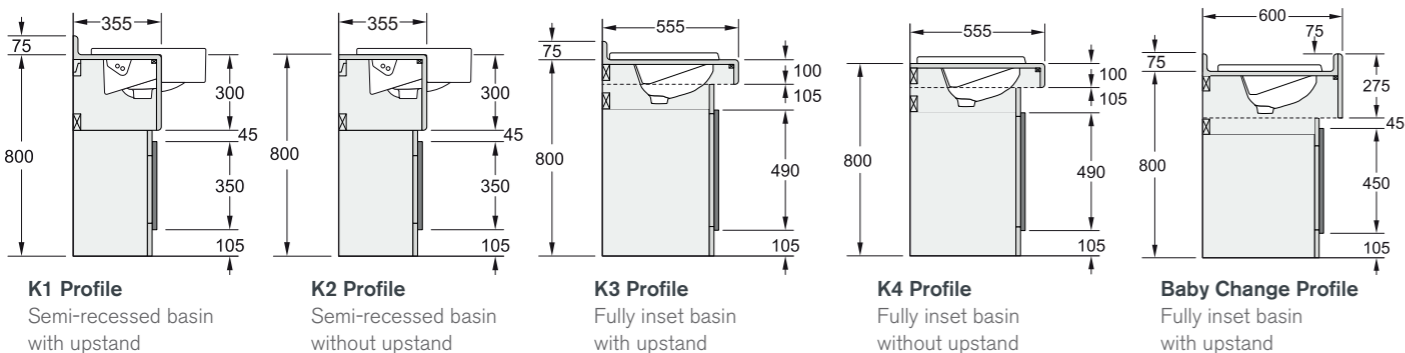


Technical Specifying Vanities

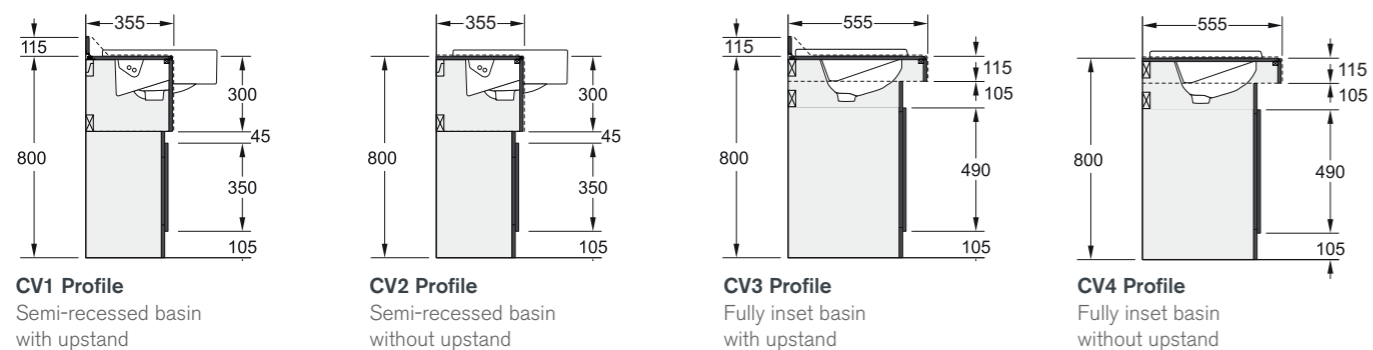
Solid Surface 13mm blend of acrylic polymer minerals with integral moulded-in-reinforcements that provide impact and thermal shock resistance. Suitable for heavy duty applications. Maximum single Solid Surface vanity unit length is 3000mm.



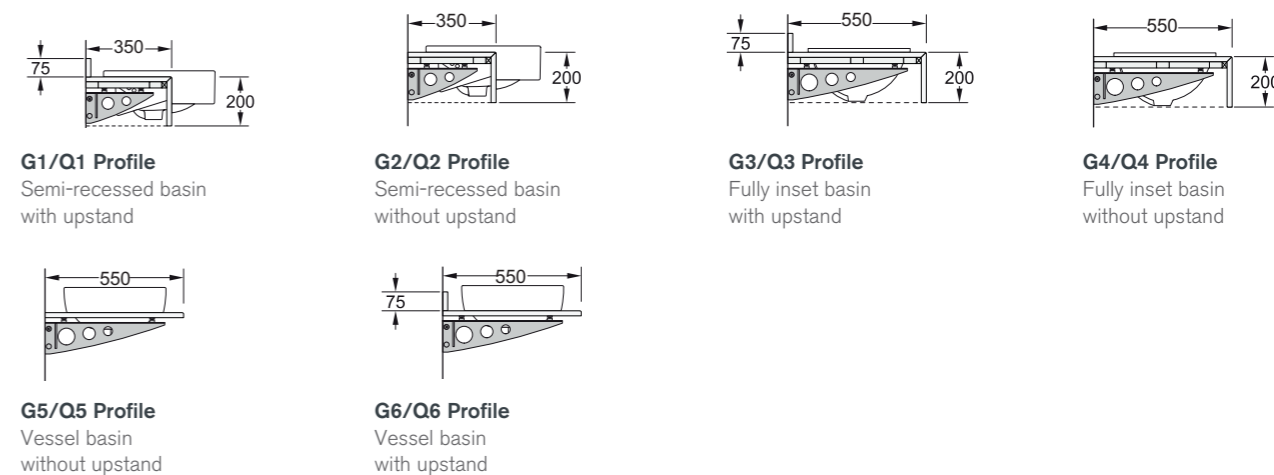
HPL For light and medium duty applications. High performance moisture resistant chipboard faced with high pressure laminate with post-forming to horizontal edges of under panels. Vertical edges are lipped with ABS. Maximum single HPL vanity unit length is 2770mm.



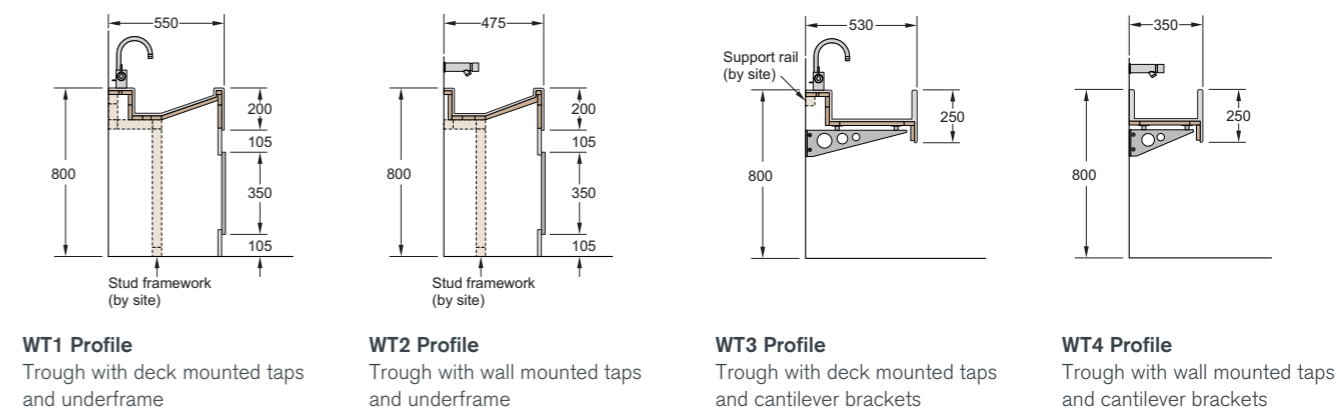
SGL Suitable for wet and heavy duty applications. 13mm nominal thickness with polished black radiused edges. SGL vanities come with powder coated aluminium extrusions in Satin Anodised Aluminium or Black Anodised Aluminium. Maximum single SGL vanity unit length is 2750mm.



Granite and Quartz Maximum single Granite vanity unit length is 2200mm. Maximum single Quartz vanity length is 2400mm.



Solid Surface Washtrough Maximum single solid surface washtrough length is 3000mm.



Light Pelmets

All fixing brackets included. Broken line indicates return end detail.

