

Vanities We've created a vanities collection that's contemporary in style and highly functional. Whether you're looking to create a prestigious, luxury finish or something simple and understated, our collection has everything you need.



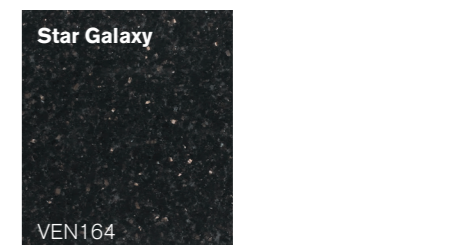
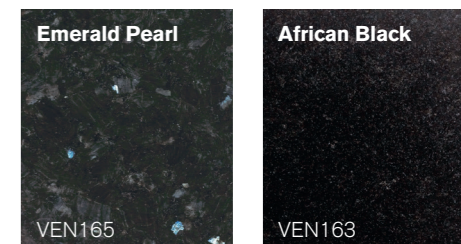
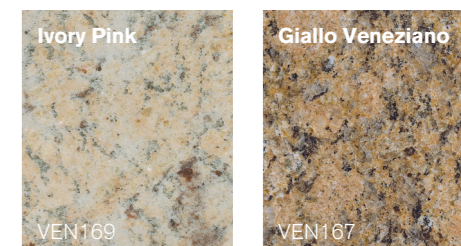
Vanities Granite

Step into the rare and distinctive world of natural stone with granite. The perfect solution for your most exclusive and prestigious design solutions, granite comes with a choice of basins and brassware.



Key features

- Granite offers exclusivity and individuality
- A choice of seven finishes
- Extremely durable and hardwearing
- A choice of designer basins and brassware
- Resistant to heat, scratches and chips



01 Granite vanity in Ivory Pink with Cherwell basins and Jasper Morrison mixer taps.

02 Granite vanity in Emerald Pearl with Jasper Morrison vessel basins and Jasper Morrison mixer taps.

Main image Granite vanity in African Black with Concept semi-recessed basin and monoblock mixer taps.

To view the range of granite vanity profiles please turn to p207..

Vanities Quartz

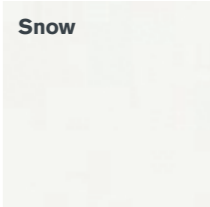




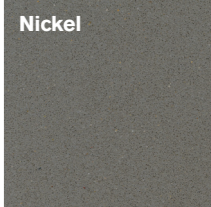
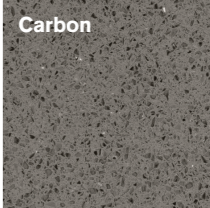
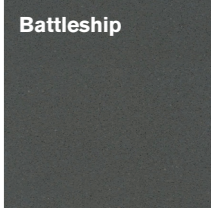
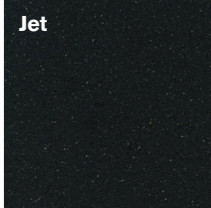
Dramatic and durable - that's quartz. This natural finish vanity surface combines the high-class look and feel of natural quartz with a resin composite for maximum durability. In short, a fabulous choice for maximum impact.



Key features

- Natural quartz with resin composite for maximum durability
- Stunning visual impact
- A choice of nine on-trend finishes
- Available with complementary basins and cantilever support brackets
- Resistant to heat and scratching
- Non-porous surface



<p>Snow</p>  <p>VEN381</p>	<p>Frost</p>  <p>VEN384</p>
<p>Dolomite</p>  <p>VEN383</p>	<p>Nougat</p>  <p>VEN382</p>
<p>Luna</p>  <p>VEN385</p>	<p>Nickel</p>  <p>VEN386</p>
<p>Carbon</p>  <p>VEN387</p>	<p>Battleship</p>  <p>VEN388</p>
	<p>Jet</p>  <p>VEN389</p>

01 Quartz vanity with Jasper Morrison vessel basin and Jasper Morrison mixer taps.

02 Quartz vanity with Marlow basins and Jasper Morrison mixer taps.

Main image Quartz vanity with bespoke downstand. White vessel basin and silver wall mounted mixer taps.

To view the range of quartz vanity profiles please turn to p207.

Vanities Solid Surface

For luxury, strength and a smooth, seamless finish, our Solid Surface solution wins hands down. The carefully composed blend of acrylic polymer minerals and integral moulded reinforcements create a low maintenance, non-porous material which ensures complete impact and thermal shock resistance.



Key features

- Sleek, solid material ensures consistency and durability
- A choice of twelve on-trend finishes
- Integral bowl option offers a seamless finish
- Offers flexibility and space efficiency
- A non-porous material that resists stains and bacteria
- Impact-resistant and required very little maintenance

To view the range of solid surface vanity profiles please see p206-207.



01

01 Solid surface vanity with Concept Sphere vessel basins and silver monoblock mixer taps.

02 Solid surface vanity with Concept Sphere semi-recessed basins and silver dual lever monoblock mixer taps.

Main image
Solid surface stepped washtrough with Aquarius A45 sensor taps.

Vanities SGL

The most demanding washroom environments need durable and hard-working solutions to match. Solid Grade Laminate (SGL) is built to last and is totally impervious to water. Plus, it comes in a choice of 34 on-trend colours.



Key features

Hard-working 13mm nominal thickness SGL

Ultimate performance for demanding environments

Totally impervious to water

Suitable for wet and dry environments

Curved aluminium extrusions provide a smooth finish to the vanity upstand and downstand

Available in 34 colour options

A choice of vanity profiles

01 SGL vanity with Orbit basins and Avon pillar taps.

Main image
SGL vanity with Concept Sphere semi-recessed basins and Avon 21 mixer taps.



To view the range of SGL vanity profiles please turn to p206.

Vanities HPL

High Pressure Laminate (HPL) is highly economical, delivering top marks on finish and design and a superb choice for any dry environment. Ensuring maximum choice, it comes with a selection of vanity profiles and in a choice of 34 colours.



Key features

An ideal solution for any dry environment
Quality manufacturing and design at an economical price
Available in 34 colour options
Choice of vanity profiles
Further options of low level and children's screen prints available

To view the range of HPL vanity profiles please turn to p206.



01

01 Lollipop vanity unit with semi-recessed basins and Piccolo 21 pillar taps.

02 Baby change unit with Orbit basins and Tratto lever monoblock taps.

Main image

HPL vanity with Orbit basins and Sensorflow 21 taps.



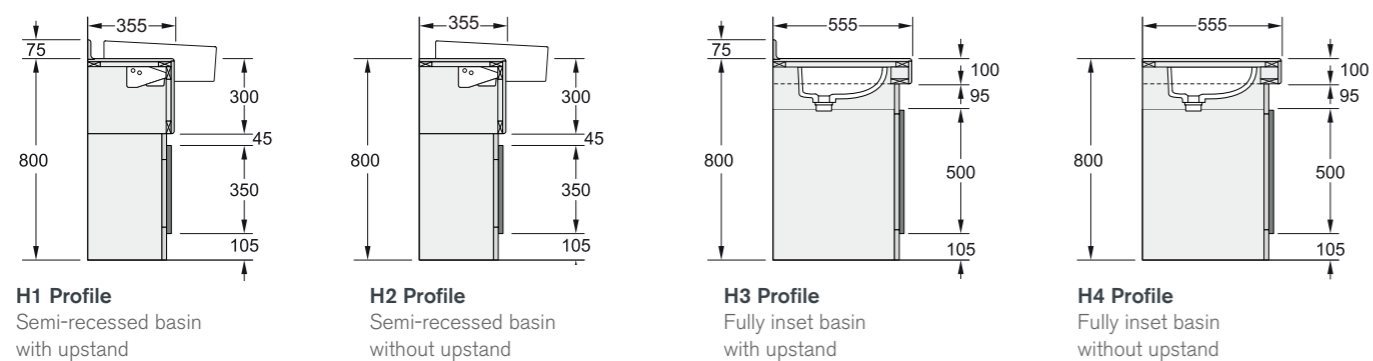
02

Key features

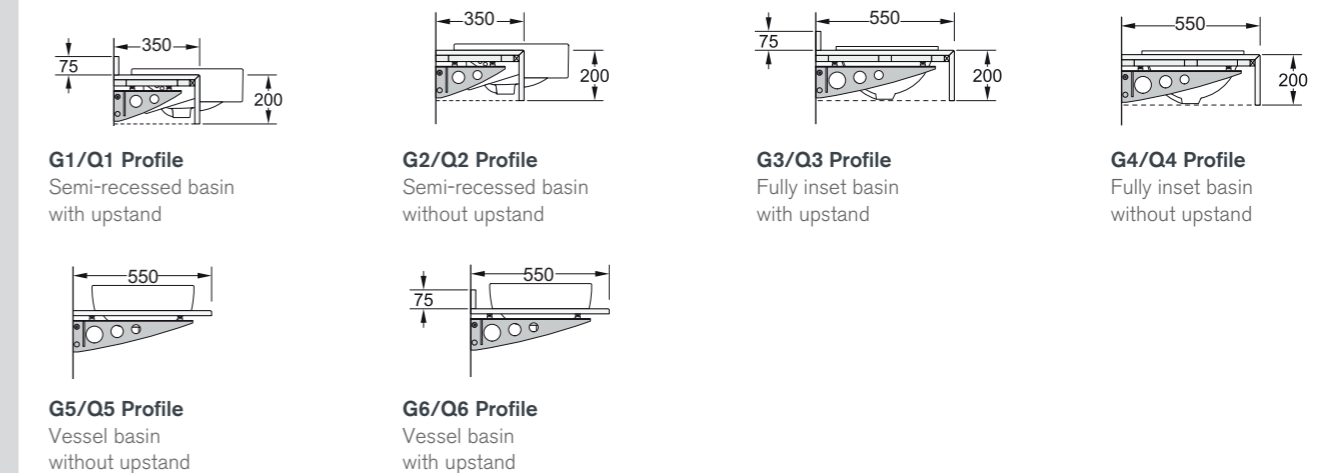
Anti-roll front upstand
Quality manufacturing and design at an economical price
Available in 34 colour options

Technical Specifying Vanities

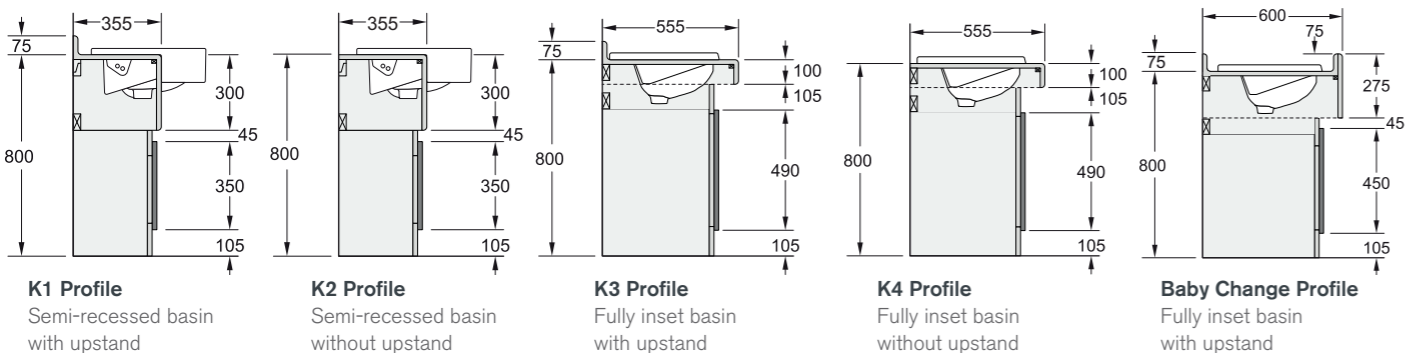
Solid Surface 13mm blend of acrylic polymer minerals with integral moulded-in-reinforcements that provide impact and thermal shock resistance. Suitable for heavy duty applications. Maximum single Solid Surface vanity unit length is 3000mm.



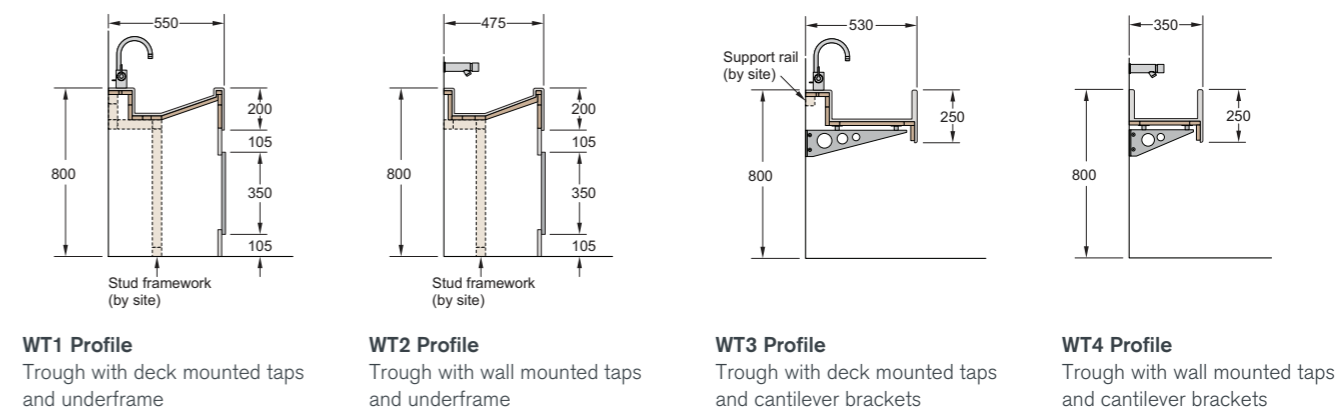
Granite and Quartz Maximum single Granite vanity unit length is 2200mm. Maximum single Quartz vanity length is 2400mm.



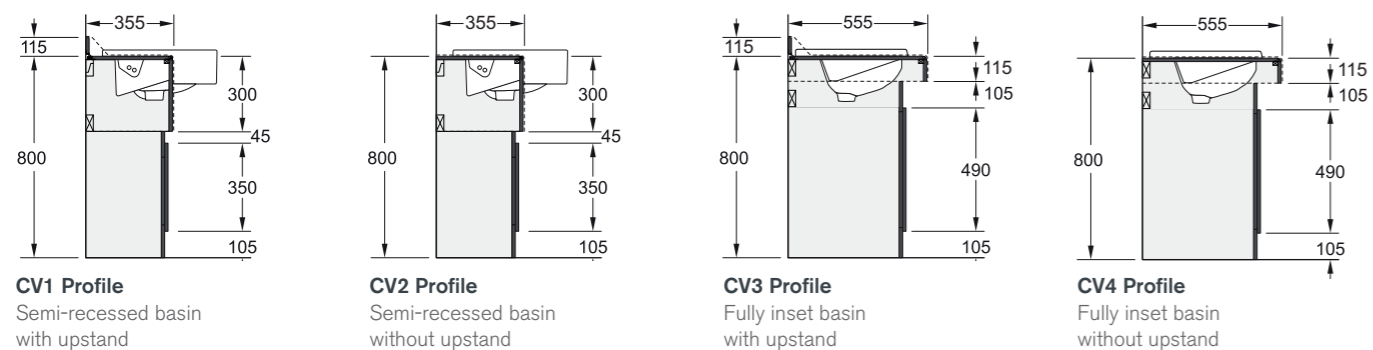
HPL For light and medium duty applications. High performance moisture resistant chipboard faced with high pressure laminate with post-forming to horizontal edges of under panels. Vertical edges are lipped with ABS. Maximum single HPL vanity unit length is 2770mm.



Solid Surface Washtrough Maximum single solid surface washtrough length is 3000mm.



SGL Suitable for wet and heavy duty applications. 13mm nominal thickness with polished black radiused edges. SGL vanities come with powder coated aluminium extrusions in Satin Anodised Aluminium or Black Anodised Aluminium. Maximum single SGL vanity unit length is 2750mm.



Light Pelmets

All fixing brackets included. Broken line indicates return end detail.

