



Applications

Wall-hung WC pan support frame designed for use against flat walls and in corners; ideal for most domestic and commercial applications.

Water Saving

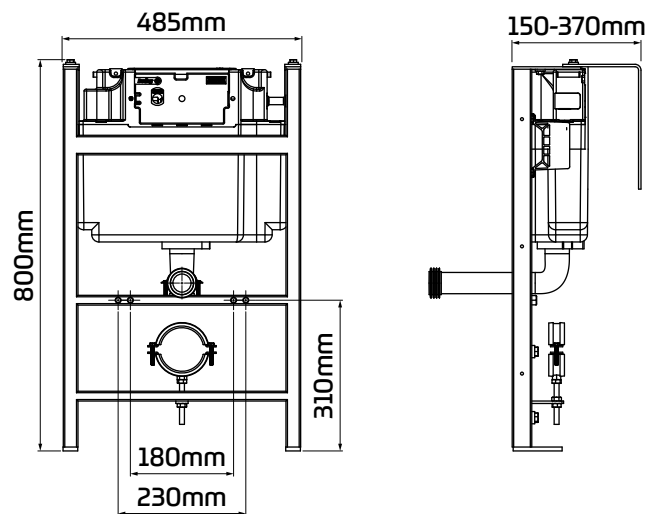
- ~ Vantage cistern
- ~ Provides 6/4 litre dualflush and quickly and easily converts before or after installation to 5/3 or 4/2.6 litre dualflush
- ~ 6 litre single flush also available
- ~ Delay fill Hydroflo inlet valve only allows cistern to start refilling once flushing is complete
- ~ European Water Label Scheme approved
- ~ Supports BREEAM.

Features

- ~ Wall and floor fixing brackets can be fixed through 180 degrees and 360 degrees respectively to simplify installation
- ~ Legs adjust to offer WC pan height fixing flexibility
- ~ Strong steel tubular section construction
- ~ Blue painted finish and galvanised wall and floor brackets
- ~ Passes 400Kg load test based on EN 997
- ~ Flushbend and WC pan connector clamps
- ~ Integral factory fitted Dudley Vantage cistern
- ~ Floor and WC pan fixing bolts included.



Dimensional Data



Technical Data

Operation	Pneumatic
Pneumatic tube length	750mm
Inlet	Side
Outlet	Valve
Fixing orientation	Wall and floor fixed
Load capacity	Tested to 400KG