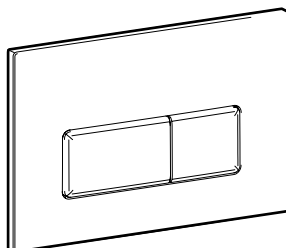
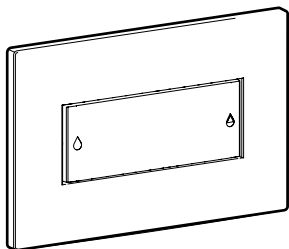
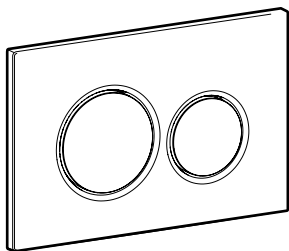


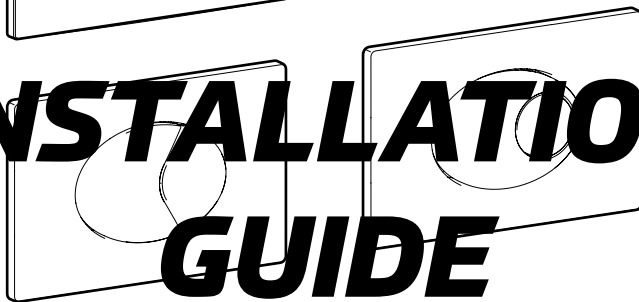
Dudley

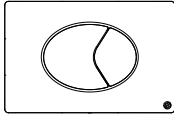


FLUSH PLATES
DUAL FLUSH PNEUMATIC

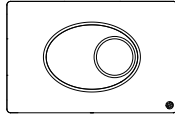


INSTALLATION GUIDE

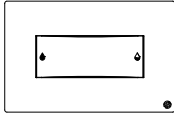




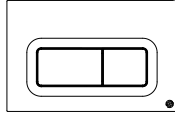
OYSTER



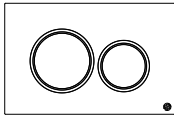
PEBBLE



CORAL



REEF



DRIFT

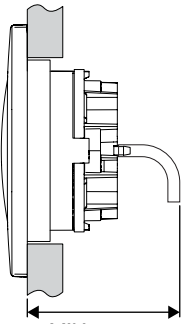
REFERENCE DIMENSIONS



OYSTER



PEBBLE



MIN. 80mm
RECOMM. DEPTH
CLEARANCE



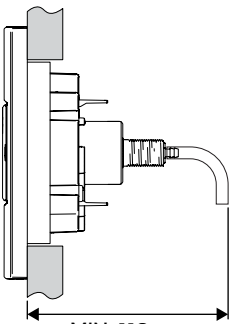
CORAL



REEF

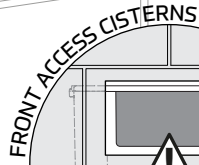
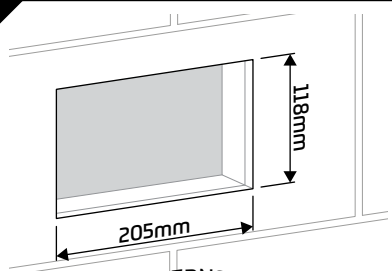


DRIFT

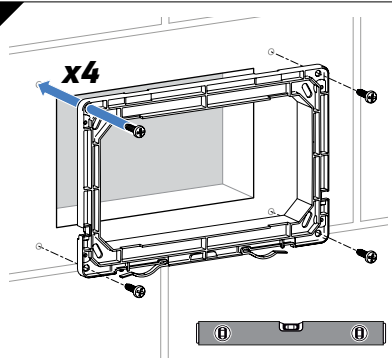


MIN. 110mm
RECOMM. DEPTH
CLEARANCE

1

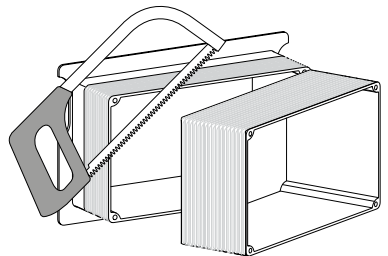


2



3

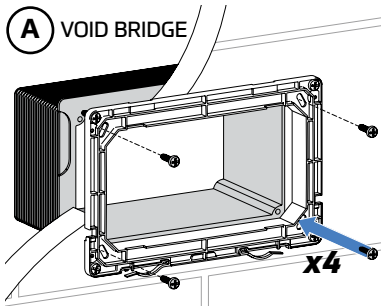
TUNNEL INSTALL (IF REQUIRED)



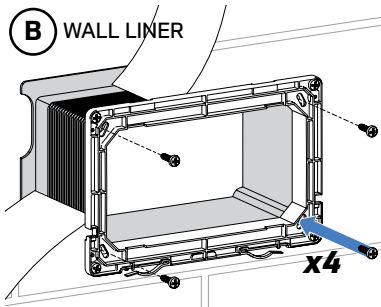
3

CONTINUED...

A VOID BRIDGE

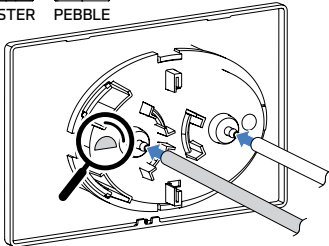


B WALL LINER

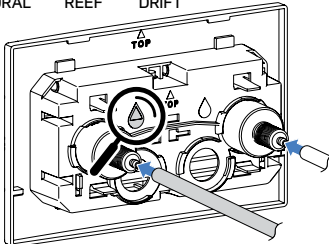


4

OYSTER PEBBLE

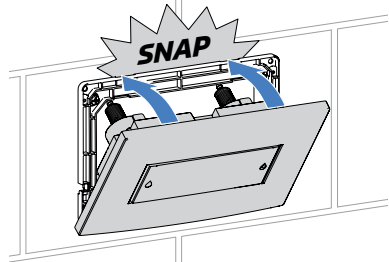
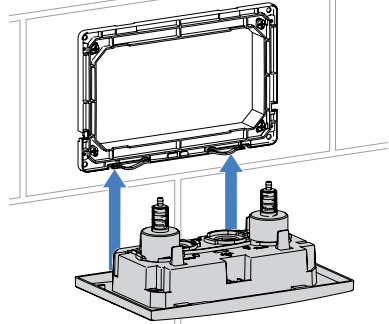


CORAL REEF DRIFT

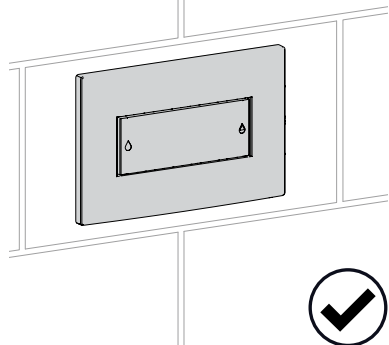


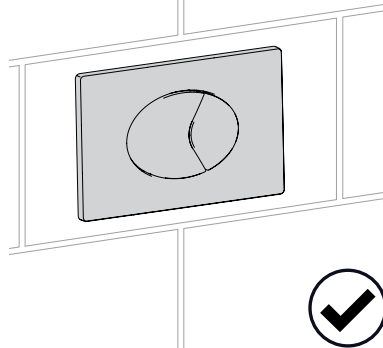
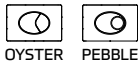
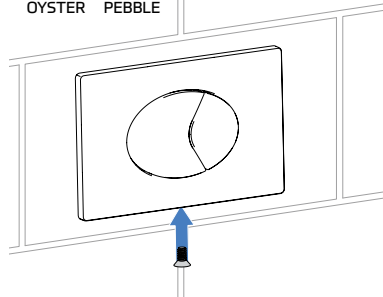
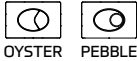
5

CORAL REEF DRIFT OYSTER PEBBLE



CORAL REEF DRIFT



5**CONTINUED...****6****Final Installation Checklist**

- ~ Check flush valve instructions for correct valve connection procedure.
- ~ Ensure air tubes are connected securely and routing is free from kinks and acute bends.
- ~ Check full and reduced flush operation.
- ~ Visit www.tyde.co.uk for service & maintenance information.

TYDE

295 Birmingham New Road
 Dudley, West Midlands
 United Kingdom
 DY1 4SJ

A Thomas Dudley Business

t +44 (0)121 557 5411

f +44 (0)121 557 5345

e info@tyde.co.uk

w www.thomasdudley.co.uk/tyde

© 2021 TYDE_SISLF323195_11282 Iss G

TYDE
 fluid
 movement