

SPIKE

SPIKE is an elegant IP65 outdoor product suitable for lighting of trees, bushes, monuments, etc. It is designed for outdoor landscape applications with IP65 protection rating and stainless steel screws.

The product is supplied with a built-in driver with cable entry point at the rear of the product.

SPIKE is available with different beam angle options to suit your lighting application. The product is designed to direct the light using the tilt and rotation system.

The standard product is supplied with a spike. A base mounted option is available on request.

The product has a built-in cowl for glare control. Optional honeycomb louvre is available for applications requiring further reduction in glare.



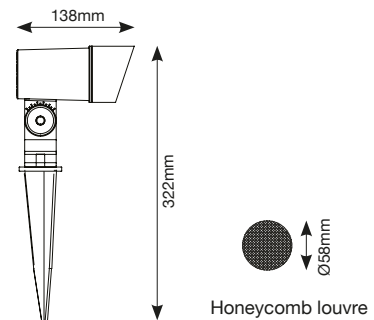
Colours Available

Cool White - 5000K
Neutral White - 4000K
Warm White - 2700K, 3000K

Optics Available

30°, 50°

Technical Specification	
System Power Consumption	7W
LED Power Consumption	5W
Luminaire Luminous Flux @3000K	428lm
Driver	Integral
Tilting and Rotation	110° Tilt and 360° Rotation
Input Voltage	100-240V AC
Housing	Die-Cast Aluminium
Body Finish	Dark Grey
Diffuser	Tempered Glass
Optional Accessories	Honeycomb Louvre
Weight	0.75kg
IP Rating	IP65
Lamp Life L70	50,000 hours
Operating Ambient Temp.	-20°C to +50°C



Product Code

TRY - SPIKE - 7W - 27K - 30 - IP65
 30K 50
 40K
 50K
 Red
 Blue
 Green

Accessories:
 TRY - SPIKE - ACC - LV (Honeycomb louvre)

Product Code Example:
 TRY-SPIKE-7W-30K-30-IP65

As part of our continuous product development we reserve the right to amend these specifications without prior notice.

Tryka L.E.D. Ltd., Unit 3 Station Works, Station Road, Shepreth, Nr. Royston, Herts, U.K SG8 6PZ. Tel: +44 (0) 1763 260666 www.tryka.com