

PIVOT 6

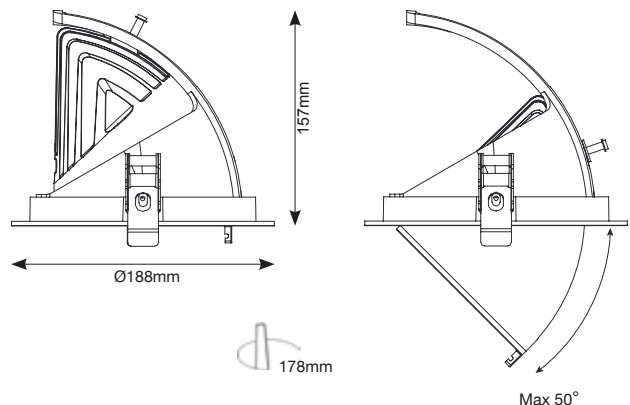


The TRYKA PIVOT series is the adjustable downlight designed to accentuate displays in interiors. The uniquely designed housing and integrated heat management offers elegant styling. The design of the reflector and lens combination enables beam patterns ranging from narrow to wide beam.

PIVOT6 has a spring actuated locking mechanism that helps in smooth movement and positioning of the optical head. The fixture features 350° rotation.

Due to the excellent colour rendering properties, constant colour quality throughout the service life and high visual comfort coupled with high energy efficacy it is the perfect solution for illuminating shopping malls, shop displays, show rooms, hotels and other commercial lighting applications.

The fixture is available with various dimming options - Triac, 1-10V, DALI and non-dimmable.



Technical Specification	
System Power Consumption	50W
LED Power Consumption	42.5W
CRI	Ra80+ Standard Ra95 Optional
Luminaire Luminous Flux	4700lm (27K) 4900lm (30K) 5000lm (40K) 5000lm (50K)
Driver	Remote
Adjustability	50° Tilt 350° Rotation
Housing	Die-Cast Aluminium
Trim	Die-Cast Aluminium White
Baffle Finish	White, Black
Dimensions	188mm Dia
Weight	1.33kg
IP Rating	IP43
Lamp life L70	50,000 hours
Operating Ambient Temp.	-10°C to +40°C

Colours Available

Cool White - 5000K
Neutral White - 4000K
Warm White - 2700K, 3000K

Optics Available

15°, 24°, 36°

Product Code

TRY - PIVOT6 - 50W - 27K - 15 - WHITE* - IP43
 30K 24 BLACK
 40K 36
 50K

*Baffle colour

Note: Please choose appropriate driver from Tryka range.

Product Code Example:

TRY-PIVOT6-50W-30K-24-WHITE-IP43

As part of our continuous product development we reserve the right to amend these specifications without prior notice.

Tryka L.E.D. Ltd., Unit 3 Station Works, Station Road, Shepreth, Nr. Royston, Herts, U.K SG8 6PZ. Tel: +44 (0) 1763 260666 www.tryka.com