

PIVOT 5



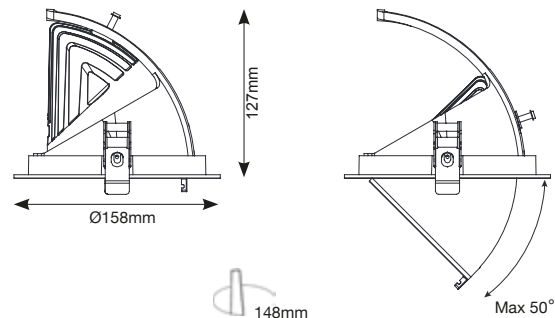
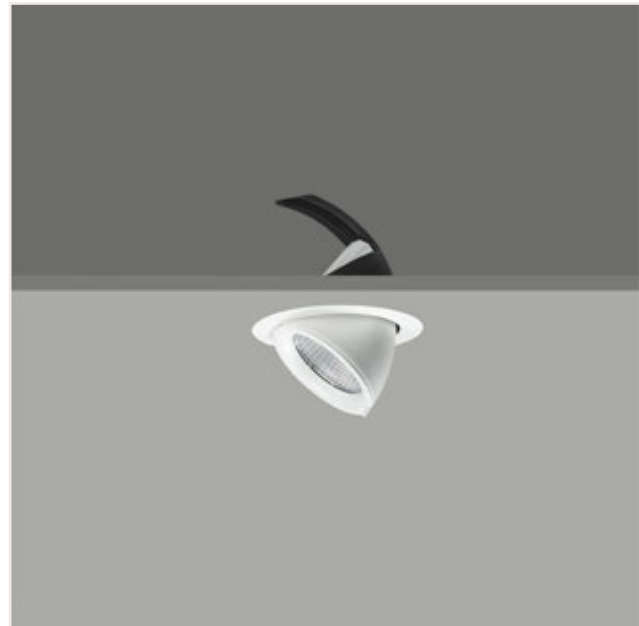
The TRYKA PIVOT series is the adjustable downlight designed to accentuate displays in interiors. The uniquely designed housing and integrated heat management offers elegant styling. The design of the reflector and lens combination enables beam patterns ranging from narrow to wide beam.

The TRYKA PIVOT5 is an adjustable downlight designed to accentuate displays in interiors. The uniquely designed housing and integrated heat management offers elegant styling. The design of the reflector and lens combination enables beam patterns ranging from narrow to wide beam.

Specification of a high quality LED ensures PIVOT5 meets the challenging demands of professional lighting applications.

PIVOT5 has a spring actuated locking mechanism that helps in smooth movement and positioning of the optical head. The fixture features 350° rotation.

The fixture is available with various dimming options - Triac, 1-10V, DALI and non-dimmable.



Technical Specification

System Power Consumption	38W
LED Power Consumption	32.3W
CRI	Ra80+ Standard Ra95 Optional
Luminaire Luminous Flux	3200lm (27K) 3350lm (30K) 3600lm (40K) 3600lm (50K)
Driver	Remote
Adjustability	50° Tilt 350° Rotation
Housing	Die-Cast Aluminium
Trim	Die-Cast Aluminium White
Baffle Finish	White, Black
Dimensions	158mm Dia
Weight	0.8kg
IP Rating	IP43
Lamp life L70	50,000 hours
Operating Ambient Temp.	-10°C to +40°C

amend these specifications without prior notice.

Tryka L.E.D. Ltd., Unit 3 Station Works, Station Road, Shepreth, Nr. Royston, Herts, U.K SG8 6PZ. Tel: +44 (0) 1763 260666 www.tryka.com



Colours Available

Cool White - 5000K
Neutral White - 4000K
Warm White - 2700K, 3000K

Optics Available

15°, 24°, 36°

Product Code

TRY - PIVOT5 - 38W - 27K - 15 - WHITE* - IP43
 30K 24 BLACK
 40K 36
 50K

*Baffle colour

Note: Please choose appropriate driver from Tryka range.

Product Code Example:
 TRY-PIVOT5-38W-30K-24-WHITE-IP43