

MINISPOT 45



MINISPOT45 is a circular spotlight designed with smaller aperture for low glare architectural lighting applications.

The fixture is uniquely designed with a built-in light engine and ultra narrow aperture. Excellent colour rendering properties, constant colour quality throughout the service life and high energy efficacy ensures the perfect solution for accent lighting applications and displays.

Available with a wide range of colour temperatures, beam angles and dimming options to suit your requirements.

Please order drivers separately.



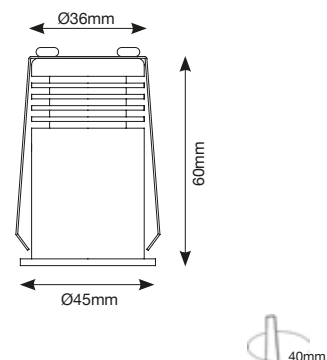
Colours Available

Cool White - 5000K
Neutral White - 4000K
Warm White - 2700K, 3000K

Optics Available

15°, 24°, 36°

Technical Specification		
System Power Consumption	3W	5W
CRI	Ra80+ Standard Ra95 Optional	
Luminaire Luminous Flux	190lm	325lm
Driver	Remote	
Adjustability	Fixed	
Housing	Aluminium	
Baffle Finish	Black	
Trim Finish	Aluminium, White	
Weight	0.09kg	
Dimensions	45mm Dia x 60mm H	
Cutout opening	40mm Dia	
IP Rating	IP20	
Lamp life L70	50,000 hours	
Operating Ambient Temp.	-10°C to +40°C	



Product Code

TRY - MINISPOT45 - 3W - 27K - 15- IP20
5W 30K 24
40K 36
50K

Note: Please choose appropriate driver from Tryka range.

Product Code Example:

TRY-MINISPOT45-3W-30K-24-IP20

As part of our continuous product development we reserve the right to amend these specifications without prior notice.

Tryka L.E.D. Ltd., Unit 3 Station Works, Station Road, Shepreth, Nr. Royston, Herts, U.K SG8 6PZ. Tel: +44 (0) 1763 260666 www.tryka.com

