

# 25W AND 40W LED WALLPACK



40W



25W



Industry standard 70w and 150w wallpacks/ bulkheads now have truly viable LED alternatives from Tryka.

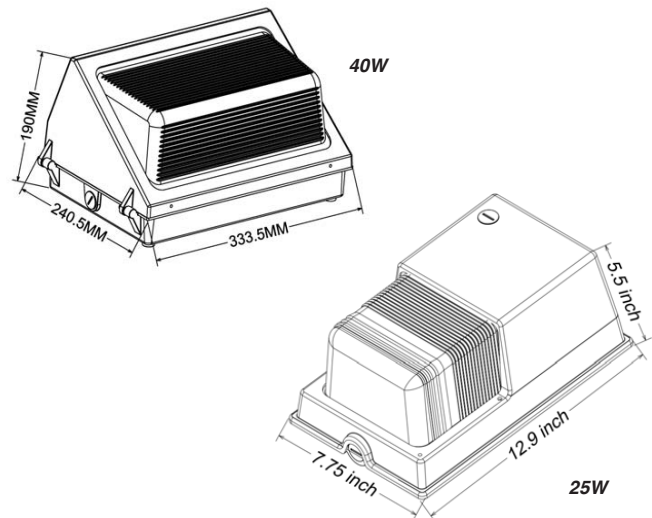
Offering a five year guarantee, great energy savings and class leading brightness, the Tryka 25W and 40W LED Wallpacks promise up to 15 years of maintenance-free operation.

### Features and Benefits

- Cree LEDs
- 50,000 Hour Meanwell Driver
- Black Powder Coated Aluminium Cast Housing
- Heat and Impact Resistant Glass Diffuser/Lens
- Instant ON(TM) flicker-free Cold Start and Hot Re-Start
- High Power Factor, Low THD Driver
- Concealed continuous gasket seals against harmful dust, dirt, moisture and insects
- Patented LED engine design with Advanced Thermal Management
- Cert. of Driver: UL/cUL
- Cert. of fixture: UL/cUL Listed
- 5 year warranty

### Technical Specification

<b>LED Driver:</b>	UL Meanwell Driver
<b>Start Method:</b>	Current Instant
<b>Hot Re-start:</b>	ON Instant ON
<b>Universal Input Line Voltage:</b>	AC100-277 V
<b>Input Line Frequency:</b>	50/60 Hz
<b>Lamp Life:</b>	50,000 Hrs
<b>Lumen Maintenance:</b>	@50,000Hrs >80%
<b>Colour Temperature:</b>	3000K/4100K/5500K/6000K
<b>Colour Rendering Index (CRI):</b>	>75
<b>Minimum Operating Temperature:</b>	- 35 Celsius degree
<b>Maximum Ambient Temperature:</b>	55 Celsius degree
<b>Power Factor:</b>	> 0.98
<b>Total Harmonic Distortion:</b>	< 10%



Item No.	Power	Input voltage	Initial Lumen	Light source	IP Rating	View angle
TRY-WP-25W	25W	AC100-277V	2380 LM	CREE LEDs	IP65	120deg
TRY-WP-40W	40W	AC100-277V	3700 LM	CREE LEDs	IP65	120deg

### Part Number

- 25W – TRY-WP-25W LED WALLPACK
- 40W – TRY-WP-40W LED WALLPACK