

EDEN 3



The EDEN is a compact spotlight series from Tryka that offers high degree of visual comfort using precisely engineered reflector and baffle. Designed with slim trim in various sizes, this new generation spot light is developed based on the feedback received from designers and architects.

EDEN3 is constructed with a slotted heatsink for efficient heat dissipation. The excellent colour rendering properties, constant colour quality throughout its service life and high energy efficacy make it a perfect solution for illuminating hotels, receptions, lobbies and similar applications requiring tight glare control. A wide range of beam angles and lumen packages are available to meet the needs of various lighting applications.

EDEN3 can be supplied with various dimming options - Triac, 1-10V, DALI and non-dimmable.

Colours Available

Cool White - 5000K
Neutral White - 4000K
Warm White - 2700K, 3000K

Optics Available

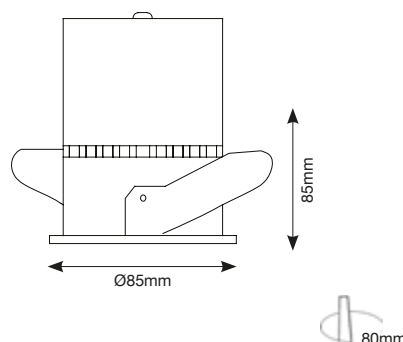
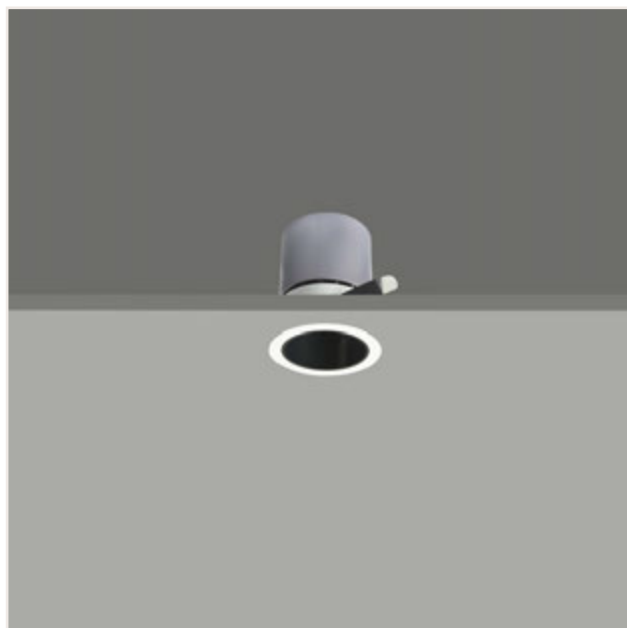
20°, 26°, 38°

Technical Specification

System Power Consumption	15W
LED Power Consumption	12.8W
CRI @CRI80	Ra80+ Standard Ra95 Optional
Luminaire Luminous Flux	990lm(2700K) 1020lm(3000K) 1050lm(4000K) 1050lm(5000K)
Driver	Remote
Adjustability	Fixed
Housing	Aluminium
Trim Finish	White
Baffle finish	Black
Weight	0.3kg
IP Rating	IP43
Lamp life L70	50,000 hours
Operating Ambient Temp.	-10°C to +40°C

As part of our continuous product development we reserve the right to amend these specifications without prior notice.

Tryka L.E.D. Ltd., Unit 3 Station Works, Station Road, Shepreth, Nr. Royston, Herts, U.K SG8 6PZ. Tel: +44 (0) 1763 260666 www.tryka.com



Please order drivers separately.

Product Code

TRY - EDEN3 - 15W - 27K - 20 - IP20
30K 26
40K 38
50K

Note: Please choose appropriate driver from Tryka range.

Product Code Example:

TRY-EDEN3-15W-40K-38-IP20