

ALINA



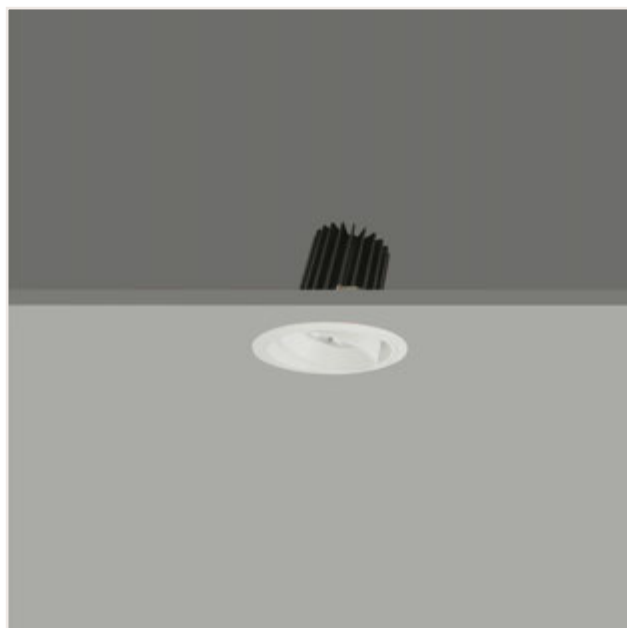
The Tryka ALINA is an adjustable circular downlight designed for applications requiring rotation and tilt features. It is ideal for malls, shop lighting, accent lighting applications in hotels and commercial areas.

The modular design of ALINA offers ease of maintenance and the flexibility to change the light engines in accordance with display trends in shop lighting.

The design of the reflector and lens combination enables beam patterns ranging from narrow to wide beam. Specification of high quality LED ensures meeting the challenging demands of professional lighting applications.

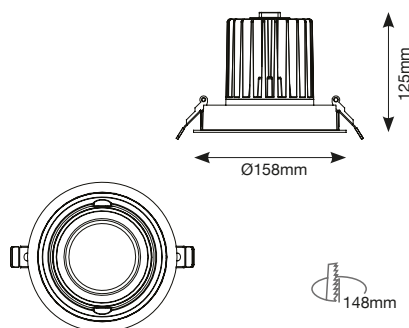
The fixture features 355° rotation and 25° tilt.

ALINA is available with various dimming options - Triac, 1-10V, DALI and non-dimmable.



Technical Specification			
System Power Consumption	18W	26W	30W
LED Power Consumption	15.3W	22.1W	25.5W
CRI	Ra80+ Standard Ra95 Optional		
Luminaire Luminous Flux @ CRI80	1500lm (27K) 1600lm (30K) 1700lm (40K) 1700lm (50K)	2200lm (27K) 2370lm (30K) 2500lm (40K) 2500lm (50K)	2650lm (27K) 2750lm (30K) 2850lm (40K) 2850lm (50K)
Driver	Remote		
Adjustability	25° Tilt 355° Rotation		
Housing	Aluminium		
Trim	Aluminium		
Baffle Finish	White, Black		
Weight	0.82kg		
IP Rating	IP20		
Lamp life L70	50,000 hours		
Operating Ambient Temp.	-10°C to +40°C		

Please order drivers separately.



Colours Available

Cool White - 5000K
Neutral White - 4000K
Warm White - 2700K, 3000K

Optics Available

15°, 24°, 36°

Product Code

TRY - ALINA - 18W - 27K - 15 - WHITE* - IP20
 26W 30K 24 BLACK
 30W 40K 36
 50K

*Baffle colour

Note: Please choose appropriate driver from Tryka range.

Product Code Example:

TRY-ALINA-18W-30K-24-WHITE-IP20

As part of our continuous product development we reserve the right to amend these specifications without prior notice.

Tryka L.E.D. Ltd., Unit 3 Station Works, Station Road, Shepreth, Nr. Royston, Herts, U.K SG8 6PZ. Tel: +44 (0) 1763 260666 www.tryka.com