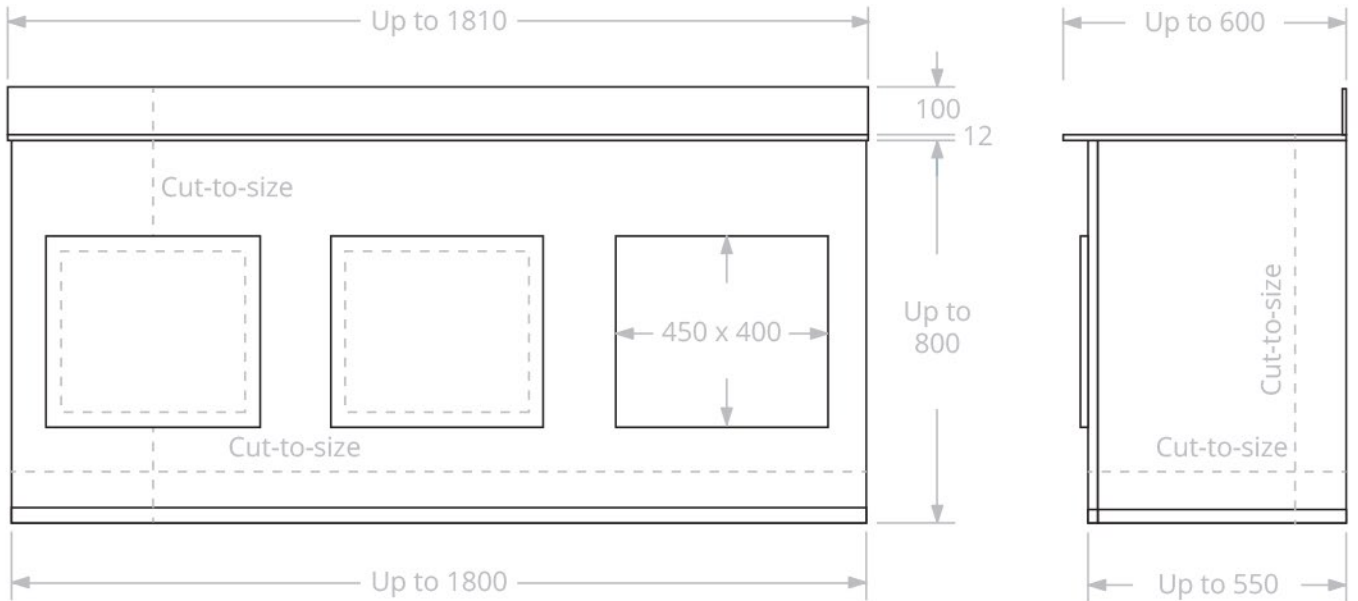


VANITY UNIT PANEL PACK



CONTENTS

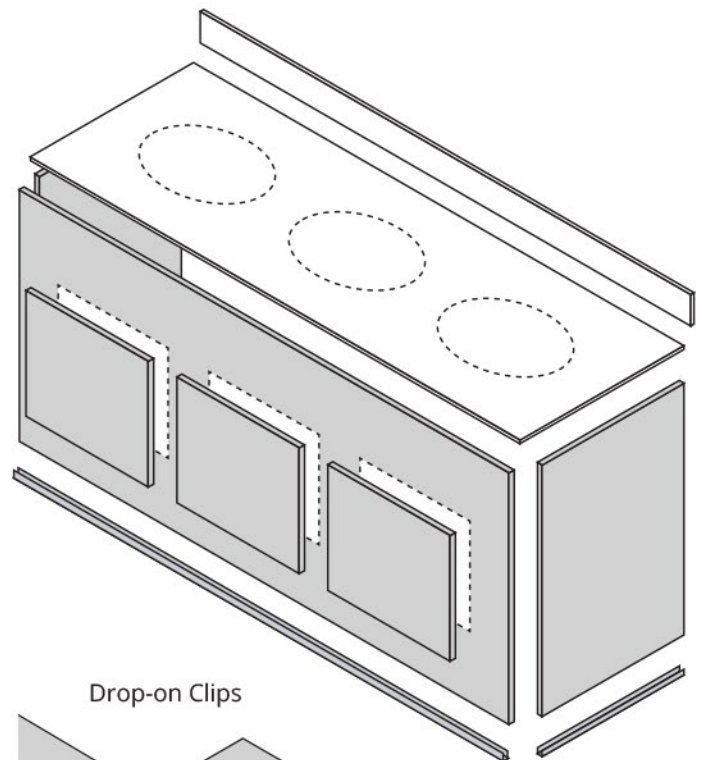
Before you start, please check the pack contents:

- 1x Staron® vanity top, 1810 x 600mm
- 1x Staron® splashback, 1810 x 100mm
- 1x Front frame panel, 1800 x 800mm
- 2x Side frame panels, 530 x 800mm
- 2x U-Channels, 1800mm
- 3x Access panels, 450 x 400mm
- 12x Drop-on clips

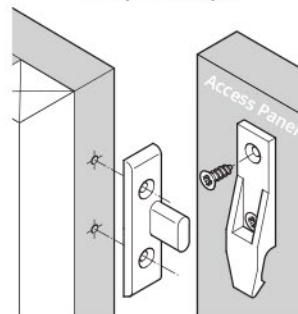
Supporting timber frame NOT supplied

IMPORTANT

- ❗ Wear appropriate PPE while installing and follow manual handling operation regulations.
- ❗ The installer needs to provide a supporting timber frame, (typically 50 x 50mm treated softwood).
- ❗ Basin and access panel cut outs to be made on-site.
- ❗ Panels are NOT suitable for use in shower areas.
- ❗ Seal any cut-to-size panel edges with silicone.



Drop-on Clips



staron®

Solid Surfaces

The following notes are taken from the Staron® Fabrication Manual (linked below).

DO

- ❗ Prior to installing Staron® countertops, make sure that all the framework is level. Levelling and cleaning debris from the framework is very important in preventing future crack(s) to the Staron® countertop.
- ❗ For rough cutting use a circular saw with a carbide or diamond blade.
- ❗ For final cuts use a router (3HP minimum) with a 12mm straight bit (carbide tipped).
- ❗ When cutting Staron®, make sure the piece is totally supported.
- ❗ Clean with soap and water, using a sponge.

DO NOT

- ❗ Do not use a jigsaw, hacksaw or auger bits for cutouts or to cut Staron®.
- ❗ Do not use anything abrasive to clean the top.



Staron®
Fabrication Manual
SN-804-2020



Staron®
Care and Maintenance
SN-313-2020