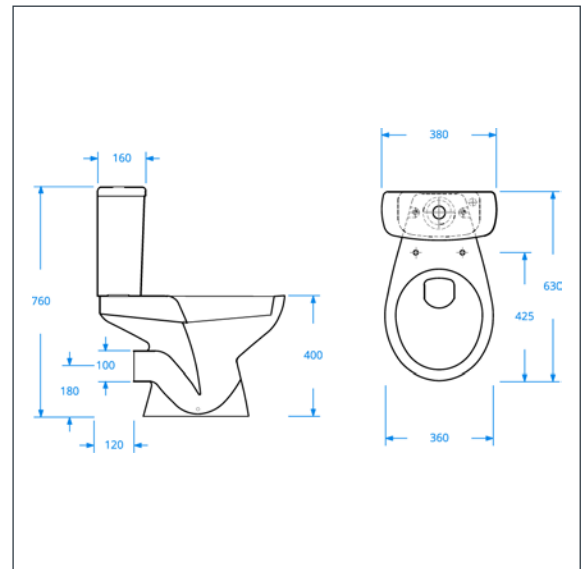


## Close Coupled WC Pack

washroom

Product Code - ASTPANSET

Toilet Type	Close Coupled
Material	Ceramic
Finish	Vitreous China
Colour	White
Flushing Capacity (ltr)	6/4
Product Width (mm)	380
Product Depth (mm)	630
Product Height (mm)	760
Certification	BS 3402, EN 997-2
Warranty (years)	25



NBS Code – 45-35-70/380 WC suites

N13 Sanitary appliances and fittings – 300 WCS AND CISTERNS

Uniclass 2015 – Pr\_40\_20\_93\_94 WC pans

Product reference: Close Coupled WC Pack

Supplier: Trade Washrooms

Web: [www.tradewashrooms.co.uk](http://www.tradewashrooms.co.uk)

Email: [spec@tradewashrooms.co.uk](mailto:spec@tradewashrooms.co.uk)

Pack: ASTPANSET

Seat and cover: Soft-close toilet seat included

Pan connector: P-trap outlet

Cistern: 6/4 litre cistern included

Operation: Dual flush, chrome-plated button