

ZIP Retractable Ladder

Installation instructions for ZIP Ladder with wooden backboard, spring and adjustment from touch down point.

Please read this guide carefully before fixing and follow the instructions.

Caution: This ladder is to be used in household only. Each changing of the product or improper use voids guarantee. The stair has to be stored dry.

Use the ladder after fixing only when the ladder is completely installed on the building, adjusted stops and when the stair stands on the floor level.

Installation (with wooden backboard)

- Fix wooden backboard (12) with necessary screws, (10) (min. 8x80) and washers (11) R 9 (min. 6 pieces) save on the building.
- You must install the stair absolute with necessary screws and plastic plugs. The screws and plugs are not included in the delivery, please order these parts by a specialist retailer.

Adjustment from touch down point after fixing from the stair:

- Turn ZIP ladder till you reach the touch point you like.
 - In this position turn screw (3) till stop and fix it with the counter nut (4).
- The touch down point has now been restricted.

Adjustment from time till the scissor packet comes down after fixing from the stair :

- Open counter nut (6).
 - If you turn screw (5) you can stretch the spring (please take care not twist the spring).
- Take care that the cable roll can not twist on the spring (cable roll and cable under cover must be in one line and parallel to operating arm (2). Springs must be stretched on both sides with the same power.
- Hold spring and fix counter nut (6) again.

Adjustment of side spring (operating arm) :

- Caution:** only with the ladder closed, it is only necessary when the stair comes down per dead weight
- Put round material 10x300 till stop in the next drill hole and rivet (9).
 - Turn spring roller (8) to top and put the rivet (9) one drill hole behind.
 - Turn spring roller (8) slowly back till the rivet (9) lies close to the "Lagerbock".
- (Caution: side spring (7) are under high pressure, put out round material only if (8) the rivet (9) stands on stop.)

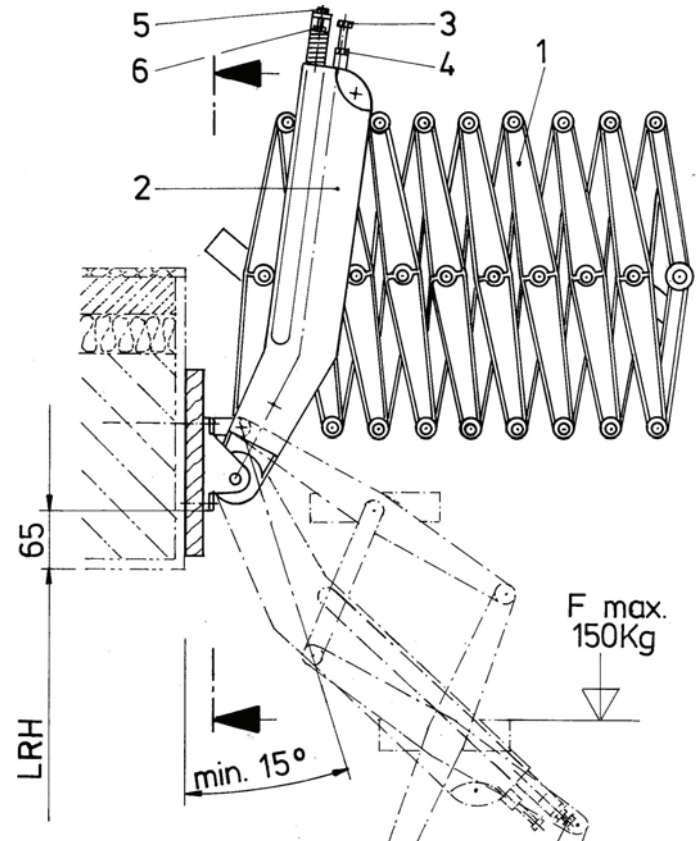
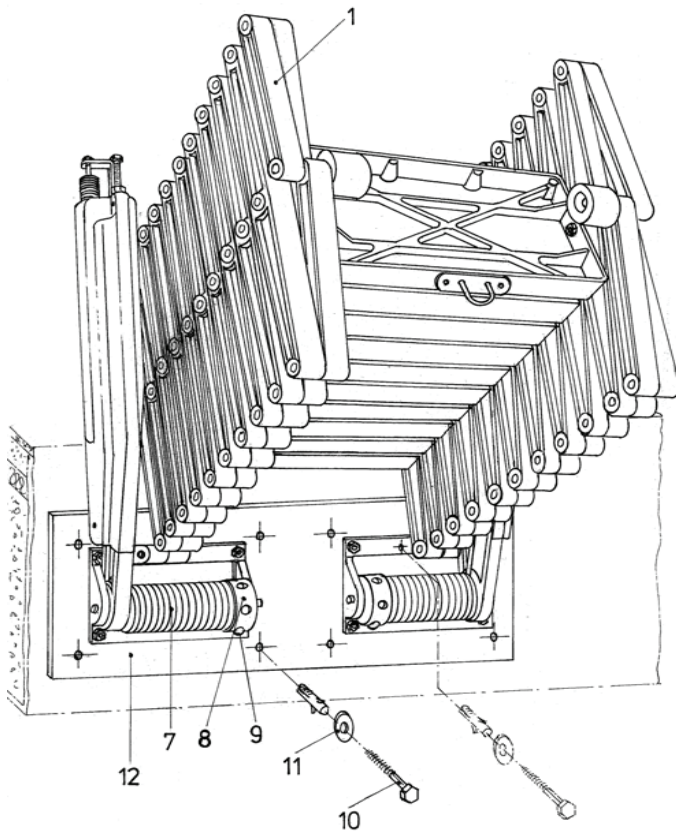
Servicing

- **Please check screws, nuts and safety parts regularly**
- **Please check wear of all turning parts. Oil regularly.**

ZIP Retractable Ladder

Safety Instructions:

- Please do not open the stair by the operating arms (2) of installed ladder (1) (Danger stairway can be damaged). Smallest angle of stairway to vertical is $> 15^\circ$
- Please do not use the stairway without a guard rail



LRH (floor to ceiling height) cm	Number of treads pieces
220-250	9
250-279	10

1. Scissor stair
2. Operating arm
3. Screw M 8
4. Nut M 8
5. Screw M 6
6. Nut M 6
7. Side spring
8. Spring roller
9. Rivet \varnothing 10mm
10. Fixing screw
11. Washer
12. Backboard