





Total Cubicle Solutions take pride in providing a personalised, professional and cost effective service

Total Cubicle Solutions can offer a fast turnaround for the tightest of deadlines and having built up a reputation for superb after sales support, our goal is to supply your cubicles with the minimum of fuss, ensuring that from the start to finish, your project runs smoothly.

All this, and the added reassurance that you are dealing with people with over 45 years experience in the industry.

## Why Choose Volante?

Volante is made from 19mm MFC and is offered with Satin Anodised Aluminium Fittings. The range is available with optional postformed pilasters and features robust bolt through fittings for demanding applications. In addition the panels are finished in matching 2mm PVC edges.

We would recommend Volante for the following applications:

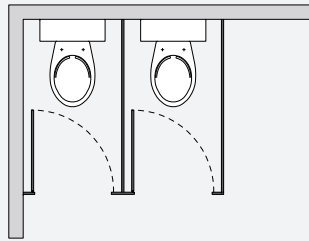
- Office Blocks
- Workshops
- Factories
- Nightclubs & Bars

To comply with new Building Regulations, part M, Total Cubicle Solutions has added enlarged and ambulant cubicle options to the Volante Range. Together with our service promise, you are now in the position to specify, with confidence, a stunning washroom installation for any market sector, at a cost effective price.



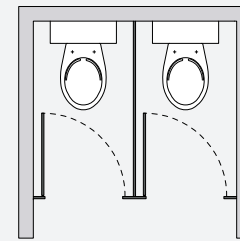
**C/L**

**Corner Layout**



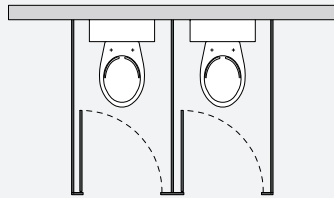
**B/W**

**Between Walls**



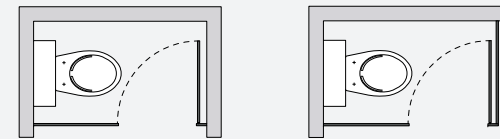
**F/S**

**Free Standing**



**S/I**

**Single In-Line Partition**



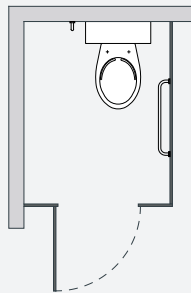
SINGLE IN-LINE  
PARTITION WITH  
OPTIONAL RETURN

**A/C**

**Enlarged Cubicle**

ENLARGED CUBICLES MEASURE A  
MINIMUM OF 1200mm WIDE.

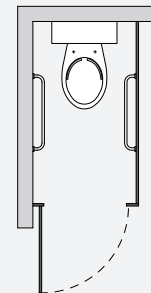
THE DOOR IS OUTWARD OPENING.



**A/D**

**Ambulant Disabled**

AMBULANT DISABLED CUBICLES  
HAVE AN OUTWARD OPENING  
DOOR.

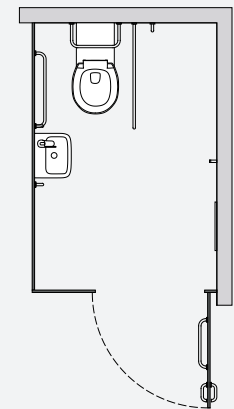


**W/A**

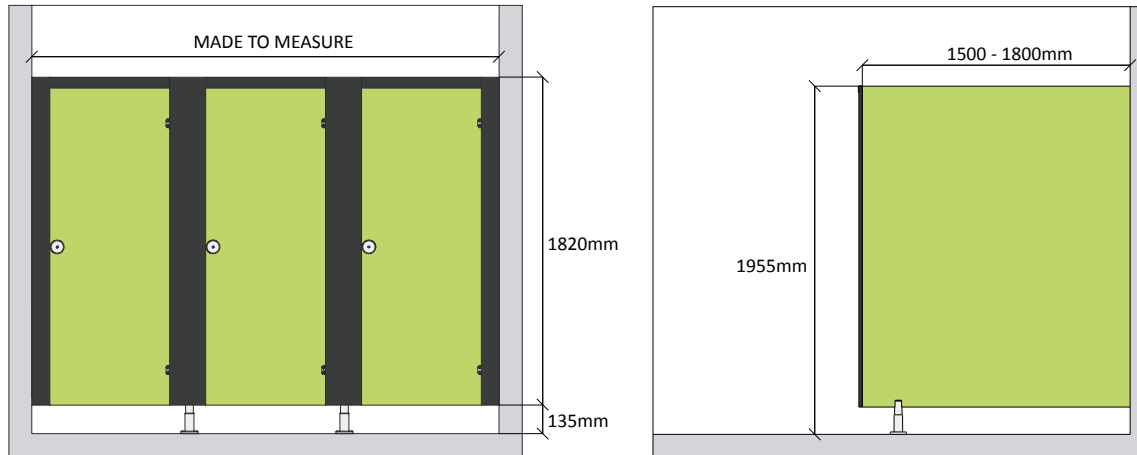
**Wheelchair Accessible**

DISABLED ACCESSIBLE WC CUBICLES  
ARE REQUIRED TO HAVE A MINIMUM  
WIDTH OF 1500mm AND A MINIMUM  
DEPTH OF 2200mm.

AN OUTWARD OPENING DOOR MUST  
BE FITTED, PROVIDING A 900mm WIDE  
OPENING.



## Typical Cubicle Dimensions



The Volante Range of Vanity Cubicles are constructed from high quality 19mm MFC.

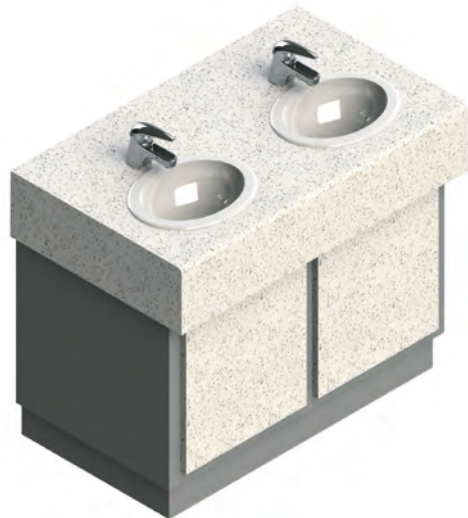
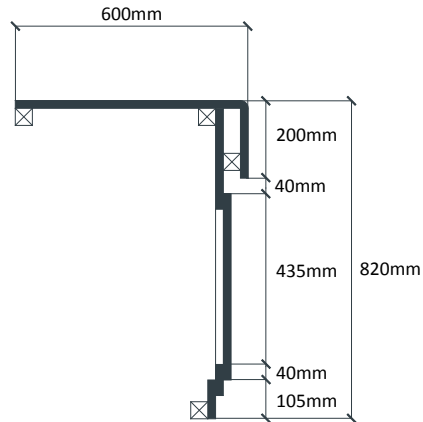
We would recommend our Mirage Range for Hospitals, Health Centres, Sports Stadiums, Schools & Colleges, HM Prisons, Night Clubs and Industrial applications.



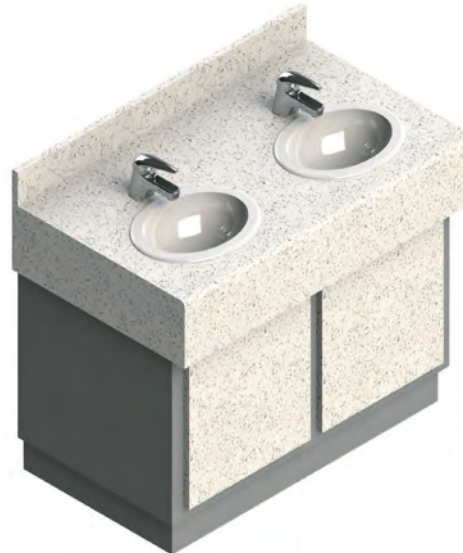
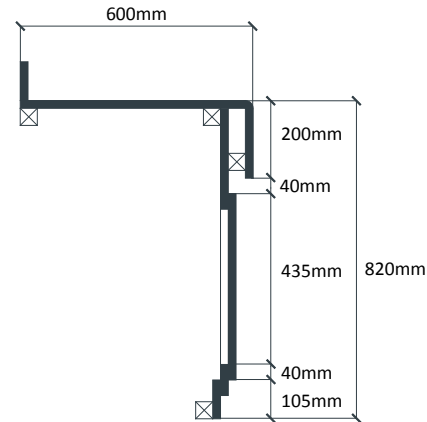
# Vanity Design

The Volante Range of Vanity Units are available in matching colours to the Volante Range of Cubicles, and are available in Standard and Semi-recessed designs.

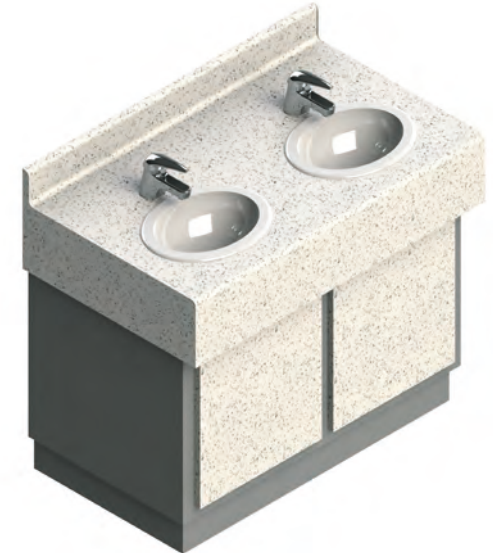
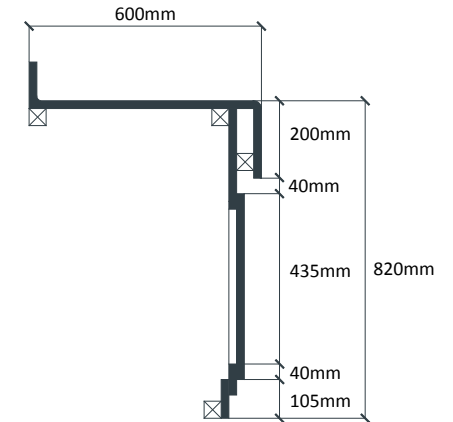
**Standard Vanity Unit**  
VOLVSTD



**Standard Vanity Unit with Loose Upstand**  
VOLVSTDLU

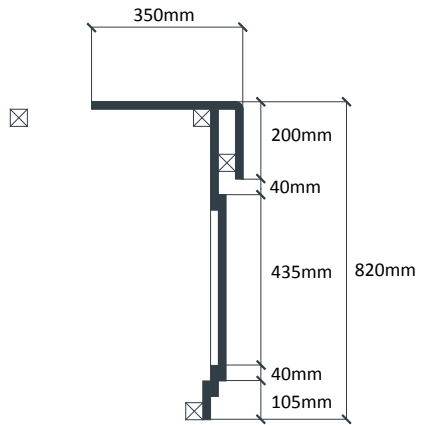


**Standard Vanity Unit with Covered Integral Upstand**  
VOLVSTDCU

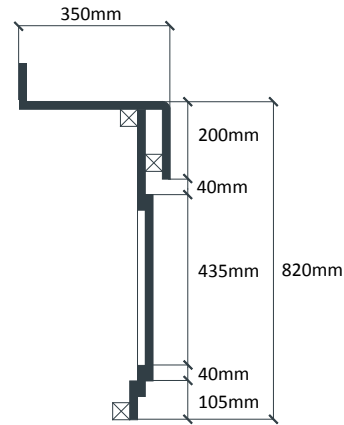


# Vanity Design

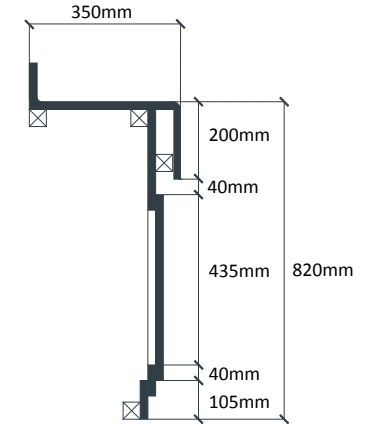
**Standard Vanity Unit**  
VOLVSTD



**Standard Vanity Unit with Loose Upstand**  
VOLVSTDLU



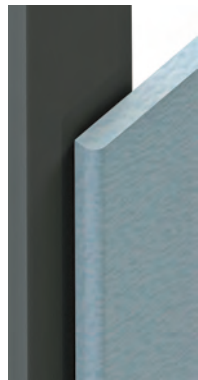
**Standard Vanity Unit with Coved Integral Upstand**  
VOLVSTDCU



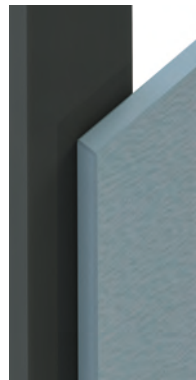
## IPS Features

The Volante Range of IPS Units are supplied pre-fitted to softwood frames. The Panels are manufactured from 19mm MFC and are secured to the frame using concealed clips - allowing them to be easily removed for maintenance and servicing.

Panel edges can be either postformed with a 12mm radius, or edged in 2mm PVC with a matching or contrasting colour.



12mm Postformed



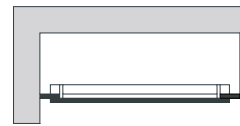
2mm Matching PVC



2mm Contrasting PVC



## Typical Layouts



Corner Layout



Between Walls



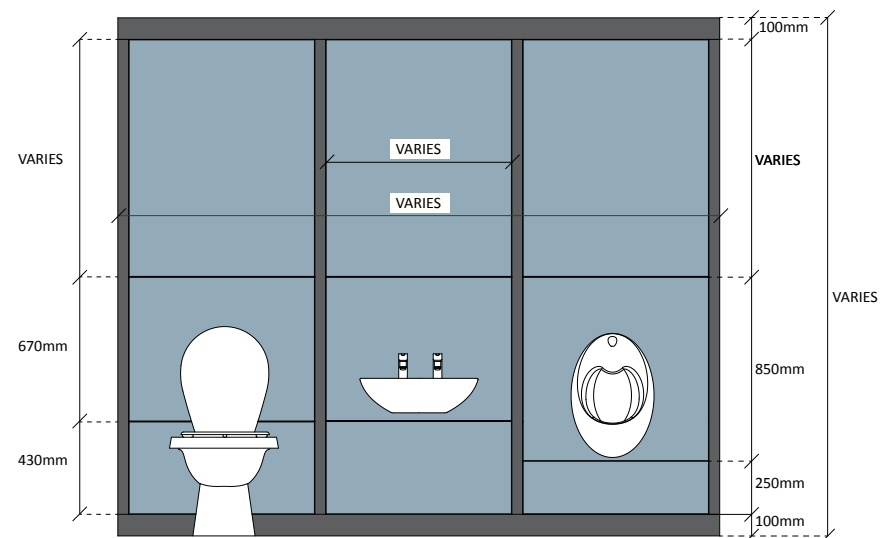
Free Standing



Hole in the Wall

## Panel Splits

Our IPS Units are suitable for use with Toilets, Urinals and Wash Hand Basins, the overall width and height of our IPS Units are made to measure. As standard our design consists of a 3-panel split of which there are two variants, one designed for WC's and Wash Hand Basins, and the other for Urinals. The diagram below sets out our standard dimensions.



# Fittings - Satin Anodised Aluminium

Volantes fittings are built to stand the test of time and come in an attractive satin anodised finish.

TCHIN13/TCHIN19



TCCHA13/TCCHA19



TCTRHOLDB



TCRL13/TCRL19



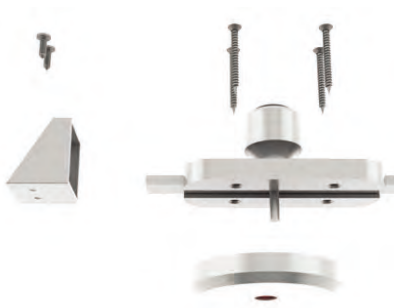
TCCHOOKB



TCCH2MB/TCCH4MB



TCLOCK13/TCLOCK19



TCIDK



TCODK



DOOR BUFFER



## Industry leading Technology

Using a unique digital printing technique Total Cubicle Solutions can personalise Easy-Clad and Shower-Wall panels with your own text and images creating the perfect feature wall.

Not only are the images resistant to UV light helping to maintain their colour even in outdoor conditions, the process also coats the panels in an antibacterial agent.



## Digital Print Brochure

If you would like further information regarding the Digital Print process and our Digital Print products, please visit our website and download our Digital Print Brochure:

[www.totalcubicles.co.uk/downloads](http://www.totalcubicles.co.uk/downloads)



## Happy to help

If you have any questions regarding our Mirage Range or Digital Print products please feel free to contact us:

**Address:** Total Cubicle Solutions  
Units 5-7, Luton Street  
Liverpool, L5 9XR

**Telephone:** 0844 800 7785  
**Fax:** 0844 800 7738  
**Email:** [sales@totalcubicles.co.uk](mailto:sales@totalcubicles.co.uk)  
**Website:** [www.totalcubicles.co.uk](http://www.totalcubicles.co.uk)