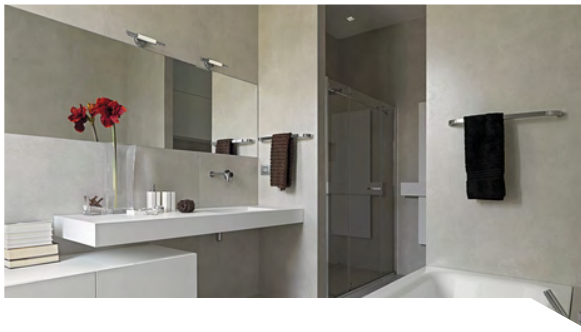


Solace

Decentralised Mechanical Extract Ventilation

or highly efficient intermittent extract fan



For use in small to medium sized dwellings

dMEV fan for bathroom, kitchen and utility room applications with adjustable continuous and fixed boost speed settings.

The Solace dMEV fan is a discreet single fan suitable for new build or refurbishment projects. Solace can be wall, ceiling or panel mounted,** whilst the unique impeller design ensures powerful performance with minimal noise.

The Solace is available in three different versions:

- **Basic Fan:** Boost manually activated via remote switch.
- **Overrun Timer:** Boost with overrun timer adjustable between 0 - 30 minutes, manually activated via remote switch.
- **Humidistat & Timer:** Humidity sensor adjustable between 50 - 95%, activates Comfort Boost increasing airflow to an intermediate speed less intrusive than full boost. Boost with overrun timer adjustable between 0 - 30 mins, manually activated via remote switch.



Features & Benefits

- **Discreet aesthetic**
- **Easy clean design**
- **Quiet running, only 11dB(A) at low speed with 3m ducting**
- **Specific fan power down to 0.09w/l/s**
- **Two speed (selectable low speed)**
- **Comfort Boost on Humidistat option**
- **Unique high performance low noise impeller design**
- **IPX4 rated**
- **Double insulated (requires no earth)**
- **Designed and manufactured in accordance with EN60335-2-80 Low Voltage Directive and the EMC Directive (Electromagnetic Compatibility)**
- **Complies with Building Regulations Part F (England and Wales)**
- **Motor mounted on high quality sealed for life ball bearings**
- **Capacitor type PCB power supply reducing PCB heat loss**
- **18 month guarantee (UK only)**

** To maintain the IPX4 rating when ceiling mounted, a kit must be used. Please contact us for availability of ceiling mounting kits.

Description

Solace Decentralised Mechanical Extract Ventilation unit with timer/humidity variants available.

Product code

TP200/BA Basic Fan

TP200/RT Solace with Overrun Timer

TP200/HT Solace with Humidistat & Timer

Standards

Designed and manufactured in accordance with EN60335-2-80 (Low Voltage Directive) and the EMC Directive (Electromagnetic Compatibility). Air performance measured according to ISO 5801 at 230V 50Hz, air density 1,2 Kg/m³. CE marked.

Specification

Dimensions:

164mm x 164mm with 46mm projection

Weight: 0.6Kg

Finish: White gloss RAL 9010, UV resistant

Materials: Shock-proof ABS casing

Guarantee period: 30 month (UK only)

Electrical: 220-240 V ~ 50Hz

Installation: Install in accordance with regulatory requirements, such as the Domestic Ventilation Compliance Guide (England & Wales) and the Residential Ventilation Association recommendations.

Maintenance: Service, clean, replace subject to local environment - see product manual.

Ducting Kits

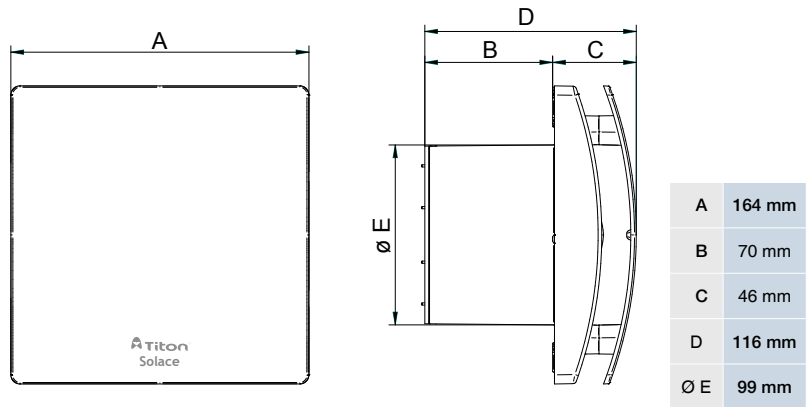
Our ducting kits are recommended to maintain flow rates and are available in Ø100mm and 110x54mm rectangular. Kits contain; 3m duct, bends, grille and accessories. Calculated resistance rates are also included in ducting kit literature included in ducting kit literature.

Jumper switch settings

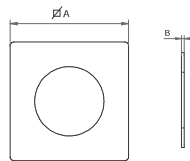
Jumper			Installation	Airflow
1	2	3		
			through wall	OFF
		✓	through wall	6 l/s
	✓		through wall	8 l/s
	✓	✓	through wall	13 l/s
✓			in room	OFF
✓		✓	in room	6 l/s
✓	✓		in room	8 l/s
✓	✓	✓	in room	13 l/s

✓ = Jumper present

Drawing & Dimensions



Ceiling IPX4 Kit



Model	TP202
A	173
B	5

Gasket made of EPDM rubber to guarantee the IPX4 degree of protection against moisture in case of ceiling installations.

Performance

Airflow m ³ /h	Airflow l/s	Max power (W)	Sound pressure dB(A) @ 3m	Max ambient temp °C
83	23	4	32	50
47	13		23	
29	8		13	
21	6		11	

Full Boost

Selectable Trickle (low speed)

*Tested in conjunction with 2x2m 100mm Ø ducting, 2x 90° elbows and outside grille. Ducting kit sold separately.

When using the Solace as an intermittent extract fan the wiring is the same as the standard configuration. All three 'jumpers' that usually control the fan trickle speed setting should be removed. This will ensure the fan is off when L and N connections are made and only runs when live is applied to the LS terminal (causing the fan to run at maximum speed).

Location	Ducted in room		Direct exhaust through wall	
	Kitchen	Wet room	Kitchen	Wet room
Fan speed setting	47m ³ /h	29m ³ /h	47m ³ /h	29m ³ /h
	13 l/s	8 l/s	13 l/s	8 l/s
SFP w/l/s	0.13	0.11	0.09	0.1

Curve at maximum speed

