

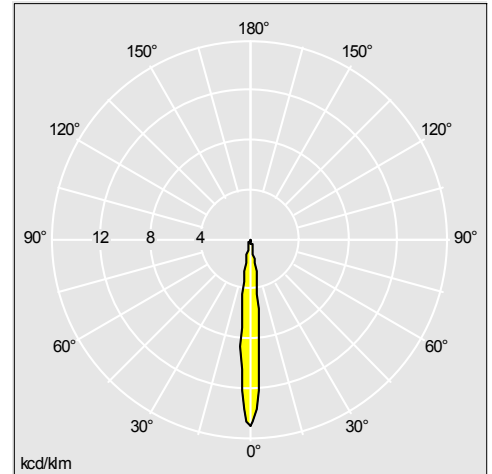
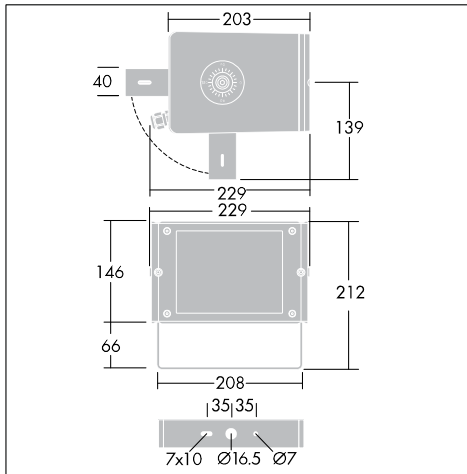
Qba LED

Compact, rectangular floodlight using white and coloured LEDs to light façades and architectural features

- Intensive LED technology in static or dynamic versions: saturated monochromatic with 18 LEDs in Red, Green, Blue, Amber and two whites (3000K and 6000K); RGB colour mixing version with 8 LEDs driven by DMX protocol
- A wide selection of attachments creates a variety of beam distributions, including a glass filter to decrease the colour temperature on white versions
- Integral power supply for monochromatic versions and power supply plus DMX driver for the RGB version
- Uses the same body as Qba 2 enabling visual integration with existing schemes



Photographs, line drawings and photometric data are representative only. For specific product detail please select an individual product.



96254271

Material/Finish

Body, frame and accessories: die-cast aluminium ENAB44100 with textured grey powder coated finish (close to RAL 9007)
 Body screws: stainless steel
 Attachment retaining screws: nickel plated brass
 Front glass: toughened glass
 Alternative RAL colours on request

Installation/Mounting

Adjustable on a stirrup. Aiming is simplified by an indicator on the body sides, locked via a central Ø8mm allen screw. Short stirrup accessory available for close wall mounting. Easy rear access to electrical connecto. Cable gland for Ø6-11mm cable. An additional cable gland for through wiring is available on request. For DMX connection (RGB version only) a DMX cable is required for creative effects. For DMX512 cable the connection requires two 7mm cable glands. Data+, data- and ground are routed to the DMX connector.

Specification

To specify state:

Compact rectangular LED floodlight for wall washing. Die-cast aluminium body with concealed stirrup with monochromatic white 3000K/ white 6000K/ red / blue / green / amber LEDs with integral power supply or dynamic RGB LED with power supply and DMX driver for the RGB version. Sealed IP66.

As Thorn Qba LED.

Qba LED

Ordering Guide One code includes the Qba LED with integral power supply for the monochromatic versions and power supply + DMX system for the RGB version. All other DMX components to be ordered separately.

Description	ILCOS Code	Socket	Wt (kg)	SAP Code
Qba LED Monochromatic versions				
QBA LED 24W 240V 18LED WHI/6000K	LED		5,3	96254271
QBA LED 24W 240V 18LED WHI/3000K	LED		5,3	96254272
QBA LED 24W 240V 18LED BLU	LED		5,3	96254273
QBA LED 24W 240V 18LED RED	LED		5,3	96254274
QBA LED 24W 240V 18LED GRN	LED		5,3	96254275
QBA LED 24W 240V 18LED AMB	LED		5,3	96254276
Qba LED RGB version				
QBA LED 36W 240V 8LED RGB DMX			5,1	96254277
Qba LED Attachments				
QBA VS			0,2	96012228
QBA WG			0,2	96012229
QBA AGS (X4)			0,4	96012230
QBA LV			0,6	96012231
Qba Short Stirrup			0,3	96012236
QBA FILTER REFR 555B V			0,4	96220097
QBA FILTER REFR 555B H			0,4	96220098
QBA GL CHROMATIC CORRECTION FILTER			0,2	96254527