

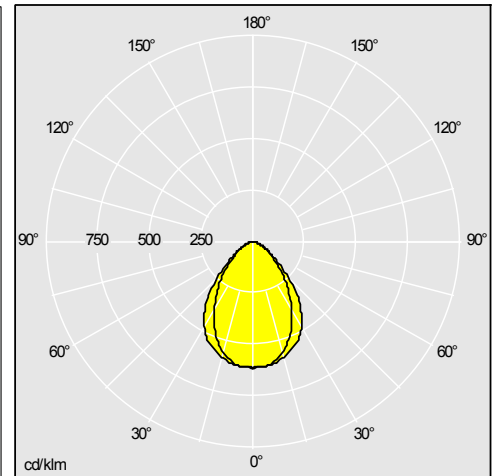
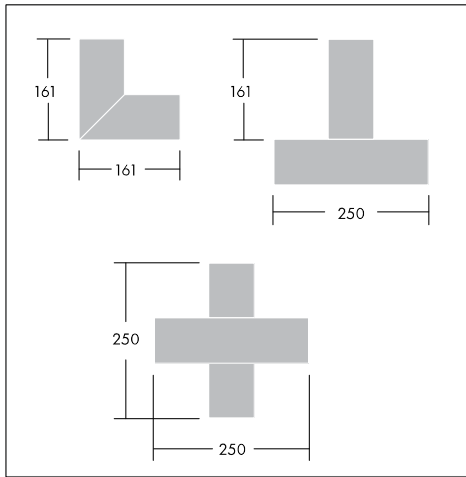
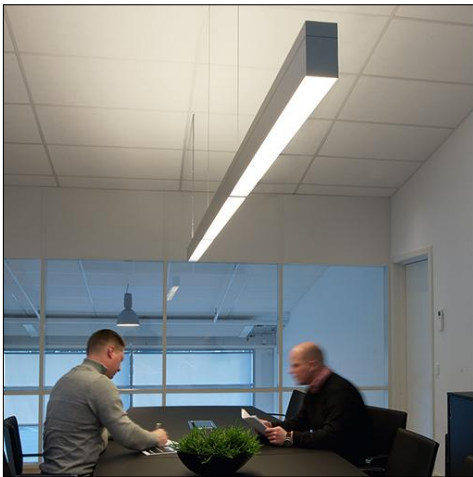
Equaline LED

Linear LED lighting in a simple and pure design

- Delivers excellent light output (up to 4800lm) with >80lm/W efficacy and very good glare control for office and education applications
- Can be recessed or surface mounted for direct illumination and suspended for direct/indirect illumination
- Available in single, double and triple length profiles with a wide range of connectors and infill modules for creative design possibilities
- Part of a complete family with freestanding and wall mounted versions, allowing flexible, energy efficient design schemes with a coordinated aesthetic



Photographs, line drawings and photometric data are representative only. For specific product detail please select an individual product.



96241523

Material/Finish

Body: extruded anodised aluminium (close to RAL 7046)
 End caps: die-cast aluminium, powder coated grey (close to RAL 7046)
 Diffuser: acrylic

Installation/Mounting

For surface version individual luminaires are supplied with dedicated surface mounting brackets, for suspended and direct/indirect versions individual luminaires are supplied with adjustable wire suspension mounting, with quick-locks included. For System versions brackets or suspension kits are to be ordered separately. Maximum spacing recommended is 2.5m. Individual luminaires supplied with a 2.5m halogen free grey cable 5 x 0.75mm². For system versions mains cable is to be ordered separately. Recessed version is suitable for recessed mounting into plasterboard ceiling using dedicated bracket kit 96238914 (to be ordered separately).

Equaline LED

Specification

To specify state:

Surface mounted slim aluminium luminaire and acrylic diffuser with 1600lm and 3200lm outputs per individual length, mounted via dedicated surface brackets.

Mounted individually or in continuous lines, with dimmable versions.

As Thorn EquaLine LED (Surface).

Wire suspended slim aluminium luminaire and acrylic diffuser with 1600lm and 3200lm outputs per individual length, mounted via dedicated wire suspension brackets.

Mounted individually or in continuous lines, with dimmable versions.

As Thorn EquaLine LED (Suspended).

Recessed slim aluminium luminaire and acrylic diffuser with 1600lm and 3200lm outputs per individual length, mounted via dedicated concrete/plasterboard brackets.

Mounted individually or in continuous lines, with dimmable versions.

As Thorn EquaLine LED (Recessed).

Wire suspended slim aluminium luminaire and acrylic diffuser with 2400lm and 4000lm outputs per individual length, mounted via dedicated wire suspension brackets.

Mounted individually or in continuous lines, with dimmable versions.

As Thorn EquaLine LED (Direct/Indirect).

Ordering Guide

Supplied with non-user replaceable LED light source

Description	ILCOS Code	Socket	Wt (kg)	SAP Code
Equaline LED Single length, suspended				
EQUALINE LED 1600 HFI MPT MSWT	LED		6,2	96241544
EQUALINE LED 3200 HFI MPT MSWT	LED		6,2	96241545
Equaline LED Single length, surface mounted				
EQUALINE LED 1600 HFI MPT MCE	LED		5,7	96241523
EQUALINE LED 3200 HFI MPT MCE	LED		5,7	96241525
Equaline LED Single length, recessed				
EQUALINE LED 1600 HFI MPT MRE	LED		6	96241542
EQUALINE LED 3200 HFI MPT MRE	LED		6	96241543
Equaline LED Single length, direct/indirect				
EQUALINE DI LED 2400 HFI MPT	LED		6,7	96241546
EQUALINE DI LED 4800 HFI MPT	LED		6,7	96241547
Equaline LED System, single length, suspended				
EQUALINE S LED 1600 HFI MPT MSWT	LED		6,2	96241560
EQUALINE S LED 3200 HFI MPT MSWT	LED		6,2	96241561
Equaline LED System, single length, surface mounted				
EQUALINE S LED 1600 HFI MPT MCE	LED		5,7	96241548
EQUALINE S LED 3200 HFI MPT MCE	LED		5,7	96241549
Equaline LED System, single length, recessed				
EQUALINE S LED 1600 HFI MPT MRE	LED		6	96241554
EQUALINE S LED 3200 HFI MPT MRE	LED		6	96241555
Equaline LED System, single length, direct/indirect				
EQUALINE S DI LED 2400 HFI MPT	LED		6,7	96241566
EQUALINE S DI LED 4800 HFI MPT	LED		6,7	96241567

Equaline LED

Description	ILCOS Code	Socket	Wt (kg)	SAP Code
Equaline LED System, double length, suspended				
EQUALINE S LED 2/1600 HFI MPT MSWT	LED		12,3	96241562
EQUALINE S LED 2/3200 HFI MPT MSWT	LED		12,3	96241563
Equaline LED System, double length, surface mounted				
EQUALINE S LED 2/1600 HFI MPT MCE	LED		11,3	96241550
Equaline LED System, double length, recessed				
EQUALINE S LED 2/1600 HFI MPT MRE	LED		11,9	96241556
EQUALINE S LED 2/3200 HFI MPT MRE	LED		11,9	96241557
Equaline LED System, double length, direct/indirect				
EQUALINE S DI LED 2/2400 HFI MPT	LED		13,3	96241568
EQUALINE S DI LED 2/4800 HFI MPT	LED		13,3	96241569
Equaline LED System, triple length, suspended				
EQUALINE S LED 3/1600 HFI MPT MSWT	LED		18,4	96241564
EQUALINE S LED 3/3200 HFI MPT MSWT	LED		18,4	96241565
Equaline LED System, triple length, surface mounted				
EQUALINE S LED 3/1600 HFI MPT MCE	LED		16,9	96241552
EQUALINE S LED 3/3200 HFI MPT MCE	LED		16,9	96241553
Equaline LED System, triple length, recessed				
EQUALINE S LED 3/1600 HFI MPT MRE	LED		17,8	96241558
EQUALINE S LED 3/3200 HFI MPT MRE	LED		17,8	96241559
Equaline LED System, triple length, direct/indirect				
EQUALINE S DI LED 3/2400 HFI MPT	LED		19,8	96241570
EQUALINE S DI LED 3/4800 HFI MPT	LED		19,8	96241571