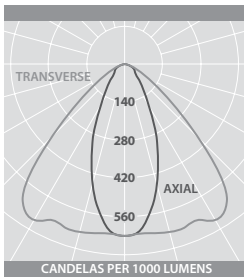


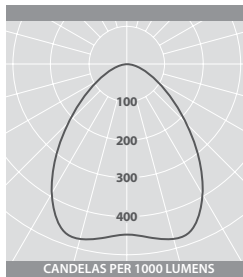


PHOTOMETRIC GUIDE



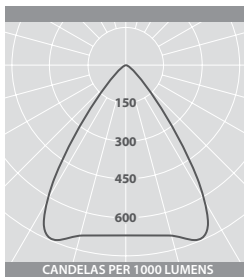
CORRIDOR - OPEN

Luminaire Lumen Output
16W = 1145lm
32W = 2245lm



GENERAL AREA - OPEN

Luminaire Lumen Output
16W = 1200lm
32W = 2340lm



LOW GLARE LENS - OPEN

Luminaire Lumen Output
16W = 715lm
32W = 1400lm

PERFORMANCE GUIDE

Typical task area illuminance assuming an open area with good reflection factors, 0.85 maintenance factor and a 2.65 metre ceiling height.

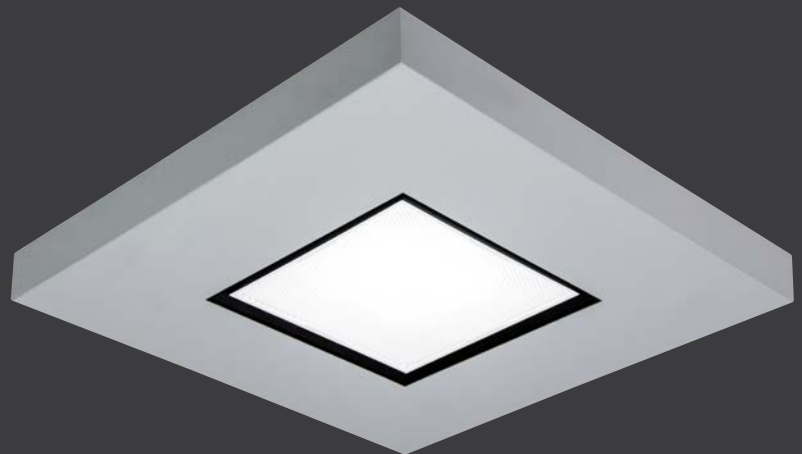
	LED	SPACING (Metres)	LUX AVERAGE 70/50/20	LUX AVERAGE 80/60/30
CORRIDOR	16W	5.4	70	80
		4.2	90	100
	32W	5.4	130	150
		4.2	170	190
GENERAL AREA	16W	3.0 x 3.0	130	150
		2.4 x 3.0	160	180
		2.4 x 2.4	200	220
		1.8 x 2.4	260	290
	32W	3.0 x 3.0	250	280
		2.4 x 3.0	310	340
		2.4 x 2.4	370	410
		1.8 x 2.4	440	510
LOW GLARE LENS	16W	3.0 x 3.0	80	90
		2.4 x 3.0	100	110
		2.4 x 2.4	120	130
		1.8 x 2.4	150	170
	32W	3.0 x 3.0	150	170
		2.4 x 3.0	180	200
		2.4 x 2.4	220	250
		1.8 x 2.4	290	320



Reverse detail



Smart version



SQUARE LED SURFACE DOWNLIGHTERS



SPECIFICATION

- Steel body finished black
- Steel bezel finished light textured silver (RAL 9006)
- Die-cast heat sink with through airflow for thermal management
- Injection moulded reflector
- Choice of optics optimised for general area, corridor and low glare (VDT)
- Smart versions with integral intelligent lighting control
- Emergency, AutoTest and Scanlight AT versions using integral, high power 1.5W LED
- 16W and 32W very high efficiency versions
- Integral LED driver
- Fitted with 4000K LEDs

LED CHARACTERISTICS

Ra	°K	L70/B10	LL/CW 66.6
80+	4000	60K	
P/U	%	R/Rx	PF
P	>85	R	>0.9

For LED characteristics explanation see www.thorlux.com/led-characteristics

RANGE

	LED	CORRIDOR VERSION	GENERAL AREA VERSION	LOW GLARE VERSION	APPROX. kg	CIRCUIT
SMART	32W	GF 15737D	GF 15736D	GF 15738D	2.8	
	16W 32W	GF 15728 GF 15725	GF 15727 GF 15724	GF 15729 GF 15726	2.7 2.7	L/A L/A

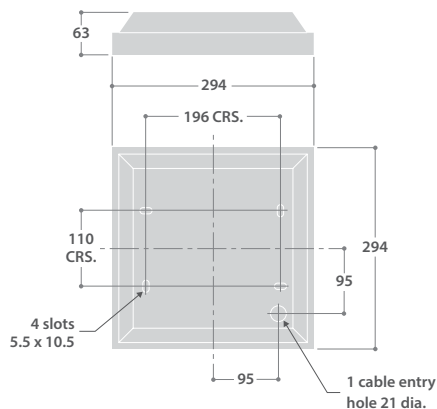
CIRCUIT TYPE - suffix catalogue number with:

L - non-dimming (LED) / **A** - dimming (DALI) e.g. GF 15728L etc.
Smart versions use digital dimming gear and are always suffixed **D**

EMERGENCY VERSION - prefix catalogue number with:

EGF - Emergency / **TGF** - AutoTest / **DGF** - Scanlight AT e.g. EGF 15728L etc.
Emergency, AutoTest and Scanlight AT versions add 0.3kg to weights listed.

DIMENSIONS



Web link: [Smart System](#) >