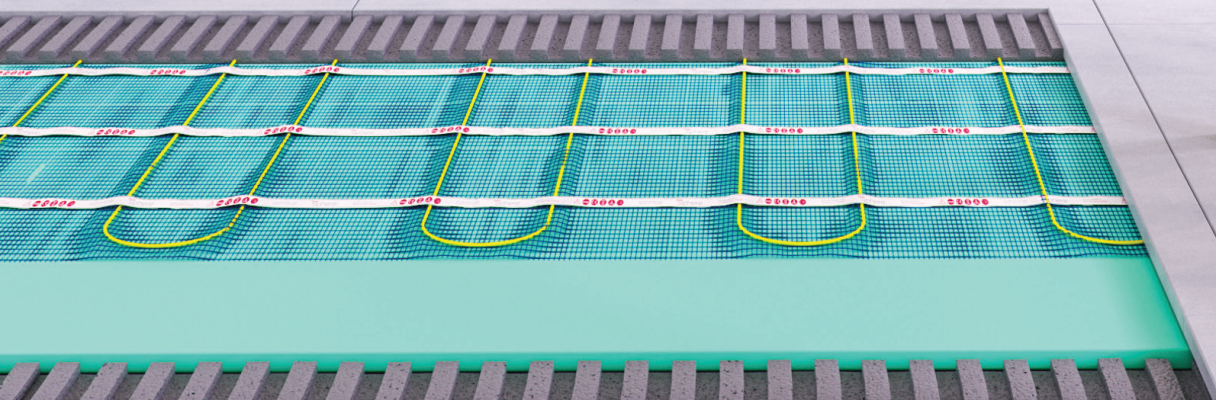
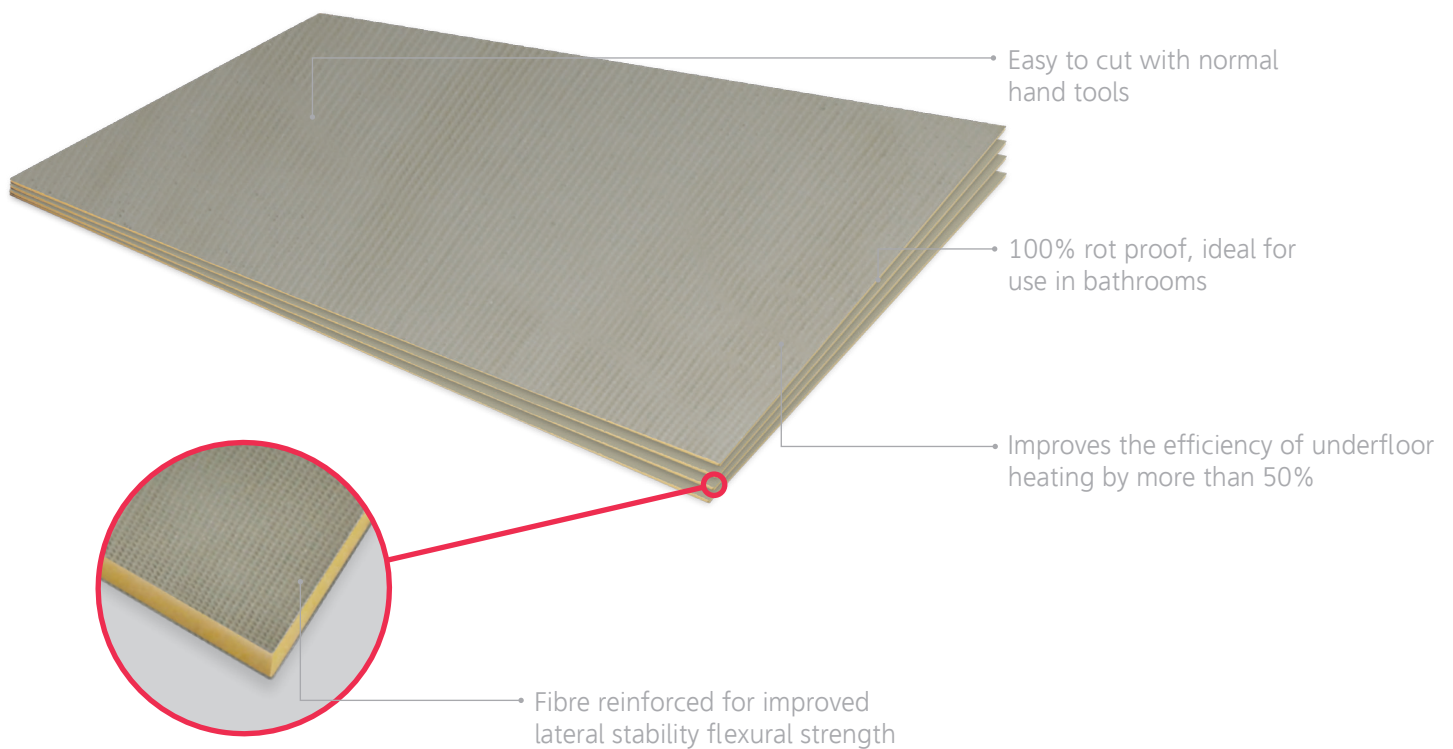


thermo
Sphere

ACCESSORIES | FLOOR

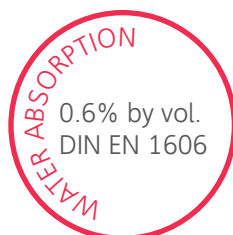


Excellence in heating solutions.



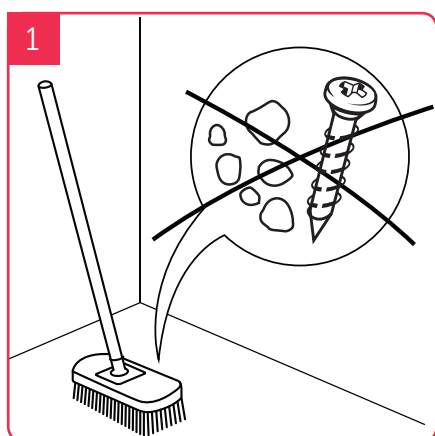
Timber floor insulation boards

Manufactured using a high-density extruded polystyrene core with a polymer modified, fibre reinforced cement coating on both sides. Adds rigidity, strength and thermal insulation to timber substrates, maximising the efficiency of your electric underfloor heating system.



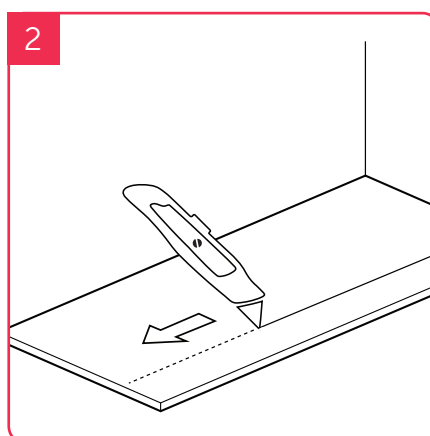
Installation overview

Using the timber insulation board and the range of fixing accessories quickly creates an ideal, stable substrate for tiling over. Can be used on floors and walls and is 100% rot proof which makes it ideal for use in bathrooms and wetrooms.



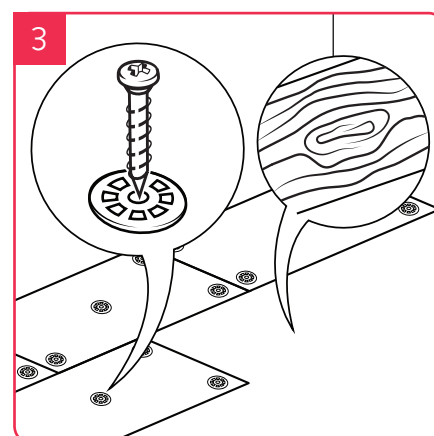
1 Prepare substrate

Ensure the timber substrate is secure and free from dust and any debris



2 Cut to size

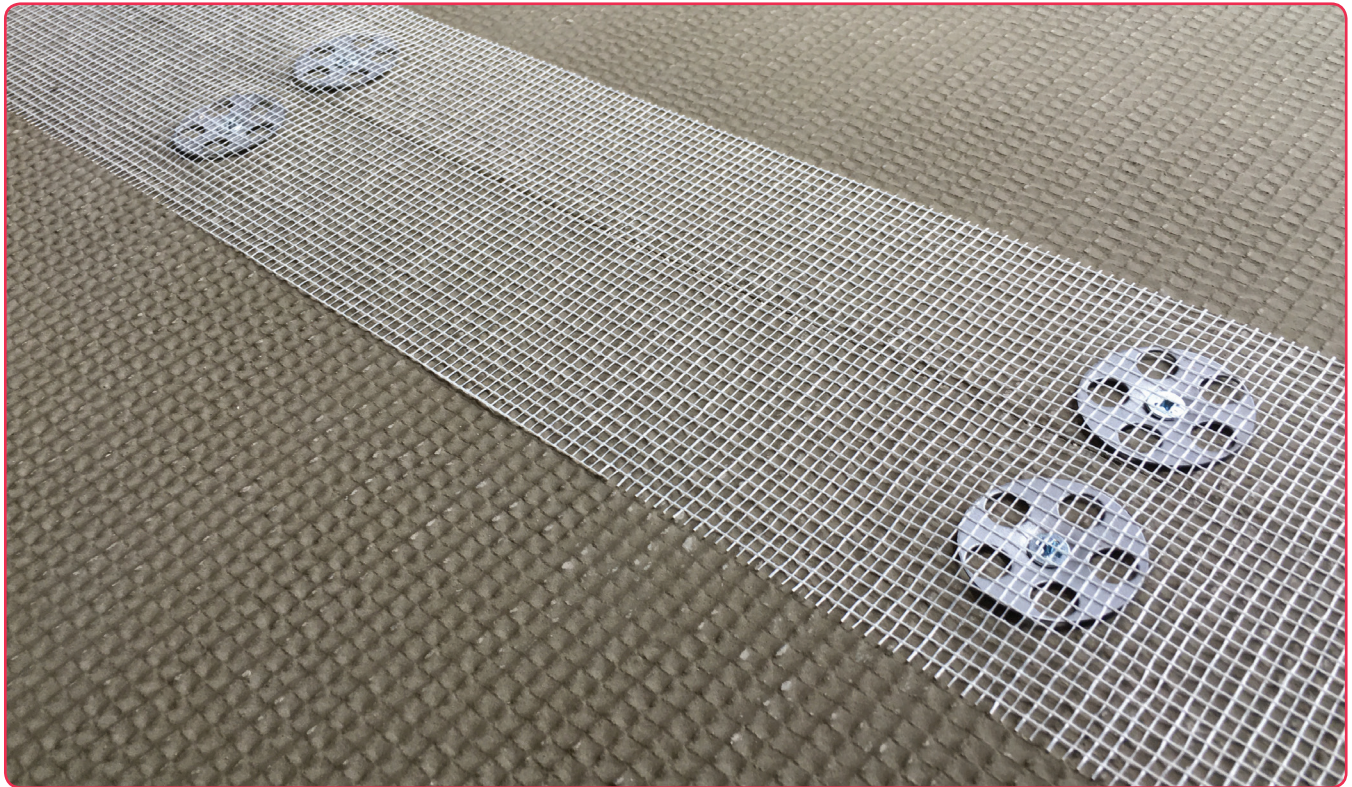
Cut boards to size with a sharp blade and position over the floor area



3 Secure in place

Fix in position using fixing screws and washers at 300mm centres, or additionally adhere with flexible tile adhesive

Stock Code	Description	Thickness (MM)	Board Size (M)	Board Area (M ²)	Pack Area (M ²)	Pack Quantity
TIB-006-08	Timber Insulation Board	6	1.2 x 0.6	0.72	5.76	8
TIB-010-06	Timber Insulation Board	10	1.2 x 0.6	0.72	4.32	6
TIB-012-06	Timber Insulation Board	12	1.2 x 0.6	0.72	4.32	6
TIB-020-06	Timber Insulation Board	20	1.2 x 0.6	0.72	4.32	6
TIB-030-04	Timber Insulation Board	30	1.2 x 0.6	0.72	2.88	4
TIB-040-03	Timber Insulation Board	40	1.2 x 0.6	0.72	2.16	3
TIB-050-02	Timber Insulation Board	50	1.2 x 0.6	0.72	1.44	2



Joint Tape

Reinforce the joints between timber insulation boards before tiling



Metal & Plastic Washers

Use with fixing screws at 300mm centres around the edge of timber insulation boards



Fixing Screws 32mm

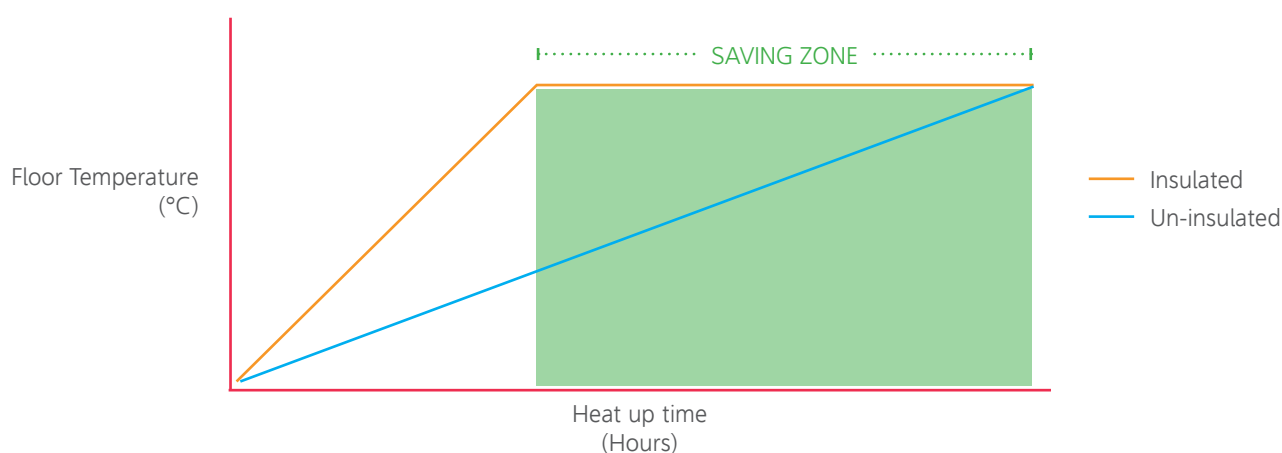
Use in conjunction with fixing washers to secure timber insulation boards

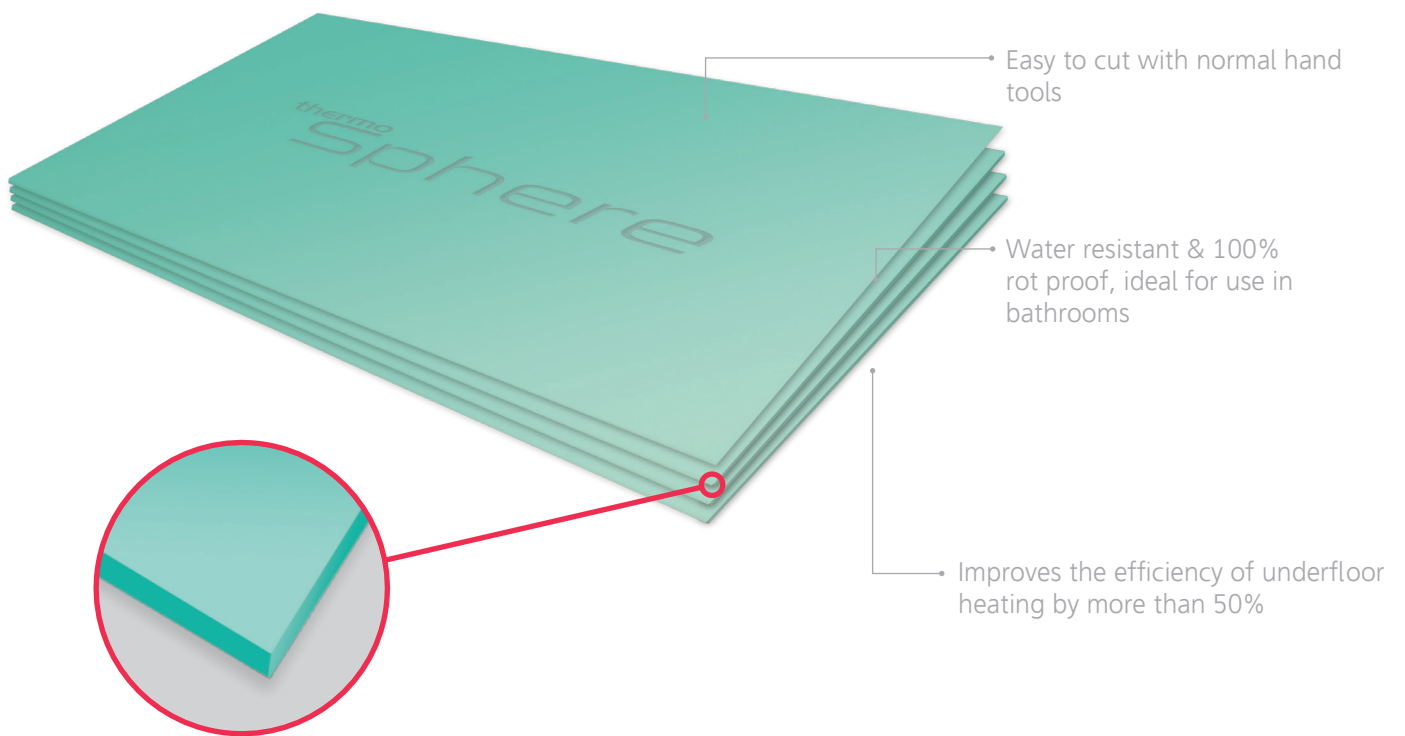
Stock Code	Description	Size	Unit
TIB-JT-01	Joint Tape	25m	Ea
TIB-MFW-01	Metal Washers	Ø35mm	pk 100
TIB-FS-01	Fixing Screws	32mm	pk 1000
TIB-PFW-01	Plastic Washers	Ø40mm	pk 100

Key benefits of thermal insulation boards

Thermal insulation is essential for an energy efficient electric underfloor heating system. A layer of insulation will prevent heat loss into the substrate and ensure faster heat up times, as well as providing a stable, flat substrate for underfloor heating.

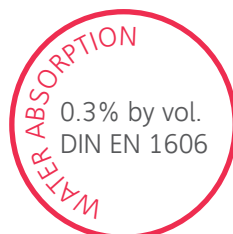
- ✓ Improve the efficiency of electric underfloor heating by more than 50%
- ✓ 100% moisture and rot proof
- ✓ Minimal heat loss into the substrate and faster heat up times
- ✓ Helps prevent mould growth from moisture in bathrooms
- ✓ Easy to install - cuts with regular hand tools
- ✓ Can be installed on floors and walls
- ✓ Coated boards improve lateral and flexural stability of timber floors
- ✓ Lighter and stronger than ply





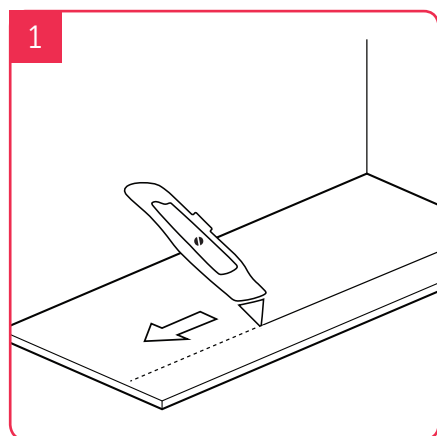
Concrete floor insulation board

Cost effective thermal insulation board for concrete and screed substrates. Improves insulation and reduces heat losses into the substrate. Available in thin 6mm or 10.5mm boards, ThermoSphere insulation gives you maximum insulation with minimal height build up - ideal for refurbishment applications.



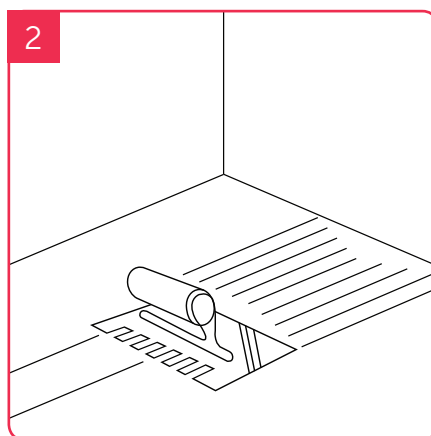
Installation overview

ThermoSphere concrete insulation board should be used before tiling to inhibit moisture and prevent heat loss into the substrate. Concrete insulation board is 100% rot proof and ideal for use in bathrooms and wetrooms.



Cut to size

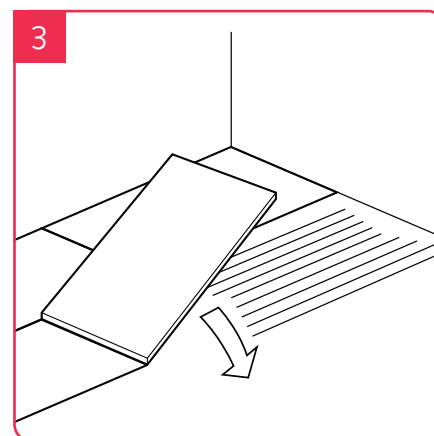
Cut boards to size with a sharp blade and position over the floor area.



Mix and spread tile adhesive

Mix tile adhesive according to manufacturer guidelines and spread on substrate with a notched trowel. Always use an S1, fast setting flexible adhesive.

You will need to use ultimate primer if your substrate is not absorbent enough for tile adhesive.



Secure in place

Fix in position by pressing the boards firmly into the adhesive below. Allow adhesive to fully cure before laying underfloor heating.

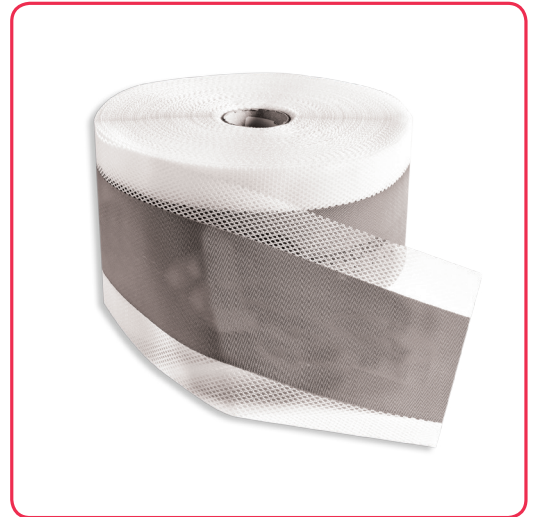
Stock Code	Description	Thickness (MM)	Board Size (M)	Board Area (M ²)	Pack Area (M ²)	Pack Quantity
CIB-006-20	Concrete Insulation Board	6.0	1.2 x 0.6	0.78	15.6	20
CIB-105-10	Concrete Insulation Board	10.5	1.2 x 0.6	0.78	7.8	10

ThermoSphere Tanking paste



Premium grade, rapid drying, highly flexible, liquid rubber membrane for use with ThermoSphere waterproofing tape

ThermoSphere Waterproofing tape



Use neoprene tape to reinforce and waterproof joints in wet zones in conjunction with ThermoSphere waterproofing paste

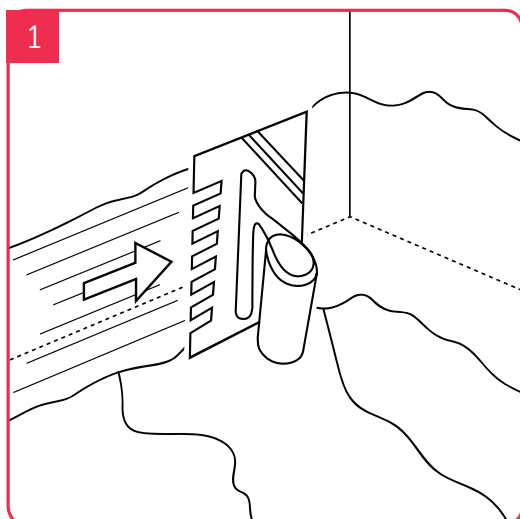
ThermoSphere Ultimate primer



One coat bonding primer with a textured "Key Coat" finish. For use with ThermoSphere flexible tile adhesive and flexible levelling compound

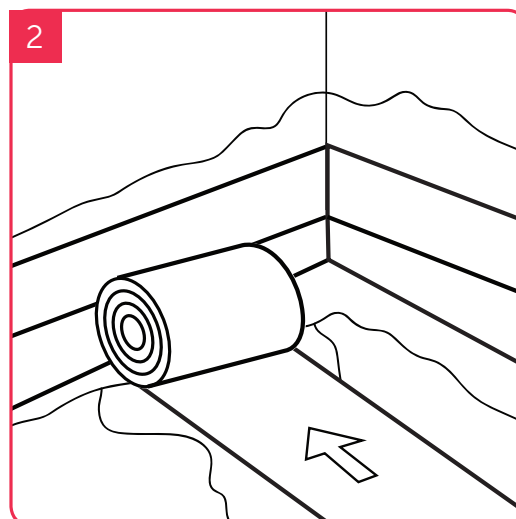
Installation overview

ThermoSphere waterproofing accessories are designed to make it easy to create a wetroom.



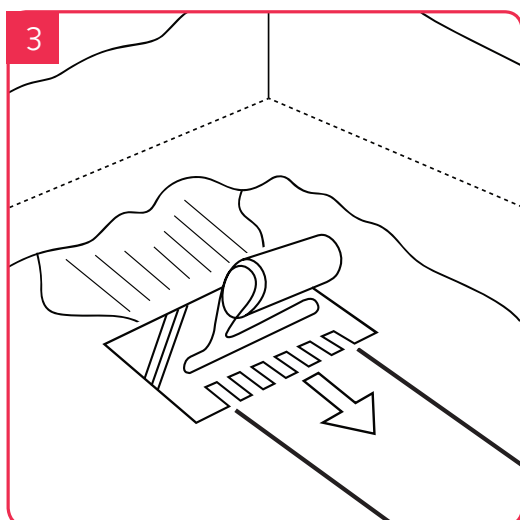
Spread paste

Apply a layer of waterproofing paste to all joints and corners



Apply tape to joins & corners

Cover paste with waterproofing tape making sure you push it in to the corners and press out any bubbles or lumps

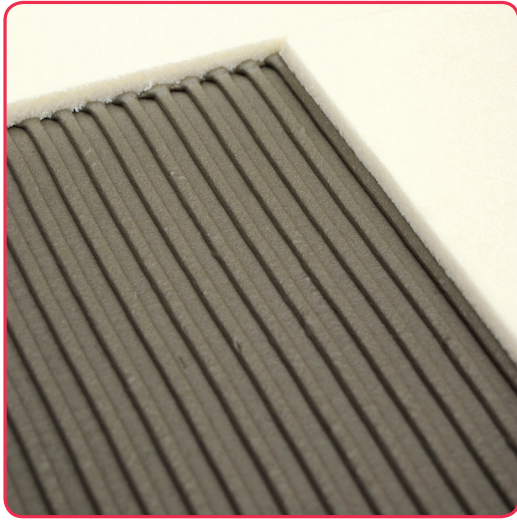


Second layer of paste

Apply the second layer of waterproofing paste over the tape and allow to dry before tiling

Stock Code	Description	Size	Unit
UP-01	Ultimate Primer	5kg	Ea
HDM-WP-01	Tanking Paste	5kg	Ea
HDM-WT-01	Waterproofing Tape	10m	Ea

Flexible tile adhesive



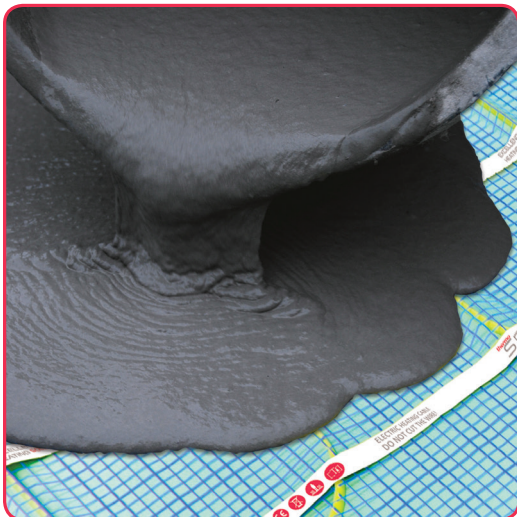
Specially designed and guaranteed for use with our electric underfloor heating systems. S1 flexibility and fast setting time make ThermoSphere flexible tile adhesive S1 ideal for installation over floor heating solutions including ThermoSphere heating membrane and mesh.

Suitable for use with underfloor heating systems

- S1 flexibility
- 3 - 12mm bed thicknesses
- Fast setting - Walk on after 3 hours
- 30 minutes open time

Stock Code	Description	Colour	Weight
FTA-25-01	Flexible Tile Adhesive	Grey	25kg

Flexible levelling compound



Flexible, fast setting, fibre reinforced, cement based self levelling compound. Single part for easy use and one 25kg bag will cover approximately 3.47m² at 4mm thickness. Ideal for installation over floor heating solutions including ThermoSphere heating membrane and mesh.

- Suitable for use with underfloor heating systems
- Fibre reinforced for strength and cement based
- 2 - 50mm bed thickness
- Coverage - 1.8kg per 1mm thickness per m²
- Fast setting - Walk on after 3 hours
- 25 - 30 minutes open time

Stock Code	Description	Colour	Weight
FLC-25-01	Flexible Levelling Compound	Grey	25kg

Acoustic insulation board



A 9mm thick acoustic insulation board made of 100% natural coconut fibres

- 21dB impact sound reduction
- Sustainably sourced fibres
- Use where height availability is limited

Stock Code	Description	Thickness (MM)	Size (M)	Area (M ²)	Pack Area (M ²)	Pack Quantity
AIB-09-004	Acoustic Insulation Board	9	0.59 x 0.86	0.51	8.12	16

Acoustic insulation mat



A 3mm thick acoustic insulation matting made from recycled rubber and waste cork granules

- 21dB impact sound reduction
- Manufactured using recycled products
- Use where height availability is very limited

Stock Code	Description	Thickness (MM)	Size (M)	Area (M ²)	Pack Area (M ²)	Pack Quantity
AIM-05-020	Acoustic Insulation Mat	3	20 x 1.0	20	20	1

Floor sensor probe

NTC10K floor probe for use with ThermoSphere controls



Stock Code	Description	Size
FSPB-10-03	Floor Sensor Probe	3Lm
FSPB-10-10	Floor Sensor Probe	10Lm

Flexible conduit

Use with floor sensor probes and cold tails



Stock Code	Description	Size
FC-003	Flexible Conduit	2.8Lm

Connection kit

To extend cold tail and repair heating cables



Stock Code	Description	Size
CK-001	Connection Kit	70mm

Cold tail extension

To extend cold tail



Stock Code	Description	Size
CTE-001	Cold Tail Extension	1m

Back box kit

Three piece kit for thermostat installations



Stock Code	Description	Unit
BBK-01	Backbox Kit	3 pcs

Marshalling box kit

For installations with multiple electrical connections



Stock Code	Description	Unit
MBK-01	Marshalling Box Kit	3 pcs

PIR movement sensor

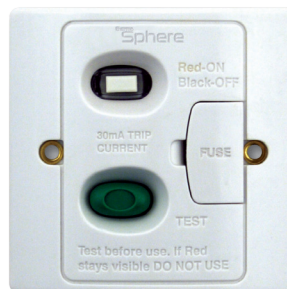
Movement sensor for lighting circuits



Stock Code	Description
PIR-01	PIR Movement Sensor

RCD fused spur

Safety device for all electric underfloor heating circuits



Stock Code	Description	Load
RCD-01	RCD Fused Spur	13A

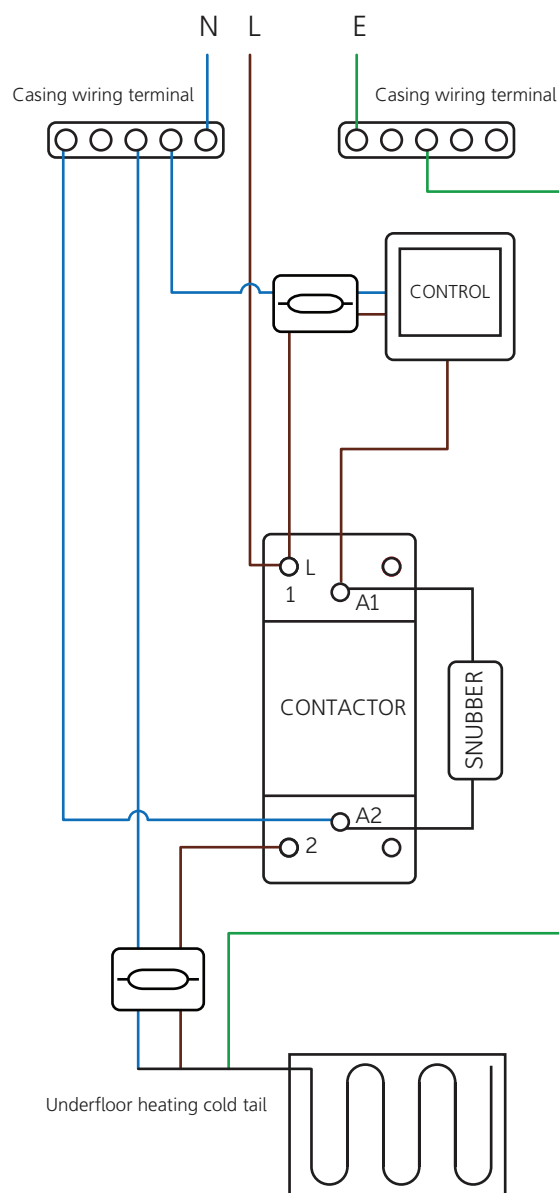
Contacteur snubber



Control electric underfloor heating circuits larger than 16A from a single control.

If the total load of your underfloor heating circuit exceeds 16A, and you want to control it from one thermostat, then you must install a suitably rated Contacteur snubber.

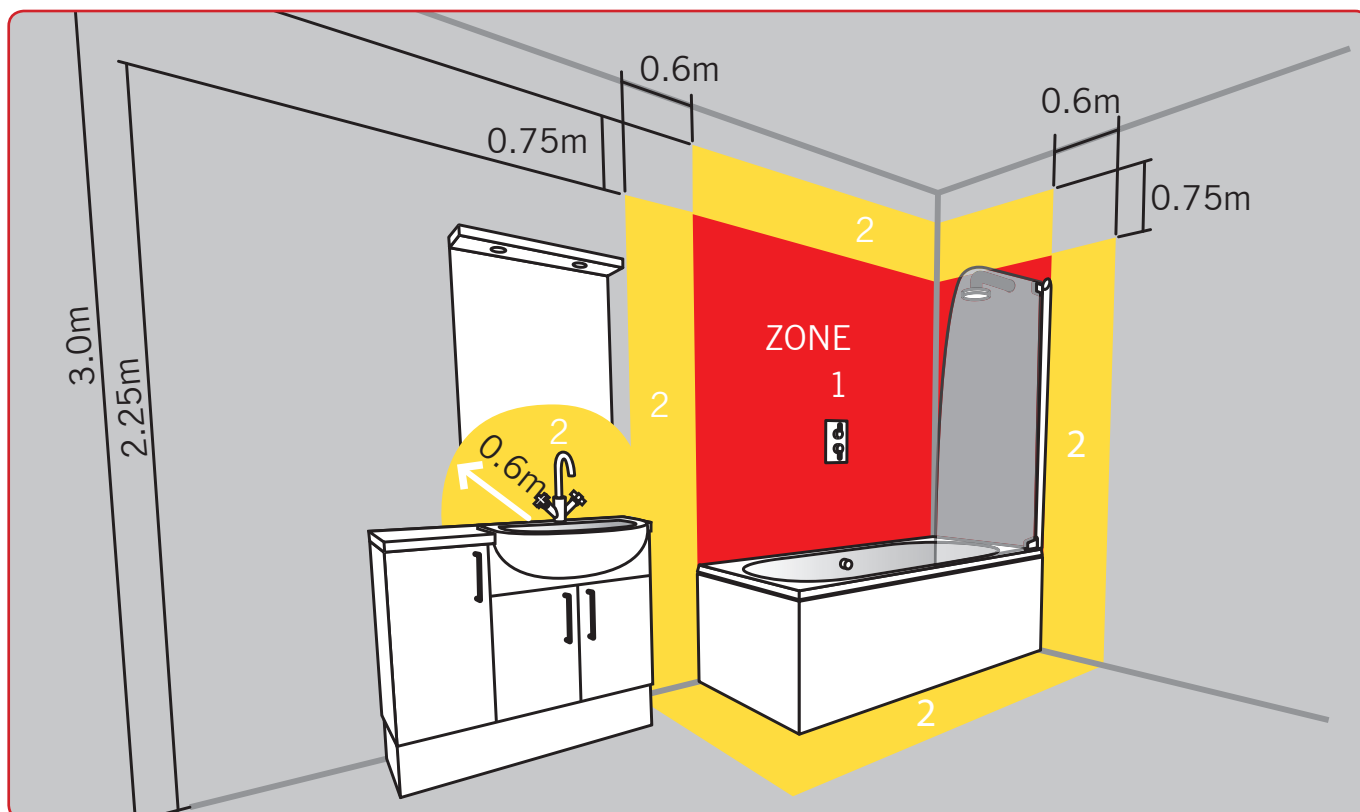
Stock Code	Description	Size
CSN-023	25A Contacteur/Snubber	5700W
CSN-040	40A Contacteur/Snubber	9000W
CSN-063	63A Contacteur/Snubber	14440W



Multiple mats must be wired in parallel

Electrical safety in bathrooms

Any electrical appliances must be installed in an area that complies with the product's IP rating. "IP" stands for Ingress Protection and the second number relates to how waterproof a product is. IP ratings are very important in bathrooms.



Zone 0 - IPX7

Inside the bath or shower areas. Any fitting used in these areas must be low voltage (SELV 12V) and a rating of at least IPX7 is required.

Zone 1 - IPX4

This is the area above the bath to a height of 2.25m from the floor and 1.25m from the water source. A minimum rating of IPX4 required.

Zone 2 - IPX4

Areas 0.6m outside the perimeter of Zone 1 and also covers a radius of 0.6m around a wash basin. A minimum rating of IPX4 is required.

Outside Zones

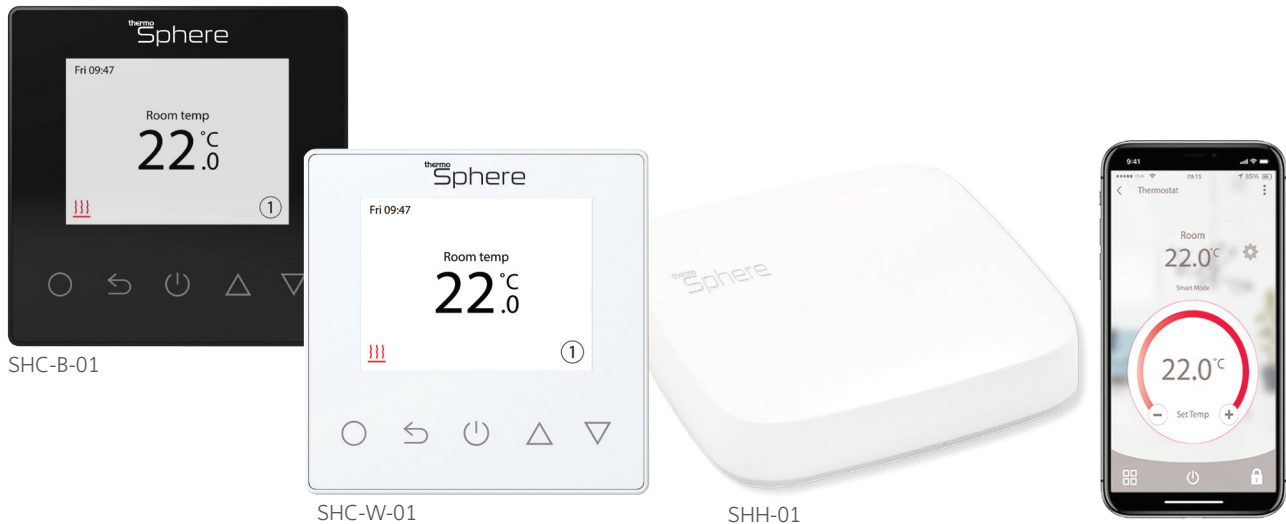
No specific IP rating requirement unless they are going to be subjected to water jets for cleaning purposes. In this case IPX5 is the minimum.

All Zones

All electrical circuits in bathrooms must be protected by a suitably rated residual current device (RCD).

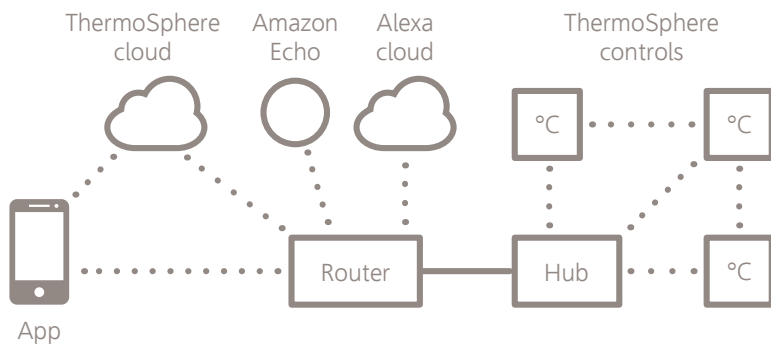
Zonal Guidelines

All electrical work should be carried out by a qualified electrician in accordance with relevant local regulations.



ThermoSphere SmartHome controls that work with Alexa

- ✓ Works with Alexa via the ThermoSphere SmartHome Hub
- ✓ 7 day programmable underfloor heating schedule
- ✓ Tracks your energy use to help save money
- ✓ Can be used as a standalone electric underfloor heating thermostat
- ✓ Control from anywhere with the ThermoSphere iOS & Android app



Wireless connection requires:

- ThermoSphere SmartHome Hub
- ThermoSphere SmartHome control
- Broadband internet
- An available port on your router
- ThermoSphere app on a compatible iOS or Android device
- Approximate range limit 20m open field
- Amazon Echo device required for Alexa voice control

Stock Code	Description	Wifi	Colour	Size (mm)	IP Rating	Max Load
SHC-W-01	SmartHome Control	Yes	White	87 x 87 x 14	IP21	16A
SHC-B-01	SmartHome Control	Yes	Black	87 x 87 x 14	IP21	16A
SHH-01	SmartHome Hub	Yes	White	95 x 95 x 20	IP30	



thermo Sphere

TS_SB_AF01

 @_Thermosphere

 _Thermosphere

 /Thermosphere

ThermoSphere
Pattenden Lane
Marden
Kent
TN12 9QJ

0800 019 5899
hello@thermosphere.com
www.thermosphere.com

ThermoSphere is a trading name of Thermogroup Ltd.

Excellence in heating **solutions.**