

Table for information requirements for electric local space heaters					P
Model identifier(s): TSGFR-2000-B					
Item	Symbol	Value	Unit	Item	Unit
Heat output				Type of heat input, for electric local space heaters only (select one)	
Nominal heat output	P _{nom}	2.0	kW	Manual heat charge control with integrated thermostat	[no]
Minimum heat output (indicative)	P _{min}	1.0	kW	Manual heat charge control with room and/or outdoor temperature feedback	[no]
Maximum continuous heat output	P _{max}	1.98	kW	Electronic heat charge control with room and/or outdoor temperature feedback	[no]
Auxiliary electricity consumption				Fan assisted heat output	
At nominal heat output	e _{lmax}	1.985	kW	Type of heat output/room temperature control (select one)	
At minimum heat output	e _{lmin}	0.979	kW	Single stage heat output and no room temperature control	[no]
In standby mode	e _{lSB}	0.0004	kW	Two or more manual stages, no room temperature control	[no]
				With mechanic thermostat room temperature control	[no]
				With electronic room temperature control	[no]
				Electronic room temperature control plus day timer	[no]
				Electronic room temperature control plus week timer	[yes]
Auxiliary electricity consumption					
				Room temperature control, with presence detection	[no]
				Room temperature control, with open window detection	[yes]
				With distance control option	[no]
				With adaptive start control	[no]
				With working time limitation	[no]
				With black bulb sensor	[yes]
Contact details:					
Remark: For electric local space heaters, the measured seasonal space heating energy efficiency η_s cannot be worse than the declared value at the nominal heat output of the unit.					

thermo
Sphere

SLIMLINE PANEL HEATER WITH DIGITAL TIMER



Model: TSGFR-1500-B
TSGFR-2000-B

User instructions
Please read and save these instructions

BEFORE FIRST USE

Read and follow all the instructions in this manual even if you feel you are familiar with the product, and find a place to keep it handy for future reference.

For your convenience record the complete model number (located on the product identification plate) and the date you received the product, together with your purchase receipt and attach to the warranty and service information. Retain in the event that warranty service is required.

NOTE: The rating of this product (as marked on the product identification plate) is based on specific loading tests. Normal use or the use of other recommended attachments may draw significantly less power.

IMPORTANT SAFEGUARDS

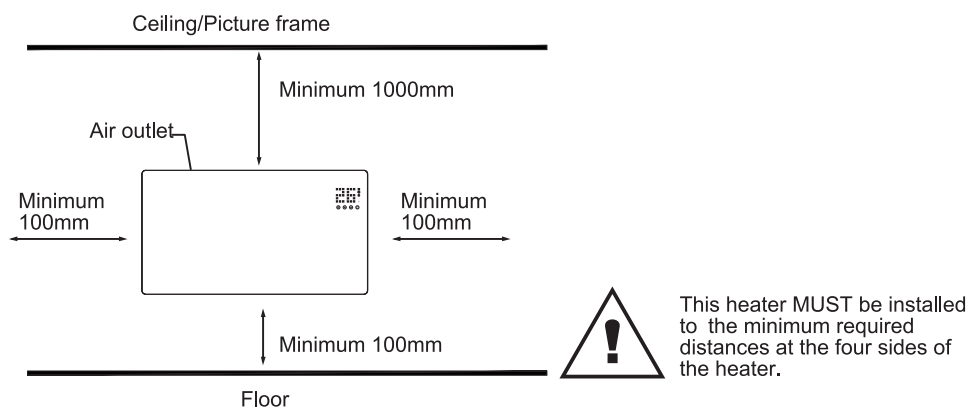
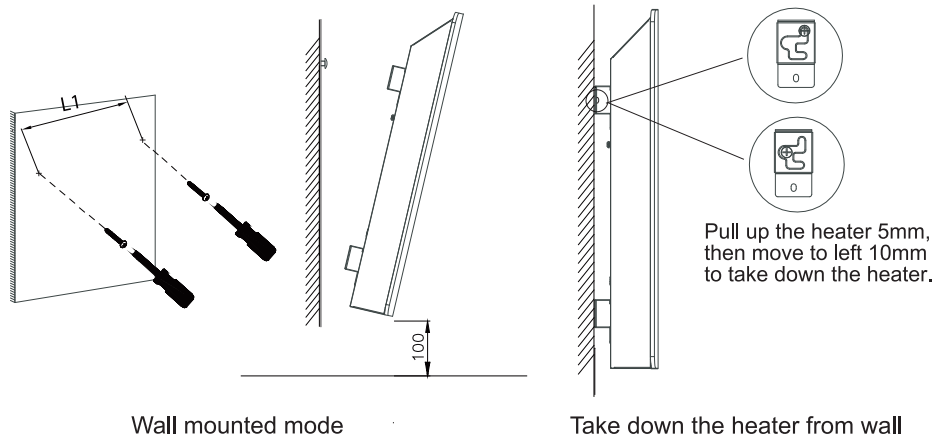
When using any electrically powered product, basic safety precautions should always be followed, including the following:

PLEASE READ ALL INSTRUCTIONS CAREFULLY BEFORE USING THE PRODUCT.

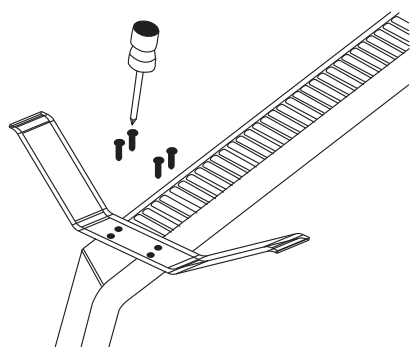
WARNING - to reduce the risk of fire, electrical shock or injury to persons or property:

- Read all instructions before using this appliance and keep them for future reference.
- Use only the voltage specified on the rating plate of the heater.
- Do not cover or restrict airflow to the inlet or exhaust grilles in any manner as the appliance may overheat and become a fire risk.
- Do not cover grilles, block entry or exhaust of airflow by placing appliance against any surface. Keep all object at least 1 meter from the front, side and rear of the appliance.
- Do not place the appliance close to a radiant heat source.
- Do not operate in areas where gasoline, paint or other flammable liquids are used or stored.
- This appliance heats up when in use. To avoid burns, do not let bare skin touch hot surface. Switch off and let cooling before moving.
- Do not use the appliance to dry clothes.
- Do not insert or allow foreign object or metal utensils to enter any ventilation or exhaust opening, as this may cause an electric shock, fire or damage to the appliance.
- Do not immerse in liquid or allow running into the interior of the appliance, as this could create an electrical shock hazard.
- Do not reach for an appliance that has fallen into water. Switch of at supply and unplug immediately.
- Do not operate any appliance with a damaged cord, plug or after the appliance malfunctions or has been dropped or damaged in any manner. Return to a qualified electrical person for examination, electrical or mechanical adjustment, service or repair.
- Do not operate appliance with wet hands.
- The most common cause of overheating is deposits of dust or fluff in the appliance. Ensure these deposits are removed regularly by unplugging the appliance and vacuum cleaning air vents and grilles.
- Do not use this appliance in a window as rain may cause electric shock.
- Do not use a abrasive cleaning products on this appliance. Clean with a damp cloth (not wet) rinsed in hot soapy water only. Always remove plug from the mains supply before cleaning.
- Do not connect the appliance to the mains voltage until completely assembled and adjusted.

Table for information requirements for electric local space heaters					P
Model identifier(s): TSGFR-1500-B					
Item	Symbol	Value	Unit	Item	Unit
Heat output				Type of heat input, for electric local space heaters only (select one)	
Nominal heat output	Pnom	1.5	kW	Manual heat charge control with integrated thermostat	[no]
Minimum heat output (indicative)	Pmin	0.75	kW	Manual heat charge control with room and/or outdoor temperature feedback	[no]
Maximum continuous heat output	Pmax	1.48	kW	Electronic heat charge control with room and/or outdoor temperature feedback	[no]
Auxiliary electricity consumption				Fan assisted heat output	[no]
At nominal heat output	elmax	1.485	kW	Type of heat output/room temperature control (select one)	
At minimum heat output	elmin	0.72	kW	Single stage heat output and no room temperature control	[no]
In standby mode	eISB	0.0003	kW	Two or more manual stages, no room temperature control	[no]
				With mechanic thermostat room temperature control	[no]
				With electronic room temperature control	[no]
				Electronic room temperature control plus day timer	[no]
				Electronic room temperature control plus week timer	[yes]
Auxiliary electricity consumption					
				Room temperature control, with presence detection	[no]
				Room temperature control, with open window detection	[yes]
				With distance control option	[no]
				With adaptive start control	[no]
				With working time limitation	[no]
				With black bulb sensor	[yes]
Contact details:					
Remark: For electric local space heaters, the measured seasonal space heating energy efficiency η_s cannot be worse than the declared value at the nominal heat output of the unit.					



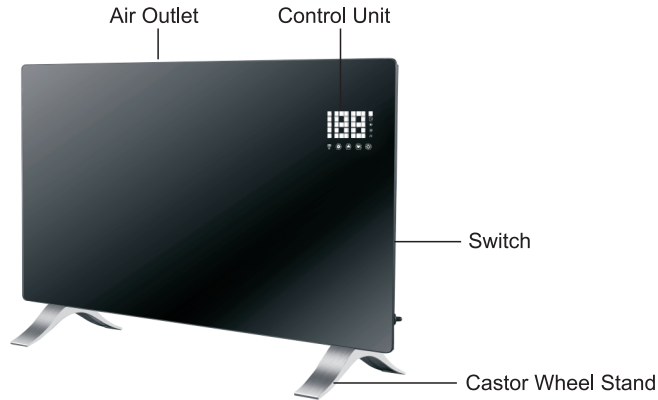
Caster Installation&removal



- This appliance is not intended for use in outdoor locations.
- Do not use this appliance in the immediate surrounds of a bath, a shower or a swimming pool or other liquids.
- Always operate upright.
- Switch off and let cooling before moving.
- Do not operate with cord set coiled up as a build up of heat is likely, which could be sufficient to become a hazard.
- The use of an extension cord with this appliance is not recommended.
- Do not remove plug from power socket until the appliance has been switched off.
- Do not remove plug from power socket by pulling the supply cord-always grip plug.
- Always unplug appliance when not in use.
- CAUTION: This product is NOT suitable to be used on long pile carpets or Flokati rugs.
- Do not allow cord to come in contact with heated surface during operation.
- Do not run cord under carpeting, throw rugs or runners etc. Arrange cord away from traffic areas so that it will not be tripped over.
- Do not twist, kink or wrap the cord around the appliance, as this may cause the insulation to weaken and split. Always ensure that all cord has been removed from any cord storage area.
- Do not use outdoors or whilst standing on a damp floor.
- Do not store appliance while it is still hot.
- This appliance is not intended for use by young children or infirm persons without supervision.
- Young children should be supervised to ensure they do not play with the appliance.
- The appliance must not be located immediately below a socket-outlet.
- Do not use this appliance with another programmer, timer or any other device that switches the heater on automatically, since a fire risk exists if the appliance is covered or positioned incorrectly.
- All covers of this appliance is intended to prevent direct access to the heating elements and must be in place when the appliance is in use.
- WARNING: In order to avoid overloading, do not cover the heater."
- To reduce the risk of electric shock, do not immerse or expose the product or flexible cord to rain, moisture or any liquid other than those necessary for correct operation of the product.
- the fireguard does not give full protection for young children and for infirm persons.
- If the supply cord is damaged, it must be replaced by a qualified electrical persons in order to avoid a hazard.
- Do not use this appliance outdoors or on wet surfaces Avoid spilling liquid on the appliance .
- CAUTION: In order to avoid a hazard due to inadvertent resetting of the thermal cutout, this appliance must not be supplied through an external switching device, such a timer, or connected to a circuit that is regularly on and off by the utility."
- Use this appliance only as described in this manual. Any other use is not recommended by the manufacturer and may cause fire, electric shock or injury.
- This appliance is intended for household use only and not for commercial or industrial use.

Overview of the appliance

Fig.1

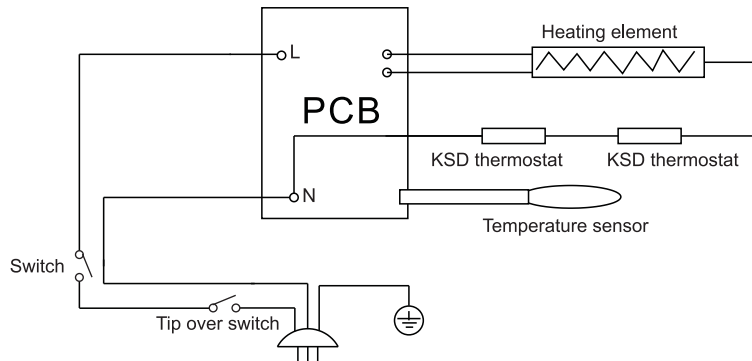


Specifications

Model Number	TSGFR-1500-B	TSGFR-2000-B
Rated Power	750W/1500W	1000W/2000W
Rated Voltage	220-240V~ 50Hz	
Dimensions(mm)	675*105*450	835*105*450

1. The function module

Circuit Diagram



The heater requires regular cleaning to ensure trouble-free operation:

- Unplug the heater from the mains supply before cleaning.
- Ensure that the heater has been allowed to cool down completely before cleaning.
- Use a damp cloth (not wet) to wipe the exterior of the heater to remove dust and dirt.
- Use a vacuum cleaner to remove dust and fluff from around the grilles.
- Ensure the heater is dry before plugging back into the mains supply.

5.Warning

1. Fixing the heater rightly on the wall or put the heater in the right position.
2. The heater is to be installed so that the controls cannot be touched by a person using a bath or shower.
3. The heater is to be installed so that it is not located directly under a socket outlet.
4. When the heater is working as it is in free standing mode with the foot set, please do not use it in the vicinity of bath, shower, or swimming pool.
5. When the heater is working as it is in wall mounted mode, do not touch the control unit when using it in the vicinity of bath, shower or swimming pool.
6. Consult a qualified electrician or service technician If the power cord is damaged.
7. DO NOT cover the heater when it is working.
8. Always store the heater when not in use.
9. Make sure the heater has cooled down before store it away.

6.Service

When you require service, contact your local dealer.

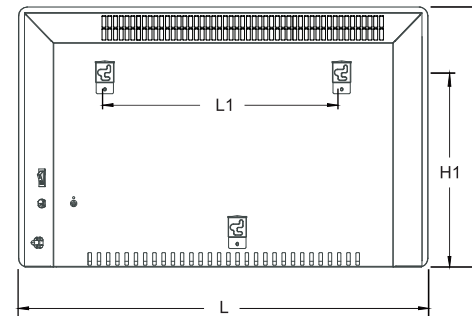
REPLACEMENT OF SUPPLY CORD

The supply cord damaged must be replaced by a service agent or equivalent qualified person in order to prevent a hazard.

7.Storage

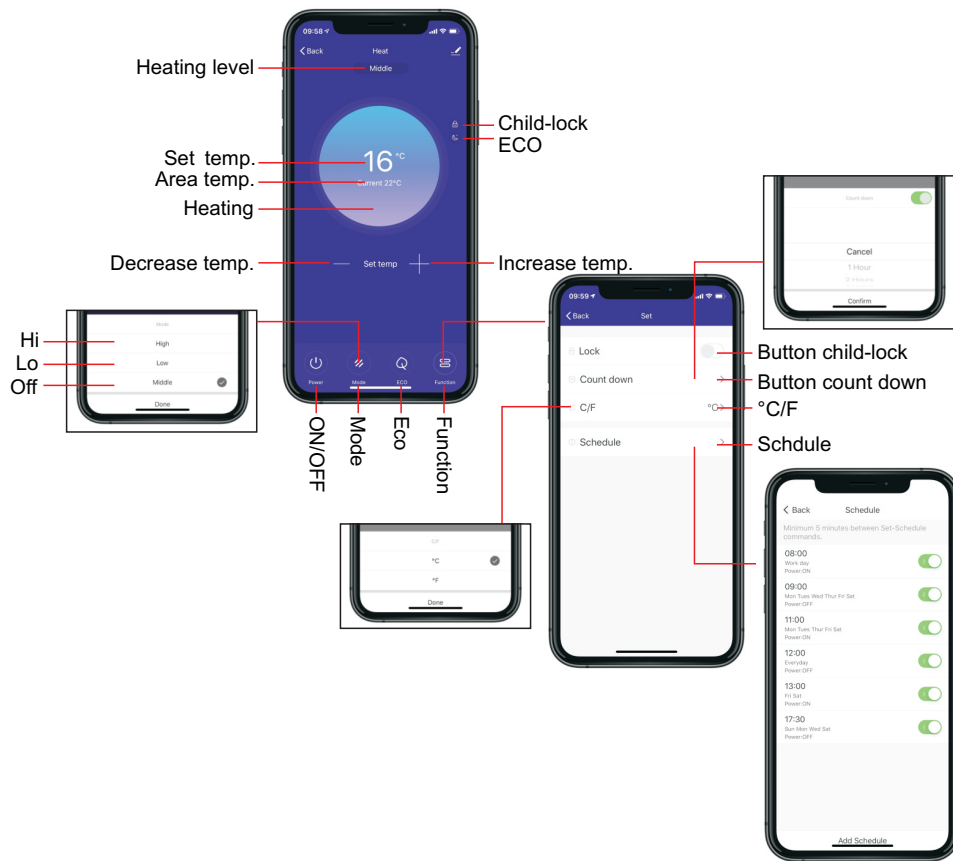
If you do not plan to use the heater for extended periods of time, it is recommended that the heater is cleaned and then stored (preferably in its original packaging) in a cool dry place.

Mounting Guide



Specification

MODE	POWER (W)	L mm	H mm	L1 mm	H1 mm
TSGFR-1500-B	750/1500	675	450	378	344
TSGFR-2000-B	1000/2000	835	450	538	344



3.Safety Feature

The unit is equipped with a high limit switch, the heater will automatically shut off if it is in an over-heating condition.

The heater will automatically turn back on when it has cooled down.

4.User tips

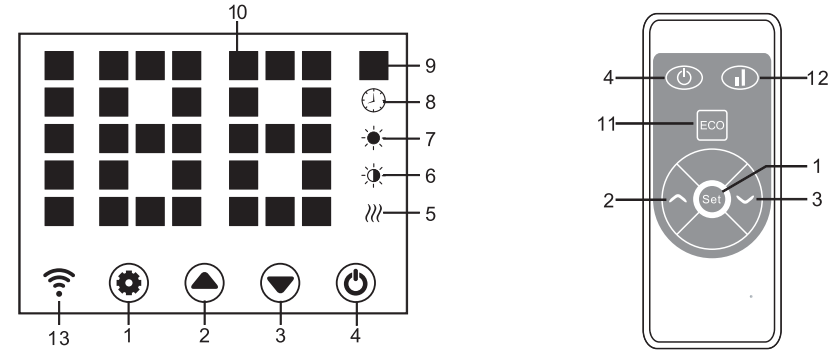
CLEANING INSTRUCTIONS

Cleaning behind the heater

It is very easy to clean behind it. Hold two sides of the heater ,after upwards pull the heater forwards.then you can clean behind.

After cleaning, the heater must be fixed in the normal position.

Fig.2 Control panel



Guide to the control panel

- “1” - Setting Button
- “2” - Up Button
- “3” - Down Button
- “4” - Power Button
- “5” - Heating Element Working Indicator
- “6” - Low Heating Indicator
- “7” - High Heating Indicator
- “8” - Timer Indicator
- “9” - Temperature(°C) Indicator
- “10” - LED Number Display
- “11” - LED Screen on-off Button
- “12” - Low/high Heating Selection
- “13” - Wi-Fi Indicator(solid when connected;otherwise,flashing)

2.Operation Guide

2.1 STARTING

2.1.1 Take out the heater from the carton carefully. Please save the carton for off-season storage.

2.1.2 Make sure the power switch is in the OFF position before plugging it in.

2.1.3 Ensure the heater is fully assembled according to the Mounting Guide.

2.1.4 It's better not to use the same electric outlet with other high wattage electrical appliances in order to avoid overloading your circuit.

2.2 TURN ON

Plug in the unit, the power indicator lights up after a short buzz . Press “ 4 ” to turn on the unit, room temperature is displayed while the whole screen will be light up and the default-factory set temperature is 35°C.

2.3 SETTING THE TEMPERATURE

Press“ 1 ”to set the temperature, “ 10 ”and“ 9 ”will flash , then press“ 2 ”or“ 3 ”arrow buttons to add 1°C or reduce 1°C. The maximum setting temperature is 45°C, while the minimum one is 5°C. Keeping pressing“ 2 ”or“ 3 ”to add or reduce 1°C in 0.5 S. The last setting temperature is the valid one. If no operation within 3S, the system will return the running state, “ 9 ”indicator will not flash while room temperature is displayed.

2.4 SETTING TIMER

Press“ 1 ”once again to set timer, setting time is displayed while timer indicator flash (the timer unit is hour). Pressing“ 2 ”or“ 3 ”to add or reduce 1 hour, the timer range is 0-24 hour. Keeping pressing“ 2 ”or“ 3 ”to add or reduce 1 hour in 0.5 second. The factory-set timer is 0

hour. With indicator lighting, the system starts to time according to last setting time if there is no operation for 5 seconds. Each time “ 2 ”or“ 3 ”is pressed to set timer, system restarts to time by new time, or it does by original one till timing is over, then turns off and stops working. The unit is turned off without buzz hint when timing is over.

2.5 TURN OFF

Keeping pressing “ 4 ”in any status to turn off the unit and power indicator keep light.

2.6 CHILDREN SAFETY LOCK FUNCTION

Under the working mode, press both “ 2 ” and “ 3 ” at the same time for 3 seconds to lock the system. Then a square “□” is displayed.

Methods to unlock: 1) Shut off the electric machine.

2) Press both “ 2 ” and “ 3 ” for 3 seconds.

2.7 POWER SELECTED

When did not enter any models, pressing “ 2 ” to select the output power, the heater will work the full rated output while “ 7 ” is displayed. Pressing “ 3 ” to switch to “ 6 ” heating mode. Or through high/low on the remote control switch button “ 12 ” to choose the output power.

2.8 ECO Mode

When unit is working, you long press its “ 1 ” and “ 3 ” (use for 3s) or “ 11 ” on the remote controller, it turns off some signal lights. Only its current power level “ 6 ” or “ 7 ” and “ 5 ” signal lights are on. When you press any button on the unit (or “ 11 ” button on the controller), the whole LED Screen lights up again.

2.9 WAKE UP Mode

The heater shows only area temperature on screen when in ready mode. You just touch (press) the screen below the numbers, then it wakes up and you could control its functions.

2.10 Switching The Display Between Degrees Fahrenheit And Celsius

Press the keys “1” and “2” (the two keys on the left) simultaneously for about 10 seconds.

3. Safety Feature

The unit is equipped with a high limit switch, the heater will automatically shut off if it is in an over-heating condition.

The heater will automatically turn back on when it has cooled down.

4. User tips

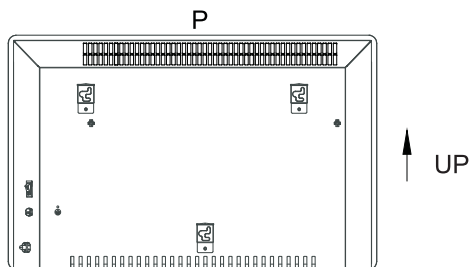
CLEANING INSTRUCTIONS

Cleaning behind the heater

It is very easy to clean behind it. Hold two sides of the heater, after upwards pull the heater forwards, then you can clean behind.

After cleaning, the heater must be fixed in the normal position.

Fig.3



1. Download APP

Users can use mobile phone scanning the QR code to download APP.



C Connect Heater

Enter app, fill in user detail. Clip add device-all devices-heater-confirm connection-enter WIFI password-confirm, then heater is connected. If connect fails, press heater panel button 1 for 3s, reset WIFI and try again.

