

FREE UK DELIVERY



SITE SURVEYS



10 YEAR GURANTEEE

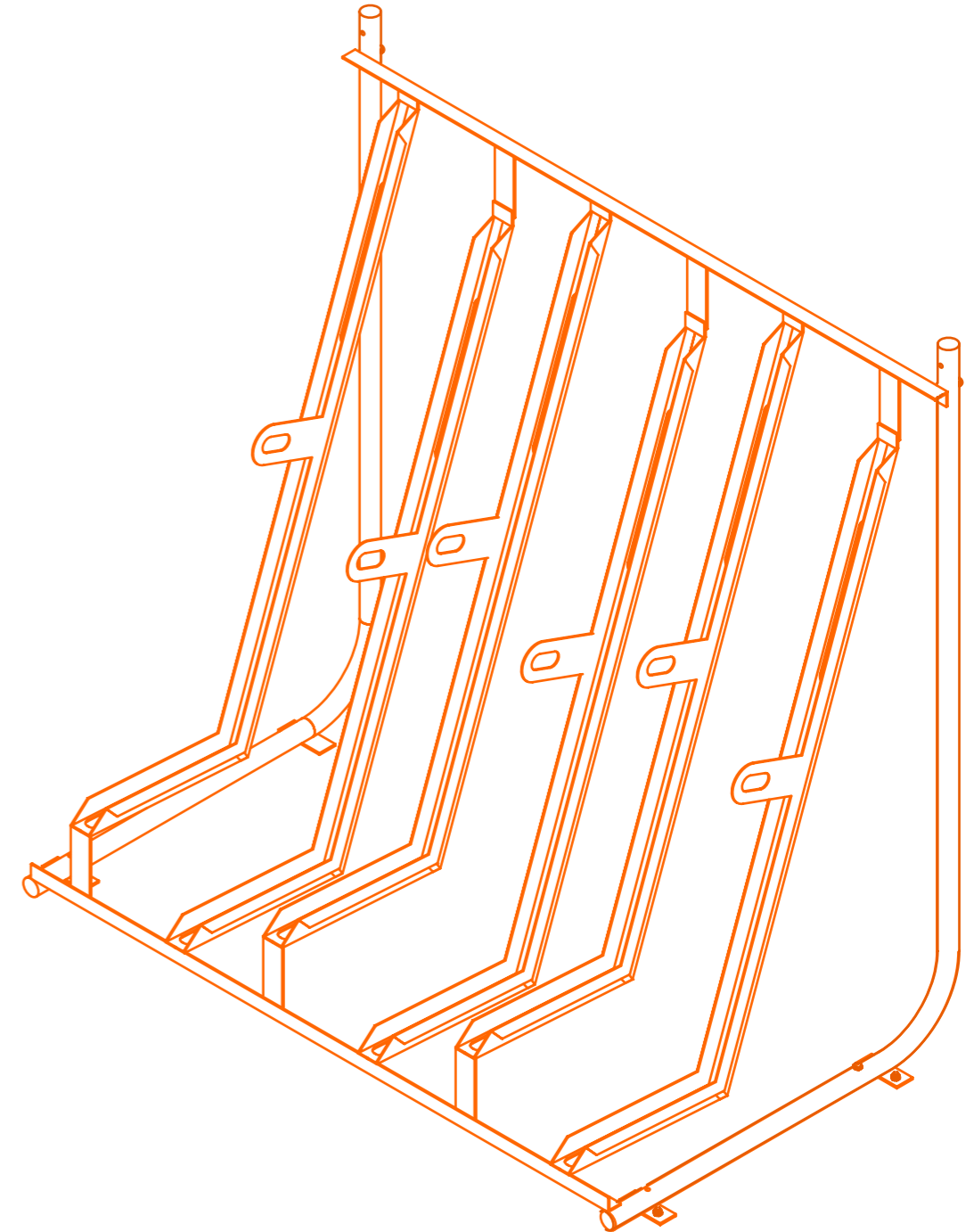


INSTALLATION SERVICE



MADE IN BRITAN

SEMI VERTICAL CYCLE RACK

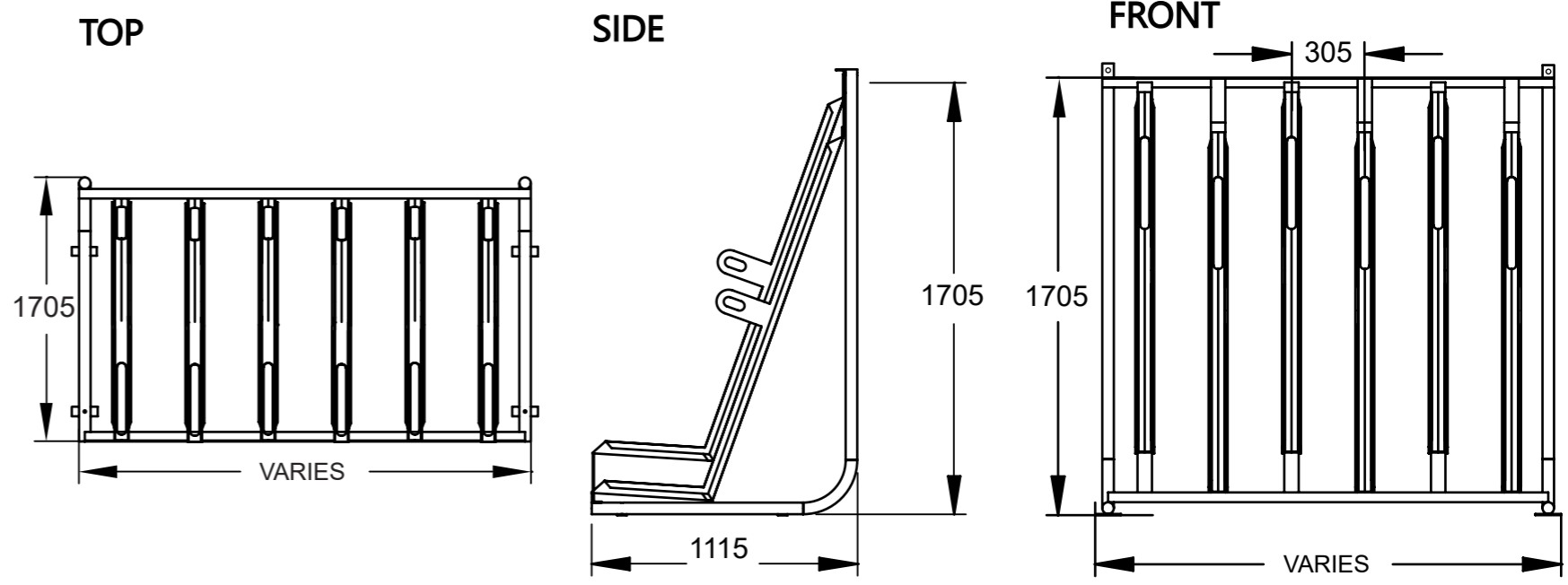


THE
BIKE STORAGE
COMPANY
SPECIFICATION DOCUMENT

0800 246 1723
www.thebikestoragecompany.co.uk
hello@thebikestoragecompany.co.uk
Foundry Building, 2 Smiths Square, 77 Fulham Palace Road W6 8AF.
Registered in England No. 9189322.



SEMI VERTICAL RACK

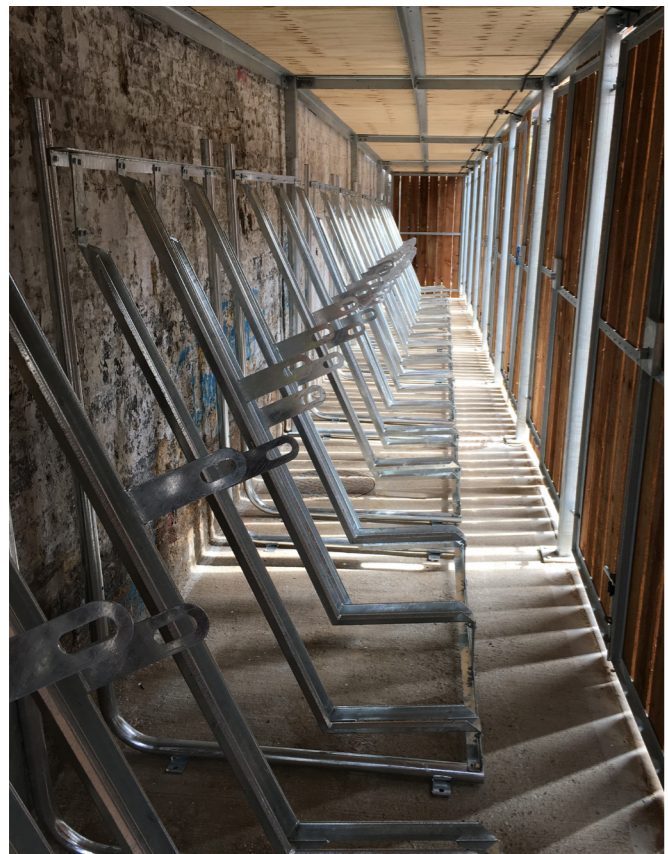


SUMMARY:

The Semi Vertical Rack is a simple to use, space saving solution allowing bike users to store bikes semi-vertically with both wheels secured together with a central locking hoop. Offering a practical bike storage solution for space-premium areas such as offices, car parks, universities and stations. BREEAM Compliant. With minimum maintenance and maximum durability, these racks are UK manufactured from hot dipped galvanised steel and provided with our unrivalled 10 year product warranty.

FEATURES:

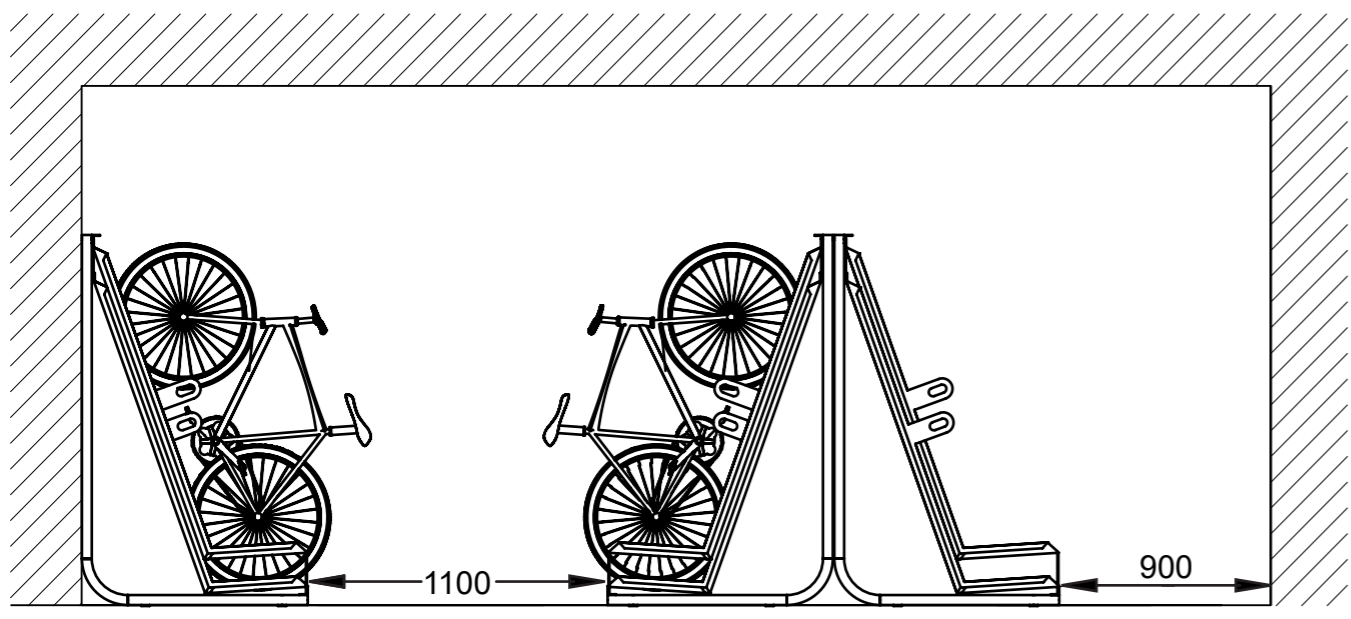
- Hot Dipped Galvanised to BS EN ISO 1461:2011
- Inclusive of secure locking hoop, allowing both wheels as well as frame to be secured
- 305mm Centres between channels
- Height – 1705mm
- Depth – 1115mm (Entrance space of 750mm advised)
- Fixtures and fittings included
- Racks priced per cycle space
- Manufactured in the UK
- Quantity Discounts and full installation service available – please call to discuss



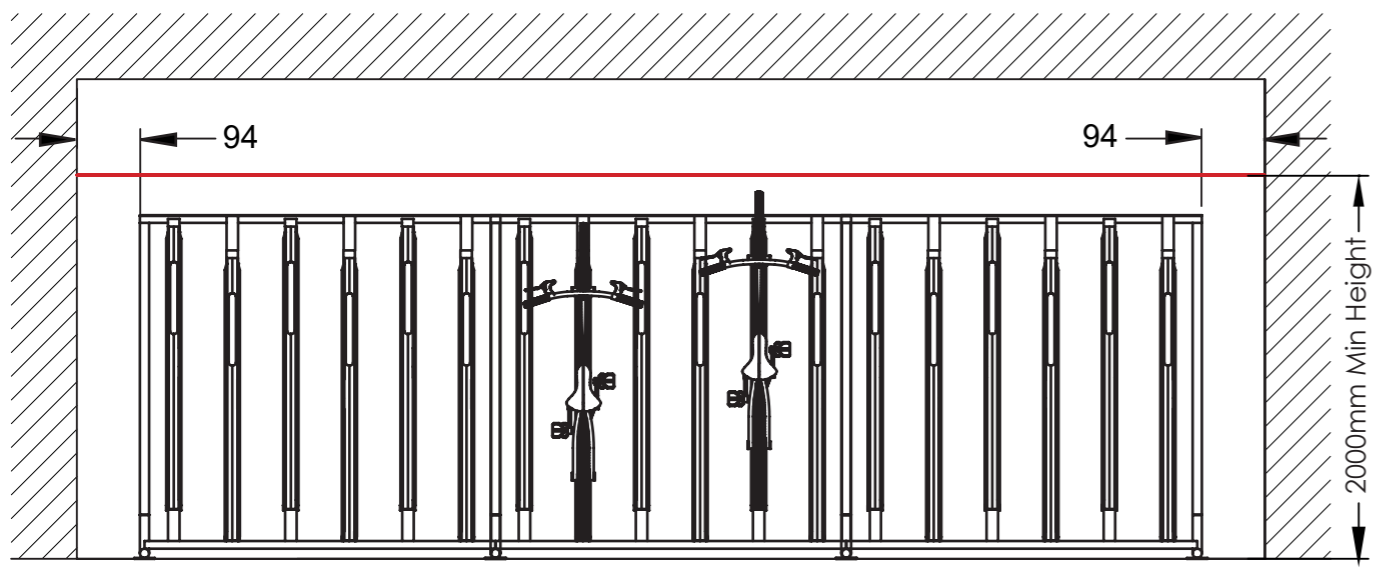
POTENTIAL LAYOUTS

- Install Requierments**
- Rack ro rack isle width: **1100mm**
 - Rack to wall isle Width: **900mm**
 - Center of rack leg to wall tolorenc: **94mm**
 - Minimum Ceilling Height: **2000mm**

SPACING REQUIERMENTS

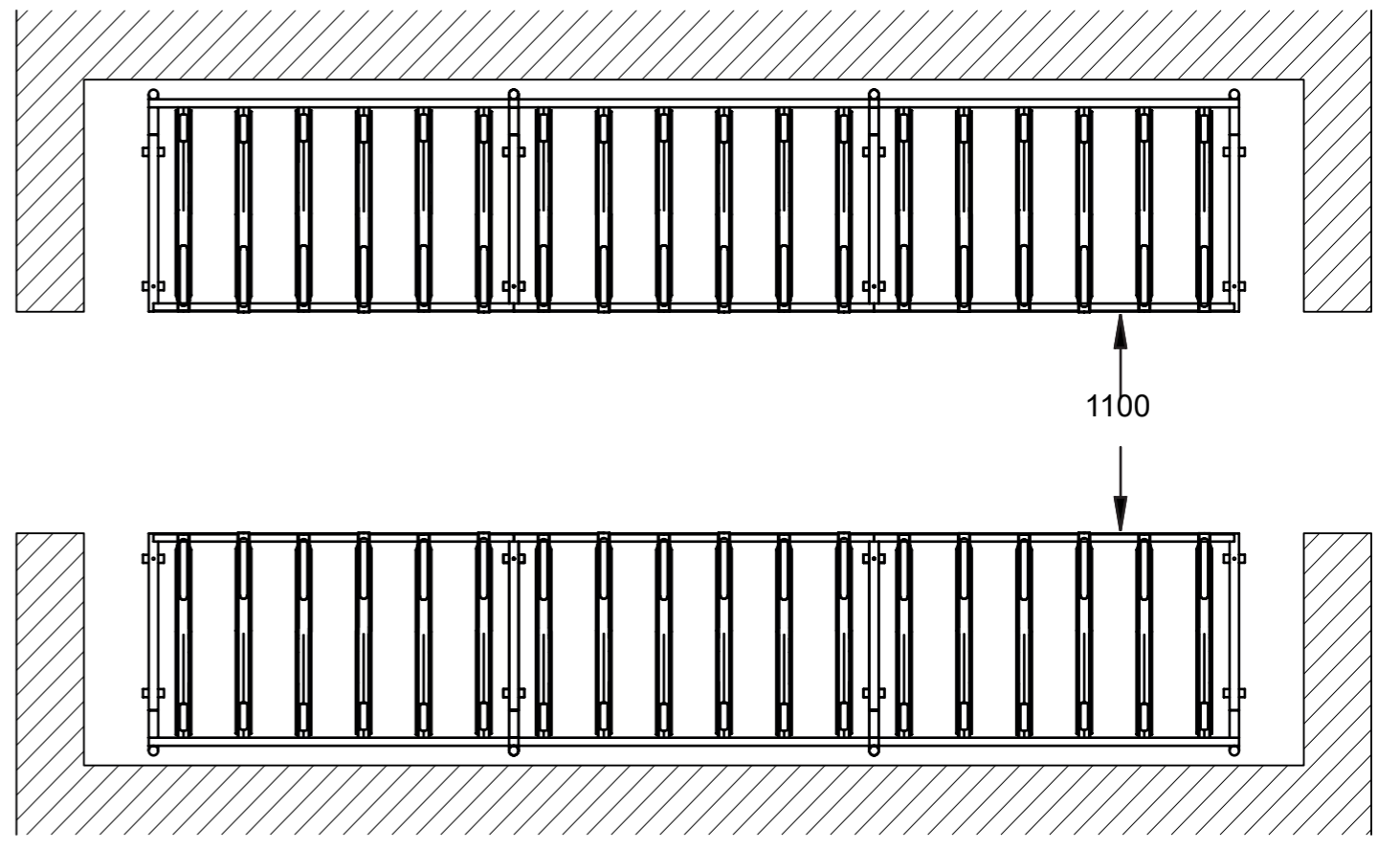


PLAN

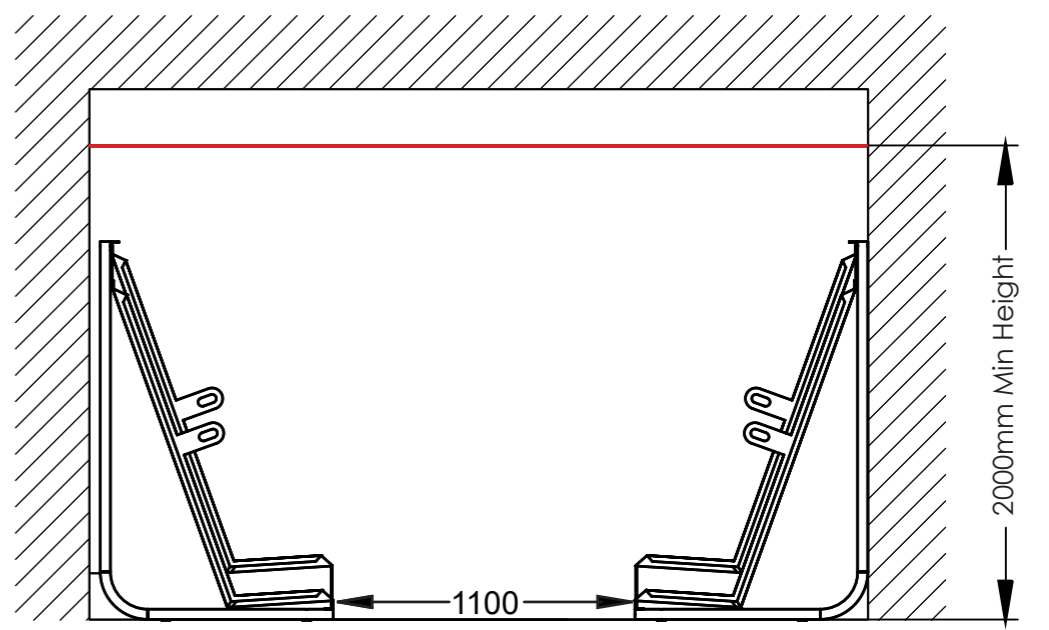


SIDE

LAYOUT 1

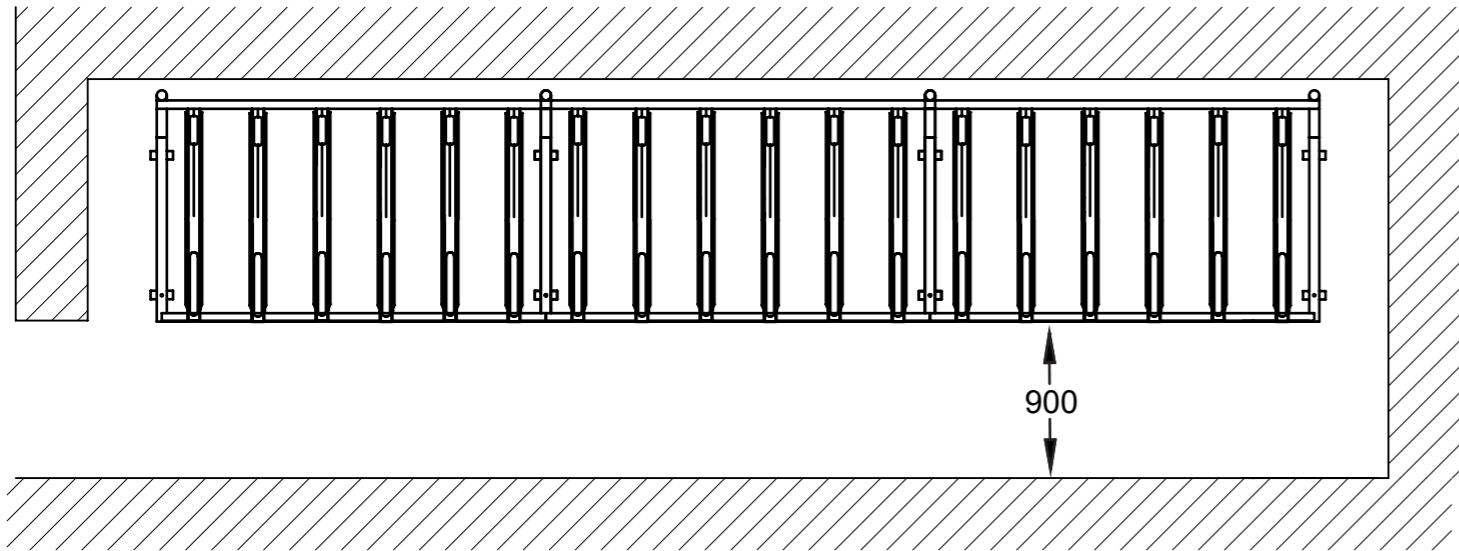


PLAN

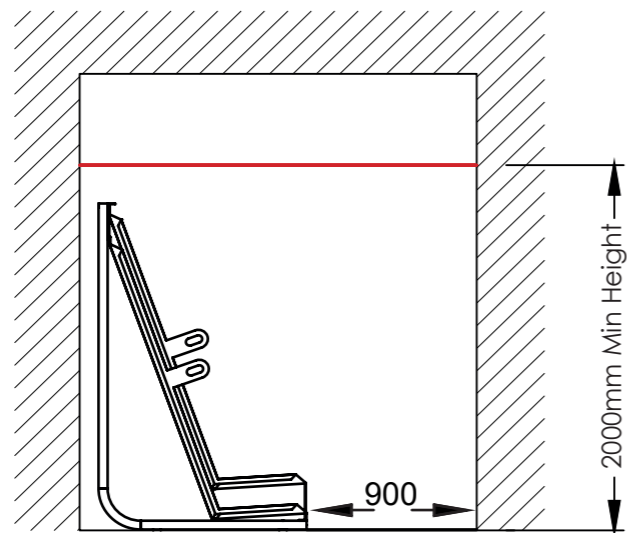


SIDE

LAYOUT 2

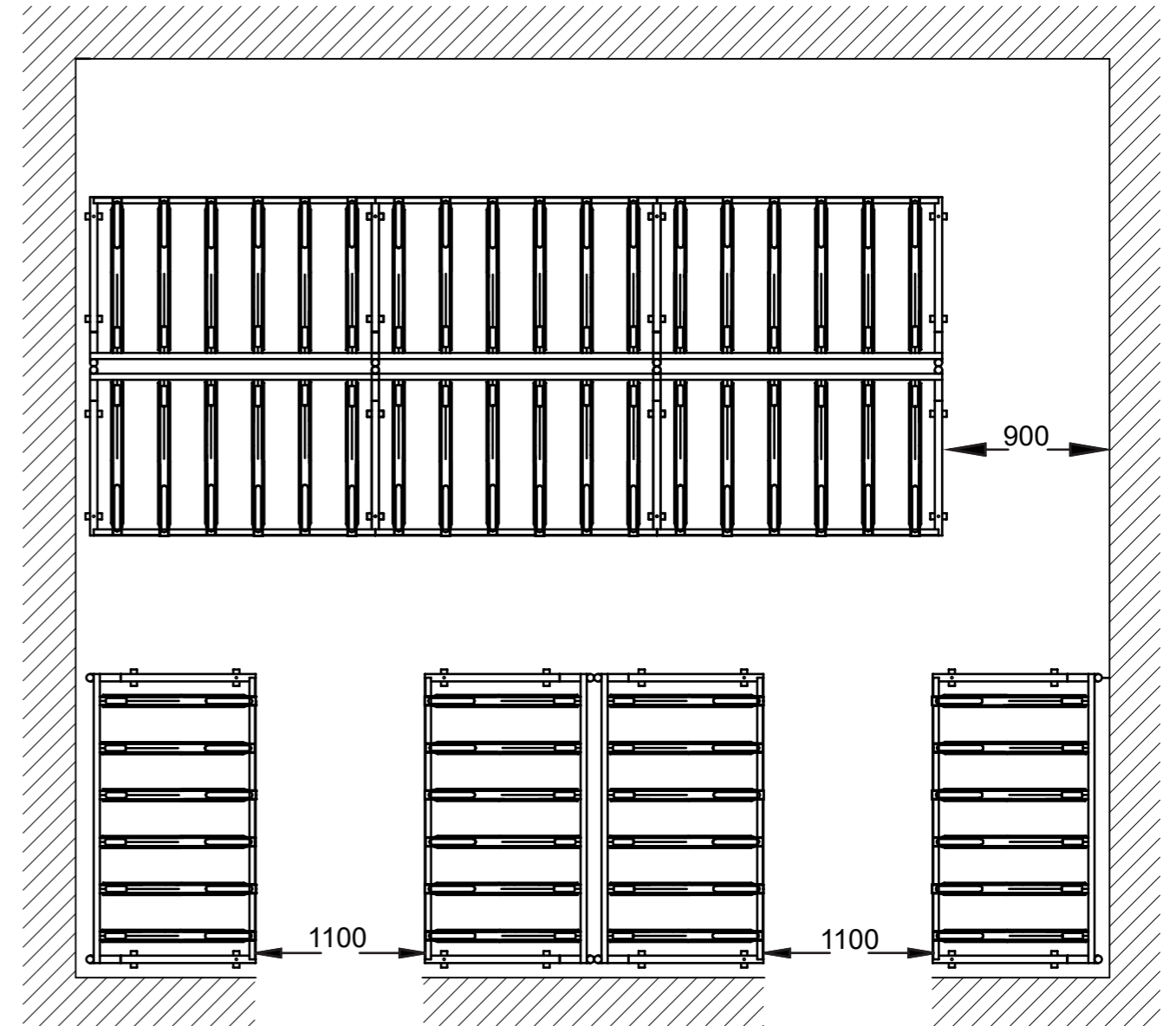


TOP

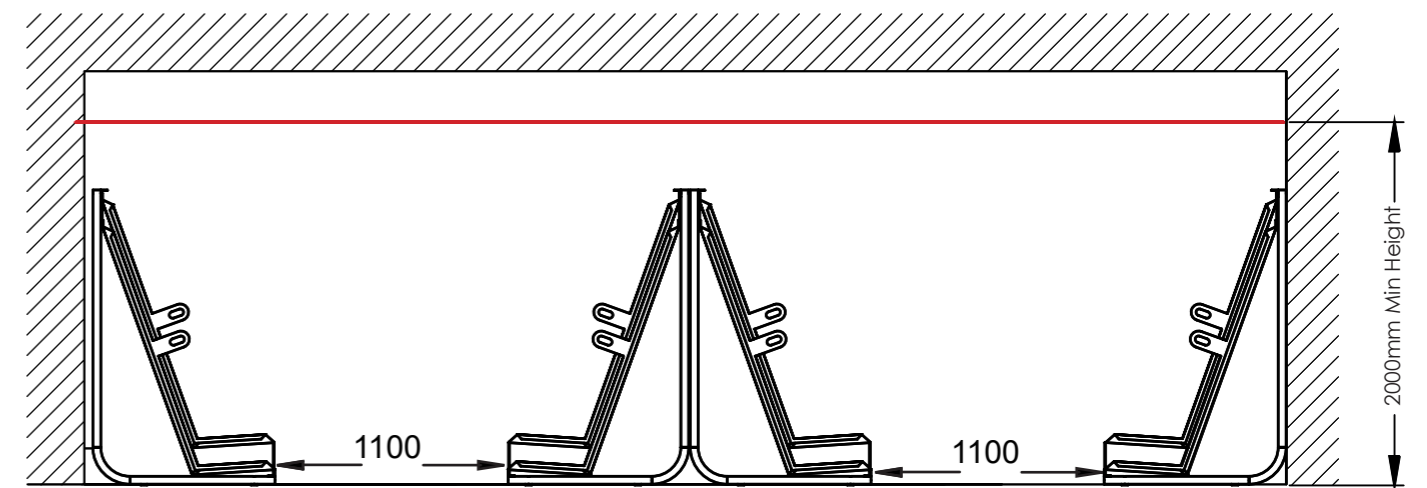


SIDE

LAYOUT 3



TOP



SIDE