

# Premium Range Fire Rated Access Panels

Code:R02FR



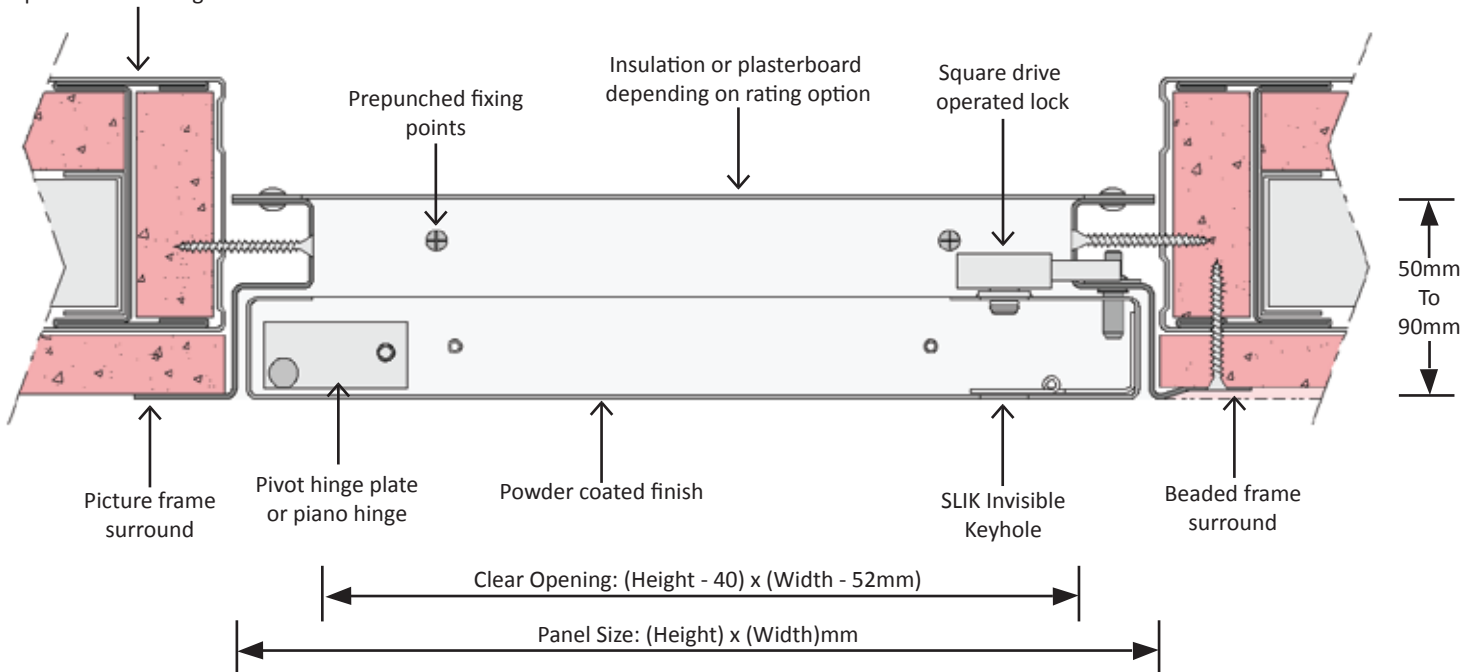
Fire Rated Access Panels provide fire rated protected openings in ceilings and walls for access to building engineering services. Available fire rated up to 2 hours, the doors are finished in powder coated white and can be over painted to blend with the surrounding surface. The larger panels have full length piano hinges with the smaller panels using unique pivot hinges. The Fire Rated Access Panel is a high quality robust solution suitable for everyday use and fitted with the 'Slik' invisible keyhole giving your client all the discrete advantages possible with an access panel.

There are two frame options for the Fire rated range. A beaded frame type (SBF) with perforated flange to key into the surrounding membrane. This is used where the surface has yet to be skimmed or tape and jointed. Or the picture frame, (PF), where the solid flange sits on the surface of the wall or ceiling. This covers the cut edge of the aperture and is used when the surface has already been finished and decorated.

The fire rating does not affect the appearance of the panel and the unique design enables panels to be fire rated without using heavyweight layers of plasterboard which can effect operation.

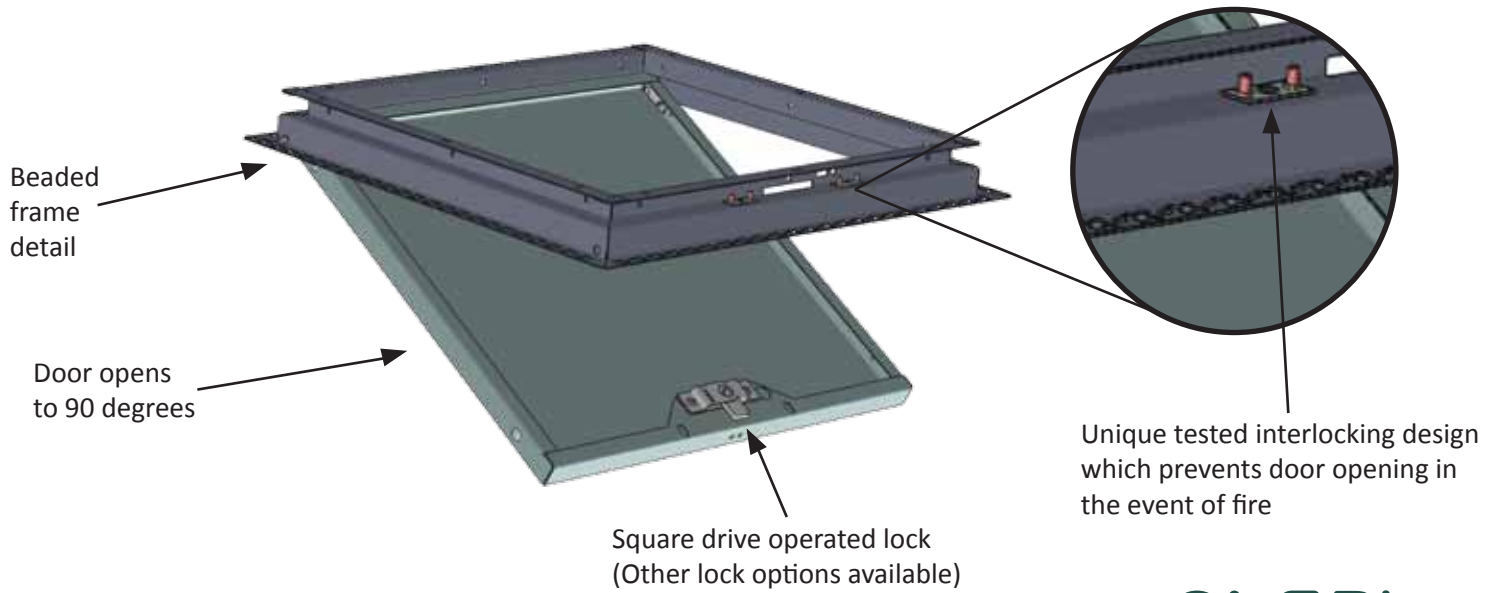


Example of surrounding construction



Our design office will be pleased to tailor a drawing to your exact requirements in your preferred format from 3D rendered images to line drawn DXF, DWG or other CAD formats.

## For Walls & Ceilings



## Technical & Fitting Details

**NS Plus**

**Door tray & frame** - Formed from 1.0mm and 1.2mm Zintec electro-galvanised mild steel with a 25mm wide frame either perforated or solid finished in polyester powder coat white RAL 9010 20% Gloss.

**Hinge & lock mechanism** - Factory fitted removable pivot hinge with inserted steel pins located into holes in the frame or continuous piano hinge to larger panels. Square drive operated lock riveted to the return fold of the door tray with tongue locating into a slot in the frame. Keyhole concealed by the patented Slik Invisible keyhole system. Euro Cylinder and three point lock option also available.

**Fire Rating** - Available with up to 1 hour or 2 hours fire rating. Fire testing undertaken independently by BM TRADA meeting both EN and BS standards in UKAS approved test laboratories. Certification available upon request.

**Further Information** - CAD DXF cross-section drawings and full technical specifications are available on request. Please call or email a member of our technical team for further information.

**Availability** - Stock sizes (as below) available with next day delivery if ordered before 2pm. Bespoke access panels available to order.

**Fitting Preparation** - Prepare a clear trimmed and protected opening in the structure 10mm larger than the ordered panel. When applicable create cutouts for the pivot hinges approx 10mm x 6mm so the pivot operation is clear.

**Fitting** - Screw fix using suitable screws through the pre-punched holes to all four sides of the frame. Use all fixing holes provided and the flange fixing holes in the SBF frame type. Finish the beaded frame in the same way as any plaster stop bead Complete the operation with door in frame where possible. To remove the door from the frame remove the pivot hinge plate with a cross head screwdriver or unbolt the piano hinge. When refitting and after any installation ensure the pivot hinge plates are fully located and flat to the inside edge of the door tray, that the piano hinge nuts are tight and if fitted, the retaining chains are in place.

**Air Tightness** - Thermally insulated and air-sealed options available, complying to building regulations parts L1 and L2, BS EN 12207:2000 BS EN 1026:2000.

**Acoustic Rating** - Available to a maximum reduction of 63 dB Rw. Testing carried out under laboratory conditions to BS EN ISO140-3: 1995 by an independent test center. More information available upon request.

## Operation & Maintenance

**Operation** - Using the "T" key supplied push the Slik Invisible keyhole system aside, engage the key into the lock then open and close while supporting the door. The Slik system replaces itself automatically to conceal the keyhole

**Maintenance** - Avoid abrasive cleaning materials. Annually or more frequently if used very regularly check the operation, especially the hinge points and lock. Tighten or oil as required.

## Stock Sizes

200 x 200 mm	300 x 300 mm	450 x 450 mm	600 x 300 mm
550 x 550 mm	600 x 600 mm	900 x 550 mm	900 x 600 mm
900 x 900 mm	1200 x 550 mm	1200 x 600 mm	

