

**IMPORTANT:** Read this manual before proceeding with installation of the bathtub and keep it with the other accompanying documents.

This manual is valid for the installation of tubs both with and without whirlpool.

## WARNINGS

### ■ **STANDARDS (See the INSTALLATION STANDARDS manual attached):**

Teuco whirlpool bathtubs are manufactured and tested in accordance with European standards to guarantee maximum user safety.

### ■ **HANDLING THE BATHTUB:**

When removing the bathtub from its packing and throughout handling operations, lift by the rim or the frame.

### ■ **CHECKS:**

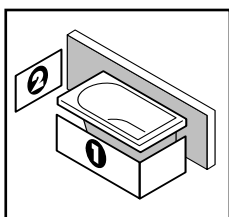
- Having removed the bathtub from the packing, inspect for possible defects.  
DAMAGE CAUSED BY IMPACT OR ABRASION IS NO LONGER COVERED BY WARRANTY ONCE THE TUB HAS BEEN INSTALLED.
- Make certain that plumbing and electrical connections are made as indicated in the preinstallation data sheet.
- The tub must be installed directly on the floor and against finished walls.
- All Teuco products are tested, inspected and packed before leaving the factory. When unpacked, the tub may contain traces of water from factory testing; before proceeding with final installation and completing masonry works, if any, run a further test as described under "OPERATION TEST" to make doubly certain that the product functions exactly as it should.
- If faults or substandard operation of the system are discovered, contact a Teuco technician or approved service centre.
- The company will acknowledge no liability for damage to appliances that have been tampered with.

*Data and specifications indicated in the manual are not binding on the company: Teuco Guzzini SpA reserves the right to make such changes as are deemed appropriate without notice or obligation to update.*

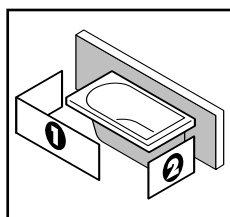
# 1 REMOVING THE PANELS

## PANELLED BATHTUBS ONLY

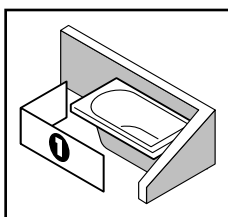
Examples of panelled tubs



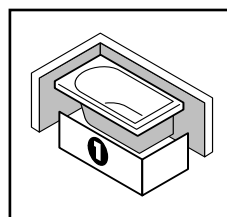
Bathtub with 2 panels



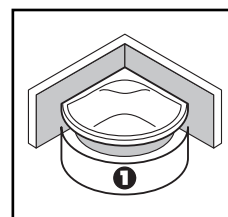
Bathtub with 2 panels



Bathtub with 1 panel

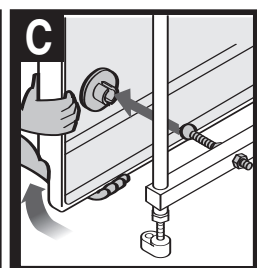
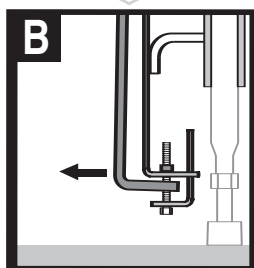
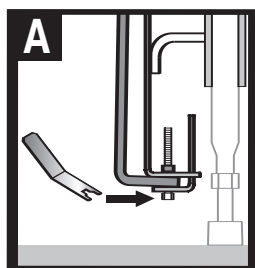
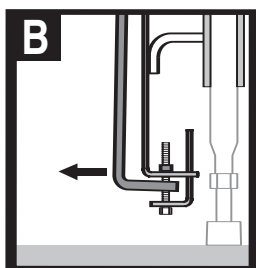
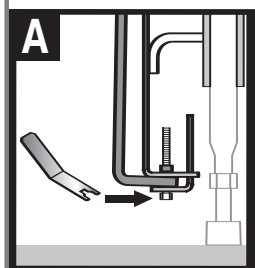
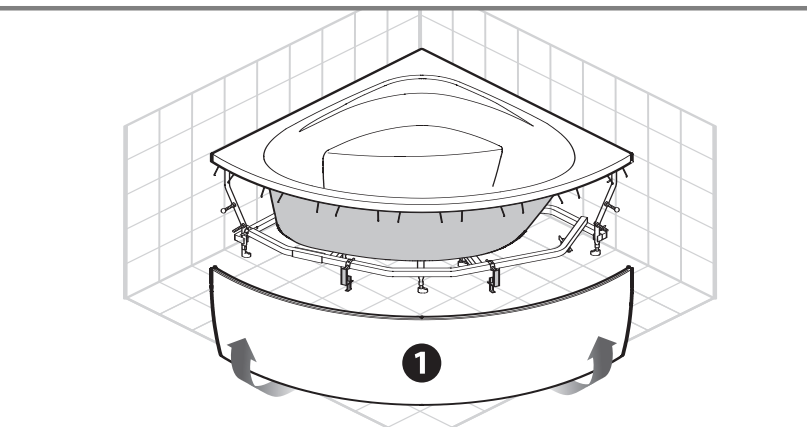
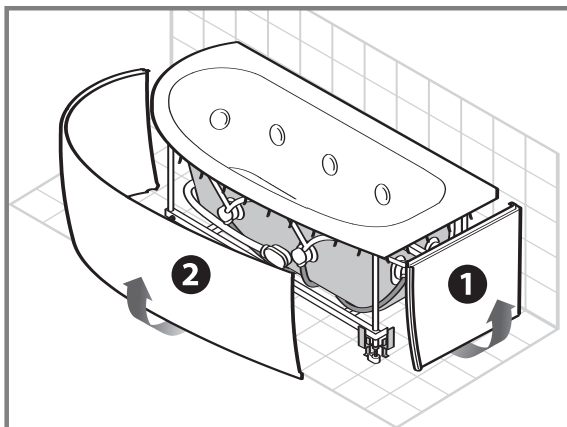


Bathtub with 1 panel



Corner bathtub with front panel

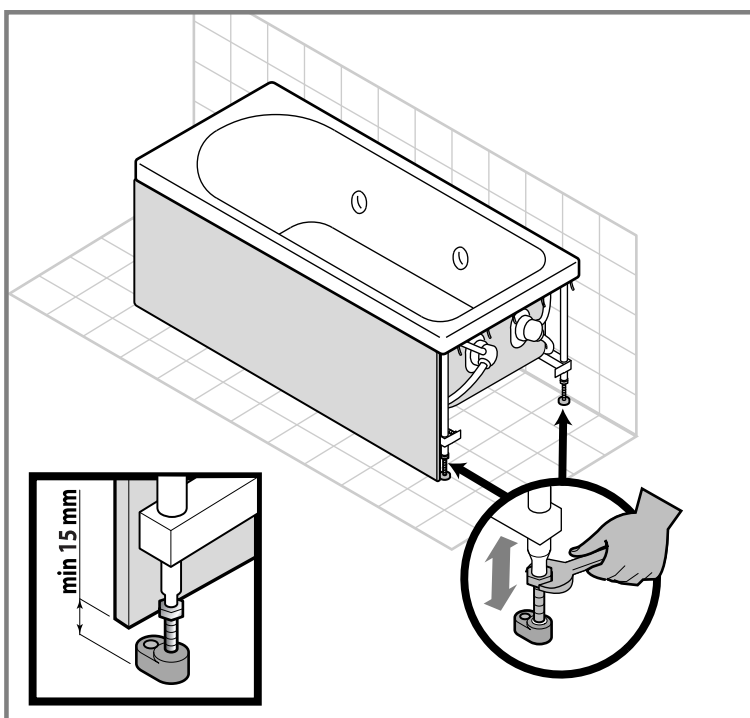
Loosen the screw with the special key (A), then lift and pull the panel as indicated (B), pull and release clips (C). Remove the panels in the sequence indicated: 1-2.



# 2 LEVELLING THE TUB

Position the bathtub in the selected place and level up, first by adjusting the outermost feet, then bringing the middle feet into contact with the floor.

Make the adjustment so as to leave a distance of 15 mm minimum between the floor and the bottom edge of the panel to allow for ventilation of the whirlpool system.



### 3 ELECTRICAL CONNECTIONS (tubs with whirlpool)

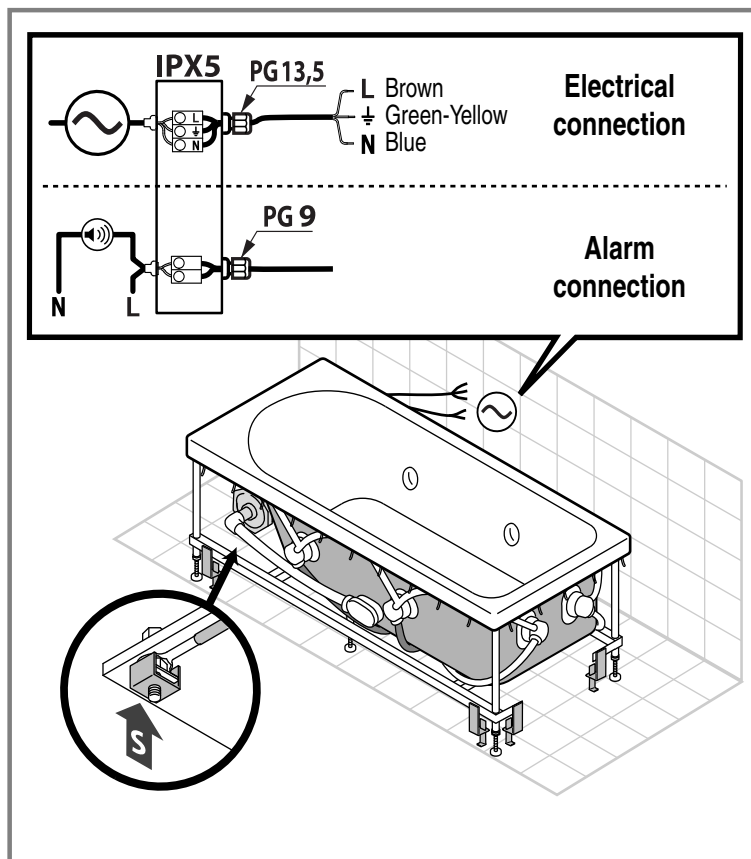
See the Installation Standards MANUAL ATTACHED .

Before making any electrical connections, check that the rated voltage and current of the appliance (see data plate) are matched to the mains power supply.

Connect the taps to terminal S (equipotential bonding point) with the Yellow-Green wire.

Use terminal S for the connection of any external wires that need to be equipotentially bonded.

Connect the alarm (🔊) - only if the bathroom is equipped with an alarm system.



### 4 PLUMBING CONNECTIONS

To ensure troublefree operation of the whirlpool system in areas with particularly hard water, it is advisable to install a water softener.

#### BATHTUBS WITH TAPS (Fig. a)

Connect the taps to the hot water supply (☀) and the cold water supply (❄) (for assembly of the taps, refer to the instructions attached).

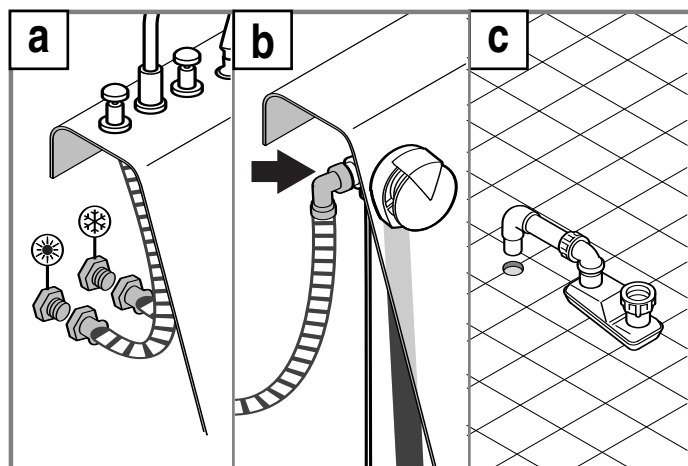
#### BATHTUBS WITH COMBINED OVERFLOW AND FILLER SPOUT (Fig. b)

Connect the hot-and-cold mix hose to the overflow filler spout.

**Be certain to observe local bylaws on backflow protection.**

#### DRAIN CONNECTION (Fig. c)

Connect the waste to the drain using the trap provided.



### 5 OPERATION AND WATERTIGHTNESS TEST (tubs with whirlpool)

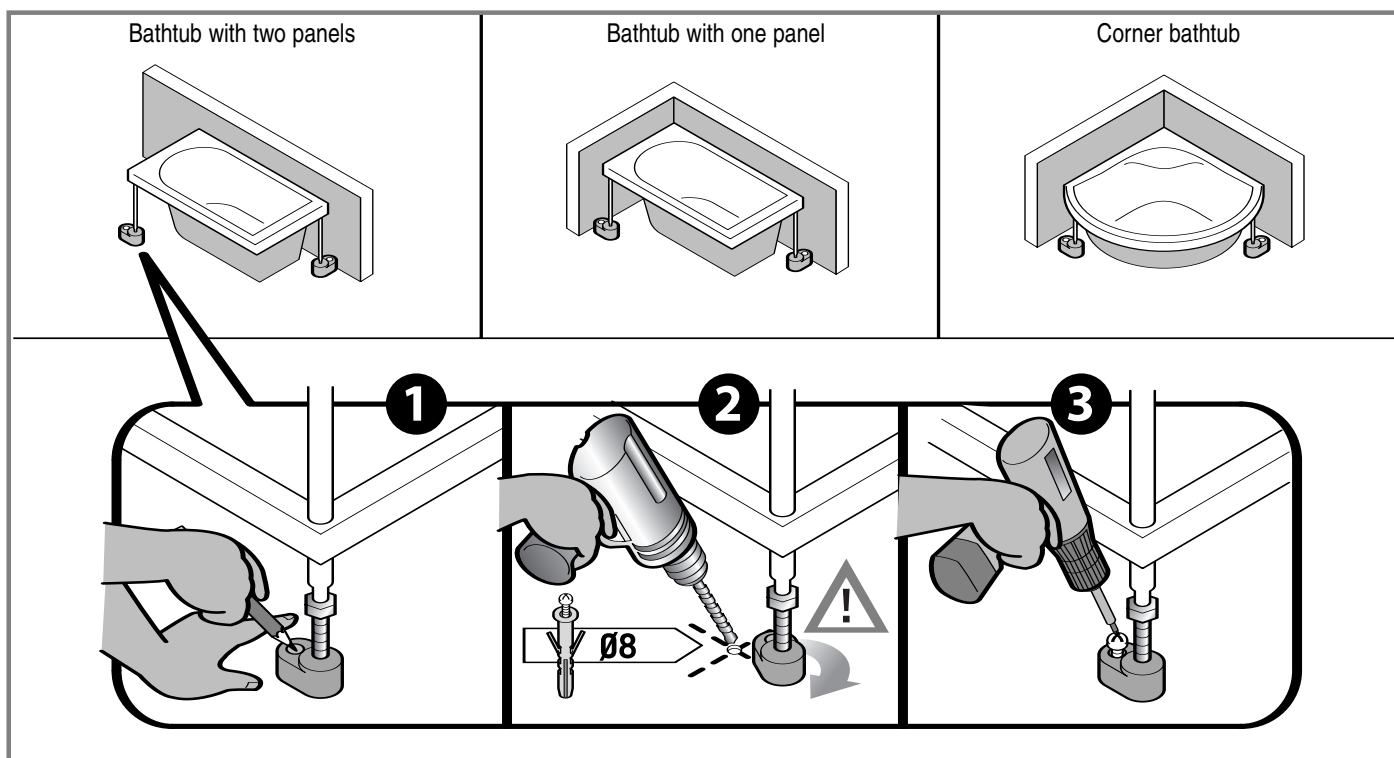
Having made all the plumbing and electrical connections, proceed to test the system:

- 1) Clean any dirt from the tub
- 2) Fill the tub up to the level of the overflow
- 3) Start the whirlpool (see user manual), then proceed to check that there are no leaks, and no error messages displayed on the control panel.
- 4) Having tested the system, complete the installation of the bathtub as described below.

## 6 FIXING TO THE FLOOR

PANELLED BATHTUBS ONLY

Anchor the bathtub to the floor by fixing the feet as indicated in the drawing, using the screws and masonry plugs provided.



## 7 FITTING THE PANELS

PANELLED BATHTUBS ONLY

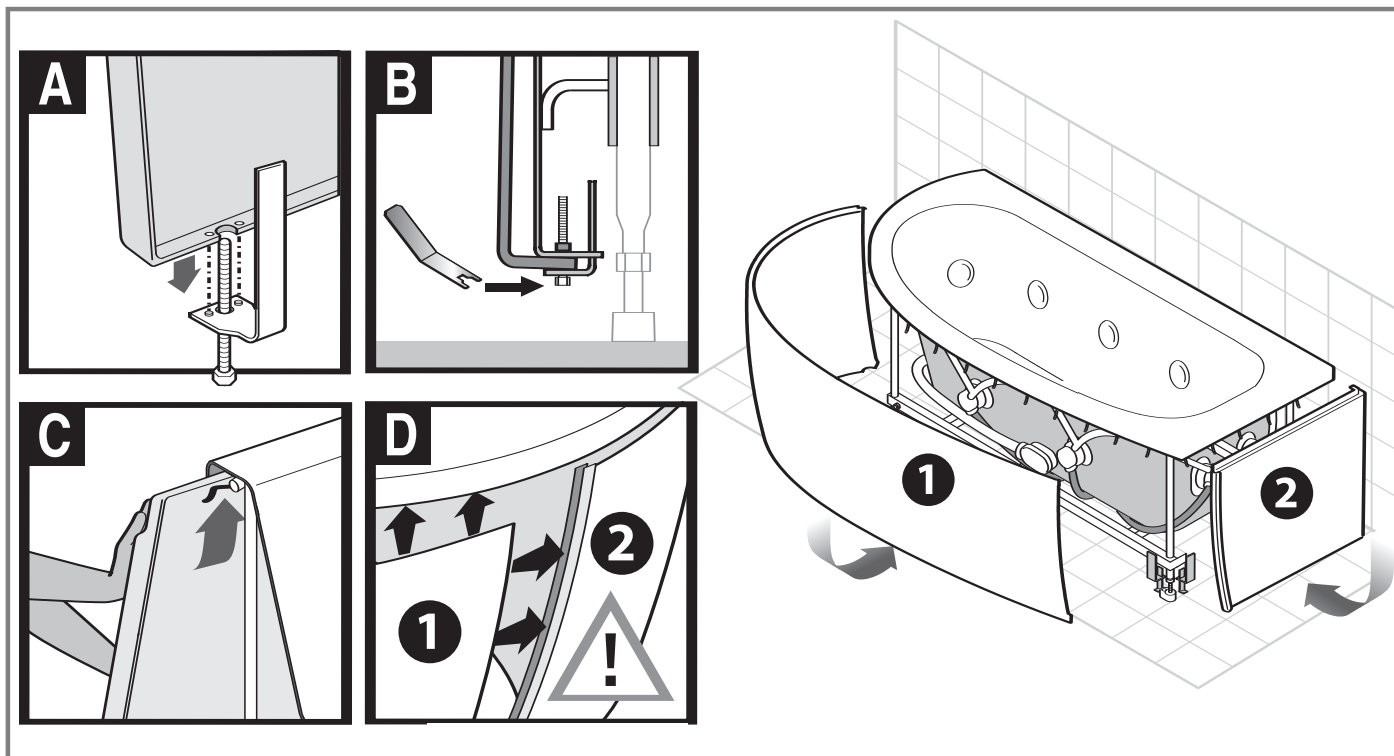
Having made all the connections, refit the panels removed previously in the order indicated: 1-2.

Offer the panels to the tub:

A - align the holes of the panel on the bracket, as illustrated.

B - tighten the screw with the special key; press forward on the top part of the panel so that it engages with the retaining clips (C).

D - join the two panels together, fitting the matched edges securely one to another.



## 7 FITTING THE PANELS

PANELLED BATHTUBS ONLY

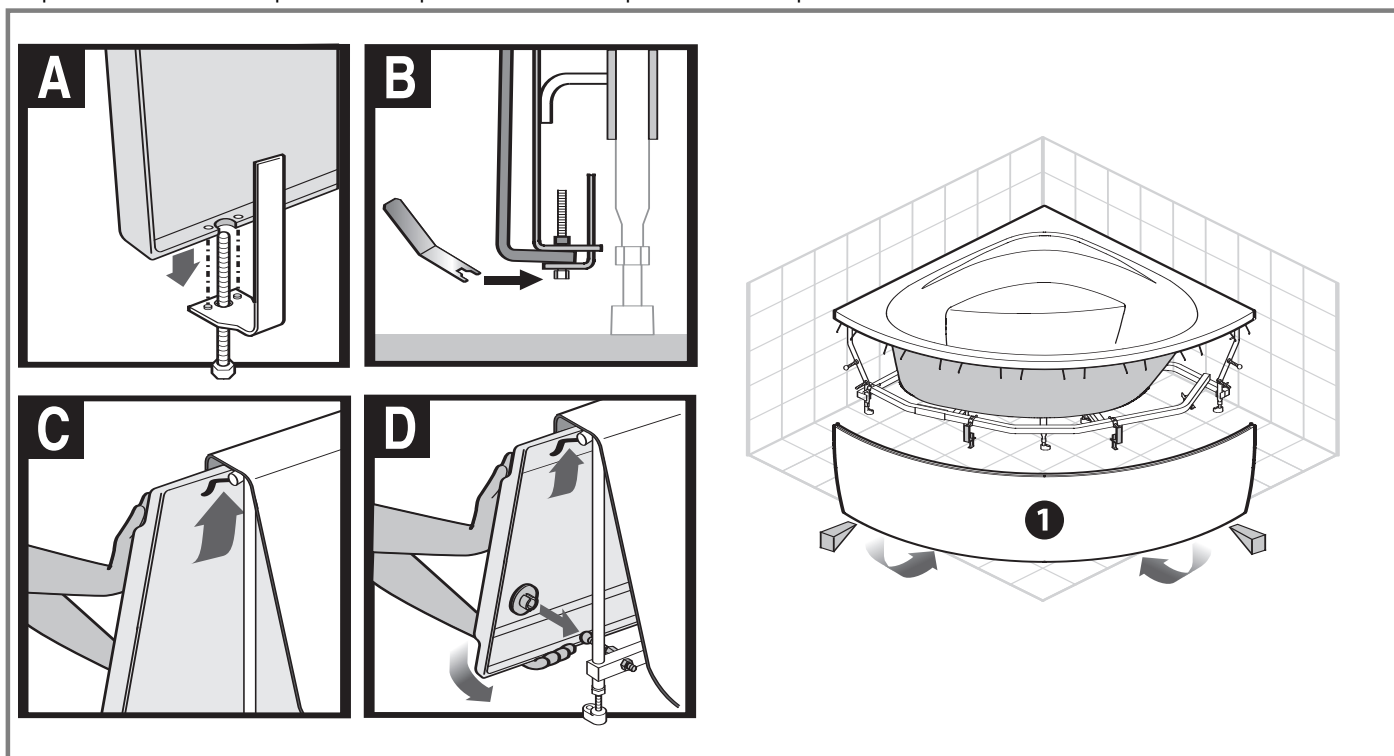
Having made all the connections, refit the panels removed previously in the order indicated: 1-2.

Offer the panels to the tub:

A - align the holes of the panel on the bracket, as illustrated.

B - tighten the screw with the special key; press forward on the top part of the panel so that it engages with the retaining clips (C).

D - press the bottom of the panel in correspondence with the clips until it fits into place.



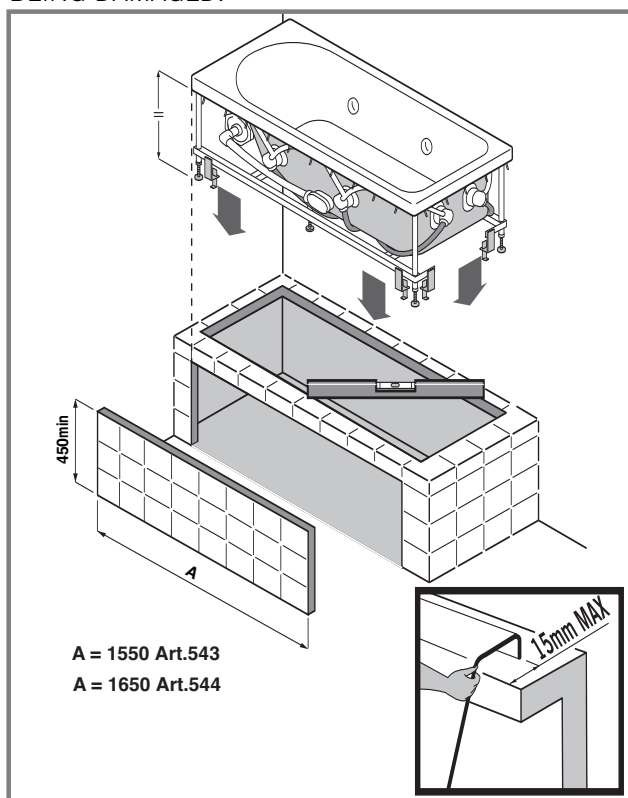
## 8 INSTALLATION OF BUILT-IN BATHTUB

Observe the general standards and procedures described above, and complete the installation as follows.

Position the bathtub in the selected place and level up by raising or lowering the adjustable feet as appropriate.

**THE TUB MUST SIT DIRECTLY ON THE FLOOR SO THAT THE WEIGHT IS TAKEN BY THE FEET, AND NOT BY THE RIM.**

Build the surround wall with the inside face set in from the edge of the rim by no more than 15 mm SO THAT THE TUB CAN BE LIFTED OUT SUBSEQUENTLY FOR MAINTENANCE PURPOSES, IF NEED BE, WITHOUT BEING DAMAGED.

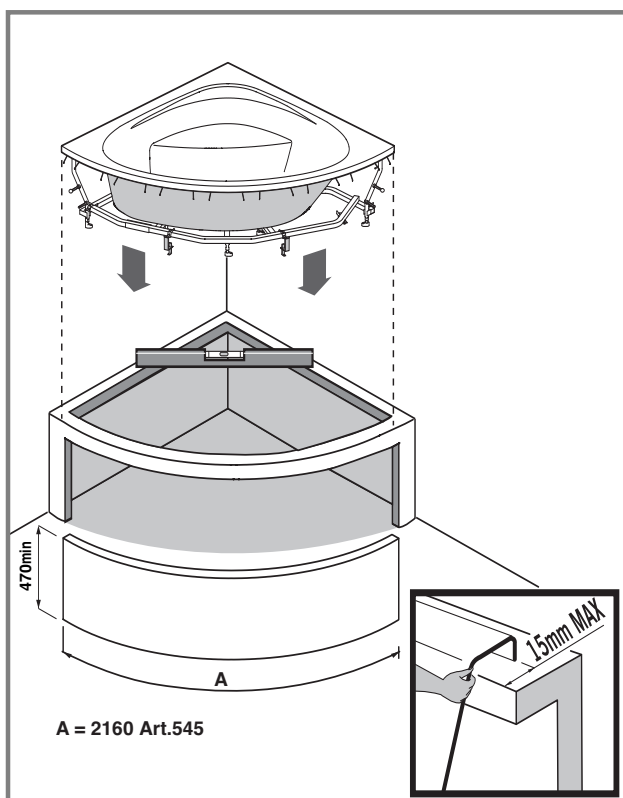


## BUILT-IN BATHTUBS ONLY

**A FULL-LENGTH REMOVABLE PANEL** must be provided **ALONG THE FRONT OF THE TUB**, allowing inspection and ventilation of the whirlpool system. In particular situations, consult the preinstallation data sheet for the product and make the panel according to the measurements indicated.

The panel must be secured semi-permanently (with screws, for example) in such a way that a tool is needed to remove it, as prescribed by safety standards.

*To allow proper maintenance of the tub, the connection between the waste trap and the drain must be made in such a way as to enable removal and inspection.*



## 9 SEALANT

To prevent water from penetrating between the rim and the wall, seal with NON ACETIC NEUTRAL silicone. Versions with 1 or 2 sides against the wall can be finished with trims (see Optional kits).

