

seating (asia pacific)

price & application guide

02.2019



teknion



# seating

PRICE & PRODUCT GUIDE . . . . .

3

FABRICS . . . . .

41

work chairs

# work chairs

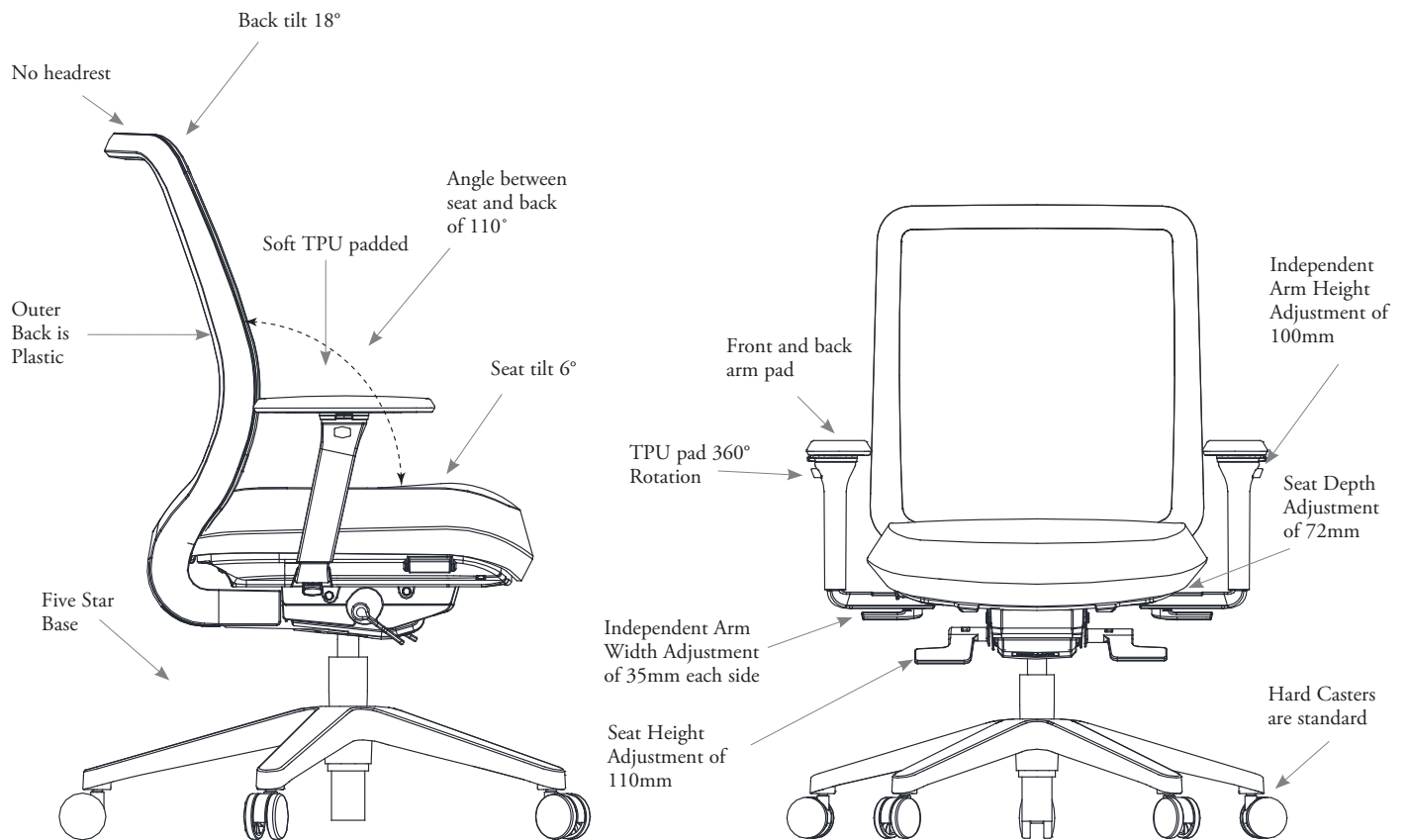
MINA .....	5
PROJEK .....	13
SEGO .....	20



## mina overview

Mina is an elegantly designed seating that offers flexibility at an affordable price.

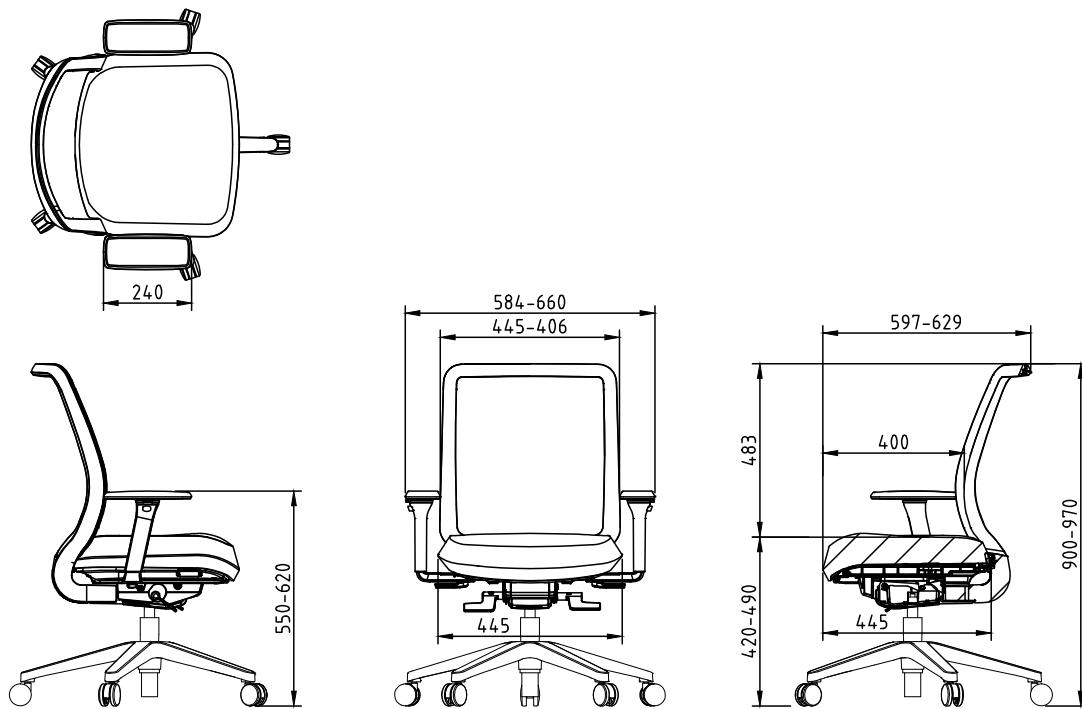
- Executive Chair with Front Multi Limited Tilt is shown
- Ebony and Polished Aluminum base available



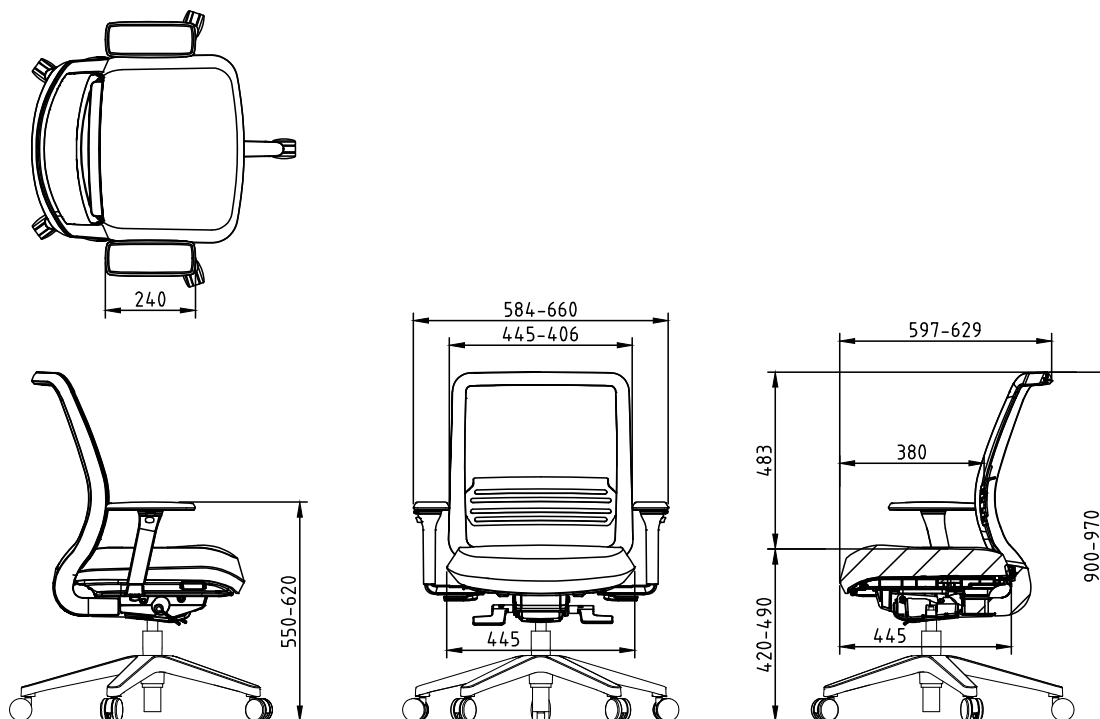
# mina dimensions

## Mina Mesh Task Chair without Lumbar

6

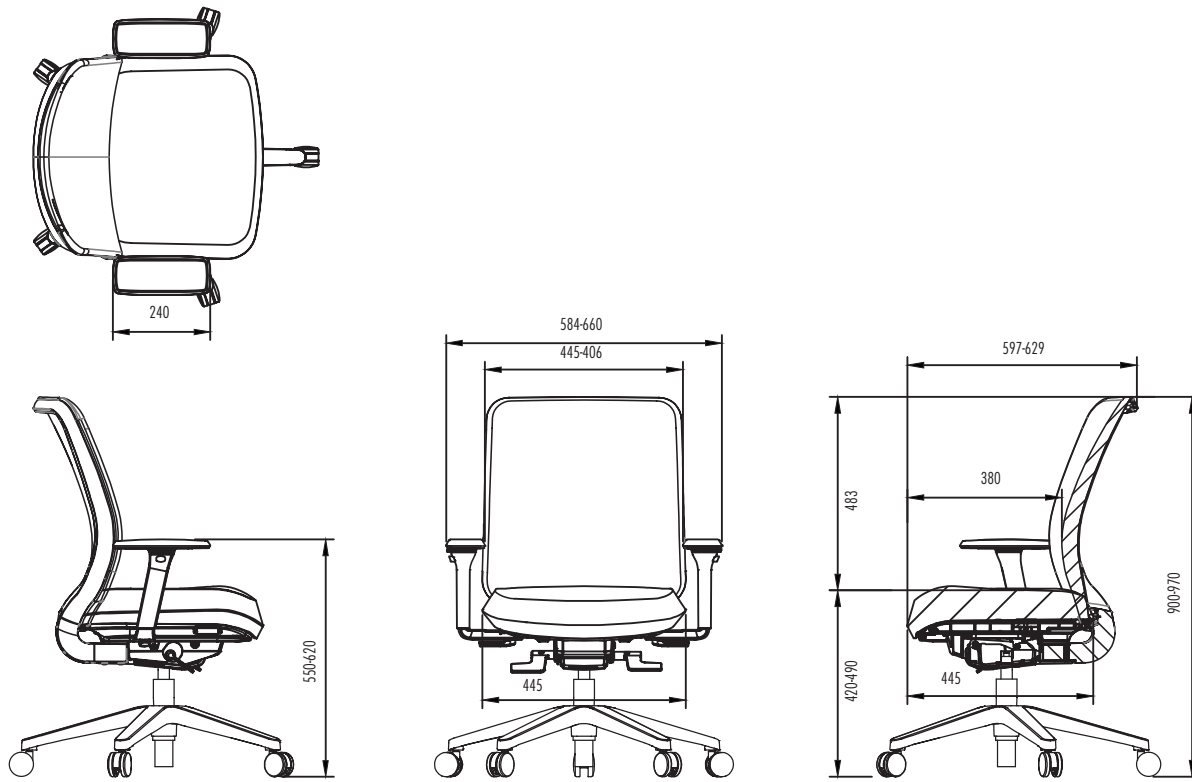


## Mina Mesh Task Chair with Lumbar



# mina dimensions (continued)

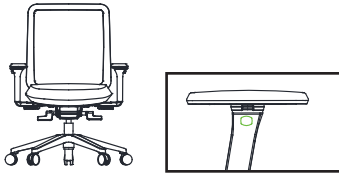
Mina Fabric Task Chair



## mina adjustment features & instructions

8

### ARMREST ADJUSTMENT



Arm padded rotation:

Press the button and rotate the arm padded to the desired angle at the same time.

Arm padded sliding forward or backward:

Sliding the arm padded forward and backward to the desired position

Arm height adjustment:

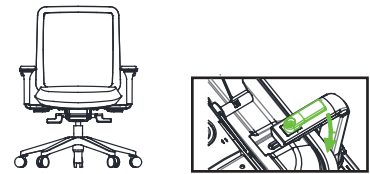
Press the button on the side of the arm and raise or lower to the desired height

### SEAT HEIGHT ADJUSTMENT



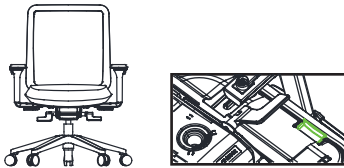
The Seat height handle is located underneath the seat on the right side. To raise the chair, lift the lever up while lifting your weight from the seat until you reach the desired level, then release to lock in place. To lower the chair, lift the lever up and allow your weight to push the seat down until you reach the desired level, then release to lock in place.

### SEAT WIDTH ADJUSTMENT



The button of seat width adjustment is located under the arm. Rotate the lever backward 90 degrees, pull the arm outward or inward to the desired position, then rotate the arm forward 90 degrees to lock the seat width in place.

### SEAT DEPTH ADJUSTMENT



The button of the depth adjustment is located underneath the seat on the left side, pull the button outward and simultaneously lift your weight from the seat while sliding the seat forward or backward to the desired position, release button to lock the seat in place.

### BACK TILT ADJUSTMENT



Seat Tilt Adjustment Lock, Pull lever upward and allow the chair to tilt backwards. To lock to the desired position push lever downward. To release tilt adjustment, pull lever upward, apply weight onto the back cushion and then lean forward.

# mina material requirements

## COM/COL Material Requirement

⚠ More yardage may be required depending upon the pattern repeat and the matching required. Leather yield may be affected by the quality of the COL. However, variance in the size of the hides will not affect the yield.

		BACK		SEAT	
		COM [yards]	COL [sq. ft]	COM [yards]	COL [sq. ft]
Mid-Back	Mesh	0.5	n/a	n/a	n/a
Mid-Back	Fabric	0.6	13	0.5	13

## mina weight & volumes

### Important

Please note, the measurement, weight and volumes listed in this section are only approximations. Packaging requirements will vary depending on the location to which the product is being shipped, type of product and the amount of product being ordered. Dimensions are in millimeters and subject to change without notice.



### PACKING METHODS

- KD (Knock Down)
- One (1) chair per carton

	CONTAINER VOLUME			CARTON DIMENSIONS			WEIGHT
	20' GP	40' GP	40' GP HC	inchesH	inchesW	inchesD	kgs
Mesh Chair	173	357	408	26	27	13.75	18.52
Fabric Chair	173	357	408	26	27	13.75	19.49

# work chairs

## K L N M S 2 Mina

### FEATURES

- Standard pneumatic cylinder provides height adjustment of 110mm
- Seat depth adjustment of 72mm
- Back-tilt can be locked at 2 positions or left free flow
- Width and height adjustment arm with pivoting arm cap

### NOTES

Chair comes in a CKD (complete knock down) unit.

Lumber is available for both mesh and upholstery back style.

Hard Casters are standard and well suited for soft flooring such as carpeting.

Soft Casters are available for use on hard flooring, such as wood, concrete or tile.

Upholstery version is fabric upholstered over mesh.



### PRODUCT OPTIONS

Size	Mechanism Style	Arm Style	Back Style	Upholstery Back Finish
F Mid Back	1 Standard	N No Arms H 4D Width & Height-Adjustable T-Arms with Pivot Arm Cap	M Mesh U Upholstery	Mesh Fabric Leather

### SAMPLE ORDER CODE

<b>KLNMS2 F</b>	<b>1</b>	<b>H</b>	<b>M</b>	<b>SP04</b>
-----------------	----------	----------	----------	-------------

### PRODUCT OPTIONS CONTINUED

Upholstery Seat Finish	Cylinder Style	Lumbar Support	Base Finish	Casters
Fabric Leather	1 Standard 3 Low	N No Lumbar Support Y Lumbar Support	E Ebony Nylon Base C Polished Aluminum Base	A Soft Casters Y Hard Casters H Hard Casters (EN Std)

### SAMPLE ORDER CODE CONTINUED

<b>R101</b>	<b>1</b>	<b>N</b>	<b>E</b>	<b>A</b>
-------------	----------	----------	----------	----------

Pricing is continued on the following pages.

**K L N M S 2**  
**Mina**  
**(Continued)**



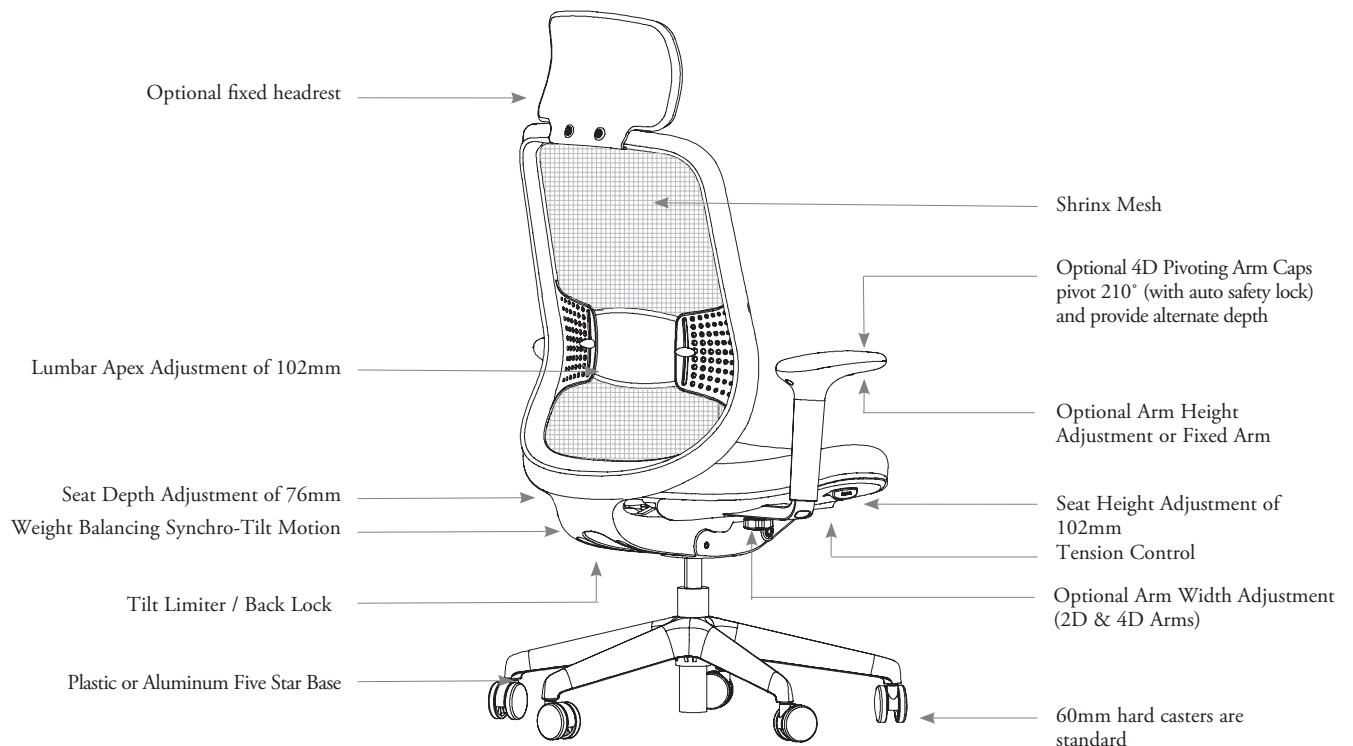
DESCRIPTION	PRICE										
	Grade AA	Grade 1	COM/ Grade 2	COL/ Grade 3	Grade 4	Grade 5	Grade 6	Grade 7	Grade 8	Grade 9	Leather LA/ Grade 10
<b>MESH BACK (M)</b>											
No Arms	401	421	461	481	501	521	541	561	581	601	621
Height-Adjustable T-Arms	453	473	513	533	553	573	593	613	633	653	673
<b>UPHOLSTERY BACK (U)</b>											
No Arms	401	441	526	561	596	631	666	701	736	771	806
Height-Adjustable T-Arms	453	493	578	613	648	683	718	753	788	823	858
If Lumbar Support (Y) is specified	add 30										
If Polished Aluminum (C) Base is specified	add 165										
If Soft Casters (A) are specified	add 15										
If Hard Casters (EN Std) (H) are specified	add 8										



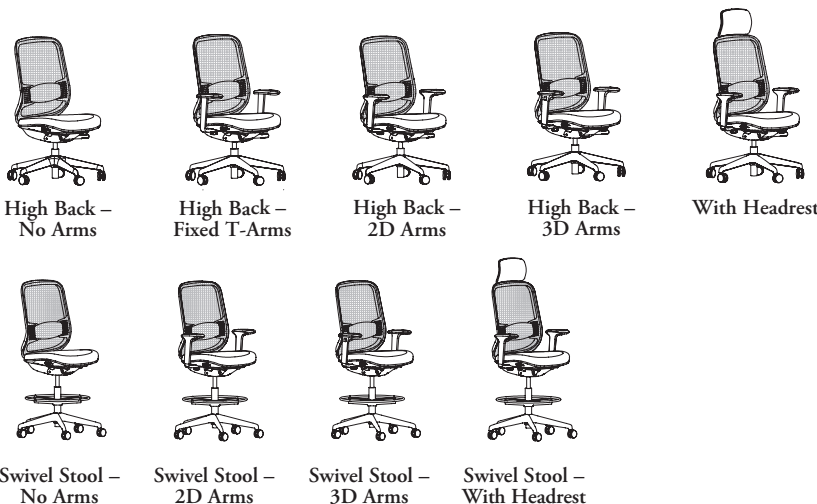
# projek overview

**Projek is a chair for all people and environments.**

- Projek Chairs have been designed and tested for users weighing up to 300 lbs
- Projek Chairs are equipped with casters intended for use on carpeted surfaces. Use of these casters on hard surfaces could result in unexpected rolling and tipping. Casters designed for use on hard surfaces are available. If in doubt, see your dealer for appropriate selection
- Synchro-tilt weight-balancing with 3.5:1 ratio



## Statement of Line



## projek finish guide

When selecting finishes for the Inner and Outer Frame, Lumbar and Mesh of the Projek family of chairs, Task Chair and Swivel Stool, it is possible to select different finishes for the components listed below or to have the same finish specified throughout.

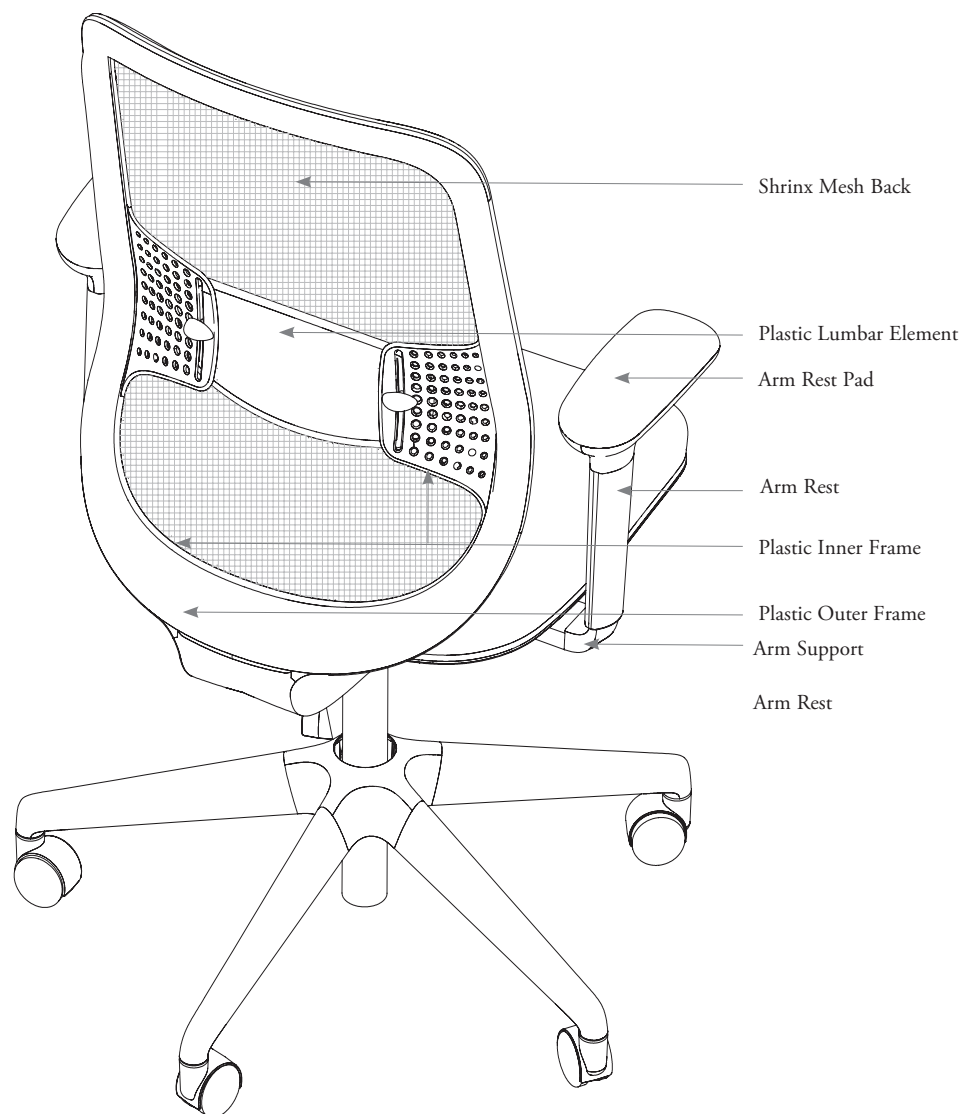
I4

### Task Chair and Stool:

- The headrest's frame and fabric finishes default to the Outer Frame Finish and Seat Fabric Finish (Assembled Task Chair and Stool only)
- 2D & 4D Arm finish defaults to the Outer Frame Finish. For Stone or Very White the arm rest will be finished same as outer frame. Arm Rest Pad and Arm Support finished in Ebony. Fixed Arm is available in Ebony only

### Guest Chair:

- Lumbar Element not included
- Arm Rest in Ebony only

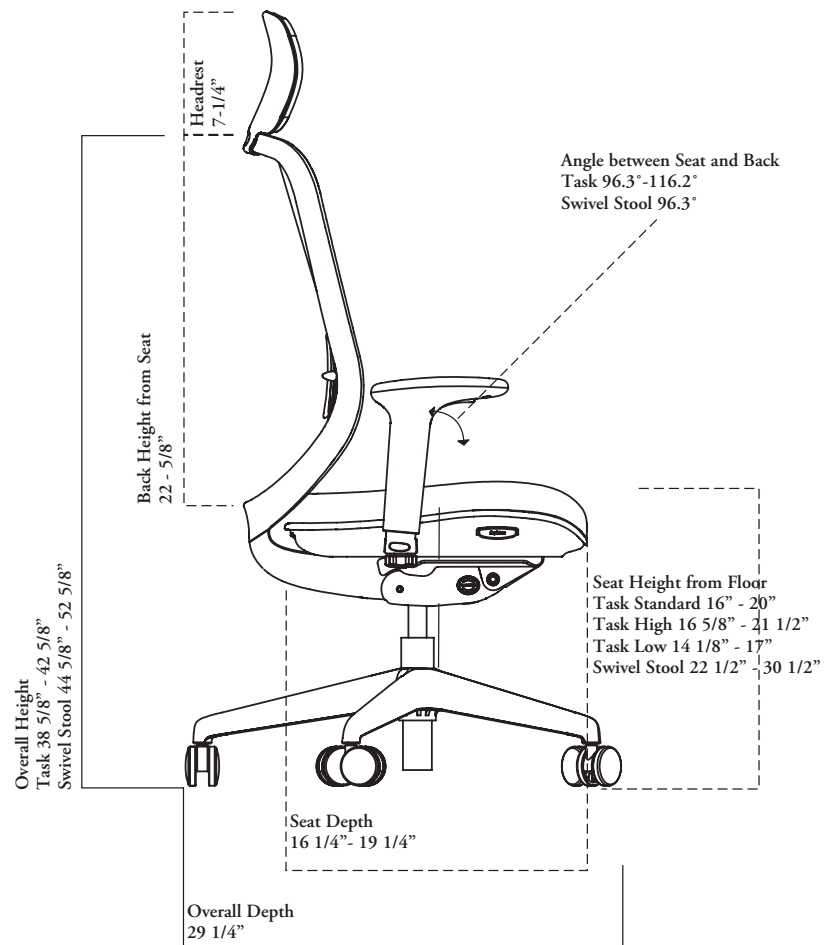
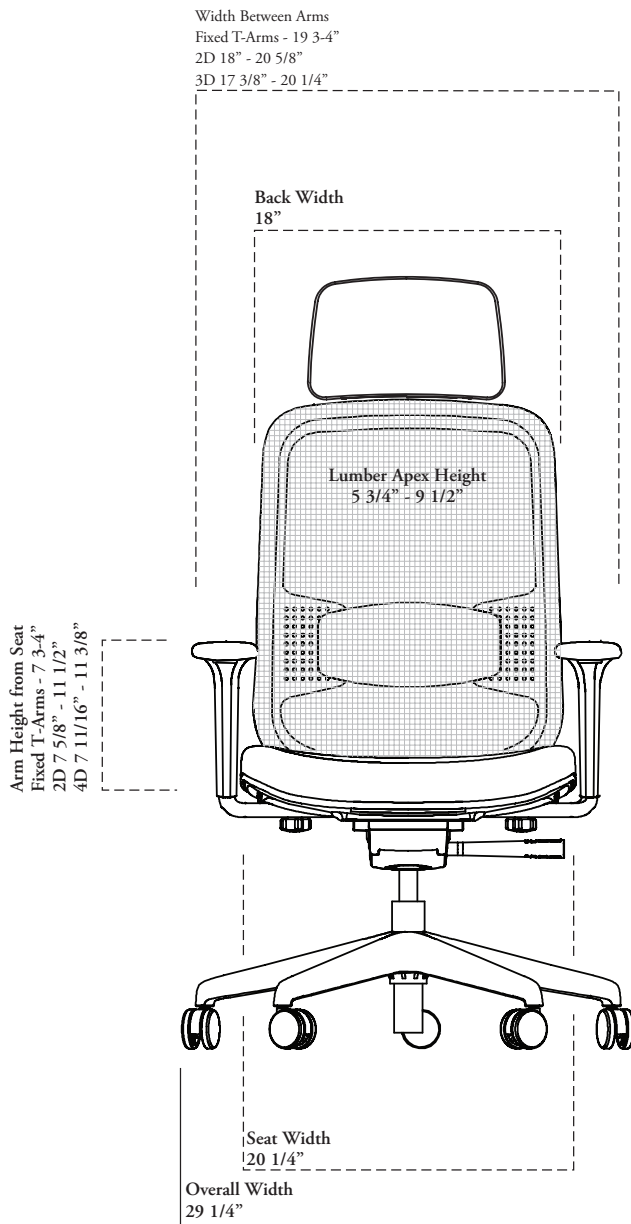


# projek dimensions & material requirements

## Dimensions

❗ For Conversion to Metric, multiply dimension by 25.4.

WEIGHT	
General Use/Executive Task	35 lbs
Swivel Stool	41.8 lbs



## COM/COL Material Requirement

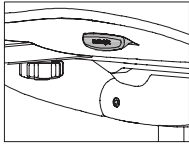
❗ More yardage may be required depending upon the upholstery pattern, repeat, directionality and pattern matching. Leather yield varies from 60-80% and may be affected by the quality of the COL including location and quantity of blemishes, size and shape of hide. The size of the sewing pattern and the number of units ordered may also impact yield. Always round-up to the next hide.

### DUAL UPHOLSTERED

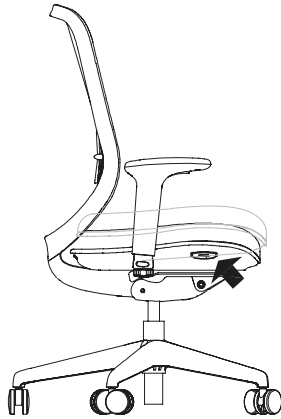
	COM [yards]	COL [sq. ft]
Seat	7/8	8 3/4
Headrest	1/2	4 7/8

# projek adjustment features & instruction

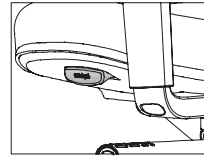
## SEAT HEIGHT ADJUSTMENT



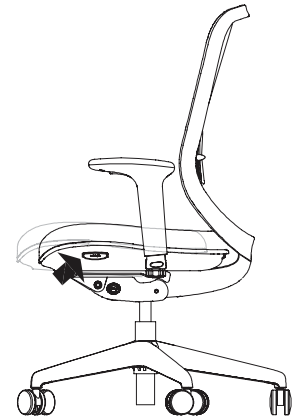
Seat height can be adjusted by pulling outward on the button below the seat on the right hand side. When this button pulled, the weight of the body will cause the seat to lower, and releasing it stops the seat at the desired height. Pulling outward on the button with no weight on the seat allows it to rise.



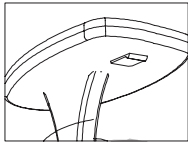
## SEAT DEPTH ADJUSTMENT



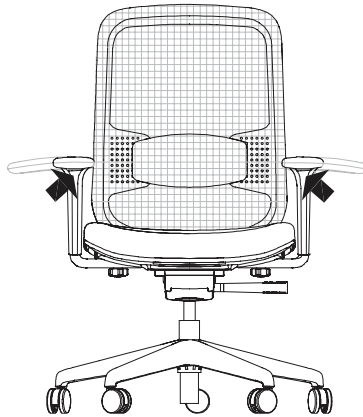
To adjust the seat depth, pull outward on the button below the seat on the left-hand side and simultaneously lift your weight from the seat while sliding the seat forward or backward. Release button to lock the seat in place.



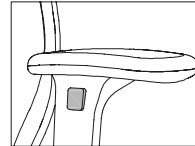
## 4D ARM PIVOT ADJUSTMENT



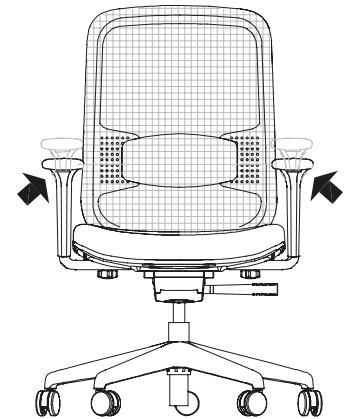
To pivot the arm cap, depress the auto safety lock button on the outside of the armrest and pivot 210° degrees to desired position. Release the button to lock in place. 180° arm rotation adjusts the arm depth.



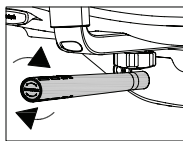
## ARM HEIGHT ADJUSTMENT



To adjust the arm height, press the button below either arm rest to raise or lower it to the desired position. Release the button to lock in place.



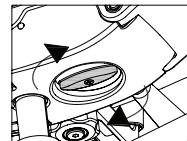
## BACK TILT ADJUSTMENT



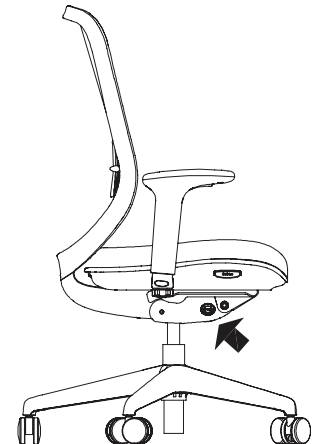
Turning the grip found under the left side of the seat limits the back tilt travel and locks the back. Travel is limited on 3 positions with back lock in the upright position.



## TILT TENSION ADJUSTMENT

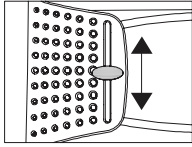


Fine tune the weight balanced tension by rotating the dial located below the seat centre to suit personal preference.



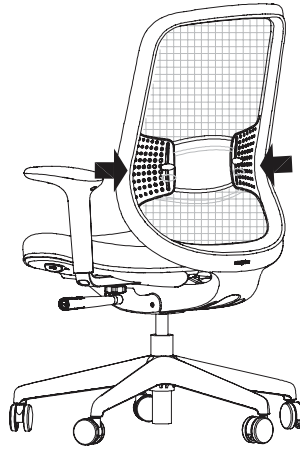
## projek adjustment features &amp; instruction (continued)

## LUMBAR HEIGHT-ADJUSTMENT

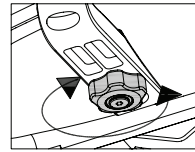


The lumbar height-adjustment knobs can be found on the back where the Inner Frame connects to the Lumbar Element.

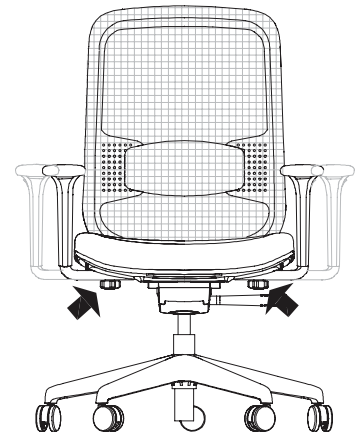
The height of the lumbar support can be adjusted by sliding them up and down.



## ARM WIDTH ADJUSTMENT

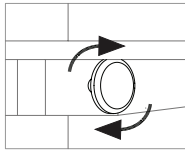


To adjust the width of each arm, turn the dial clockwise to release the arm lock. Slide the arm inward or outward to the desired position. Tighten the knob to lock the arm in place.

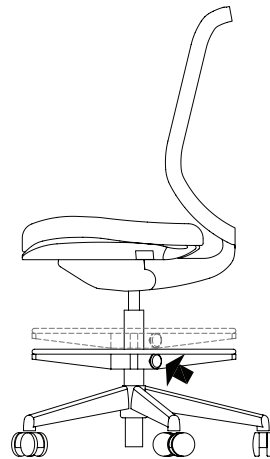


17

## STOOL FOOT RING HEIGHT

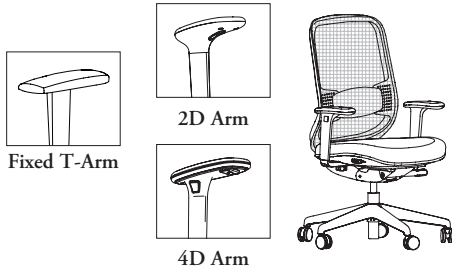


To raise or lower the stool's foot ring, turn the foot ring's knob counter clockwise to release the foot ring and adjust the ring until you reach the desired level. Turn the knob clockwise to lock in place.



## K L N P R T Projek – Synchro-Tilt Task Chair

18



### FEATURES

- Standard pneumatic cylinder provides height adjustment of 102mm
- Seat depth adjustment of 76mm
- Lumbar height adjustment of 102mm
- Back tilt can be locked in the upright position or left to free flow to 3 defined angle ranges
- Weight-balancing with a travel limiter synchro-tilt mechanism (3.5:1 tilt ratio) with unique preference control to tilt tension. Back recline angle range is 0° - 20° and seat adjustment range angle is 0° - 6.5°
- Ebony base is available in plastic only
- Hard casters are well suited for soft flooring such as carpeting
- Soft casters are available for use on hard flooring, such as wood, concrete or tile

### NOTES

Arm finish to match Outer Frame Finish. For Stone Arm Finish, major Finish is Stone with Arm Rest Pad and Arm Post Support in Ebony.

Projek chair is Dual Upholstery with Shrinx Mesh available on the back only and Teknion's Standard and Graded-In-Fabrics on seat.

See Projek Finish Guide to define Plastic Outer Frame, Plastic Inner Frame & Lumbar Element finish details.

### PRODUCT OPTIONS

Headrest	Arm Style	Shrinx Mesh Back	Seat Upholstery Finish	Cylinder Style	Plastic Outer Frame Finish
<b>N</b> No Headrest	<b>N</b> No Arms <b>F</b> Fixed T-Arms <b>W</b> 2D Width- & Height-Adjustable T-Arms <b>P</b> 4D Width- & Height-Adjustable T-Arms with Pivot Arm Cap	<b>S2</b> Ebony	Fabric	<b>1</b> Standard <b>2</b> High <b>3</b> Low	<b>8B</b> Ebony

### SAMPLE ORDER CODE

<b>KLNPR T N</b>	<b>P</b>	<b>S2</b>	<b>X720</b>	<b>1</b>	<b>8B</b>
------------------	----------	-----------	-------------	----------	-----------

### PRODUCT OPTIONS CONTINUED

Plastic Inner Frame Finish	Plastic Lumbar Element Finish	Base Finish	Casters/Glides (Optional)	Assembly Style
<b>8B</b> Ebony	<b>8B</b> Ebony	<b>52</b> Ebony <b>C9</b> Polished Aluminum	<b>~</b> Casters, Hard <b>A</b> Casters, Soft <b>B</b> Glides, Hard <b>C</b> Glides, Soft	<b>N</b> Not Fully Assembled

### SAMPLE ORDER CODE CONTINUED

<b>8B</b>	<b>8B</b>	<b>52</b>	<b>A</b>	<b>N</b>
-----------	-----------	-----------	----------	----------

Pricing is continued on the following pages.

**K L N P R T**  
**Projek – Synchro-Tilt**  
**Task Chair (Continued)**

**DESCRIPTION**

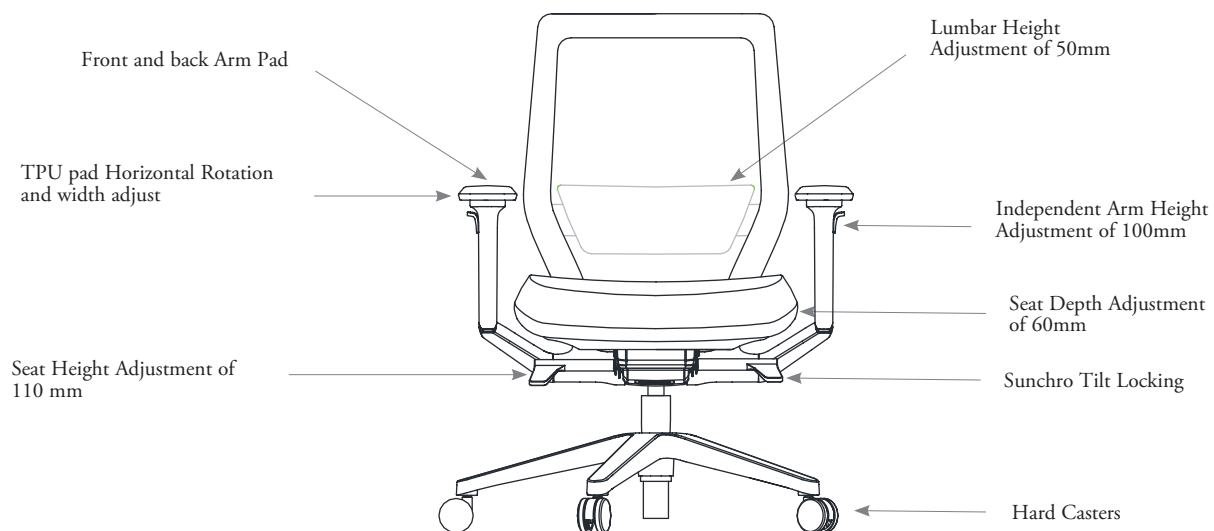
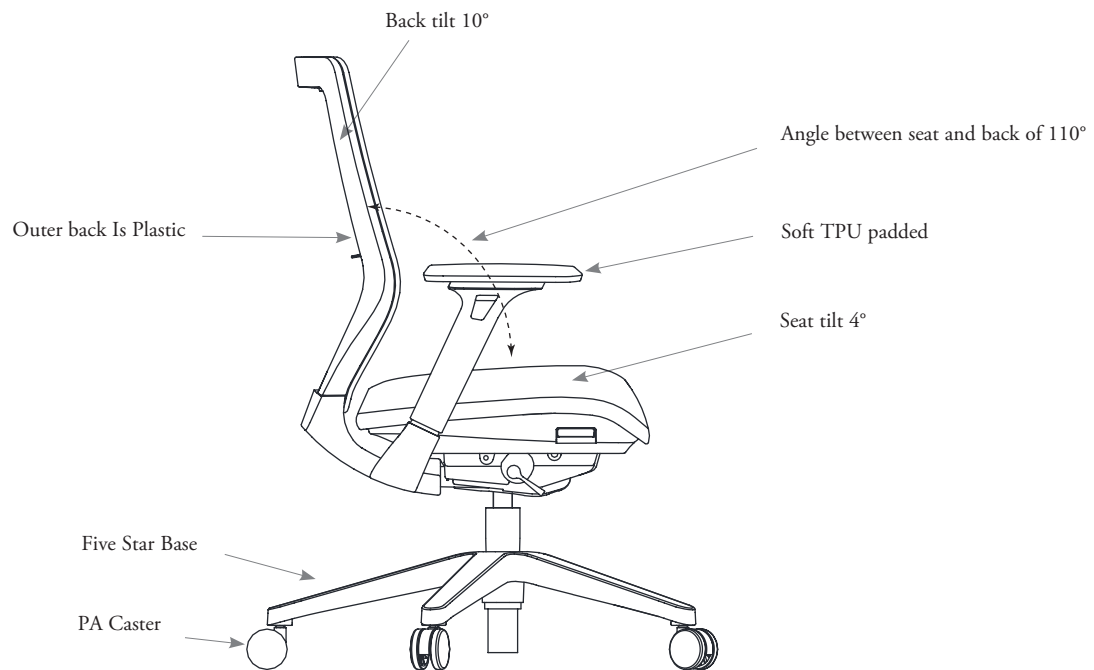
**PRICE**

	COM/		COL/		Grade 5	Grade 6	Grade 7	Grade 8	Grade 9	Grade 10	Leather LA
	Grade 1	Grade 2	Grade 3	Grade 4							
<b>NO HEADREST (N)</b>											
No Arms	785	806	826	847	868	888	910	931	950	1022	963
Fixed Arms	871	893	913	934	955	975	997	1017	1036	1109	1050
2D Width, Height-Adjustable T-Arms	899	919	940	961	981	1002	1024	1043	1063	1135	1077
4D Width, Height-Adjustable T-Arms w/ Pivot Arm Cap	954	974	995	1016	1036	1057	1079	1098	1118	1190	1131
If Polished Aluminum (C9) Base is specified	add	60									
If Soft Casters (A) are specified	add	21									
If Hard Glides (B) are specified	add	21									
If Soft Glides (C) are specified	add	33									

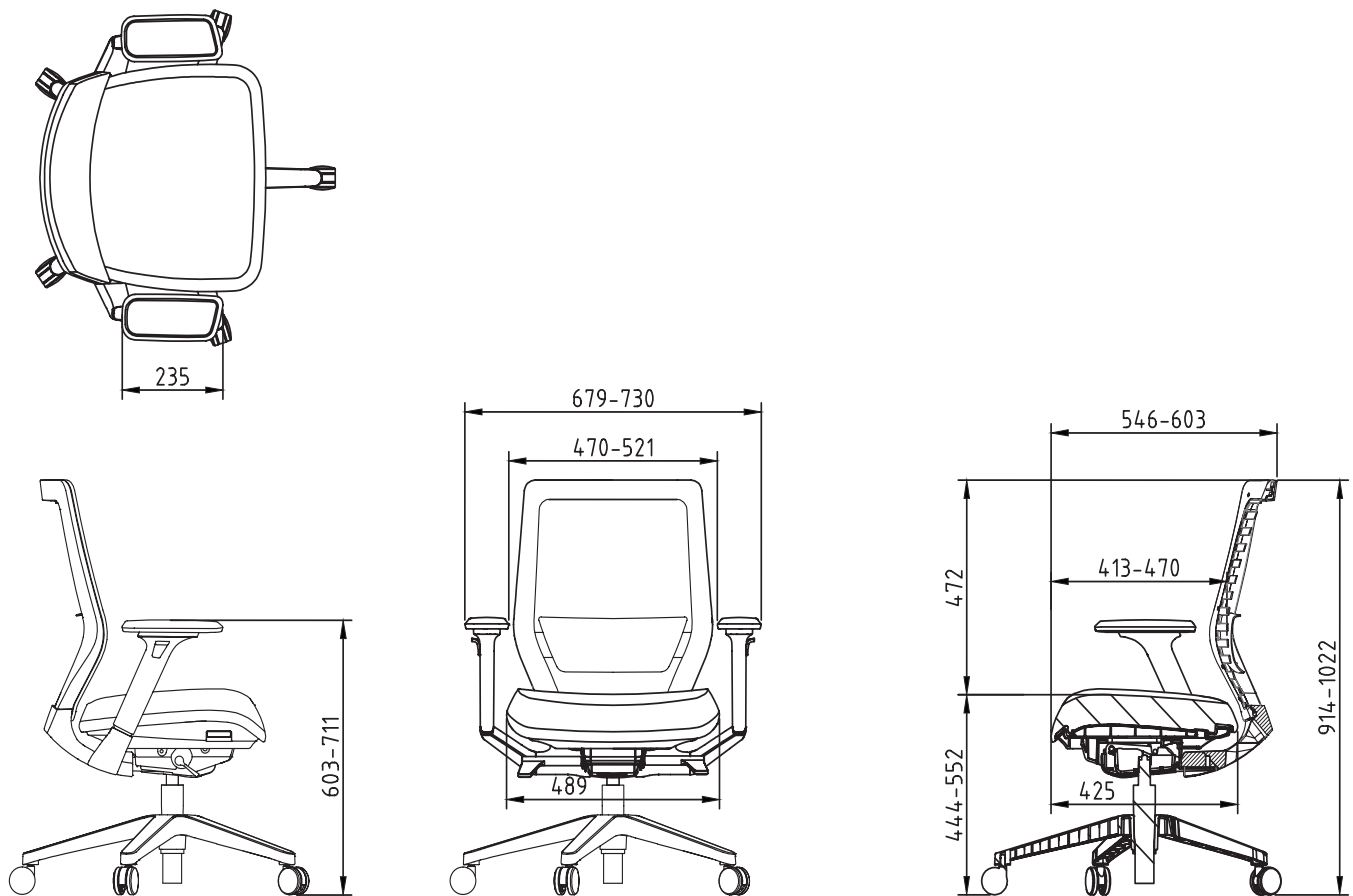
## sego overview

### Overview

Seگو is an exclusive line of upholstered & coordinating mesh-back task chairs. Hidden innovations optimize function and comfort.

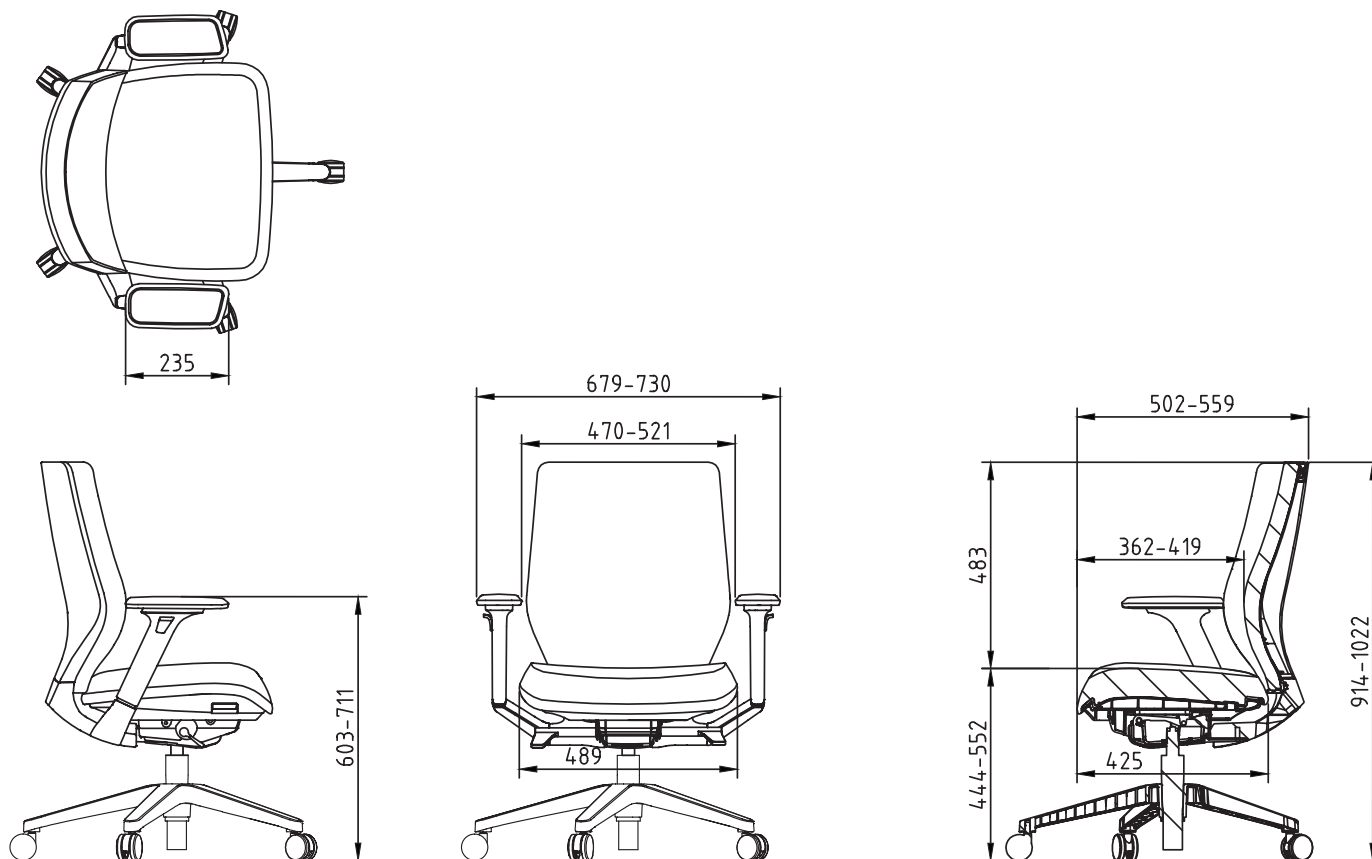


Mesh Back



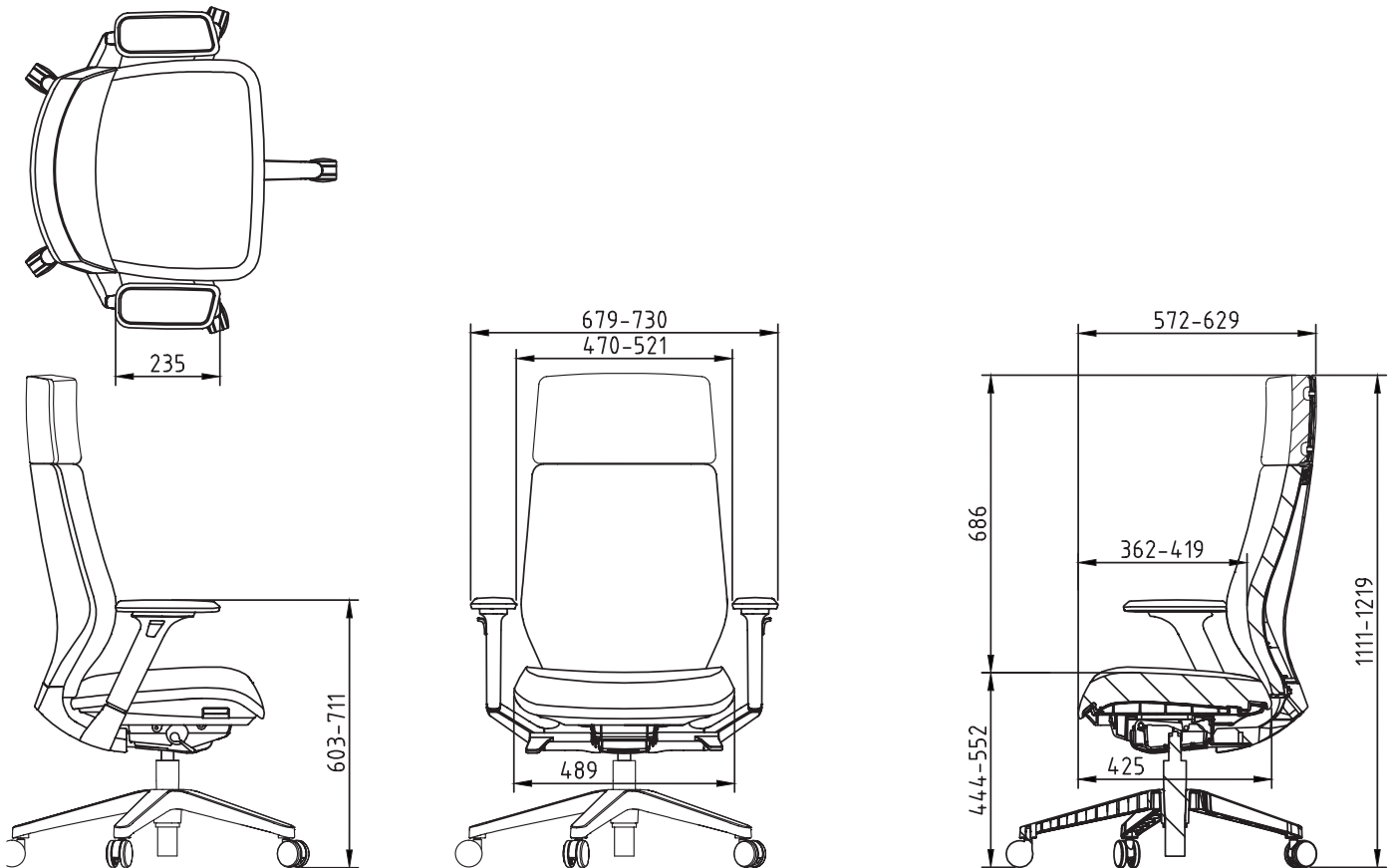
seço dimension (continued)

Upholster back



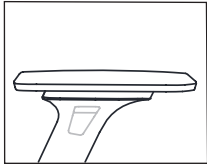
## sego dimension (continued)

## Upholster back with headrest



## sego adjustment features & instructions

### ARMREST ADJUSTMENT



Arm padded rotation:

Rotate the arm padded to the left/right

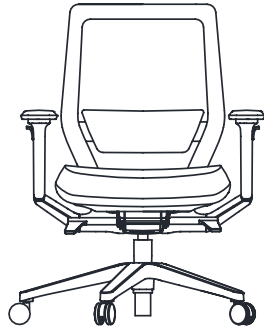
Arm padded width adjust:

Move the padded to the left/right  
Arm padded sliding forward or backward:

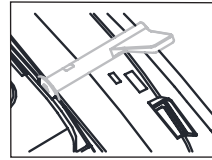
Sliding the arm padded forward and backward to the desired position

Arm height adjustment:

Pull the button on the side of the arm and raise or lower to the desired height



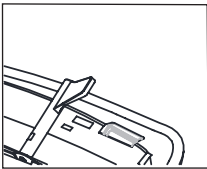
### SEAT HEIGHT ADJUSTMENT



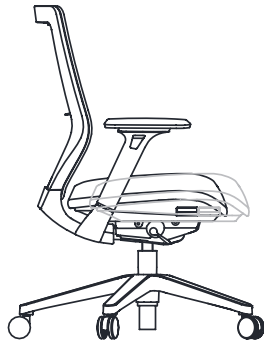
The Seat height handle is located underneath the seat on the right side. To raise the chair, lift the lever up while lifting your weight from the seat until you reach the desired level, then release to lock in place. To lower the chair, lift the lever up and allow your weight to push the seat down until you reach the desired level, then release to lock in place.



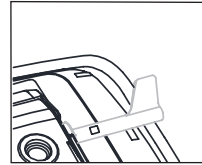
### SEAT DEPTH ADJUSTMENT



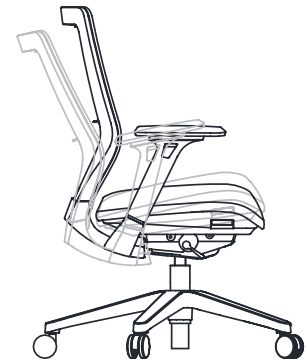
The button of the depth adjustment is located underneath the seat on the left side, pull the button outward and simultaneously lift your weight from the seat while sliding the seat forward or backward to the desired position, release button to lock the seat in place.



### BACK TILT ADJUSTMENT

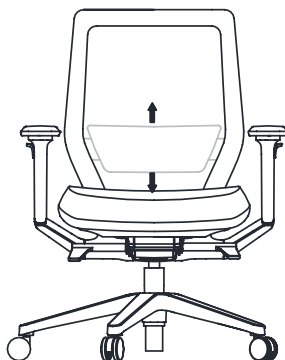


Seat Tilt Adjustment Lock, Pull lever upward and allow the chair to tilt backwards. To lock to the desired position push lever downward. To release tilt adjustment, pull lever upward, apply weight onto the back cushion and then lean forward.



### LUMBAR HEIGHT ADJUSTMENT

Lift the lumbar and raise or lower to the desired height



# sego standard material requirements

## COM/COL Material Requirement

⚠ More yardage may be required depending upon the upholstery pattern, repeat, directionality and pattern matching. Leather yield varies from 60-80% and may be affected by the quality of the COL including location and quantity of blemishes, size and shape of hide. The size of the sewing pattern and the number of units ordered may also impact yield. Always round-up to the next hide.

	HEADREST		BACK		SEAT	
	Fabric	Leather	Fabric	Leather	Fabric	Leather
Mesh chair	n/a	n/a	0.26yd	n/a	0.63yd	7.19sf
Fabric chair with headrest	0.18yd	3.6sf	0.45yd	7.84sf	0.63yd	7.19sf
Fabric chair without headrest	n/a	n/a	0.45yd	0.45yd	0.63yd	

# sego standard weight & volumes

## Important

⚠ Please note, the measurement, weight and volumes listed in this section are only approximations. Packaging requirements will vary depending on the location to which the product is being shipped, type of product and the amount of product being ordered. Dimensions are in millimeters and subject to change without notice.

## PACKING METHODS

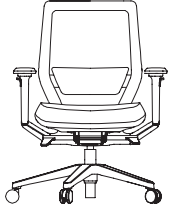
- KD (Knock Down)
- One (1) chair per carton

	CONTAINER VOLUME			CARTON DIMENSIONS			WEIGHT(KG)	
	20GP	40GP	40HQ	inches H	inches W	inches D	N.W.	G.W.
Mesh chair	192	395	460	26	28	12.75	17.69	20.5
Fabric chair with headrest	151	312	364	26	35	12.75	19.81	21.5
Fabric chair without headrest	116	297	396	26	28	14.5	18.79	21

## K L N B G M A

### Seço – Synchro-Tilt Task Chair (Mesh)

26



4D Arm

#### FEATURES

- Standard pneumatic cylinder provides height adjustment of 110mm.
- Seat dept adjustment of 60mm and Lumbar height adjustment of 50mm.
- 4D Armrest height adjustment of 100mm.
- Back tilt can be locked in the upright position of left to free flow to 2 defined angle ranges.
- 100% weight sensitive synchro-tilt mechanism (2.75:1 tilt ratio). Back recline angle range is 0° – 10° and seat adjustment range angle is 0° – 4°.
- Ebony base is available in plastic only.
- Hard and soft casters are available.
- Optional plastic arms with 4D (height, width, depth & pivot) adjustments that are easy to access)
- Options for Hard & Soft Casters finished in Ebony or Silver & Ebony finish.
- Hard Casters are standard and well suited for soft flooring such as carpeting.
- Soft Casters are available for use on hard flooring, such as wood, concrete or tile.

#### NOTES

Slotted Back Insert is translucent & Arm Pads defaulted as frame color selected.

Ebony Plastic Outer Frame Finish color defaulted to Ebony Plastic Arm & Seat Pan Finish.

Grey Plastic Outer Frame Finish color defaulted to Light Cold Grey Plastic Arm & Seat Pan Finish.

Hard casters (EN STD) only available in Ebony finish.

#### PRODUCT OPTIONS

Headrest	Arm Style	Upholstery Back Finish	Upholstery Seat Finish	Plastic Outer Frame Finish	Base Finish
<b>N</b> No Headrest	<b>P</b> 4D Width & Height- Adjustable TArms with Pivot Arm Cap  <b>E</b> 4D Width & Height- Adjustable T-Arms with Pivot Arm Cap (EN Std)	<b>SP18</b> Black Mesh 4780-11 <b>SP19</b> Light Grey Mesh 4780-15 <b>SP21</b> Dark Grey Mesh 4780-16 <b>SP22</b> White Mesh 3319-30(R)	Fabric Leather	<b>8B</b> Ebony <b>9F</b> Gris	<b>C9</b> Polished Aluminum <b>8B</b> Ebony

#### SAMPLE ORDER CODE

<b>KLNBGMA N</b>	<b>P</b>	<b>SP18</b>	<b>R101</b>	<b>8B</b>	<b>C9</b>
------------------	----------	-------------	-------------	-----------	-----------

#### PRODUCT OPTIONS (CONTINUED)

Cylinder Style	Lumbar Support	Caster	Caster Finish	Assembly Style
<b>1</b> Standard <b>3</b> Low	<b>Y</b> With Lumbar Support	<b>Y</b> Hard Casters <b>A</b> Soft Casters <b>H</b> Hard Casters (EN Std)	<b>1</b> Ebony	<b>N</b> Not Fully Assembled <b>F</b> Fully Assembled

#### SAMPLE ORDER CODE (CONTINUED)

<b>1</b>	<b>Y</b>	<b>A</b>	<b>1</b>	<b>N</b>
----------	----------	----------	----------	----------

Pricing is continued on the following page.

**K L N B G M A**  
**Seço – Synchro-Tilt Task Chair**  
**(Mesh) (continued)**

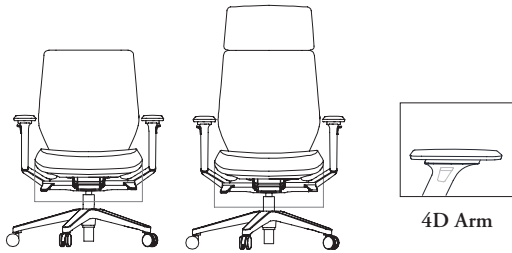
DESCRIPTION	PRICE										
	Grade AA	Grade 1	COM/ Grade 2	COL/ Grade 3	Grade 4	Grade 5	Grade 6	Grade 7	Grade 8	Grade 9	Leather LA/ Grade 10
4D Arms	610	640	670	690	710	730	750	770	790	810	830
4D Arms (EN Std)	610	640	670	690	710	730	750	770	790	810	830

If Ebony Frame, Polished Aluminum Base are specified      add 60  
 If Gris Frame, Polished Aluminum Base are specified      add 170  
 If Soft Casters, Ebony Finish are specified                    add 19

## K L N B G M U

### Seço – Synchro-Tilt Task Chair (Upholstered Back)

28



#### FEATURES

- Standard pneumatic cylinder provides height adjustment of 110mm.
- Seat dept adjustment of 60mm and Lumbar height adjustment of 50mm.
- 4D Armrest height adjustment of 100mm.
- Back tilt can be locked in the upright position of left to free flow to 2 defined angle ranges.
- 100% weight sensitive synchro-tilt mechanism (2.75:1 tilt ratio). Back recline angle range is 0° – 10° and seat adjustment range angle is 0° – 4°.
- Ebony base is available in plastic only.
- Hard and soft casters are available.
- 4D (height, width, depth & pivot) adjustments that are easy to access).
- Options for Hard & Soft Casters finished in Ebony or Silver & Ebony finish.
- Hard Casters are standard and well suited for soft flooring such as carpeting.
- Soft Casters are available for use on hard flooring, such as wood, concrete or tile.

#### NOTES

Slotted Back Insert is translucent & Arm Pads defaulted as frame color selected.

Ebony Plastic Outer Frame Finish color defaulted to Ebony Plastic Arm & Seat Pan Finish.

Grey Plastic Outer Frame Finish color defaulted to Light Cold Grey Plastic Arm & Seat Pan Finish.

Headrest cannot be added later. Must be factory fitted.

Hard casters (EN STD) only available in Ebony finish.

#### PRODUCT OPTIONS

Headrest	Arm Style	Back Finish	Upholstery Back Finish	Upholstery Seat Finish	Plastic Outer Frame Finish
<b>N</b> No Headrest	<b>P</b> 4D Width & Height- Adjustable TArms with Pivot Arm Cap <b>E</b> 4D Width & Height-Adjustable T-Arms with Pivot Arm Cap (EN Std)	<b>S</b> Single Upholstery	Fabric	Fabric	<b>8B</b> Ebony <b>9F</b> Gris
<b>Y</b> Headrest		<b>D</b> Dual Upholstery	Leather	Leather	

#### SAMPLE ORDER CODE

<b>KLNBMU N</b>	<b>P</b>	<b>D</b>	<b>R101</b>	<b>R101</b>	<b>8B</b>
-----------------	----------	----------	-------------	-------------	-----------

#### PRODUCT OPTIONS (CONTINUED)

Base Finish	Cylinder Style	Castors	Castors Finish	Assembly Style
<b>8B</b> Ebony	<b>1</b> Standard	<b>Y</b> Hard Castors <b>A</b> Soft Castors <b>H</b> Hard Castors (EN Std)	<b>1</b> Ebony	<b>N</b> Not Fully Assembled
<b>C9</b> Polished Aluminum	<b>3</b> Low			<b>F</b> Fully Assembled

#### SAMPLE ORDER CODE (CONTINUED)

<b>C9</b>	<b>1</b>	<b>A</b>	<b>1</b>	<b>N</b>
-----------	----------	----------	----------	----------

Pricing is continued on the following page.

K L N B G M U

**Seço – Synchro-Tilt Task Chair  
(Upholstered Back) (continued)**

29

DESCRIPTION	PRICE										
	Grade AA	Grade 1	COM/ Grade 2	COL/ Grade 3	Grade 4	Grade 5	Grade 6	Grade 7	Grade 8	Grade 9	Leather LA/ Grade 10
<b>NO HEADREST (N)</b>											
4D Arms	610	670	730	770	810	850	890	930	970	1010	1050
4D Arms (EN Std)	610	670	730	770	810	850	890	930	970	1010	1050
<b>WITH HEADREST (Y)</b>											
4D Arms	680	740	800	840	880	920	960	1000	1040	1080	1120
4D Arms (EN Std)	680	740	800	840	880	920	960	1000	1040	1080	1120
If Dual Upholstery (D) is specified											add 177
If Ebony Frame, Polished Aluminum Base are specified											add 60
If Gris Frame, Polished Aluminum Base are specified											add 170
If Soft Casters, Ebony Finish are specified											add 19

stacking chairs

# stacking chairs

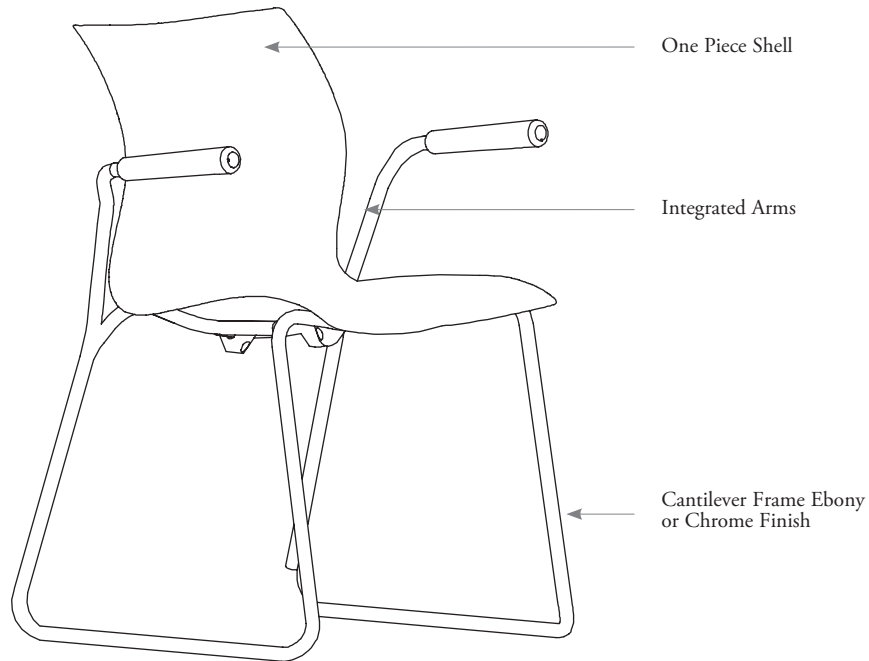
NAMI .....32

VOLUME .....36

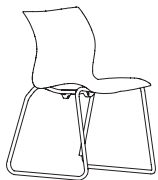
## nami overview

### Overview

❗ Nami chairs have been designed and tested for users weighing up to 250 lbs.



### Statement of Line



Stacking Guest Chair  
Cantilever Frame –  
No Arms



Stacking Guest Chair  
Cantilever Frame –  
Integrated Arms



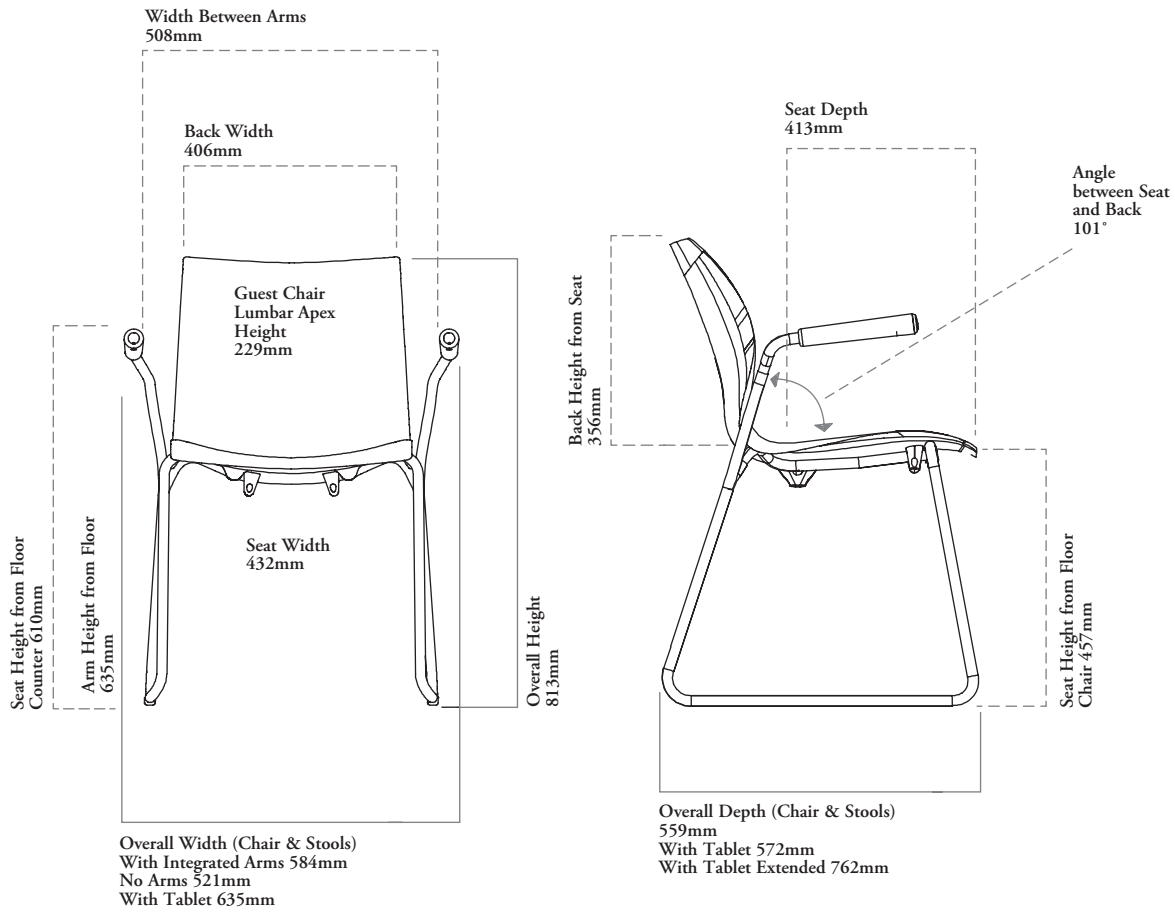
with Bookrack  
\* Ganging Device and  
Dolly also available



with Tablet  
\* Ganging Device and  
Dolly also available

### Dimensions

WEIGHT	
Bar Stool	20 lbs
Counter Stool	19 lbs
Chair	17 lbs



### Other Dimensions

- Dolly Dimensions – x 102cm d x 130cm h x 64cm w
- Dolly Dimensions with 20 stacked chairs – 102mm d x 188cm h x 64cm w
- Tablet Dimensions – 45cm d x 43cm w
- Bookrack Dimensions – 40cm d x 25cm x 30cm w

## KLNNAC

### Nami – Stacking Guest Chair

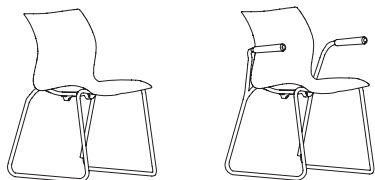
#### FEATURES

- Stacks 20 high on the dolly
- Stacks 8 high on the floor
- Ganging device can gang any combination of arm option (including tablet arm)
- Multi-surface glides

#### NOTES

When With Ganging (G) is selected, a ganging device is included to connect two chairs.

34



#### PRODUCT OPTIONS

Frame Style	Arm Style	Frame Finish	Shell Finish	Tablet Option (If Applicable)	Other Options
<b>C</b> Sled	<b>N</b> No Arms	<b>C6</b> Chrome	<b>7F</b> Ebony <b>7P</b> Lunar Grey <b>7A</b> Fearless Red <b>7Y</b> Storm White <b>7H</b> Light Grey <b>7K</b> Deep Ocean <b>8C</b> Very White	<b>N</b> No Tablet (Shown)	<b>N</b> No Ganging <b>G</b> With Ganging

#### SAMPLE ORDER CODE

<b>KLNNAC C</b>	<b>K</b>	<b>52</b>	<b>7F</b>	<b>N</b>	<b>G</b>
-----------------	----------	-----------	-----------	----------	----------

#### DESCRIPTION

#### PRICE

No Arms

344

If Chrome Finish (C6) is specified      add 106

If Ganging Device (G) is specified      add 66

**KLNNA**

## Nami – Chair Accessories

**FEATURES**

- Ganging Device can gang any combination of arm option (including tablet arm)
- Hard casters are standard on the Dolly

**NOTES**

The Ganging Device is used to attach two Nami Stacking Chairs (NNAC) that were not previously ordered with the Ganging option.

Bookrack must be field installed.

Dolly will hold 20 Nami Chairs (NNAC) without Tablet Arm.



Dolly



Bookrack



Ganging Device

**PRODUCT OPTIONS**

Accessories	Bookrack Finish (If applicable)
G Ganging Device	52 Ebony
B Bookrack	C6 Chrome
W Dolly	

**SAMPLE ORDER CODE**

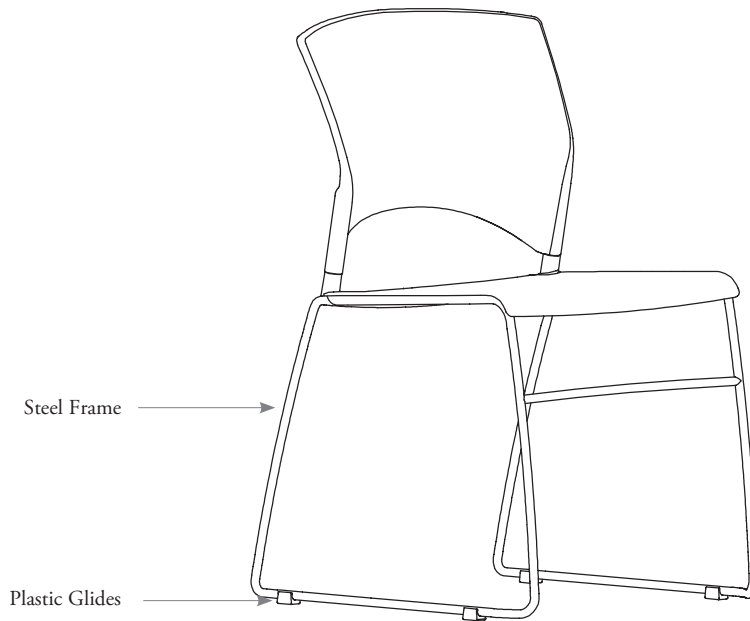
<b>KLNNA B</b>	<b>52</b>
----------------	-----------

DESCRIPTION	PRICE
Ganging Device	66
Bookrack	94
Dolly	397

## volume overview

### Overview

❗ Volume chairs have been designed and tested for users weighing up to 250 lbs.



---

### Statement of Line



Stacking Chair –  
No Arms



With Tablet  
(right-handed)



With Tablet  
(left-handed)



With Bookrack



With Tablet  
(right-handed) &  
Bookrack



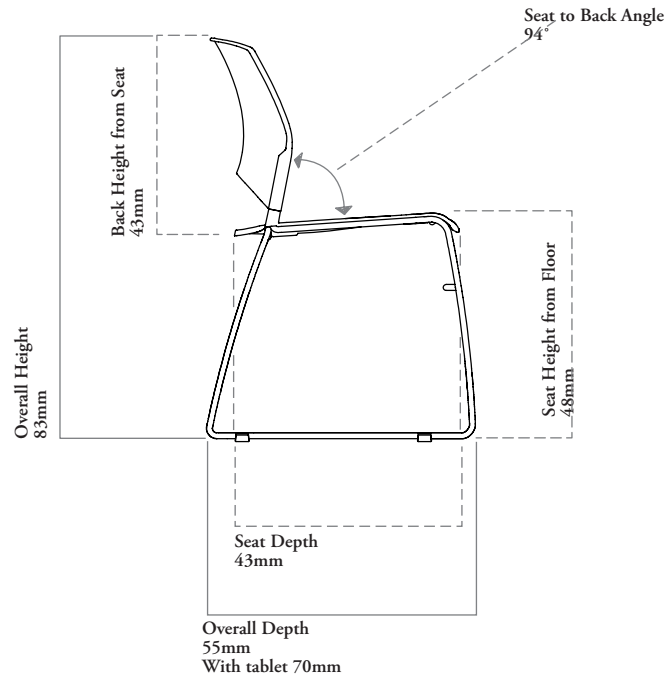
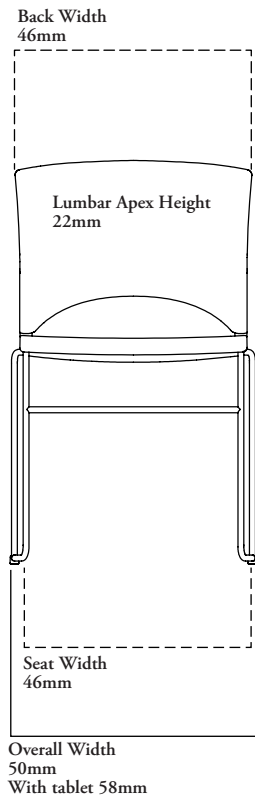
With Tablet  
(left-handed) &  
Bookrack

\* Ganging Device, Upholstered Seat and Dolly also available

# volume dimensions & material requirements

## Dimensions

WEIGHT	
Chair	15 lbs



## Other Dimensions

- Dolly Dimensions – 102cm d x 64cm w x 89cm h
- Dolly Dimensions with 35 stacked plastic chairs or 25 stacked upholstered chairs – 193cm h x 64cm w x 107cm d
- Tablet Dimensions – 45cm d x 43cm w
- Bookrack Dimensions – 30cm w x 36cm l

## COM/COL Material Requirement

⚠ More yardage may be required depending upon the pattern repeat and the matching required. Leather yield may be affected by the quality of the COL. However, variance in the size of the hides will not affect the yield.

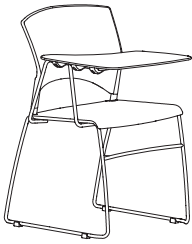
### SEAT UPHOLSTERY

	COM [yards]	COL [sq. ft]
Medium	3/4	6 1/2

## KLNHDS

### Volume – Stacking Chair

38



#### FEATURES

- Non upholstered chairs stack 35 high on the dolly and 10 high on the floor
- Upholstered chairs stack 25 high on the dolly and 8 high on the floor

#### NOTES

When Tablet Arm is specified, chair is no longer stackable.

When Bookrack is specified, chair is no longer stackable.

Tablet surface is finished in Ebony and frame is finished in Chrome.

Bookrack is finished in Chrome frame with Ebony plastic shelf details.

#### PRODUCT OPTIONS

Arm Style	Upholstered/Seat Style	Back Finish	Seat Finish	Upholstery Finish (If applicable)	Frame Finish	Bookrack	Tablet Arm
N No Arms	U Upholstered	7F Ebony	7F Ebony	Fabric	C Chrome	N No Bookrack	N No Tablet Arm
	N Not Upholstered	7Y Storm White	7Y Storm White			B With Bookrack	R With Tablet Arm (right-handed)
		7E Espresso	7E Espresso			L With Tablet Arm (left-handed)	
		6H Medium Grey	6H Medium Grey				
		7K Deep Ocean	7K Deep Ocean				

#### SAMPLE ORDER CODE

KLNHDS N	U	7F	7E	X720	C	B	R
----------	---	----	----	------	---	---	---

#### DESCRIPTION

Not Upholstered Seat  
Upholstered Seat

#### PRICE

	COM/ Grade 1	COM/ Grade 2	COL/ Grade 3	Grade 4	Grade 5	Grade 6	Grade 7	Grade 8	Grade 9	Grade 10
Not Upholstered Seat	205	n/a	n/a	n/a	n/a	n/a	n/a	n/a	n/a	n/a
Upholstered Seat	n/a	303	325	349	372	395	416	440	462	486

If Bookrack (B) is specified add 93  
If Tablet Arm (R) or (L) is specified add 159

### Volume – Chair Accessories

#### FEATURES

- Hard casters are standard on the Dolly

#### NOTES

Bookrack and Tablet Arm must be field installed.

Dolly will hold 35 non upholstered Volume chairs (NHDS) without Tablet Arm or Bookrack.

Dolly will hold 25 upholstered Volume chairs (NHDS) without Tablet Arm or Bookrack.

Tablet surface is finished in Ebony and frame is finished in Chrome.

Bookrack is finished in Chrome frame with Ebony plastic shelf details.

Ganging Device ships in quantities of 10.



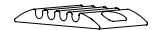
Dolly



Bookrack



Tablet  
(right or  
left-handed)



Ganging Device

#### PRODUCT OPTIONS

##### Accessories

**B** Bookrack

**G** Ganging Device

**R** Tablet (right-handed)

**L** Tablet (left-handed)

**W** Dolly

#### SAMPLE ORDER CODE

**KL NHD G**

#### DESCRIPTION

#### PRICE

Bookrack

93

Ganging Device (quantity: 10)

66

Tablet (right or left-handed)

159

Dolly

403

fabrics & finishes

# fabrics & finishes

TEKNION FABRICS . . . . . 38

MALAYSIA FABRICS . . . . . 42

## teknion's standard upholstery fabrics

**Grade 1****Fundamentals**

Salsa	E 504
Banner	E 505
Parakeet	E 516
Brier	E 518
Sudan	E 519
Wendigo	E 520
Armory	E 521
Light Grey	E 522
Black	E 523
Vanilla	E 524
Forsythia	E 525
Tangelo	E 526
Fushia	E 527
Verde	E 528
Aqua	E 529
Azure	E 530
Gris	E 531
Dove	E 532
Nickel	E 533
Slate	E 534
Latte	E 535
Marble	E 536
Moonstone	E 537
Lapis	E 538
Malachite	E 539
Garnet	E 540

**Magnify**

Telescope	M 140
Polished Mirror	M 141
Reflection	M 142
Zoom Lens	M 143
Force Field	M 144
Long Wave	M 145
Deep Water	M 146
Light Beam	M 147
Flare Up	M 148
Viewfinder	M 149
Bright Eyes	M 150
Infrared	M 151
Intensity	M 152

**Grade 1****Stimuli**

Sensitive	S 145
Turbinado	S 146
Rush	S 147
Zest	S 148
Tactile	S 149
Daredevil	S 150
Euphoria	S 151
Vigor	S 152
Thrill	S 153
Catalyst	S 154
Black Tea	S 155

**Grade 2****Beaded Stripe**

Venetian	P 497
Crystal	P 498
Amulet	P 499
Gemstone	P 500
Lazuli	P 501
Cinnabar	P 502

**Complement**

Nightfall	T 148
Dusk	T 149
Grey Wolf	T 150
Sea Salt	T 151
Roan	T 152
Amarillo	T 153
Arancia	T 154
Carnelian	T 155
Garnet	T 156
Larkspur	T 157
Fresh Air	T 158
Peacock	T 159
Jade	T 160
Pine	T 161

**Grade 2****Cross Dye**

Earl Grey	C 120
Linen	C 121
Light Birch	C 122
Almond	C 123
Soft Shadow	C 124
Ace Grey	C 125
Cool Ash	C 126
Carotene	C 127
Crimson	C 128
Carmine	C 129
Tea Tree	C 130
Artichoke	C 131
Plum	C 132
Watercolor	C 133
Azure	C 134
Logwood	C 135

**Percept**

Schema	P 106
Pristine	P 107
Intrinsic	P 108
Methodic	P 109
Sublime	P 110
Context	P 111
Essence	P 112
Tenet	P 113
Epiphany	P 114
Verve	P 115
Amplitude	P 116
Reason	P 117
Cardinality	P 118
Nebula	P 119
Jubilant	P 120
Ignite	P 121
Harmonic	P 122
Peak	P 123
Devotion	P 124

## teknion's standard upholstery fabrics (continued)

Grade 2	
Marl Cloth	
Yurt	F 314
Guy Rope	F 315
Cabana	F 316
Camp Fire	F 317
Dry Stone	F 318
Wilderness	F 319
Berry	F 320
Blacksmith	F 321
Sea Nomad	F 322
Wild Fruit	F 323
Dreamscape	F 324
Landmark	F 325
Tree Bark	F 326
Miami	
Collins Avenue	M 507
Wynwood	M 522
Homestead	M 523
Dade	M 524
Liberty City	M 526
Coral Gables	M 528
South Beach	M 529
Pinecrest	M 530
Boardwalk	M 531
Downtown	M 532
Ultra Durable (Vinyl)	
Vitality - Mohair	V 180
Vitality - Iced Coffee	V 182
Vitality - Bark	V 183
Vitality - Tungsten	V 184
Vitality - Black Velvet	V 187
Wet Clay	V 490
Silver Age	V 493
Cashew	V 494
Harvest	V 495
Apricot	V 496
Morning Glory	V 497
Olivine	V 498
Sunset	V 499
Neptune	V 500
Rhubarb	V 502
Fig	V 503

Grade 2	
Fine Grain	
Warm Earth	F 401
River Ore	F 402
Saw Dust	F 403
Putty Paste	F 404
White Out	F 405
Lunar Regolith	F 406
Metallic Swarf	F 407
Volcanic Ash	F 408
Carbon Neutral	F 409
Frosted Zephyr	F 410
Deep Indigo	F 411
Fathom Blue	F 412
Sea Weed	F 413
Matcha Leaves	F 414
French Beige	F 415
Ginger Snap	F 416
Martian Soil	F 417
Madder Root	F 418
Garnet Sand	F 419
Iron Oxide	F 420
Peat Moss	F 421
Grade 3	
Ample	
Quark	T 220
Voltage	T 221
Sunburst	T 222
Gamma	T 223
Radioactive	T 224
Chameleon	T 225
Volcanic	T 226
Reaction	T 227
Zeal	T 228
Cosmic	T 229
Blue Comet	T 239
Cavern	T 240
Vortex	T 241
Neutron	T 242
Tempered	T 243
Aurora	T 244

Grade 3	
Point Emboss	
Magnetic	P 200
Laser Scan	P 201
Sun Flash	P 202
Silver Halide	P 203
Transition Metal	P 204
Hot Spot	P 205
Zinc	P 206
Spectrum	P 207
Cyan	P 208
Shutter	P 209
Light Resistor	P 210
Blu-Ray	P 211
Implex	
Profound	P 613
Subtle	P 614
Emphasis	P 615
Fathom	P 616
Vapor	P 617
Mask	P 618
Mystic	P 619
Foil	P 620
Hidden	P 621
Obscure	P 622
Situ	
Archeology	F 115
Pozzolana	F 116
Amphora	F 117
Statue	F 118
Wind Tower	F 119
Tunnel	F 120
Phosphor	F 121
Flamante	F 122
Hydro	F 123
Terrena	F 125
Mar	F 126
Intone	
Ash	LM 12
Creme	LM 13
Harbor	LM 14
Quicksilver	LM 15
Caraway	LM 16
Oxide	LM 17
Cinder	LM 18
Lute	LM 19
Pome	LM 20
Eclipse	LM 21

## teknion's standard upholstery fabrics (continued)

**Grade 4****Velvet Underground**

Metal Machine	V310
Flame Desire	V313
Blue Denim	V315
Dark Moon	V317
Blacktop	V318

**Grade 5****Substance**

Quartz	S172
Terrain	S173
Adobe	S174
Lodestone	S175
Bluestone	S176
Green Beryl	S177
Chert	S178
Foundation	S179
Forge	S180

**Flexagon**

Projection	F101
Compass	F102
Benchmark	F103
Core	F104
Field	F105
Blueprint	F106
Twin Sun	F107
Zenith	F108
Night Vision	F109
Peatlands	F110
Northern Lights	F111
Isobar	F112

**Synaptic**

Contact	S135
Phase	S136
Dispatch	S137
Conduit	S138
Sensory	S139
Receptor	S140
Traverse	S141
Transmission	S142
Juncture	S143
Axon	S144

**Metatexture**

Deep Space	M224
Grey Matter	M225
Pale Shadow	M226
Silver Lining	M227
Hive Mind	M228
Neutral Ground	M229
Grassroots	M230
Jaded	M231
Deep Dive	M232
Blue Skies	M233
Rosy Outlook	M234
Heat Wave	M235
Punchline	M236

**Grade 6****Perilune**

Terrene	M160
Asteroid	M161
Stellar	M162
Satellite	M163
Gravity	M164
Red Shift	M165
Blue Moon	M166
Space Age	M167
Verdant	M168
Pulsar	M169
Solar	M170
Hot Crater	M171

**Vital**

Cosmos	V207
Elements	V208
Volt	V209
Air	V210
Harvest	V211
Cocoa	V212
Flora	V213
Ember	V214
Produce	V215
Oceanic	V216
Tidal	V217
Spring	V218
Orchard	V219
Light Ray	V220

**Amalgam**

Aura	K106
Pyrite	K107
Medallion	K108
Fluid	K109
Ultraviolet	K110
Jolt	K111
Nitro	K112
Magma	K113
Fuse	K114

**Grade 7****Point to Point**

Affinity	P327
Encoded	P328
Embedded	P329
Synchronize	P330
Install	P331
Digitize	P332
Vox el	P333

**Disrupt**

Calibrate	D303
Adjust	D304
Refocus	D305
Unearth	D306
Shift	D307

**Outpress**

Ashen	C237
Sand	C238
Stone	C239
Soot	C240
Raven	C241
Pepper	C242
Monarch	C243
Caribbean	C244
Demin	C245

**Two Tone**

Ghost Town	S631
New Wave	S632
Dance Craze	S633
Mod Suit	S634
English Rose	S636
Black Vinyl	S637
Blue Suede	S638
The Beat	S639

## teknion's standard upholstery fabrics (continued)

**Grade 8****Heather Felt**

Noil	H 510
Alumina	H 511
Bone Ash	H 512
Pinon Tree	H 513
Vicuna	H 514
Saddle	H 515
Indian Ocean	H 516
Mustard Seed	H 517
Saffron	H 518
Acai	H 519

**Homage**

Respect	H 100
Winsome	H 101
Esteem	H 102
Dashing	H 103
Authority	H 104
Dapper	H 105

**Grade 9****Full Wool**

Fantasma	F 206
Blanc	F 207
Dune	F 208
Hot Stone	F 209
Eclair	F 210
Macchiato	F 211
Hat Trick	F 212
Peridot	F 213
Tigerlily	F 214
Fresh Water	F 215
Serpent	F 216
Spice	F 217
Neptune	F 218
Safari	F 219
Vintage Red	F 220
Lagoon	F 221
Oak Room	F 222
Deep Orchid	F 223

**Grade 10****Angulo**

Intarsia	A 140
Bevel	A 141
Wenge	A 142
Plated	A 143
Extent	A 144
Inlay	A 145

**Iterate**

Rumble	T 110
Echo	T 111
Chime	T 112
Signal	T 113
Vibe	T 114
Cite	T 115
Rattle	T 116
Cast	T 117
Pulse	T 118

**Leather LA****Base Grade Leather**

Shale	L 101
Black	L 104
Chocolate	L 204
Chime	L 205
Fossil	L 206
Poppy	L 210
Parlor	L 211
Marine	L 212
Buttercup	L 214
White	L 215
Sand	L 200
Porcino	L 201

## malaysia standard upholstery fabrics

**Grade AA****Philomina (only available for Mina)**

Black	SP01
Red	SP02
Tangerine	SP03
Sapphire	SP06
Hops	SP10
Olie	SP11
Pearl Grey	SP16
Cork	SP17
*Black Mesh K30A	SP04

**Philomina (only available for Seño)**

Black	SP01
Red	SP02
Tangerine	SP03
Sapphire	SP06
Hops	SP10
Olie	SP11
Pearl Grey	SP16
Cork	SP17
*Black Mesh (4780-11)	SP18
*Light Grey Mesh (4780-15)	SP19
*Dark Grey (4780-16)	SP21
*White Mesh (3319-30)(R)	SP22

\*Applicable to back only.

# teknion

[www.teknion.com](http://www.teknion.com)

IN ASIA

Lot 761 Jalan Haji Sirat  
Klang, Selangor  
42100 Malaysia  
Tel 603.3342.4345  
603.3342.3466

IN CANADA

1150 Flint Road  
Toronto, Ontario  
M3J 2J5 Canada  
Tel 866.teknion  
866.835.6466

IN THE USA

350 Fellowship Road  
Mt Laurel, New Jersey  
08054 USA  
Tel 877.teknion  
877.8335.6466

OTHER OFFICES LOCATED IN

Europe, South and Central America,  
Middle East and Russia  
For regional contact information  
go to [www.teknion.com](http://www.teknion.com)

MY 02

© Teknion 2019

®, ™ trade marks of Teknion Corporation  
and/or its subsidiaries or licensed to it.

Patents may be pending.