

application guides

FRAMES, WORKSURFACES & SUPPORTS	33
TABLES	67
SCREENS	75
STORAGE & ACCESSORIES	127
ELECTRICAL & DATA	185

frames, worksurfaces &
supports

frames, worksurfaces & supports

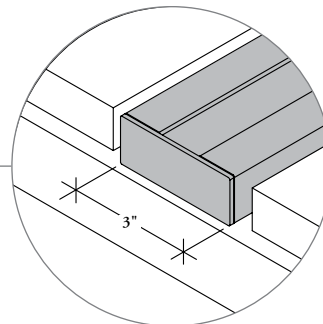
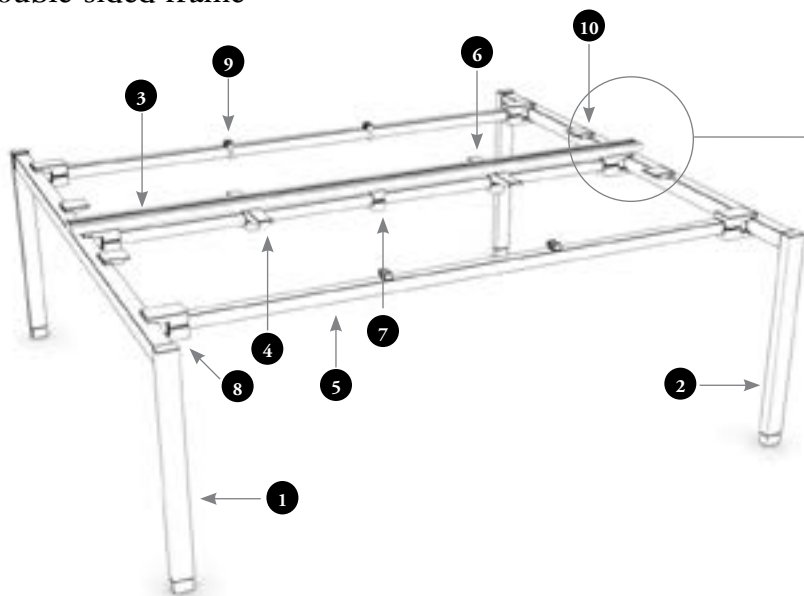
UNDERSTANDING INTERPRET FRAMES	34
BEGINNING, MIDDLE & FINISH FRAME BASICS	40
PLANNING WITH BEGINNING, MIDDLE & FINISH FRAMES	42
ACCOMMODATION KIT BASICS	43
COMPLETE FRAME BASICS	44
120° FRAME BASICS	45
PLANNING WITH 120° FRAMES	48
RETURN FRAME BASICS	50
PLANNING WITH RETURN FRAMES	52
CPU HOLDER & RECESSED REINFORCEMENT BRACKET BASICS	53
SINGLE-SIDED & DOUBLE-SIDED WORKSURFACE BASICS	54
PLANNING WITH SINGLE-SIDED & DOUBLE-SIDED WORKSURFACES	55
120° WORKSURFACE BASICS	56
PLANNING WITH 120° WORKSURFACES	57
RETURN WORKSURFACE BASICS	58
PLANNING WITH RETURN WORKSURFACES	59
RETURN WORKSURFACE SUPPORT BASICS	60
PLANNING WITH RETURN WORKSURFACE SUPPORTS	61
PENINSULA WORKSURFACE BASICS	62
HEIGHT-ADJUSTABLE WORKSURFACE SUPPORT BASICS	63
SLIDING WORKSURFACE SUPPORT BASICS	64
INTEGRATING KEYBOARD TRAYS	65

understanding interpret frames

An Interpret bench begins with a common double-sided, single-sided or 120° frame structure that supports a variety of worksurface types, screens, storage and accessories. The following outlines the components and features of the frame structure.

double-sided frame

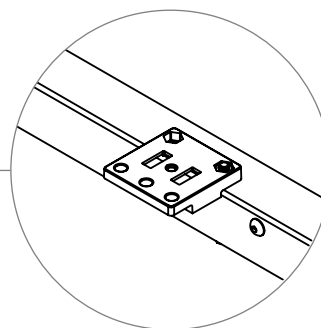
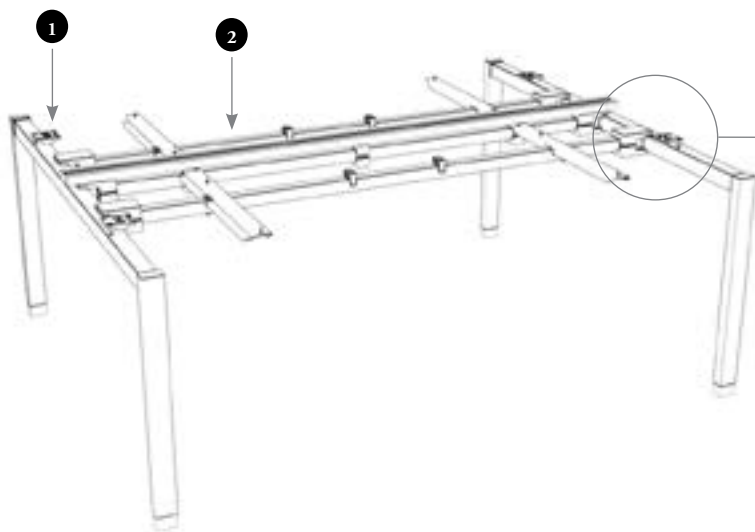
34



A 3" wide Accessory Beam runs centered on the frame and supports screens, accessories and storage.

- 1 End Gable
- 2 Recessed Mid Gable
- 3 3" Accessory Beam
- 4 Center Support Beam
- 5 Front Support Beam
- 6 Fixed Height Cantilever
- 7 Accessory Beam Clamp
- 8 Beam Clamp
- 9 Worksurface Support Clamp
- 10 Four Front Spacers (78"-96" wide)

accommodation kit



Front Spacers are designed to provide support to the front of the worksurface.

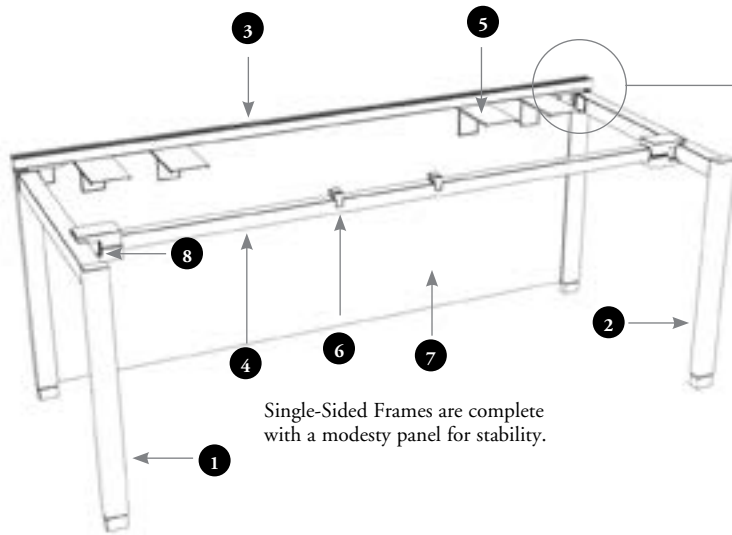
- 1 Four Front Spacers
- 2 Two Support Cross Beams

Finishes

Frames are finished in Foundation, Mica & Accent.

understanding interpret frames (continued)

single-sided frame

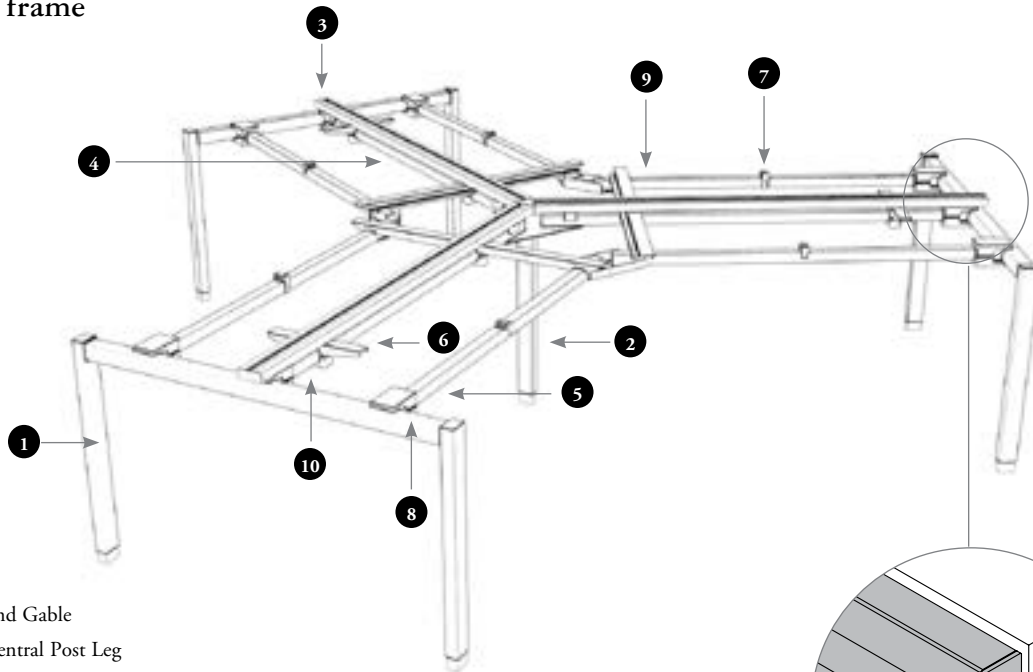


Single-Sided Frames are complete with a modesty panel for stability.

A 1-3/4" wide Thin Accessory Beam runs along the back of the frame and supports screens but does **not** support spine mounted overheads or MAST Monitor Arms.

- 1 End Gable
- 2 Full Mid Gable
- 3 Thin Accessory Beam
- 4 Front Support Beam
- 5 Fixed Height Cantilever
- 6 Worksurface Support Clamp
- 7 Modesty Panel
- 8 Beam Clamp

120° frame



- 1 End Gable
- 2 Central Post Leg
- 3 3" Accessory Beam
- 4 Center Support Beam
- 5 Front Support Beam
- 6 Fixed Height Cantilever
- 7 Worksurface Support Clamp
- 8 Beam Clamp
- 9 120° Cantilever
- 10 Accessory Beam Clamp

The same 3" wide Accessory Beam used on Double-Sided Frame runs centered on the frame and supports screens, accessories and storage.

Finishes

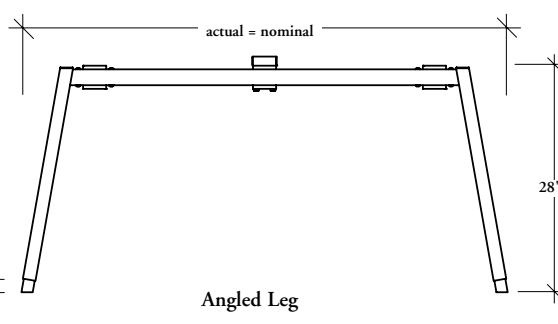
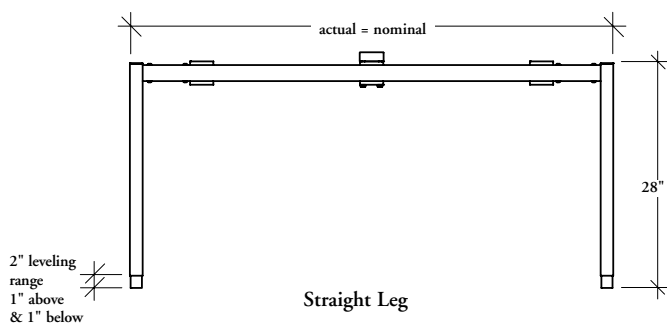
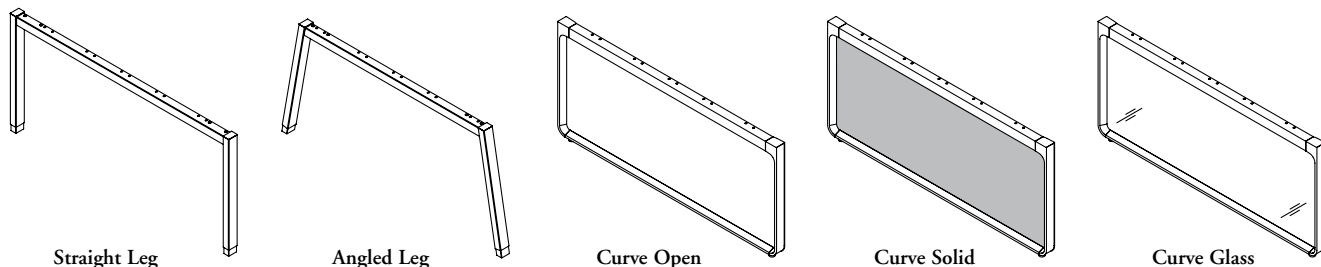
Frames are finished in Foundation, Mica & Accent.

understanding interpret frames (continued)

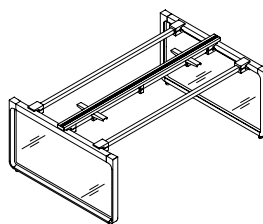
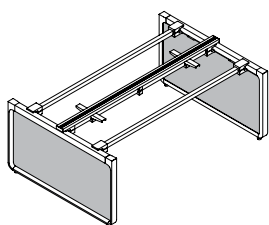
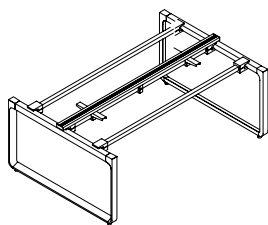
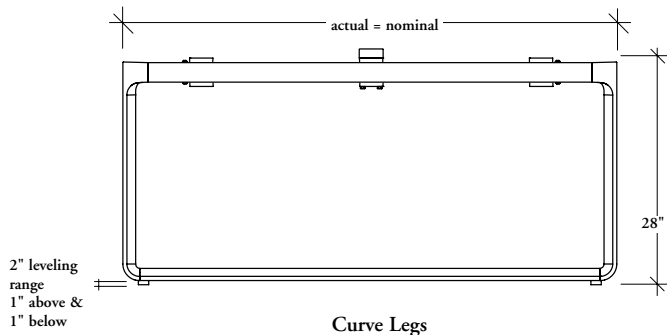
Frames are available with three leg Styles, Straight, Angled and Curve.

double-sided frame and 120° frames

36



On the Double-Sided Frame the actual depth equals the nominal depth.



The open and solid infill options of the curve legs are available on Double-Sided Complete Frames (WWSDC), Beginning Frames (WWSDB) and Finish Frames (WWSDF) with 48", 60" & 72" depths.

The glass infill option of the Curve Leg is available on the Double-Sided Complete Frame (WWSDC), Double-Sided Beginning Frame (WWSDB) and Double-Sided Finish Frames (WWSDF) with 48" and 60" depths only.

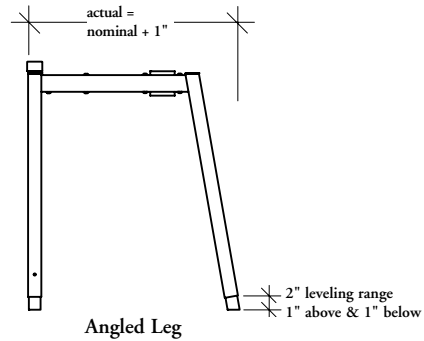
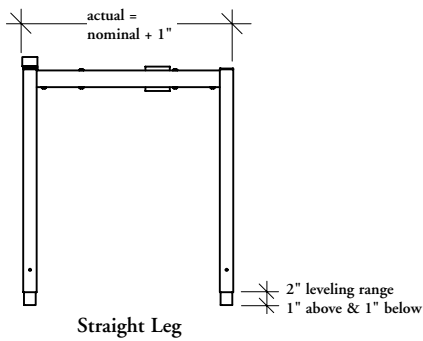
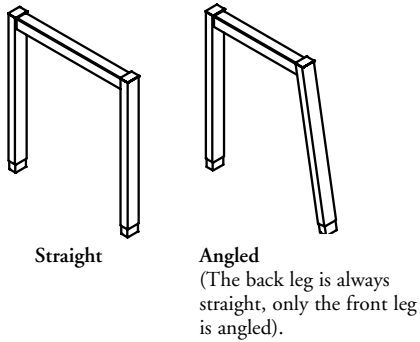
Finishes

- Glass Infill on Curve Legs are finished in Frost Glass (FT)
- Solid Infill on Curve Legs are finished in Source Laminate, Seamless & Flintwood

understanding interpret frames (continued)

single-sided frame

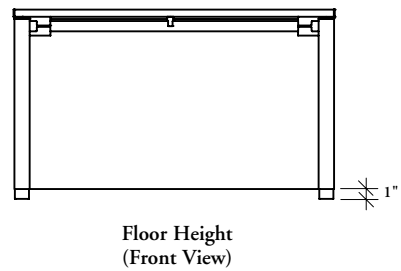
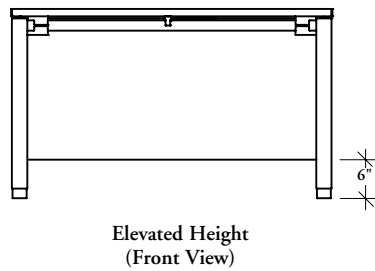
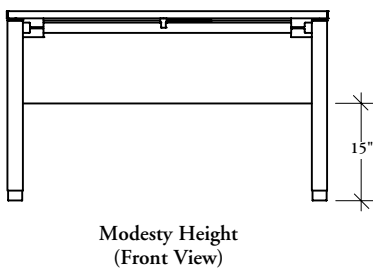
Note: The Curve Leg is not available on Single-Sided Frames.



On the Single-Sided Frame the actual depth is 1" deeper than the nominal depth to allow the same Functional Lateral Screens to be used on both the Double- and Single-Sided Frame. Please refer to the Screen Section for more information.

modesty panels

The Modesty Panels on Single-Sided Frames are available in three heights.



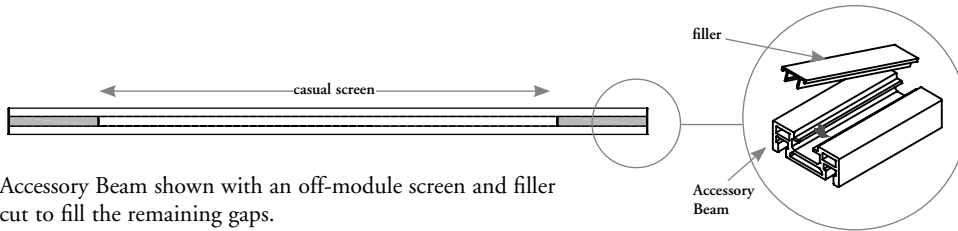
understanding interpret frames (continued)

accessory beam and thin accessory beam



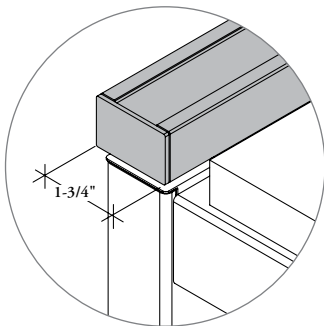
Accessory Beam shown with complete filler.

38

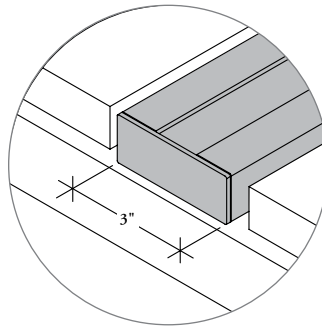


Accessory Beam shown with an off-module screen and filler cut to fill the remaining gaps.

- The Accessory Beam (3" wide) and the Thin Accessory Beam (1-3/4" wide) have a continuous filler which is removed when mounting storage, screens or accessories
- If off-module mounting is used, the remaining gap can be left exposed or the filler can be cut to fill the remaining exposed gap for a cleaner aesthetic



A 1-3/4" wide Thin Accessory Beam runs along the back of a Single-Sided Frame and supports screens but does **not** support spine mounted overheads or MAST Monitor Arms.

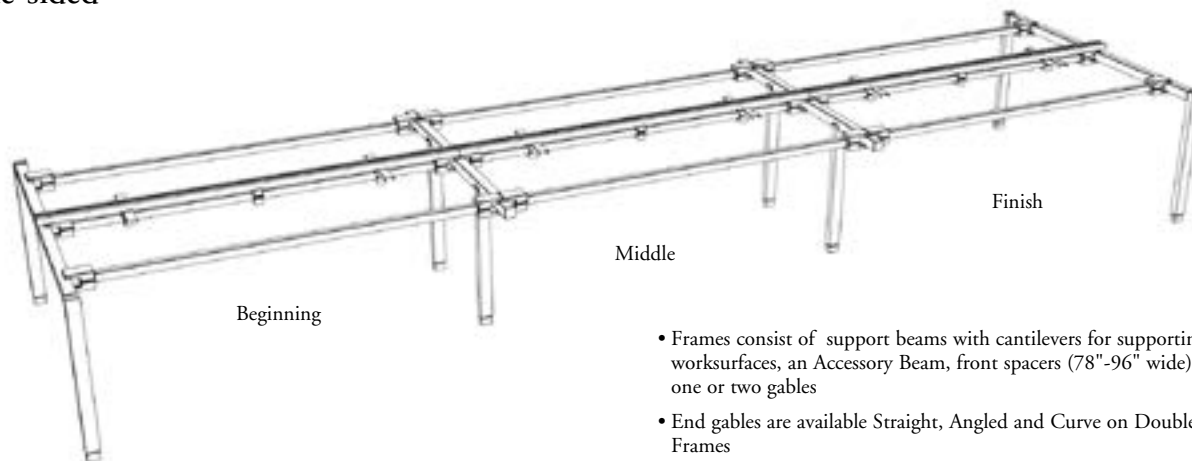


A 3" wide Accessory Beam runs centered on the Double-Sided or 120° Frames and supports screens, accessories and storage.

beginning, middle & finish frame basics

Beginning, Middle & Finish Frames are linked to create bench applications for multiple users, and are available single-sided and double-sided.

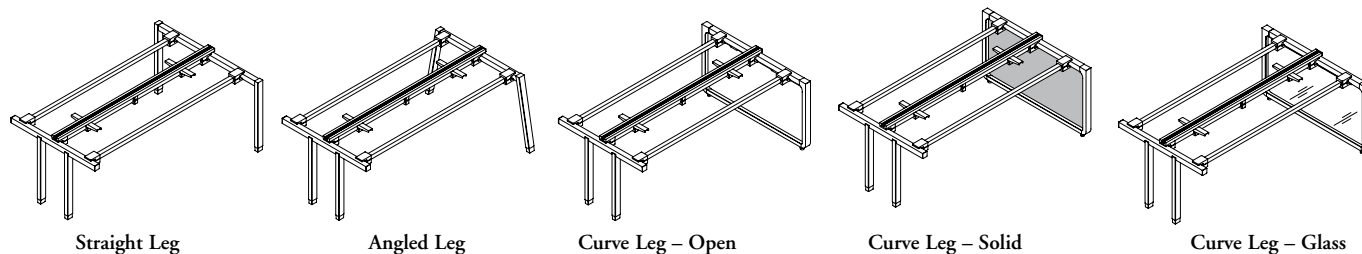
double-sided



- Frames consist of support beams with cantilevers for supporting worksurfaces, an Accessory Beam, front spacers (78"-96" wide) and either one or two gables
- End gables are available Straight, Angled and Curve on Double-Sided Frames
- Mid Gables are Recessed
- Widths include 48" - 96" in 6" increments
- Depths include 48", 60", & 72"

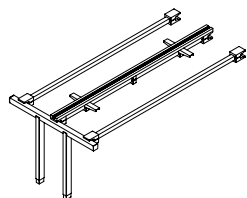
Double-Sided Beginning Frame (WWSDB)

Consists of one Full End Gable and one Recessed Mid Gable.



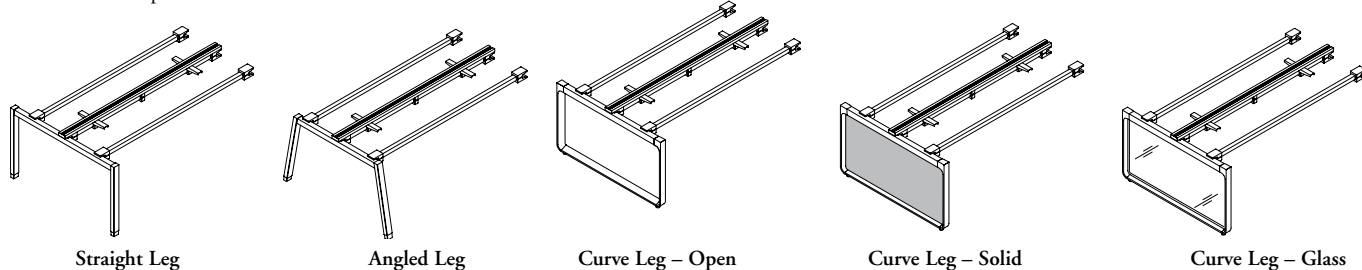
Double-Sided Middle Frame (WWSDMB)

Consists of one Open End and one Recessed Mid Gable (with Straight Legs only).



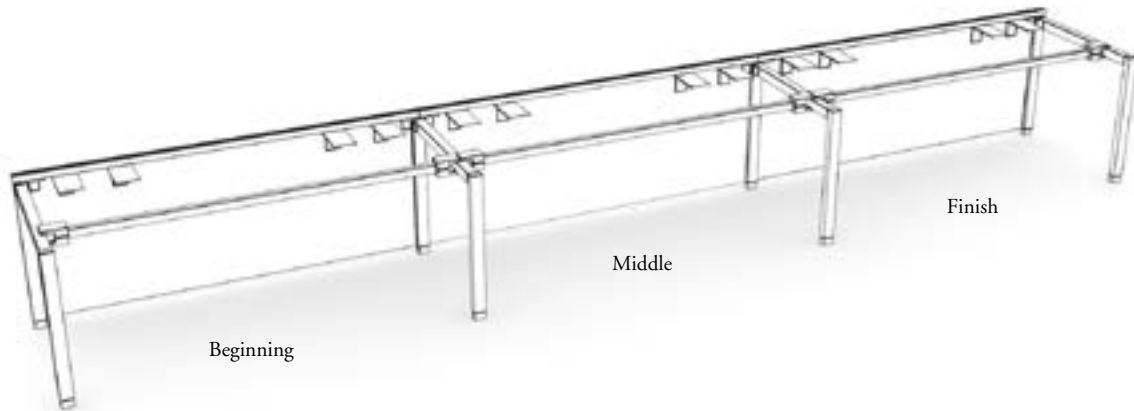
Double-Sided Finish Frame (WWSDFB)

Consists of one Open End and one Full End Gable.

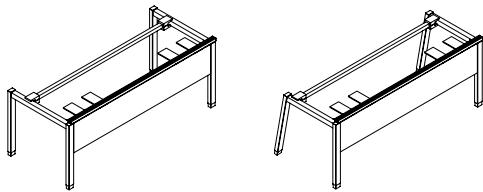


beginning, middle & finish frame basics (continued)

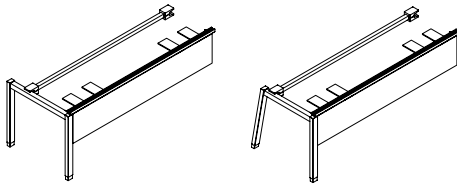
single-sided



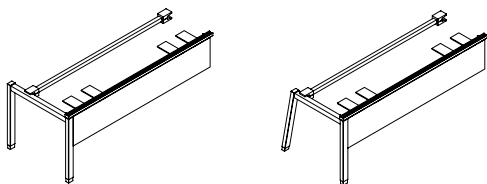
- Frames consist of support beams with cantilevers for supporting worksurfaces, a Thin Accessory Beam, either one or two gables and a modesty panel
- End gable styles are available Straight and Angled
- Mid Gables are flush
- Widths include 48" - 96" in 6" increments
- Depths include 24", 30" & 36" (nominal)
- Accommodation Kit (WWSLK) **cannot** be used on Single-Side Frames



Single-Sided Beginning Frame (WWSBB)
Consists of one Full End Gable and one Full Mid Gable.



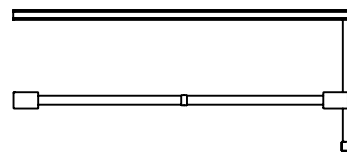
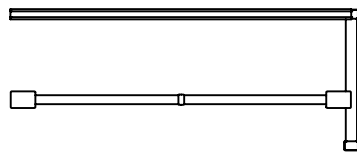
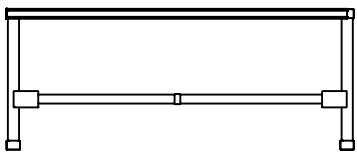
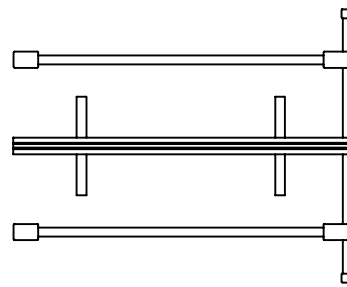
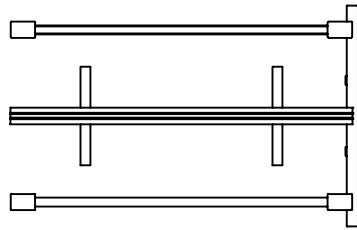
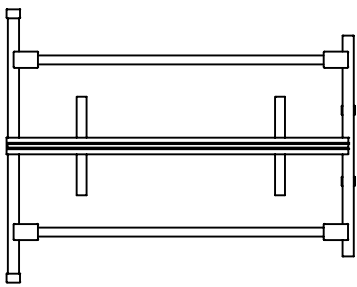
Single-Sided Middle Frame (WWSMB)
Consists of one Open End and one Full Mid Gable.



Single-Sided Finish Frame (WWSFB)
Consists of one Open End and one Full End Gable.

planning with beginning, middle & finish frames

The following should be considered when planning with Beginning, Middle and Finish Frames.



Beginning Frame

- Used only at the beginning of a bench structure and must be connected to a Middle Frame or a Finish Frame
- One Beginning Frame is required on all configurations

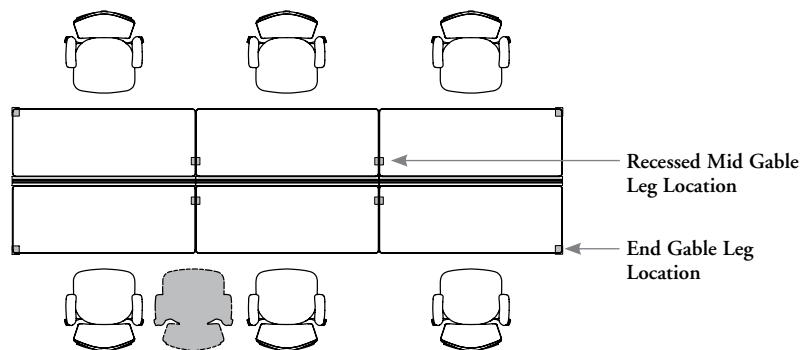
Middle Frames

- Used only in the middle of a bench structure and must be connected to a Beginning Frame on one side and either a second Middle Frame or a Finish Frame on the other side
- The number of frames required varies depending on the number of worksurfaces required between the Beginning and Finish Frames

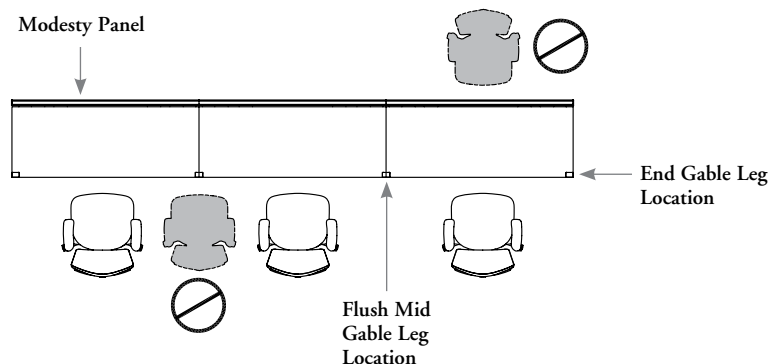
Finish Frame

- Used only at the end of a bench structure and must be connected to a Beginning Frame or a Middle Frame
- One Finish Frame is required on all configurations

On the Double-Sided Frame, the mid gable legs are recessed and are always straight to provide leg clearance for users and space for additional seating.



- On the Single-Sided Frame, the mid gable legs are **not** recessed so additional seating **cannot** be accommodated in the location of the leg
- Additional seating **cannot** be accommodated on the opposite side of the frame because all Single-Sided Frames require a modesty panel

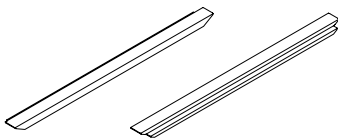


accommodation kit basics

The Accommodation Kit can be applied to an existing double-sided frame to move the front beams back towards the center of the frame, allowing for additional knee clearance.



43



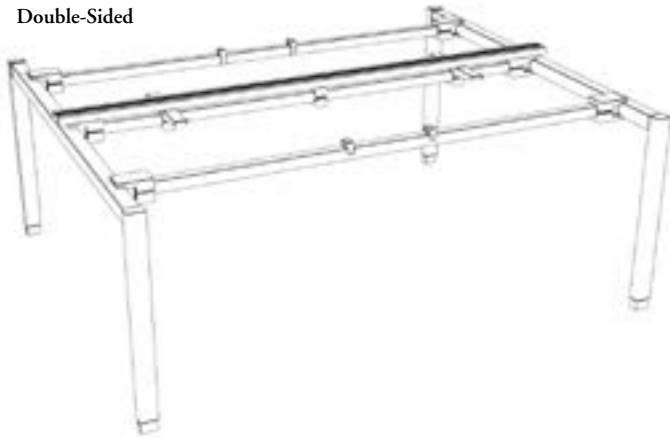
Accommodation Kit (WWSLK)

- Allows the front beam to be recessed by 14" on a 24" depth frame and 20" on a 30" depth frame.
- Available in widths from 48" - 72" to align with worksurface widths
- Available for the double-sided frame only
- **Cannot** be used in conjunction with any of the following products
 - Height-Adjustable Cantilever (WWSCCT)
 - CPU Holder (WWSKP)
 - Suspended Pedestal
 - Cubby or end above mounted storage
 - Return Worksurfaces (WWWRSS, WWWRRB)
 - Sliding Worksurfaces (WWWRS)
 - Flip Down Tray (WWED)
 - Height-Adjustable Pucks (WWSKP)

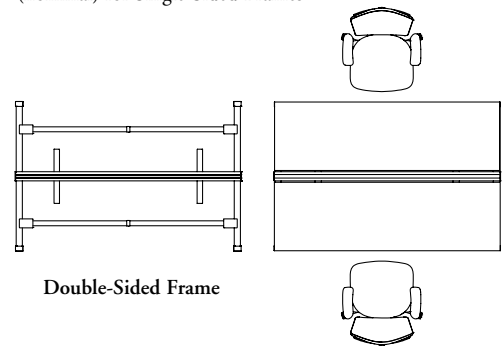
complete frame basics

Complete Frames are used when a basic 48" - 96" desk is required and no additional frames are required. They are available double-sided or single-sided .

Double-Sided



- Complete Frames consist of two full gables, support beams with cantilevers for supporting worksurfaces and an Accessory Beam
- End Gables are available Straight and Angled on Single-Sided and Double-Sided Frames. Curve Legs are available on Double-Sided Frames only
- Frames have a 2" nominal leveling range. 1" below and 1" above
- Frame widths include 48" - 96" in 6" increments
- Depths include 48", 60" & 72" for Double-Sided Frames and 24", 30" & 36" (nominal) for Single-Sided Frames

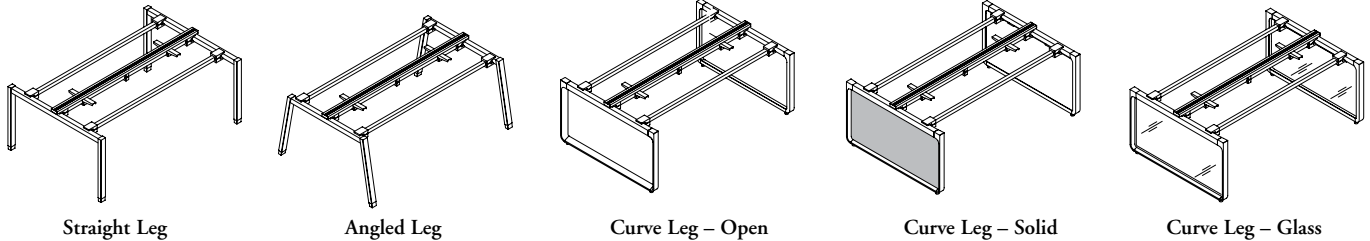


Double-Sided Frame

- Complete Frames do **not** attach to any other frames, they are intended to be used as single units only
- Double-Sided Frames allow for 2 - 4 users

Double-Sided Complete Frame (WWSDC)

Consists of two Full End Gables.



Straight Leg

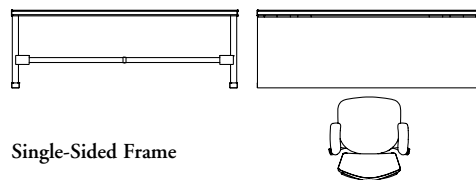
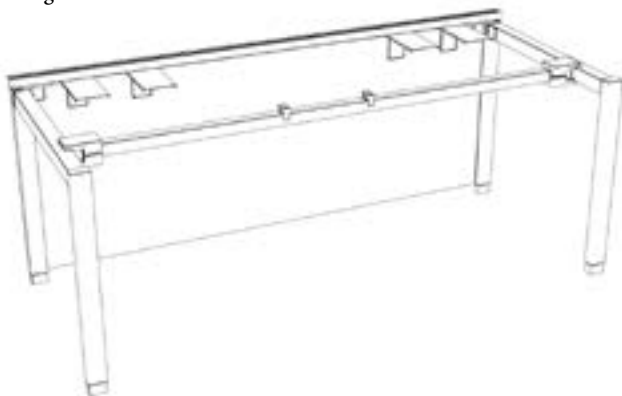
Angled Leg

Curve Leg - Open

Curve Leg - Solid

Curve Leg - Glass

Single-Sided

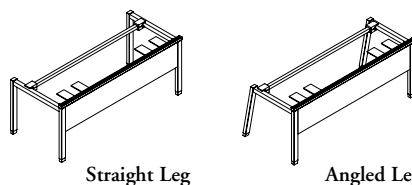


Single-Sided Frame

- Complete Frames do **not** attach to any other frames, they are intended to be used as single units only
- Single-Sided Complete Frames allow for 1 - 2 users

Single-Sided Complete Frame (WWSSC)

Consists of two Full End Gables.

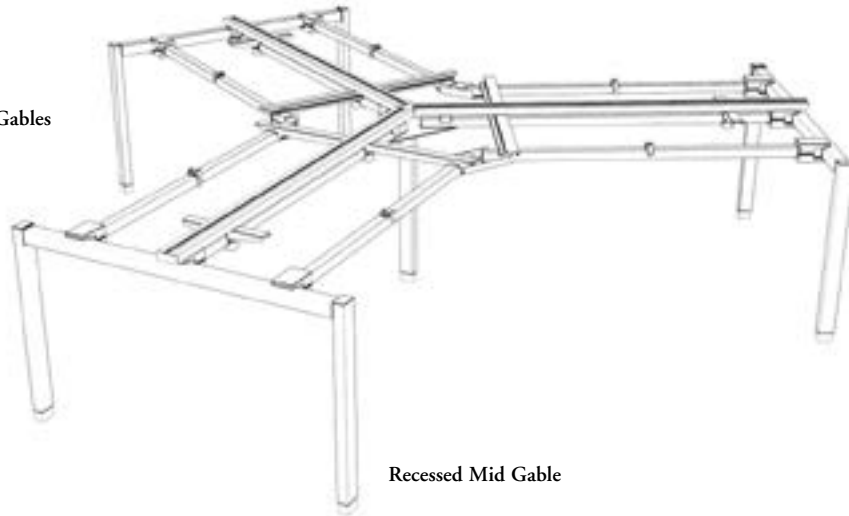


Straight Leg

Angled Leg

120° Frames incorporate components from Interpret Double-Sided Frames to create a variety of planning applications. 120° Frames are available double-sided only.

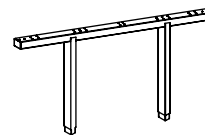
120° Frame with Three End Gables



Recessed Mid Gable

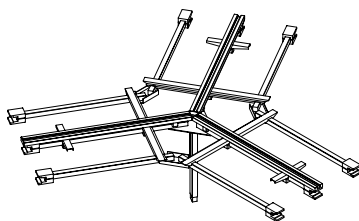
120° Frame (WWSTW)

- 120° Frames consist of 3 Horizontal Center Support Beams, with Cantilevers for supporting worksurfaces, 3 Accessory Beams, 1 Center Leg and either none, one, two or three End Gables
- Frame widths include 48", 54" & 60"
- Frame depths include 48" & 60"
- End Gables are available Straight, Angled & Curved
- The Accommodation Kit (WWSLK) cannot be used on 120° frames



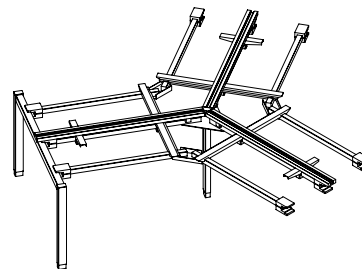
Recessed Mid Gable (WWSMD)

A Recessed Mid Gable is used to connect two 120° Frames together or a 120° Frame to a Double-Sided Middle or Finish Frame.



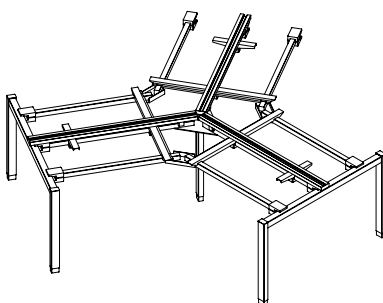
No End Gable

Used when Three Double-Sided Frames or 120° Frames and Recessed Gables are added.



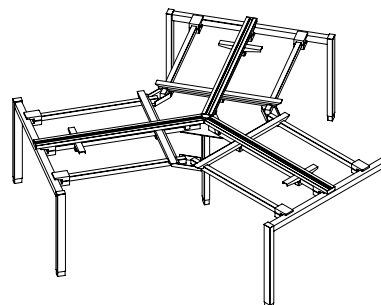
One End Gable

Used when Two Double-Sided Frames or 120° Frames and Recessed Mid Gables are added.



Two End Gables

Used when One Double-Sided Frame or 120° Frame and Recessed Mid Gables are added.

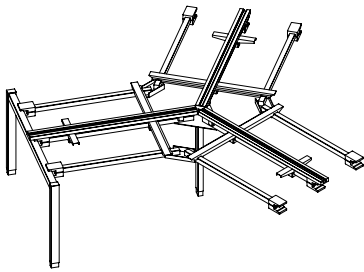


Three End Gables

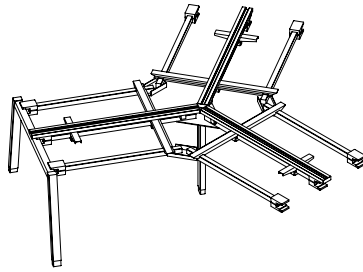
Used when no additional Frames are required.

120° frame basics (continued)

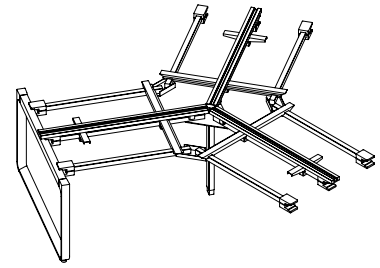
120° Frame with One End Gable



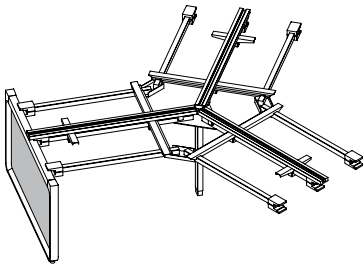
One End Gable – Straight



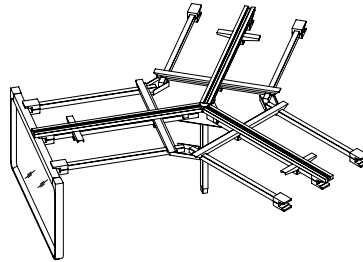
One End Gable – Angled



One End Gable – Curve Open

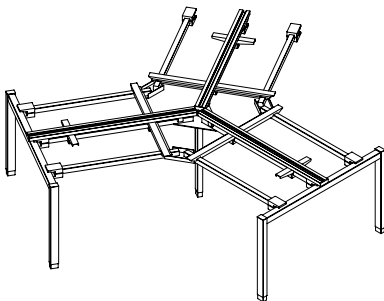


One End Gable – Curve Solid

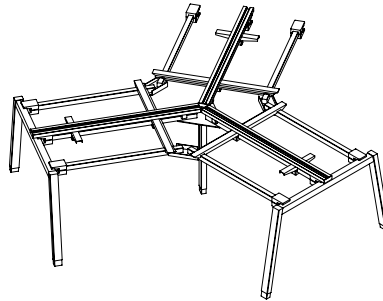


One End Gable – Curve Glass

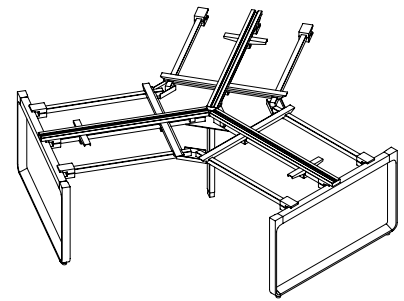
120° Frame with Two End Gables



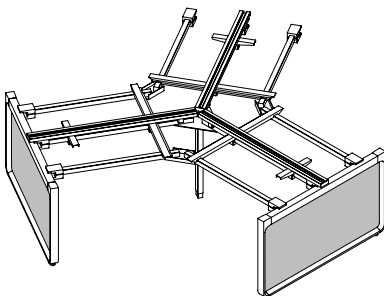
Two End Gables – Straight



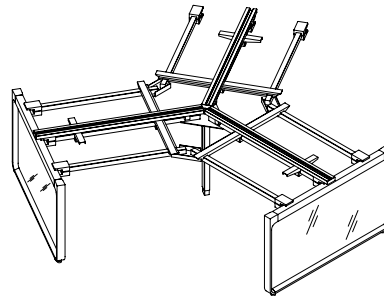
Two End Gables – Angled



Two End Gables – Curve Open



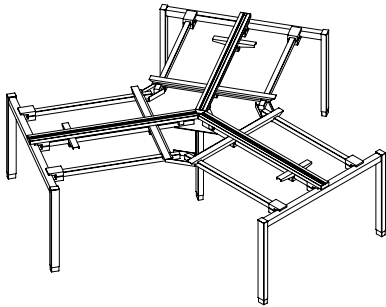
Two End Gables – Curve Solid



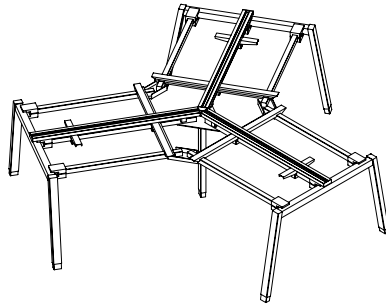
Two End Gables – Curve Glass

120° frame basics (continued)

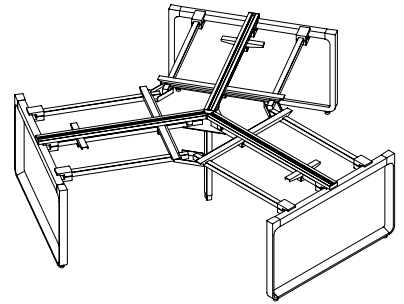
120° Frame with Three End Gables



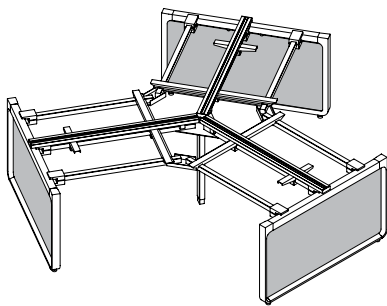
Three End Gables – Straight



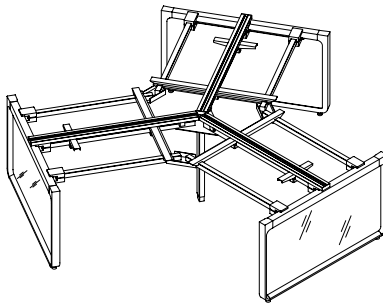
Three End Gables – Angled



Three End Gables – Curve Open



Three End Gables – Curve Solid

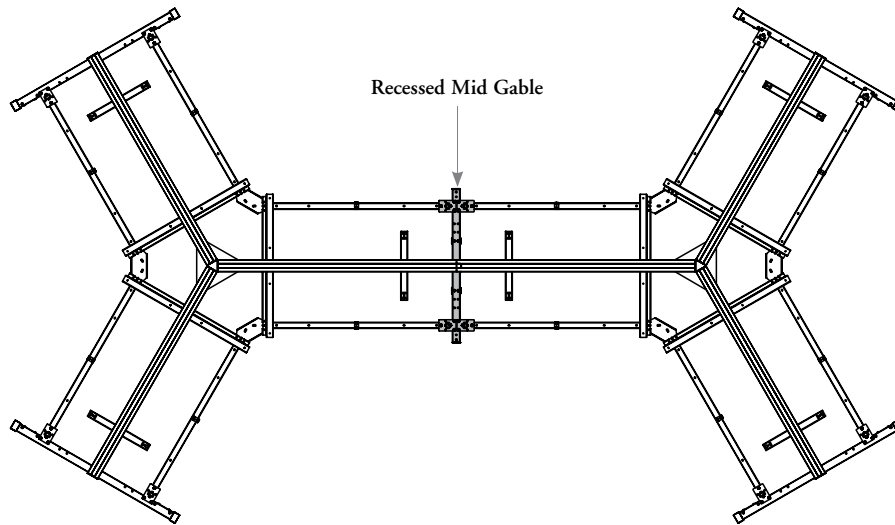


Three End Gables – Curve Glass

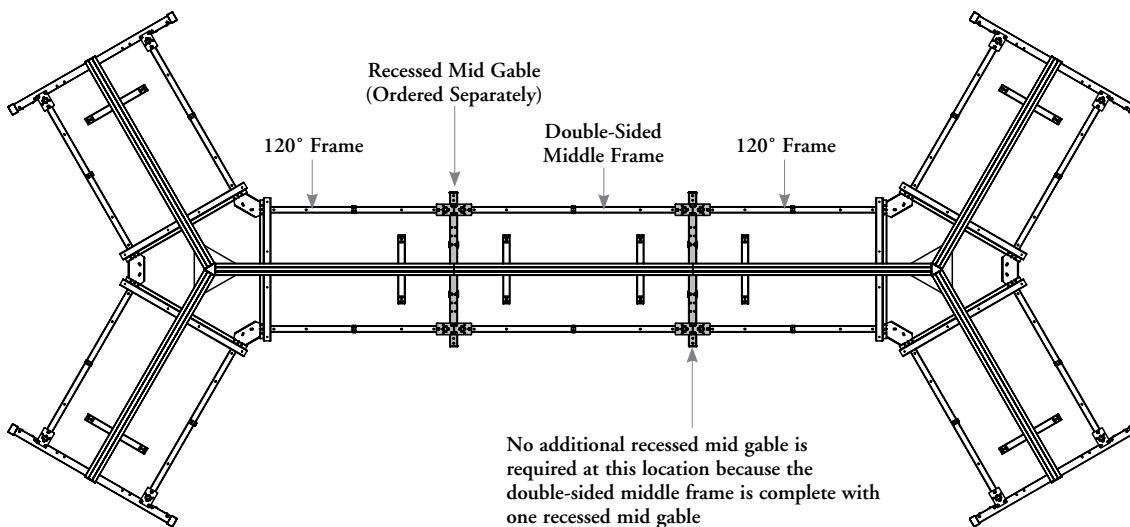
planning with 120° frames

The following should be considered when planning with 120° Frames.

- 120° Frames can be integrated with double-sided beginning, middle and finish frames or other 120° frames to create larger configurations and are connected by recessed mid gables
- The Recessed Mid Gable legs are always straight and inset 16" from the user side to allow clearance for users seated close to it



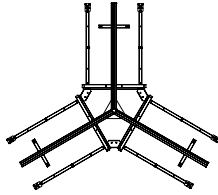
Recessed Mid Gable used to connect two 120° Frames together.



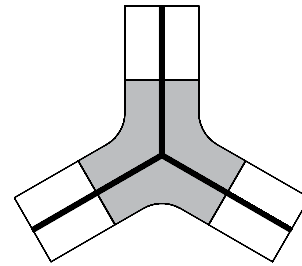
One Recessed Mid Gable used to connect a 120° Frames to a Double-Sided Middle Frame.

planning with 120° frames (continued)

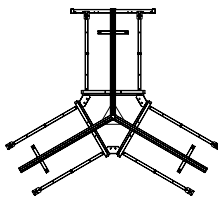
A variety of 120° configurations can be achieved depending on the gable configuration chosen (one, two or three end gables).



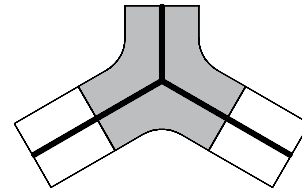
120° Frame with no End Gables.



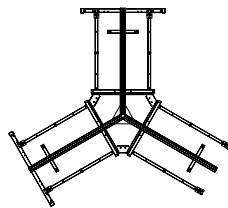
One 120° Frame, no End Gable with three Double-Sided Beginning Frames or three Double-Sided Finish Frames and Recessed End Gables.



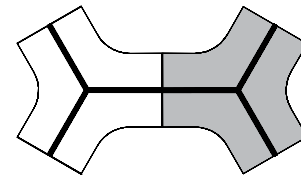
120° Frame with one End Gable.



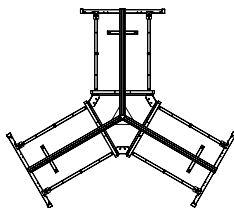
One 120° Frame, one End Gable with two Beginning Frames or two Double-Sided Finish Frames and two Recessed End Gable.



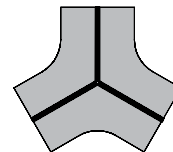
120° Frame with two End Gables.



Two 120° Frames with two End Gables with one Recessed Mid Gable.



120° Frame with three End Gables.

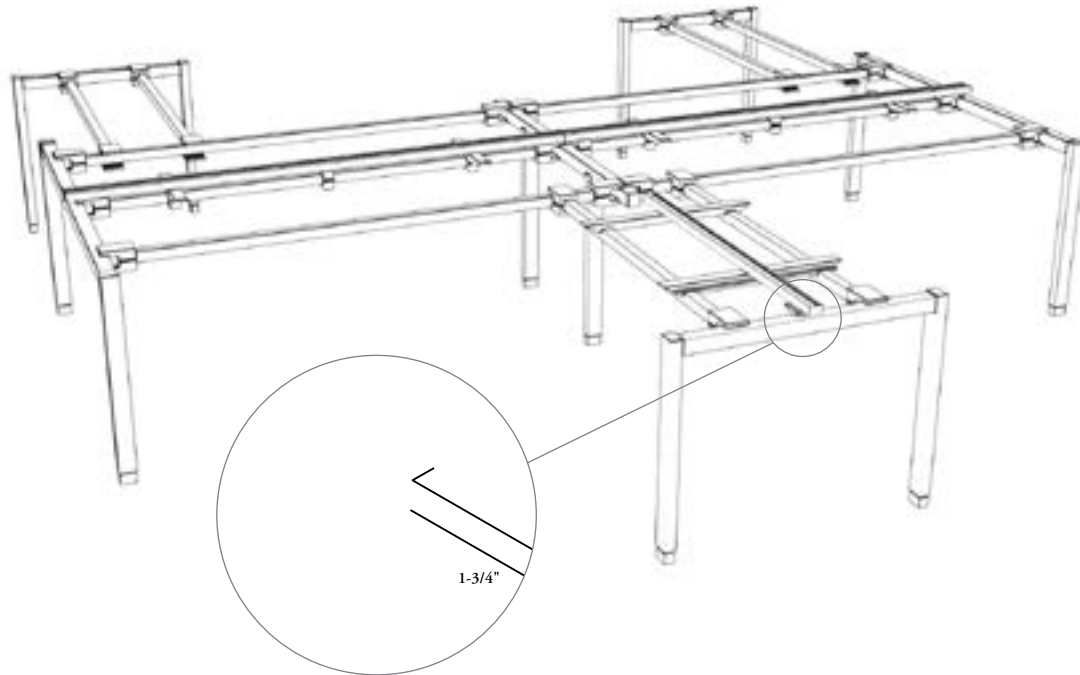


One 120° Frame, three End Gables.

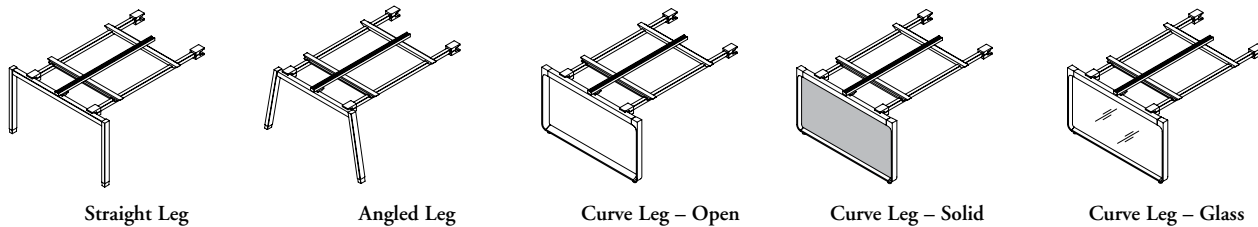
return frame basics

Return Frames are used when secondary worksurfaces are required. Configurations are available to attach to Single-Sided and Double-Sided Spine Frames and include returns for one or two worksurfaces. Return Frames do not attach to 120° Frames.

Return Frame for Two Worksurfaces



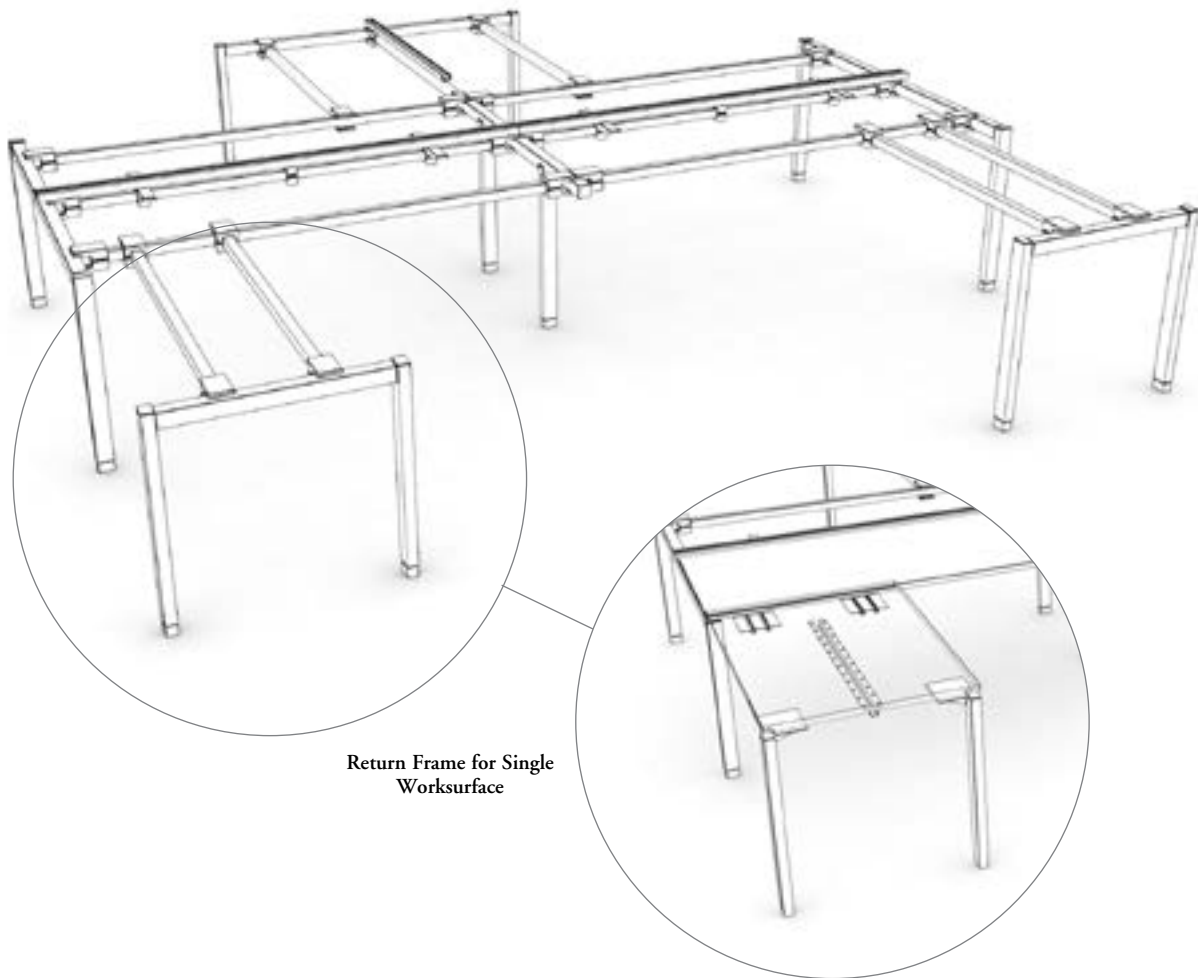
A 1-3/4" wide Thin Accessory Beam runs along the center of the frame and supports screens but does **not** support spine mounted overheads or MAST Monitor Arms.



Return Frame for Two Worksurfaces (WWSRD)

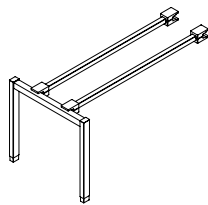
- Consists of one End Gable, support beams and a Thin Accessory Beam for mounting screens
- Provides a return for two worksurfaces with a thin accessory beam between worksurfaces
- Depths include 36", 48" & 60" to accommodate two 18", 24" or 30" worksurfaces
- Widths include 24" - 72" in 6" increments (widths are nominal and indicate the width the unit extends beyond the bench worksurface), the actual dimension is 9" deeper to allow it to clamp to the Spine Frame
- Three End Gable leg styles are available, Straight, Angled and Curve (the 18" depth is **not** available Angled or Curve)
- Spine Mounted Storage **cannot** be mounted onto the Thin Accessory Beam
- Frames have a 2" nominal leveling range, 1" below and 1" above
- Frame is structural and can support End Mounted Storage or Suspended Storage in single or back-to-back applications

return frame basics (continued)

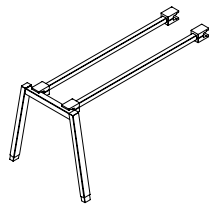


Return Frame for Single
Workspace

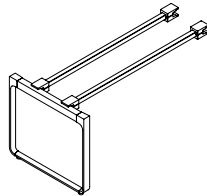
Return worksurfaces can also be added by using Return Worksurfaces (WWWRR_) and related supports, see page 60. Can be specified as an alternative to a Return Frame.



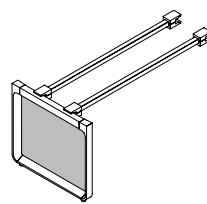
Straight Leg



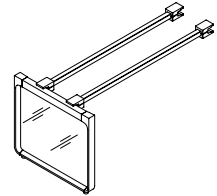
Angled Leg



Curve Leg - Open



Curve Leg - Solid



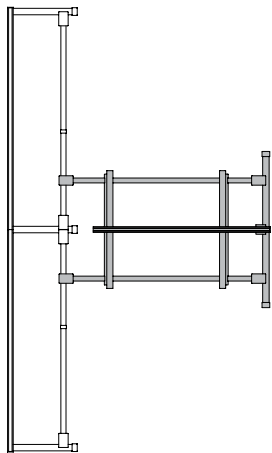
Curve Leg - Glass

Return Frame for Single Workspace (WWSRS)

- Provides a return for a single workspace
- Consists of one end leg gable, and support beams but does **not** have an Accessory Beam
- Depths include 18", 24", 30", 36", 42" & 48"
- Widths include 24" - 72" in 6" increments (widths are nominal and indicate the width of the Return Workspace it supports), the actual dimension is 9" deeper to allow it to clamp to the Spine Frame
- Three End Gable leg styles are available, Straight, Angled and Curve (the 18" depth is **not** available Angled or Curve)
- Return Frames are structural and can support suspended storage in a single-sided application (24" depth minimum)
- Frames have a 2" nominal leveling range, 1" below and 1" above

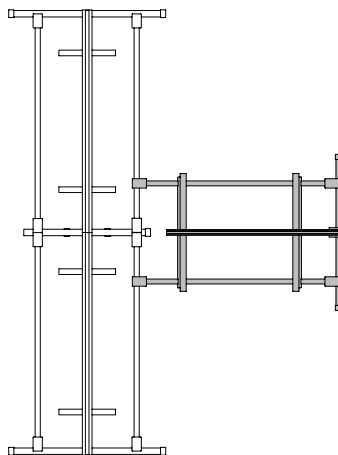
planning with return frames

The following should be considered when planning with Return Frames.



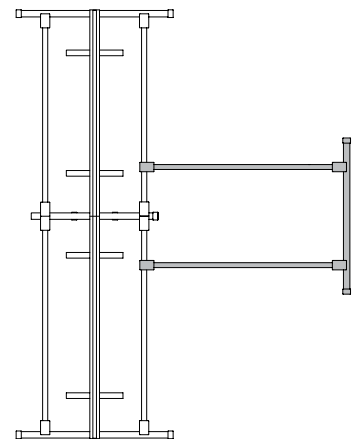
Return Frame for Two Worksurfaces, to attach to a Single-Sided Frame (WWSRDU)

Must be on-module and **cannot** be used with the Accommodation Kit (WWSLK).



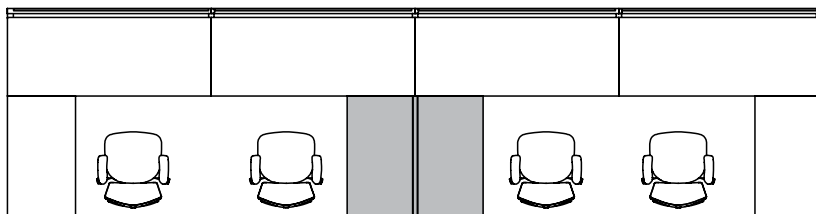
Return Frame for Two Worksurfaces, to attach to a Double-Sided Frame (WWSRDU)

Must be on-module and **cannot** be used with the Accommodation Kit (WWSLK).



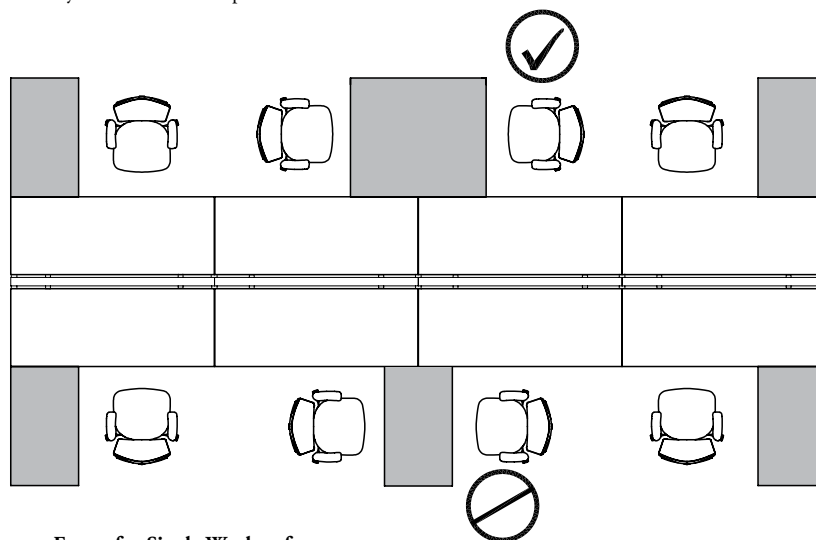
Return Frame for Single Worksurfaces (WWSRS)

Can be either on-module or off-module and **cannot** be used with the Accommodation Kit (WWSLK).



Return Frame for Two Worksurfaces

- Used to provide a return with two worksurfaces on a Single-Sided or Double-Sided Bench configuration (single-sided spine frame shown)
- When specifying this return frame, the option of Single-Sided or Double-Sided Frame must be chosen because each frame type has a different mounting style and are **not** interchangeable
- Can only be mounted to a spine frame on-module

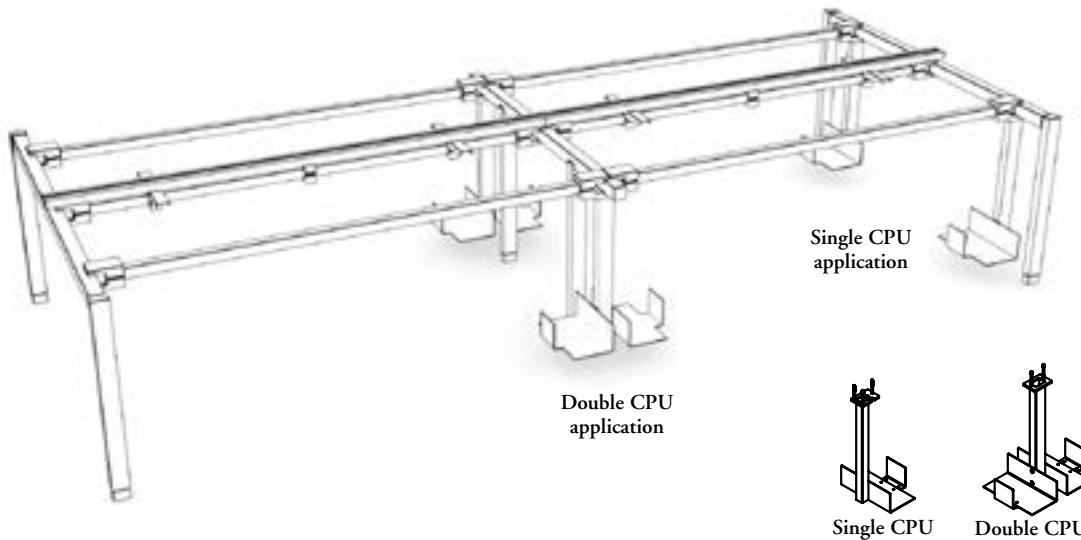


Return Frame for Single Worksurface

- Used to provide a return with one worksurface on a single-sided or double-sided bench configuration (double-sided spine frame shown)
- Worksurface connects perpendicular to the spine frame structure anywhere along a spine frame, on-module or off-module
- In an on-module connection where a shared single return worksurface overlaps two primary worksurfaces, a 24" deep frame and worksurface **cannot** be used as it interferes with the beam clamp connection
- Can be used by one or two users

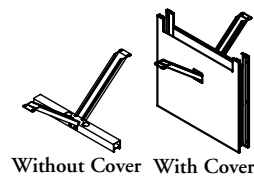
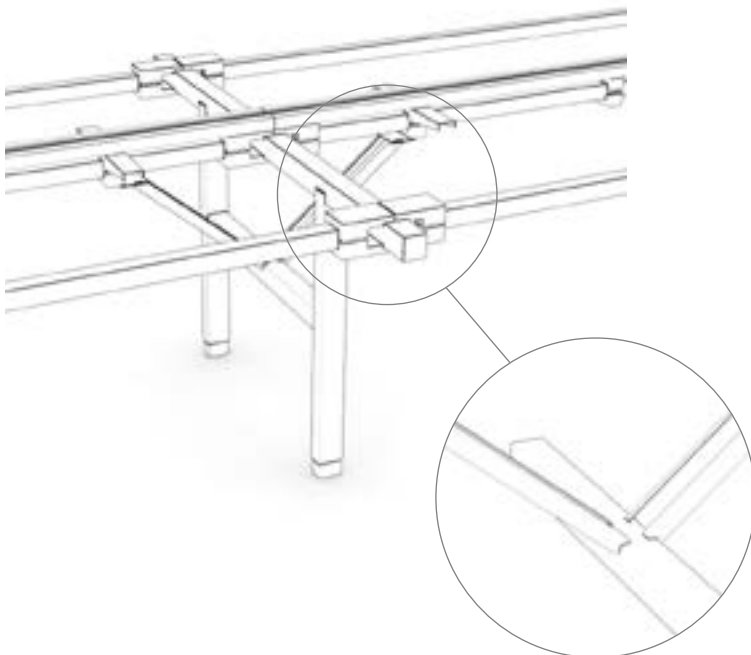
cpu holder & recessed reinforcement bracket basics

Interpret offers CPU Holder options to add functionality to workstations.



- CPU Holder (WWSCP)**
- Attaches to the beam structure to support a CPU
 - Available for single or double CPU applications
 - These are the only CPU Holders that can be used with Sliding Worksurfaces
 - **Cannot** be used with the Accommodation Kit (WWSLK)

Interpret offers Recessed Mid Gable Reinforcement Brackets to reduce reverberation in extreme cases on Double-Sided Frames.



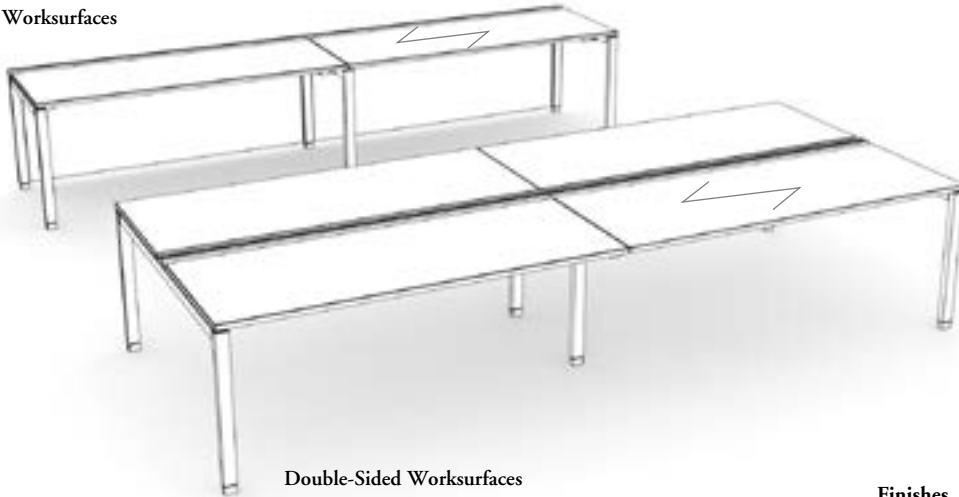
- Recessed Mid Gable Reinforcement Bracket (WWSMG)**
- Used to reduce reverberation in extreme cases on Double-Sided Benches with extensive mounted storage or long lengths
 - For use on Double-Sided Bench only
 - Spans across both sides of an Recessed Mid Gable
 - Can be retrofitted to an existing bench, please contact Teknion Customer Service to determine if Mid Gable Reinforcement is required
 - Can be specified with or without a cover

There are Cut Outs on the horizontal bar of the Mid Gable Reinforcement Bracket that allows a Base Feed or communication/data cables to pass through.

single-sided & double-sided worksurface basics

Worksurfaces mount to Single-Sided or Double-Sided Frames. Various levels of power accessibility are available through the choice of worksurface.

Single-Sided Worksurfaces



Double-Sided Worksurfaces

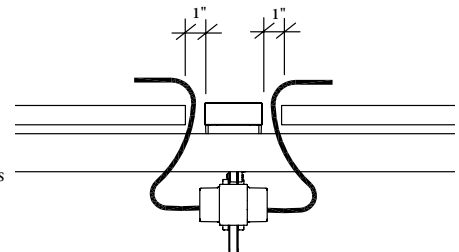
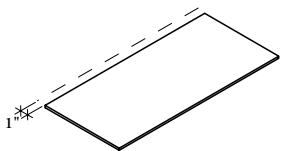
Finishes

Worksurfaces are available in Source Laminate, Foundation Laminate, Seamless Color and Flintwood.

↔ indicates grain direction

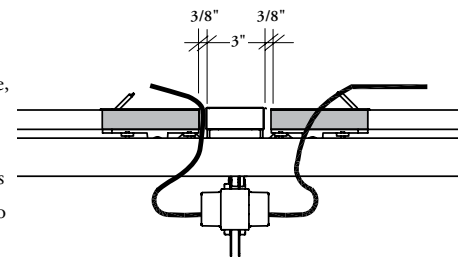
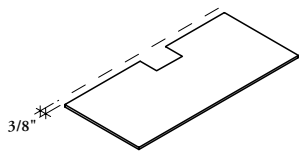
Wire Gap Worksurface (WWWRW) (shown above)

- Available for Single-Sided and Double-Sided Frames and features a 1" wire gap along the back edge of the worksurface to allow cables to pass through to the frame structure below
- Power outlets must be accessed from below the surface
- Available in 24", 30" & 36" depths and 48"- 96" widths in 6" increments
- Individually assigned heights can be set using Height-Adjustable Cantilevers, Pucks and Bolt Kits (For further details, please see page 63)



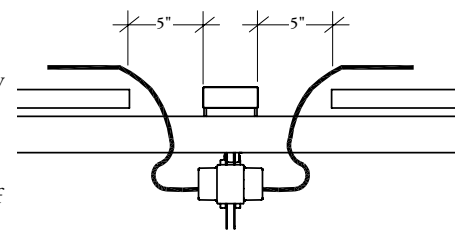
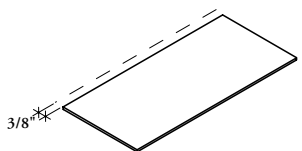
Power Cut Out Worksurface (WWWRP)

- Available for Single-Sided and Double-Sided Frames and features a 12" wide x 5" deep power Cut Out at the center of the worksurface back edge, to provide access to the power outlets mounted below the surface
- A Power Access Door must be added and is ordered separately
- Available in 24", 30" & 36" depths and 48"- 96" widths in 6" increments
- A 3/8" gap will remain between the worksurface and the Accessory Rail to allow wires to be managed along the entire back edge of the worksurface



Sliding Worksurface (WWWRS)

- Available for Single-Sided and Double-Sided Frames and slides forward 5" to allows full access to the power outlets mounted below the surface by sliding forward 5"
- Available in 24" & 30" depths and 48"- 84" widths in 6" increments
- When closed, a 3/8" gap will remain between the worksurface and the Accessory Rail to allow wires to be managed along the entire back edge of the worksurface
- **Cannot** be used with the Accommodation Kit (WWSLK) or Keyboard Trays

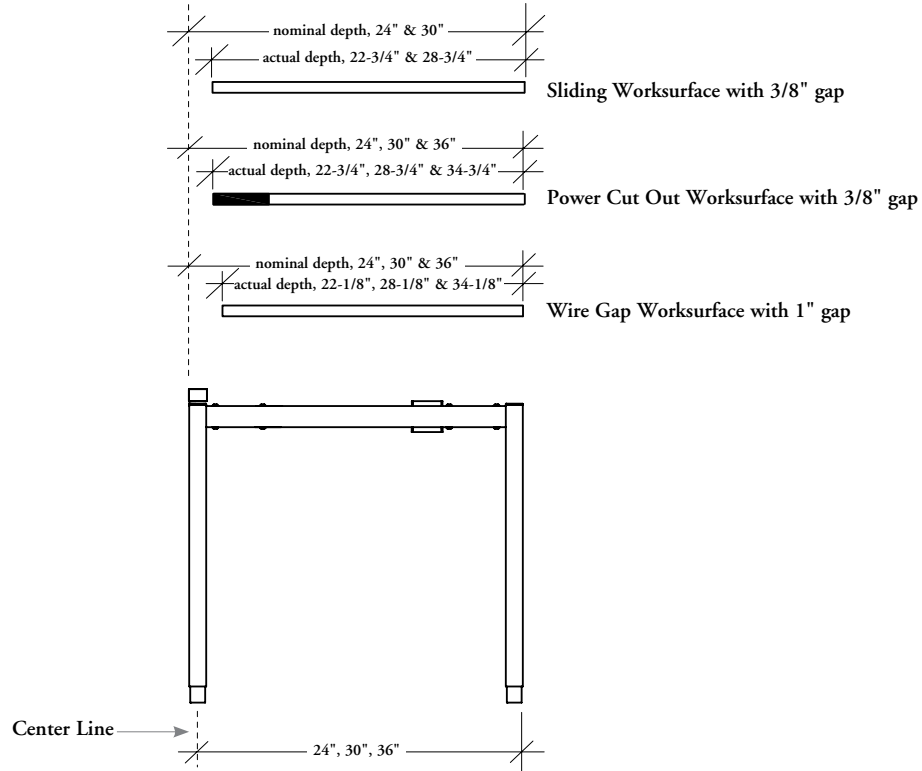


planning with single-sided & double-sided worksurfaces

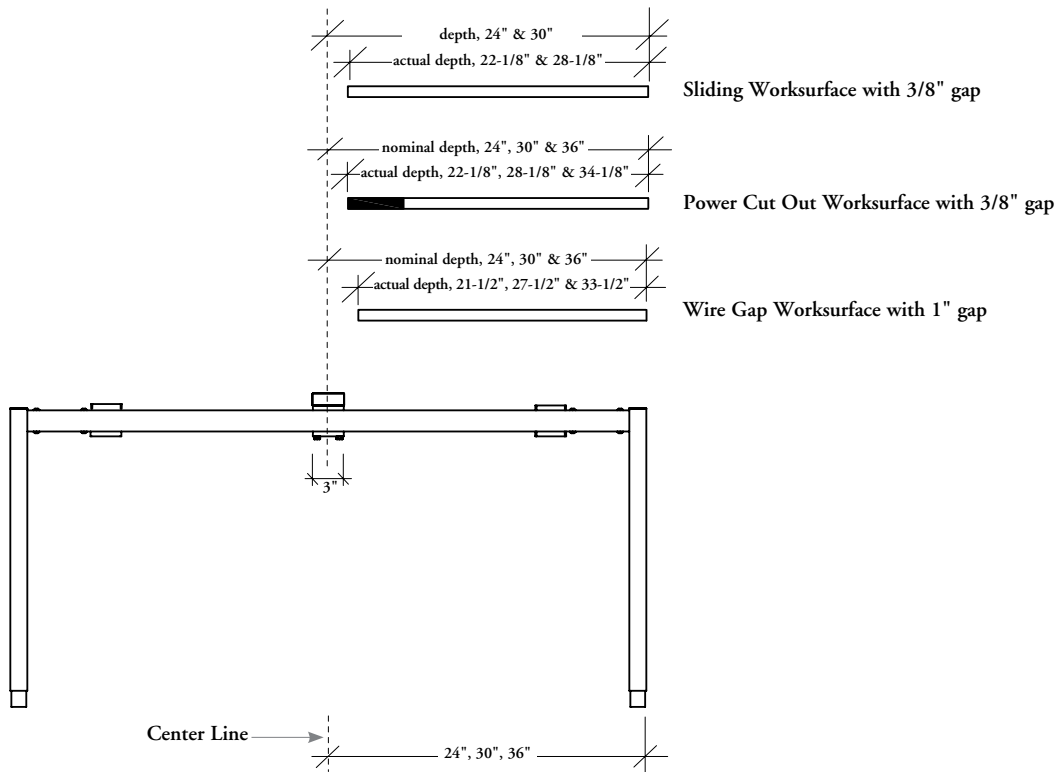
The following should be considered when planning with single-sided and double-sided worksurfaces.

Worksurface depths are nominal, the actual depth of worksurfaces for Single-Sided and Double-Sided Frames vary depending on which worksurface type is selected.

Single-Sided Worksurface

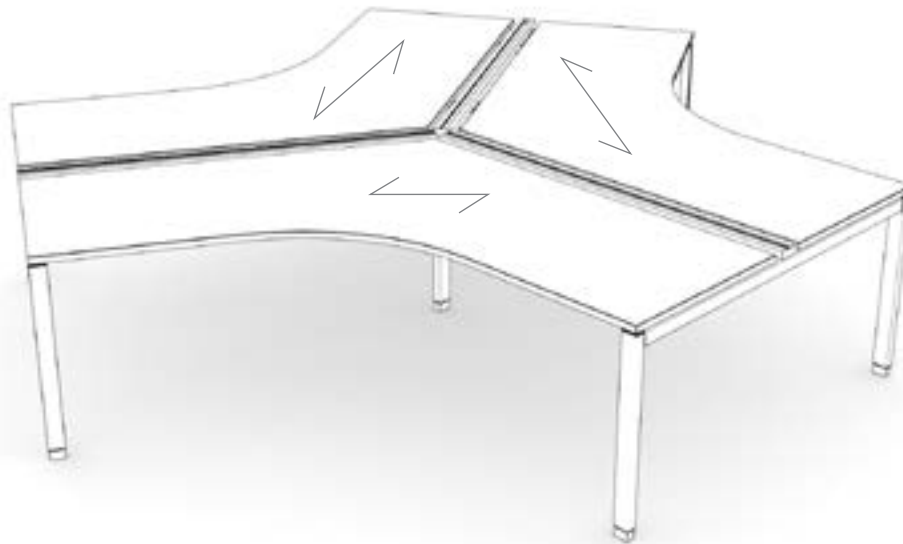


Double-Sided Worksurface



120° worksurface basics

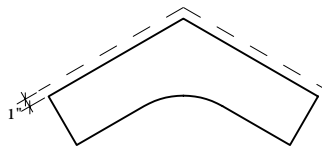
120° Worksurfaces mounted to Double-Sided 120° Frames. Various levels of power accessibility are available through the choice of worksurface.



Finishes

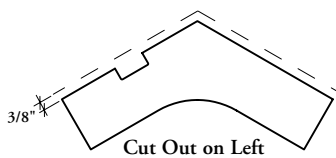
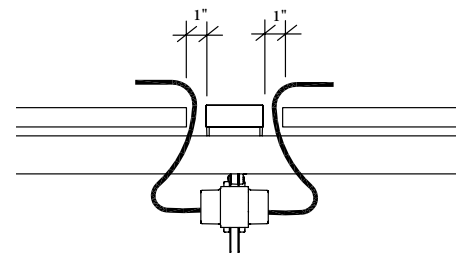
Worksurfaces are available in Source Laminate, Foundation Laminate, Seamless Color and Flintwood.

↔ indicates grain direction



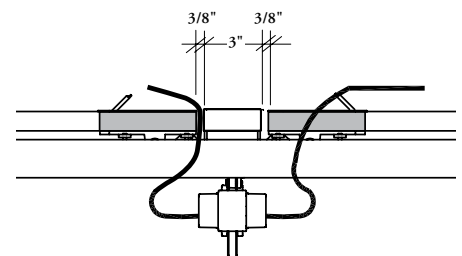
120° Wire Gap Worksurface (WWWIW) (shown above)

- Features a 1" wire gap along the back edge of the worksurface to allow cables to pass through to the frame structure below
- Power outlets must be accessed from below the surface
- Available in 24" & 30" depths and 48", 54" & 60" widths

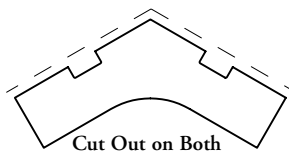


120° Power Cut Out Worksurface (WWWIC)

- Features a 12" wide x 5" deep power Cut Out on the left, right or both sides of the worksurface back edge to provide access to the power outlets mounted below the worksurface
- Power Access Doors are required and must be ordered separately
- A 3/8" gap will remain to allow wires to be managed along the back edge of the worksurface
- Available in 24" & 30" depths and 48", 54" & 60"



Cut Out on Right



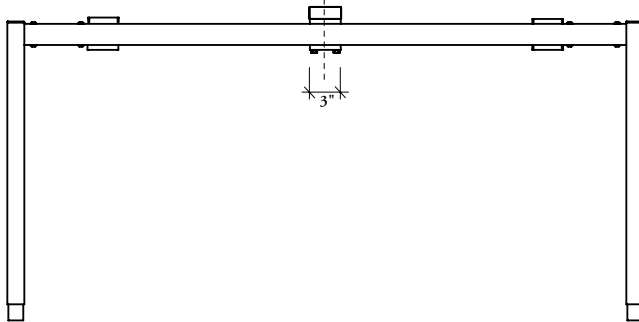
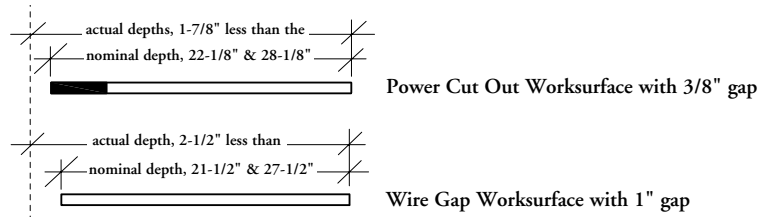
Cut Out on Both

planning with 120° worksurfaces

The following should be considered when planning with 120° Worksurfaces.

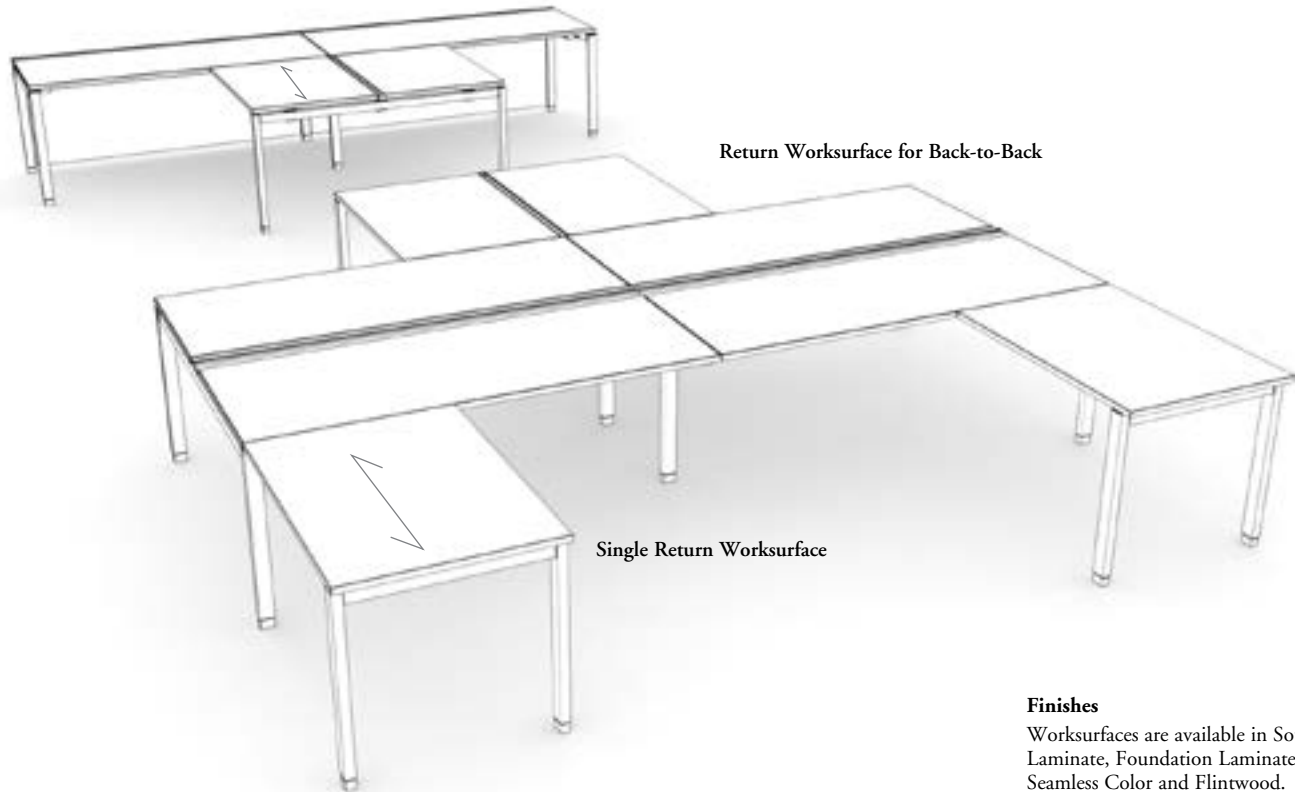
Worksurface depths are nominal, the actual depth of worksurfaces for 120° Frames vary depending on which worksurface type is selected.

120° Worksurface



return workspace basics

Return Worksurfaces mount onto Return Frames in Single or Back-to-Back configurations and can be used on Single-Sided or Double-Sided Frame configurations.



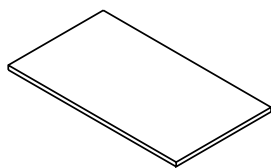
Return Workspace for Back-to-Back

Single Return Workspace

Finishes

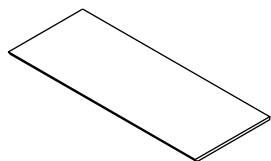
Worksurfaces are available in Source Laminate, Foundation Laminate, Seamless Color and Flintwood.

↔ indicates grain direction



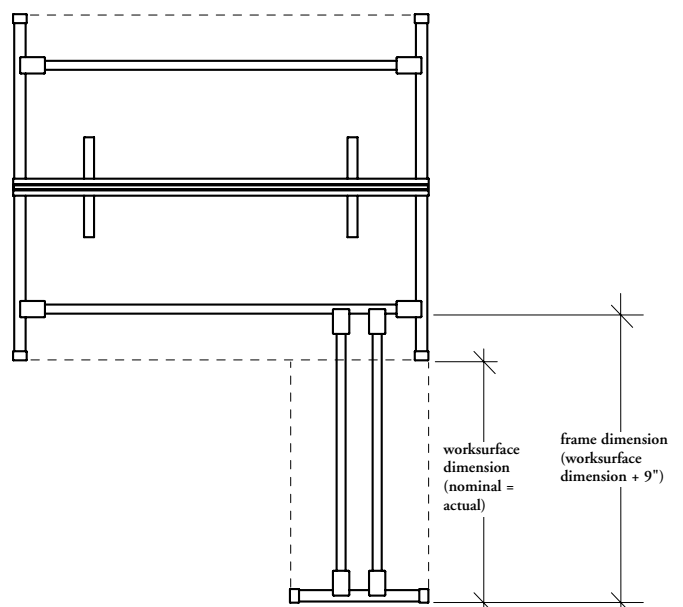
Single Return Workspace (WWRRS)

- Used with the Return Frame for Single Workspace (WWSRS) only
- Depths include 18" - 48" in 6" increments, allowing the return to be used by one person or shared between two users
- Widths include 24" - 72" in 6" increments



Return Workspace for Back-to-Back (WWRRB)

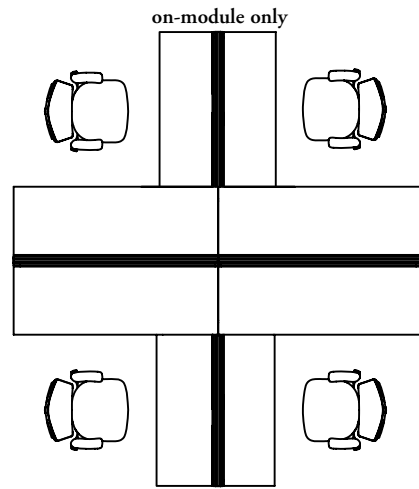
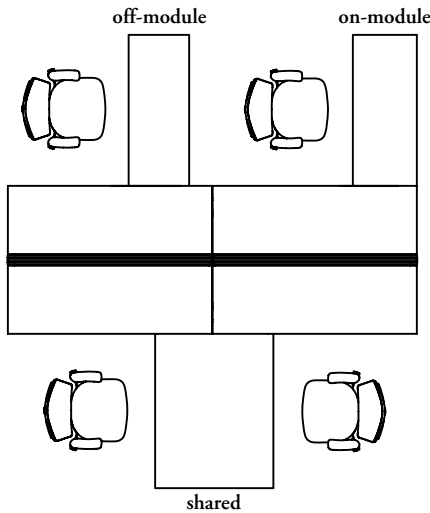
- Is a return workspace for the Return Frame for Two Worksurfaces only
- Depths include 18", 24" & 30" and widths include 24" - 72" in 6" increments
- Two surfaces must be specified for each Return Frame



- Return Frames connect to the front support beam on the Double-Sided or Single-Sided Spine Frame
- Return Frames are deeper than the actual workspace that they support
- Frame dimensions are nominal, workspace dimensions are actual

planning with return worksurfaces

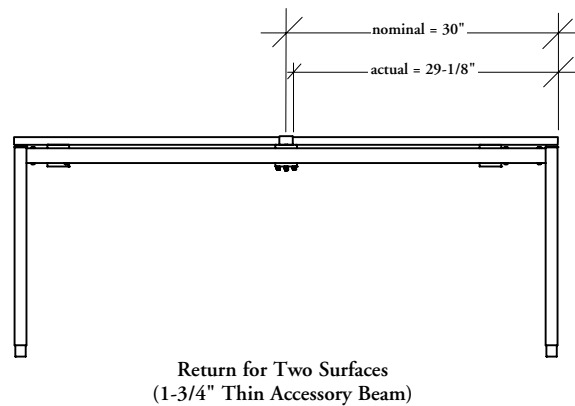
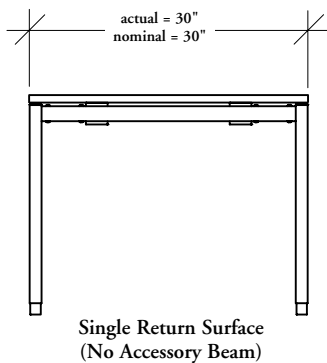
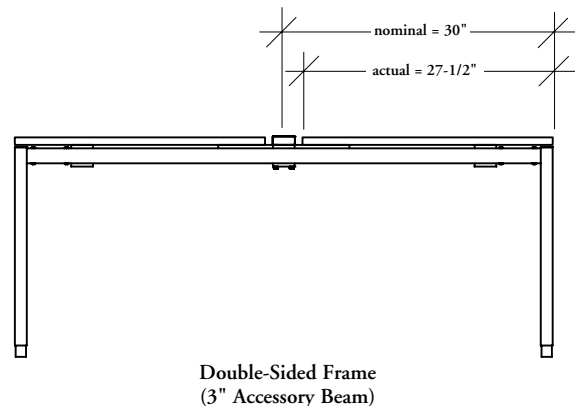
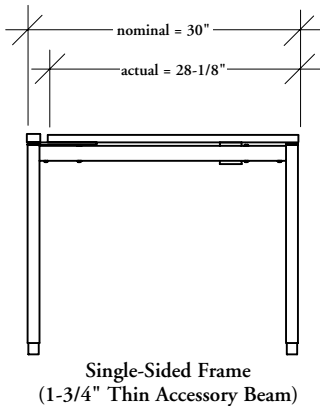
The following should be considered when planning with worksurfaces.



Single Return Worksurfaces can be used as a single return for one person, or shared between two people when no face-to-face space division is required.

Return Worksurfaces for Back-to-Back are used between two people when screens or face-to-face space division is required.

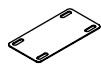
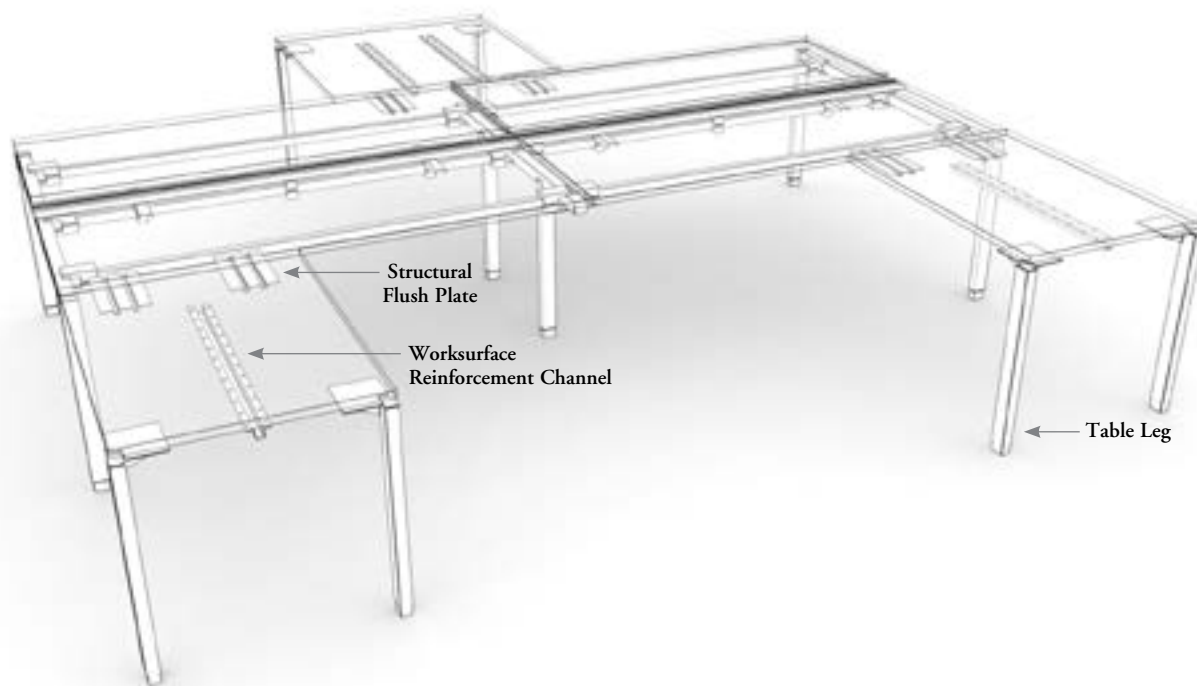
Although the same nominal depth of worksurfaces are available for Single-Sided & Double-Sided Frames. Single Returns and Returns for Two Worksurfaces, the worksurfaces are **not** interchangeable. The frame depths and Accessory Rail sizes vary, so the actual dimensions are different. The following examples use a 30" deep nominal worksurface with a 1" wire gap and applies it to all frame types.



return worksurface support basics

Return Worksurfaces can be mounted to a single- or double-sided frame mounted worksurface to provide a more economical workstation solution.

60



Flush Plate (WWSFP)

- Used only to align worksurfaces, does not provide structure

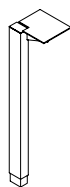
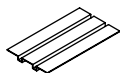


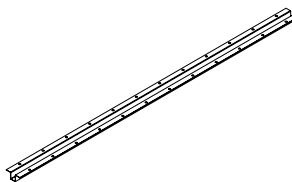
Table Leg (WWSWN)

- Used at the end of a return worksurface in semi-suspended applications
- Available Left or Right and Standard
- Height-Adjustable leg has range of 6" (3" above and 3" below)
- Standard leg has leveling range of 2" (1" above and 1" below)



Structural Flush Plate (WWSSP)

- Used to attach and align worksurfaces



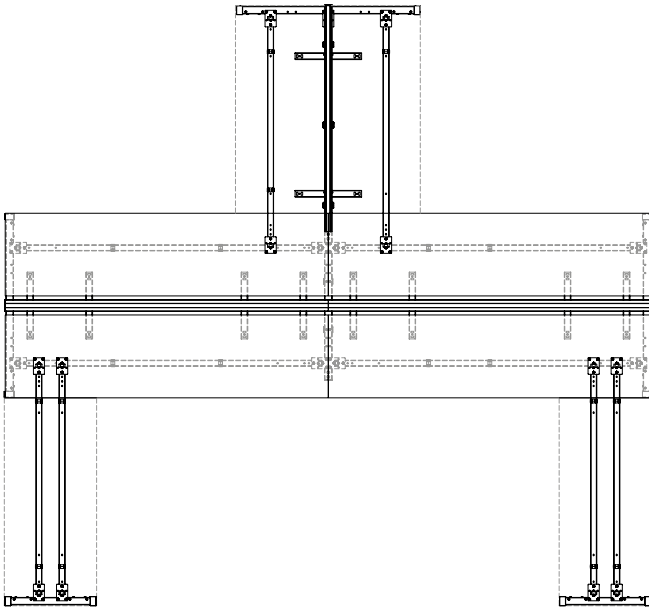
Worksurface Reinforcement Channel (UNRC)

- Adds rigidity to worksurface to reduce deflection in the worksurface
- Required for all worksurfaces with an unsupported span over 48"
- Two supports are required on worksurfaces with a depth of 36" or greater
- Available in lengths of 36" - 96" in 6" increments

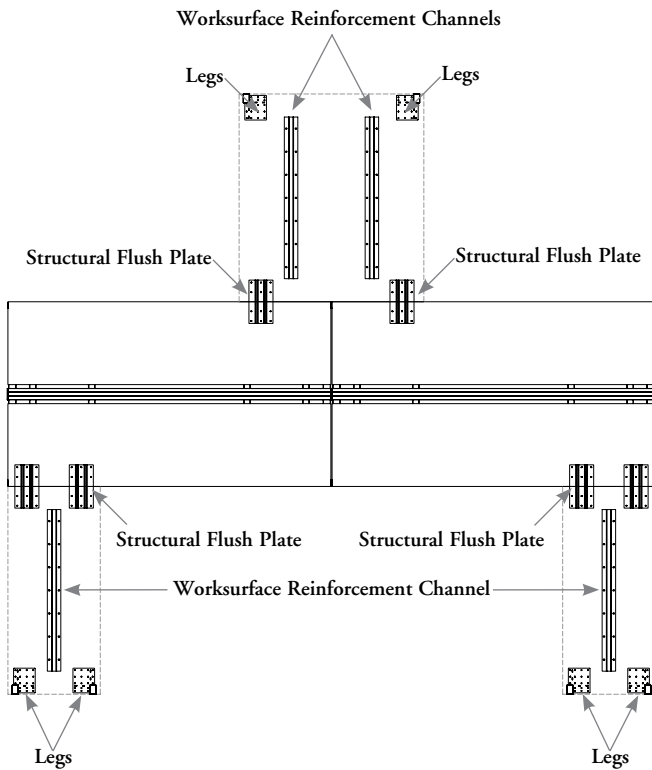
planning with return worksurface supports

A return worksurface can be created with a Return Frame or with a semi-suspended return worksurface and supports.

Return Worksurface Frame

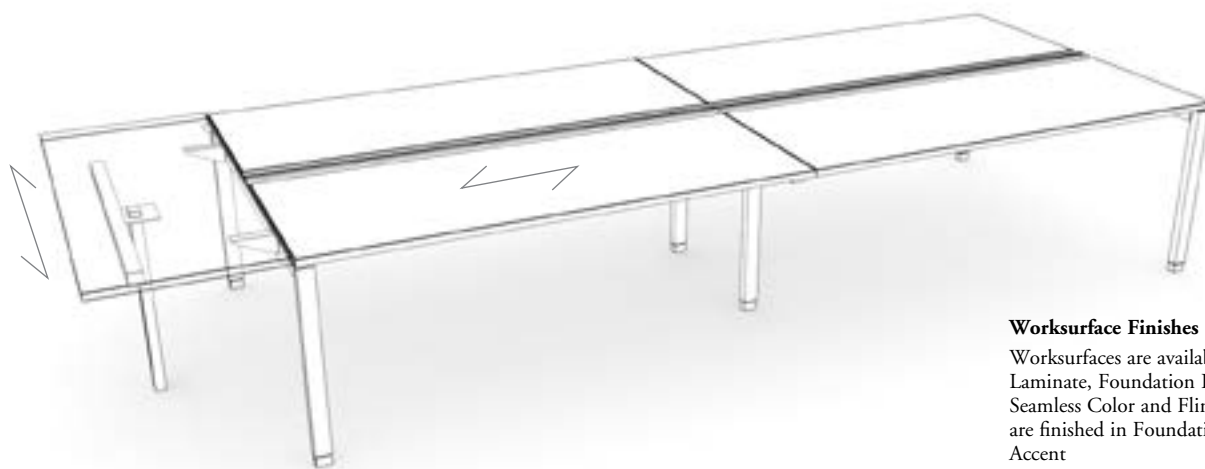


Return Worksurface Support



peninsula worksurface basics

Peninsula Worksurfaces provide meeting space at the end of a bench or a worksurface for End Mounted Storage. A Peninsula Worksurface Support Kit is required when the worksurface is used as a meeting surface.

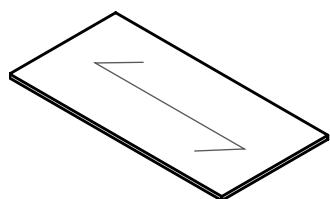


Worksurface Finishes

Worksurfaces are available in Source Laminate, Foundation Laminate, Seamless Color and Flintwood. Legs are finished in Foundation, Mica & Accent

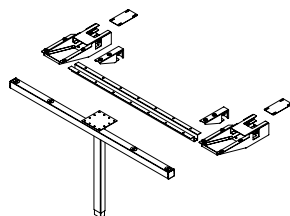
↔ indicates grain direction

The grain direction of peninsula worksurfaces runs opposite to the grain direction of the worksurface



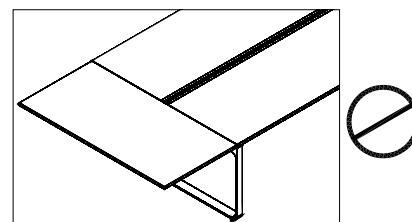
Peninsula Worksurface (WWWRL)

- Available 16", 18", 24", & 30" deep
- The 16" deep surface is only for use as a top for Below Worksurface End Mounted Storage, and all other depths are for use as a meeting surface and require a Peninsula Worksurface Support Kit (WWSPP)
- Used on Double-Sided Frames only

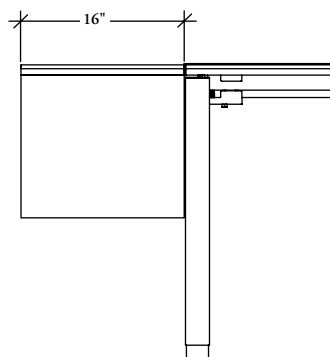


Peninsula Worksurface Support Kit (WWSPP)

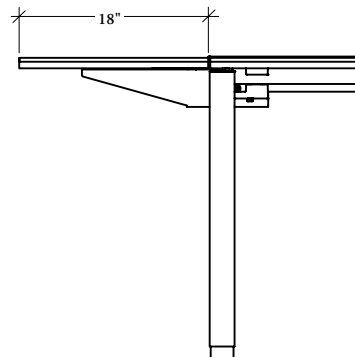
- Used with the Peninsula Worksurface (WWWRL) to provide support
- Includes brackets, necessary reinforcement tubes and a single support leg depending on size
- 16" and 18" depths **cannot** be applied with the Accommodation Kit (WWSKL)



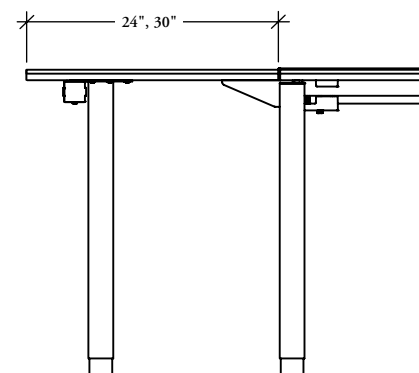
Peninsula work surfaces **cannot** be used with the Curve Leg.



The 16" deep peninsula requires no hardware kit. The hardware is provided with the storage.



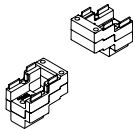
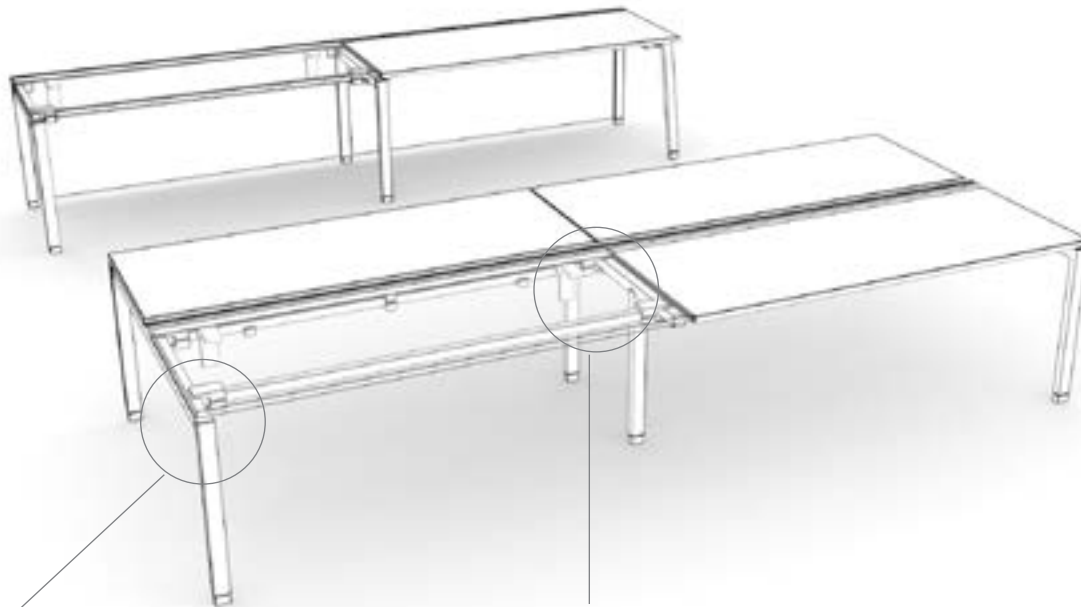
The 18" kit is complete with cantilever brackets.



The 24" & 30" complete with cantilever brackets, a reinforcement tube and a single centered leg.

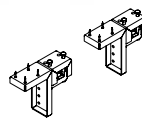
height-adjustable worksurface support basics

Worksurfaces mounts to the frame structure at 29" high. Height-Adjustable Pucks & Cantilevers allow worksurfaces to be adjusted from 29" to 32" high.



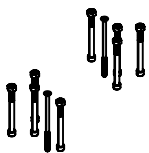
Height-Adjustable Pucks (WWSPK)

- Attach to the leg structure to raise the worksurface and front support beam to allow additional free clearance
- Each puck provides 1" of additional height
- Up to 3 Pucks can be stacked together
- Available in packages of 2 or 24
- Two Pucks are required to raise single worksurface 1"
- **Cannot** be used with Sliding Worksurfaces, Peninsula, Return Worksurfaces or Accommodation Kit (WWSKL)



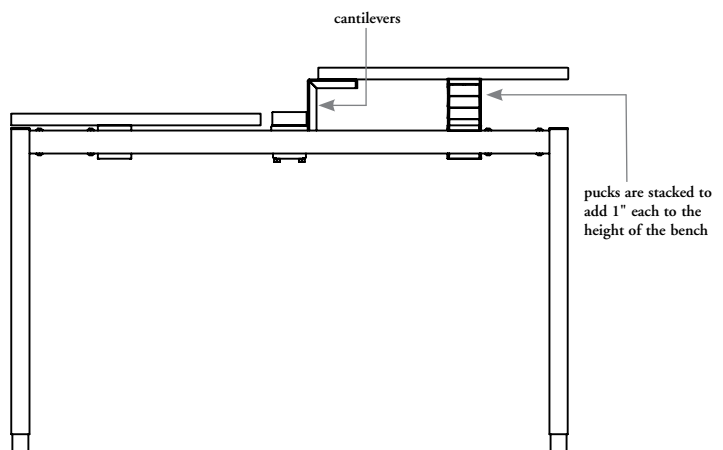
Height-Adjustable Cantilever (WWSCT)

- Attaches to the center support beam and the underside of the worksurface and is used in combination with the Height Adjustable Pucks to allow height adjustability
- Available in packages of 2 or 24
- Two or four are required for each worksurface depending on the width of the worksurface. Worksurfaces 60" or less require 2 brackets, worksurfaces 66" or wider require 4 brackets
- **Cannot** be used with Accommodation Kit (WWSKL)



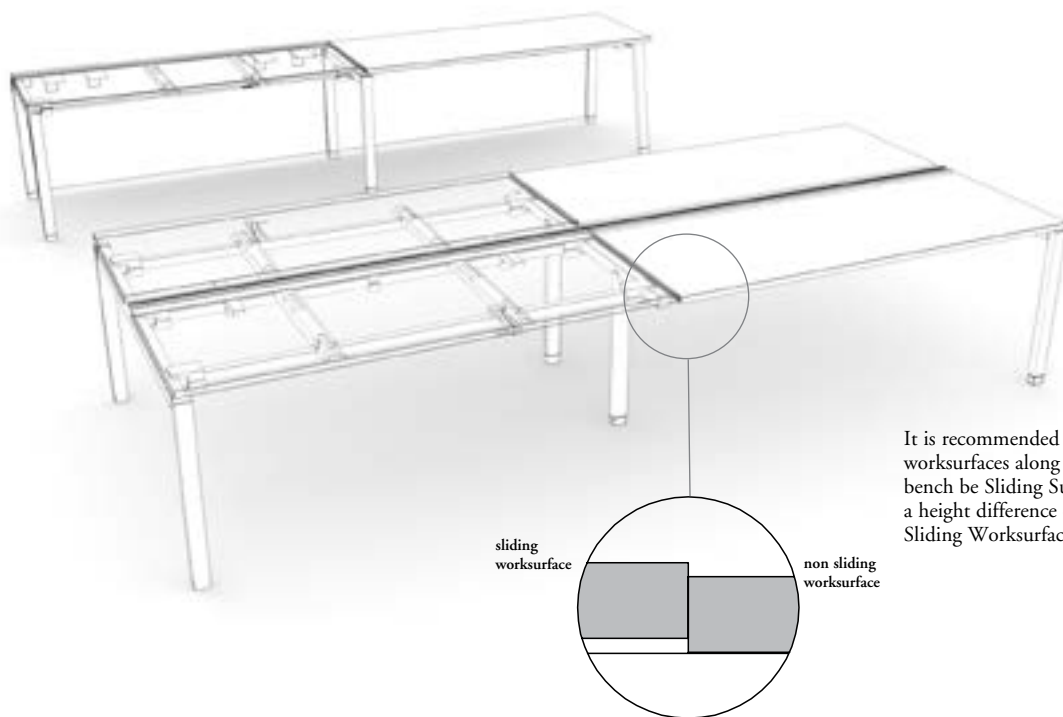
Bolt Kits (WWSBK)

- Secure the Height-Adjustable Pucks to the frame structure
- Are specified for 1", 2" or 3" heights
- Each kit contains 8 bolts, and two threaded rods for each specified height increment

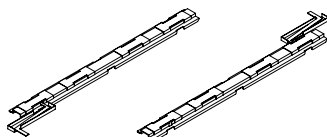
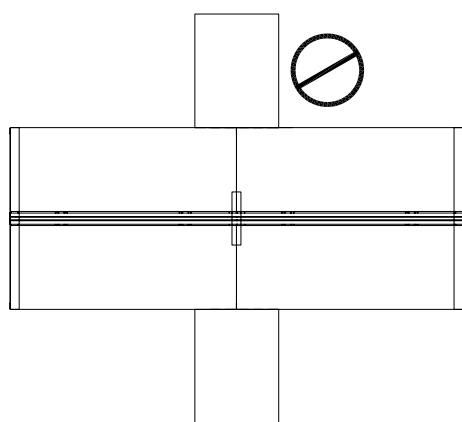


sliding worksurface support basics

Sliding Worksurfaces require a Sliding Worksurface Kit which allows the surfaces to slide out 5" for easy access to below worksurface power & data.

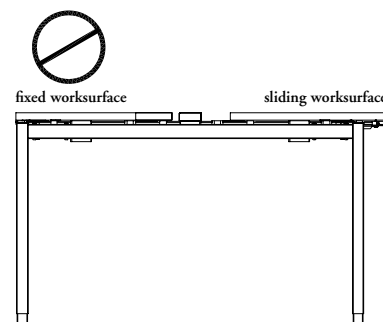


It is recommended that all worksurfaces along the length of a bench be Sliding Surfaces, to avoid a height difference created by the Sliding Worksurface Kit.

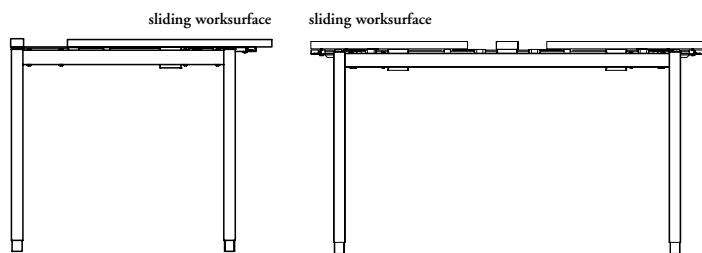


Sliding Worksurface Kit (WSSL)

- Provides the rails required for worksurfaces to slide
- Can only be used with the Sliding Worksurface (WWWRB)
- Available for 24" & 30" deep worksurfaces
- Finished in Foundation, Mica & Accent



Return worksurfaces **cannot** be used with sliding worksurfaces.



Single-Sided

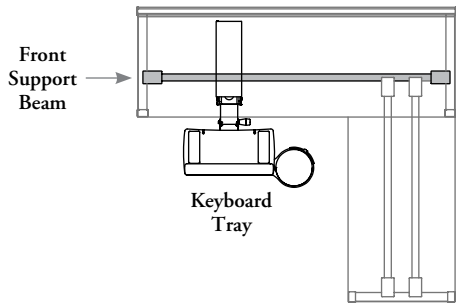
Double-Sided

Sliding Worksurface Kits are available for Single-Sided or Double-Sided Frames.

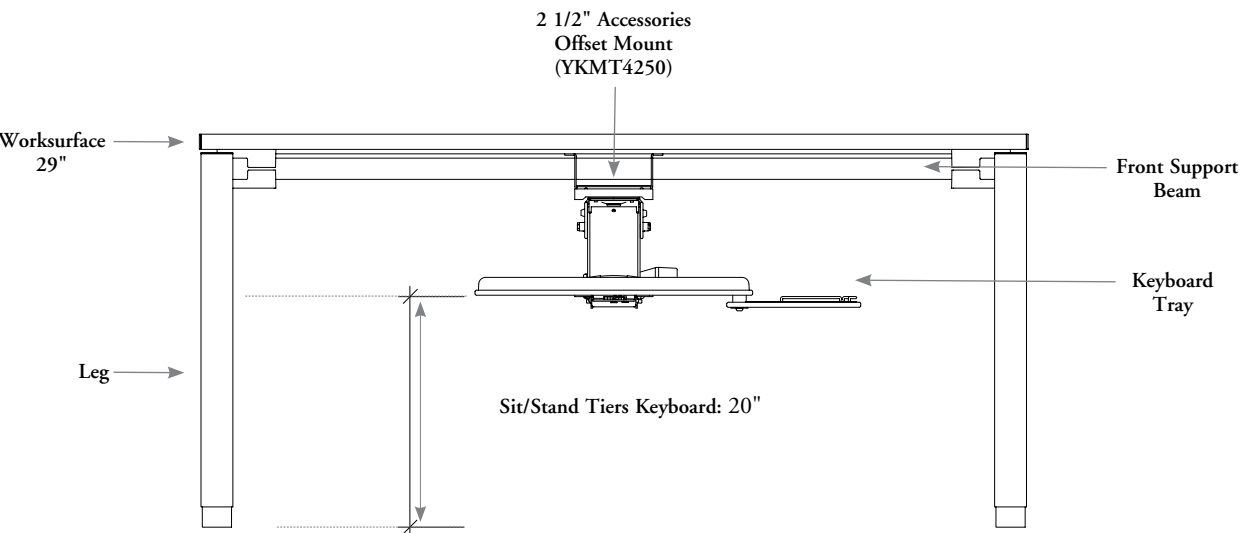
- When planning with Sliding Worksurfaces on Double-Sided Frames, both sides of the structure must have the sliding surface
- The Sliding Worksurface Kit (WSSL) spans across the full depth of the frame structure and is used on both surfaces
- A Single-Sided Sliding Kit **cannot** be used on one side only of a Double-Sided Frame

integrating keyboard trays

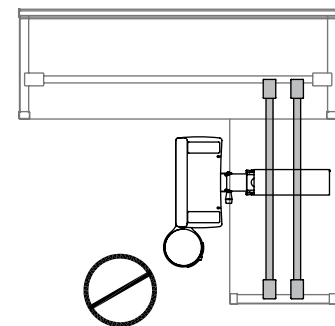
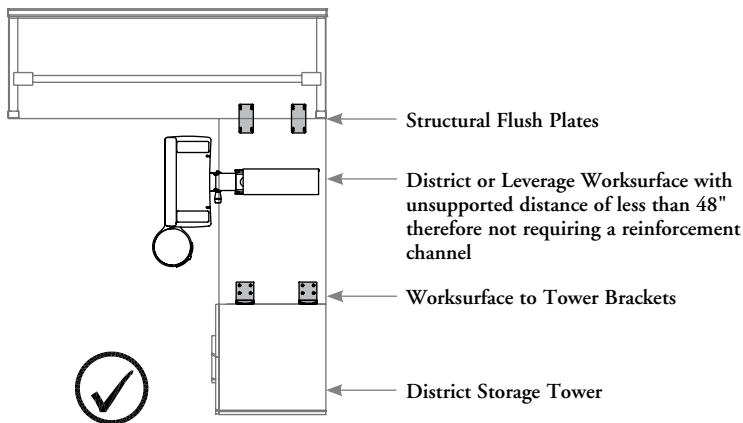
Keyboard Trays integrate with Interpret Benches and are available from Complements: *Teknion's Ergonomics & Accessories Program*. The following should be considered when planning with Keyboard Trays.



Careful attention is required when specifying keyboard trays due to the location of the front support beam which extends 2-1/2" below standard desk height.



Accessories Offset Mount (YKMT4250) (2-1/2" height) offset mount is required to mount Keyboard Trays and are Available from Complements: *Teknion's Ergonomics & Accessories Program*.



Keyboard Trays **cannot** be used with Return Worksurfaces.

An alternative to mounting the keyboard at 2-1/2" below a worksurface height is to specify a District or Leverage Worksurface as the return worksurface and support it with District storage or legs.

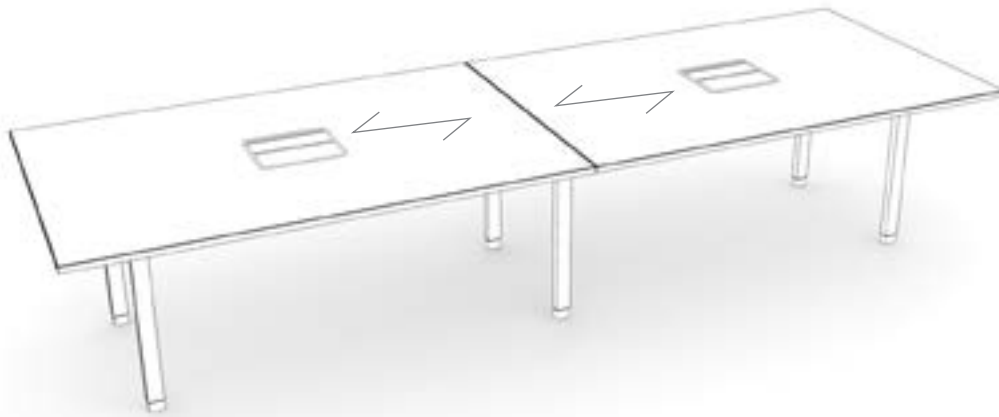
tables

tables

MEETING TABLE BASICS	68
PLANNING WITH MEETING TABLES	69
WORK TABLE BASICS	70
BEGINNING, MIDDLE AND FINISH WORK TABLE BASICS	71
PLANNING WITH WORK TABLES	72
PLANING WITH WORK TABLE COMPONENTS	73

meeting table basics

Interpret Meeting Tables provide meeting and team spaces that integrate aesthetically with Interpret benches, and are available with optional power access Cut Outs.



meeting table shown
(over 96" with two tops)

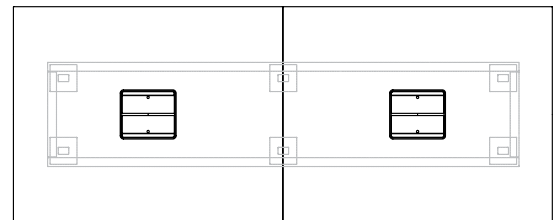
Finishes

- Source Laminate
- Foundation Laminate
- Seamless Color
- Flintwood

↔ indicates grain direction

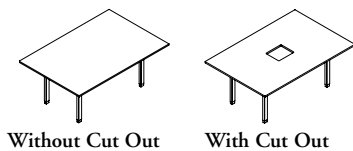
Book matching:

Woodgrain patterns will not book match across adjoining surfaces



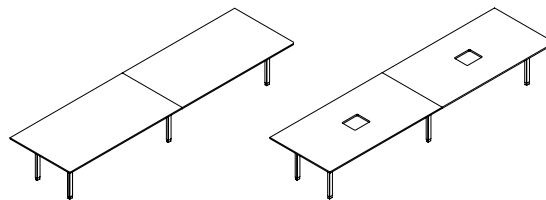
Plan View

48" - 96"



Without Cut Out With Cut Out

108" to 192"



Without Cut Out With Cut Out

Meeting Tables (WWTMT)

Interpret Meeting Tables match the aesthetic of the Interpret Bench with some variations

- Does not include an accessory beam
- Specified as one complete unit (worksurface and frame included)
- Legs are recessed 11" to provide more of a meeting table aesthetic
- Table tops are 1"

Leg Styles:

- Straight
- Angled
- Curved

Widths:

- 60" to 96" in 12" increments (will have one top)
- 108" to 192" in 12" increments (will have two tops)

Depths:

- 48", 54" and 60"d (Flintwood not available on 60" depth)

Height:

- 29"h.
- Leveling range +1"/-1"

Worksurfaces Edges:

- Knife edge (continuous)
- Flat edge

Cut Out Options:

- With Power
 - Double Access Doors and Table Power Modules must be specified separately
 - With CALA Cut Out (Interpret CALA Meeting Table Power (UBEP) must be ordered separately)
- Without Power

planning with meeting tables

The following should be considered when planning with Meeting Tables.

The following components **cannot** be used on an Interpret meeting table.

Suspended storage

-The frame structure is different than on the Bench

Return worksurfaces

-The frame structure is different than on the bench

Curved Legs

Functional, Basic or Casual screens

-No accessory rail

Height Adjustable Spacers

-The frame structure is different than on a bench

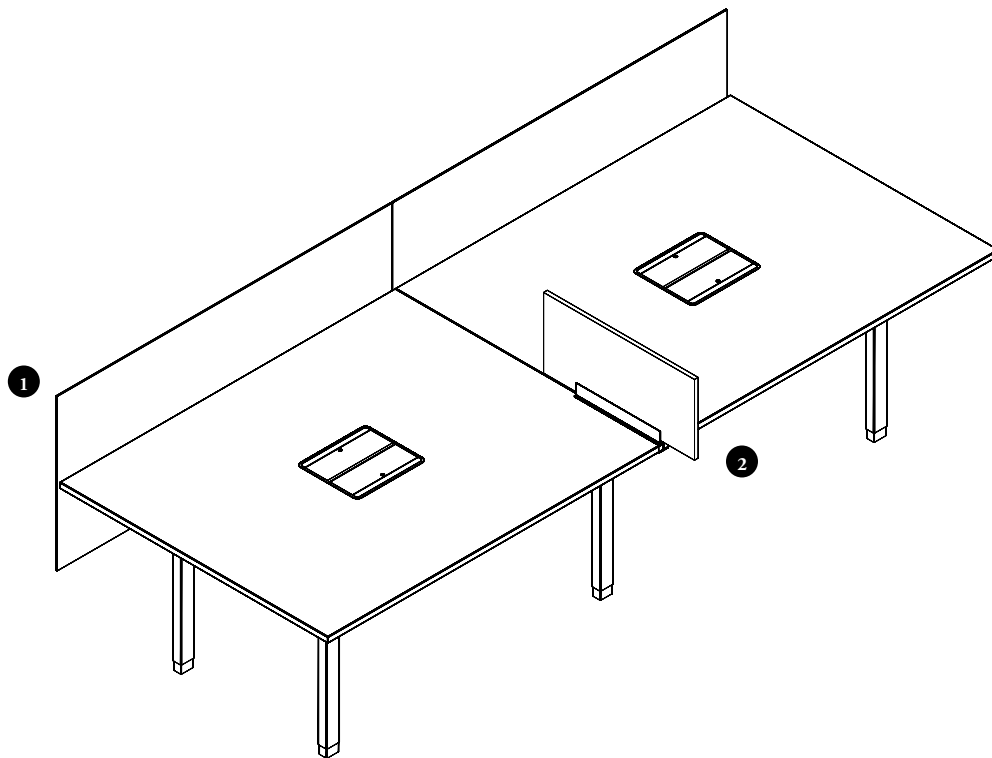
Overhead storage

-No accessory to attach the stations to

The following components **can** be used on an Interpret meeting table.

1 Return desk edge screens

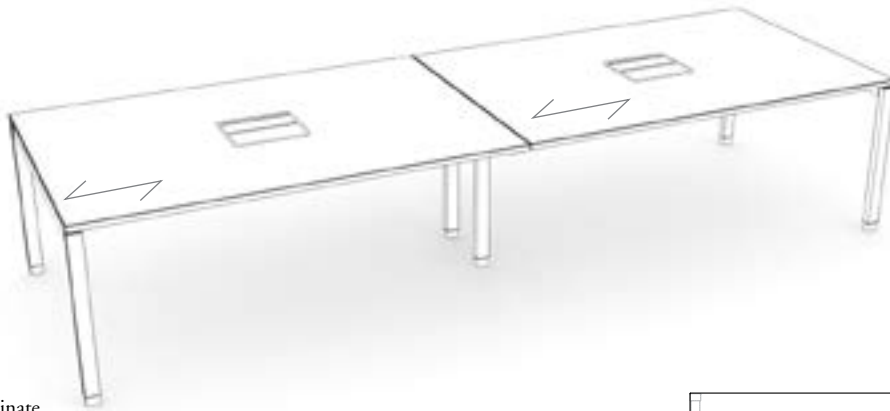
2 Casual lateral screens



work table basics

Interpret Work Tables provide meeting and team spaces that aesthetically match the Interpret bench, and are available with optional power access Cut Outs.

70



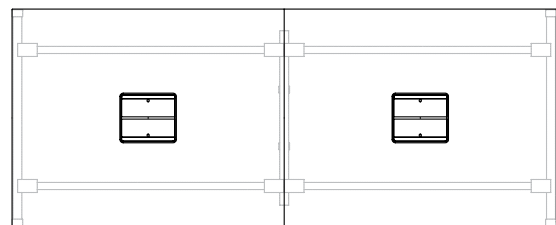
Finishes

- Source Laminate
- Foundation Laminate
- Seamless Color
- Flintwood

↔ indicates grain direction

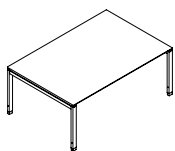
Bookmatching:

Woodgrain patterns will not book match across adjoining surfaces

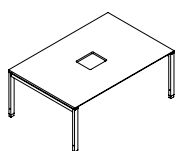


Plan View

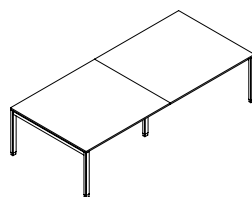
48" - 96"



Without Cut Out

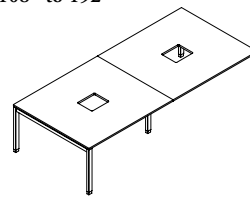


With Cut Out



Without Cut Out

108" to 192"



With Cut Out

Work Tables (WWTWK)

Interpret Work Tables match the aesthetic of the Interpret Meeting Table with some variations

- Does not include an accessory beam
- Specified as one complete unit
- Includes the frame and worksurface
- Legs are in the same location as the Interpret Bench
- Table tops are 1"

Leg Styles:

- Straight
- Angled
- Curved

Widths:

- 60" to 96" in 12" increments (will have one top)
- 108" to 192" in 12" increments (will have two tops)

Depths:

-48", 54" and 60" d (Flintwood not available on 60" depth)

Height:

- 29"h.
- Leveling range +1"/-1"

Worksurfaces Edges:

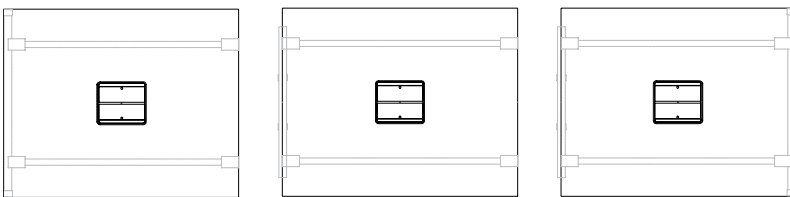
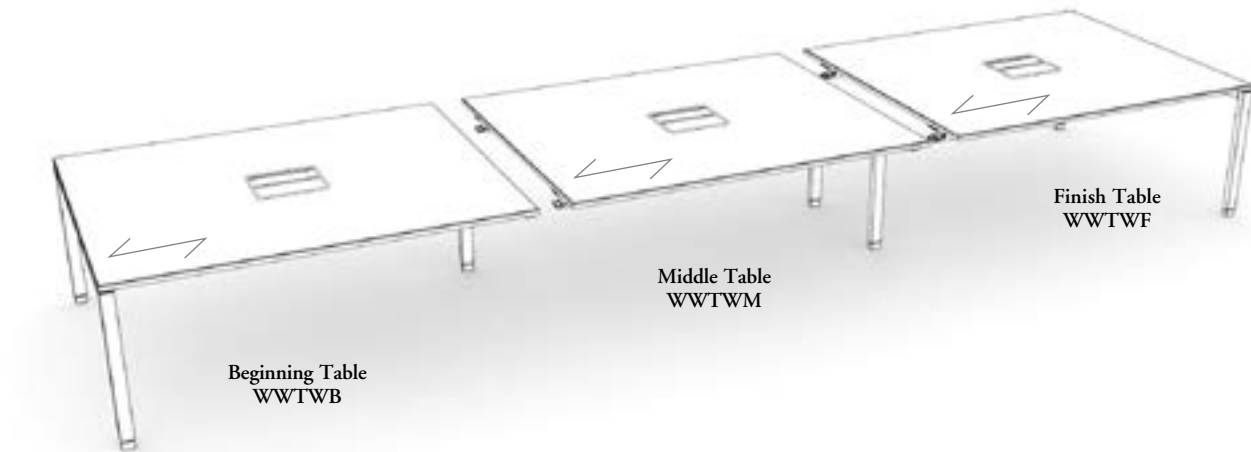
- Knife edge (on 3 outside edges, flat on adjoining edge)
- Flat edge (on all edges)

Cut Out Options:

- With Power
 - Double Access Doors and Table Power Modules must be specified separately
 - With CALA Cut Out (Interpret CALA Meeting Table Power (UBEP) must be ordered separately)
- Without Power

beginning, middle and finish work table basics

An Interpret Work Table can be configured to meet the users needs by using Beginning, Middle and End Frames. They provide meeting and team spaces that aesthetically match the Interpret bench, and are available with optional power access Cut Outs.

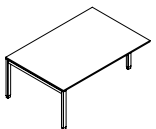


Plan View

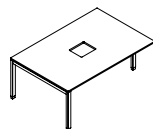
Beginning Table (WWTWB)

Middle Table (WWTWM)

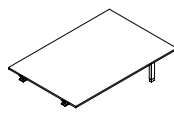
Finish Table (WWTWF)



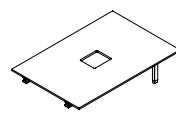
Without Cut Out



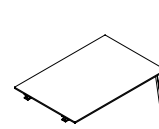
With Cut Out



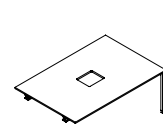
Without Cut Out



With Cut Out



Without Cut Out



With Cut Out

Standard Cut Out shown

Interpret Work Tables match the aesthetic of the Interpret Bench and Meeting Table

- Specified as individual units (Beginning, Middle and Finish Tables)
- Include the frame and worksurface
- Legs are in the same location as the Interpret Bench
- Table tops are 1"

Leg Styles:

- Straight
- Angled
- Curved

Widths:

60" to 96" in 6" increments (will have one top)

Depths:

48" and 60"d

Height:

29"h.

Leveling range +1"/-1"

Worksurfaces Edges:

- Knife edge (continuous)
- Flat edge

Cut Out Options:

- With power
- Double Access Doors and Table Power Modules must be specified separately
- With CALA Byrne Cut Out
- Byre Ellora Module must be specified separately
- Without power

planning with work tables

The following should be considered when planning with the Work Tables and Beginning, Middle and Finish Work Tables.

The following components **cannot** be used on an Interpret meeting table.

Functional, Basic or Casual screens

-No accessory rail

Height Adjustable Spacers

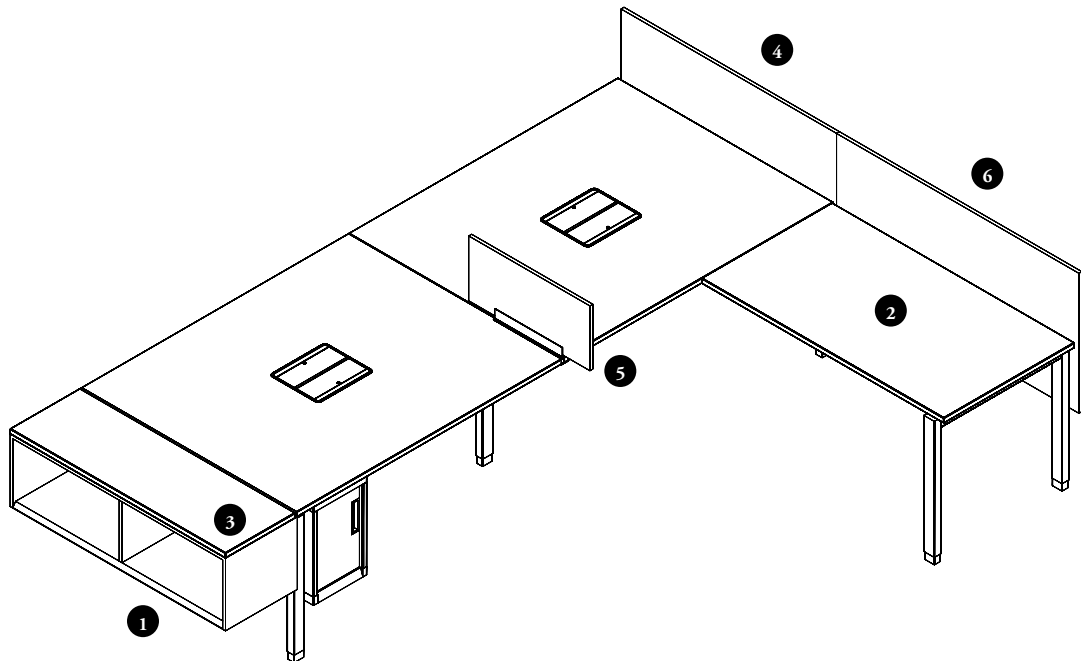
-The frame structure is different than on a bench

Overhead storage

-No accessory rail to attach the stanchions to

The following components **can** be used on an Interpret Work Table.

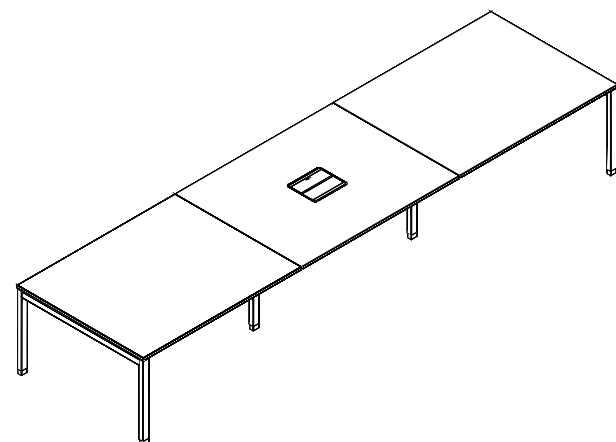
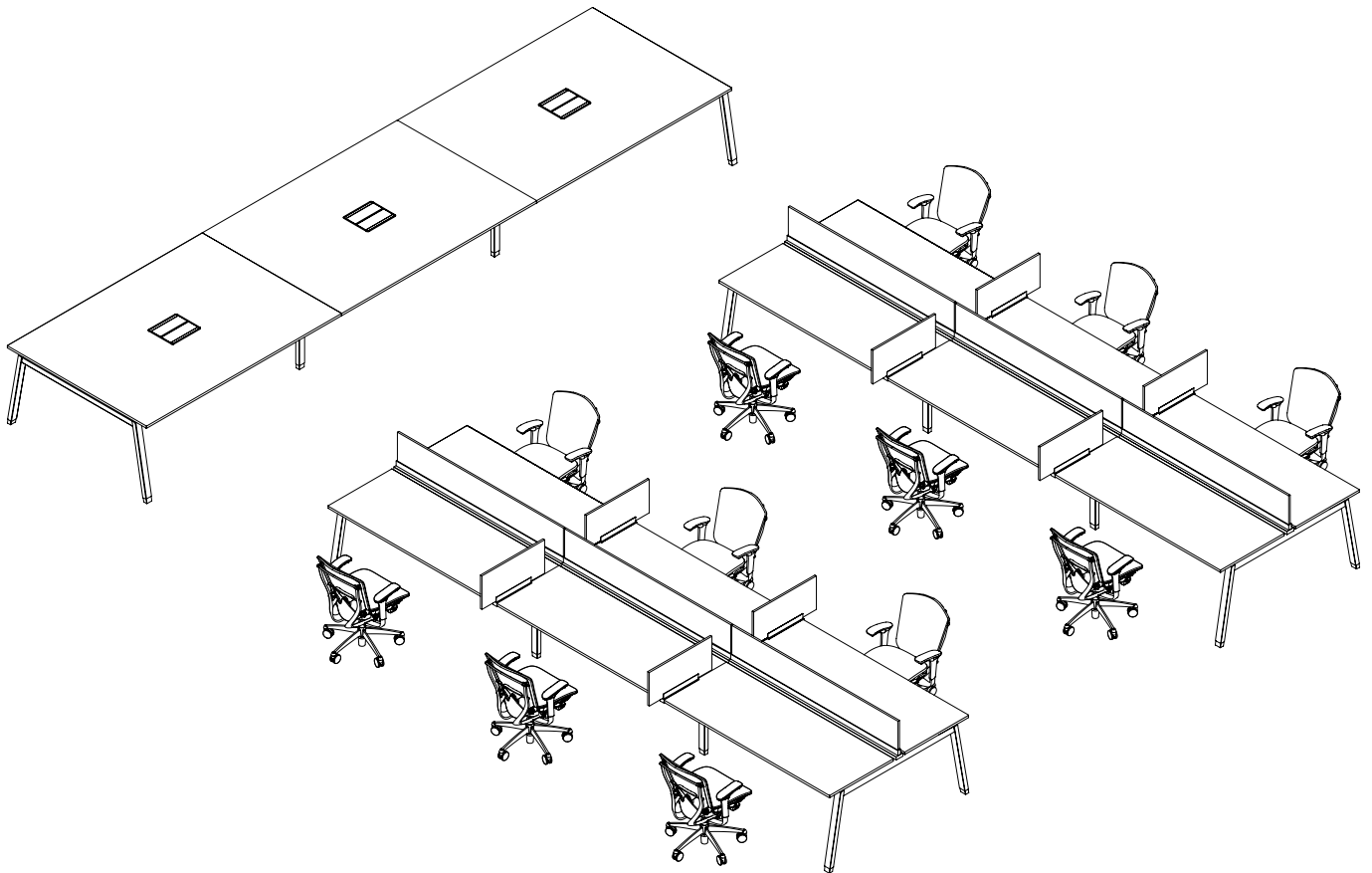
- 1 Suspended and end mounted storage
- 2 Return worksurfaces
- 3 Peninsula worksurfaces (except with the curved leg)
- 4 End gable overlay screens (except with the curved leg)
- 5 Casual lateral screens
- 6 Return desk edge screens



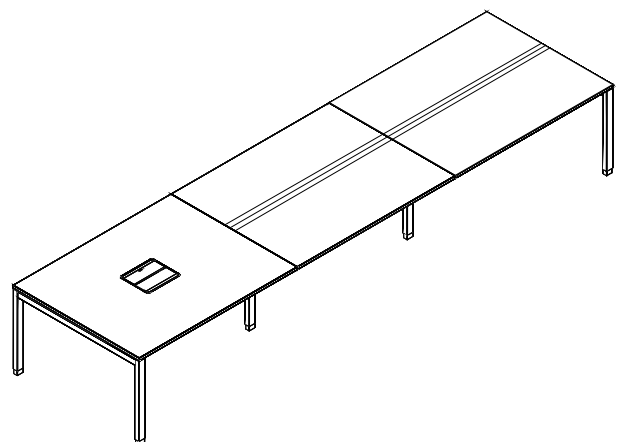
planning with work table components

beginning, middle and finish work tables

- Work Tables are intended for use anywhere large tables are needed:
 - Meeting rooms
 - Team rooms
 - Open plan touchdown spaces and collaborative spaces



Similar to the Interpret Bench, combining Work Table Components can provide a worktable that is longer than 192". The individual sections can vary in size.



Work Table Components can be attached to Interpret Benches for maximum flexibility.

screens

screens

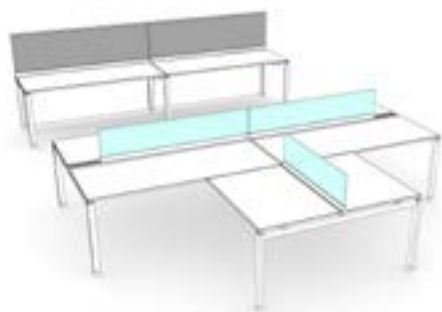
UNDERSTANDING SCREENS	78
SLIDING AND CASUAL SCREENS OVERVIEW	80
SLIDING SCREEN BASICS	81
CASUAL SCREEN BASICS	82
PLANNING WITH CASUAL SCREENS	83
DESK EDGE SCREENS OVERVIEW	84
DESK EDGE SCREEN BASICS	85
PLANNING WITH DESK EDGE SCREENS	88
LATERAL SCREENS OVERVIEW	96
CASUAL LATERAL SCREENS BASICS	97
PLANNING WITH CASUAL LATERAL SCREENS	98
DESKTOP LATERAL SCREEN BASICS	100
PLANNING WITH DESKTOP LATERAL SCREENS	102
GABLE AND STANCHIONS OVERVIEW	103
END GABLE OVERLAY SCREEN BASICS	104
PLANNING WITH END GABLE OVERLAY SCREENS	106
END GABLE INFILLS & LEG COVER BASICS	108
PLANNING WITH END GABLE INFILLS	109
STANCHION INFILL SCREEN BASICS	110
BASIC AND FUNCTIONAL SCREEN OVERVIEW	111
SPINE SCREEN BASICS	112
SPINE SCREEN COMPONENT BASICS	113
PLANNING WITH SPINE SCREENS	114

screens (continued)

FUNCTIONAL ADD-ON SCREEN BASICS	117
PLANNING WITH FUNCTIONAL ADD-ON SCREENS	118
BLENDING BASIC, FUNCTIONAL & ADD-ON SCREENS	119
LATERAL SCREEN OVERVIEW	120
LATERAL SCREEN BASICS	121
LATERAL SCREEN COMPONENT BASICS	122
PLANNING WITH LATERAL SCREENS	123

understanding screens

Interpret offers a large variety of screens at varying heights available in multiple materials. The screens provide various levels of privacy and functionality.



sliding and casual screens

- The Sliding Screen attaches to the Accessory Beam to provide user adjustable privacy in collaborative settings
- Casual Screens attach to the Accessory Beam of Single-Sided, Double-Sided and Return Frames for Two Worksurfaces to provide space division and visual privacy. Available in glass, infinity and framed options



desk edge screens

Desk Edge Screens are available in three styles:

- Glass
- Infinity, straight and curved
- Framed

- 1 Return Desk Edge Screen
 - Can be mounted on-module or off-module to the edge of Single Return Worksurfaces to provide privacy at 42" or 51" high
- 2 Glass Return Desk Edge Screens
 - Mounts on- or off-module to the edge of single return worksurfaces
 - Provides privacy at 42" high
 - Available in glass at two modesty heights
- 3 Infinity Desk Edge Screens, Desk Edge Floor Screens and Side Desk Edge Screens
 - Attaches to worksurfaces to provide a lightweight, thin upholstered fabric screen
 - Provides a softer curvilinear aesthetic
 - Creates space division and local desktop privacy at various heights
- 4 Framed Fabric Desk Edge Screens, Desk Edge Floor Screens and Side Desk Edge Screens
 - Attaches to worksurfaces to provide an upholstered fabric screen
 - Is outlined by a frame
 - Creates space division and local desktop privacy at various heights above and below the worksurface

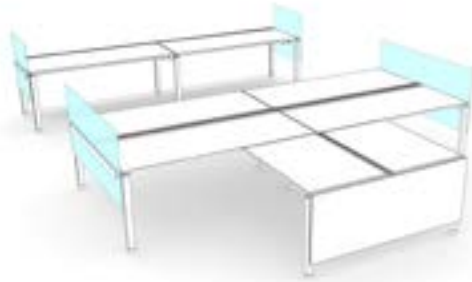


lateral screens

- Casual Lateral Screens attach to the worksurface to provide lateral space division. These screens can be mounted on-module or off-module and can also extend 6" beyond the worksurface to provide additional privacy
- Desktop Lateral Screens attach to the worksurface to provide lateral space division and are available in a variety of finishes including glass, writable solid, writable glass, framed and infinity



understanding screens (continued)



gable infills and stanchions

- End Gable Overlay Screens mount to the end gable cross beams to provide lateral or corridor privacy as modesty or at seated height.
- End Gable Infills and Intermediate Leg Covers provide increased privacy at the end of a bench or between users.
- Stanchion Infill Screens are used to increase the privacy between users when Mounted Storage is used.

79



basic screens

- Basic Spine Screens mount to an accessory rail and provides a light frame structure for use with fabric, whiteboard and metal fascias
- Basic Lateral Screens mount to an accessory rail and are used laterally on worksurfaces to provide privacy and functionality between side by side users



functional screens

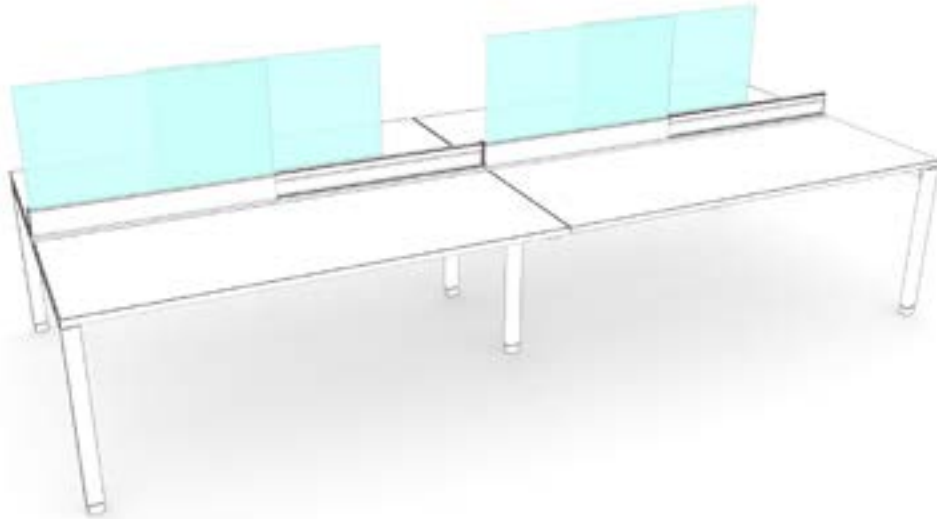
- Functional Spine Screens mount to an accessory rail and provides additional stability and can be used with fabric whiteboard and metal fascias as well as wood and accessory fascias and glass add-ons
- Functional Lateral Screens attach on-module to Functional Spine Screens or Basic Spine Screens

sliding and casual screens overview

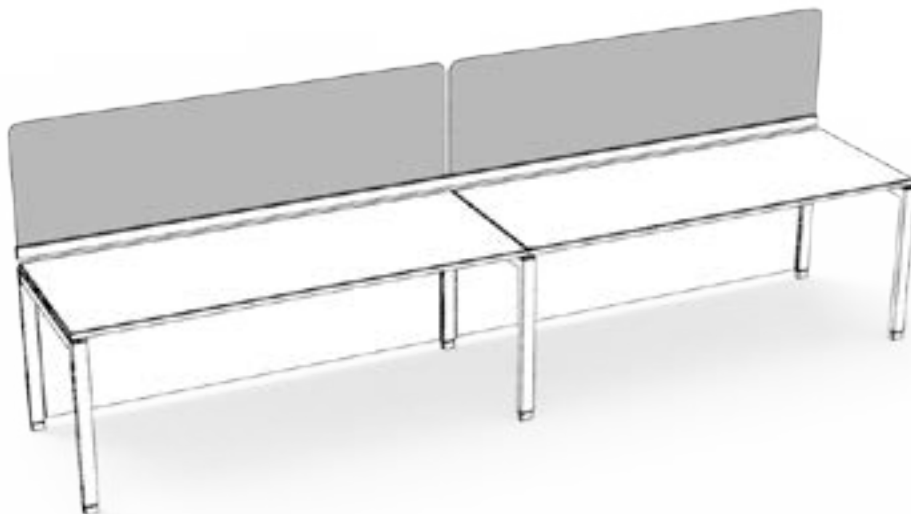
Casual Screens attach to the Accessory Beam of Single-Sided, Double-Sided and Return Frames for two worksurfaces to provide space division and visual privacy.

sliding screens

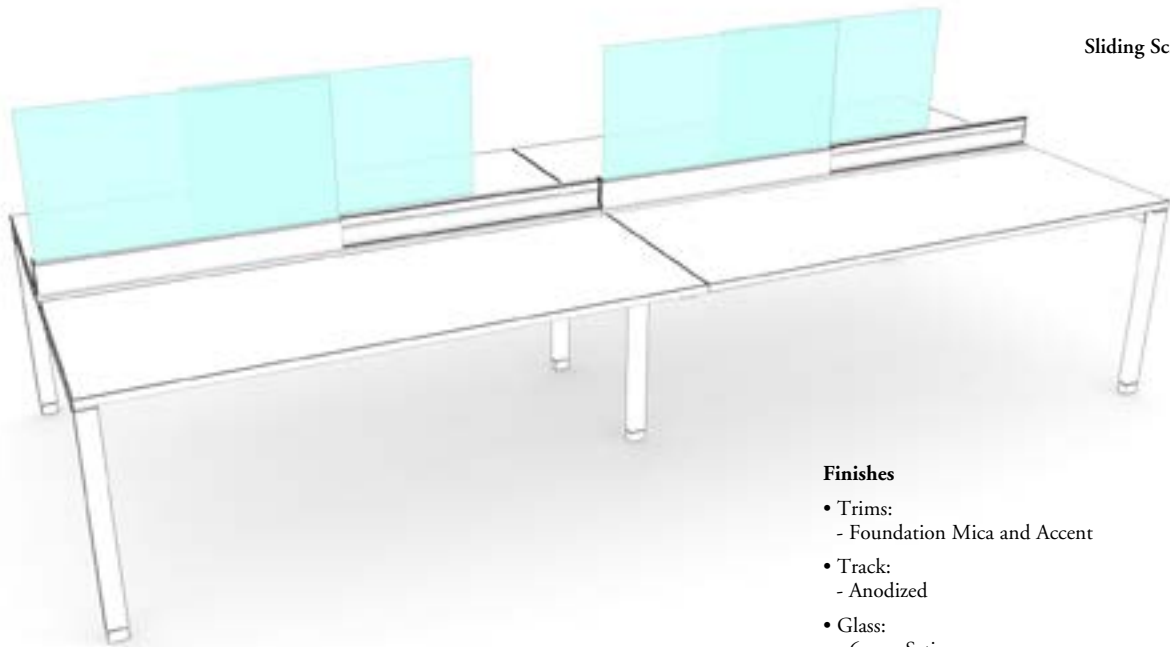
80



casual screens



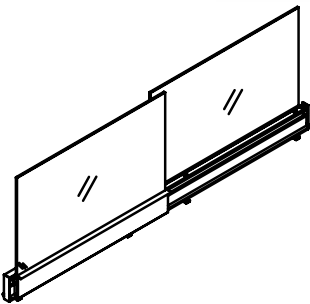
The Sliding Screen attaches to the Accessory Beam to provide user adjustable privacy in collaborative settings.



Sliding Screen

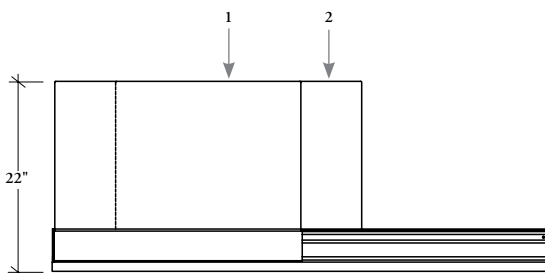
Finishes

- Trims:
 - Foundation Mica and Accent
- Track:
 - Anodized
- Glass:
 - 6 mm Satin

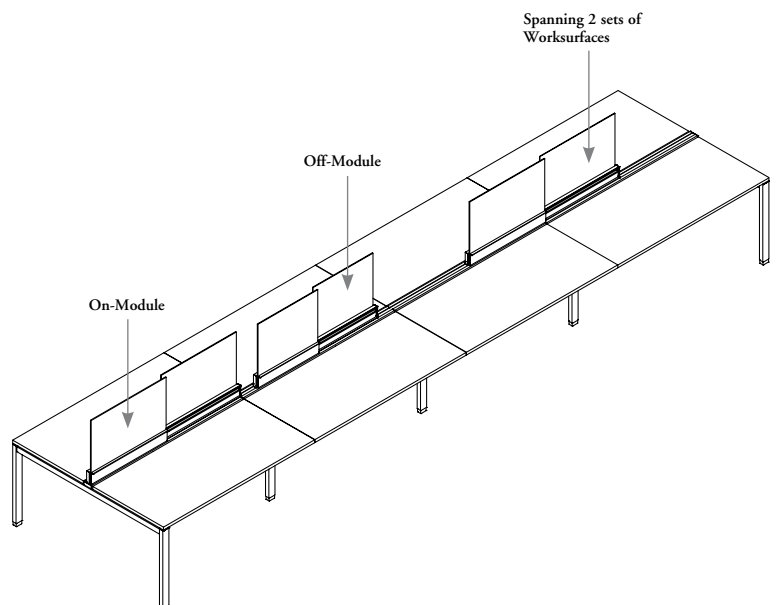


Sliding Casual Screen (WWCSS)

- Consists of two sliding glass panels and an anodized track
- Heights:
 - 13" for a 42" h datum
 - 22" for a 51" h datum
- Widths include: 24" to 96" in 6" increments
- Can be used with any worksurface type



Each Sliding Screen frame unit has two segments of glass and the glass can only slide within that frame.

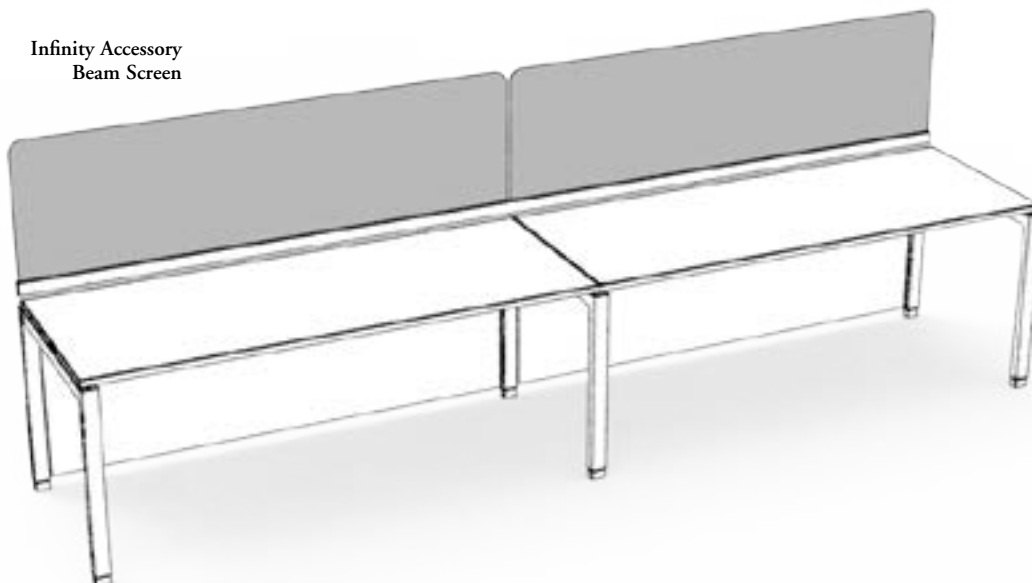


Sliding Screen frames can be mounted on-module or off-module, or span across two sets of worksurfaces.

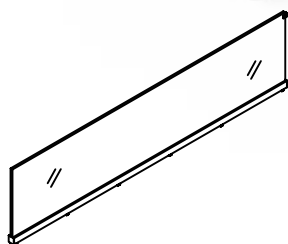
casual screen basics

Casual Screens attach to the Accessory Beam of Single-Sided Frames, Double-Sided Frames or Return Frames For Two Worksurfaces to provide space division and visual privacy.

Infinity Accessory
Beam Screen

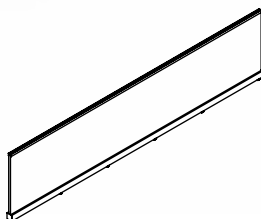


82



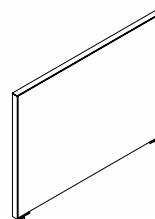
Casual Screen – Glass (WWCCG)

- Provides translucent space division
- Heights:
 - 13" for a 42"h datum
 - 22" for a 51"h datum
- Widths include: 24" to 96" in 6" increments
- Modesty Base Heights include:
 - 15" from floor only
- Available glass thickness:
 - 6mm
 - 10mm



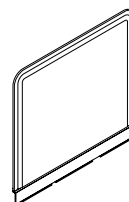
Casual Screen – Solid (WWCCS)

- Provides solid space division
 - Heights:
 - 13" for a 42"h datum
 - 22" for a 51"h datum
 - Widths: 24" to 96" in 6" increments
 - Available with or without an Accessory Rail at the top
 - The Accessory Rail can accommodate the following accessories:
 - Pencil Tray
 - Binder Bin
 - Media Organizer
 - Vertical Organizers
 - fx Divisional Sorter
 - fx Binder Bin
 - fx Clock
 - fx Personal Box
 - Workstation Signage
 - Select Panel and Upholstery fabrics are available - please refer to the (*Teknion Textiles Program Guide*.)
- Please refer to Complements: (*Teknion's Ergonomics & Accessories Program*)



Fabric Casual Screen (WWCCF)

- Provides solid finish space division
- Heights:
 - 13" high for a 42"h datum
 - 22" high for a 51"h datum
- Widths include: 24" to 72" in 6" increments
- Select Panel and Upholstery fabrics are available, please refer to the (*Teknion Textiles Program Guide*.)

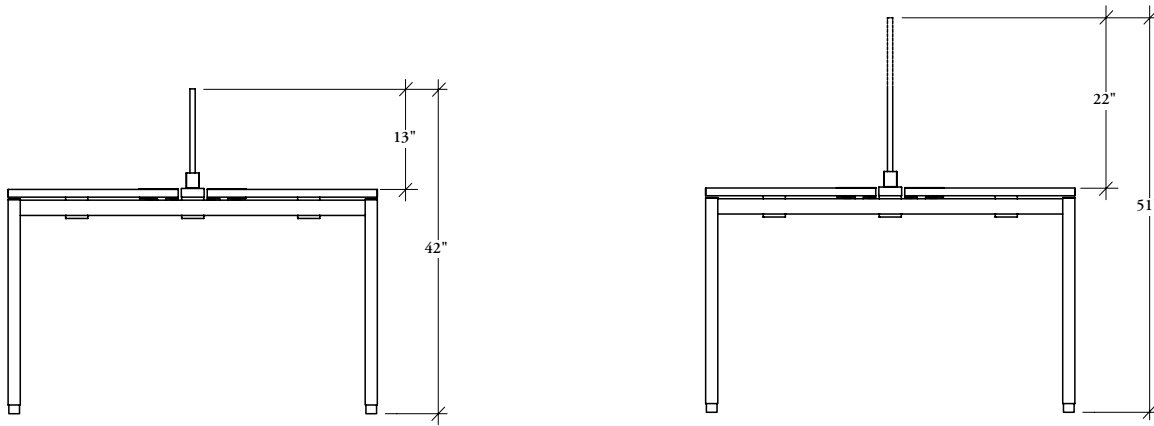


Infinity Accessory Beam Screen (GXAN)

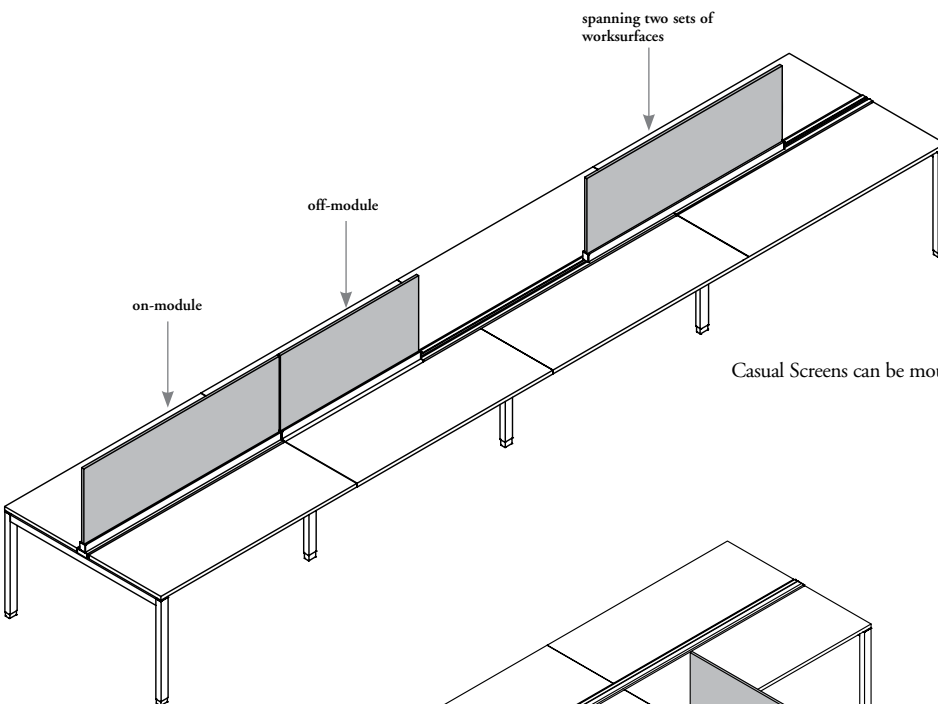
- A fabric screen with curved radius upper corners that mounts to the accessory rail to provide space division
 - Heights:
 - 13" for a 42"h datum
 - 22" for a 51"h datum
 - Widths: 24" to 72" in 6" increments
- Available in select panel and upholstery fabric, please refer to the *Teknion Textiles Program Guide*

planning with casual screens

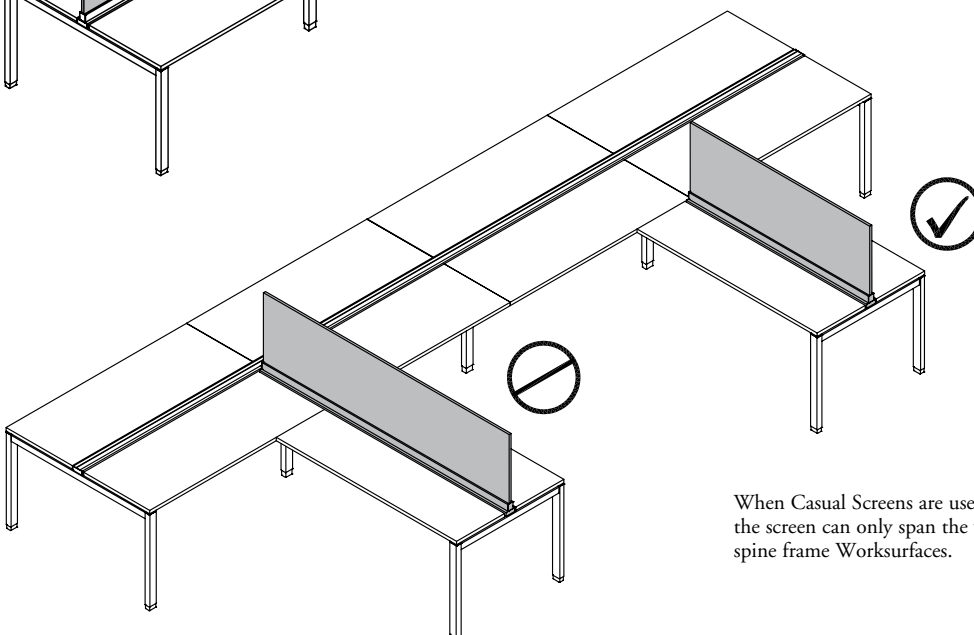
The following should be considered when planning with Casual Screens.



13" and 22" high Casual Screens are sized to provide standard Teknion datum heights of 42" and 51".



Casual Screens can be mounted on or off-module or can span across two frames.



When Casual Screens are used on the Return Frame for Two Workspaces, the screen can only span the width of the frame, it **cannot** extend over the spine frame Workspaces.

desk edge screens overview

Desk Edge Screens can be mounted on-module or off-module to provide privacy at 42" or 51" high.

return desk edge screens

The Return Desk Edge Screen can be mounted on-module or off-module to the edge of Single Return Worksurfaces to provide privacy at 42" or 51" high.



infinity and framed desk edge screens

Infinity Screens with radius corners or Framed Screens with a square corners can be mounted on-module or off-module to the edge of Single Return Worksurfaces to provide privacy at 42" or 51" high.



desk edge screen basics

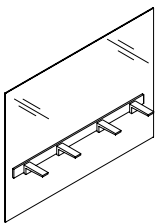
The Desk Edge Screen can be mounted on-module or off-module to the edge of Single Return Worksurfaces to provide privacy at 42" or 51" high.

desk edge screens - return screens

Return Desk Edge Screen shown

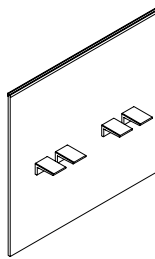


Glass Return Desk Edge Screen shown



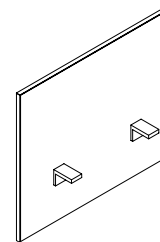
Glass Return Desk Edge Screen (WWCRG)

- Mounts on-module or off-module to the edge of all Single Return Worksurfaces
- Heights:
 - 13" for a 42" h datum
 - 22" for a 51" h datum
- Widths: 24" to 72" in 6" increments
- Modesty Base Heights:
 - 15" from floor only
- Available glass thickness:
 - 6mm
 - 10mm
- Alignment clips included



Solid Return Desk Edge Screen (WWCRS)

- Mounts on or off-module to the edge of all Single Return Worksurfaces
- Heights above worksurface:
 - 00" for 29"
 - 13" for 42"
 - 22" for 51"
- Widths: 24" to 72" in 6" increments
- Modesty Base Heights:
 - 15" for Modesty
 - 6" for Elevated
 - 1" for Floor
- Floor Height **not** available for 51" high screens
- Available thickness:
 - 5/8"
- Available with or without Accessory Rail at the top, to accommodate Personal Organizers (PAX) and FX Accessories. Available from *Complements: Teknion's Ergonomics & Accessories Program*.
- Alignment clips and flush plates included



Fabric Return Desk Edge Screen (WWCRF)

- Mounts on-module or off-module to the edge of all single return worksurfaces
- Heights:
 - 13" for a 42" h datum
 - 22" for a 51" h datum
- Widths: 36" to 72" in 6" increments
- Modesty Base Heights:
 - 15" for Modesty
 - 6" for Elevated
 - 1" for Floor
- 1" Floor Height is **not** available with above worksurface height 22"

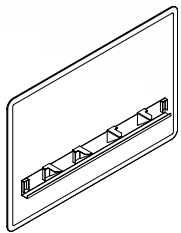
desk edge screen basics (continued)

desk edge screens - infinity screens



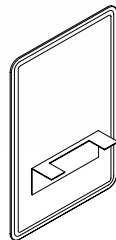
Infinity Desk Edge Screen shown

- Heights:
 - 13" for a 42" h datum
 - 22" for a 51" h datum



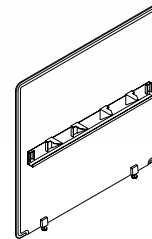
Infinity Desk Edge Screen (GXDN)

- Widths: 36" to 72" in 6" increments
- Modesty Base Heights:
 - 15" Modesty Height
 - 6" Elevated Height
- Select Panel and Upholstery fabrics are available, *please refer to the Teknion Textiles Program Guide.*
- Available with a wire manager



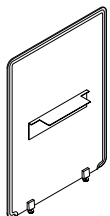
Infinity Side Desk Edge Screen (GXSN)

- Depths include: 24", 30" and 36" deep
- Modesty Base Heights:
 - 15" Modesty Height
 - 6" Elevated Height
- Select Panel and Upholstery fabrics are available - *please refer to the Teknion Textiles Program Guide.*



Infinity Desk Edge Floor Screen (GXFN)

- Widths: 36" to 72" in 6" increments
- Modesty Base Heights:
 - 1" Floor Height
- Select Panel and Upholstery fabrics are available - *please refer to the Teknion Textiles Program Guide.*
- Available with a wire manager



Infinity Side Desk Edge Floor Screen (GXEN)

- Widths: 24", 30", 36"
- Modesty Base Heights:
 - 1" Floor Height
- Select Panel and Upholstery fabrics are available - *please refer to the Teknion Textiles Program Guide.*



Infinity Screen Alignment Clip (GXCC)

- Used to align infinity screens in in-line applications

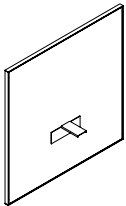
desk edge screen basics (continued)

desk edge screens - framed screens

Framed Desk Edge Screen shown

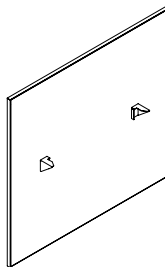


- Heights:
 - 13" for a 42" h datum
 - 22" for a 51" h datum



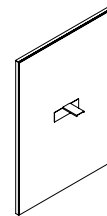
Framed Side Desk Edge Screen (GYSN)

- Depths: 18", 24", 30" and 36"
- Modesty Base Height:
 - 15" Modesty
 - 6" Elevated
- Select Panel and Upholstery fabrics are available - please refer to the *Teknion Textiles Program Guide*.



Framed Desk Edge Floor Screen (GYFN)

- Widths: 24 to 72 in 6" increments
- Modesty Base Height:
 - Floor Height 1"
- Select Panel and Upholstery fabrics are available - please refer to the *Teknion Textiles Program Guide*.



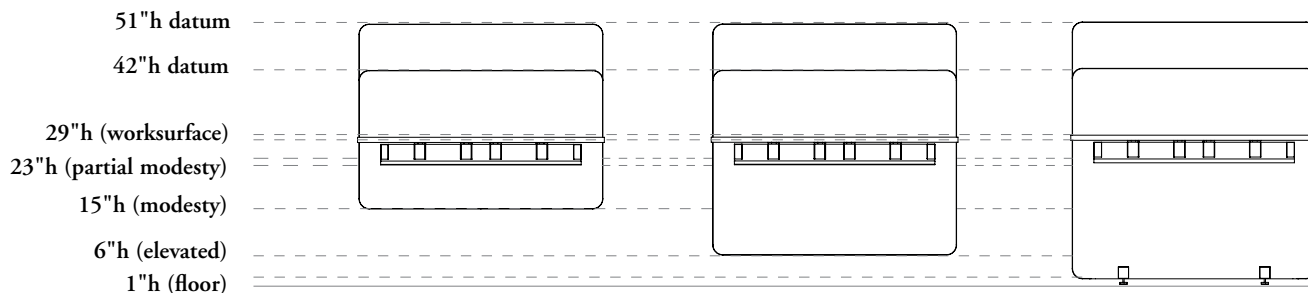
Framed Side Desk Edge Floor Screen (GYEN)

- Depths: 18", 24", 30" and 36" deep
- Modesty Base Height:
 - Floor Height 1"
- Select Panel and Upholstery fabrics are available - please refer to the *Teknion Textiles Program Guide*.

planning with desk edge screens

datum heights

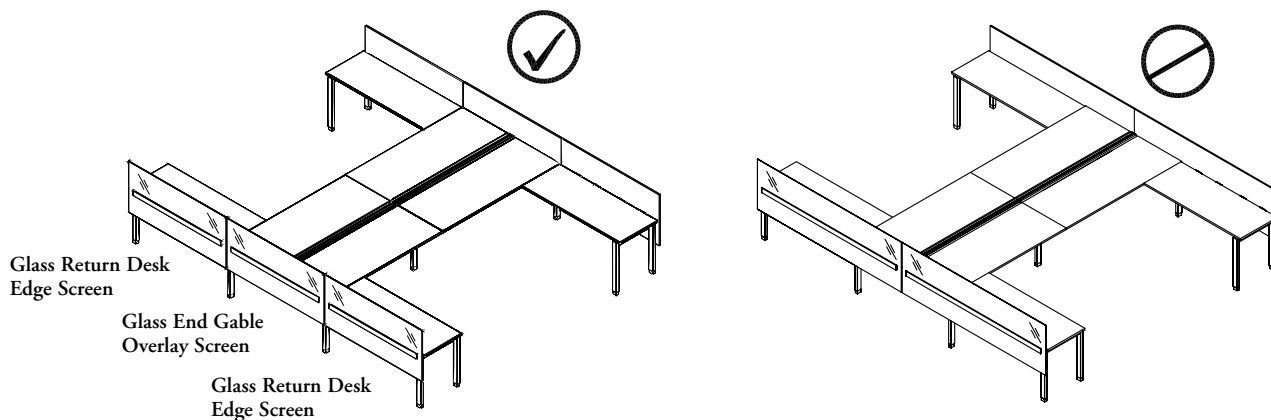
The following are all of the possible datum and modesty heights for I Desk Edge Screens. Please refer to each individual screen for the list of specific heights available for that screen.



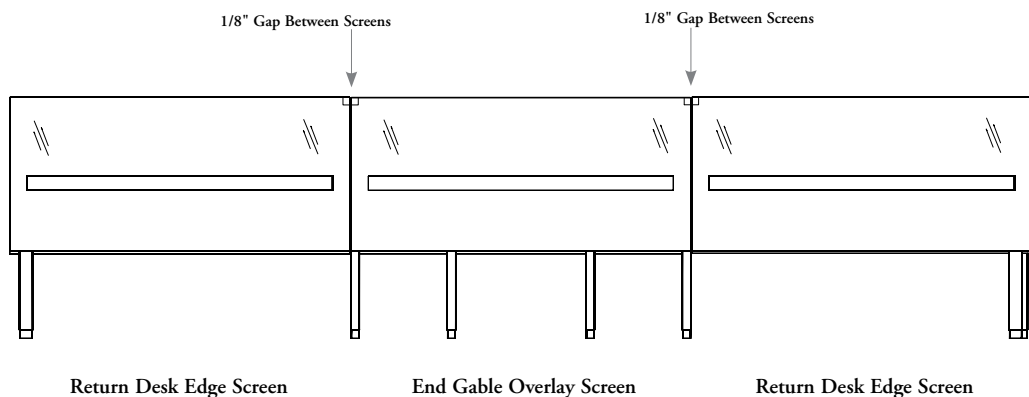
on-and off-modular

Glass Screens

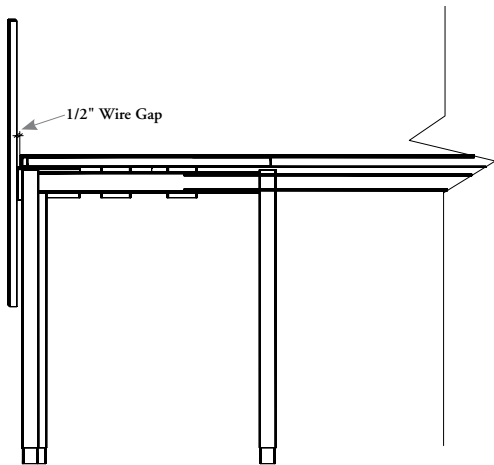
- Glass Return Desk Edge Screens mount onto the return frame
- A Glass End Gable Overlay Screen must be used on the double frame
- Glass Return Desk Edge Screens **cannot** overlap both frames



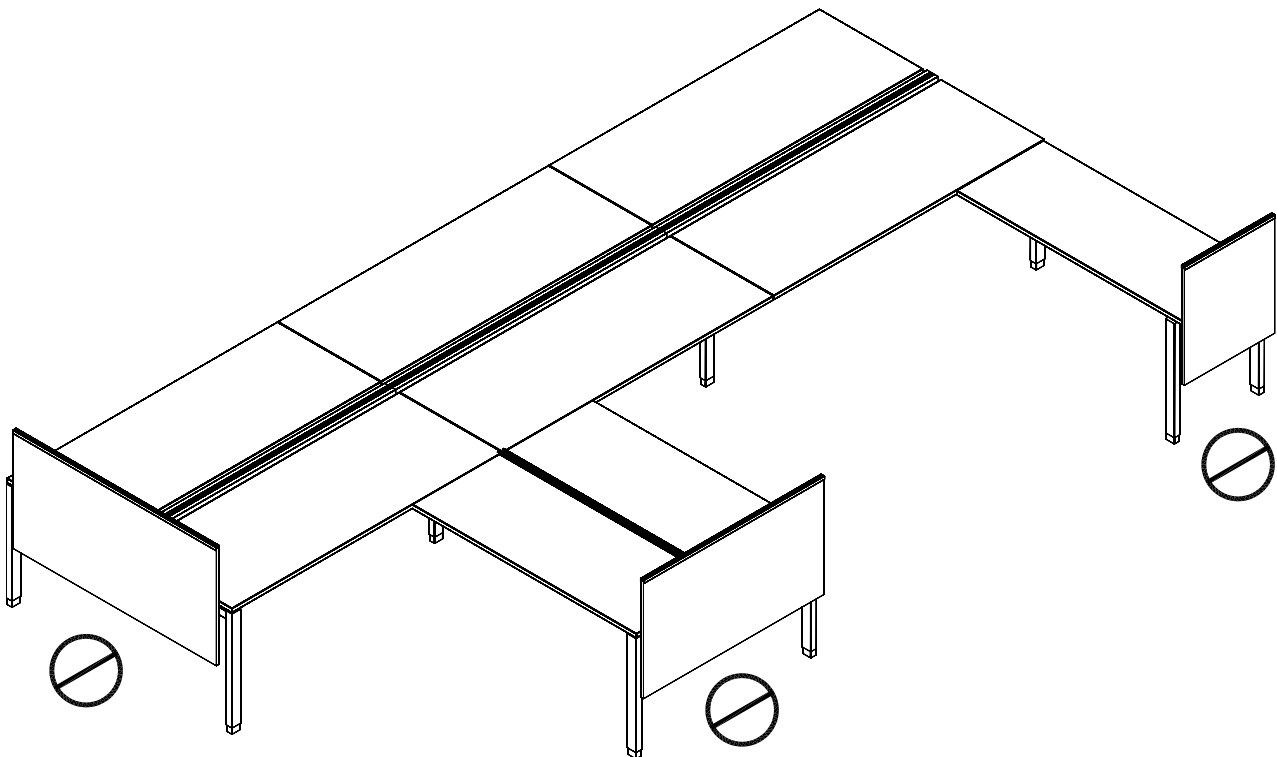
- Gap between screens is 1/8"
- Alignment Clips (glass & solid screens) and flush plates (solid screens only) are included with Return Screens



planning with desk edge screens (continued)



Desk Edge Screens are mounted with a 1/2" wire gap from the worksurface. The same distance of 1/2" wire gap is created between the End Gable Overlay Screen and the edge of the worksurface creating a consistent and continuous wire gap along the edges of the worksurfaces.



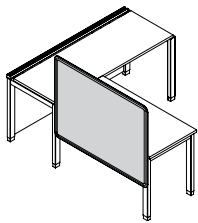
- Desk Edge Screens **cannot** be mounted to End Gable Cross Beams
- See Overlay End Gable Screens for this application

planning with desk edge screens (continued)

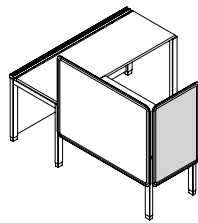
infinity screens

The following applications are available when planning with infinity fabric screens.

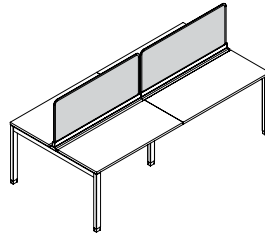
90



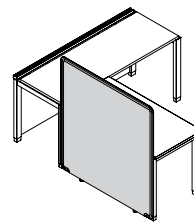
Desk Edge Screen



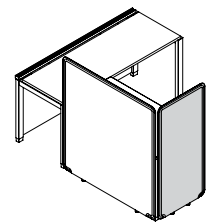
Side Desk Edge Screen



Accessory Beam Mount Screen



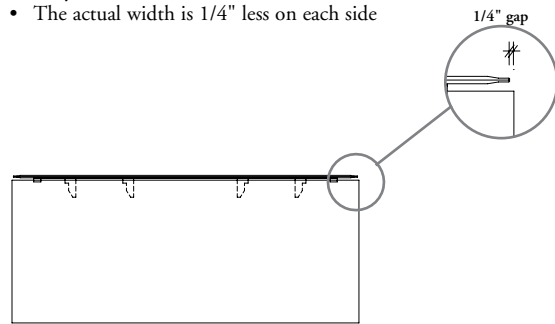
Desk Edge Floor Screen



Side Desk Edge Floor Screen

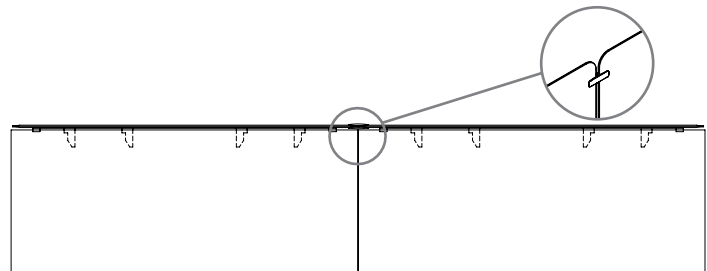
Infinity Screen widths are nominal.

- The actual width is 1/4" less on each side

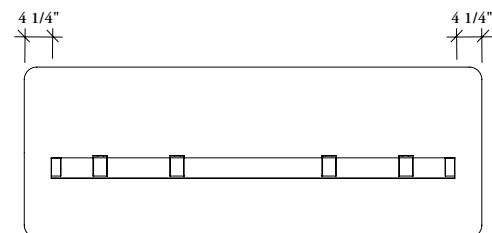
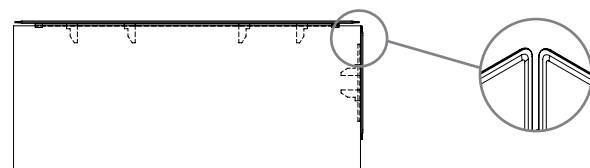


When two screens are planned side by side, there will be a 1/2" gap between the two screens.

- Screen Alignment Clips (GXCC) are used to align the two parallel screens



Infinity screens have no physical connection at corners. They are a casual fit.



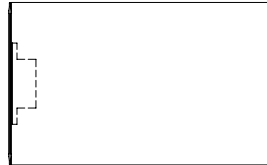
Infinity Screens have a common bracket placement distance of 4-1/4" inset from the edge.

planning with desk edge screens (continued)

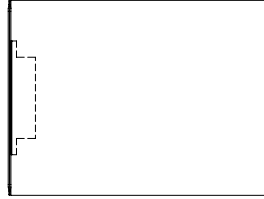
Infinity Side Desk Edge Screens can be planned at both partial and full depth.



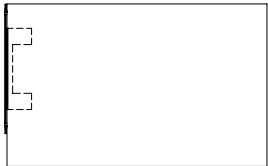
24" deep workspace with 24" deep Infinity Side Desk Edge Screen (GXSN).



30" deep workspace with 30" deep Infinity Side Desk Edge Screen (GXSN).



36" deep workspace with 36" deep Infinity Side Desk Edge Screen (GXSN).



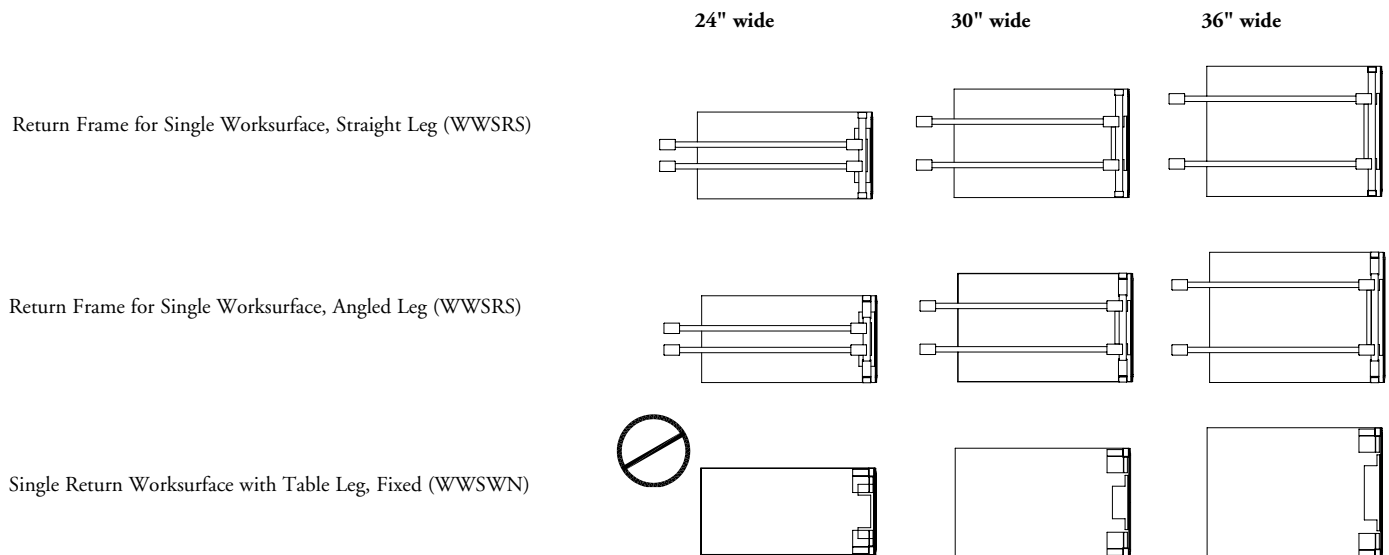
30" deep workspace with 24" deep Infinity Side Desk Edge Screen (GXSN).



36" deep workspace with 30" deep Infinity Side Desk Edge Screen (GXSN).

planning with desk edge screens (continued)

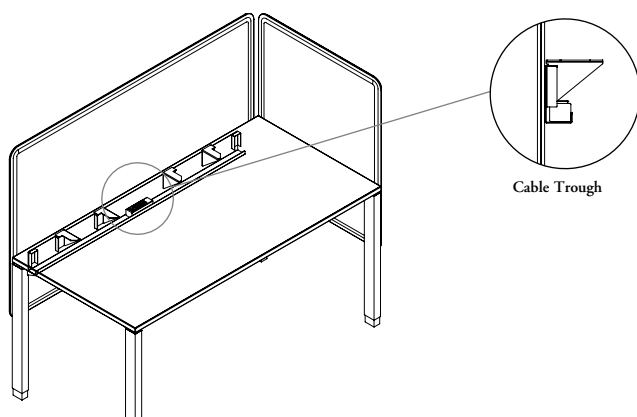
- Interpret offers three options for a return worksurface
 - Return frame for single worksurface, straight leg
 - Return frame for single worksurface, angled leg
 - A worksurface mounted perpendicular with Table Leg, Fixed
- The correct screen width must be specified to avoid bracket interference



desk edge screens with power rods and power bars

Infinity Desk Edge Screens offer an optional wire manager that accompanies the bracket connection

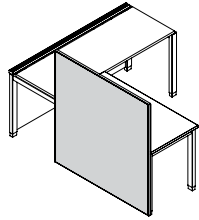
- The gap will always be 1/2"
- A continuous trough allows for cable management
- The trough can accommodate a Power Rod (YEPD) or Power Bar (YEPS). Available from *Complements: Teknion's Ergonomics & Accessories Program*



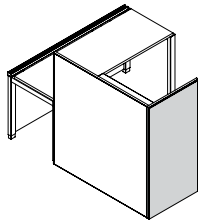
planning with desk edge screens (continued)

framed screens

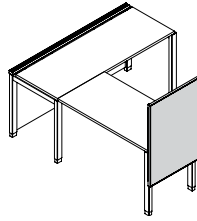
The following applications are available when planning with framed fabric screens.



Desk Edge Floor Screen

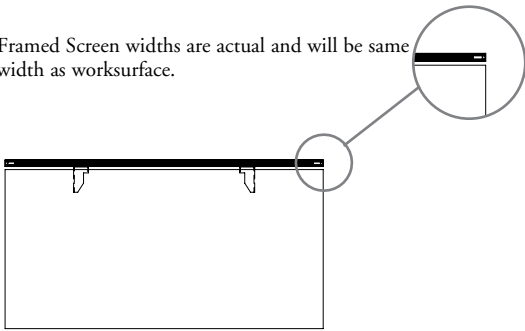


Side Desk Edge Floor Screen

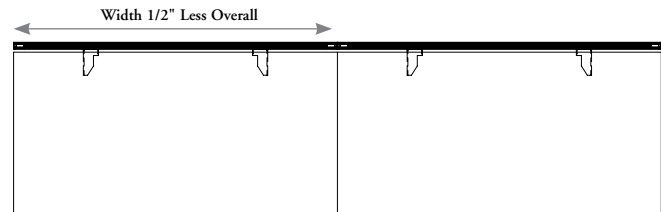


Side Desk Edge Screen

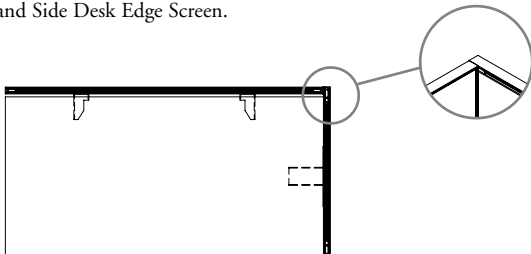
Framed Screen widths are actual and will be same width as worksurface.



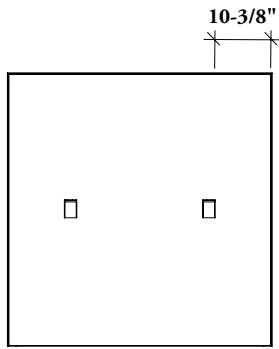
Screens are always 1/2" less than nominal. When planning side by side there will be no gap between screens.



Corner detail with Framed Screens are closed and have a physical connection between the Desk Edge Screen and Side Desk Edge Screen.



planning with desk edge screens (continued)

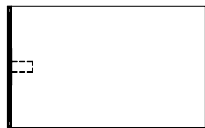


Framed Screens have a common bracket placement distance of 10-3/8" inset from the edge.

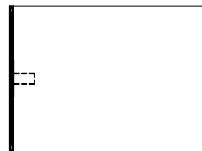
Framed Fabric Side Desk Edge Screens can be planned at both partial and full depth.



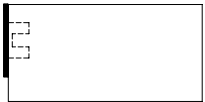
24" deep work surface with 24" deep Framed Side Desk Edge Screen (GYSN)



30" deep work surface with 30" deep Framed Side Desk Edge Screen (GYSN)



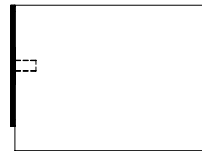
36" deep work surface with 36" deep Framed Side Desk Edge Screen (GYSN)



24" deep work surface with 18" deep Framed Side Desk Edge Screen (GYSN)



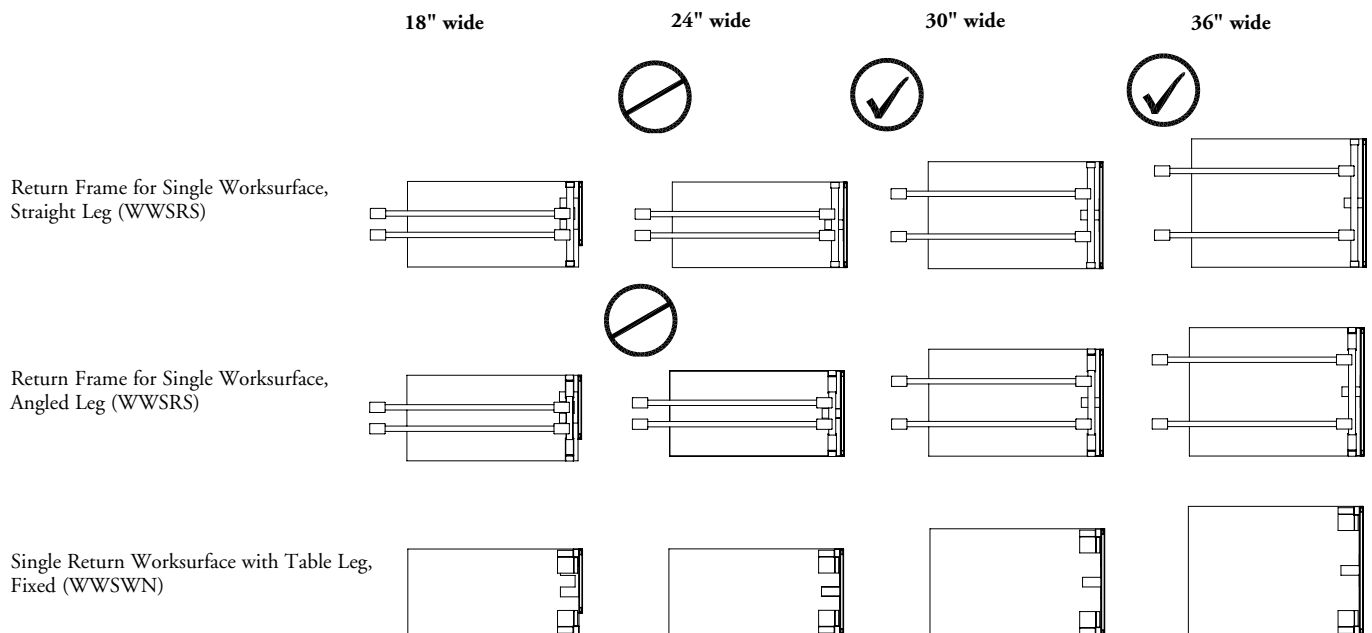
30" deep work surface with 24" deep Framed Side Desk Edge Screen (GYSN)



36" deep work surface with 30" deep Framed Side Desk Edge Screen (GYSN)

planning with desk edge screens (continued)

- Interpret offers three options for a return workspace
 - Return frame for single workspace, straight leg
 - Return frame for single workspace, angled leg
 - A workspace mounted perpendicular with Table Leg, Fixed
- The correct screen width must be specified to avoid bracket interference

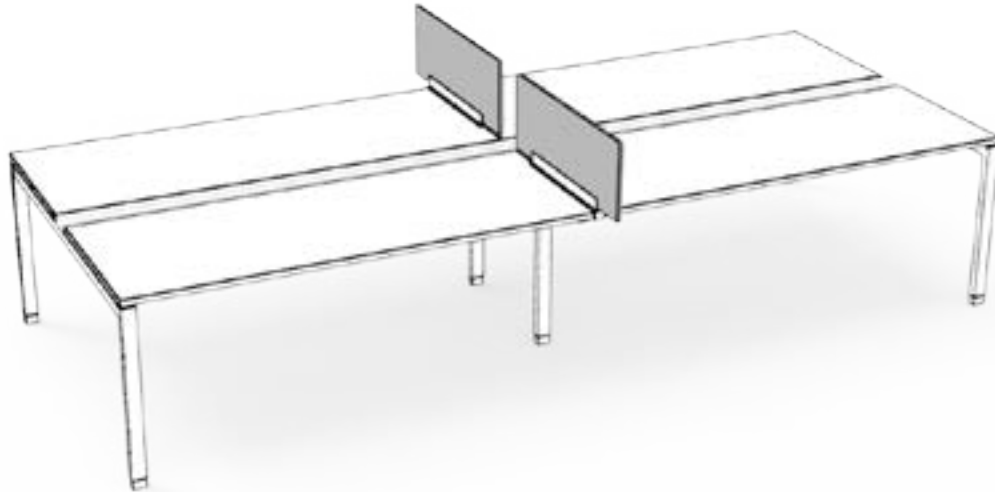


lateral screens overview

Lateral Screens attach to the worksurface to provide lateral space division.

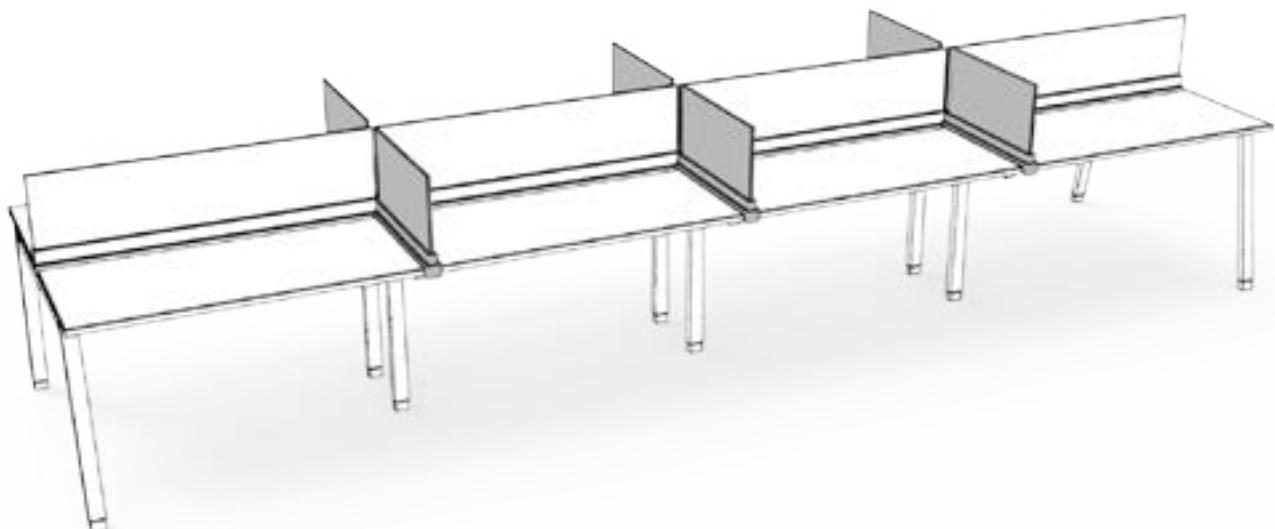
casual lateral screens

Casual Lateral Screens with curved corners extend 6" beyond the worksurface to provide lateral space division.



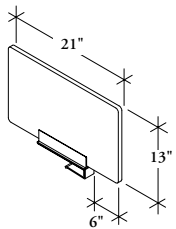
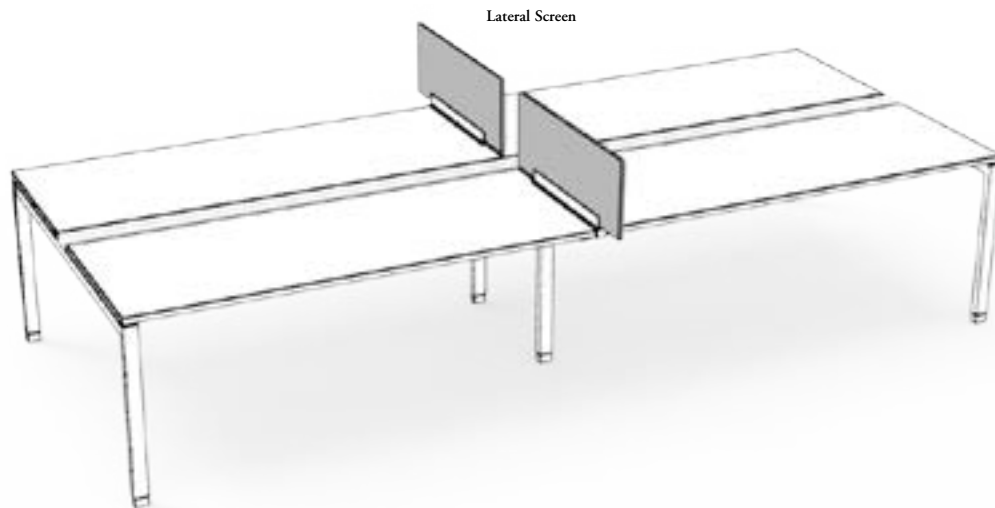
desktop lateral screens

Desktop Lateral Screens can be mounted perpendicular along worksurfaces to provide lateral space division.



casual lateral screens basics

Casual Lateral Screens attach to the worksurface to provide lateral space division.



Lateral Casual Screen with Radius Corners (WWCCR)

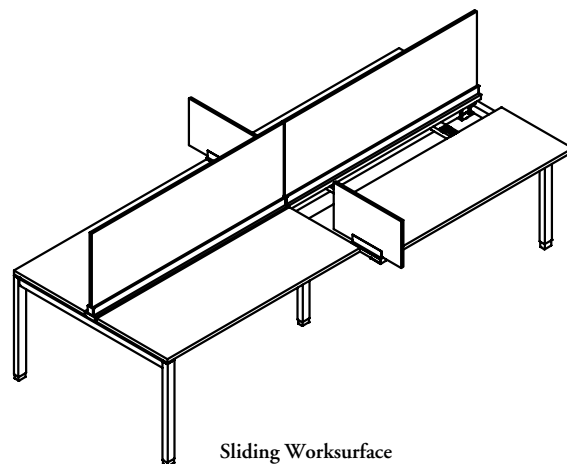
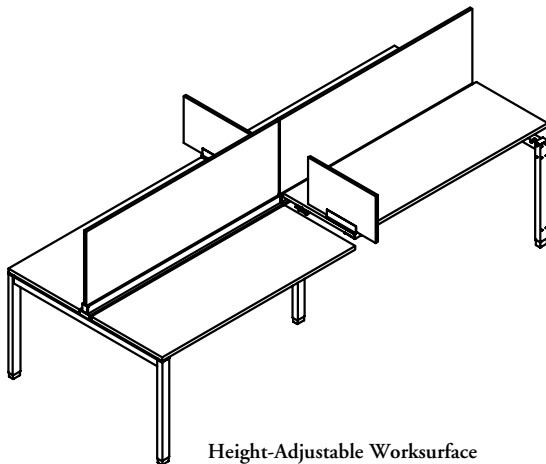
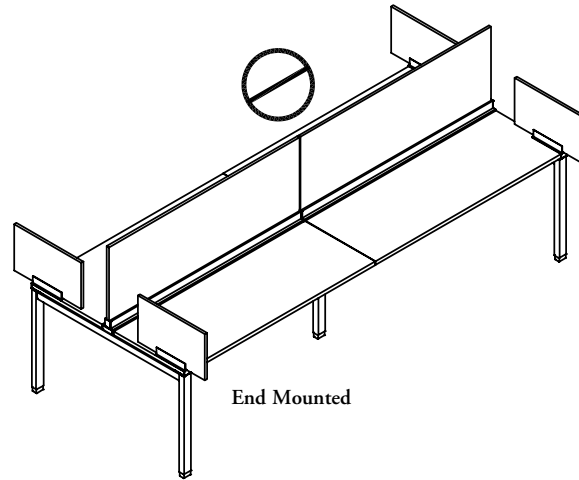
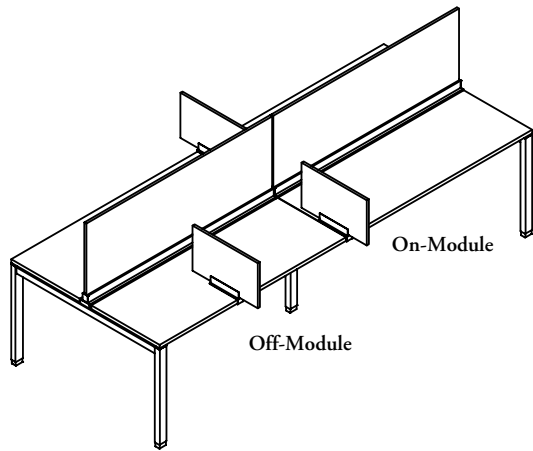
- A screen with a curved profile that provides lateral privacy
- Heights:
 - 13" for a 42"h datum
- Depths: 21", 27" and 33" deep with a 6" overhang to provide a casual fit
- Overall Depth includes 6" overhang
- Available finishes:
 - Source Laminate
 - Seamless
 - Flintwood
- Optional fasteners fix the screen to prevent removal
- Can be used with any worksurface type

planning with casual lateral screens

The following should be considered when planning with Lateral Screens.

Casual Lateral Screens can be mounted on-module and off-module, but cannot be mounted on an end condition.

98



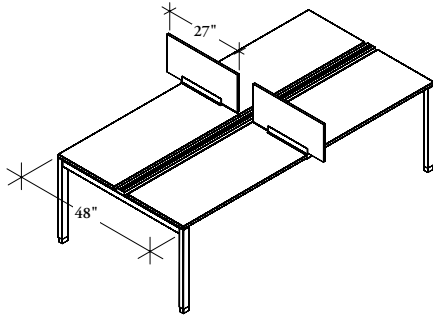
Casual Lateral Screens are available in various depths to provide different levels of privacy and the ability to accommodate overhead storage.

Lateral Screens can be mounted to height-adjustable or Sliding Worksurfaces, but the screen must be attached to one surface only.

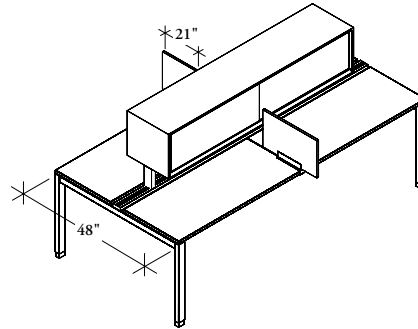
planning with casual lateral screens (continued)

Lateral Screens are available in various depths to provide different levels of privacy and the ability to accommodate overhead storage.

48" deep frames

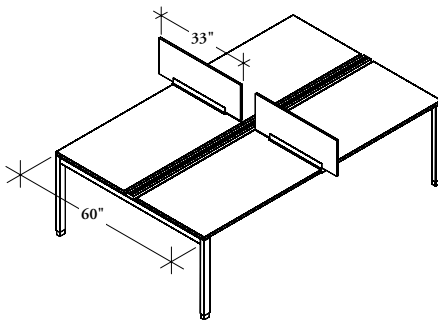


For full depth on a Single-Sided or Double-Sided Frame, use a 27" deep lateral screen (6" overhang on front).

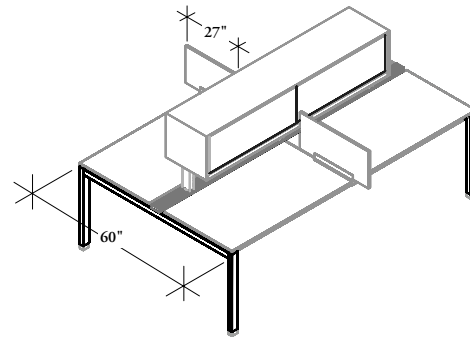


With spine mounted storage on Double-Sided Frame use a 21" lateral screen (6" overhang on front).

60" deep frame

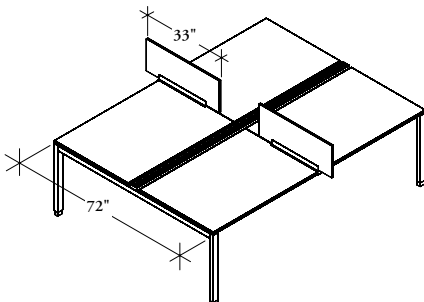


For full depth on a Single-Sided or Double-Sided Frame use a 33" lateral screen (6" overhang on front).

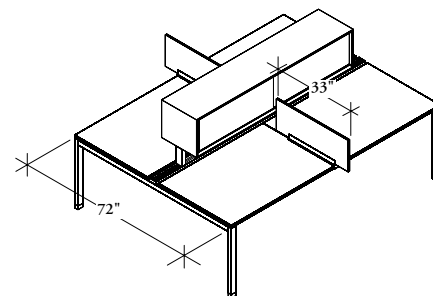


With spine mounted storage on a Double-Sided Frame use a 27" lateral screen (6" overhang on front).

72" deep frame



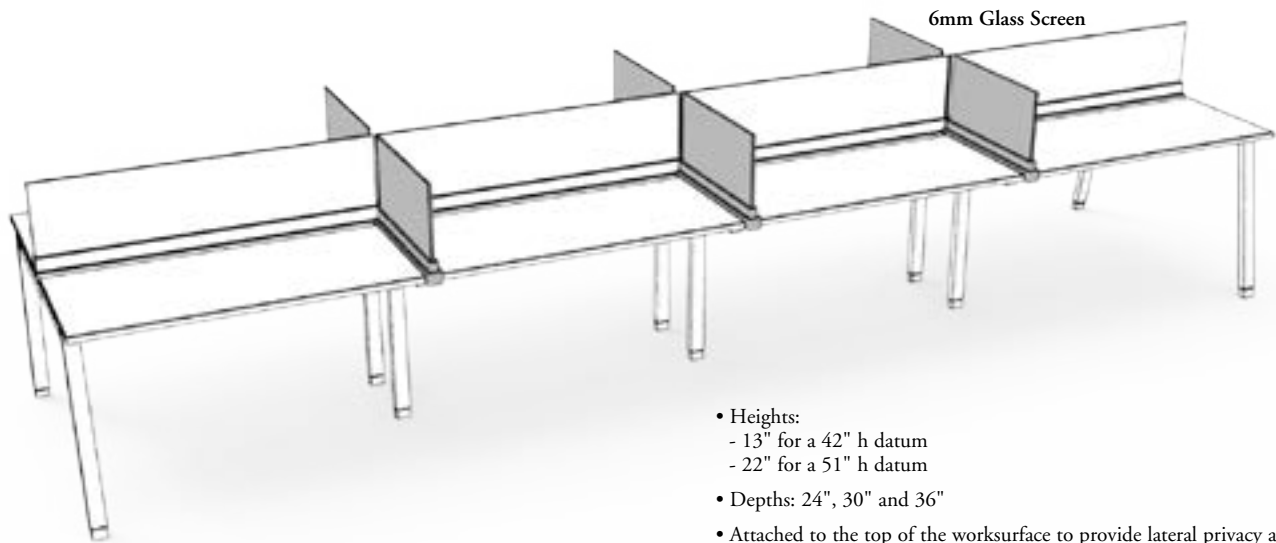
Full depth lateral casual screens are a maximum 33" wide. There is no full depth application for a 72" deep frame.



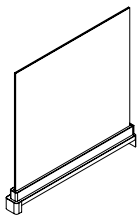
With spine mounted storage on a 72" deep Double-Sided Frame use a 33" lateral screen.

desktop lateral screen basics

Desktop Lateral Screens attach to the worksurface to provide lateral space division.

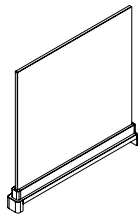


- Heights:
 - 13" for a 42" h datum
 - 22" for a 51" h datum
- Depths: 24", 30" and 36"
- Attached to the top of the worksurface to provide lateral privacy and space division at multiple heights
- Can be used on double sided, single sided, and 120 degree frames
- Can be used with all worksurface types



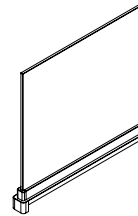
6mm Glass Lateral Screen (GNGN)

- A glass screen with straight profile which provides privacy along with lateral space division
- Screen Finish:
 - Clear
 - Frost
 - Satin



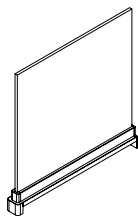
10mm Glass Lateral Screen (GNTN)

- A glass screen with straight profile which provides privacy along with lateral space division
- Screen Finish:
 - Clear
 - Frost
 - Satin



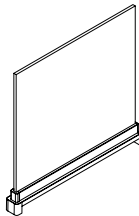
Writable Glass Lateral (GNWN)

- A writable screen with straight profile which provides privacy along with lateral space division
- Screen Finish:
 - Specialty Glass Laminate
 - Specialty Glass, Grade 7



Solid Lateral Screen (GNSN)

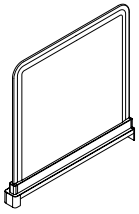
- A solid screen with straight profile which provides privacy along with lateral space division
- Screen Finish:
 - Source Laminate
 - Natural Veneer
 - Flintwood



Writable Laminate Lateral Screen (GNLN)

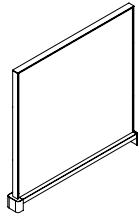
- Screen Finish:
 - Writable Laminate

desktop lateral screen basics (continued)



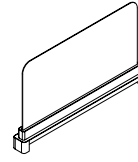
Infinity Fabric Lateral Screen (GNXN)

- A fabric screen with curved profile which provides privacy along with lateral space division
- Select Panel and Upholstery fabrics are available - please refer to the *Teknion Textiles Program Guide*.



Framed Fabric Lateral Screen (GNYN)

- A fabric screen with curved profile which provides privacy along with lateral space division
- Select Panel and Upholstery fabrics are available, please refer to the *Teknion Textiles Program Guide*.



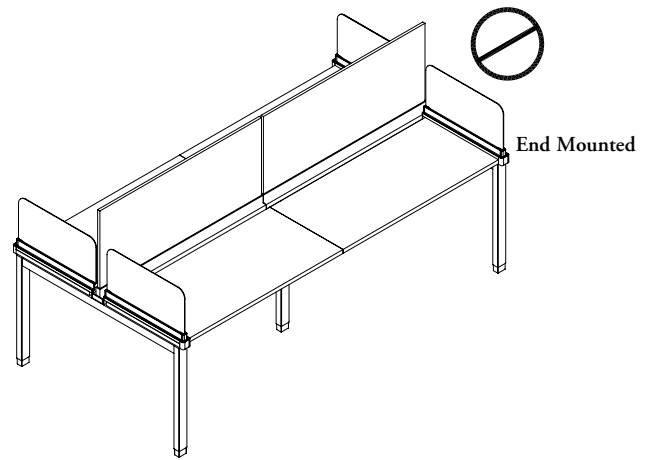
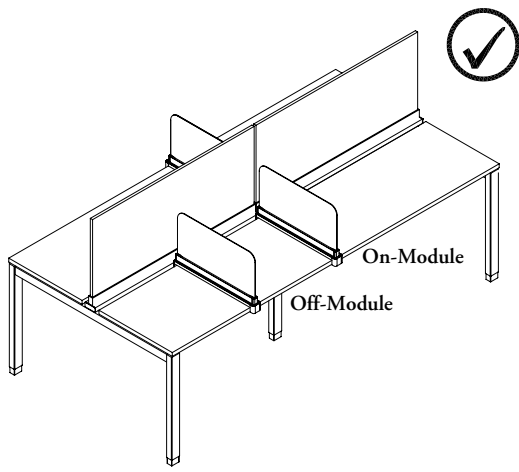
Metal Lateral Screen (GNMN)

- A metal lateral screen with curved profile which provides privacy along with lateral space division
- Available finishes:
 - Foundation
 - Mica
 - Accent

planning with desktop lateral screens

Desktop Lateral Screens can be mounted on-module and off-module, but **cannot** be mounted on an end condition.

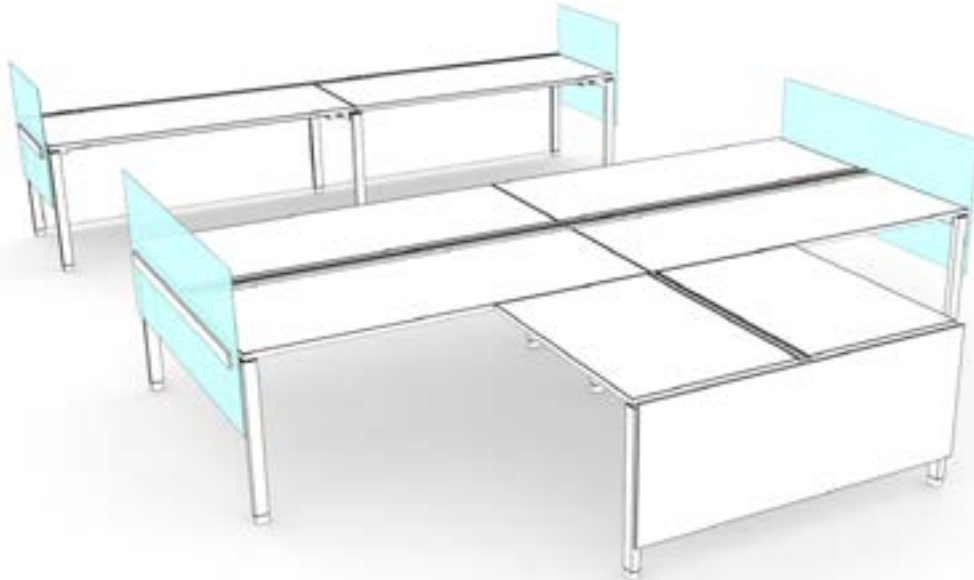
IO2



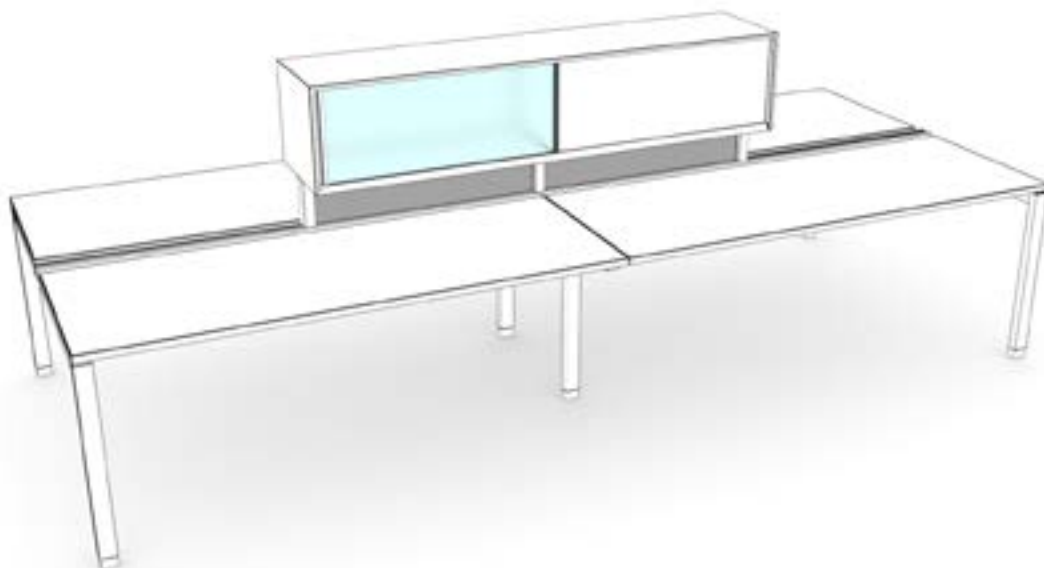
gable and stanchions overview

Gable Infills and Intermediate Leg Covers provide increased privacy at the end of a bench or between users.

gable Infills



stanchions

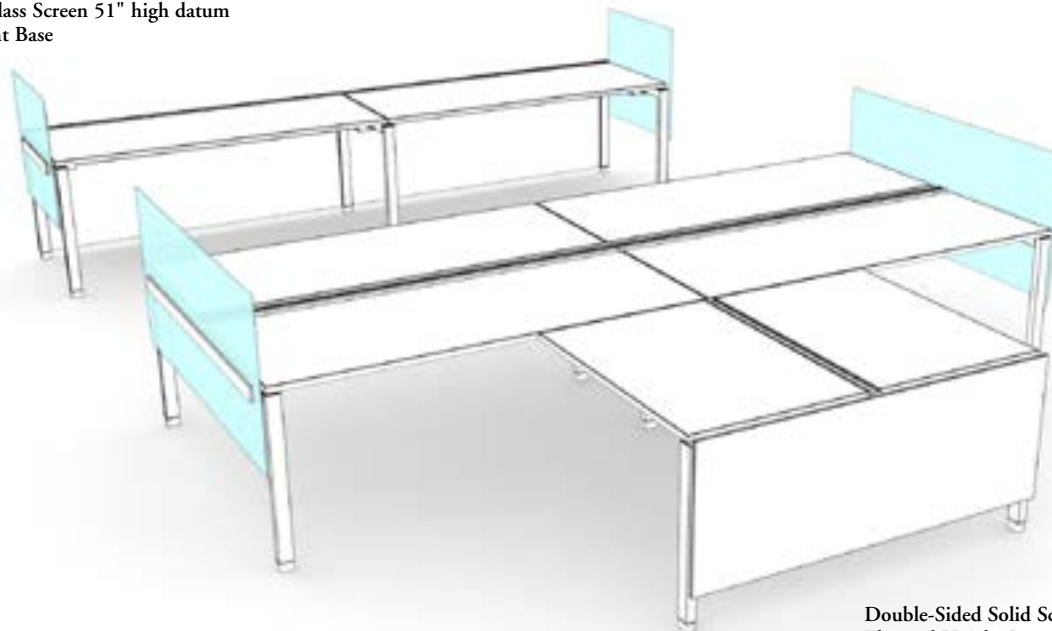


end gable overlay screen basics

End Gable Overlay Screens mount to the end gable cross beams to provide lateral or corridor privacy as a modesty or at seated height.

Single-Sided Fabric Screen 51" high datum
Modesty Height Base

Single-Sided Glass Screen 51" high datum
Modesty Height Base



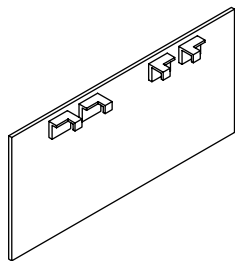
Double-Sided Glass Screen 42" high datum
Modesty Height Base

Double-Sided Solid Screen 29" high datum
Elevated Height Base

- Available for both Single-Sided and Double-Sided Frames
- Mounts to the end gable cross beams of both Single-Sided and Double-Sided Frames
- Allows for a 1/2" wire gap between the screen and the edge of the worksurface
- Glass Screens are only available with a Modesty Height Base
- Glass is available in both 6mm and 10mm thicknesses

Finishes

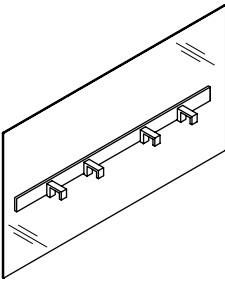
- Solid screens are available in Laminate, Seamless and Flintwood
- Glass screens are available in Clear, Frost or Satin
- Brackets are available in Foundation, Mica & Accent colors



Double-Sided End Gable Overlay – Solid (WWCBSD)

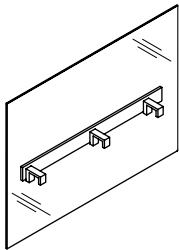
- Mounts to Double-Sided Frame End Gable or End Gable on a Return Frame for Two Worksurfaces
- Available in widths 36", 48", 60", 72" & 84"
- Can be specified with a 6" overhang or flush to the edge of the worksurface
- Provides privacy at 42" or 51" high datums or can be used as modesty at 29" high
- Base height available at Modesty Height (15" from floor), Elevated Height (6" from floor) and Floor Height (1" from floor)
- Floor Height not available for 51" high screens
- The screen is 5/8" thick
- Available with or without an Accessory Rail at the top
- The Accessory Rail can accommodate the Pencil Tray (PAX94), Binder Bin (PAX95), Media Organizer (PAX96), Vertical Organizers (PAX99, PAX100), fx Divisional Sorter (YFXD), fx Binder Bin (YFXB), fx Clock (YFXC), fx Personal Box (YFXP) and Workstation Signage (ACWS). *(Please refer to Complements: Teknion's Ergonomics & Accessories Program)*

end gable overlay screen basic (continued)



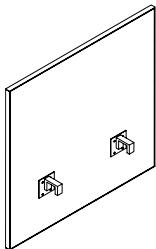
Double-Sided End Gable Overlay – Glass (WWCBGD)

- Mounts to Double-Sided Frame End Gable
- Available in widths 36", 48", 60" & 72"
- Provides privacy at 42" or 51" high datums
- Base height available at Modesty Height (15" from floor) only
- Glass is available in both 6mm and 10mm thicknesses



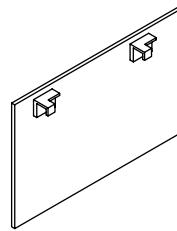
Single-Sided End Gable Overlay – Glass (WWCBGS)

- Mounts to Single-Sided Frame End Gable
- Available in widths 24", 30" & 36"
- Provides privacy at 42" or 51" high datums
- Base height available at Modesty Height (15" from floor) only
- Glass is available in both 6mm and 10mm thicknesses



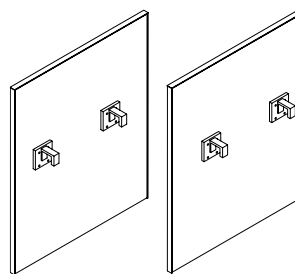
Fabric End Gable Overlay – Single (WWCBFS)

- Available in widths 24", 30" & 36"
- Must specify left or right from users perspective
- Comes flush with edge of bench
- Available with Left or Right handedness
- Base height available at Modesty Height (15" from floor), Elevated Height (6" from floor) and Floor Height (1" from floor)
- Provides privacy at 42" or 51" high datums
- Available in all Teknion Panel Fabrics and COM
- Bracket finishes are available in Foundation, Mica and Accent colors
- 15" Modesty Base height and 1" Floor Height is not available with above worksurface height 22"
- For screens with 51"H datum height, modesty base height 1" is not available
- Screens are available in Panel Fabrics & Upholstery Fabrics (please see Fabric and Finishes)



Single-Sided End Gable Overlay – Solid (WWCBSS)

- Mounts to Single-Sided Frame End Gable
- Available in widths 24", 30", 36" & 42"
- Provides privacy at 42" or 51" high datums or can be used as modesty at 29" high
- Base height available at Modesty Height (15" from floor), Elevated Height (6" from floor) and Floor Height (1" from floor)
- Floor Height not available for 51" high screens
- The screen is 5/8" thick
- Available with or without an Accessory Rail at the top
- The Accessory Rail can accommodate the Pencil Tray (PAX94), Binder Bin (PAX95), Media Organizer (PAX96), Vertical Organizers (PAX99, PAX100), fx Divisional Sorter (YFXD), fx Binder Bin (YFXB), fx Clock (YFXC), fx Personal Box (YFXP) and Workstation Signage (ACWS). (Please refer to Complements: Teknion's Ergonomics & Accessories Program)
- Must specify left or right from user's perspective
- Can be specified with a 6" overhang or flush to the edge of the worksurface

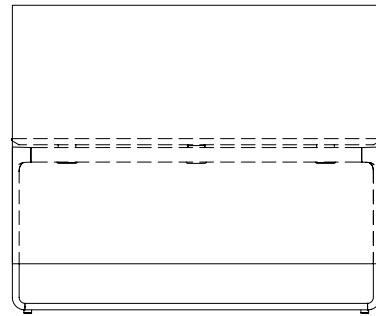
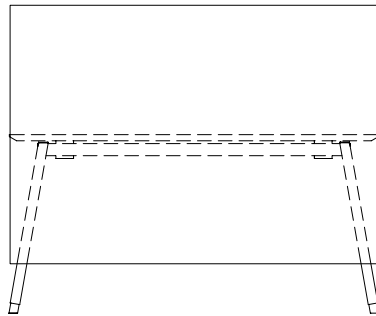
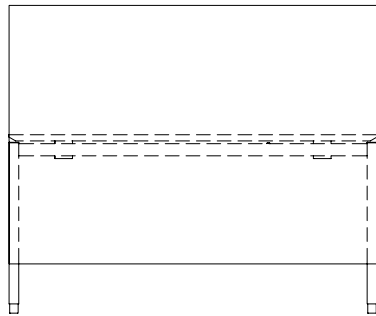


Fabric End Gable Overlay – Double (WWCBFD)

- Mounts to Double-Sided Frame End Gable
- Available in widths 36", 48", 60" & 72"
- Comes flush with edge of bench
- Base height available at Modesty Height (15" from floor), Elevated Height (6" from floor) and Floor Height (1" from floor)
- Provides privacy at 42" or 51" high datums
- Available in all Teknion Panel Fabrics and COM
- Bracket finishes are available in Foundation, Mica and Accent colors
- 15" Modesty Base height and 1" Floor Height is not available with above worksurface height 22"
- For screens with 51"H datum height, modesty base height 1" is not available

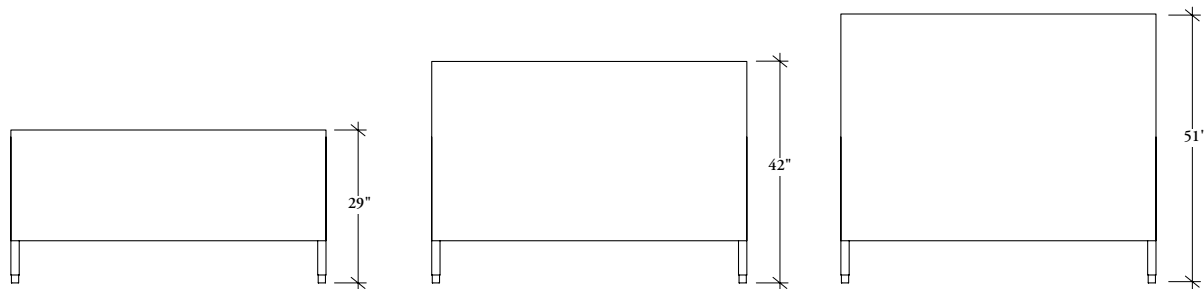
planning with end gable overlay screens

The following should be considered when planning with Overlay End Gable Screens.



Overlay End Gable Screens attach to the end gables of Straight or Angled leg styles and **cannot** be used with the Curve leg.

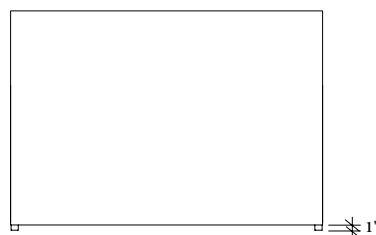
datum heights



End Gable Overlay Screens are available at 29", 42" & 51" datum heights. The 29" high datum height aligns with the worksurface height and is only available in solid finishes.

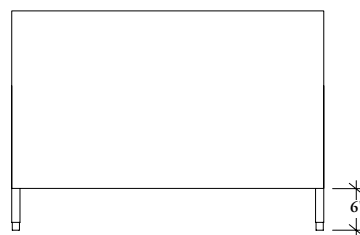
base heights

Three bottom heights are available Floor, Elevated & Modesty.



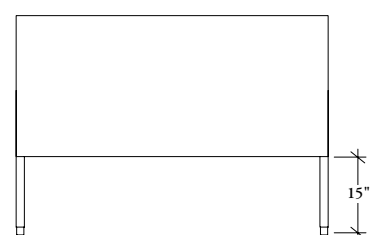
Floor Height (F)

- 1" above the floor for complete enclosure
- Not available for 51" high screens



Elevated Height (E)

- 6" above the floor
- Align with Elevated District Credenza legs or the bottom of Interpret Suspended Storage

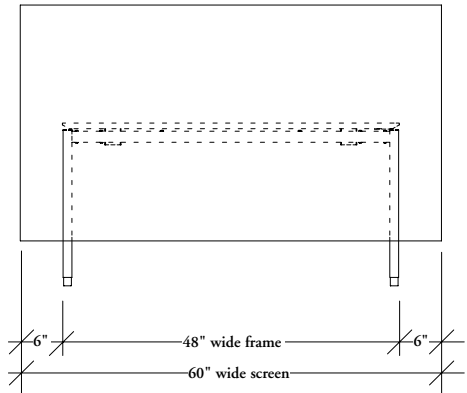


Modesty Height (M)

- 15" above the floor
- Glass Screens available with Modesty Base Height only

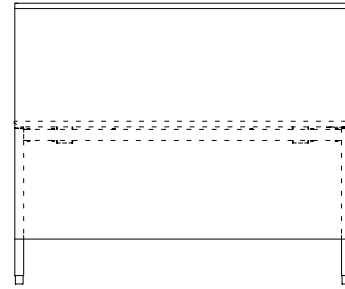
planning with end gable overlay screens (continued)

6" Overhang (WWCBSDG)

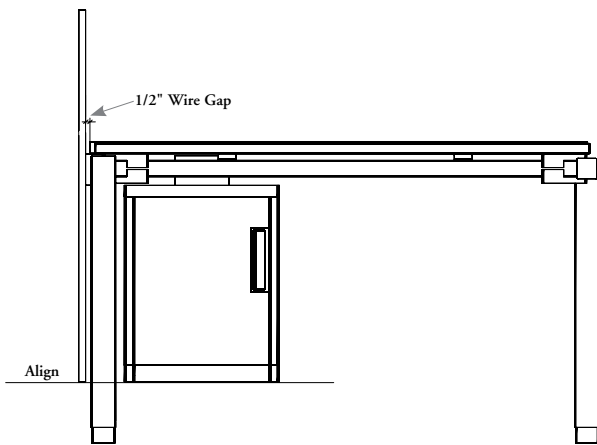


6" overhang is on both sides of the screen. Specify this screen, 12" wider than the width of the frame onto which it is being mounted. For example, on a 48" wide frame will need a 60" wide screen to create a 6" overhang on either side.

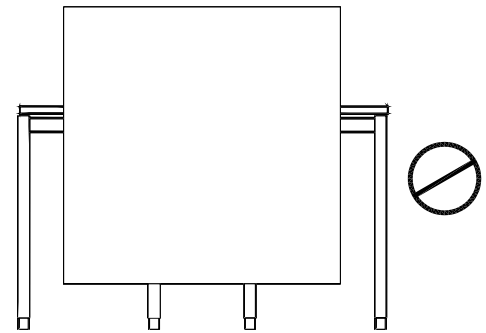
Accessory Rail (WWCBSD)



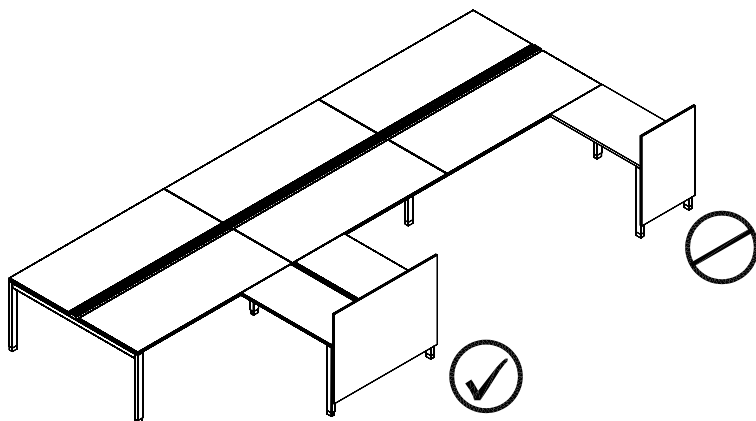
An Accessory Rail is available on screens with a solid finish.



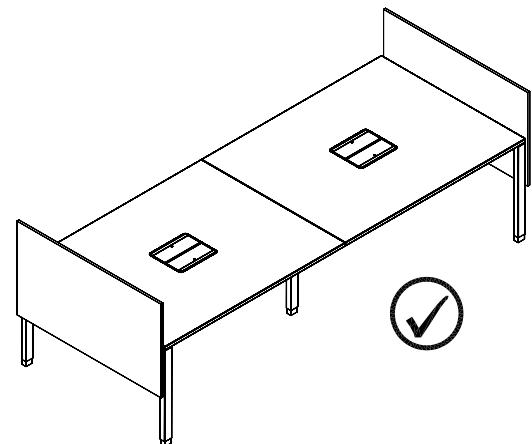
- Overlay End Gable Screens are mounted with a 1/2" wire gap from the work surface edge
- The Elevated Base Height Screen aligns with the bottom of Interpret Suspended Storage or District Elevated Storage



Overlay End Gable Screens **cannot** be specified shorter than the depth of the End Gable onto which they are being mounted.



Overlay End Gable Screens can be mounted onto the end gables of Returns with two Worksurfaces but **cannot** be mounted to end gables of Single Returns.

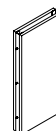
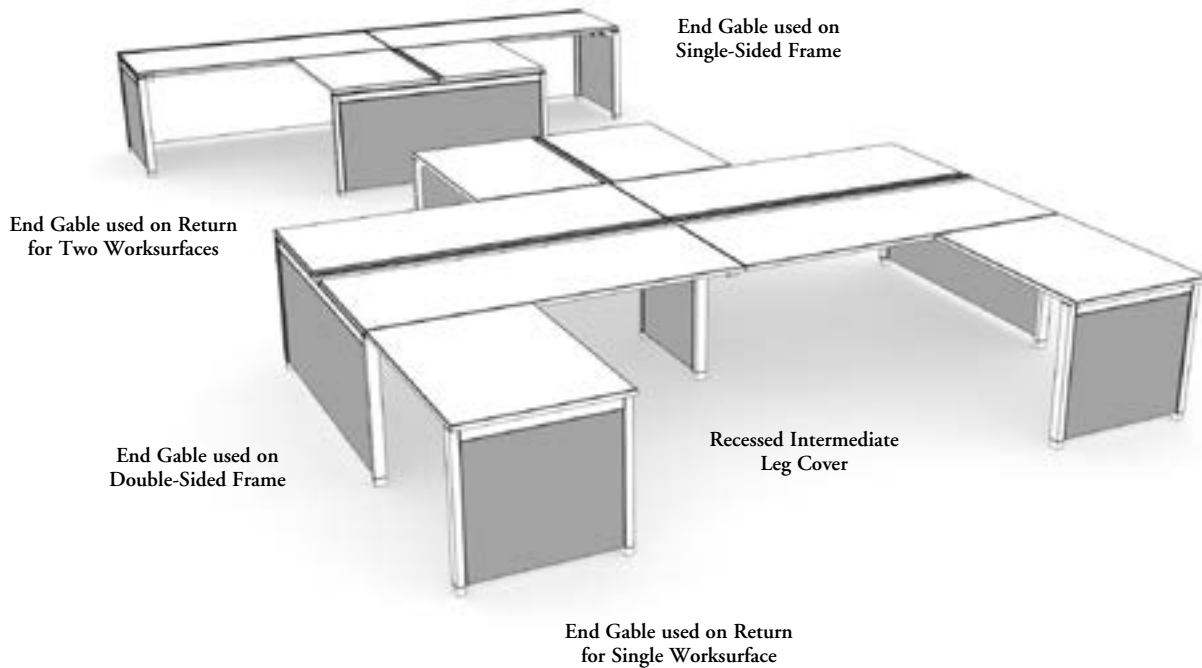


End Gable Overlay Screens can be used on Work Tables and Work Table Components.

end gable infills & leg cover basics

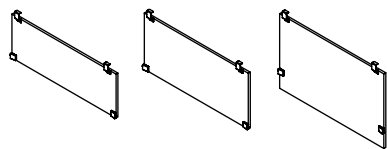
End Gable Infills and Intermediate Leg Covers provide increased privacy at the end of a bench or between users.

108



Recessed Intermediate Leg Cover (WWCMC) & Recessed Intermediate Leg Cover – Metal (WWCMCM)

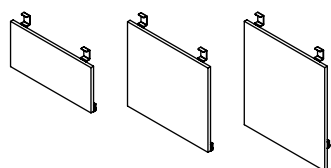
- Covers the recessed leg to provide additional privacy and enclosure and vertical power & data routing
- Available in nominal depths of 48", 60" & 72", to match the depths of the Double-Sided Frames being specified
- Available in wood, laminate and metal



Double-Sided

End Gable Infills (WWCGB) (Single-Sided or Double-Sided)

- Encloses the ends of Interpret frames with straight legs to provide additional privacy and enclosure
- End gables are **not** available for use with the Angled Leg

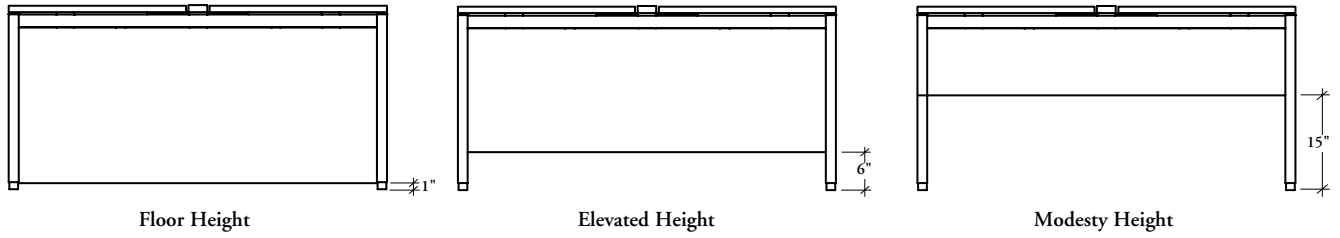


Single-Sided

- Available in three heights:
 - Modesty Height, 15" above the floor
 - Elevated Height, 6" above the floor to align with elevated credenza heights
 - Floor Height, 1" above the floor for complete enclosure
- Depths include 18", 24", 30", 36", 42", 48", 60" & 72" to align with frame sizes

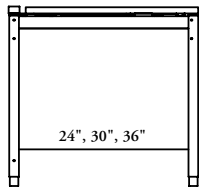
planning with end gable infills

The following should be considered when planning with End Gable Infills.



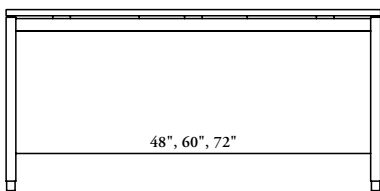
End Gable Infills are available in three heights, floor, elevated & modesty.

End gables can be used on Single-Sided and Double-Sided Frames as Return Frames.

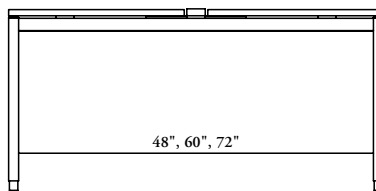


Single-Sided Frames

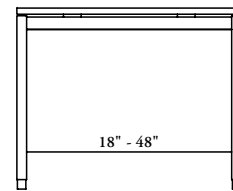
On the Single-Sided Frame the actual depth of the frame is 1" deeper than the nominal dimension, so the fills for Single-Sided Frames are **not** interchangeable with other frame styles.



Double-Sided Frame



Return Frames for Two Worksurfaces



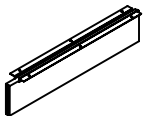
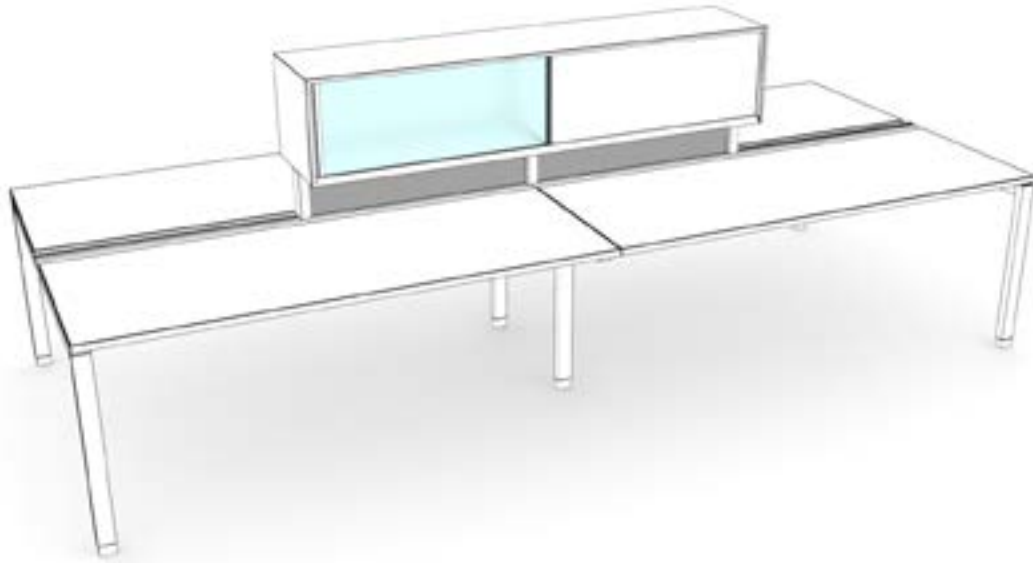
Return Frames for Single Worksurfaces

- For all other frames, the same Infill can be used
- Although the worksurface depths vary, the actual available frame sizes are the same

stanchion infill screen basics

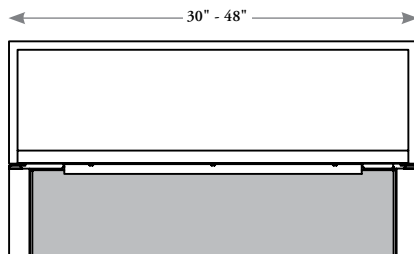
Stanchion Infill Screens are used to increase the privacy between users when Mounted Storage is used.

110

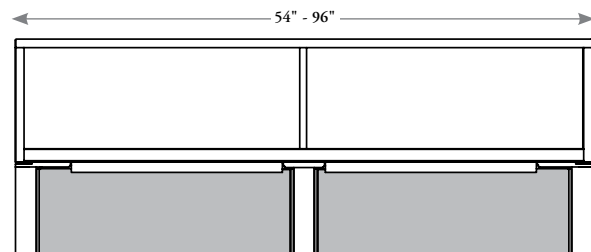


Stanchion Infill Screen (WWCSNS)

- Provides a solid or metal infill between the top of a worksurface and the bottom of a mounted storage unit
- Is 7" high and mounts between the Spine Mounted Storage Stanchions (see Mounted Storage)
- Available in widths of 36" - 48" in 3" increments, and 54" - 96" in 6" increments



Mounted Storage from 30" - 48" has two Stanchions, one on each end, so only one Infill Screen is required.

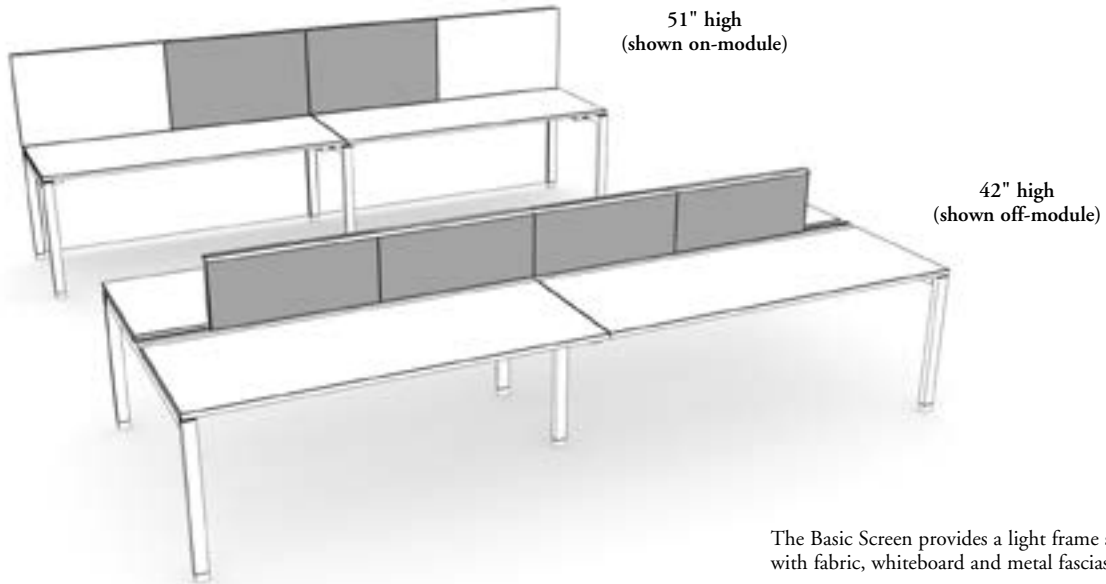


Overheads from 54" - 96" wide require three Stanchions, so when 54" to 96" infills are specified they will consist of two equally sized infills in the same finish.

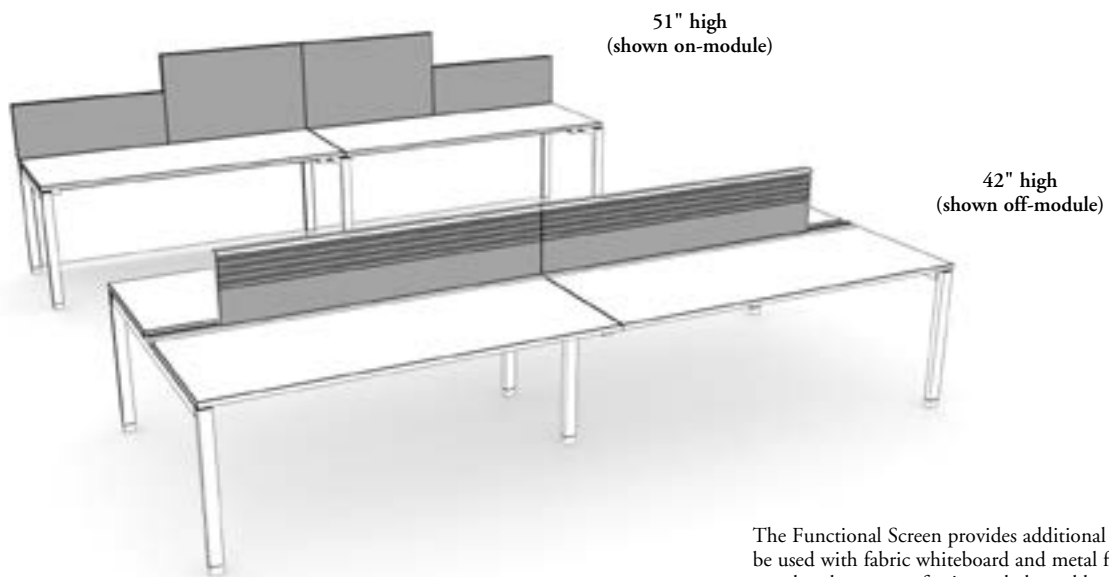
basic and functional screen overview

Interpret offers two types of functional screens, the basics screen and the functional screen. Each consists of a 13" or 22" high panel like structure with fascias to provide privacy and functionality. The two frames styles can be used together.

basic screen



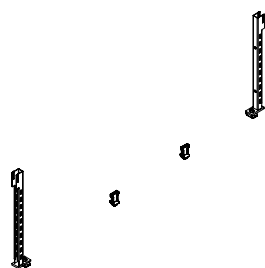
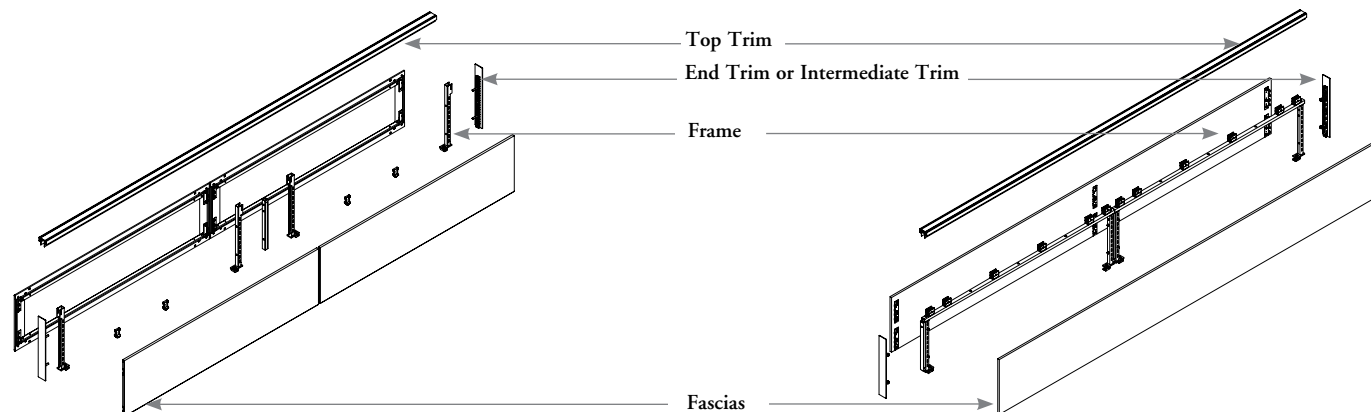
functional screen



spine screen basics

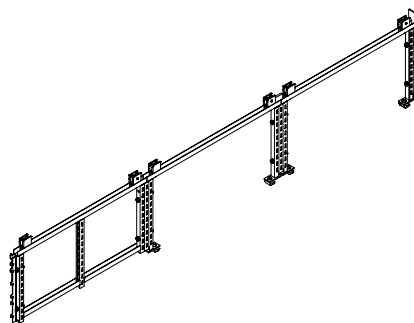
Basic and Functional Screens consists of a Frame, Top Trim, End Trim and Fascias. All components must be ordered separately.

112



Basic Spine Screen Frame (WWCVS)

- Mounts to the Accessory Beam of Interpret Benches or Return Frame for Two Worksurfaces and consists of two or four vertical posts and connectors. Frames over 48" wide will consist of four posts and a connector
- Available in widths of 24" - 96" in 6" increments
- Available in two heights, 13" & 22" to align with Teknion standard datum heights of 42" & 51"
- Can be mounted on-module or off-module



Functional Spine Screen Frame (WWCFM)

- Mounts to the Accessory Beam of Interpret Benches or Return Frame for Two Worksurfaces and consists of a frame with vertical posts and top rail. Frames over 48" wide will consist of two segments for added stability
- Available in widths of 24" - 96" in 6" increments.
- Available in two heights, 13" & 22" to align with Teknion standard datum heights of 42" & 51"
- Can be mounted on-module or off-module
- Can accommodate a Glass Add-On Screen

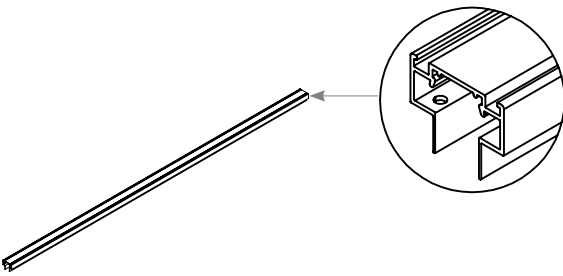


Fascia Post Kit (WWCPK)

- Required to provide additional support to the functional frame when wood or accessory fascia are used
- Available in 13" & 22" high and 24", 30", 33", 36", 39", 42", 45" & 48" - 96" wide in 6" increments to match fascia widths
- The Kit mounts vertically inside of the frame and is required for all fascia sizes

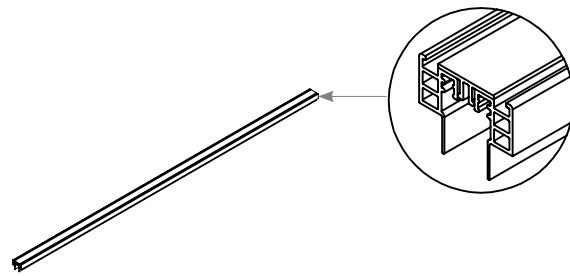
spine screen component basics

The Basic Spine Screen Frame and Functional Spine Screen Frame require Top Trim, End Trim, Intermediate Trim, Screen Connectors and Fascias to complete the screen.



Top Trim (WWCTT)

- Finishes the top of a Basic or Functional Spine screen when no Glass Add-On is required
- Available 24" - 96" wide in 6" increments
- Can span more than one frame



Top Trim - Glass (WWCTG)

- Used only on a Functional Spine Screen when a Glass Add-On is used
- Available 24" - 96" wide in 6" increments
- Can span more than one frame



End Trim (WWCET)

- Finishes the end of either a Basic Spine Screen or a Functional Spine Screen Frame
- Must be specified on each open end, and to finish all ends if screens are used off-module
- Available in two heights 13" & 22" to match frames



Intermediate End Trim (WWCNT)

- Finishes the exposed end of a 22" high frame when connected to a 13" high frame
- Available 9" high only

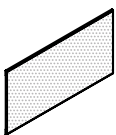


Screen Connectors (WWCVC)

- Required to connect adjoining frames
- A connector is required at each adjoining frame but not at the ends
- Available 13" and 22" high and must be specified at the lowest frame height

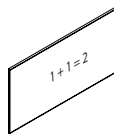
Spine Fascias (WWC)

- Fascias mount to Functional or Basic Spine Screen Frames and are available with a variety of finishes and options
- Fabric Whiteboard and Metal can be used on both screen types
- Wood and Accessory Fascias can only be used on the Functional Spine Screen



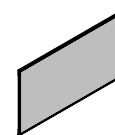
Fabric (SF)

- Provides a tackable surface
- 24" - 60" wide in 6" increments
- 13" & 22" high



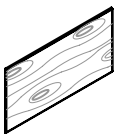
Whiteboard (SW)

- Provides a magnetic whiteboard surface
- 24" - 72" wide in 6" increments
- 13" & 22" high



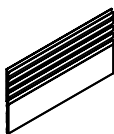
Metal (SM)

- Provides a low cost solid fascias
- 24" - 72" wide in 6" increments
- 13" & 22" high



Wood (SD)

- Provides a solid surface
- Additional vertical support posts are required for stability of this screen and are **not** included with the screen
- 24" - 60" wide in 6" increments
- 13" & 22" high



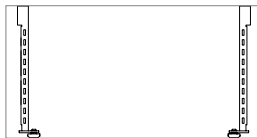
Accessory (SA)

- Provides an Accessory Rail for mounting accessories and monitor arms
- Additional vertical support posts are required for stability of this screen and are **not** included with the screen
- 24" - 72" wide in 6" increments
- 13" high only

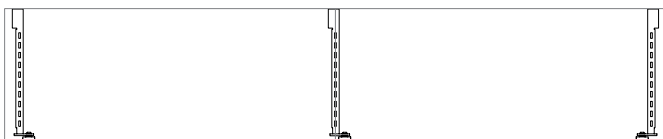
planning with spine screens

The following should be considered when planning with Spine Screens.

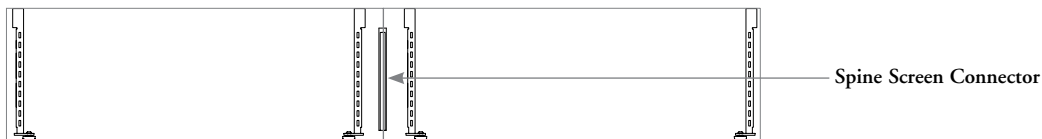
basic spine screens



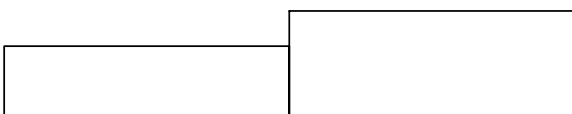
Frame widths 24" - 60" consist of 2 vertical posts and can accommodate 1 fascia on each side of the frame.



Frame widths 66" - 72" consists of 3 vertical posts and can accommodate 1 fascias on each side of the frame in either Whiteboard or Metal



Frame width 78" - 96" consists of 4 vertical posts and can accommodate 2 fascias on each side of the frame.

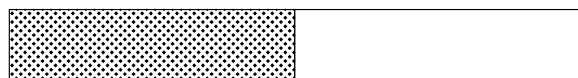


- 13" high and 22" high frames can be installed side-by-side or perpendicular to each other
- An Intermediate trim is required to finish the exposed end



36" Frame and Fabric Fascia 36" Frame and Fabric Fascia

- When a 72" Fabric Basic Screen is required, 2 x 36" wide Basic Spine Screen Frames, a Screen Connector and 4 x 36" Fabric Fascias must be specified
- It is not possible to have a 72" wide single fabric fascia



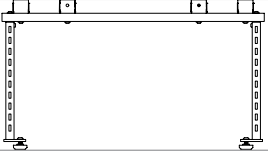
Fabric Metal/Whiteboard

For widths of 60" or less where two different fascias are desired, two smaller width frames plus a screen connector must be specified.

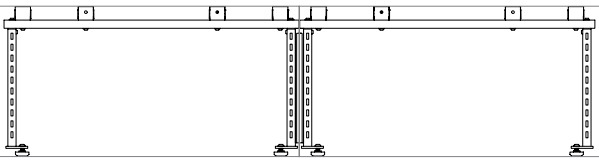
planning with spine screens (continued)

The following should be considered when planning with Spine Screens.

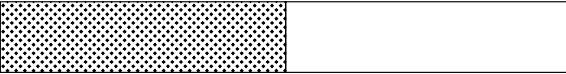
functional spine screens



Frame widths 24" - 42" consist of 2 vertical posts and can accommodate 1 fascia on each side of the frame.



Frame widths 54" - 96" consists of 4 vertical posts and can accommodate 1 or 2 fascias on each side of the frame.

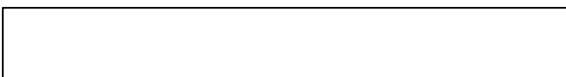


Fascias can be specified to span over the entire width of the Functional Screen, or two fascias can be specified at half the width each, and do **not** need to be the same finish.

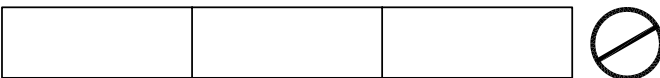
Side 1



Side 2



Fascias do **not** need to be the same on both sides of a frame, two fascias can be specified on one side of the frame, and a single fascia on the opposite side.

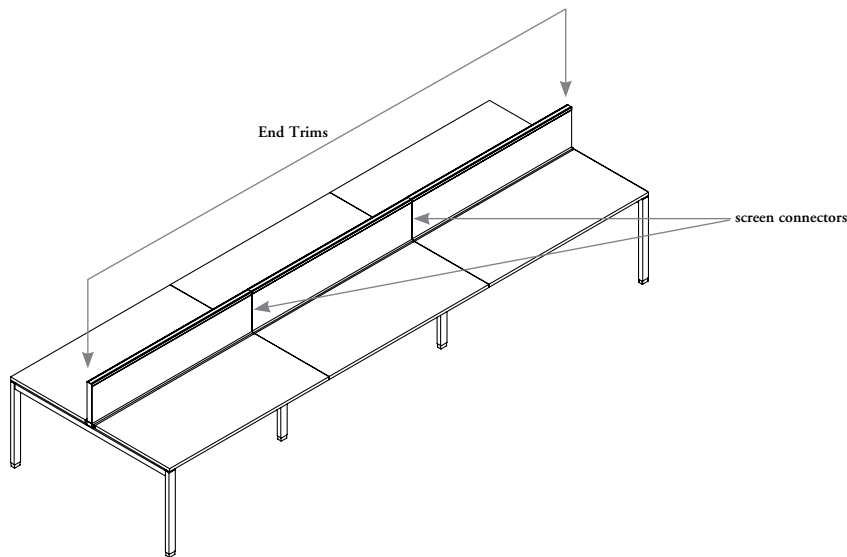


Only one or two fascias of equal size can be used on a frame. Three fascias **cannot** span one frame.

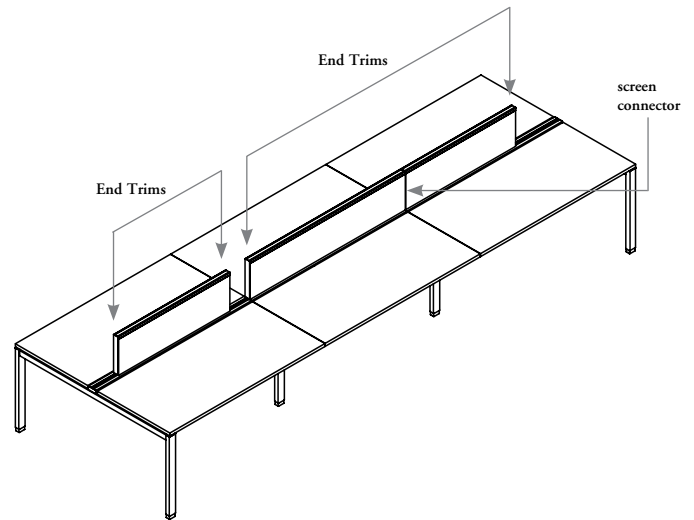
planning with spine screens (continued)

end trims and screen connectors

116

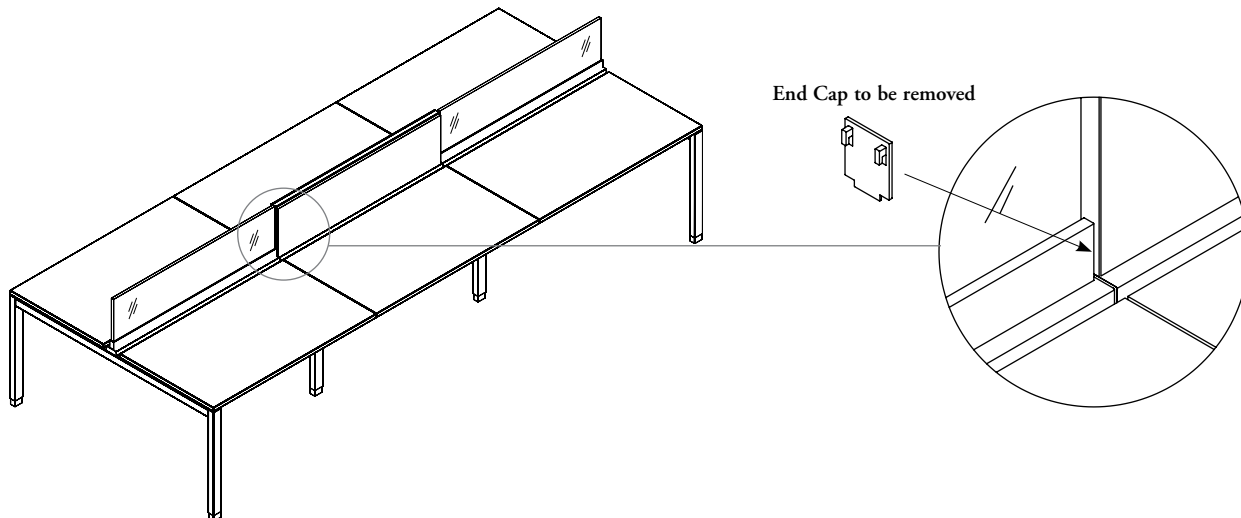


- If screens are mounted **on-module**, end trims are only required on each end
- Screen connectors are required between adjoining screens



- If screens are mounted **off-module**, an end trim is required at each open end
- Screen connector is required between adjoining screens

casual screens with spine screens

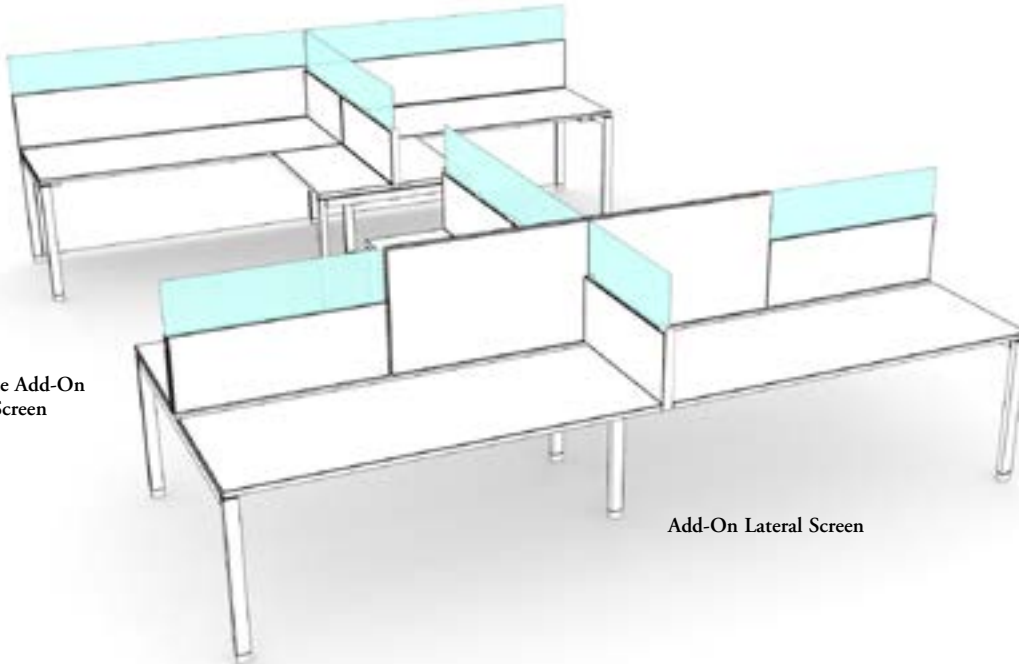


When planning with both Casual Glass Screen (WWCCG) or Solid Casual Screen (WWCCS) and Spine Screens, the end cap on the casual screen must be removed providing space for the end trim of the spine screen.

functional add-on screen basics

Add-On Screens mount to a 13" high Functional Spine Screen or Functional Lateral Screens to create a 51" high datum height for seated privacy.

Add-On Spine Screen



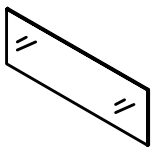
Intermediate Add-On Spine Screen

Add-On Lateral Screen

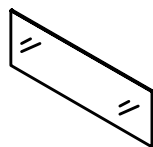
Finishes

Clear, Frost and Satin Glass.

- It is **not** recommended that the Add-On Screens be mounted to a 22" high Functional Screen as it will **not** support standard Teknion datum heights
- Add-On Screens are available 24" - 96" wide and can be applied on-module or off-module
- Add-On Screens **cannot** be mounted on the Basic Spine Screens

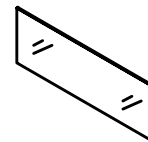


Add-On Spine Screen – Glass (WWCGS)
Used on the Functional Spine Screen only.



Intermediate Add-On Spine Screen – Glass (WWCGN)

- Used on the Functional Spine Screen in change of height application
- The screen is sized to allow for the thickness of the Intermediate End Trim on an adjacent 22" high Functional Spine Screen



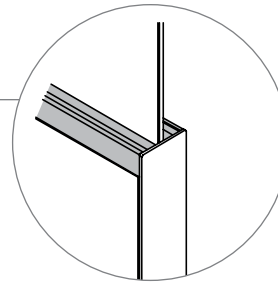
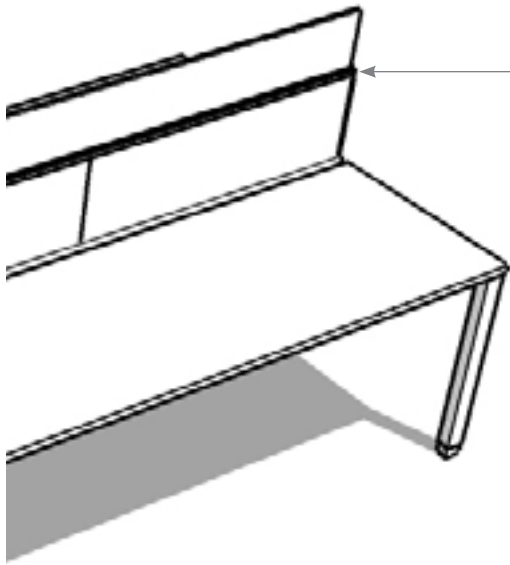
Add-On Lateral Screen – Glass (WWCGL)

- Used on the Functional Lateral Screen only
- Can be used on either the (D) Depth Only or (R) Depth and Return Lateral Screen; the add-on will span across both sections of the screen

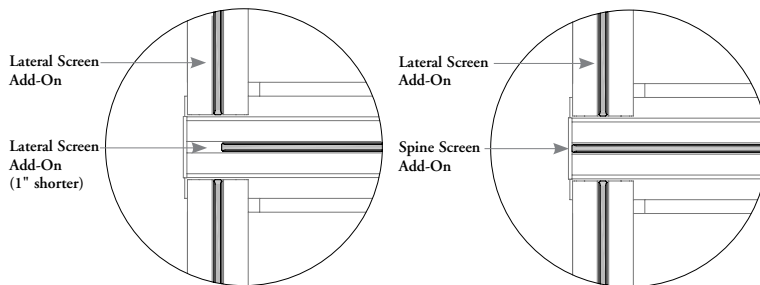
planning with functional add-on screens

The following should be considered when planning with Functional Add-On Screens.

118



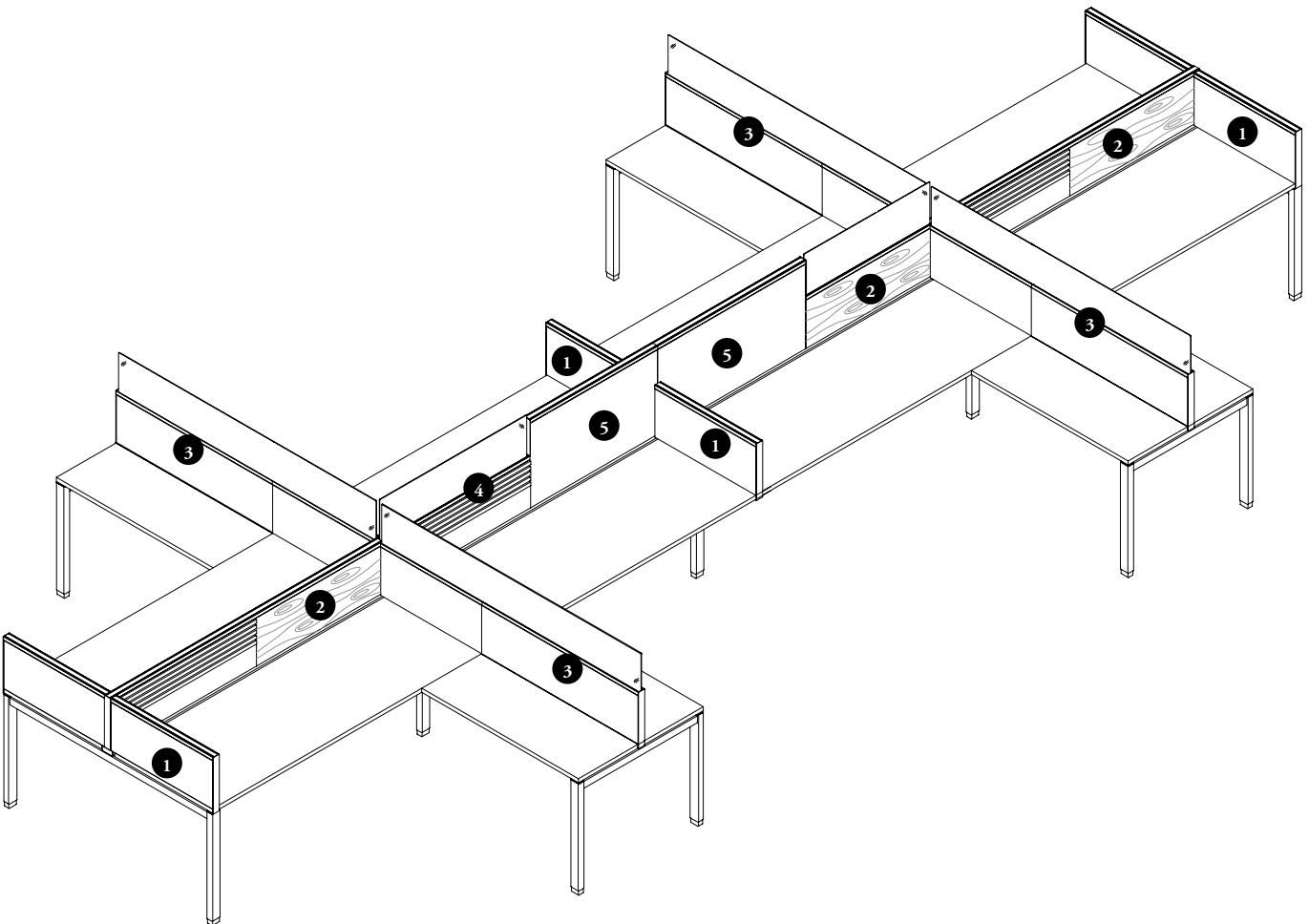
The Top Trim – Glass (WWCTG) must be used when Add-On Screens are specified. It mounts only to a Functional Screen Frame.



- It is recommended that the Glass Add-on Spine Screen be used with Spine Screens and Glass Add-On Lateral Screen be used with Lateral Screens, however they can be interchanged in specific applications
ex. Three-Way Connection
- The Glass Add-On Lateral Screen is 1" shorter than the Glass Add-On Spine Screen so by specifying a Lateral Add-On Screen on the Spine Screen, the three Glass Add-Ons will align
- If the standard Spine Screen Add-Ons were used, it will extend beyond the Lateral Screens

blending basic, functional & add-on screens

Basic, Functional and Add-On Screens can be used on the same application. It is recommended that Basic Screen be used for the majority screen applications and the functional screens be used when Wood Fascias, Accessory Fascias or Add-On Screens are required.

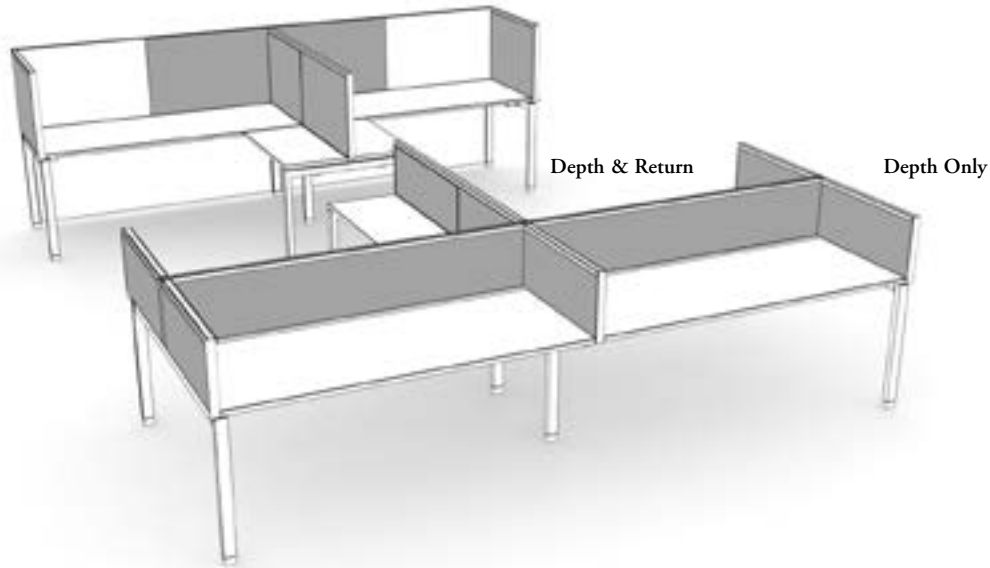


- 1 Basic Lateral Screen Frame (WWCVL) with Fabric and Whiteboard Fascias (WWCLF & WWCLW) with Top Trim (WWCTT)
- 2 Functional Spine Screen Frame (WWCFM) with Accessory and Wood Fascias (WWCSA & WWCSA) and Top Trim (WWCTT)
- 3 Functional Lateral Screen Frame (WWCFL) with Whiteboard and Fabric Fascias (WWCLW & WWCLF), Top Trim – Glass (WWCTG) and Add-On Lateral Screen – Glass (WWCGL)
- 4 Functional Spine Screen Frame (WWCFM) with Spine Accessory Fascia (WWCSA), Top Trim – Glass (WWCTG) and Intermediate Add-On Spine Screen – Glass (WWCGN)
- 5 Basic Spine Screen Frame (WWCVS) with Fabric Fascia (WWCSF), Top Trim (WWCTT) and Intermediate End Trim (WWCNT)

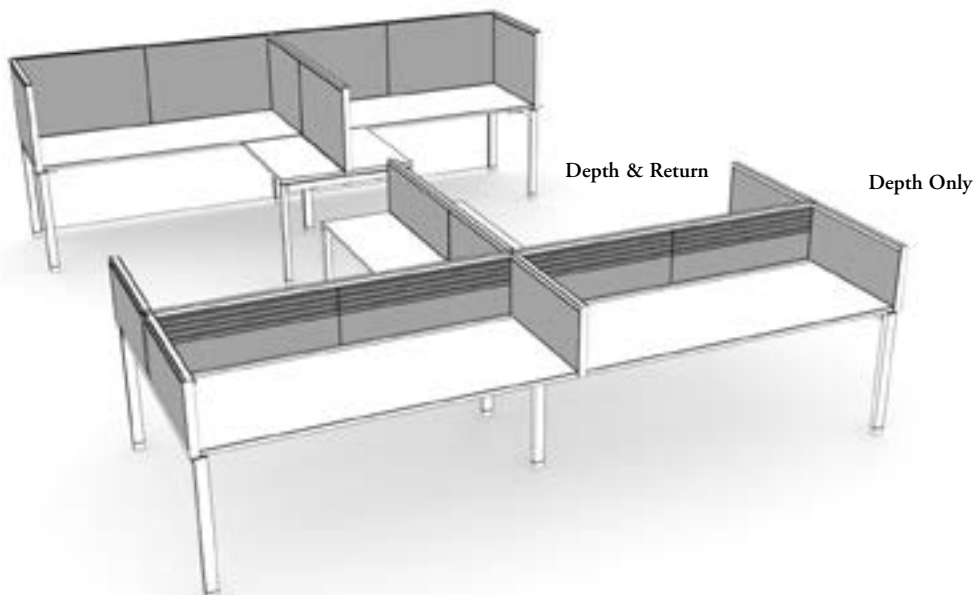
lateral screen overview

Basic and Functional Lateral Screens mount perpendicular to Spine Screens and attach to worksurfaces and return worksurfaces. They consist of a panel like frame structure with fascias similar to the spine frame to provide visual privacy and functionality.

basic lateral screen

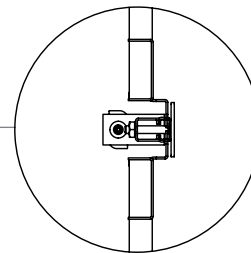
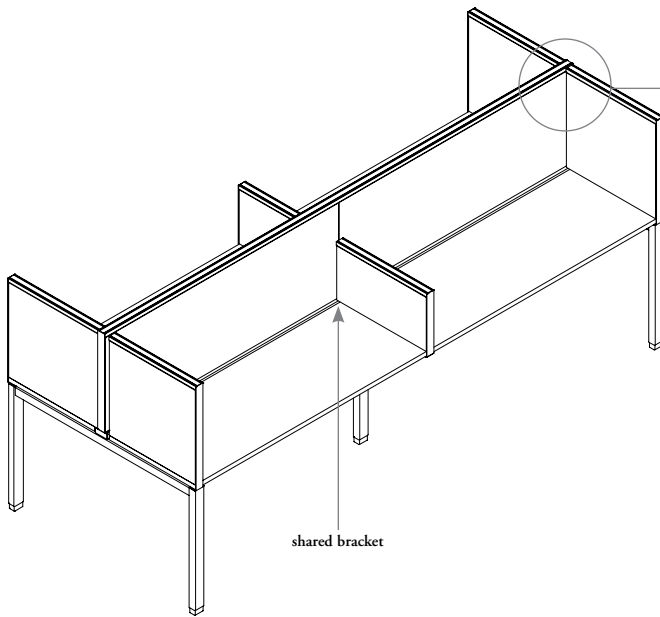


functional lateral screen

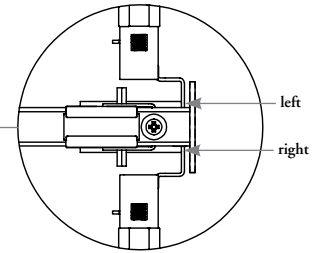


lateral screen basics

Lateral Screens are available depth only and depth and return applications and consist of a frame top trim and fascias. All components must be ordered separately.



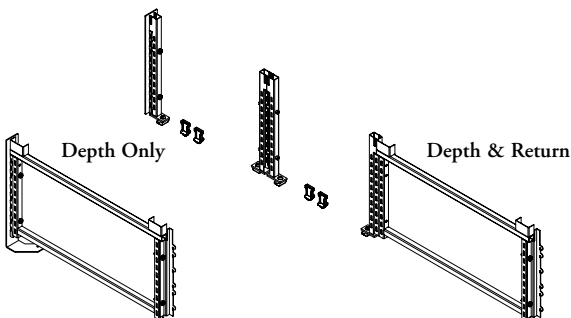
Basic Lateral Screen



Functional Lateral Screen

- Functional Lateral Screens attach on-module to Functional Spine Screens or Basic Spine Screens
- Brackets are available for Shared, Left and Right applications
- The left and right bracket condition align the Lateral Screen with the edge of a worksurface and the Shared bracket condition aligns Lateral Screens between two adjacent Spine Screens
- The End Left (L) and End Right (R) bracket conditions are only available on the Depth Only (D) version of the Lateral Functional Screen
- Only Shared (S) bracket condition is used on the Depth and Return (R) screen application
- Lateral Functional or Basic Screens do not have to be the same height as the spine

basic lateral screen

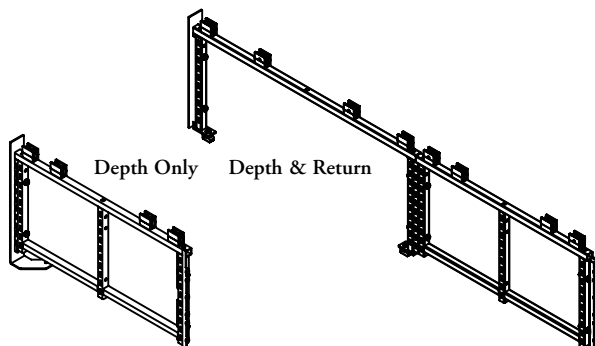


Basic Lateral Screen Frame (WWCVL)

- Used laterally on worksurfaces to provide privacy and functionality between side by side users
- Two options are available: Depth Only (D) and Depth and Return (R)
- Top trims must be specified separately, End Trims are included
- The lateral screen uses the same top trim as the spine screen but should be specified for use with lateral application
- The Depth Only option mounts to the spine and worksurface only
- Depths Only lateral frames match worksurface depths of 24", 30" & 36" and require a fascia on each side
- The Depth & Return (R) option mounts to the spine and the return for two worksurfaces

- Depth and Return (R) configuration match the spine worksurface depth and the back-to-back worksurface width combined
- Both options are available 13" & 22" high to match standard Teknion datum heights of 42" & 51"
- Fascias are specified to fit into each section. Four fascias (two for each side) are required
- The depth is determined by the worksurface depths of 24", 30" & 36", and the Return Frame for Two Worksurfaces depths of 24" - 72" in 6" increments

functional lateral screen



Functional Lateral Screen Frame (WWCFL)

- Used laterally on worksurfaces to provide privacy and functionality between side by side users
- Two options are available: Depth Only (D) and Depth and Return (R)
- The Depth Only option mounts to the spine and worksurface only
- The Depth & Return (R) option mounts to the spine and the return for two worksurfaces
- Both options are available 13" & 22" high to match standard Teknion datum heights of 42" & 51"
- Top trims must be specified separately, End Trims are included

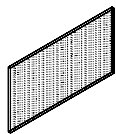
- Depths Only spine frames match worksurface depths of 24", 30" & 36" and require a fascia on each side
- Depth and Return (R) configuration match the spine worksurface depth and the back-to-back worksurface width combined
- Fascias are specified to fit into each section. Four fascias (two for each side) are required
- The depth is determined by the worksurface depths of 24", 30" & 36", and the Return Frame for Two Worksurfaces width of 24" - 72" in 6" increments
- Only the functional lateral screen can accommodate the glass add-on screens

lateral screen component basics

Lateral Fascias (WWC)

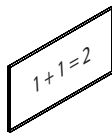
- Fascias mount to Functional or Basic Lateral Screen Frames frame and are available with a variety of finishes and options
- The correct option must be chosen for each Fascia type (Depth Only or Return Only), they are **not** interchangeable
- Fascias are required on each side of the frame
- Fabric Whiteboard and Metal can be used on both screen types
- Wood and Accessory Fascias can only be used on the Functional Spine Screen

I22



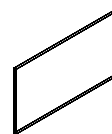
Fabric (LFD) for Depth Only or Fabric (LFR) for Return Only

- Provides a tackable surface
- Depth Only: 24", 30" & 36" wide
- Return Only: 30" - 60" (in 6" increments)
- Fascias are available 13" & 22" high



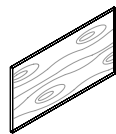
Whiteboard (LWD) for Depth Only or Whiteboard (LWR) for Return Only

- Provides a magnetic whiteboard surface
- Depth Only: 24", 30" & 36"
- Return Only: 30" - 72" (in 6" increments)
- Fascias are available 13" & 22" high



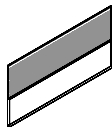
Metal (LMD) for Depth Only or Metal (LMR) for Return Only

- Provides a low cost alternative to wood fascias
- Depth Only: 24", 30" & 36"
- Return Only: 30" - 72" (in 6" increments)
- Fascias are available 13" & 22" high



Wood (LDD) for Depth Only or Wood (LDR) for Return Only

- Provides an solid surface
- Additional vertical support posts are required for stability of this screen and are **not** included with screen
- Depth Only: 24", 30" & 36" wide
- Return Only: 30" - 60" (in 6" increments)
- Fascias are available 13" & 22" high

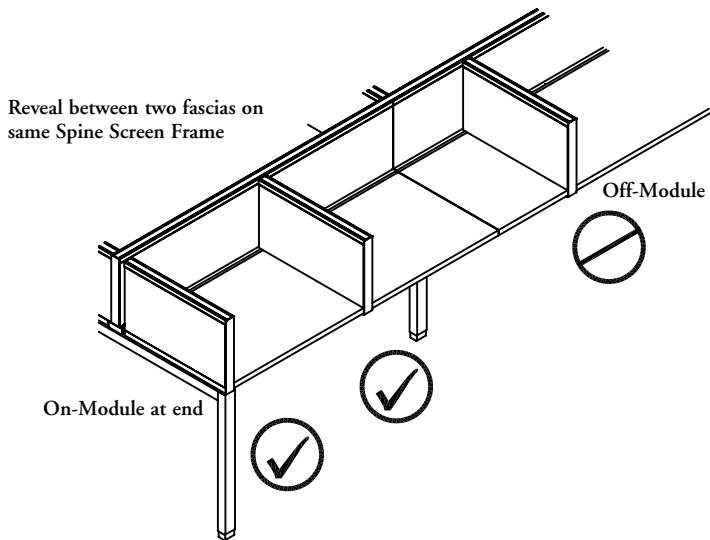


Accessory (LAD) for Depth Only or Accessory (LAR) for Return Only

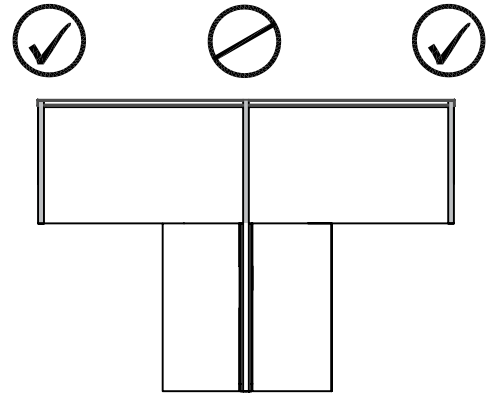
- Provides an Accessory Rail for mounting accessories and monitor arms
- Additional vertical support posts are required for stability of this screen and are **not** included with screen
- Depth Only Fascias: 24", 30" & 36"
- Return Only: 30" - 72" (in 6" increments)
- Fascias are available 13" high only

planning with lateral screens

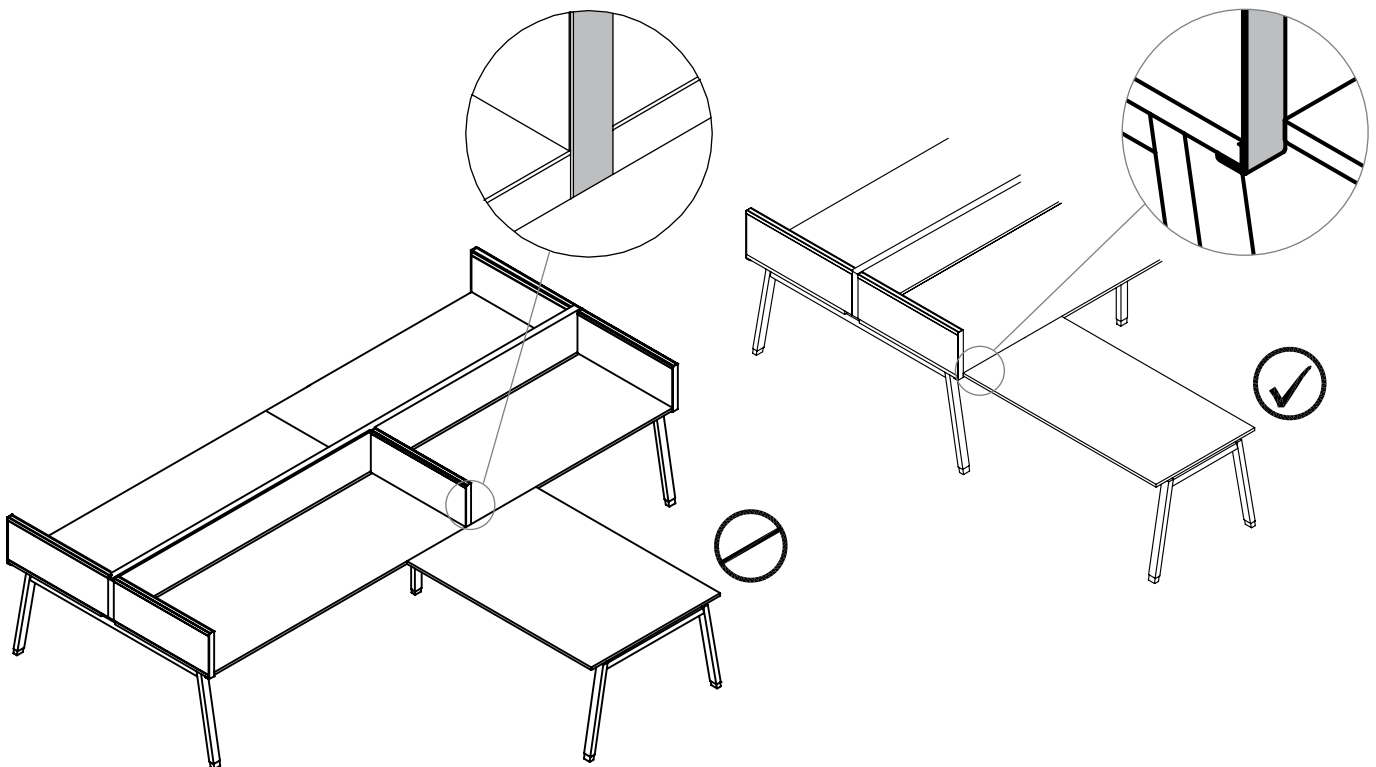
The following should be considered when planning with Lateral Screens.



- The Depth Only (D) Lateral Screens can be mounted on-module to the end of a Spine Screen, where two Spine Screens meet or when two fascias are used on one Spine Screen Frame
- They **cannot** be mounted off-module on the Spine Screen

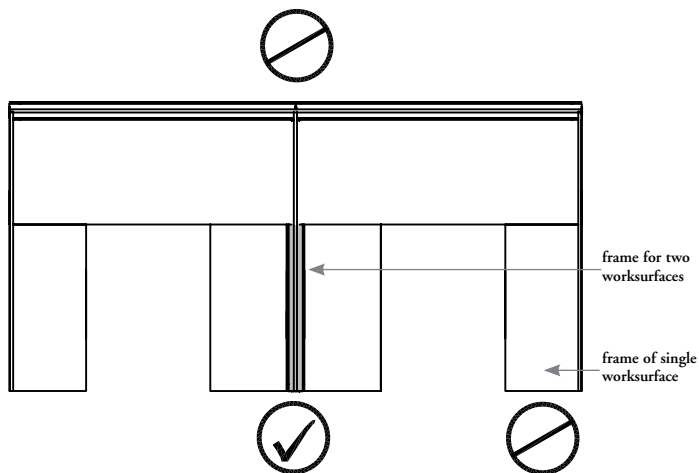


- The Depth Only (D) Lateral Screen can only be used on the Spine Worksurface
- It **cannot** be used with a Return Frame for Single Worksurface or Return Frame for two worksurfaces

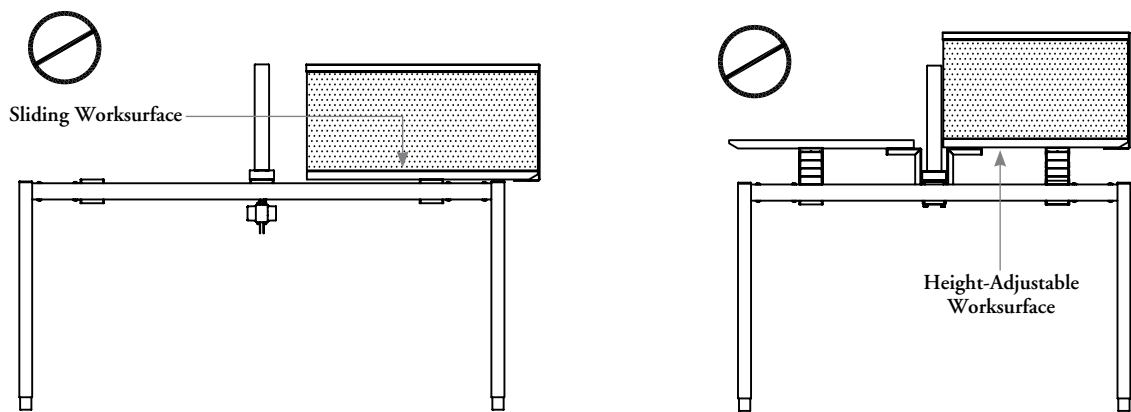


- The End Trim of the Lateral Screen wraps around the user edge of the spine worksurface so Return Worksurfaces **cannot** be used when the Lateral Screen option is specified
- If a Return Worksurface is required it will have to be offset by the thickness of the screen

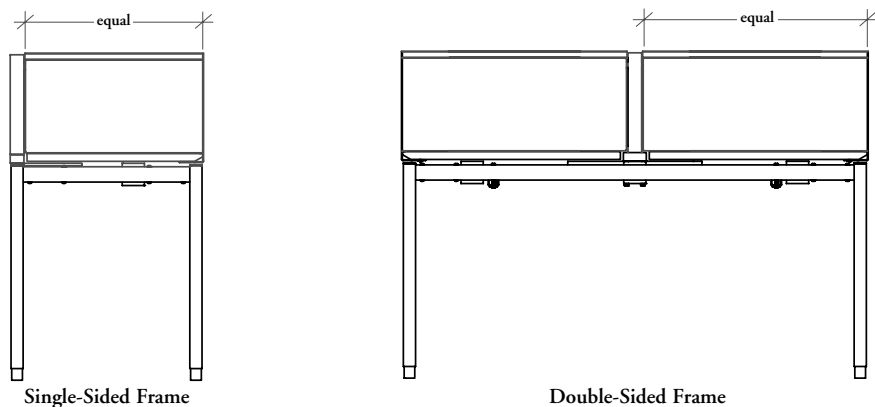
planning with lateral screens (continued)



The Depth and Return (R) Lateral Screen can only be used with the Return Frame for Two Workspaces, it **cannot** be used with the Return Frame For Single Workspaces.



Lateral Screens **cannot** be used with Sliding Worksurfaces or Height-Adjustable Worksurfaces because the Screens must attach to the Spine Screen.



Lateral Functional Screens are compatible with both Single-Sided and Double-Sided Frames
 The Single-Sided Frame depth allows the same screens to be used on both frame types

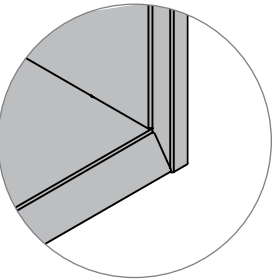
storage & accessories

storage & accessories

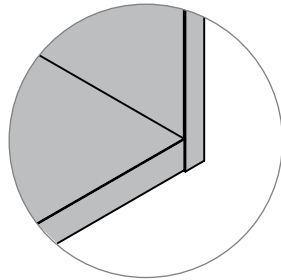
UNDERSTANDING OVERHEAD STORAGE	129
STANCHION & SHELF STORAGE BASICS	130
OVERHEAD STORAGE BASICS	131
PLANNING WITH OVERHEADS & STORAGE STANCHIONS	132
METAL OVERHEAD STORAGE FINISHES	134
WOOD OVERHEAD STORAGE FINISHES	136
END MOUNTED STORAGE BASICS	137
PLANNING WITH END MOUNTED STORAGE	139
WOOD LATERAL STORAGE BASICS	140
PLANNING WITH WOOD LATERAL STORAGE	141
METAL LATERAL STORAGE BASICS	143
PLANNING WITH METAL LATERAL STORAGE	144
PLANNING WITH LATERAL STORAGE	146
SUPPORT TOWER STORAGE FINISHES	149
INTEGRATING FREESTANDING STORAGE	150
CREDENZA BASICS	153
CREDENZA OPEN SECTION & DRAWER WIDTHS	156
CUBBY BASICS	160
PEDESTAL BASICS	162
PLANNING WITH CUBBIES & PEDESTALS	164
CREDENZA FINISHES	169
CUBBY FINISHES	170
PEDESTAL FINISHES	171
GRAIN DIRECTION	172
LOCK CHART	175
ACCESSORY BASICS	176
PLANNING WITH ACCESSORIES	178
ACCESSORY DOCK BASICS	180
PLANNING WITH ACCESSORY DOCK	181
INTEGRATING MAST MONITOR ARMS	182

understanding overhead storage

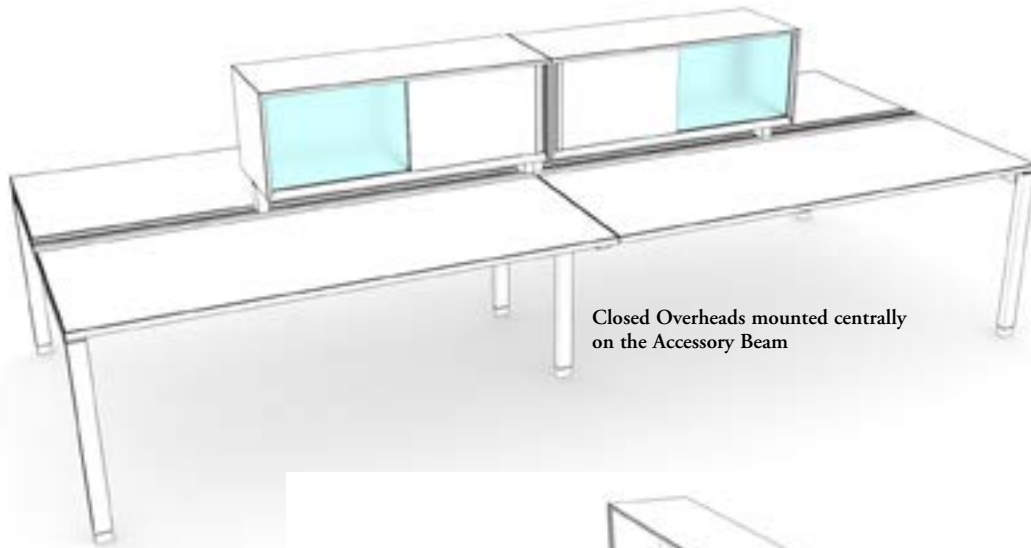
Overheads are available in open and closed configurations with metal and wood finish options. They can be mounted, with Stanchions to the center Accessory Beam to provide upmounted storage or can be mounted laterally using Lateral Mounted Storage Brackets and supported with a Support Locker, to provide lateral storage and space division.



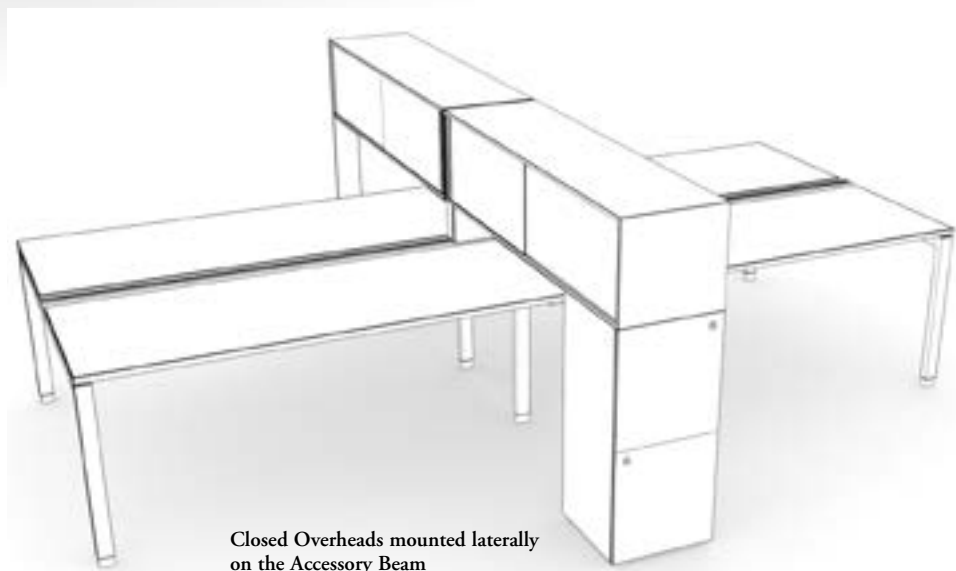
Angled Metal Edge Detail
On the front bottom edge.



Flat Wood Edge Detail
Matches District Storage profile and finish protocol.

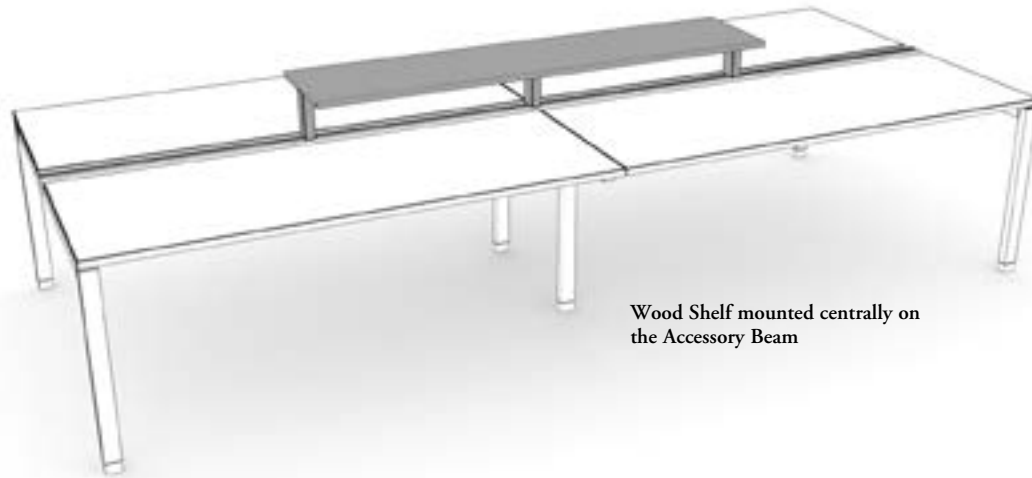


Closed Overheads mounted centrally on the Accessory Beam



Closed Overheads mounted laterally on the Accessory Beam

stanchion & shelf storage basics

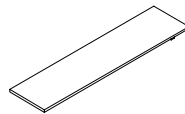


Wood Shelf mounted centrally on the Accessory Beam



Overhead Mounted Storage Stanchions (WWGT)

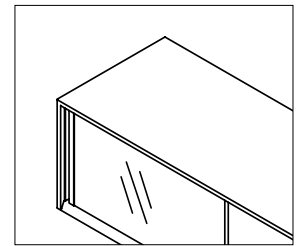
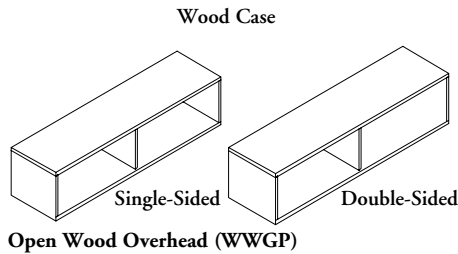
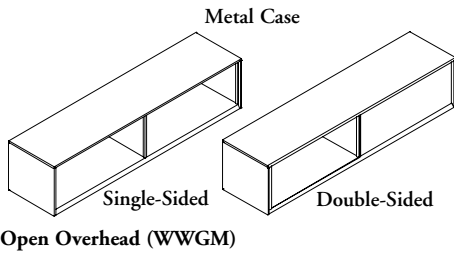
- Mount to the Accessory Beam to support Overhead and Wood Shelves
- Available in heights of 4" & 7" so when used with Mounted Storage will provide typical Teknion datum heights of 42" & 51"
- The number of Stanchions required will depend on the width of the overhead cabinet or shelf
- Finished in Foundation, Mica & Accent



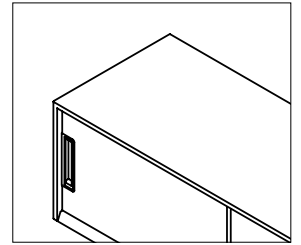
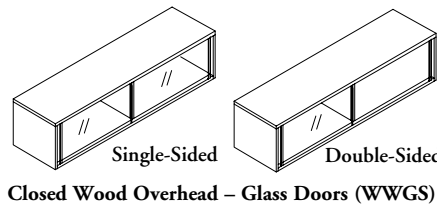
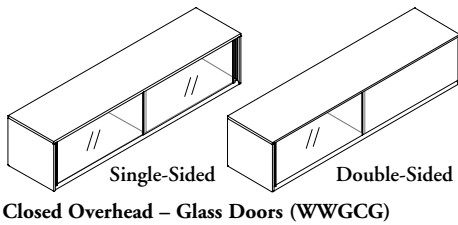
Wood Shelf (WWGF)

- A spine mounted shelf is available to provide additional storage
- Available in laminate, wood and seamless finishes
- Wood and seamless is available in widths from 30" - 96"
- Source laminate is available in widths from 30" - 90"
- The shelf is **not** available in Metal
- Can be used with 4" & 7" Stanchions
- Does **not** aligned with standard datums

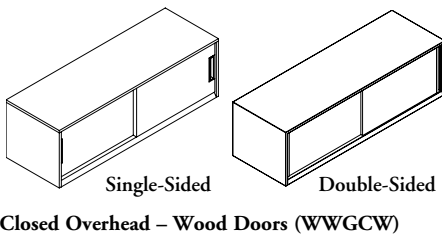
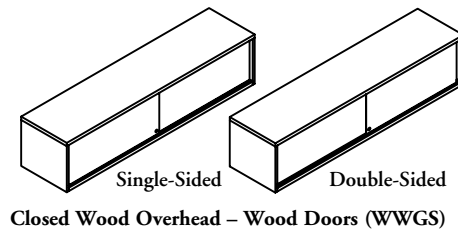
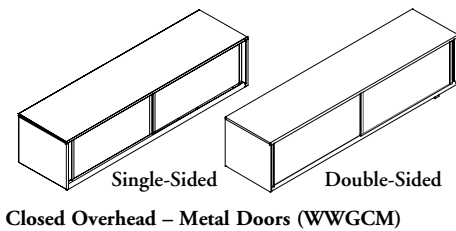
overhead storage basics



Glass door with District style door handle only



Solid door with Interpret style door handle. Solid doors can also have District style door handle.



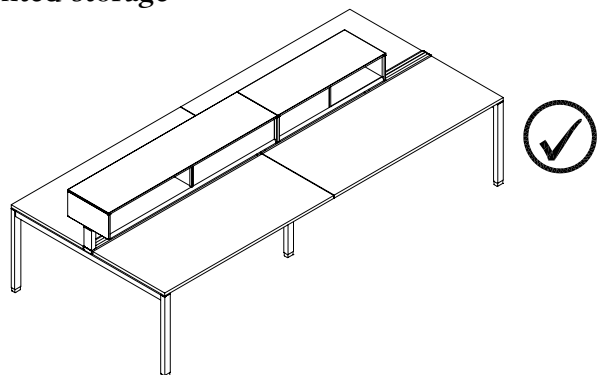
Overheads (WWG_)

- Available in Metal and Wood case construction and single-sided or double-sided application
- Available open or closed with Sliding Doors
- Closed metal overheads with metal and wood doors can be specified with an Interpret or District style handle
- Glass doors **cannot** be specified with Interpret style door handle.
- Heights include 9" & 15" so when used with stanchions or support towers typical Teknion datum heights of 42" & 51" are achieved
- 9" high overheads are used to achieve 42" datum heights and are only available in open formats
- 15" high overheads are used to achieve 51" datum heights and are available in both open and closed formats
- All cabinets are 16" deep
- Metal case overheads are available 30" - 72" wide in 6" increments. Additionally two 39" wide overheads can be used to create 78" wide mounted storage. Two 45" wide overheads can be used to create 90" wide mounted storage
- Wood case and seamless case overheads are available 30" - 96" wide in 6" increments
- Source laminate is available from 30" - 90" wide in 6" increments
- Metal storage provides the option for whiteboards or tackboards on the back of the cabinet
- Single-sided applications with doors will have two doors, and double-sided applications with doors will have one door on each side
- Closed Wood Overheads (WWGS) **cannot** be specified with Interpret door handles

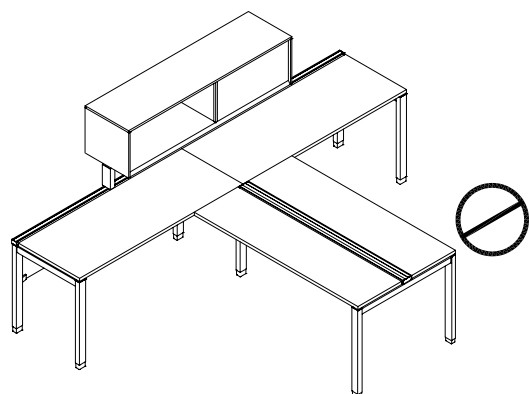
planning with overheads & storage stanchions

The following should be considered when planning with Interpret overheads & stanchions.

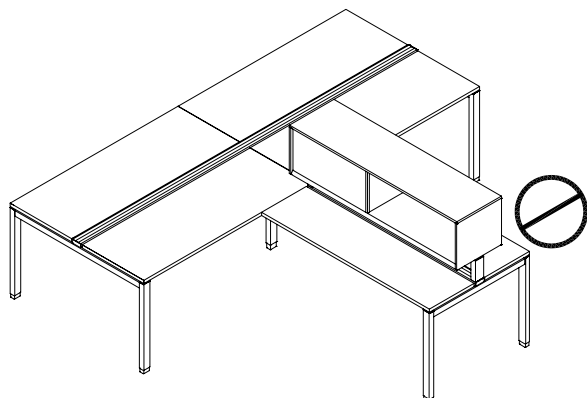
mounted storage



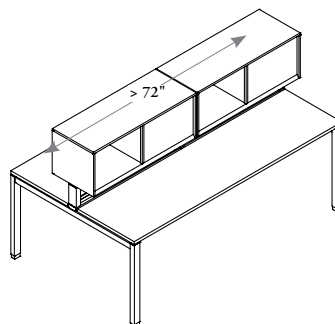
Stanchions can mount anywhere along the Accessory Beam (3") so on-module and off-module mounting is possible.



Overheads **cannot** be used on a Single-Sided Bench.

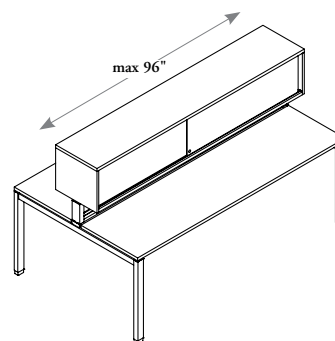


Overheads **cannot** be used on the Return for Two Workspaces.

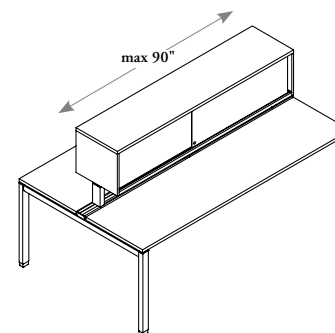


Metal Overheads are only available up to 72" wide

- To achieve a continuous aesthetic on workspaces wider than 72", two overheads can be used side-by-side
- For 78" workspaces = use two 39" overheads
- For 84" workspaces = use two 42" overheads
- For 90" workspaces = use two 45" overheads
- For 96" workspaces = use two 48" overheads



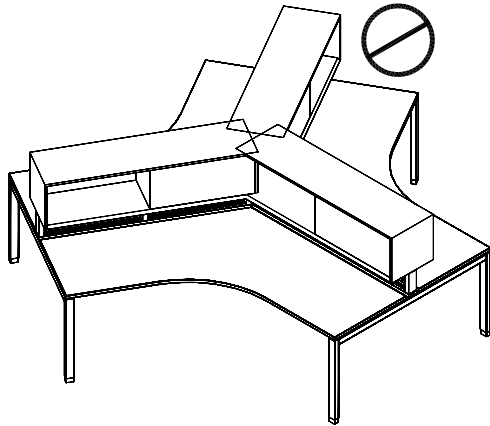
Wood Overheads are available up to 96" wide so can span an entire workspace width without requiring two cabinets.



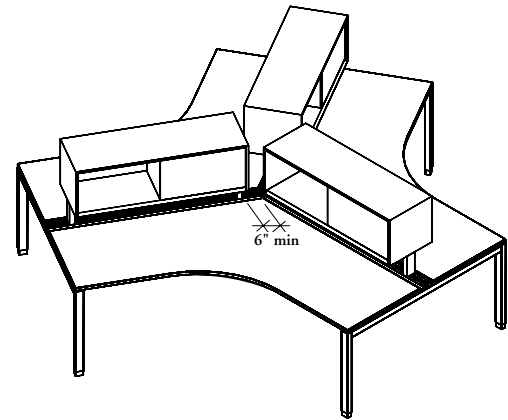
Laminate Overheads are available up to 90" only.

- For 96" workspaces = use two 48" overheads

planning with overheads & storage stanchions (continued)

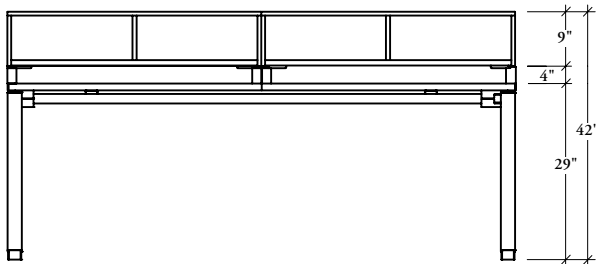


- Stanchions specified on a 120° Frame should be a minimum of 6" shorter than the width of the frame they are being mounted to
- A 60" wide 120° Frame will **not** allow for 60" wide mounted storage on all sides

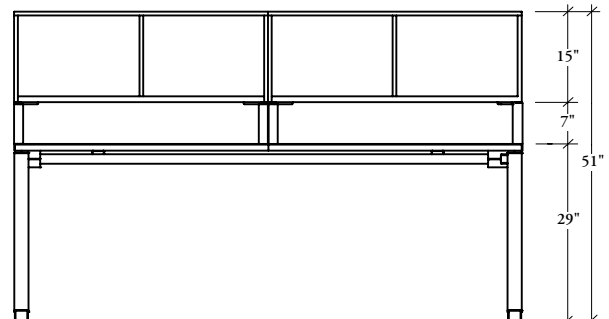


- A 48" wide 120° Frame will allow for 30" - 42" wide Overheads, Stanchions and Wood Shelves
- A 60" wide 120° Frame will allow for 30" - 54" wide Spine Mounted Storage, Stanchions and Wood Shelves

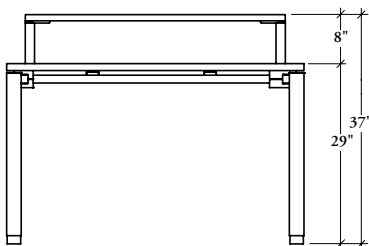
stanchions



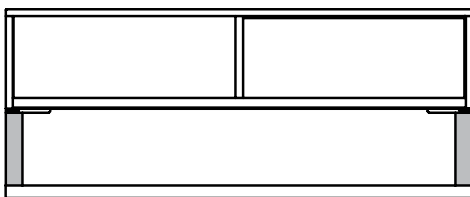
The 4" Stanchion is used with the 9" high overhead to create a 42" high datum.



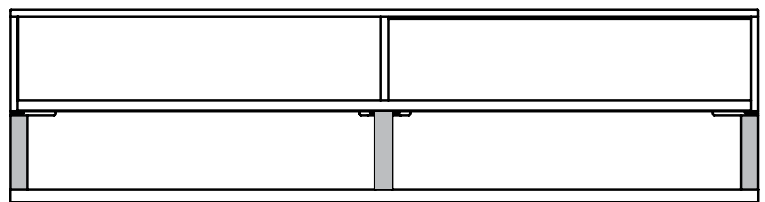
- The 7" Stanchion is used with the 15" high overhead to create a 51" high datum
- Overheads that are 78" wide or greater will require two cabinets and four stanchions



The 4" or 7" Stanchion can be used with a shelf to provide either a 34" or 37" datum height depending on level of privacy required.



≤48

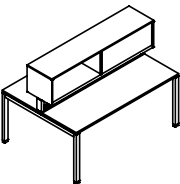
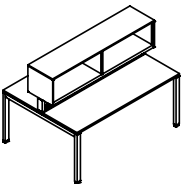
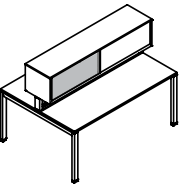
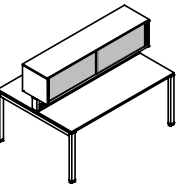
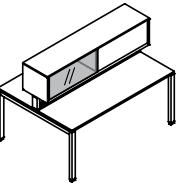
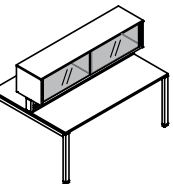
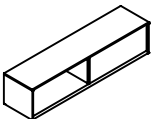
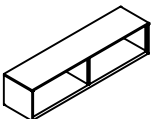
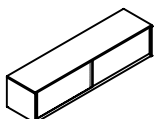
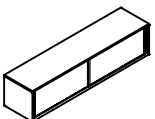
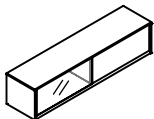
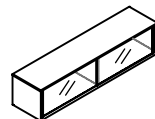
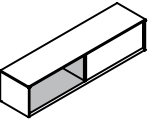
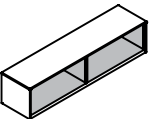
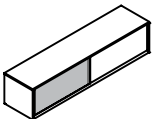
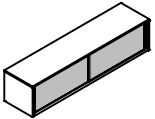
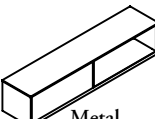
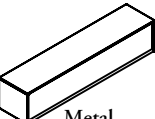
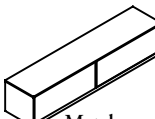
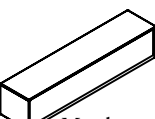
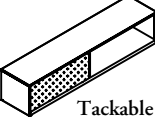
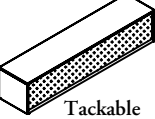
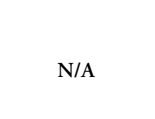
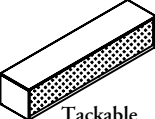
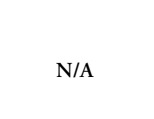

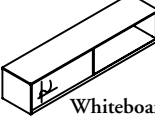
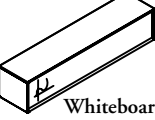

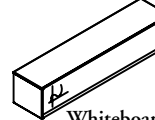
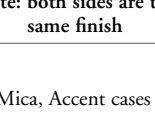
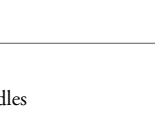
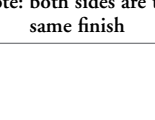
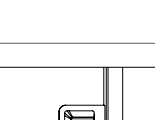
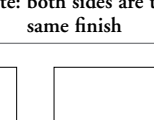



≥54

- Overheads 48" wide or less require two Stanchions, one on each end of the cabinet
- Overheads 54" wide and above require three Stanchions, one on each end and one in the middle
- The correct number of Stanchions will be supplied depending on width of cabinet specified

metal overhead storage finishes

Metal Overheads offers a variety of finish options for the case, interiors and doors of cabinets.

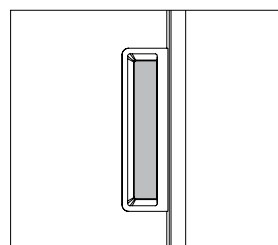
						
	Open Double-Sided	Open Single-Sided	Closed Double-Sided, Metal Door	Closed Single-Sided, Metal Door	Closed Double-Sided, Glass Door	Closed Single-Sided, Glass Door
Front View						
	Single Color	Single Color	Single Color	Single Color	Single Color	Single Color
Front View					N/A	N/A
	Secondary Color	Secondary Color	Secondary Color	Secondary Color	N/A	N/A
Back View					N/A	N/A
	Interior Liner	Interior Liner	Door Finish	Door Finish	N/A	N/A
						
	Metal	Metal	Metal	Metal	Metal	Metal
			N/A		N/A	
	Tackable	Tackable	N/A	Tackable	N/A	Tackable
						
	Whiteboard	Whiteboard	Whiteboard	Whiteboard	Whiteboard	Whiteboard
	Note: both sides are the same finish	Note: both sides are the same finish	Note: both sides are the same finish	Note: both sides are the same finish	Note: both sides are the same finish	Note: both sides are the same finish

Finishes include:

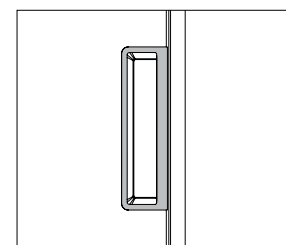
- Foundation, Mica, Accent cases & handles
- Glass doors available in clear or frosted

Features include:

- Different paint finishes on the case and interiors
- Options for tackboard and whiteboard on the backs 15" high of cabinets
- Glass doors available in clear or frosted
- Handles can be specified in a different color



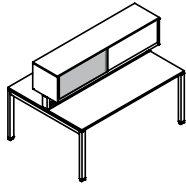
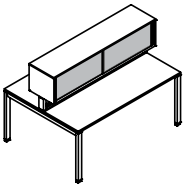
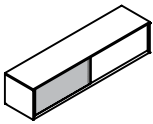
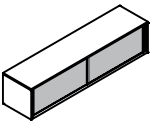
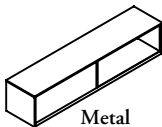
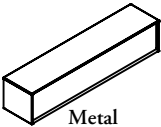
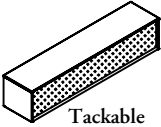
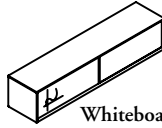
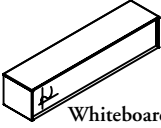
Interpret Handle Interior



Interpret Handle Exterior

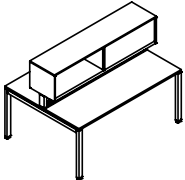
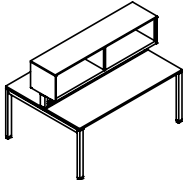
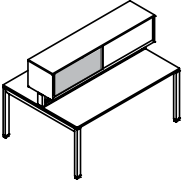
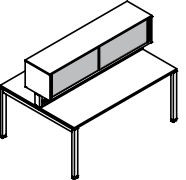
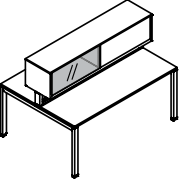
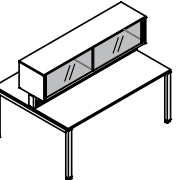
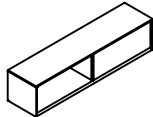
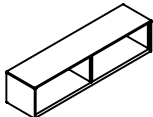
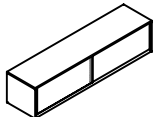
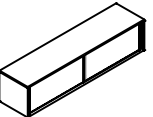
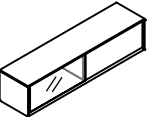
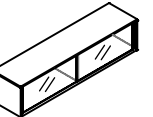
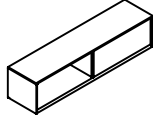
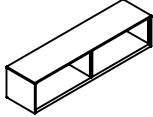
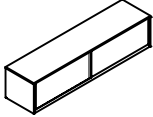
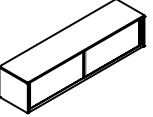
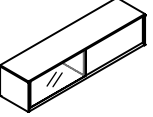
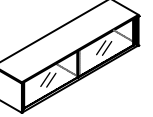
Interpret Handle interior can be specified in a different color from the handle exterior.

metal overhead storage finishes (continued)

		
	Closed Double-Sided, Wood Door	Closed Single-Sided, Wood Door
Front View	Secondary Color 	
	Secondary Color N/A	N/A
Back View	 Metal	 Metal
	N/A	 Tackable
	 Whiteboard	 Whiteboard
	Note: both sides are the same finish	

wood overhead storage finishes

Wood Storage offers a variety of finish options for the case, doors and backs of cabinets and follows the District finish protocol.

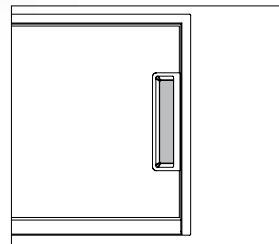
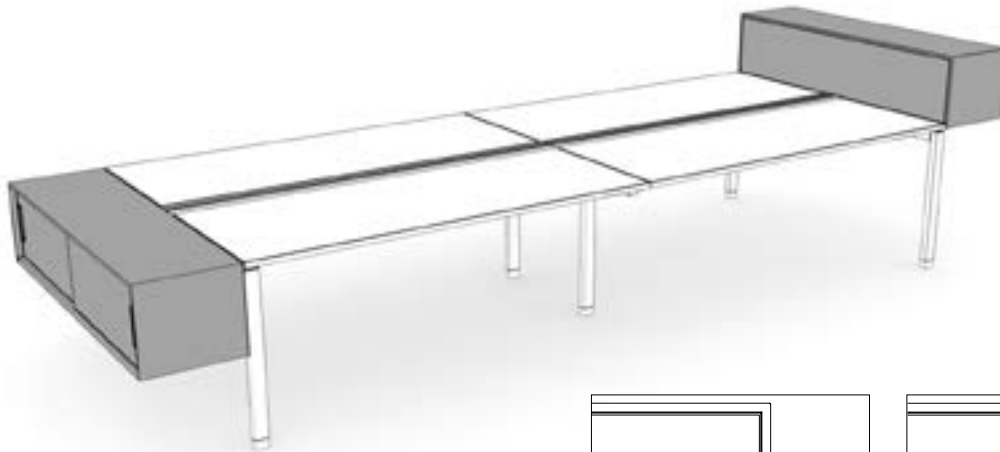
						
	Open Double-Sided	Open Single-Sided	Closed Double-Sided, Solid Door	Closed Single-Sided, Solid Door	Closed Double-Sided, Glass Door	Closed Single-Sided, Glass Door
One Finish						
	All Wood, All Seamless, All Laminate	All Wood, All Seamless, All Laminate	All Wood with Wood Door All Seamless with Seamless Door All Laminate with Laminate Doors	All Wood with Wood Door All Seamless with Seamless Door All Laminate with Laminate Doors	All Wood with Glass Door All Seamless with Glass Door All Laminate with Glass Doors	All Wood with Glass Door All Seamless with Glass Door All Laminate with Glass Doors
Multiple Finishes						
	Follows District protocol	Follows District protocol	Follows District protocol	Follows District protocol	Follows District protocol	Follows District protocol

Note: Wood Cases can be specified with alternative wood back finishes to match the District finish protocol for storage.

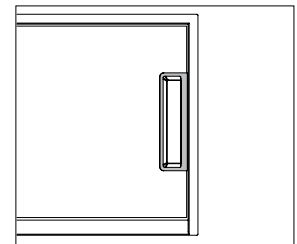
end mounted storage basics

End Mounted Storage is available in open and closed configurations with metal and wood case construction. Storage can be mounted at Above (A), Below Flush (B) and Below Worksurface (W) conditions.

- Cabinets are available 14" high, 16" deep & 48", 60" & 72" widths and are only available for Double-Sided Frames
- Can be used with both the straight and the angled Interpret leg style
- **Cannot** be used with the curve leg

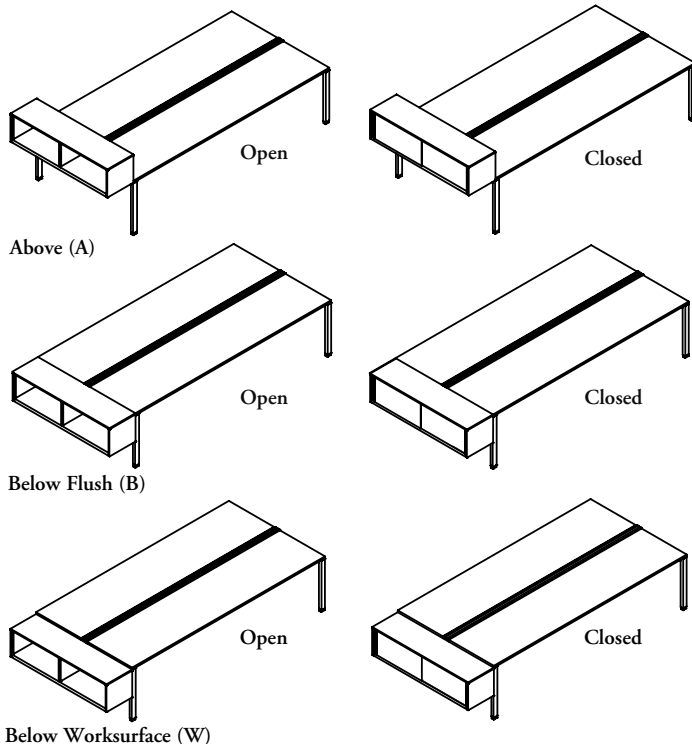


Interpret Handle Interior



Interpret Handle Exterior

Interpret Handle interior can be specified in a different color from the handle exterior.



Metal End Mounted Storage Cabinets

- Open End Mounted Storage Cabinet (WWGE)
- Closed End Mounted Storage Cabinet – Metal Doors (WWGLM)
- Closed End Mounted Storage Cabinet – Glass Doors (WWGLG)
- Closed End Mounted Storage Cabinet – Wood Doors (WWGLW)

All cabinets are available for mounting at 3 heights

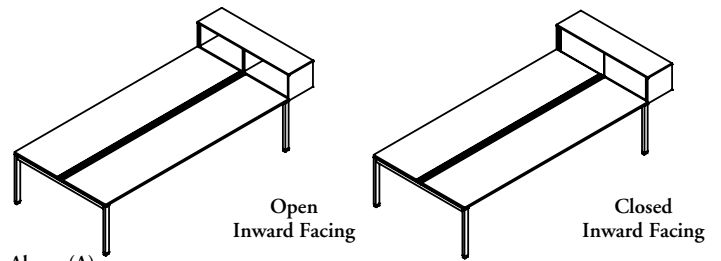
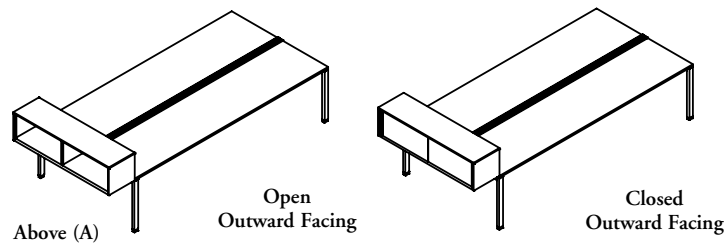
- **Above (A)** – Mounts above worksurface height to provide a 42" datum and has options for whiteboard or tackable backs
- **Below Flush (B)** – Top of the cabinet mounts flush to worksurface height
- **Above and Below Flush cannot** be used with the Accommodation Kit (WWSKL)
- **Below Worksurface (W)** – Mounts below the worksurface to allow a peninsula worksurface to mount above it flush to the bench

Note: When the below Worksurface (W) condition is specified a 16" deep Peninsula Worksurface (WWWRL) is required.

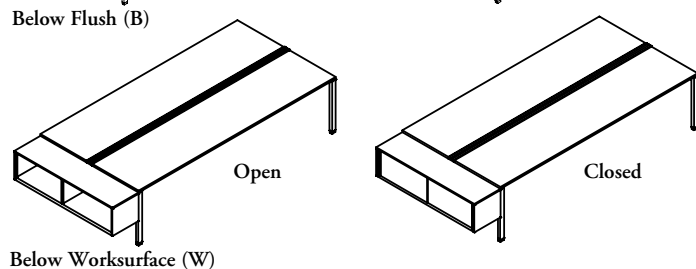
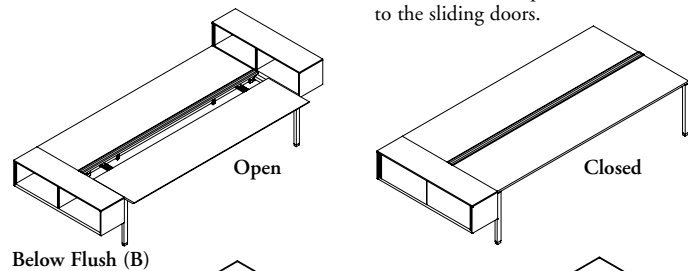
Finishes include:

- Cases and metal doors in Foundation, Mica, Accent
- Glass doors in Clear or Frost
- Wood doors in Source Laminate or Flintwood

end mounted storage basics (continued)



If screens are used plan off-module access to the sliding doors.



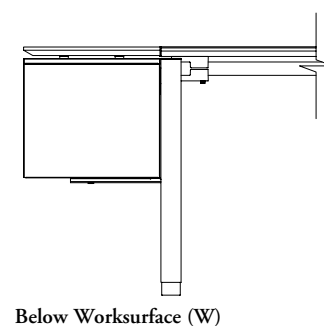
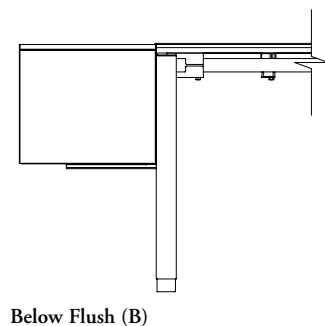
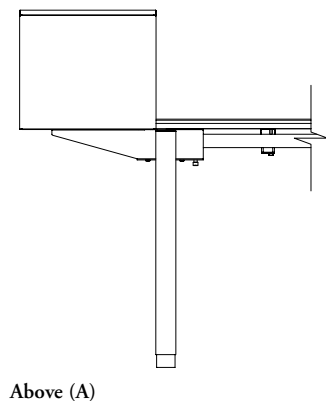
Wood End Mounted Storage Cabinets

- Open Wood End Mounted Storage Cabinet (WWGN)
- Closed Wood End Mounted Storage Cabinet (WWGD)

All cabinets are available for mounting at 3 heights

- **Above (A)** – Mounts above worksurface height to provide a 42" datum and can face inward or outward
- **Below Flush (B)** – Top of the cabinet mounts flush to worksurface height
- **Below Worksurface (W)** – Mounts below the worksurface to allow a worksurface to mount above it flush to the bench
- **Above (A)** cabinets can also face inwards

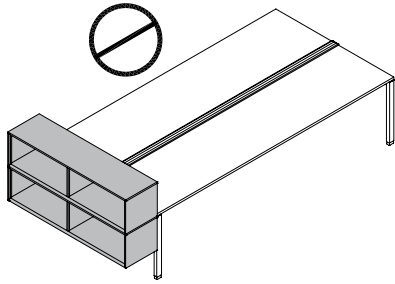
end mounted storage alignments



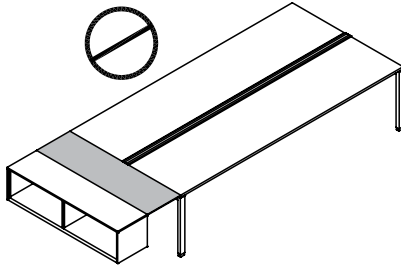
Finishes

- Cases in Source Laminate, Seamless & Flintwood
- Glass front in Clear or Frost
- Solid Fronts in Source Laminate, Seamless & Flintwood
- Handle in Foundation & Mica

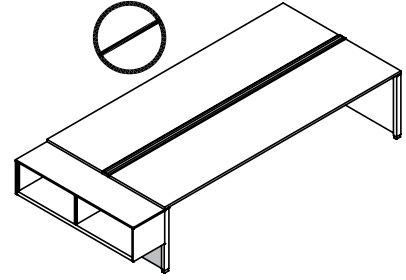
planning with end mounted storage



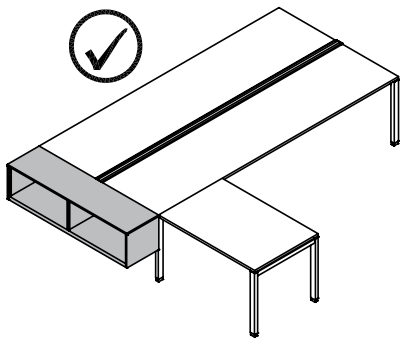
Neither metal nor wood end storage cabinets can be stacked on top of each other, only one cabinet can be used at each end location.



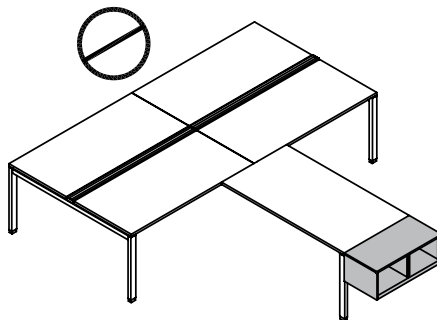
End storage cabinets **cannot** be mounted to a Peninsula Worksurface. They must be mounted to a Double-Sided Frame.



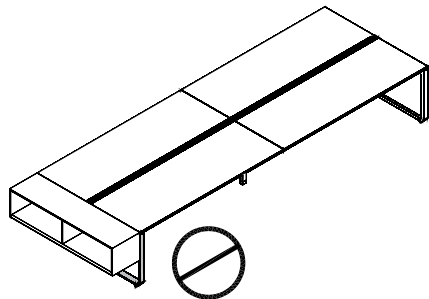
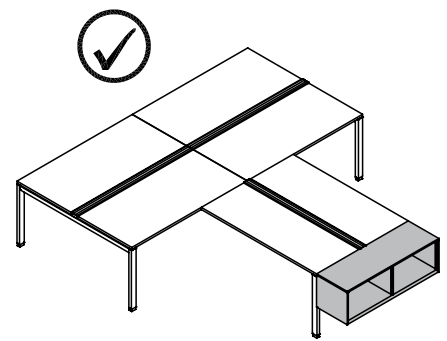
End storage cabinets **cannot** be mounted to a Double-Sided Frame that has an End Gable Infill. It can only be mounted to an open Frame.



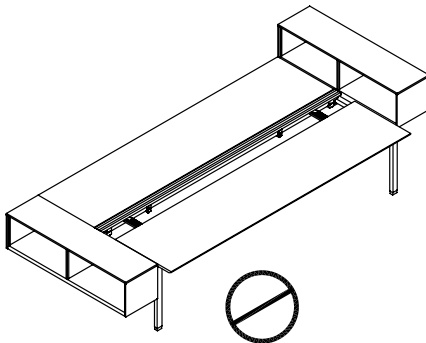
End storage cabinets can be used when Single Return Worksurfaces are used, however the cabinet can only span across the Double-Sided Frame and End Gable.



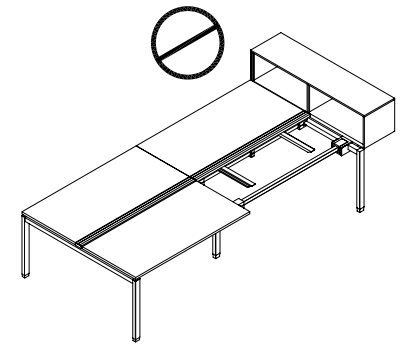
End storage cabinets can be used with the Return Frame For Two Worksurfaces at 48" & 60" wide. It **cannot** be used on Return Frame for Single Worksurfaces.



End Mounted Storage **cannot** be used with the Curve leg.



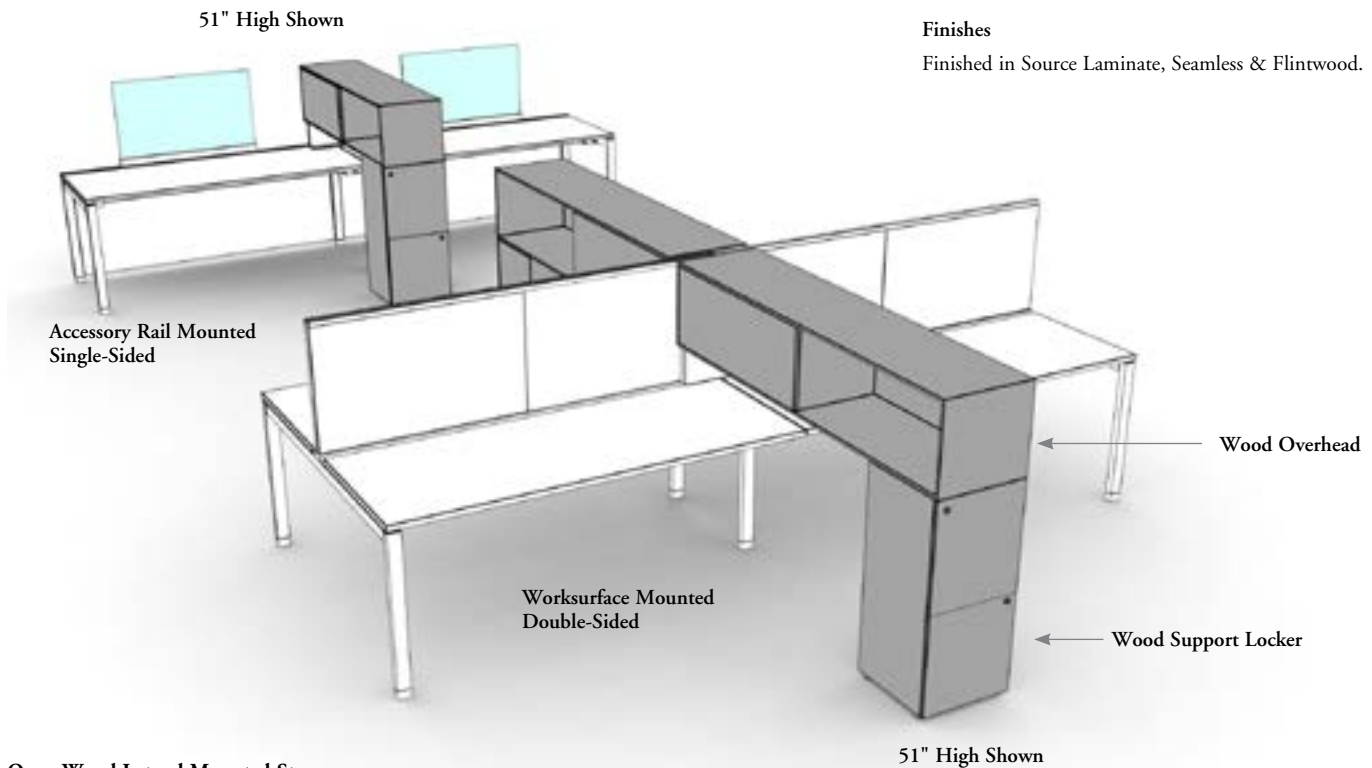
End Mounted Storage above the worksurface facing in **cannot** be used with Sliding Worksurfaces.



End Mounted Storage above the worksurface **cannot** be used with Accommodation Kit (WWSLK).

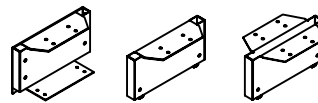
wood lateral storage basics

Wood Lateral Mounted Storage mounts perpendicular to the worksurface to provide storage, privacy and a standing height Meeting surface. Overhead & Storage Support Locker are ordered as one unit to create 42" & 51" datum heights.



Open Wood Lateral Mounted Storage Cabinet (WWGRN) & Closed Wood Lateral Mounted Storage (WWGRC)

- Used to provide privacy or standing meeting surfaces
- Available 60", 72", & 84" widths, in heights of 42" & 51"
- Units are 16" deep
- The locks on the overhead storage are available "Key Alike" but the lower locker storage will always be "Key Random"
- The locker storage is always one finish only and it will come in the same case finish as the overhead section

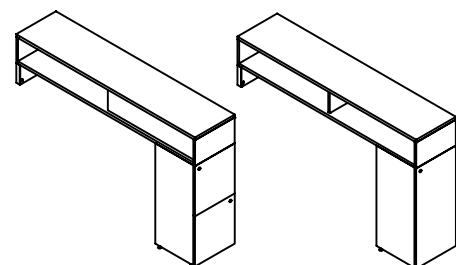


Lateral Mounted Storage Brackets (WWGB)

- Required to attach the Wood Lateral Mounted Storage to either a worksurface or an Accessory Beam
- Options include: Beam Mounted (BR), Shared Beam Mounted (BD) & Single-Sided Worksurface Mounted (WK)
- Available for 42" & 51" datum heights

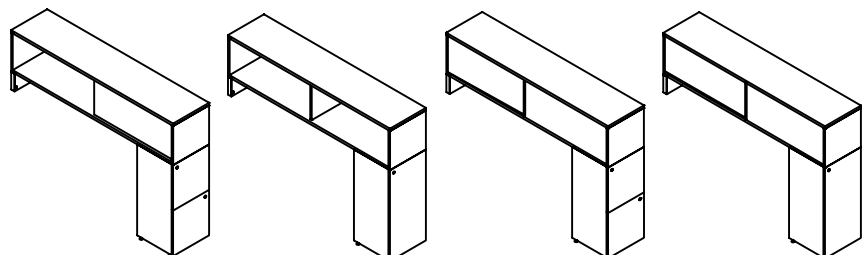
The following options are available:

42" high (available open only)



Open Double-Sided Open Single-Sided,

51" high (available open or closed)

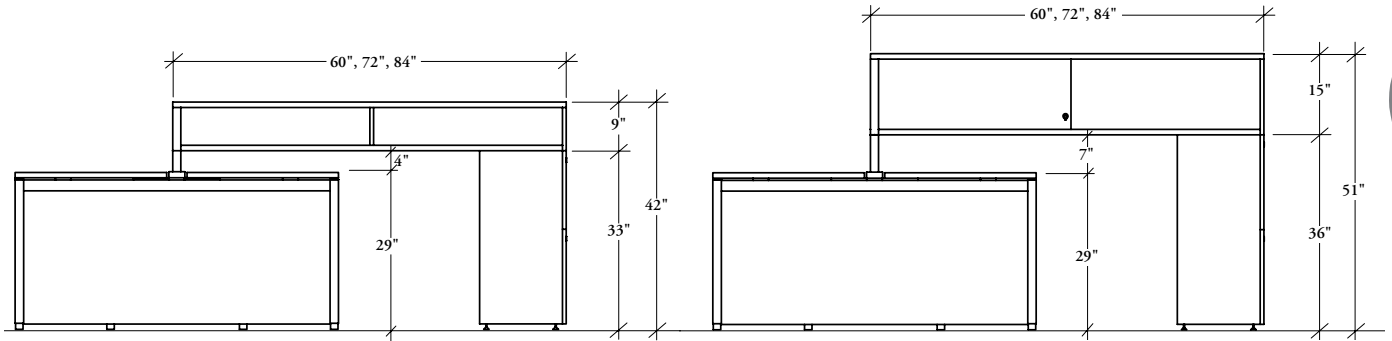


Open Double-Sided, Open Single-Sided, Closed Double-Sided, Closed Single-Sided,

planning with wood lateral storage

The following should be considered when planning with Wood Lateral Storage.

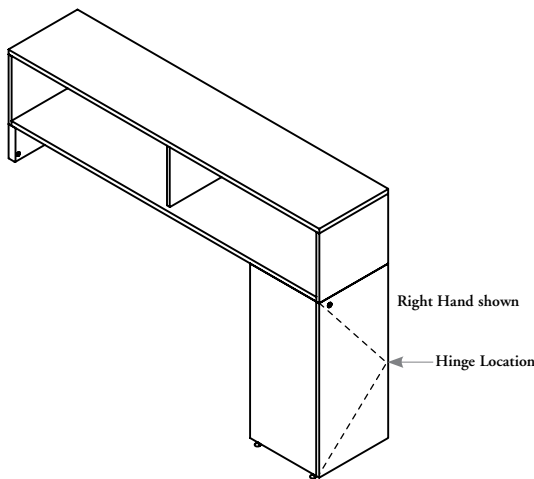
Lateral Storage is available in 2 heights, 42" & 51".



The 42" high configuration consists of a single or split locker to 33" high with a 9" open overhead above and is supported by a 4" Lateral Mounted Storage Bracket (ordered separately) mounted to the Accessory Beam or a worksurface.

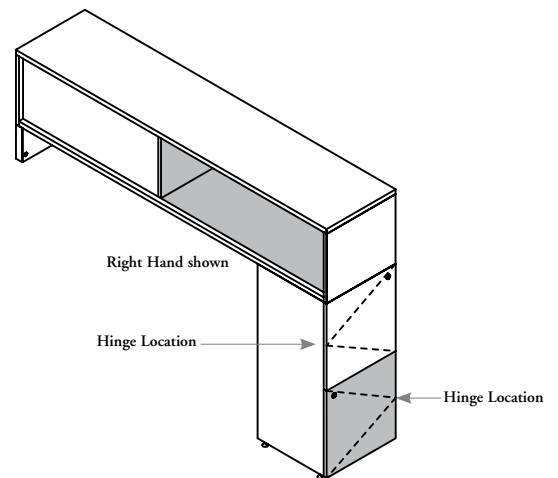
The 51" high configuration consists of a single or split locker to 36" high with a 15" open or closed overhead above and is supported by a 7" Lateral Mounted Storage Bracket (ordered separately) mounted to the Accessory Beam or a worksurface.

The configuration of the Lateral Storage varies depending on whether the Lateral Storage unit is single-sided or double-sided.



Single-Sided Applications

- Is complete with a single locker
- The Mounted Storage will face towards the user and the locker door will swing away from the user
- The unit will be handed, the handedness is determined by the location of the hinge on the door of the locker

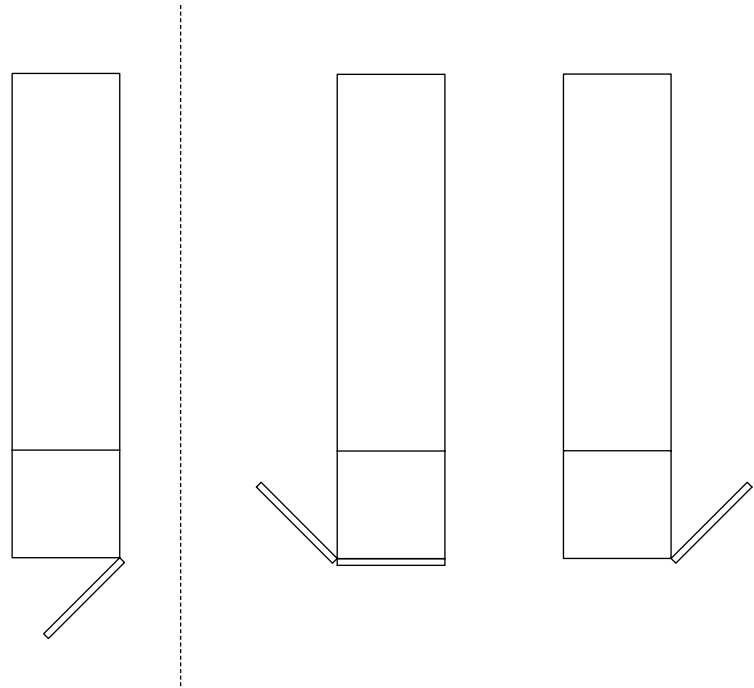
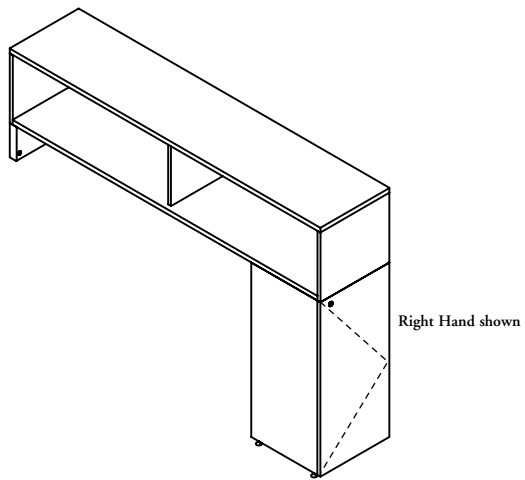


Double-Sided Applications

- The Mounted Storage is shared between two users
- Is complete with a split locker
- The cabinet is handed, the handedness is determined by the location of the open cabinet or sliding door on the lateral storage
- The opening that is **not** above the worksurface, therefore easier to access corresponds to the lower section of the storage

planning with wood lateral storage (continued)

I42



The tower portion of the Single-Sided Wood Lateral Storage can be positioned:

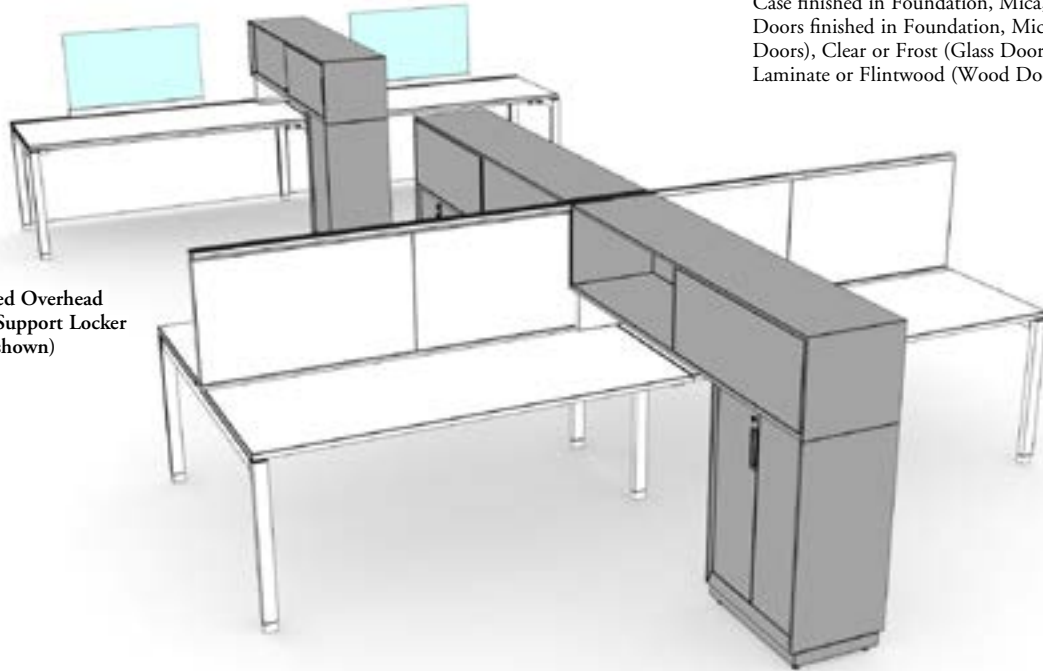
- Facing out into the aisle
- Into the workstation (on either side)

metal lateral storage basics

Metal Lateral Mounted Storage mounts perpendicular to the worksurface to provide storage, privacy and a standing height meeting surface. The Metal Overhead and Support Locker are ordered separately to create 42" & 51" datum heights.

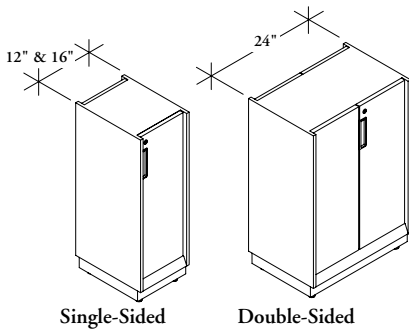
Finishes

Case finished in Foundation, Mica, Accent cases.
Doors finished in Foundation, Mica & Accent (Metal Doors), Clear or Frost (Glass Doors) and Source Laminate or Flintwood (Wood Doors).



Single-Sided Closed Overhead and Single-Sided Support Locker (51" high datum shown)

Double-Sided Open Overhead and Double-Sided Support Locker (51" high datum shown)



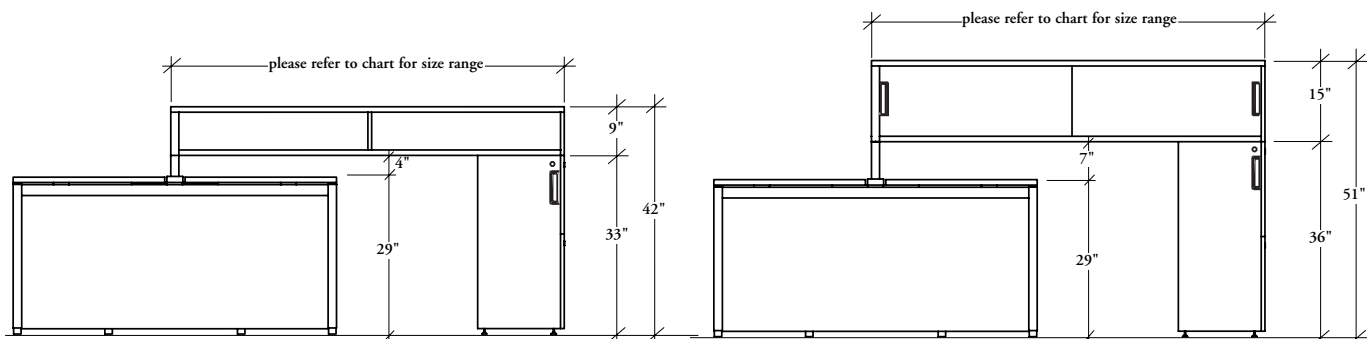
Support Locker (WWGK)

- Single-Sided Support lockers are 12" & 16" wide
- Double-Sided Support lockers are 24" wide
- 33" high support lockers are used with 9" high overheads to achieve 42" datum heights (can only be used with open overheads)
- 36" high support lockers are used with 15" high overheads to achieve a 51" datum heights
- Units are 16" deep
- Available with Plinth base only
- The Support Locker has a leveling range of 5/8" down and 1-3/8" up (this follows the leveling range of the bench)
- Support Lockers **cannot** be used on their own in stand alone applications

- Open Overhead (WWGM) & Support Locker (WWGK) are used together to provide privacy and standing height meeting surface
- The Overhead can be ordered with District or Interpret style handles
- The Support Locker door will always have the Interpret style handle
- Support Locker **cannot** be used on its own in stand alone applications
- Brackets ordered separately

planning with metal lateral storage

The following should be considered when planning with Metal Lateral Storage.



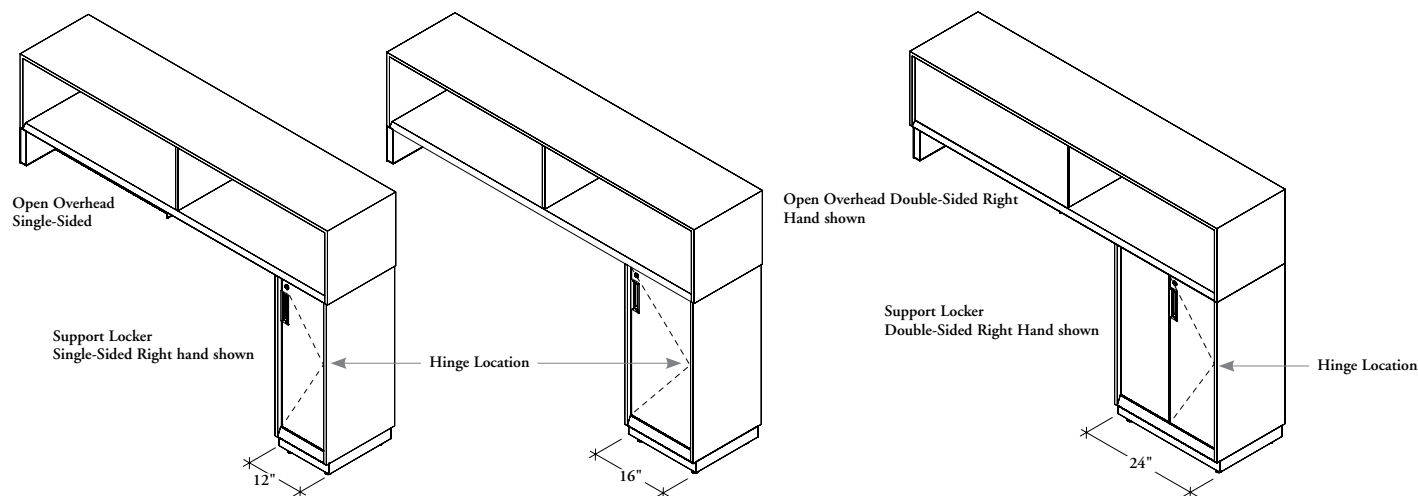
For a 42" high datum the following need to be ordered:

- 33" high support locker (single-sided or double-sided)
- 9" high open overhead
- 4" high Lateral Mounted Storage Brackets
- All ordered separately

For a 51" high datum the following need to be ordered:

- 36" high support locker
- 15" high overhead
- 7" high Lateral Mounted Storage Brackets
- All ordered separately

The configuration of the Lateral Storage varies depending on whether the Lateral Storage unit is single-sided or double-sided.



Single-Sided Applications

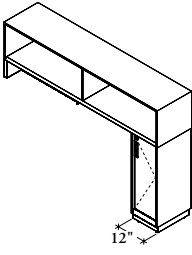
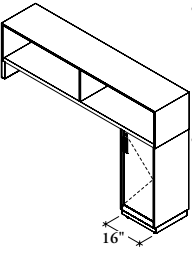
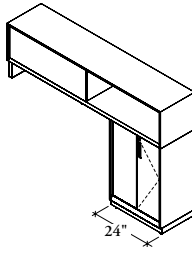
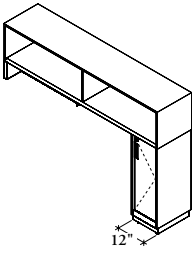
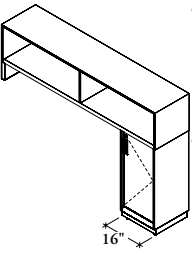
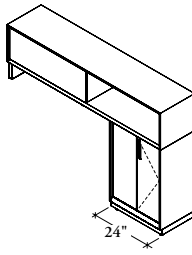
- The Overhead cabinet and support locker are ordered separately to make a complete lateral storage unit
- The overhead cabinet is non-handed
- The Support Locker is handed
- The Support Locker's handedness is determined by the location of the hinge on the door

Double-Sided Applications

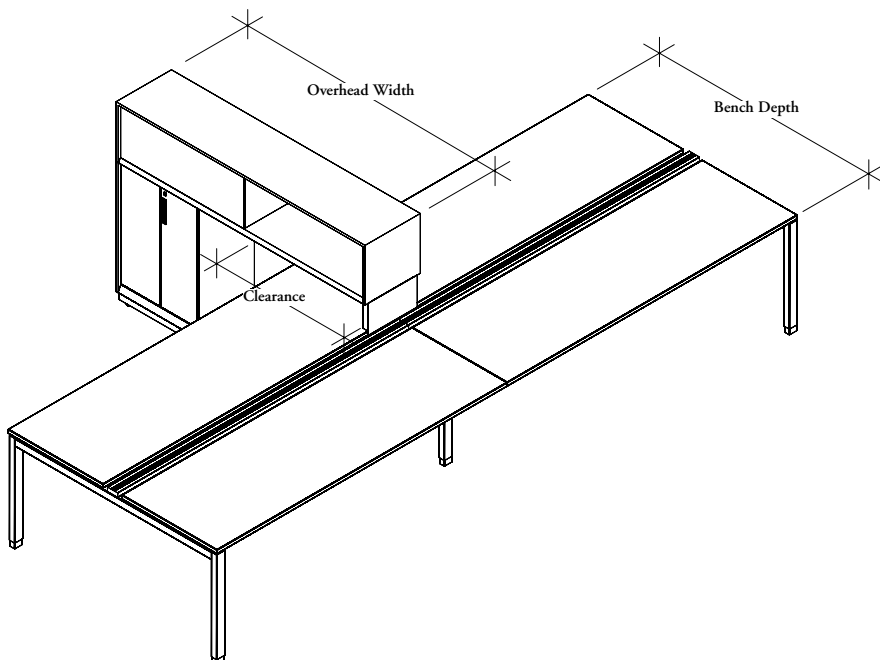
- The Overhead Cabinet and Support Locker are ordered separately to make a complete lateral storage unit
- The Overhead Cabinet and the Support Locker are handed
- The overhead cabinet's handedness is determined by the location of the open cabinet or sliding door
- The Support Locker's handedness is determined by the location of the hinge on the door

planning with metal lateral storage (continued)

Below outlines the widths of Overheads & Support Locker that will work each depth of fixed and Sliding Worksurfaces.

	Single-Sided Support Locker, 12" wide	Single-Sided Support Locker, 16" wide	-Sided Support Locker, 24" wide
Fixed Worksurfaces	 <ul style="list-style-type: none"> When planning with 48" deep double-sided bench or 24" deep single-sided bench use $\geq 39"$ wide overhead When planning with 60" deep double-sided bench or 30" deep single-sided bench use $\geq 48"$ wide overhead When planning with 72" deep double-sided bench or 36" deep single-sided bench use $\geq 54"$ wide overhead 	 <ul style="list-style-type: none"> When planning with 48" deep double-sided bench or 24" deep single-sided bench use $\geq 42"$ wide overhead When planning with 60" deep double-sided bench or 30" deep single-sided bench use $\geq 48"$ wide overhead When planning with 72" deep double-sided bench or 36" deep single-sided bench use $\geq 54"$ wide overhead 	 <ul style="list-style-type: none"> When planning with 48" deep double-sided bench or 24" deep single-sided bench use $\geq 54"$ wide overhead When planning with 60" deep double-sided bench or 30" deep single-sided bench use $\geq 60"$ wide overhead When planning with 72" deep double-sided bench or 36" deep single-sided bench use $\geq 66"$ wide overhead
Sliding Worksurfaces	 <ul style="list-style-type: none"> When planning with 48" deep double-sided bench or 24" deep single-sided bench use $\geq 42"$ wide overhead When planning with 60" deep double-sided bench or 30" deep single-sided bench use $\geq 48"$ wide overhead When planning with 72" deep double-sided bench or 36" deep single-sided bench use $\geq 54"$ wide overhead 	 <ul style="list-style-type: none"> When planning with 48" deep double-sided bench or 24" deep single-sided bench use $\geq 48"$ wide overhead When planning with 60" deep double-sided bench or 30" deep single-sided bench use $\geq 54"$ wide overhead When planning with 72" deep double-sided bench or 36" deep single-sided bench use $\geq 60"$ wide overhead 	 <ul style="list-style-type: none"> When planning with 48" deep double-sided bench or 24" deep single-sided bench use $\geq 54"$ wide overhead When planning with 60" deep double-sided bench or 30" deep single-sided bench use $\geq 60"$ wide overhead When planning with 72" deep double-sided bench or 36" deep single-sided bench use $\geq 66"$ wide overhead

\geq (Greater than or equal to)



planning with lateral storage

Lateral Mounted Storage Brackets are required to mount Lateral Mounted Storage to the bench. It is available in 3 mounting styles.

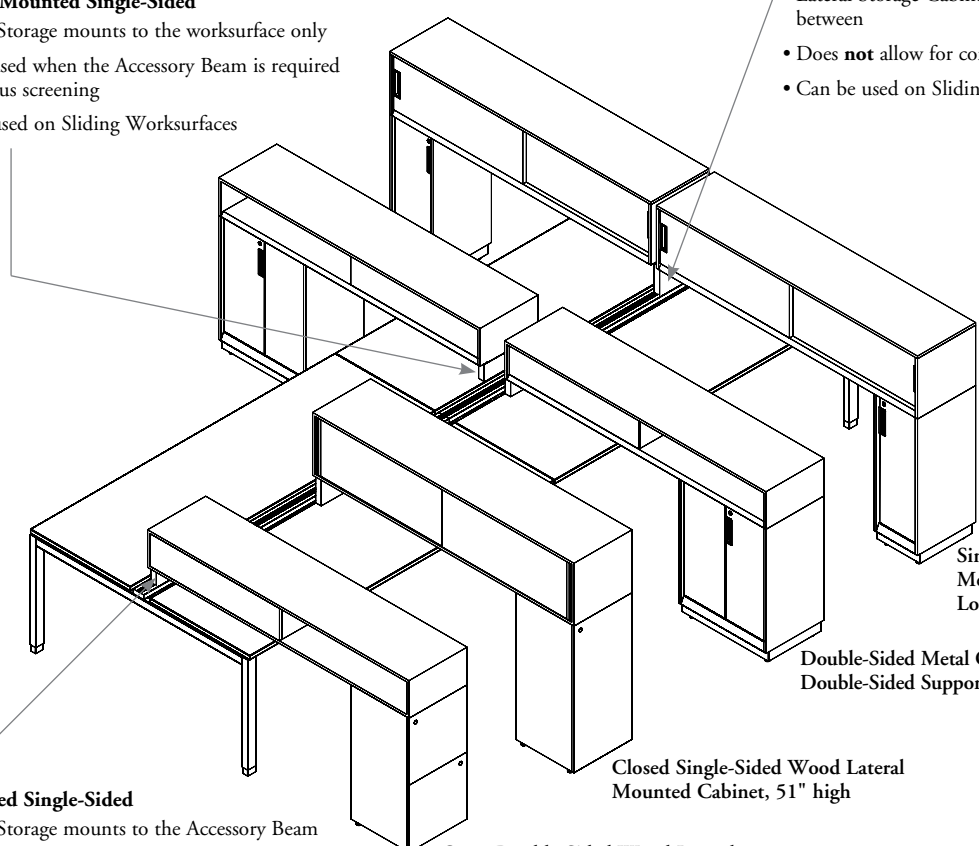
Worksurface Mounted Single-Sided

- The Lateral Storage mounts to the worksurface only
- Is typically used when the Accessory Beam is required for continuous screening
- **Cannot** be used on Sliding Worksurfaces

Beam Mounted Shared

- A shared bracket mounts to the beam and allows two Lateral Storage Cabinets to mount with no gap in between
- Does **not** allow for continuous screens along the beam
- Can be used on Sliding Worksurfaces

146



Single-Sided Closed Overhead with Metal Doors and Single-Sided Support Locker, 51" high

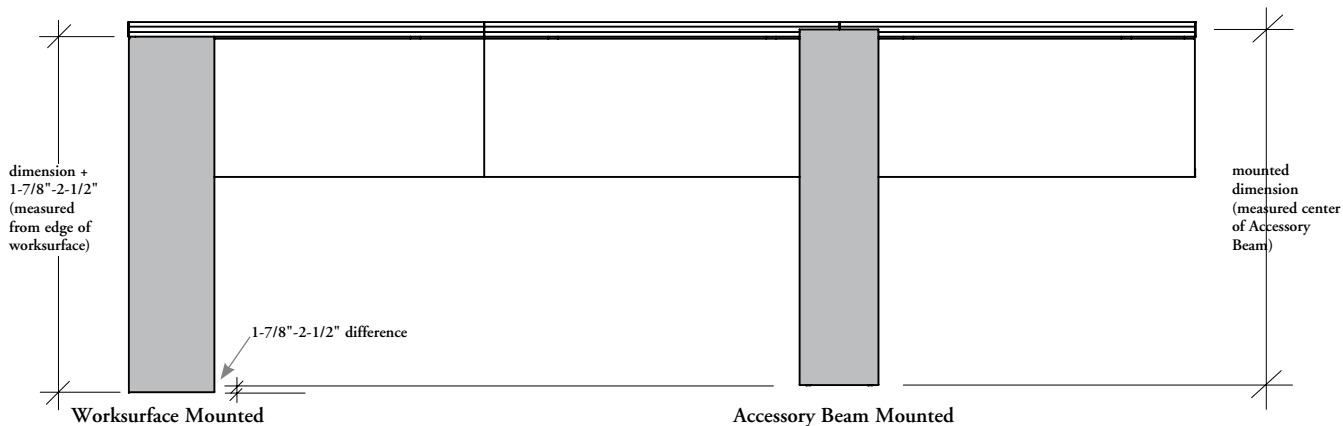
Double-Sided Metal Open Overhead and Double-Sided Support Locker, 42" high

Closed Single-Sided Wood Lateral Mounted Cabinet, 51" high

Open Double-Sided Wood Lateral Mounted Cabinet, 42" high

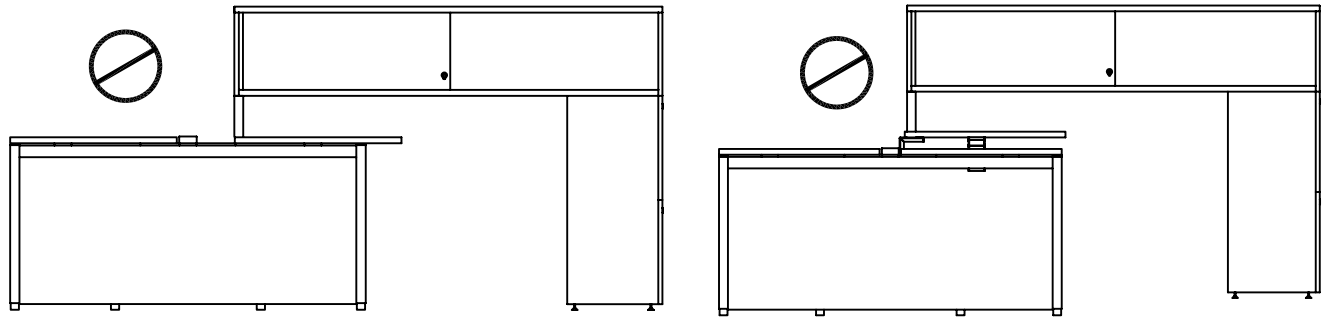
Beam Mounted Single-Sided

- The Lateral Storage mounts to the Accessory Beam
- Does **not** allow for continuous screening along the beam
- Can be used on Sliding Worksurfaces

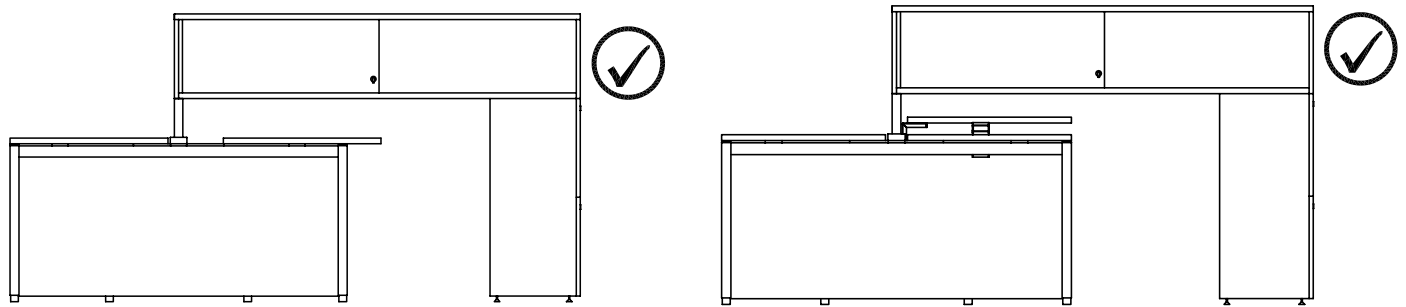


- Lateral Storage units, regardless of the method of mounting are the same width, so careful attention must be given to the dimensional differences that will occur if mixing mounting methods
- For example, a Lateral Storage cabinet mounted to a 3" Accessory Beam will have a dimension that is measured from the center of the Accessory Beam whereas a Lateral Storage cabinet mounted to a worksurface will be measured from the edge of the worksurface and extend out further than the unit mounted to the Accessory Beam

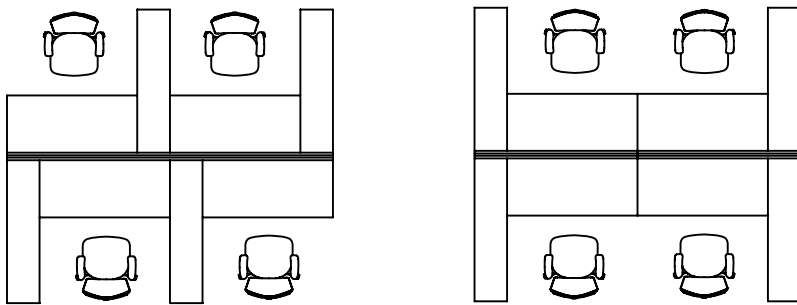
planning with lateral storage (continued)



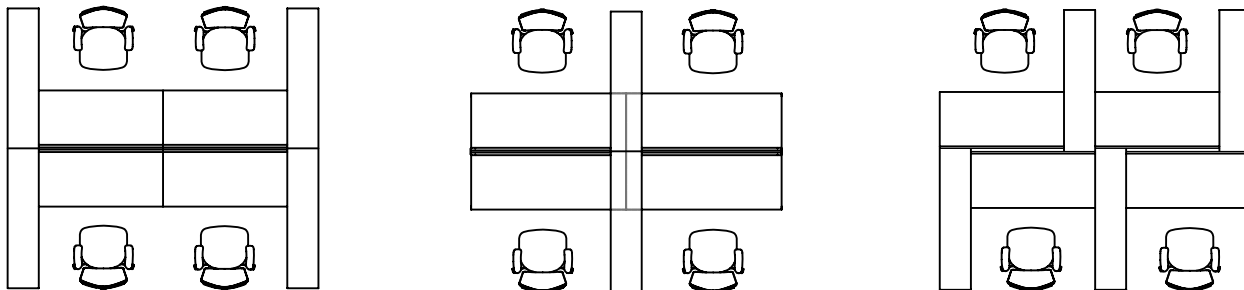
Worksurface mounting **cannot** be used with either sliding worksurfaces or height-adjustable worksurfaces.



- Beam mounted Lateral Storage cabinets can be used with either sliding worksurfaces or height-adjustable worksurfaces
- The bracket mounts to the beam, and causes no obstruction to the Sliding Worksurface 5" slide range, or to the 3" height-adjustability range



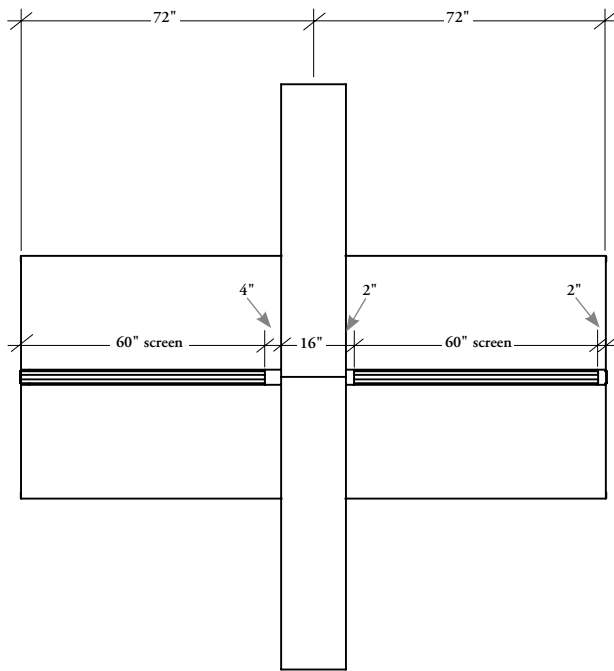
- When using the worksurface mounting option, Lateral Storage units can only be placed along the back edge of a worksurface
- A variety of layouts can be achieved depending on which end of the worksurface the units are mounted to



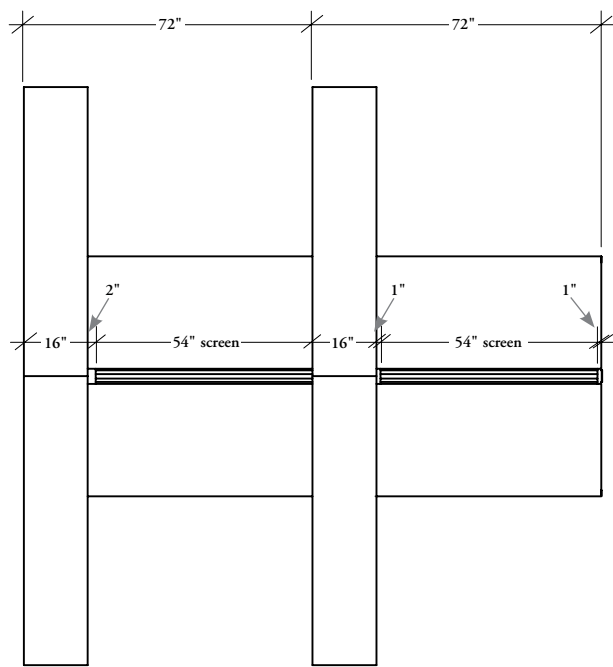
- When using the beam mounting option, Lateral Storage units can be placed anywhere along the beam
- A variety of layouts can be achieved depending on the location of the bracket

planning with lateral storage (continued)

- When mounting to the Accessory Beam, a continuous Casual or Functional screen **cannot** be used, and the screens must be mounted off-module
- It is **not** possible to fill the entire remaining gap because screen dimensions are in 6" increments only and lateral storage is 16" wide
- The following examples show the remaining gaps when using 72" workspaces
- Although these dimensions are achievable, it is recommended that when using Beam Mounted Lateral Towers a more casual fit be specified where the remaining gaps are less than 6"

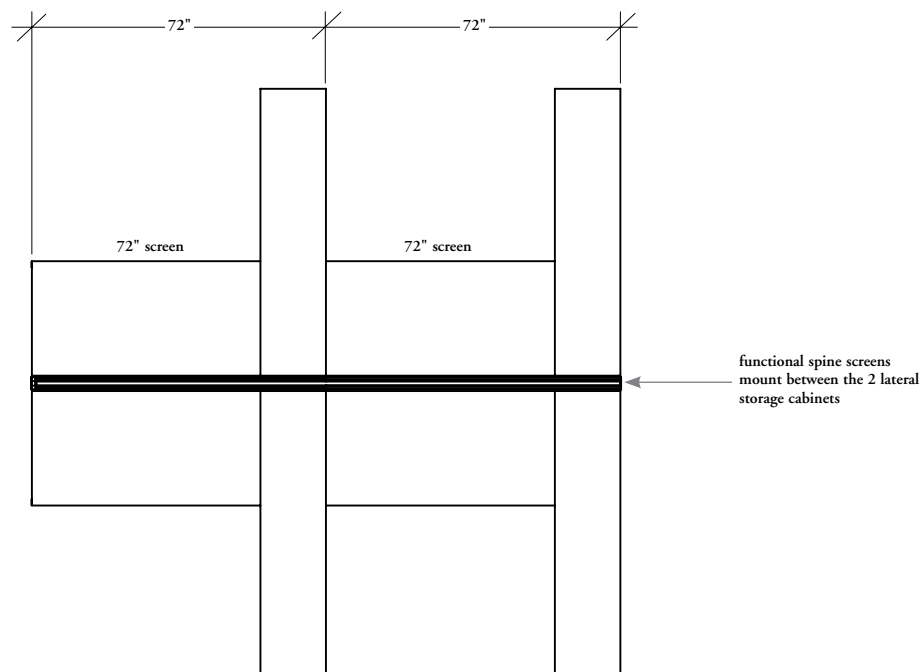


Shared Between Users – 4" Open Space One Side or 2" Open Space Both Sides



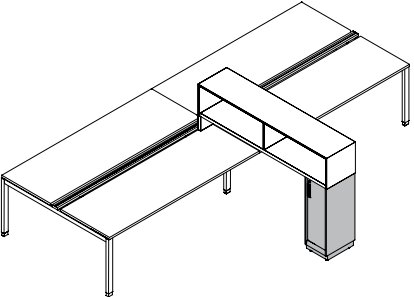
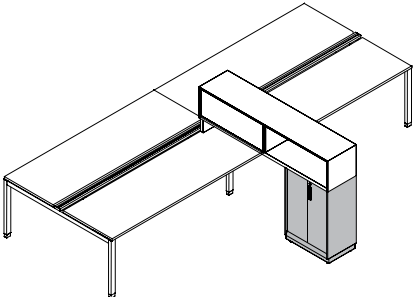
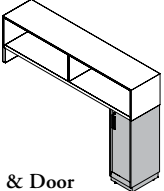
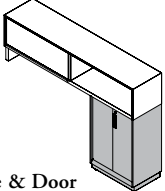
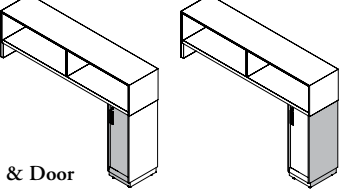
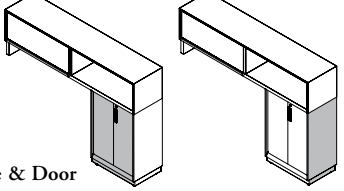
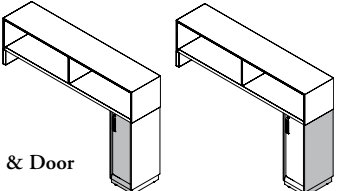
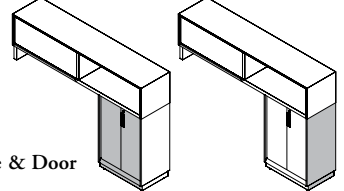
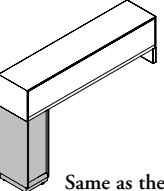
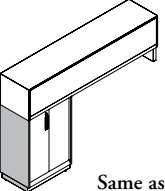
Single Users – 2" Open Space One Side or 1" Open Space Both Sides

Worksurface mounting provides the ability for Functional Spine Screens to extend the full width of the configuration.



support tower storage finishes

Support Locker Storage offers a variety of finish options for the case, door front, handles & plinth bases.

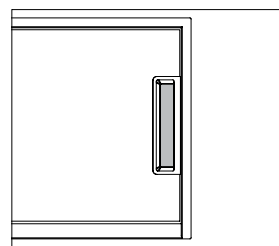
	 <p>Single-Sided Support Tower</p>	 <p>Double-Sided Support Tower</p>
Front View	<p>Single Color</p>  <p>Case & Door</p>	 <p>Case & Door</p>
	<p>Secondary Color</p>  <p>Case & Door</p>	 <p>Case & Door</p>
	<p>Wood Door</p>  <p>Case & Door</p>	 <p>Case & Door</p>
Back View	 <p>Same as the case finish</p>	 <p>Same as front finish</p>

Finishes Include:

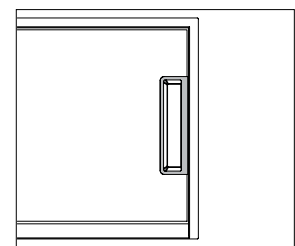
- Foundation, Mica & Accent Cases
- Foundation, Mica, Accent, Source Laminate & Flintwood Doors
- Grain direction for Flintwood doors are vertical

Features Include:

- Different Paint finishes on the Case, plinth Base, Door Front & Handle Exterior and Handle Interior
- Metal or Wood Doors



Interpret Handle Interior



Interpret Handle Exterior

Handle interior can be specified in a different color from the handle exterior.

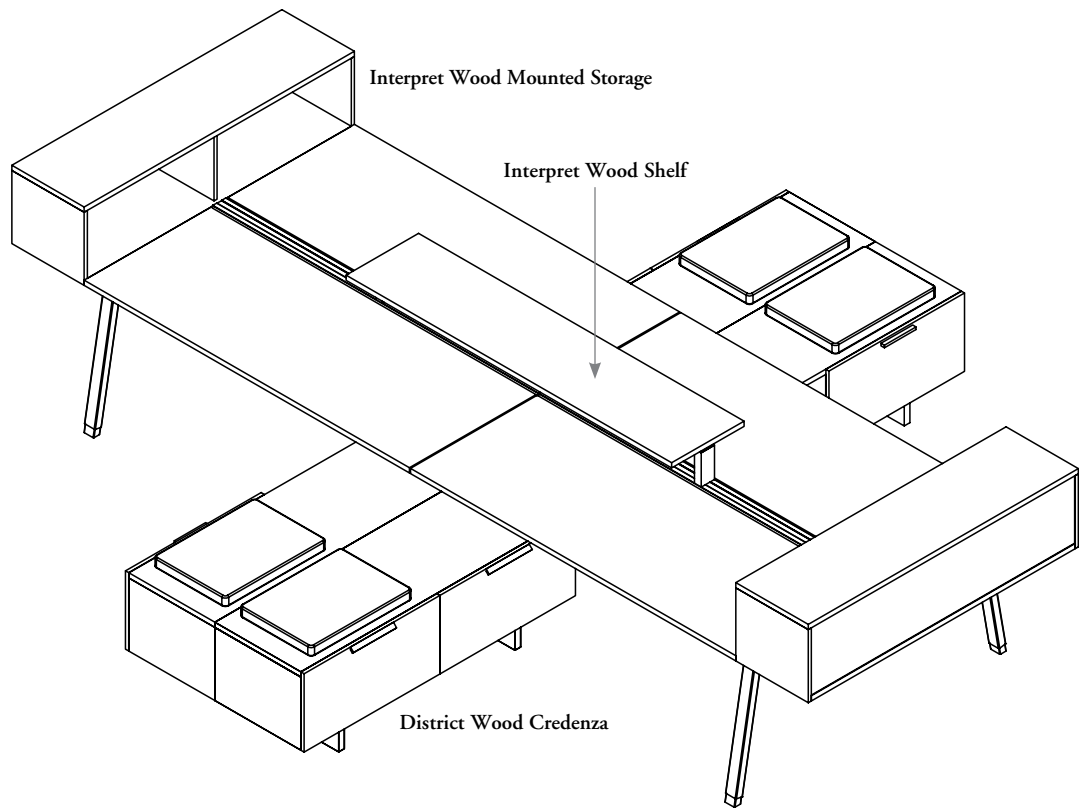
integrating freestanding storage

District and Ledger Storage can be used with Interpret. The finish protocol for District Storage and Interpret Wood Storage are the same.

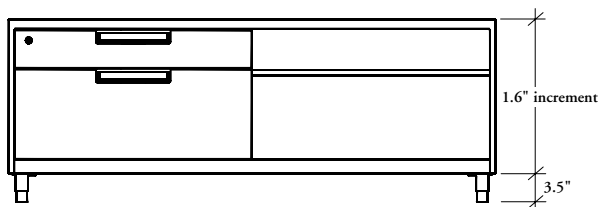
district storage

District Storage blends seamlessly with Interpret Wood Storage.

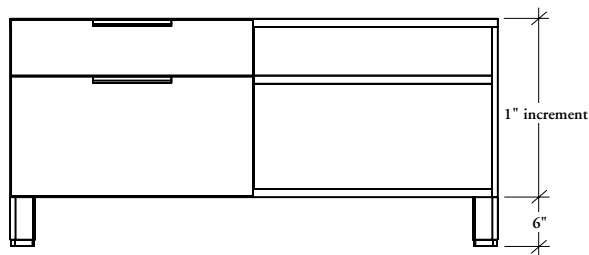
150



- Please note that if integrating District Storage with Interpret, datum heights for Interpret Storage are different than that of District Storage
- Interpret uses a 3.5" bottom modifier height and a 1.6" case module height
- District uses a 6" bottom modifier height and a 1" case module height



Interpret Credenza



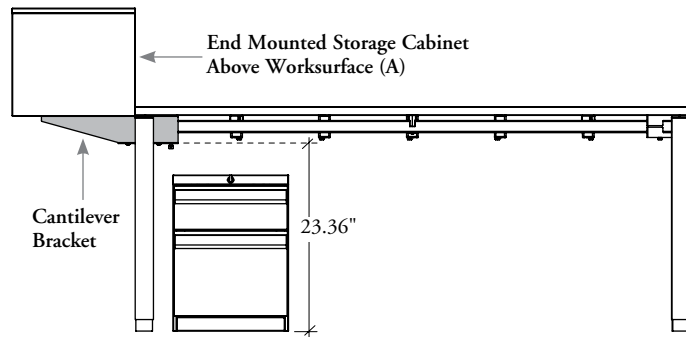
District Credenza

integrating freestanding storage (continued)

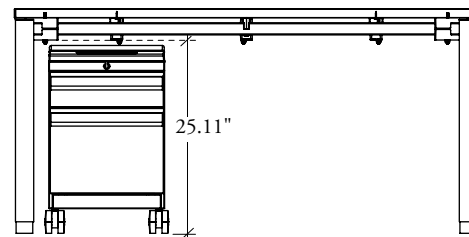
ledger metal storage

The following should be considered when planning with Ledger Storage and Interpret.

- Ledger Storage can be used with Interpret, however the clearance to the underside of an Interpret structure is 25.11" due to the support beam height. This restricts which Ledger Cabinets can be used
- When planning with End Mounted Storage above the worksurface the underside of the structure is 23.36 high due to the cantilever bracket height
- The worksurface depth determines which Ledger Cabinets can be used as well, due to the Power Tray (WWEPT) which taken up 5-1/4" of worksurface depth
- Please note that the Mobile Pedestal with Seat will **not** fit under the Bench with a Box/File (BF) configuration, a Small Box/File (SF) must be specified
- **Cannot** be used on the Accommodation Kit (WWSLK)

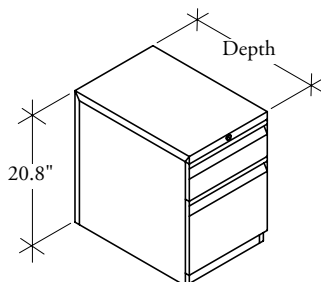


When Planning with End Mounted Storage above the worksurface, the underside of the Cantilever Bracket needs to be cleared.

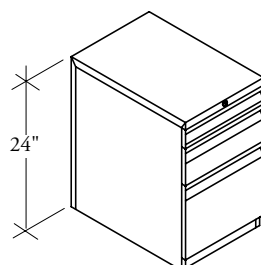


When Planning with just the Interpret Structure, the underside of the Support Beam needs to be cleared.

Ledger Pedestals (LPFN)

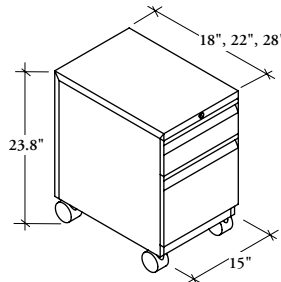


Ledger Box, File (Without Casters)



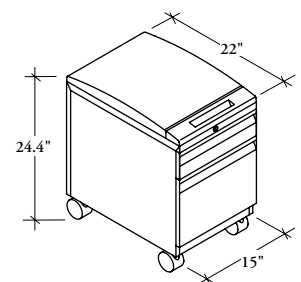
Ledger Pencil, Box, File (Without Casters)

Ledger Mobile Pedestal (LPWN)



Ledger Box, File (Mobile)

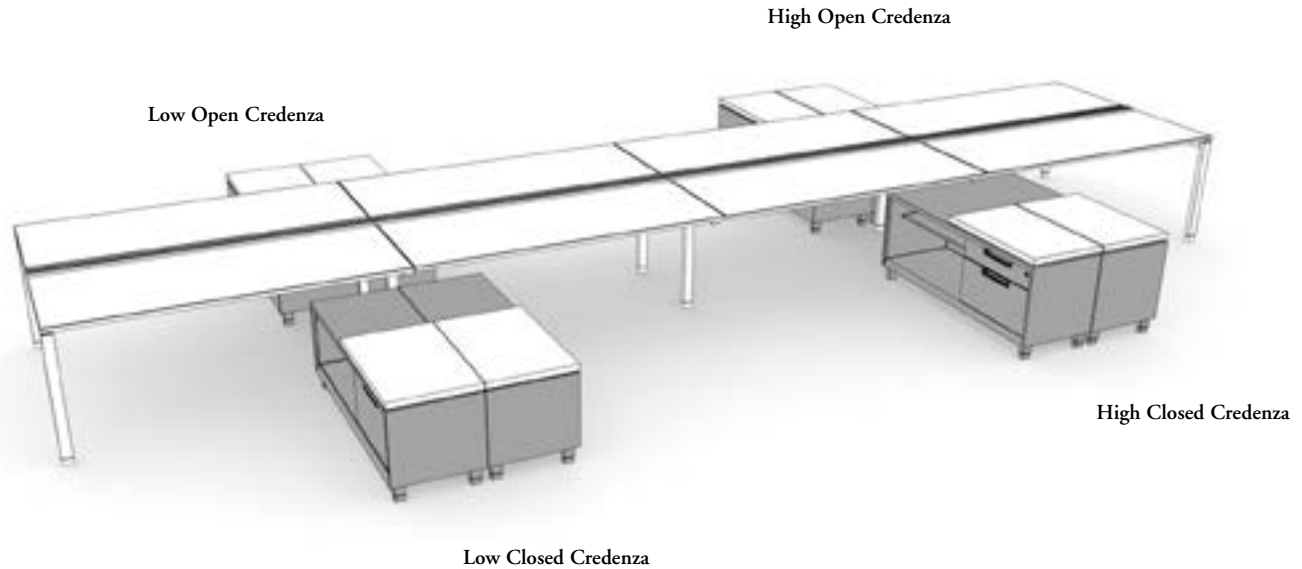
Ledger Mobile Pedestal with Seat (LPKN)



Ledger Small Box, File (Mobile with Seat)

Storage Unit	Standard Bench Structure at 24" deep	Standard Bench Structure at 30" deep	Standard Bench Structure at 36" deep
LPFN – Pedestal – Box/File (BF) 18" deep, 20.8" high	Yes	Yes	Yes
LPFN – Pedestal – Box/File (BF) 22" deep, 20.8" high	No	Yes	Yes
LPFN – Pedestal – Box/File (BF) 28" deep, 20.8" high	No	No	Yes
LPFN – Pedestal – Pencil/Box/File (PBF) 18" deep, 24" high	Yes	Yes	Yes
LPFN – Pedestal – Pencil/Box/File (PBF) 22" deep, 24" high	No	Yes	Yes
LPFN – Pedestal – Pencil/Box/File (PBF) 28" deep, 24" high	No	No	Yes
LPWN – Mobile Pedestal – Box/File (BF) 18" deep, 23.8" high	Yes	Yes	Yes
LPWN – Mobile Pedestal – Box/File (BF) 22" deep, 23.8" high	No	Yes	Yes
LPWN – Mobile Pedestal – Box/File (BF) 28" deep, 23.8" high	No	No	Yes
LPKN – Mobile Pedestal with Seat – Small Box/File (SF) 22" deep, 24.4" high	No	Yes	Yes

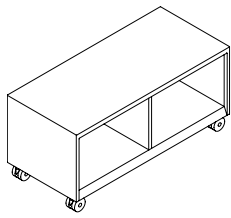
Interpret Credenzas are freestanding storage units that have been configured to work optimally within the Interpret system. The following outlines the features of Interpret Credenzas.



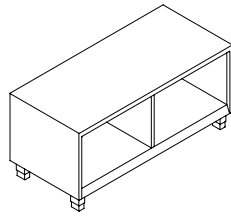
common features

- Available in two heights 19-1/2" (low) & 22-1/2" (high) including base/casters
- Available in widths from 30" - 72" in 6" increments
- Depth is always 19"
- Available in two painted colors
- Open sections fits Letter and A4 Binder sizes
- Available with 3 bottom styles: Casters, Legs or Plinth
- Casters, Legs and Plinth are a nominal 3-1/2" off the floor
- Legs and Plinth have a leveling range of 5/8" down and 1" up
- Credenzas **cannot** be powered and **cannot** accommodate red drawer accessories

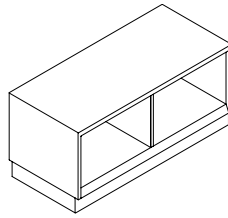
credenza basics (continued)



Casters



Legs



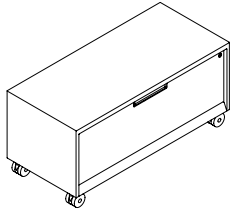
Plinth

(Only available up to 60" wide)

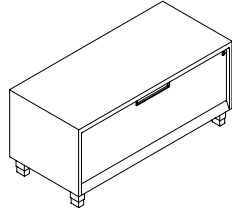
Low Open Credenza (WWGQ)

- All widths, 30" - 72" consist of 2 open sections
- Casters are only available on Low Open Credenzas up to 60" wide

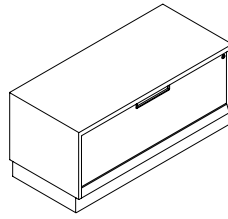
30" - 42" wide



Casters

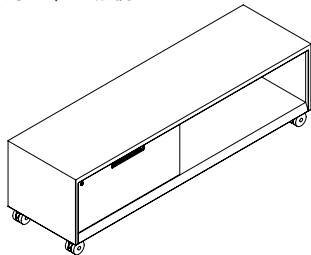


Legs

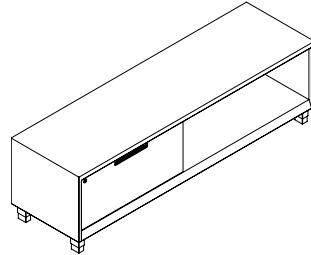


Plinth

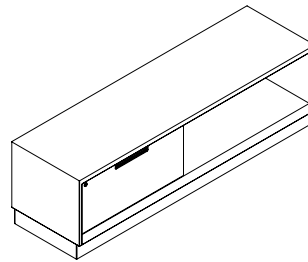
48" - 72" wide



Casters
(only up to 54" wide)



Legs

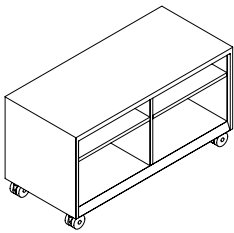


Plinth

Low Closed Credenza (WWGR)

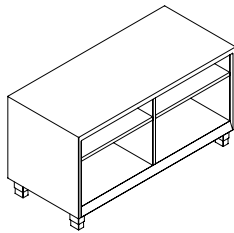
- Widths 30" - 42" consist of 1 filing drawer
- Widths 48" - 72" consist of 1 open section and 1 filing drawer
- Drawer provides full extension filing (see filing charts for filing capacity)
- Available lock option in Key Alike or Key Random
- Handedness is determined by the location of the open section
- Casters available only up to 54" wide
- Lock location is always on the right for widths 30", 36" & 42". On larger widths, lock location is always on the exterior side, opposite side of the cubby

credenza basics (continued)

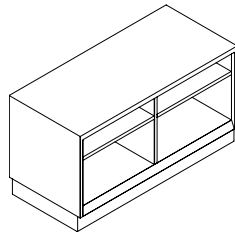


Casters

(Only available up to 42" wide)



Legs

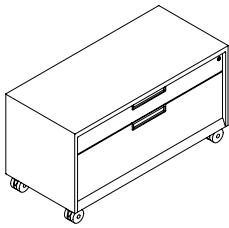


Plinth

High Open Credenza (WWGZ)

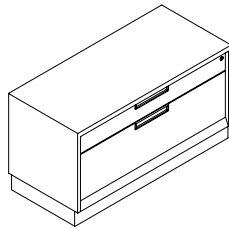
- All widths, 30" - 72" consist of 4 open sections
- 2 adjustable positions for shelf
- When shelf is placed in the upper position, the configuration fits Letter and A4 binder sizes
- Casters are only available on High Open Credenzas up to 42" wide

30" - 42" wide

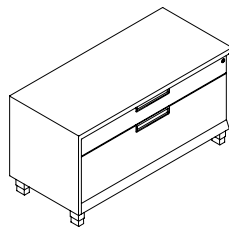


Casters

(Only available up to 36" wide)

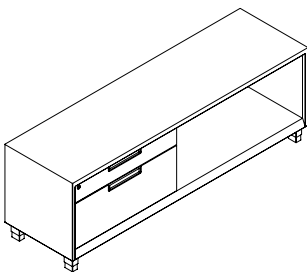


Legs

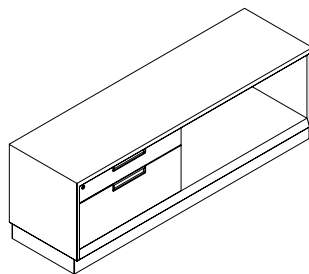


Plinth

48" - 72" wide



Legs



Plinth

High Closed Credenza (WWGA)

- Widths 30" - 42" consists of 1 small box and 1 filing drawer
- Widths 48" - 72" consists of 1 open section with an adjustable shelf, and another section with 1 small box and 1 file drawer
- 2 adjustable positions for shelf
- When shelf is placed in the upper position, the configuration fits Letter and A4 Binder sizes
- Available lock option in Key Alike or Key Random
- Handedness is determined by the location of the open section
- Casters are available only up to 36" wide
- Counterweights are necessary when casters are chosen but optional with the leg or plinth skirt option
- Lock location is always on the right for widths 30", 36" & 42". On larger widths, lock location is always on the exterior side, opposite side of the cubby

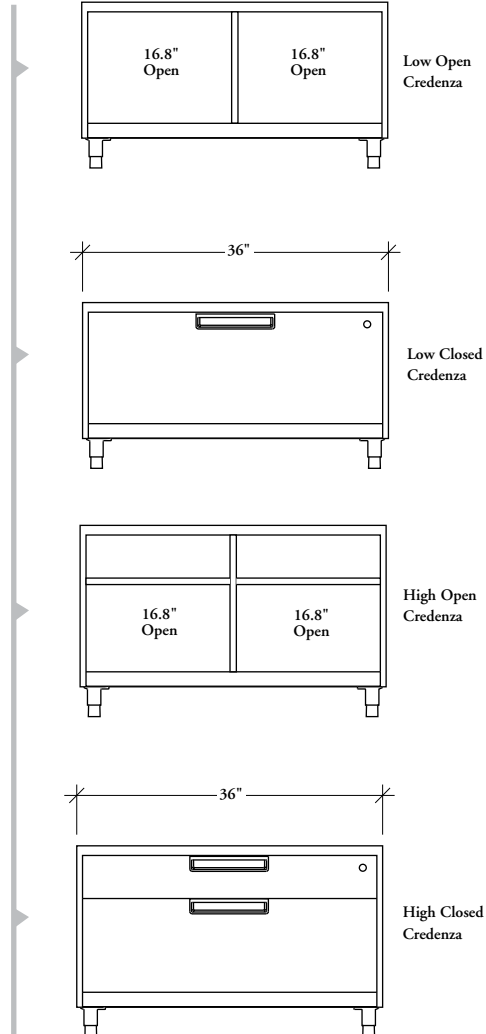
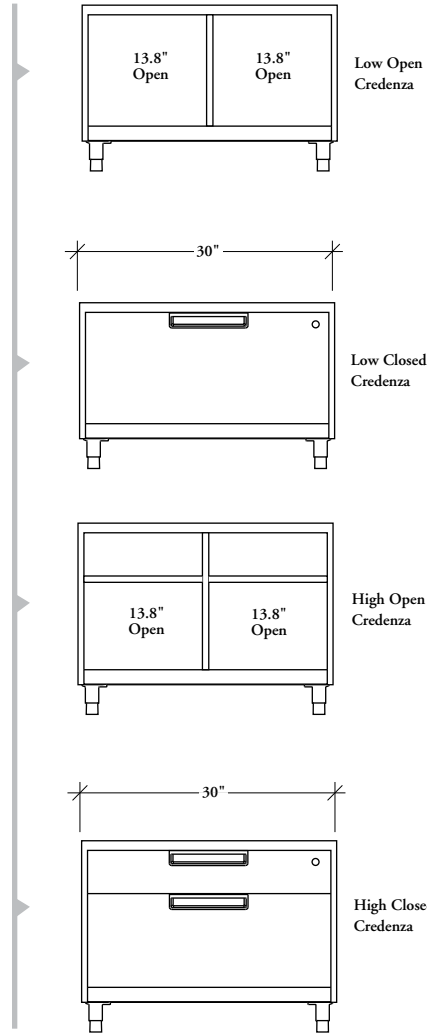
credenza open section & drawer widths

The following illustrates Interpret credenza drawer and open section widths as it relates to each overall widths.

30" Width

36" Width

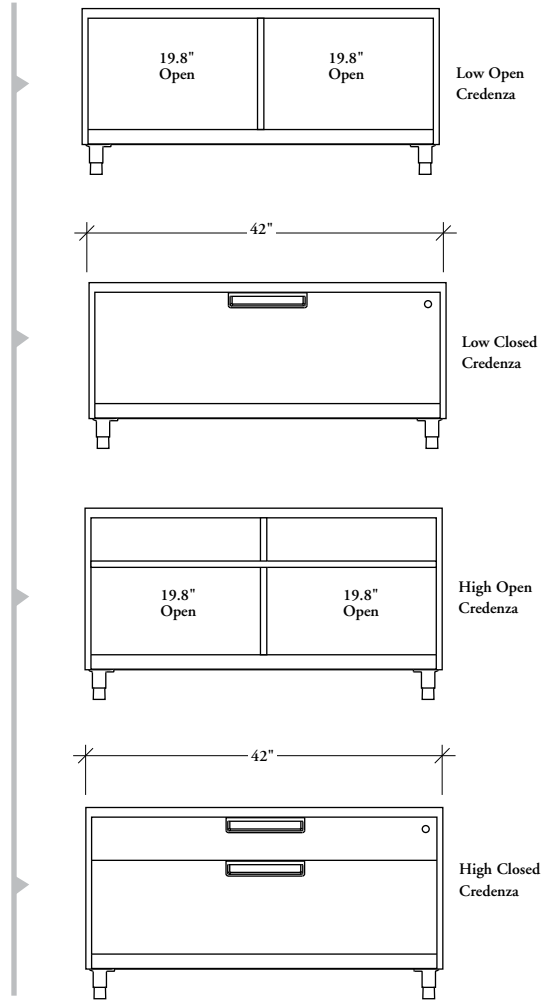
156



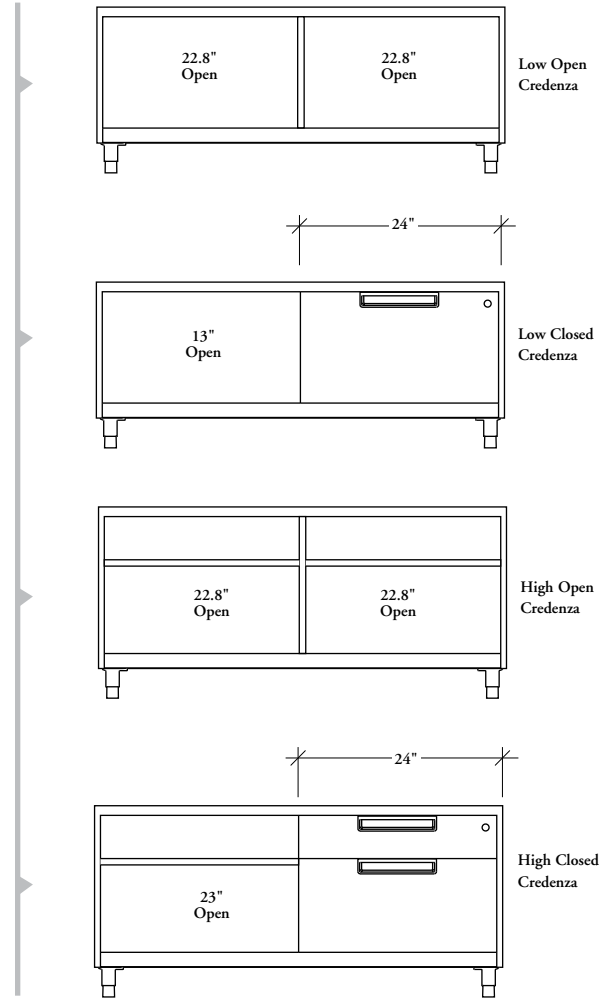
Note: All dimensions shown are actual.

credenza open section & drawer widths (continued)

42" Width



48" Width (all left shown for closed credenzas)



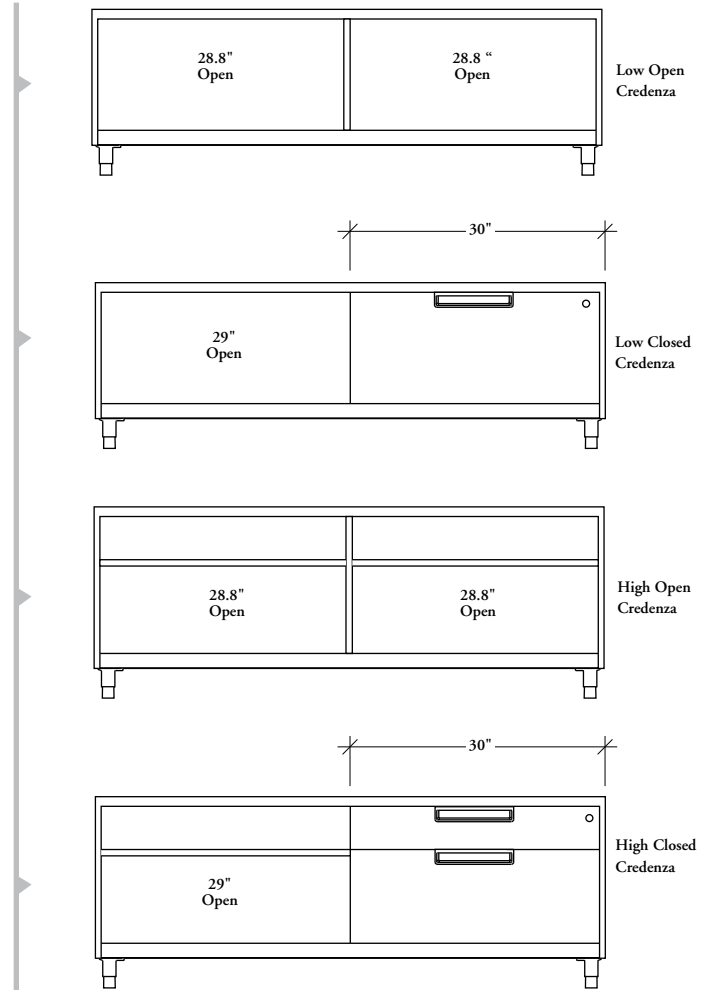
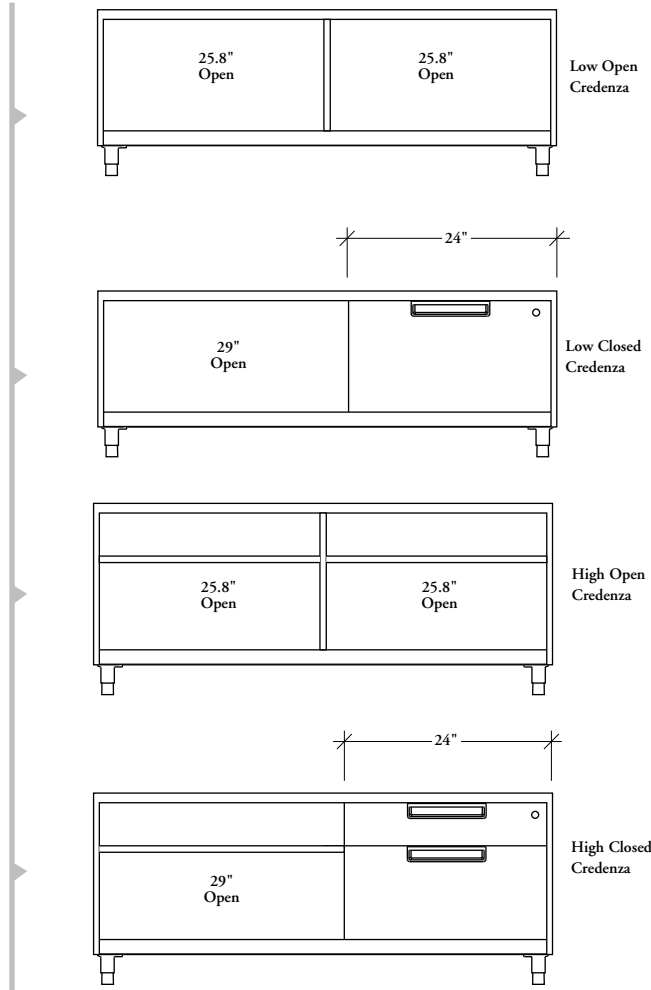
Note: All dimensions shown are actual.

credenza open section & drawer widths (continued)

54" Width (all left shown for closed credenzas)

60" Width (all left shown for closed credenzas)

158

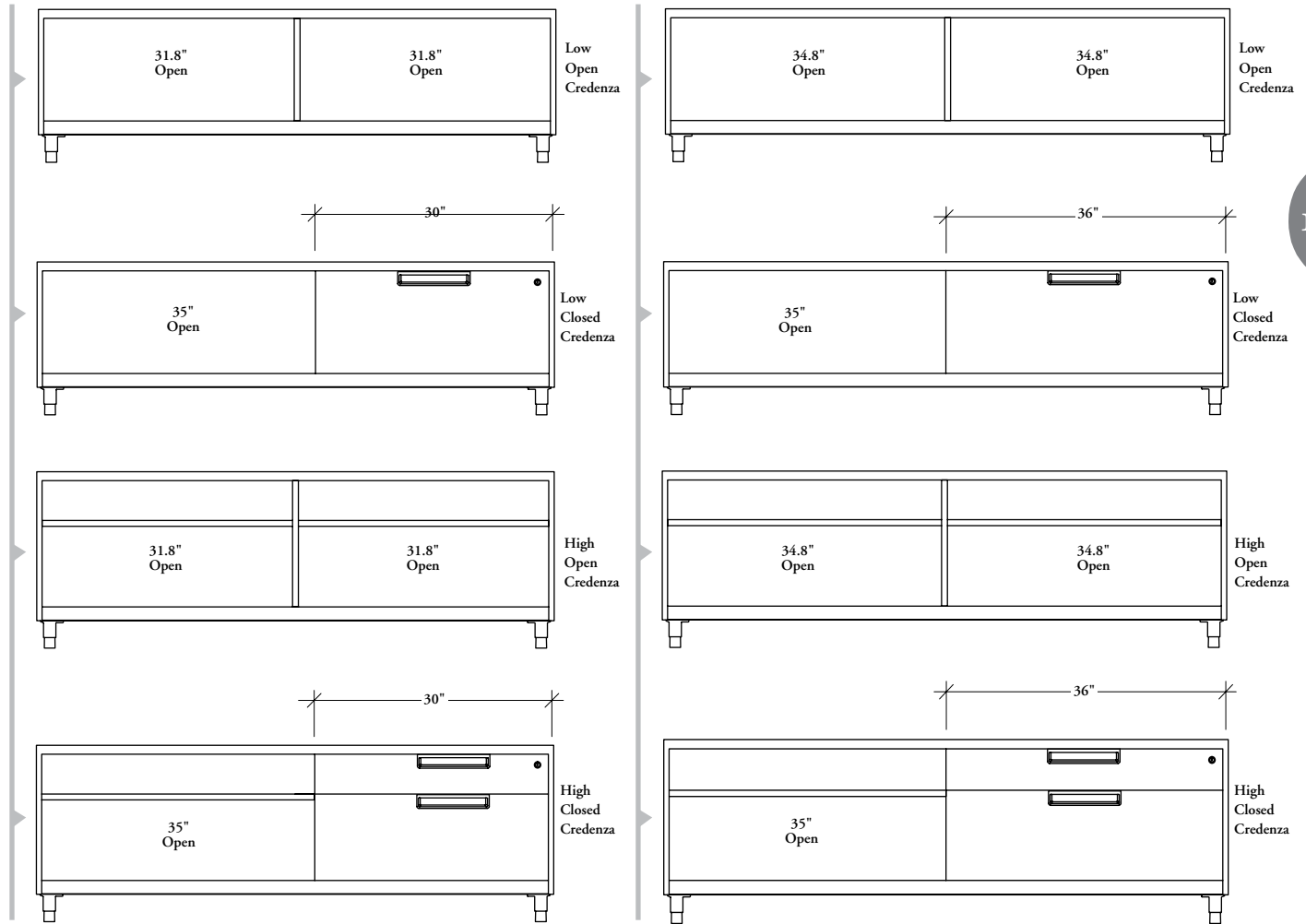


Note: All dimensions shown are actual.

credenza open section & drawer widths (continued)

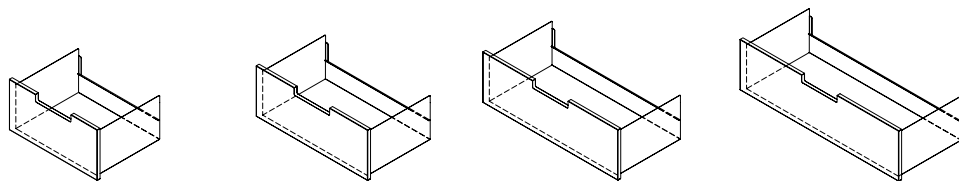
66" Width (all left shown for closed credenzas)

72" Width (all left shown for closed credenzas)



Note: All dimensions shown are actual.

linear filing capacity

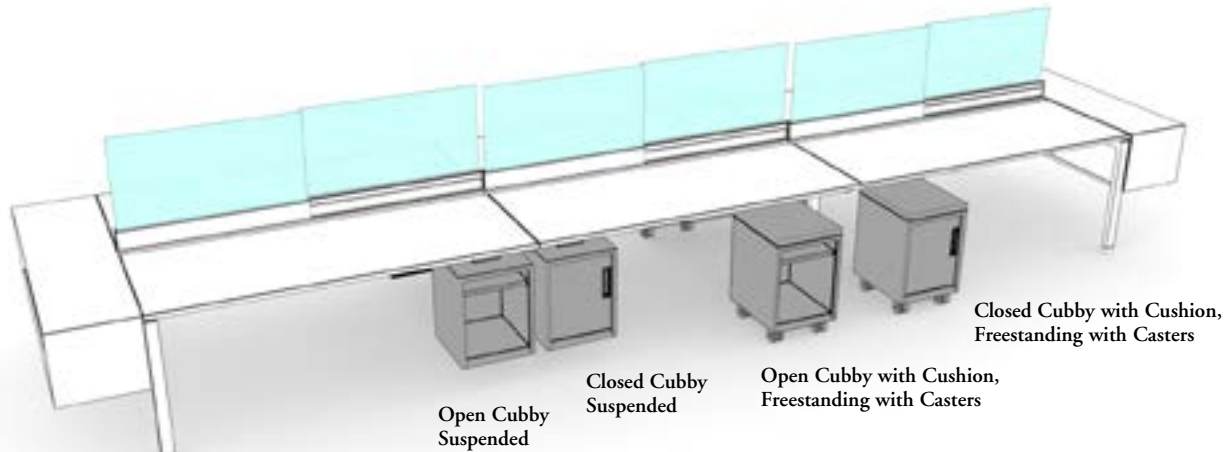


18" Deep	24" Wide	30" Wide	36" Wide	42" Wide
Side-to-Side	20-5/8"/52cm	26-5/8"/68 cm	32-5/8"/83 cm	38-5/8"/98 cm
Front-to-Back	15-1/4"/39cm + 6-5/8"/17cm side space	30-1/2"/77 cm	30-1/2"/77 cm + 6-5/8"/17 cm side space	45-3/4"/116 cm

cubby basics

Interpret cubbies are storage units that provide personal non-filing storage. They have been configured to work optimally within the Interpret system. They are available as freestanding units or suspended from the bench frame.

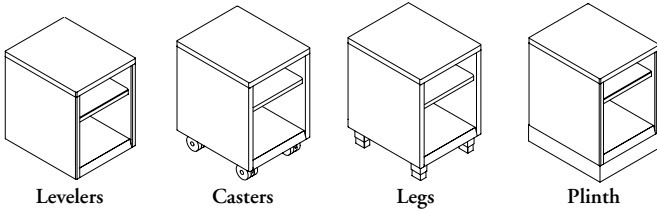
160



common features

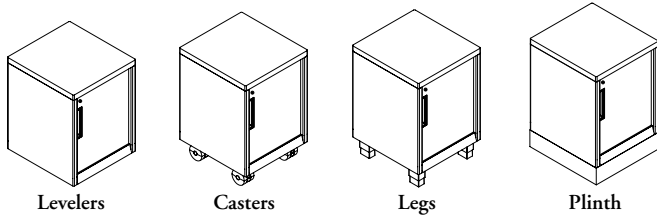
- Available in 4 bottom styles: Casters, Legs, Plinth or Leveler
- Depths are available in 16" & 18"
- Cubbies are 22-1/2" high with Casters, Legs & Plinth and 19.2" high with Levelers
- Fits Letter and A4 Binder sizes when shelf is in the top location
- Casters, Legs and Plinth are a nominal 3-1/2" off the floor
- Legs and Plinth have a leveling range of 5/8" down and 1" up
- Closed Cubbies are always lockable
- Casters are a medium gray
- Available with secondary color option
- Cubbies **cannot** be powered

cubby basics (continued)



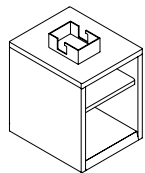
Open Cubby (WWGY) – (Freestanding)

- Available in 15" wide only
- Consists of 2 open sections with 1 shelf in 2 adjustable positions
- When shelf is placed in the lower position the shelf lines up with datum height of low credenza
- When shelf is placed in the upper position the lower section fits Letter and A4 Binder sizes
- Is available with a fixed cushion option in a tailored fit



Closed Cubby (WWGU) – (Freestanding)

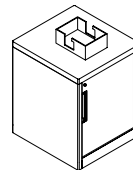
- Available in 15" wide only
- Handedness is determined by the location of the hinge
- Lock location is above the handle
- Always keyed randomly
- Is available with a fixed cushion option in a tailored fit
- Always comes with a lock



Suspended

Open Cubby (WWGY) – (Suspended)

- Available in widths 12" & 15"
- Consists of 1 open section with 1 shelf in two adjustable positions
- When shelf is placed in the upper position, the lower section fits Letter & A4 Binder sizes
- Suspended 6" off the floor
- Brackets are included
- **Cannot** be used on a frame with the Accommodation Kit (WWSKL)



Suspended

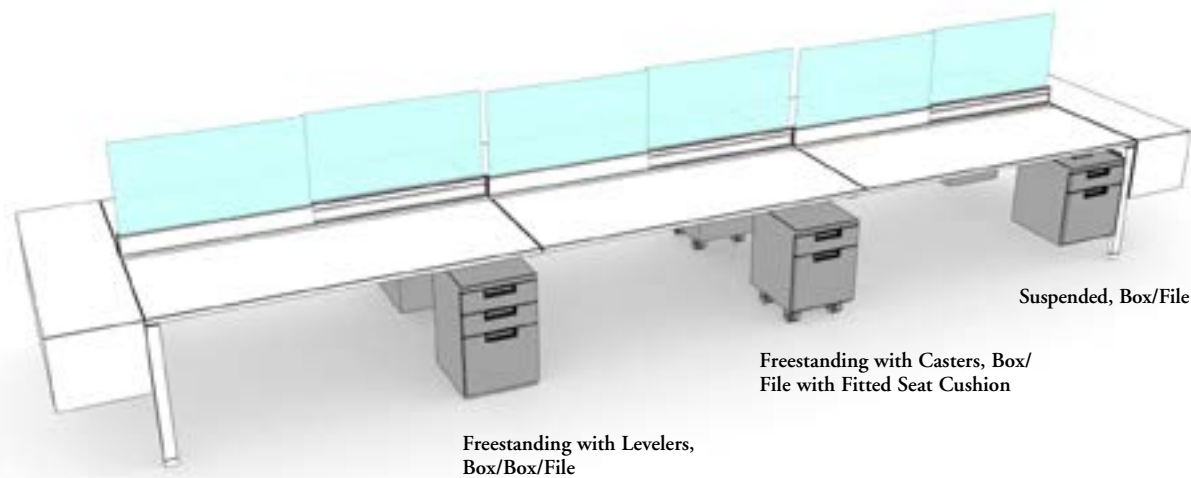
Closed Cubby (WWGU) – (Suspended)

- Available in widths 12" & 15"
- Consists of 1 closed section with 1 swing door
- Handedness is determined by the location of the hinge
- Suspended 6" off the floor
- Always keyed Randomly
- Lock location is above the handle
- Brackets are included
- **Cannot** be used on a frame with the Accommodation Kit (WWSKL)

pedestal basics

Interpret Pedestals are storage units that have been configured to work optimally within the Interpret system. They are available as freestanding units or suspended above the floor.

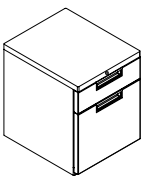
162



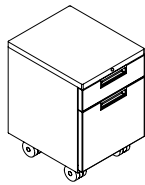
common features

- Drawer provides full extension filing (see filing charts for filing capacity)
- Available lock option in Key Alike or Key Random
- Available counterweight option on freestanding pedestals and casters always come with a counterweight
- Available with secondary color option
- **Cannot** be powered and **cannot** accommodate red drawer accessories
- Available Suspended

pedestal basics (continued)



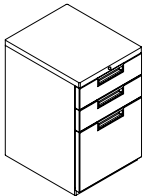
**Box/File
Freestanding
(Levelers)**



**Box/File
with Casters**

Pedestal Box/File, Freestanding (WWGH)

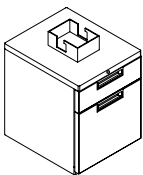
- Available in 15" wide and 18" deep
- Available in 2 bottom modifier styles: Levelers or Casters
- With casters, height is 22-1/2" and with levelers, height is 19.2"
- Casters are a nominal 3-1/2" off the floor
- Casters are a medium gray
- Is available with a fixed cushion option in a tailored fit
- Counterweight comes standard when casters option is selected



**Box/Box/File
Freestanding**

Pedestal Box/Box/File (WWGH)

- Available in 1 size only, 24" high, 15" wide and 18" deep
- Available only with Levelers casters **not** available



**Box/File
(Suspended)**

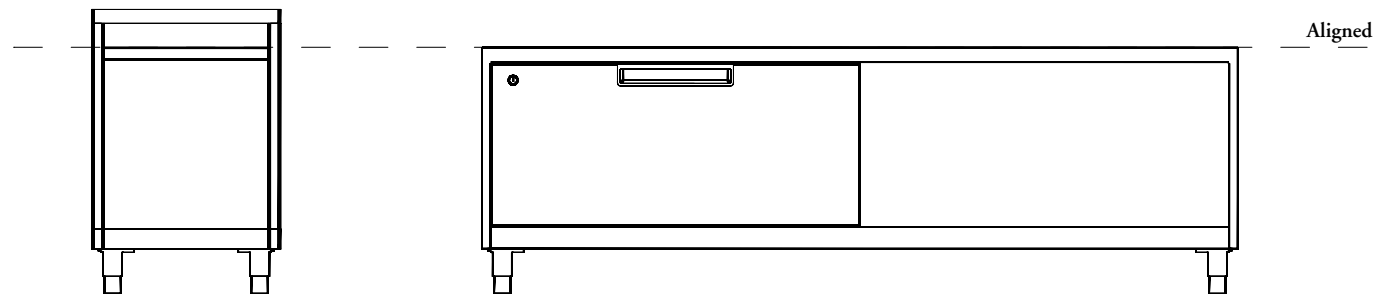
Pedestal Box/File, Suspended (WWGH)

- Available in 1 size only, 19.2" high, 15" wide and 18" deep
- Available with secondary color option
- Suspended 6" off the floor
- Brackets included

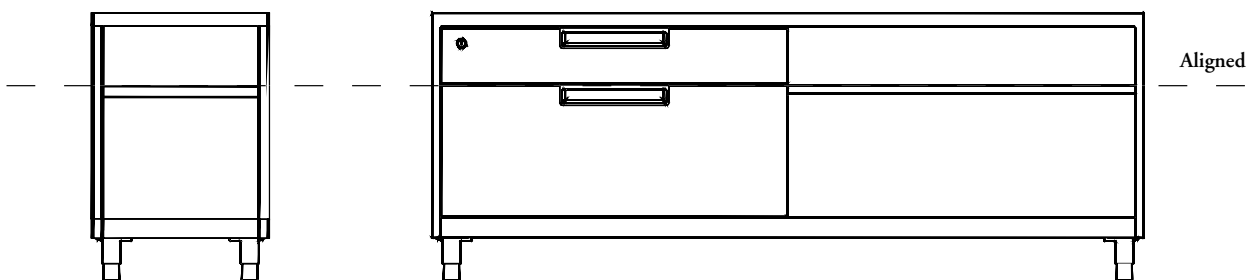
planning with cubbies & pedestals

The following should be considered when planning with Interpret Cubbies & Pedestals.

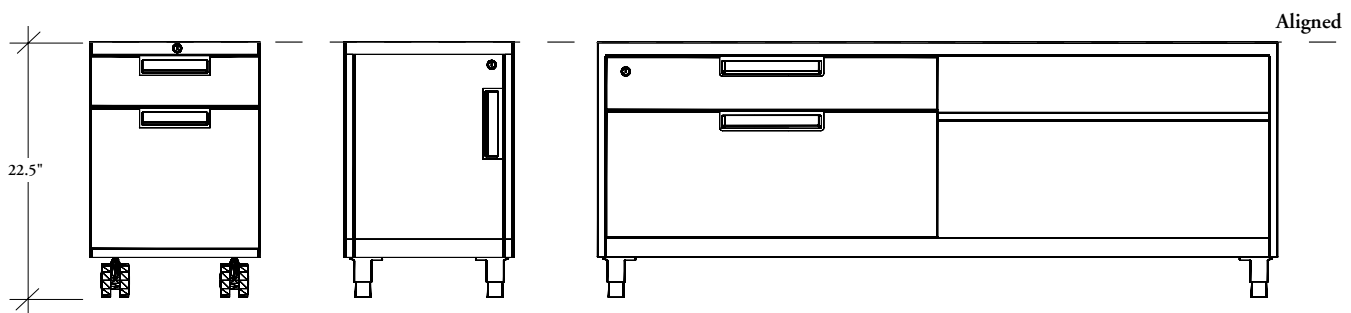
If planning with Open Cubbies and Low Credenzas side-by-side, the adjustable shelf of the Open Cubby can be positioned so that top of the shelf lines up with the top of the Low Credenza.



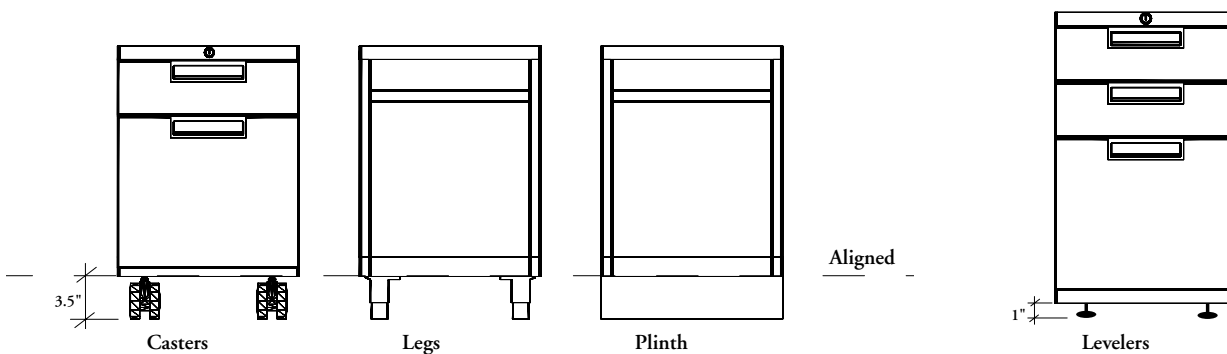
Shelf in upper position, aligns with top of Low Credenza.



Shelf on Cubby is aligned with shelf on Credenza.



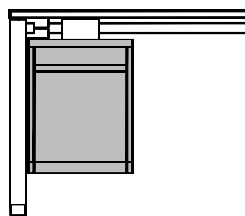
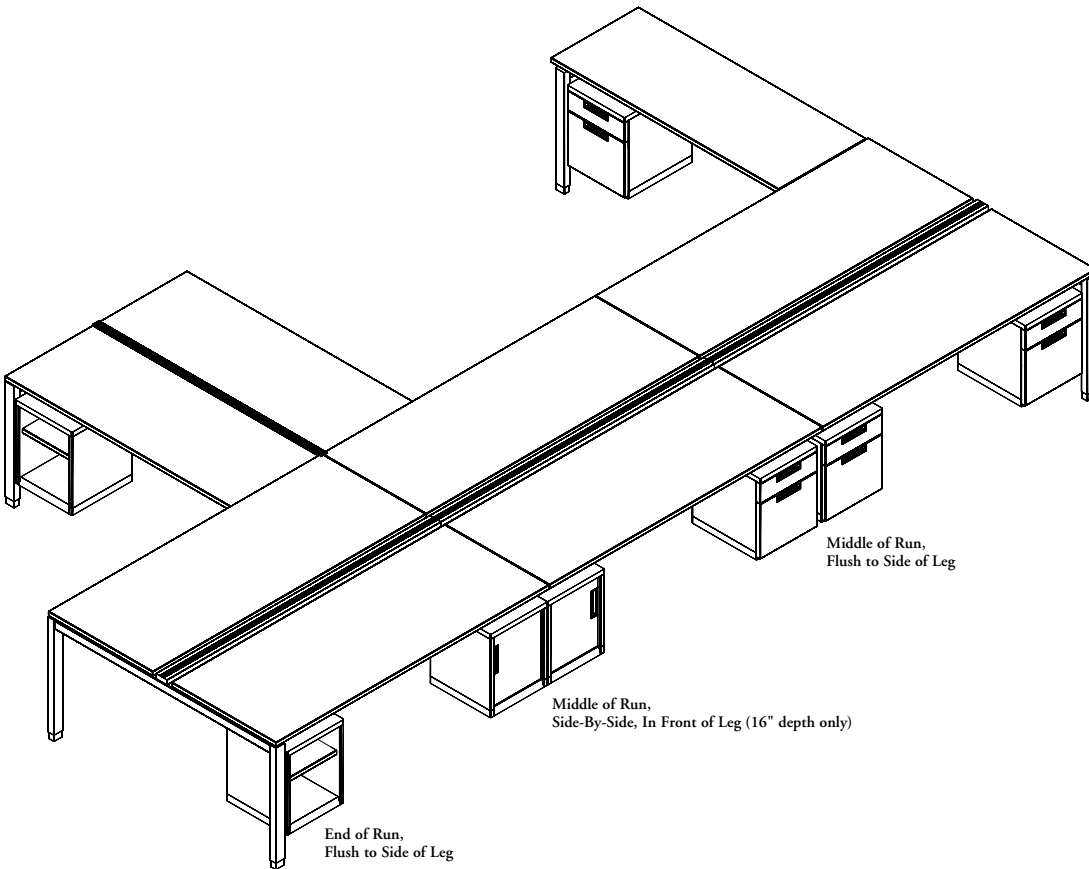
Interpret Pedestals with casters, Interpret Cubbies with legs, plinth or casters, and Interpret High Credenzas with Legs, plinth or casters, align at a datum of 22-1/2".



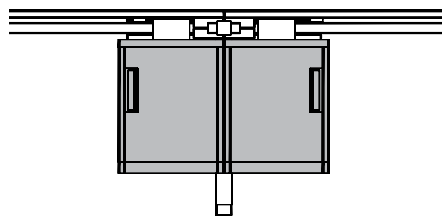
Please Note: bottom styles (casters, plinth and legs) are elevated at a nominal 3-1/2" and levelers only are a maximum 1" off the floor.

planning with cubbies & pedestals (continued)

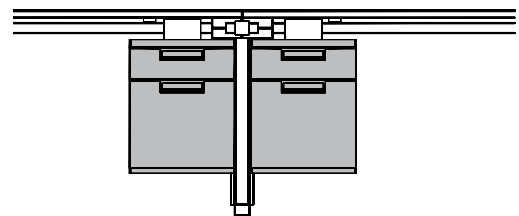
Open and Closed Suspended Cubbies and Suspended Pedestals can only be positioned beside the legs of any Bench Frame or Work Table. Suspended Cubbies and Pedestals **cannot** be positioned in the middle of a worksurface.



End of Run, Flush to Side of Leg



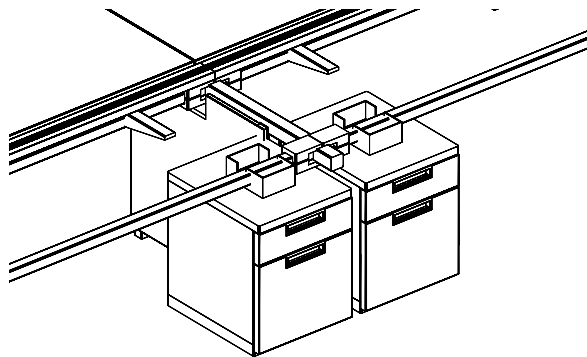
Middle of Run, Side-By-Side, In Front of Leg



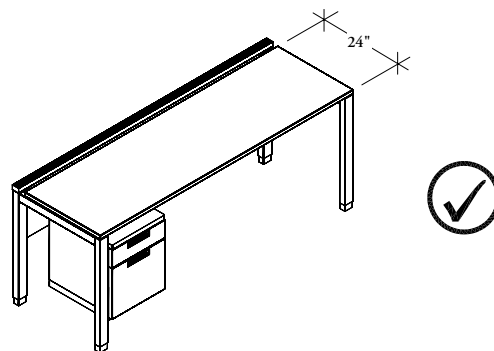
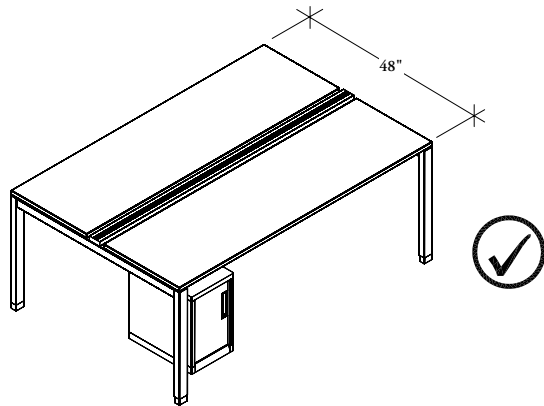
Middle of Run, Flush to Side of Leg

- Flip-Down Data Trays (WWEDT) **cannot** be used with Suspended Pedestals or Cubbies
- Refer to product installation guide for details when installing 18" deep Cubbies or Pedestal with the Data Tray (WWEDA) on 48" deep frames

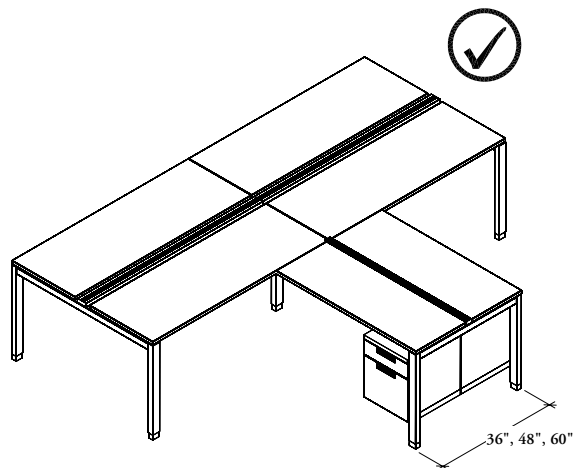
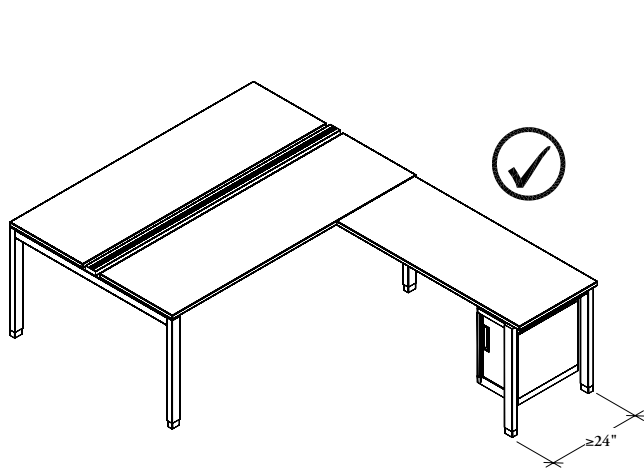
planning with cubbies & pedestals (continued)



- If a Recessed Intermediate Leg Cover (WWCMC) is being used to provide vertical power & data routing, then 18" deep Cubbies & Pedestals need to be positioned as middle of run, flush to side of leg as shown
- 16" deep Cubbies & Pedestal can still be planned side-by-side
- If a Recessed Mid Gable Reinforcement with Cover (WWSMGC) is being used 18" deep Cubbies & Pedestals need to be positioned at the middle of run, flush to side of cover



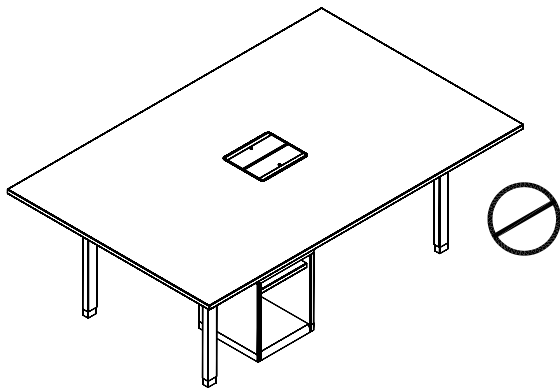
- 18" deep Cubbies and Pedestals can be used with 24" deep worksurfaces on Double-Sided or Single-Sided Benches
- Refer to Installation Guides when installing suspended storage on a 48" deep frame (24" on Single Sided) as Data Trays will require some adjustments



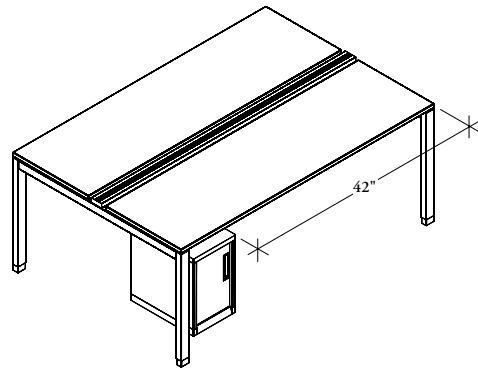
- One Cubby or Pedestal can be used with a Return Frame for Single Worksurface
- 18" depth returns **cannot** support pedestals or cubbies

Two cubbies or pedestals can be used back-to-back on a Return Frame for Two Worksurfaces.

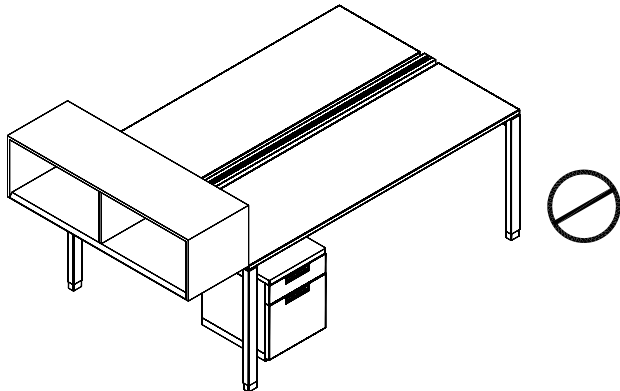
planning with cubbies & pedestals (continued)



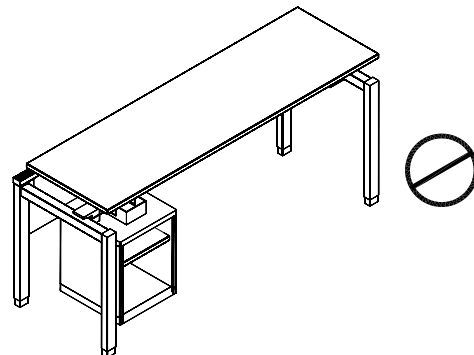
Cubbies & Pedestals **cannot** be Suspended from Meeting Tables (WWTMT).



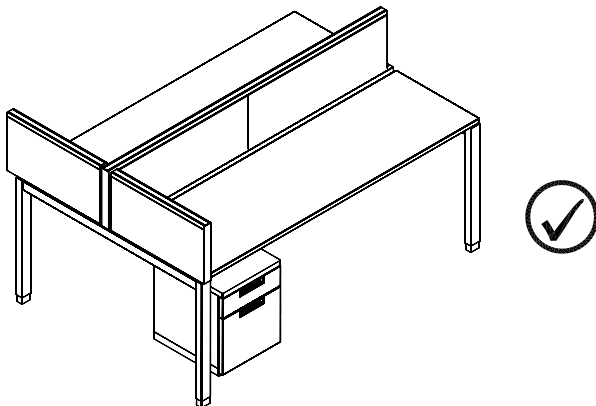
When planning with suspended cubbies or pedestals, it is recommended to leave 42" wide clearance from the inside of the leg to the side of the case.



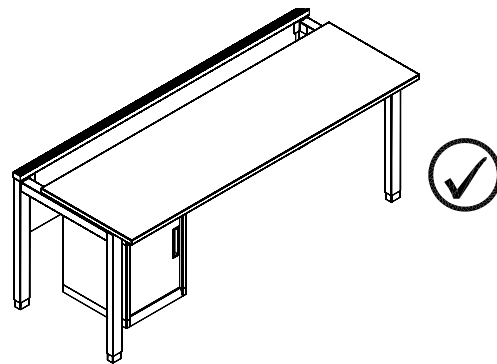
Suspended Cubbies and Pedestals **cannot** be planned with Above End Mounted Storage.



Suspended Cubbies and Pedestals **cannot** be planned with height-adjustable tables.

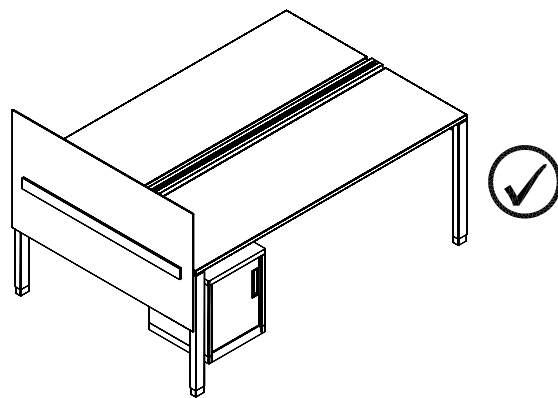
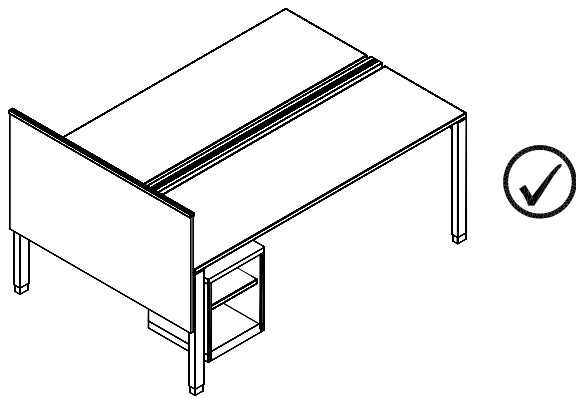


Cubbies and Pedestals can be planned with Lateral Screens.

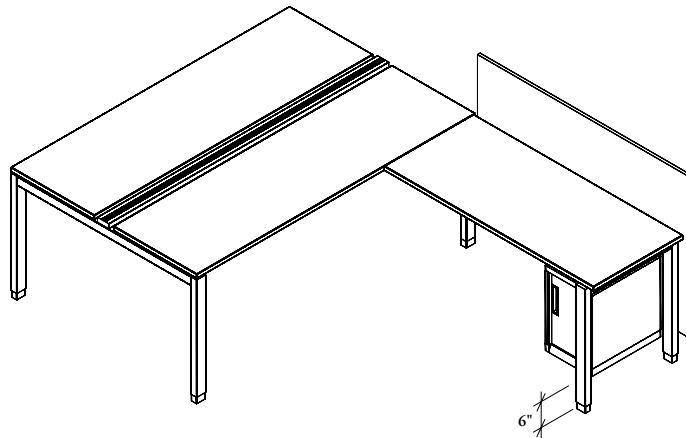
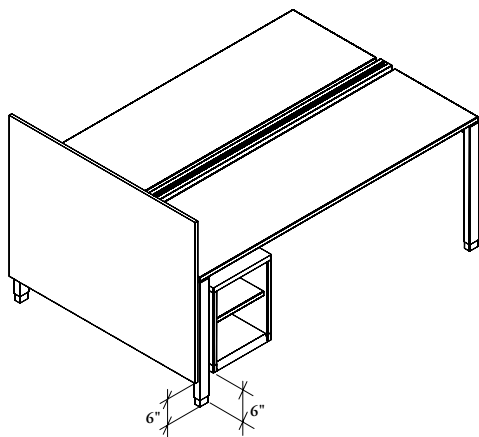


Cubbies and Pedestals can be planned with Sliding Worksurfaces.

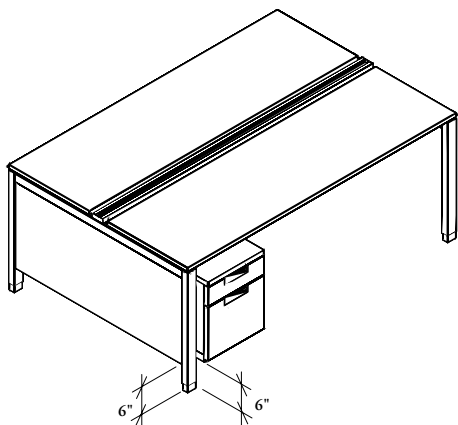
planning with cubbies & pedestals (continued)



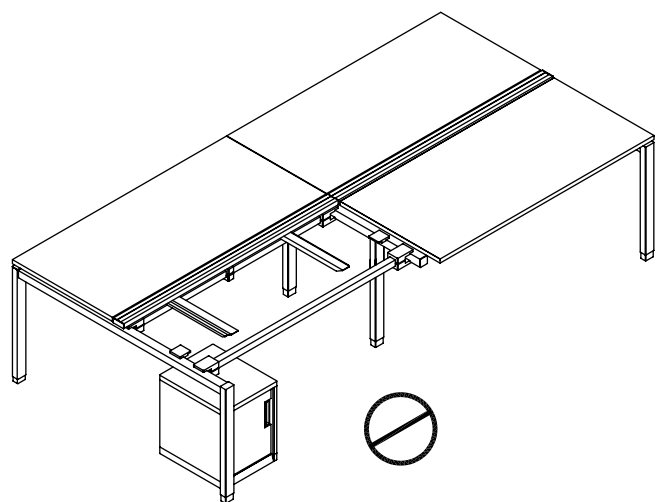
Suspended Cubbies & Pedestals can be planned with Solid (WWCBS) or Glass End Gable Overlay Screens (WWCBG).



The bottom of the Suspended Cubby & Pedestal lines up with the bottom of the Solid and Glass End Gable Overlay Screen with an elevated base (6" from the ground).



Suspended Cubbies & Pedestals can be planned with End Gable Infill (WWCGB). The bottom of the Suspended Cubby & Pedestal lines up with the bottom of the Elevated End Gable Infill (6" off the ground).

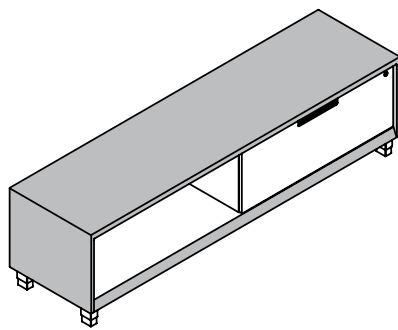


Cubbies and Pedestals **cannot** be suspended from a frame with the Accommodation Kit (WWSKL).

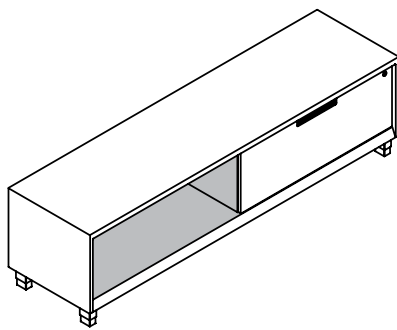
The following should be considered when selecting finishes for Interpret Credenzas.

- Cases and Handles are available in Foundation, Mica & Accent. Cases and Handles can be finished in two colors, one on the exterior and one on the interior
- Drawer fronts are available in Foundation, Mica & Accent, Flintwood or Source Laminate
- Grain direction on Flintwood doors is vertical
- Base finish refers to legs or plinth base only. Finishes available are Foundation, Mica & Accent
- Casters are available in Grey
- A maximum of two paint colors can be chosen per each unit

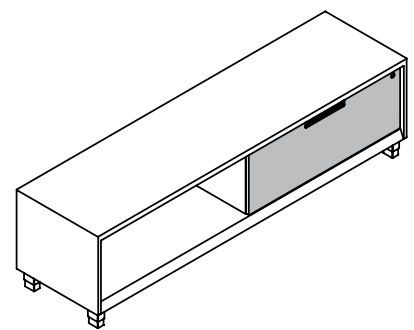
Credenza have 6 possible areas that can be painted as desired:



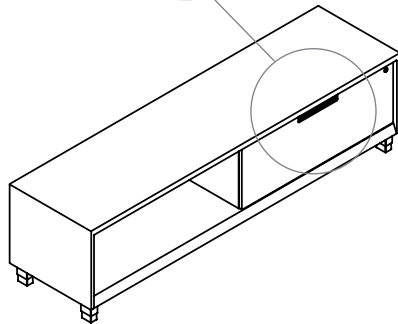
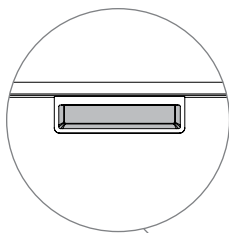
Case Exterior



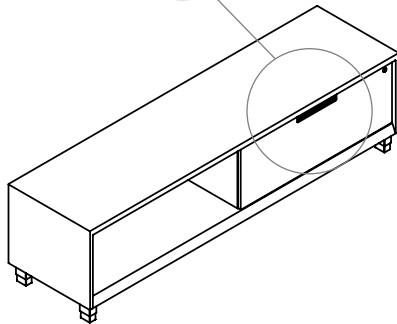
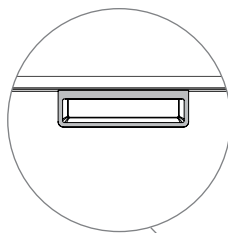
Case Interior
(On Open Credenza or Closed Credenza $\geq 48"$)



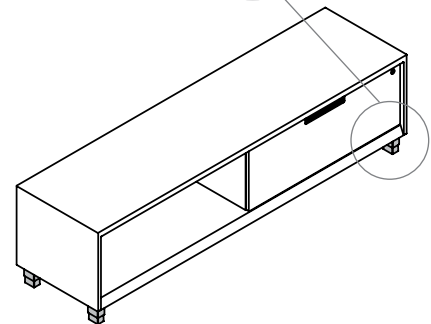
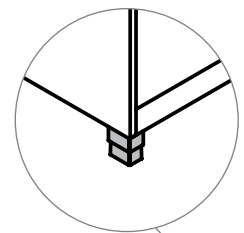
Drawer Front
(On Closed Credenzas)



Handle Interior (If applicable)



Handle Exterior (If applicable)



Bottom Modifier (only applies to
Leg or Plinth Base)

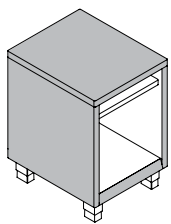
cubby finishes

The following should be considered when selecting finishes for Interpret Cubbies.

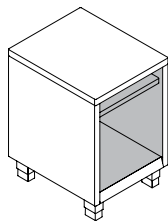
- Cases and Handles are available in Foundation, Mica & Accent. Cases & Handles can be finished in two colors, one on the exterior and one on the interior
- Drawer fronts are available in Foundation, Mica & Accent, Flintwood or Source Laminate
- Grain direction on Flintwood doors are vertical
- Bottom Modifier finish refers to legs or plinth base only. Finishes available in Foundation, Mica & Accent
- Casters are available in Grey
- A maximum of two paint colors can be chosen per unit

170

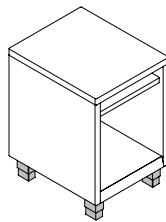
Open Cubbies have 3 possible areas that can be painted as desired:



Case Exterior

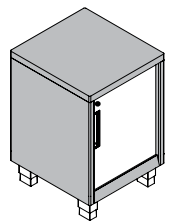


Case Interior

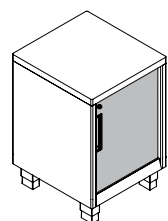


Bottom Modifier
(only applies to Legs or Plinth Base)

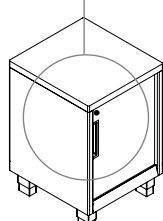
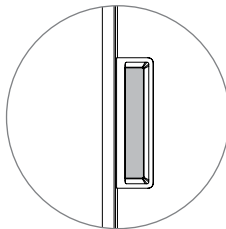
Closed Cubbies have 5 possible areas that can be painted as desired:



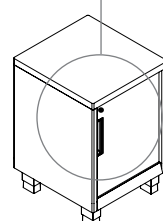
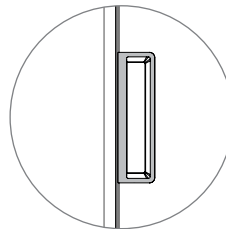
Case Exterior



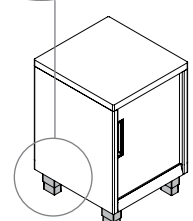
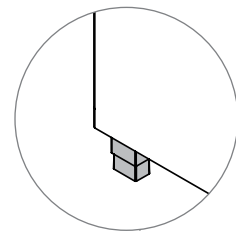
Door Front



Handle Interior



Handle Exterior

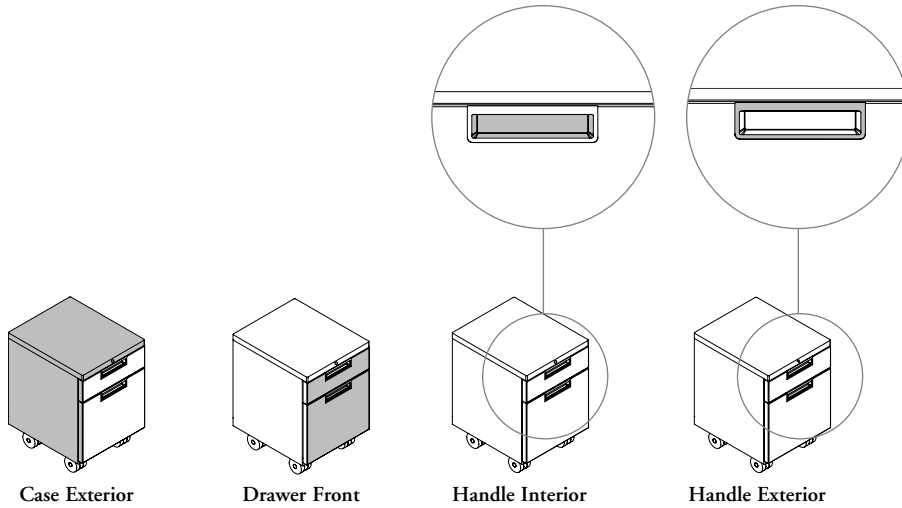


Bottom Modifier
(only applies to Legs or Plinth Base)

The following should be considered when selecting finishes for Interpret Pedestals.

- Cases and Handles are available in Foundation, Mica & Accent. Handles can be finished in two colors, one on the exterior and one on the interior.
- Drawer fronts are available in Foundation, Mica & Accent, Flintwood or Source Laminate
- Grain direction on Flintwood doors is vertical.
- Casters available in Grey
- A maximum of two paint colors can be chosen per unit

Pedestals have 4 possible areas that can be painted as desired:

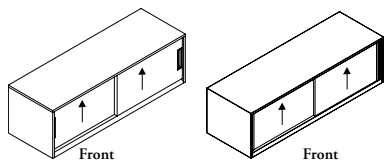


grain direction

Attention to grain direction is important when planning with storage. The following examples demonstrate this. Laminates do not have a one-way grain direction but rather a bi-directional grow pattern.

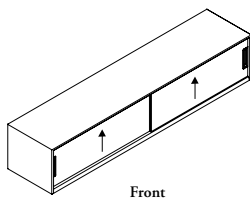
172

Closed Overhead – Wood Doors (WWGCW)



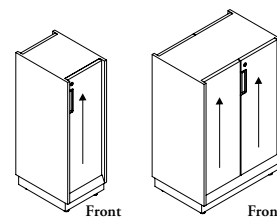
Laminate & Flintwood

Closed End Mounted Storage Cabinet – Wood Doors (WWGLW)



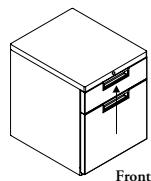
Laminate & Flintwood

Support Locker (WWGK)



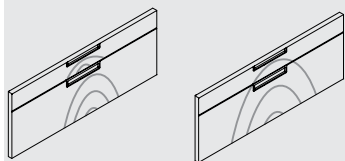
Laminate & Flintwood

Pedestal (UFL)



Laminate & Flintwood

Grain Matching Fronts

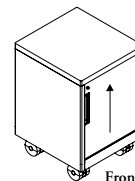


Laminate grains
DO NOT
match across fronts on:

Flintwood grains
DO match Vertically
across fronts on:

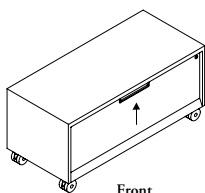
Overheads, End Mounted Storage,
Support Lockers, Pedestals,
Cubbies & Credenzas

Closed Cubby (WWGU)



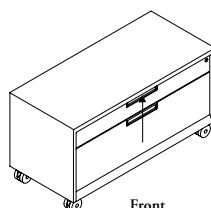
Laminate & Flintwood

Low Closed Credenza (WWGR)



Laminate & Flintwood

High Closed Credenza (WWGA)

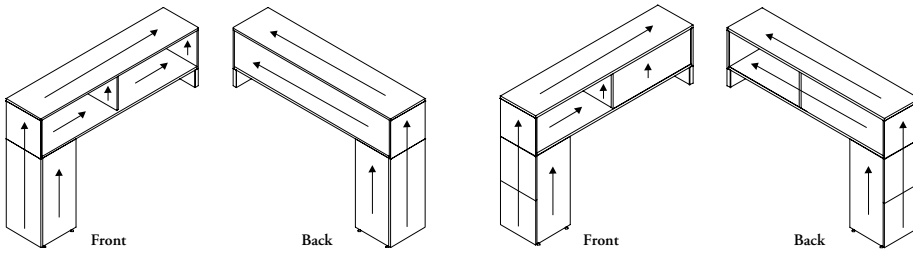


Laminate & Flintwood



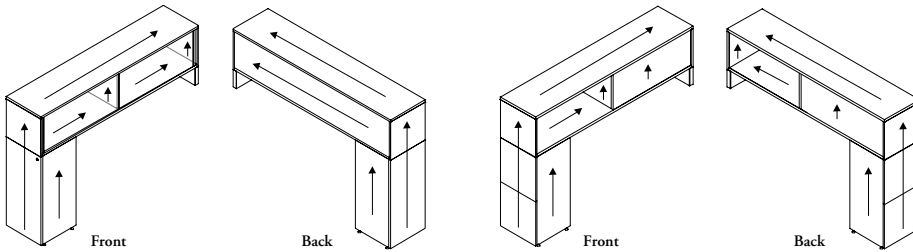
grain direction (continued)

Open Wood Lateral Mounted Storage Cabinet (WWGRN)



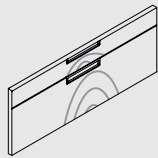
Laminate & Flintwood

Closed Wood Lateral Mounted Storage (WWGRC)

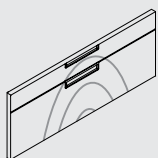


Laminate & Flintwood

Grain Matching Fronts



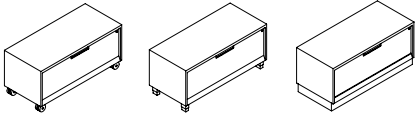
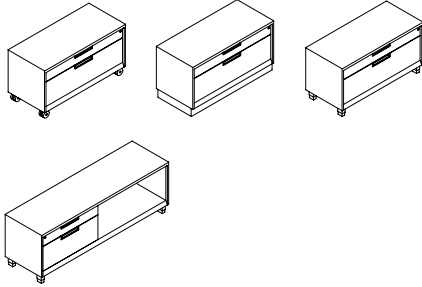
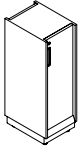
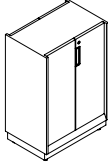
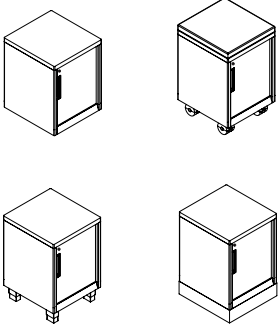
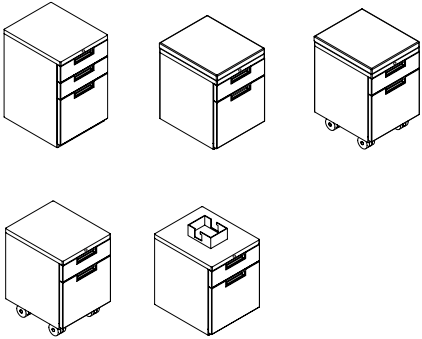
Laminate grains
DO NOT
match across fronts on:



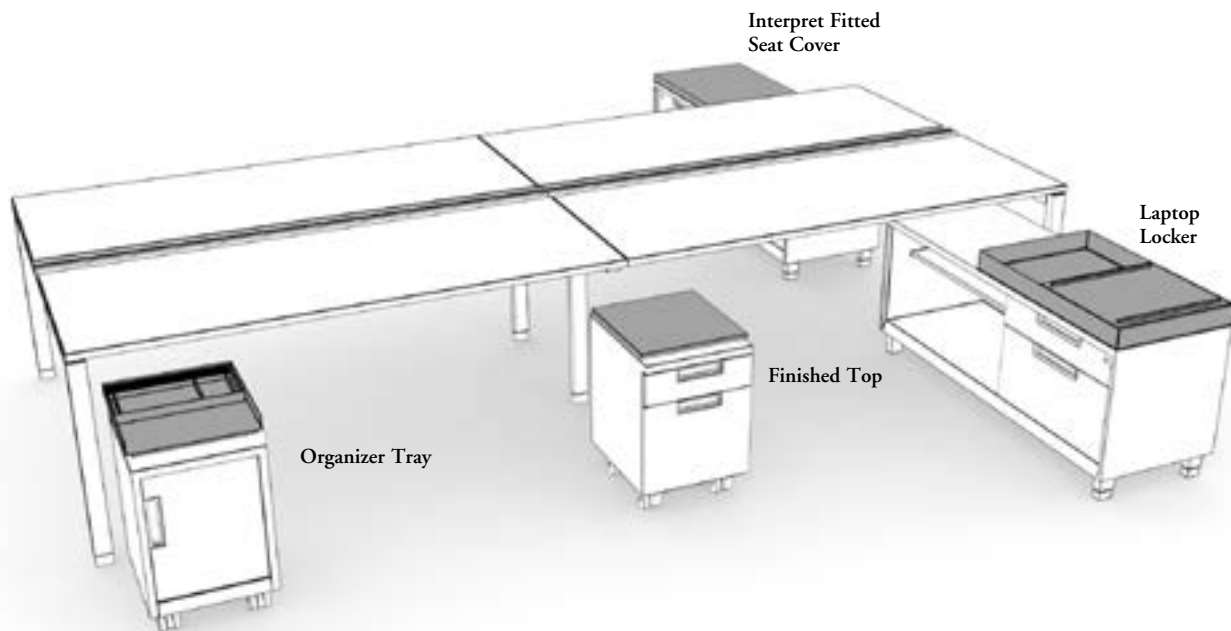
Flintwood grains
DO match Vertically
across fronts on:

Credenza Drawers

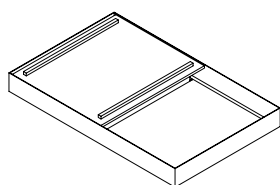
lock chart

	number of locks		number of locks
 <p>WWGR</p>	1 x	 <p>WWGA</p>	1 x
 <p>WWGKS</p>	1 x	 <p>WWGKD</p>	2 x
 <p>WWGU</p>	1 x		1 x

Interpret Storage units can be customized with the addition of accessories to improve work flow and organization.



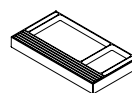
176



Laptop Locker (WWGXTS)

The Laptop Locker provides customization and utility to the top of Interpret Credenzas. Includes a low profile case with a lockable sliding lid that provides security on either side, leaving the other side open for workflow organization.

- Available 30" wide, 19" deep and 3" high
- Only one side can be locked at a time
- The interior liner provides a soft landing for electronics such as laptops, tablets and smartphones
- It is fixed to the top of a credenza
- Installer repositionable
- Available for use on credenzas only
- It can be specified in two colors. The lid and handles will be one color and the case will be the other color
- Available in Foundation, Mica & Accent

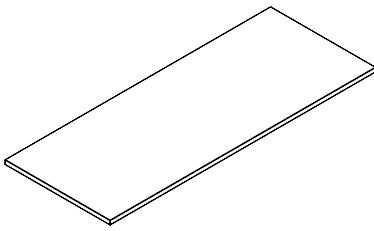


Organizer Tray (WWGXM)

The Organizer Tray can be used as a standalone product or integrated with a number of other Interpret storage products.

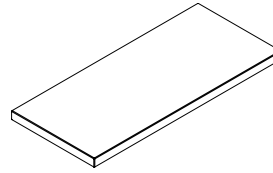
- Available 15" deep, 2" high and 8" wide
- The tray is not fixed and can be repositioned as needed by the end user
- Divided into two sides, one side is sectioned for placing most smartphones and organizing assorted desk supplies. The other side is an undivided space for placing tablets
- Made of rubber, the tray provides a soft landing for electronics such as tablets and smartphones
- Available in gray

accessory basics (continued)

**Finished Top (WWGXW)**

The Finished Top elevates the look of freestanding storage units and provides the option to coordinate finish choices in other areas of the Interpret workstation.

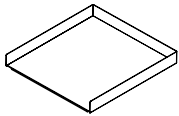
- Affixes to the top of a storage unit
- Available in widths, 15" & 30" - 72" in 6" increments
- Available in depths, 16", 18" & 19"
- Available in 11/16" height with a flat edge only
- Available in Flintwood and Laminate

**Interpret Fitted Seat Cushion (WWGXF)**

The Fitted Seat Cushion is intended to provide casual guest seating when applied to a credenza

- Available 19" depth
- Available in widths from 24" - 48" in 6" increments
- The seat cushion is secured to storage with Velcro
- Available in all Teknion's Standard Seating Fabrics

177

**Top Modifier (WWGXTF)**

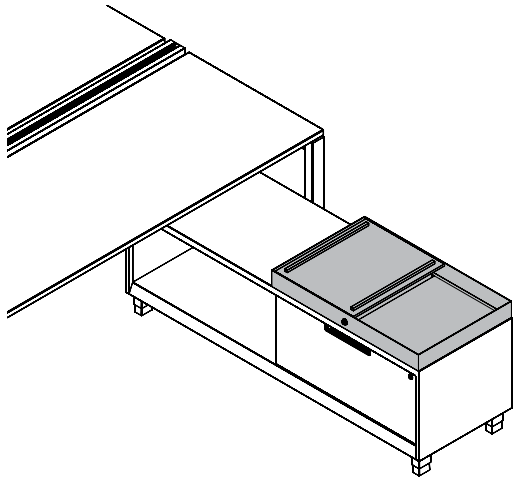
The Top Modifier provides further customization and utility to the top of all Interpret Credenzas, Cubbies or Pedestals. It provides a surface for paper management and can be paired with the Organizer Tray for added functionality

- Available in depths of 16", 18" & 19"
- Width is 15"
- The 16" & 18" depths affix to the top of freestanding cubbies or pedestals while the 19" affixes to the top of credenza
- The Top Modifier provides a surface for paper management
- Installer repositionable only
- It can be specified in two colors. The tray edges will be one color and the tray liner will be the other color
- Available in Foundation, Mica & Accent

planning with accessories

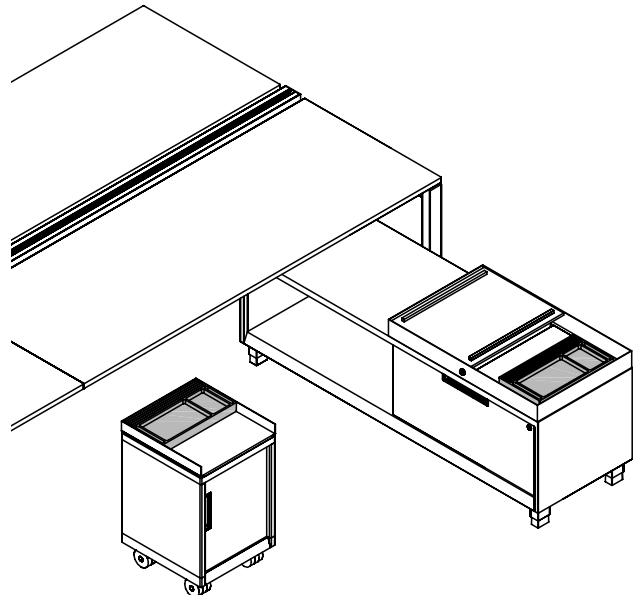
When planning with the storage modifiers, the following should be considered.

178



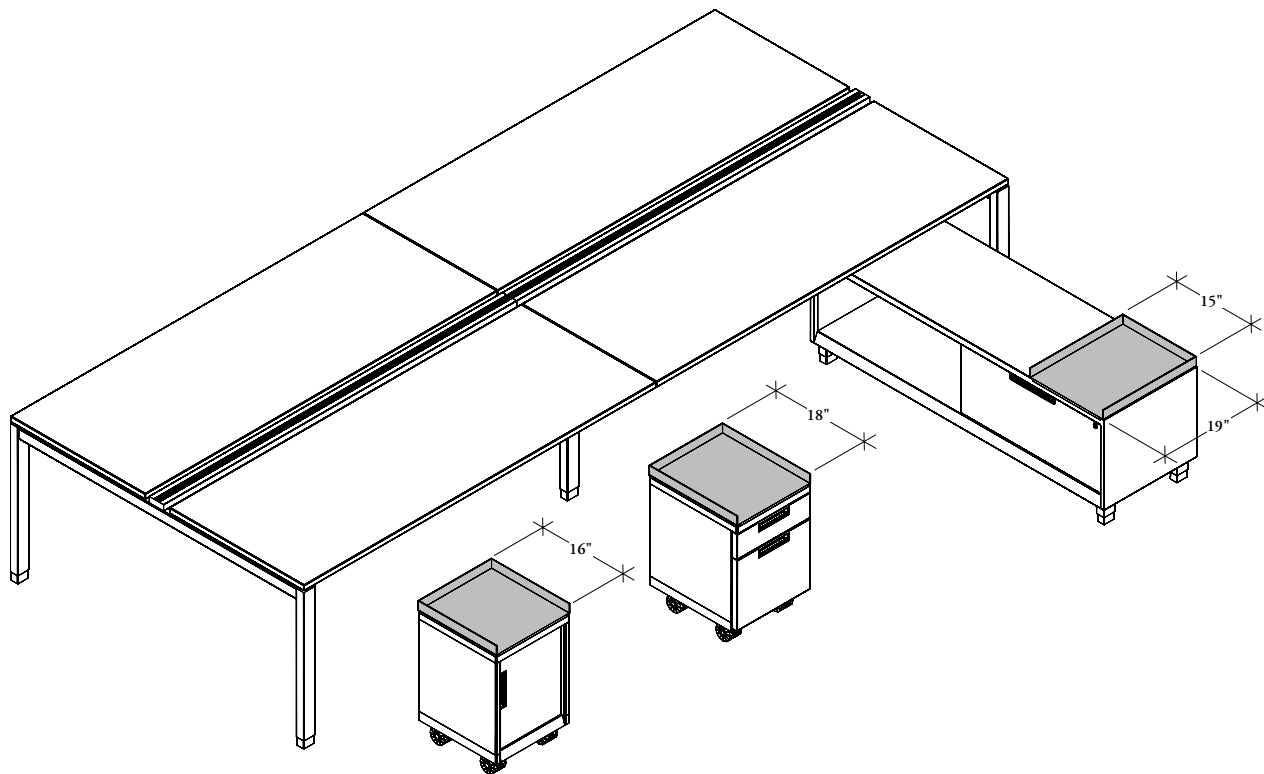
Laptop Locker (WWGXTS)

The sliding lid **cannot** be used as a seating surface.



Organizer Tray (WWGXM)

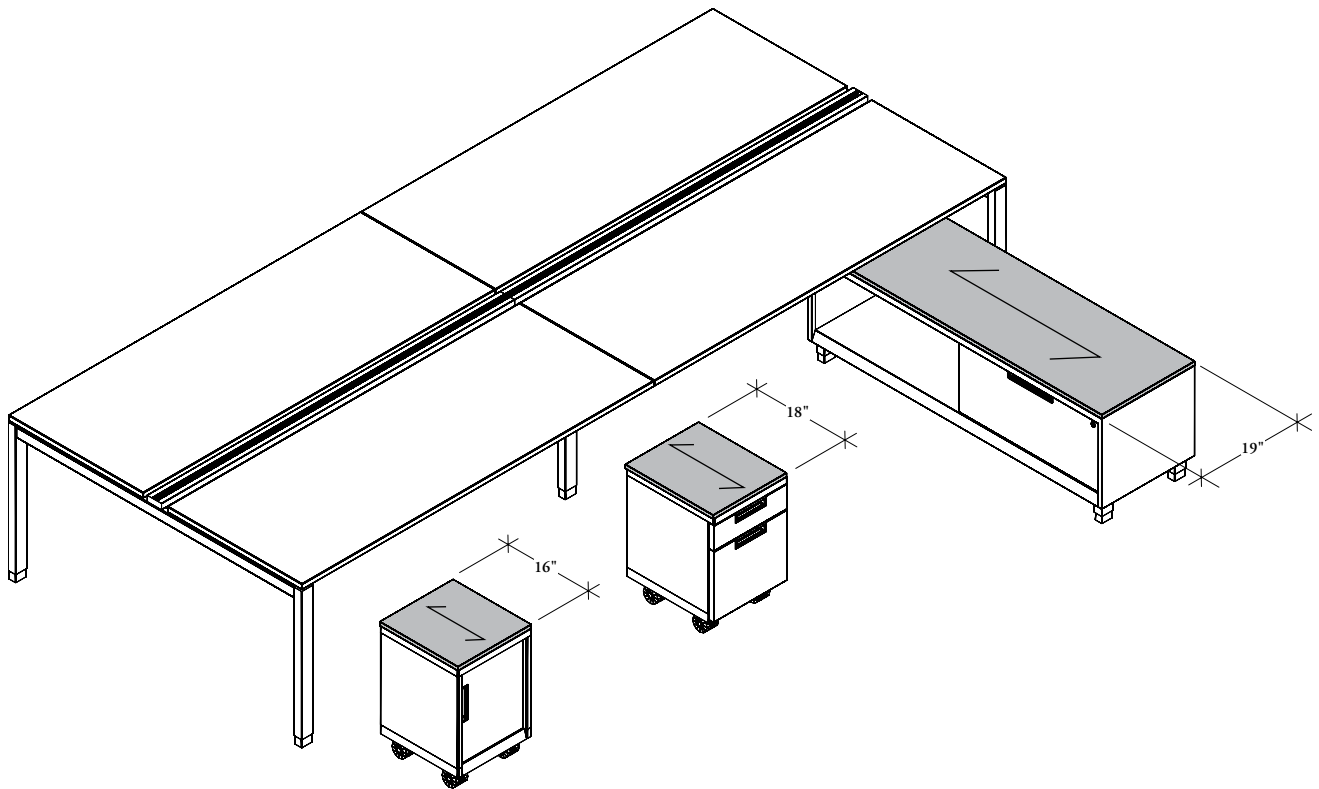
The Organizer Tray (WWGXM) can be used in the Laptop Locker (WWGXTS) or Top Modifier (WWGXTF) for additional organization.



Top Modifier (WWGXTF)

- The 16" deep Top Modifier needs to be ordered for 16" deep cubbies and pedestals
- The 18" deep Top Modifier needs to be ordered for 18" deep cubbies and pedestals
- The 19" deep Top Modifier needs to be ordered for credenzas

planning with accessories (continued)

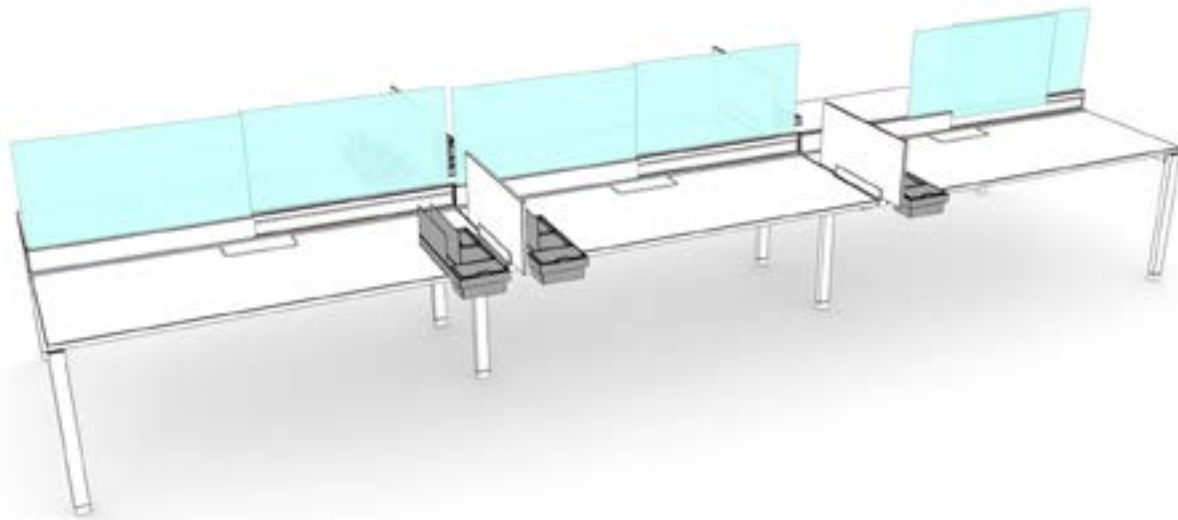
**Finished Top (WWGXW)**

- The 16" deep Finished Top needs to be ordered for 16" deep cubbies and pedestals
- The 18" deep Finished Top needs to be ordered for 18" deep cubbies and pedestals
- The 19" deep Finished Top needs to be ordered for credenzas

accessory dock basics

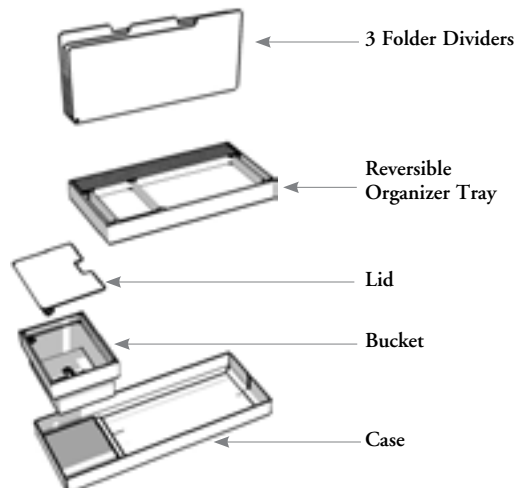
The Accessory Dock provides workflow organization and casual electrics. It can be placed anywhere along the worksurface edge and works seamlessly with the Casual Lateral Screen (WWCCL) when space division is required.

180



Accessory Dock (WWGGD)

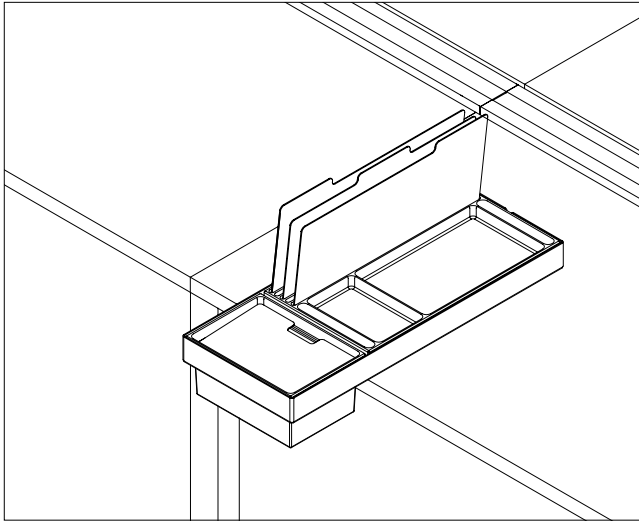
- Available in 21" deep, 4" high & 8" wide
- Comes with 1 base, 1 bucket, 1 lid, one reversible organizer tray and 3 folder dividers
- The bucket and lid at the front conceal a small power bar to charge personal electronics like tablets and smartphones
- Can be used on any worksurface type
- The Accessory Dock can clamp casually to the worksurface edge or be fastened to the worksurface edge from underneath
- A Compact Power Bar (YEPS) can be ordered separately within the Complements Catalogue
- Available in Foundation, Mica & Accent



planning with accessory dock

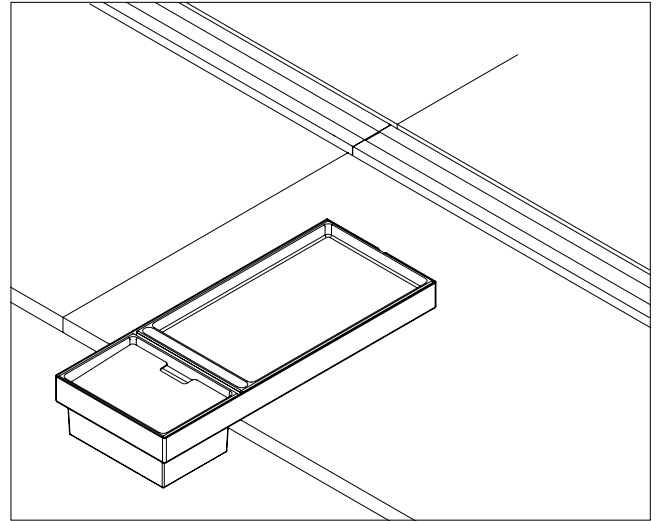
When planning with the Accessory Dock (WWGGD), the following should be considered:

The Accessory Dock (WWGD) can be configured for Resident Workers and Non-Resident Workers.



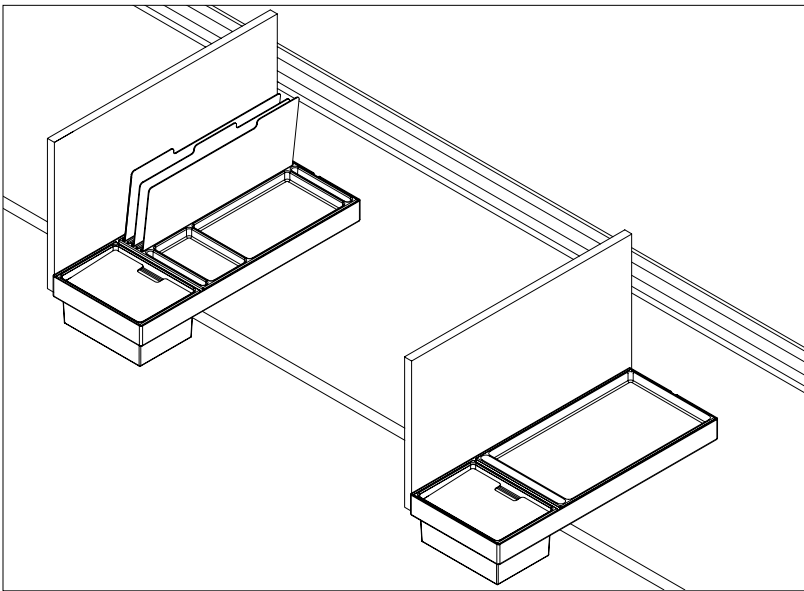
When configured for the Resident Worker:

- The Organizer Tray is reversible. The half width side of the reversible tray that is divided to fit most smartphones and stationary will be face up to the user
- Folder dividers can be placed into the slots of the organizer tray to add filing capability



When configured for the Non-Resident Worker:

- The full width side of the reversible tray that is large enough to fit a tablet will be face up to the user
- Folder dividers are removed and can be stowed away underneath the reversible rubber tray



The Accessory Dock can be planned with all Casual Lateral Screen sizes, but is a tailored fit to the 21" deep screen.

integrating mast monitor arms

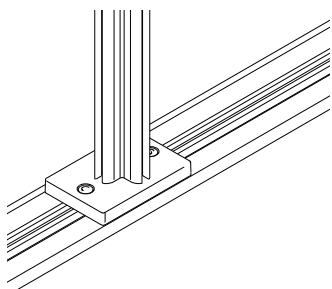
The MAST Monitor Arm can be integrated into the Interpret system to allow for monitor support above the worksurface. This creates more usable worksurface, flexibility and also allows for better posture. MAST Monitor Arms and mounts are ordered separately outside of the Interpret catalogue (Please refer to Complements: Teknion's *Ergonomics & Accessories Program*).

The MAST Monitor Arm can be mounted to the Interpret system using different options.

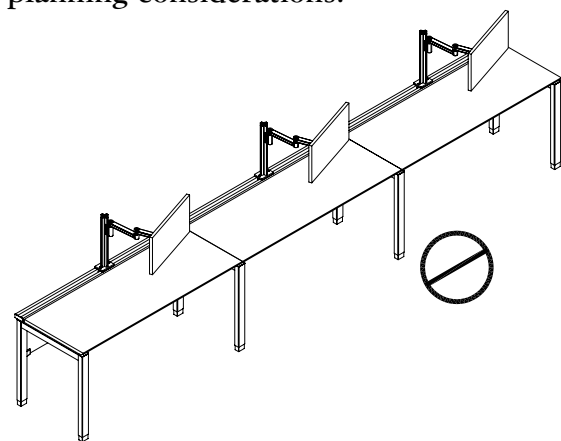
- Interpret Accessory Beam
- Standard Edge Clamp
- MAST Arm (YMSTA) with an Accessory Element

option 1: interpret accessory beam

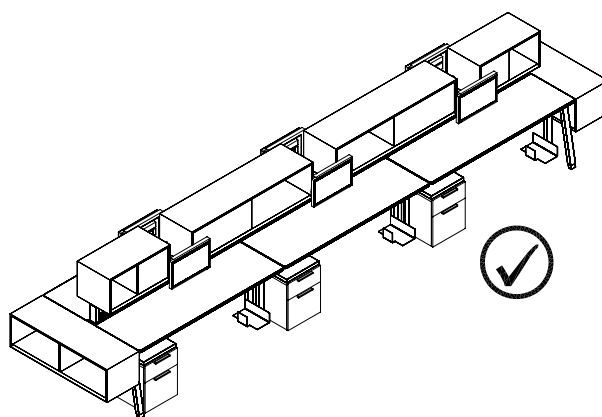
Use the Interpret Accessory Beam Mount (8) for mounting manual arms, dynamic arms, or the MAST Workstation Beam. The Interpret Accessory Beam mount can only be used on Double-Sided Benches. For Single-Sided Benches, use options 2 & 3.



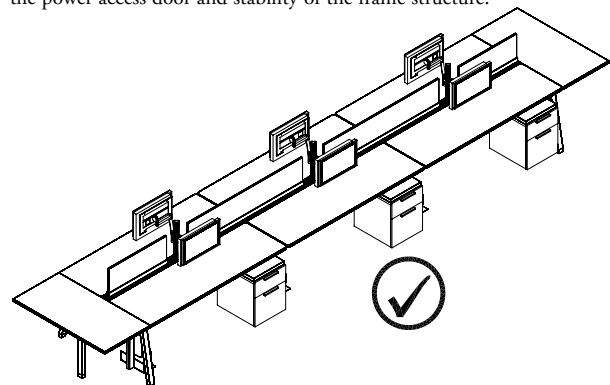
planning considerations:



Interpret Accessory Beam Mount should not be used on single-sided benches (1 3/4" Accessory Beam) due to interference with the opening of the power access door and stability of the frame structure.



When planning with other Interpret Accessories, and storage, consult the MAST application guide for arm dimensions to ensure sufficient gapping for arm rotation.

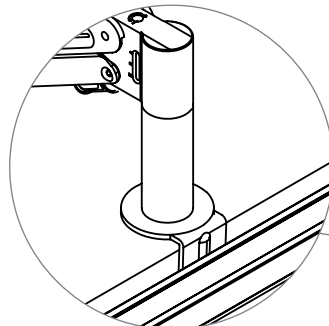
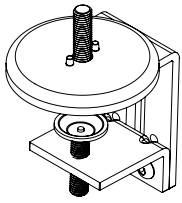


If using MAST Monitor Arms, on the Interpret Accessory Beam and Screens are also being used, gaps between screens must be specified to allow for mounting. If one MAST Arm per side is needed a 6" gap between screens should be sufficient. If 2 MAST Arms are needed per side a 12" gap between screens is recommended.

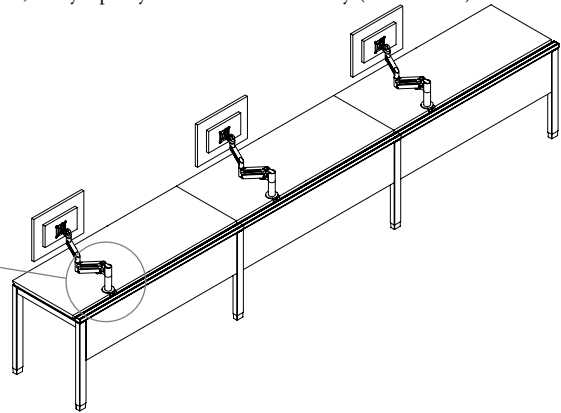
integrating mast monitor arms (continued)

option 2: standard edge clamp

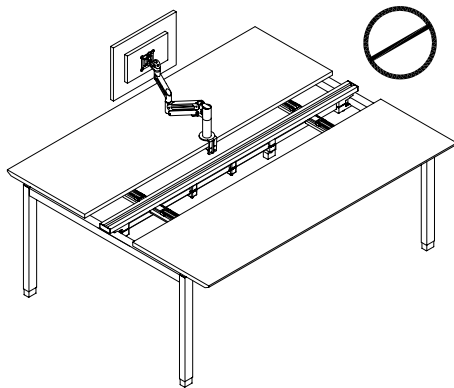
Use the Standard Edge Clamp (2) for mounting Manual Arms, Dynamic Arms, or the MAST Workstation Beam. The Standard Edge Clamp can be used on Double-Sided Benches or Single-Sided Benches. When mounted on a Single-Sided Bench, always specify the shortest Power Tray (WWEPT48).



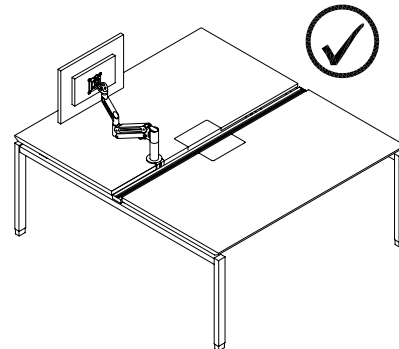
Ensure that worksurfaces are installed to maintain a minimum of a 3/8" gap.



planning considerations



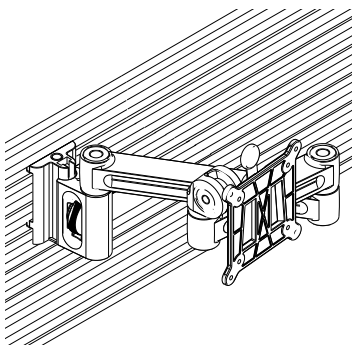
The Edge Clamp **cannot** be mounted on sliding worksurfaces.



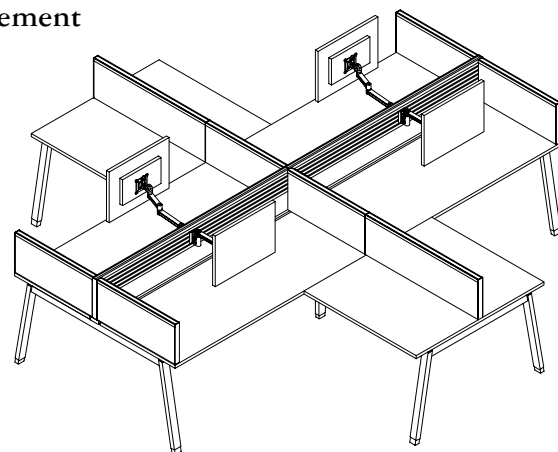
For Power Cut Out Worksurfaces (WWWRP) the Clamp must be mounted offset to one side.

The Edge Clamp must be used for single-sided applications and mounts to the worksurface in a offset location (approximately 8" from the center) due to the Power Tray below the worksurface. For all widths of a Single-Sided Interpret application, when a monitor arm is required, specify a 48" Power Tray (actual 17").

option 3: MAST Arm (YMSTA) with an Accessory Element



- Use a MAST Arm (YMSTA) with a MAST Workstation Beam or an Interpret Accessory Element for mounting Manual Arms or Dynamic Arms
- The Accessory Fascia on the Functional Spine Screen can support up to a maximum of two monitors on each side
- Bolt Thru (2) or the Round Grommet (4) for mounting Manual Arms, Dynamic Arms, or the MAST Workstation Beam **cannot** be used as round grommet holes are not a standard option on Interpret worksurfaces



MAST Monitor Arms can be mounted to an Interpret Accessory Element on a double-sided application. The Accessory Fascia must be permanently affixed to the functional screen frame. They **cannot** be mounted to Interpret Accessory Element when they are applied to a single-sided application.

electrical & data

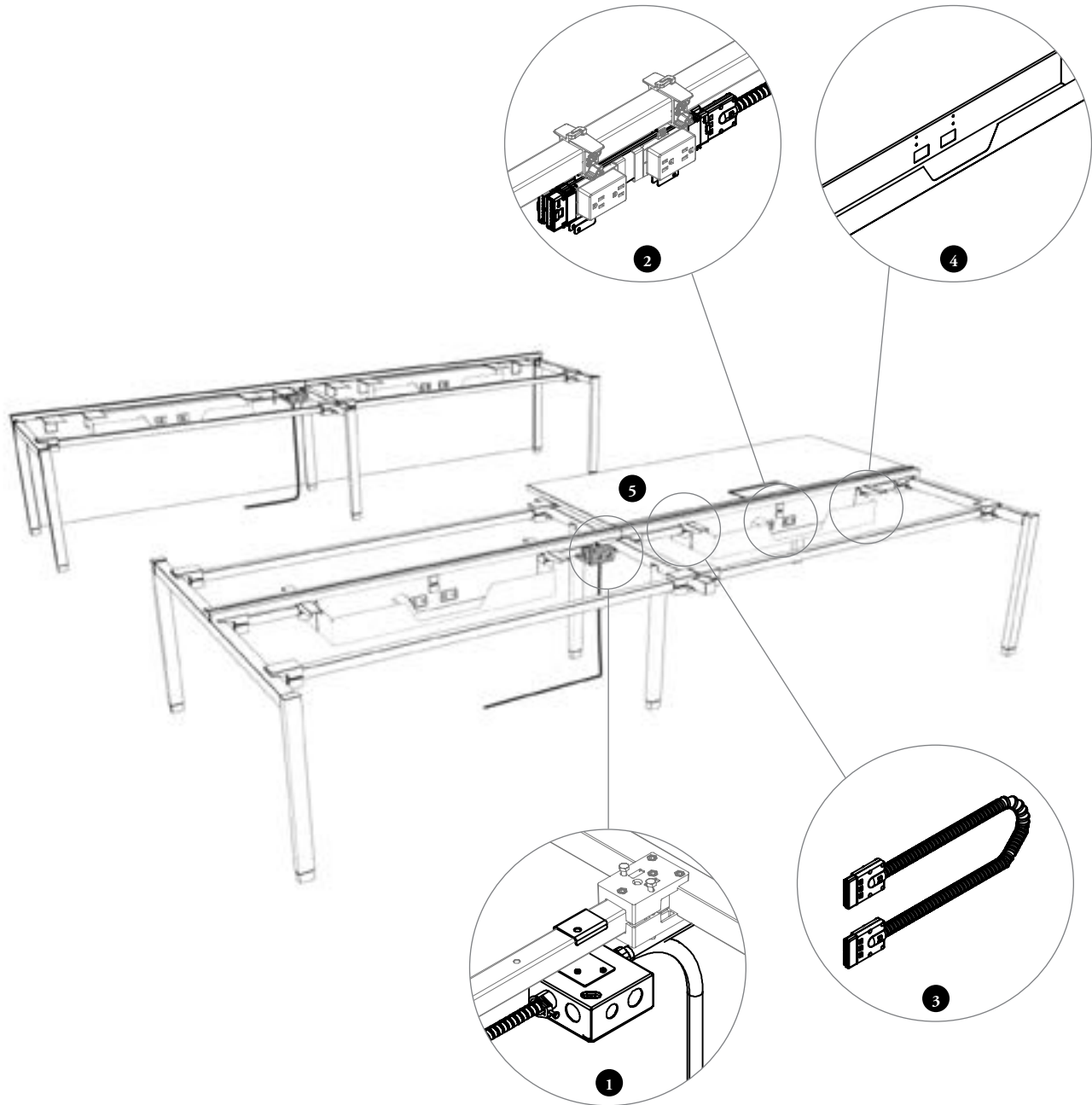
electrical & data

UNDERSTANDING INTERPRET ELECTRICS	186
UNDERSTANDING INTERPRET DATA DISTRIBUTION	187
CEILING FEEDS BASICS	188
PLANNING WITH CEILING FEEDS	189
BASE FEED BASICS	190
PLANNING WITH BASE FEEDS	191
POWER & DISTRIBUTION BASICS	192
WIRING SYSTEM	198
POWER TRAY & POWER ACCESS DOOR BASICS	194
DATA DISTRIBUTION BASICS	195
PLANNING WITH POWER DISTRIBUTION	196
DATA BOX BASICS	200
PLANNING WITH DATA BOX.	201
TABLE ELECTRICS BASICS	203
PLANNING WITH TABLE ELECTRICS	204
POWER CONSERVATION SYSTEM BASICS.	205
PLANNING WITH POWER CONSERVATION SYSTEM	206

understanding interpret electrics

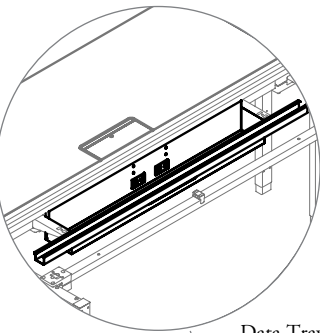
Power is distributed through Interpret Benches with a non-directional system that allows for maximum flexibility and simple reconfigurations for North American, CALA and International applications.

- 1 Power enters the bench through either a Base Feed or a Ceiling Feed (Base Feed Shown)
- 2 Receptacles mount onto non directional Power Modules
- 3 Harnesses connect Power Modules to each other and are tied to the structure with zip ties
- 4 Power Trays or Power Management Channels mount to the face of the power Module to allow access to the receptacles and provide user wire storage
- 5 Power is accessed from above by using a Sliding Worksurface or Power Cut Out Worksurfaces. Power is accessed from below through the Cut Out in the front of the Power Tray when using the Wire Gap Worksurface

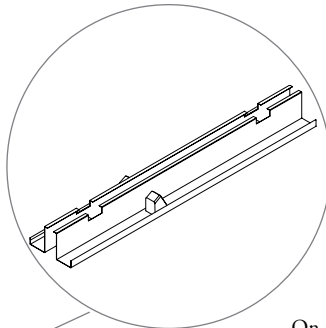


understanding interpret data distribution

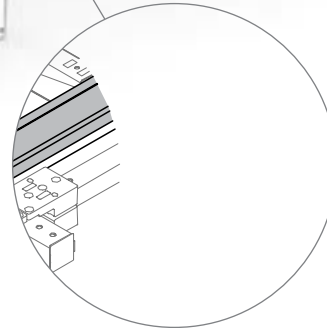
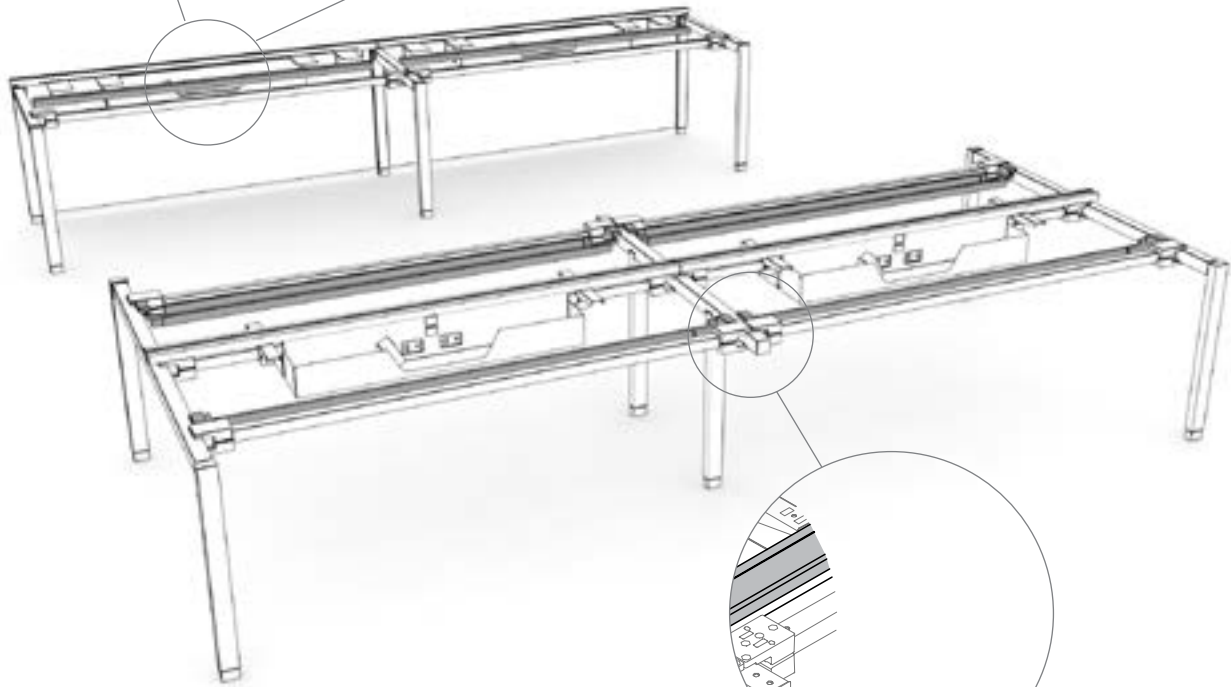
Data is distributed through either Data Trays mounted to the Power Trays or Flip Down Data Tray mounted to gables.



Data Trays mount to the front of the Power Tray for casual data cable routing



On the Power Management Channel data channels are included



Flip Down Data Trays mount between end gables and recessed mid gables to provide a continues hinged data tray.

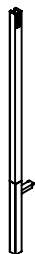
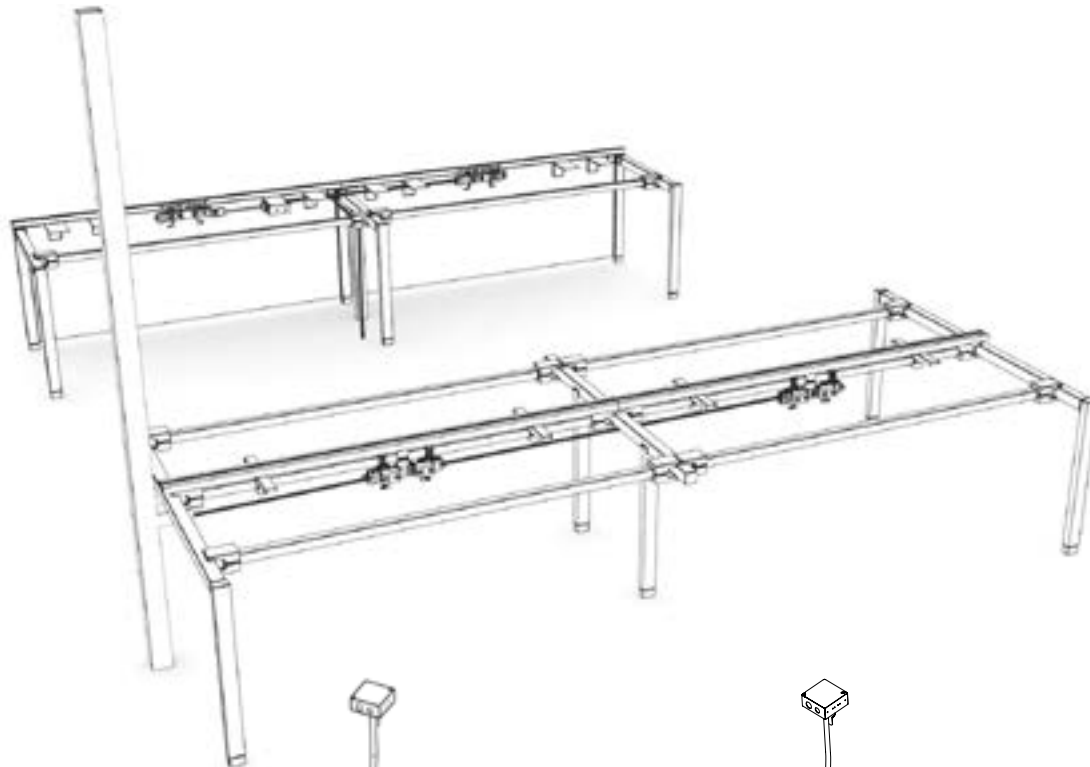
Note: This Data Tray is for use on Double-Sided and Single-Sided Frames only. **Cannot** be used on a 120° Frames.

- **Cannot** be used with 18" deep Suspended Cubbies and Pedestals

ceiling feed basics

Power & Data enter the bench from either the ceiling through a Power Pole and Ceiling Feed or from the floor with a Base Feed and Cover.

188



Power Pole (WWEPP)

Used to route a ceiling feed and data cables from the ceiling to a bench

Mounting Locations:

Double Sided Frame and 120 Frame

- Center support beam
- Cannot be used with an end gable infill

Single Sided Frame

- End gable at the back of a workstation

Heights:

8' and 10'



Ceiling Feed (WWECF)

Connects to a ceiling power source and routes through a Power Pole to connect to a power module

Cable Lengths:

120" and 144"

Available Wiring Options:

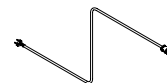
7T, 7K, 8T, 8K



Chicago Ceiling Feed (WWEFCFH)

Same as the Ceiling Feed except that it does not have a connector due to Chicago electrical wiring restrictions

- Supplied with three wires for a single circuit only



CALA Power In Feed (VBPI)

Used for CALA Applications

Length:

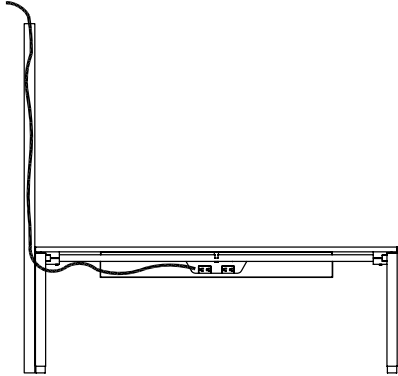
-1800 mm

Country of Installation:

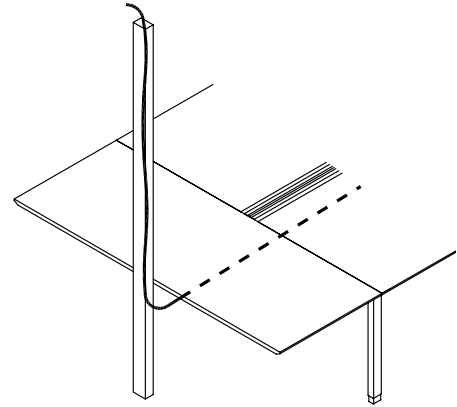
- R Argentina
- N Brazil
- L Chile

planning with ceiling feeds

The following should be considered when planning with the Ceiling Feed.



The Ceiling Feed is routed through a Power Pole which has a Cut Out at desk height it then routes under the surface to the first Power Module.



When Peninsula Worksurfaces are used, the Ceiling Feed routes under the surface to the first Power Module.

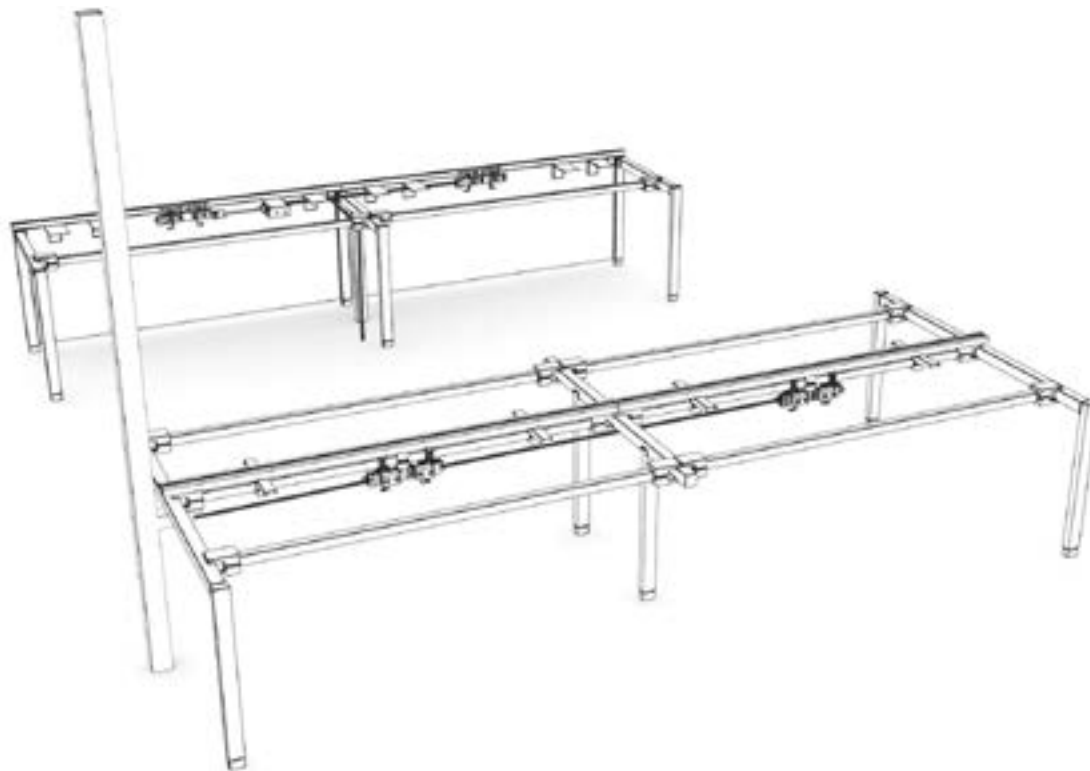


On a 120° Frame, the Ceiling Feed is routed through a Power Pole and then under the worksurface in the same way as used with Single-Sided and Double-Sided Frame.

base feed basics

Power & Data enter the bench from either the ceiling through a Power Pole and Ceiling Feed or from the floor with a Base Feed and Cover.

190



Base Feed Cover (WWEBC)

Attaches to the Interpret frame to route the Base Feed to the frame

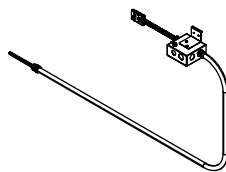
- Complete with two channels

Each channel carries a maximum of one of the following:

- 24 Cat 5 cables (0.23 diameter)
- 12 Cat 6 cables (0.32 diameter)
- One liquid tight electrical conduit

Attachment Locations:

- Center Beam on a Double Sided Frame
- Mid Gable on a Single Sided Frame
- Center Leg on a 120 Degree Frame



Base Feed (WWEBF)

Routes power from the floor to a Power Module

Mounting locations:

Double Side Frame and 120 Degree Frame

- Mounts to the underside of the center support frame

Single Side Frame

- Mounts to the front of the modesty panel Tables

- Mounts to the underside of the table top

Lengths:

60" or less

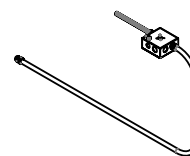
- Used on benches 60" or less to connect to a power module

66" or more

- Used on benches 66" or more to connect to a power module

Available wiring options:

- 7T, 7K, 8T and 8K



Chicago Base Feed (WWEBFCH)

Provides the conduit only for Chicago electricians where wiring restrictions require that all wiring and connections be supplied and installed by a licensed electrician

Lengths:

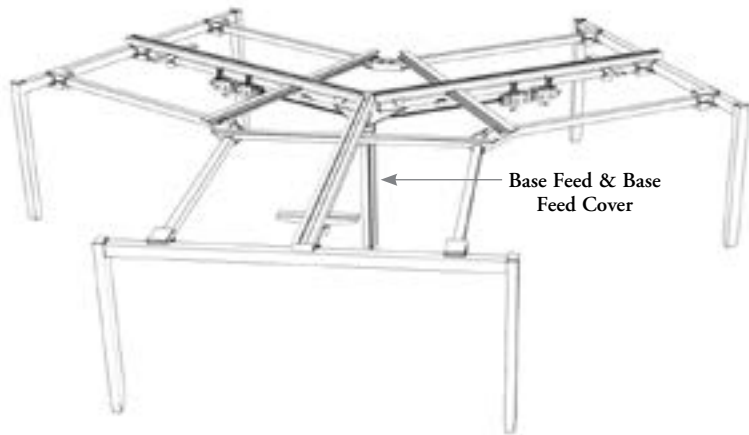
- 72" and 144"

Mounting Locations:

- Same as Base Feed

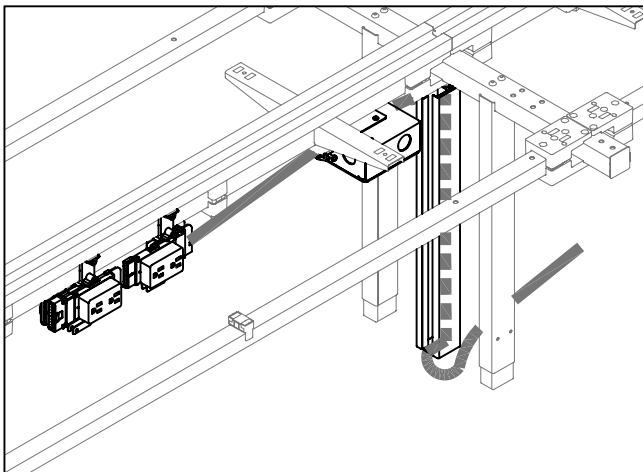
planning with base feeds

The following should be considered when planning with the Base Feed.

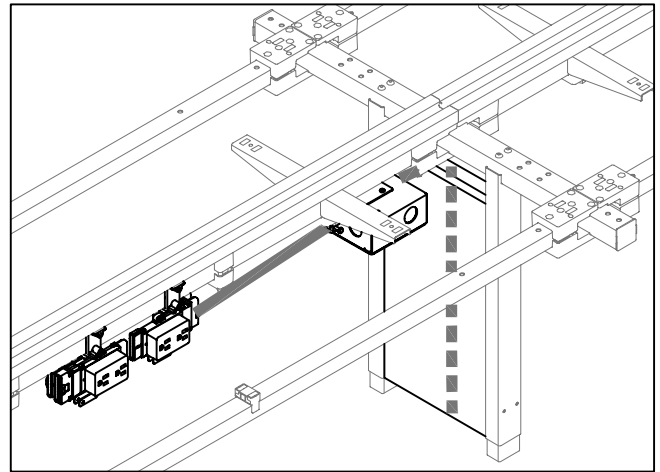


On a 120° Frame, the Base Feed Cover is attached to the side of the central post leg.

On a Double Sided or Singled Sided Bench the Base Feed is routed from the floor either through a Base Feed Cover or a Recessed intermediate Leg Cover



Base Feed Cover

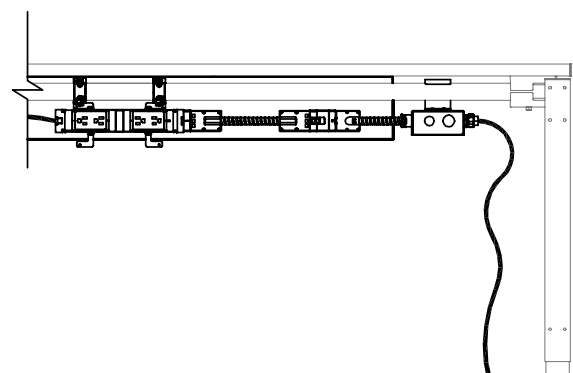
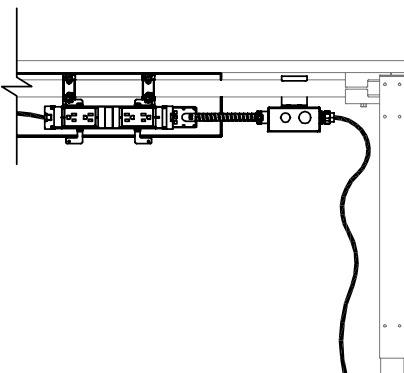


Recessed Intermediate Leg Cover

The Base Feed is placed beneath a clamp anywhere underneath the center beam

Each Base Feed has two cables:

- The floor connection cable routed either from the floor through a base feed cover or recessed intermediate cover
- A harness cable which connects to a Power Module

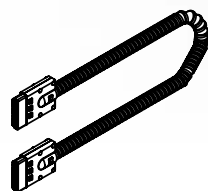
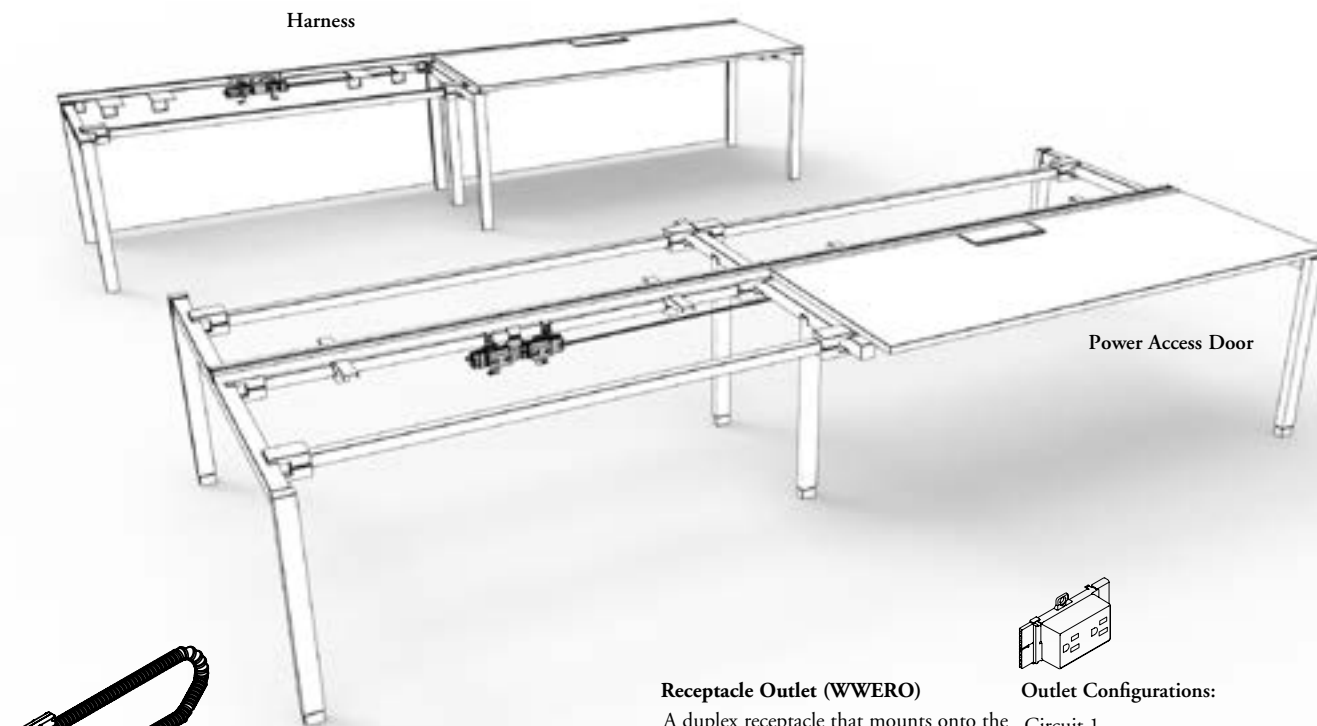


Two Base Feed length options are available:

- For use with a frame that is 60" wide or less, the harness connects directly to the first power module
- For use with a frame that is 66" wide or wider, the harness complete with an I-Connector and extension harness which allows it to reach the first power module

power & distribution basics

Power is provided to the bench by Power Modules and Receptacles that are mounted below the worksurface and can be accessed above or below the worksurface.



Power Harness (WWEPH)

- Routes power from one power box to another and is non directional
- Available in 8T and 8K wiring systems and 48", 60", 72", 84" & 96" wide
- Standard and PVC free options available



Receptacle Outlet (WWERO)

A duplex receptacle that mounts onto the Power Module to provide power access

- Specified individually for maximum circuit flexibility

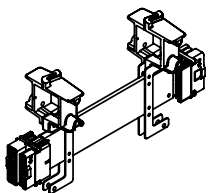
Styles:

- Standard 15 amp
- T_Slot 20 amp (available in black only)
- USB
- Controlled 15 amp
- Controlled 20 amp (available in black only)
- Controlled receptacles include a marking to indicate it connected to a controlled system

Outlet Configurations:

- Circuit 1
- Circuit 2
- Circuit 3 (used with 7T and 8T only)
- Circuit 5 (used with 8T and 8K only)
- Circuit 6 (used with 8K only)
- Circuit A (7T and 7K only)
- Circuit B (7K only)
- USB

Two duplexes can be mounted to each side of a Power Module



Power Module (WWEPM)

A module for accepting power and data outlets

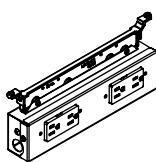
- Clamps below the center support beam to allow access from both sides
- One or two receptacles or harnesses mount to each side of the power module
- One power module is required for each frame section

Wiring Options:

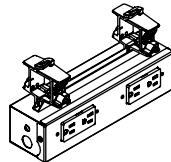
8T and 8K

PVC Free Options:

- Standard
- PVC Free



Single-Sided



Double-Sided

Chicago Power Module (WWEPMCH)

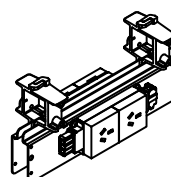
Used for Chicago electrics applications

Options:

- Single Sided
- Double Sided

Includes:

- Outlets and enclosed cover but does not include any connectors.
- Electrical connection must be done on site by a certified electrician



CALA Power Module (VBCL)

Provides access to power in CALA applications

Applications:

- DA Double Duplex, One Sided
- DB Double Duplex, Back to Back
- SA Single Duplex, One Sided
- SB Single Duplex, Back to Back

Outlet Configurations:

- Single Duplex
- Three Data
- Two Power
- One Power & One USB

Single Duplex

- Two Power & Three Data
- Four Power
- Three Power & One USB

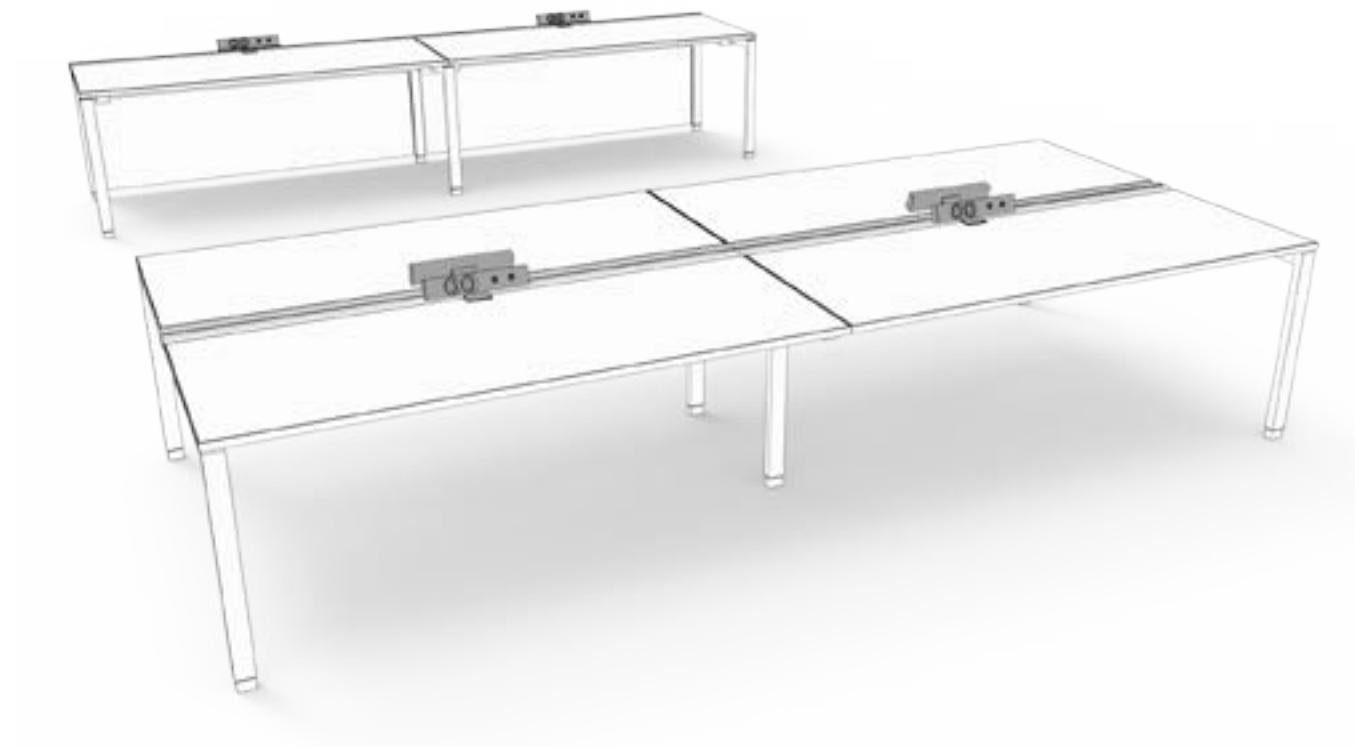
Country of Installation:

- R Argentina
- N Brazil
- L Chile

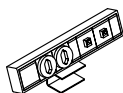
Cable Length:

1200 mm

Power Stations are available for CALA applications



193



CALA Power Station (VBWB)

Mounts to a worksurface to provide power

Outlet Configurations:

Double duplex

(202) Two Power & Two Data

(400) Four Power

(320) Three Power & One USB

Country of Installation:

R Argentina

N Brazil

L Chile

Cord Length:

1800 mm

Finishes

Receptacle Finish:

Ebony Coordinate

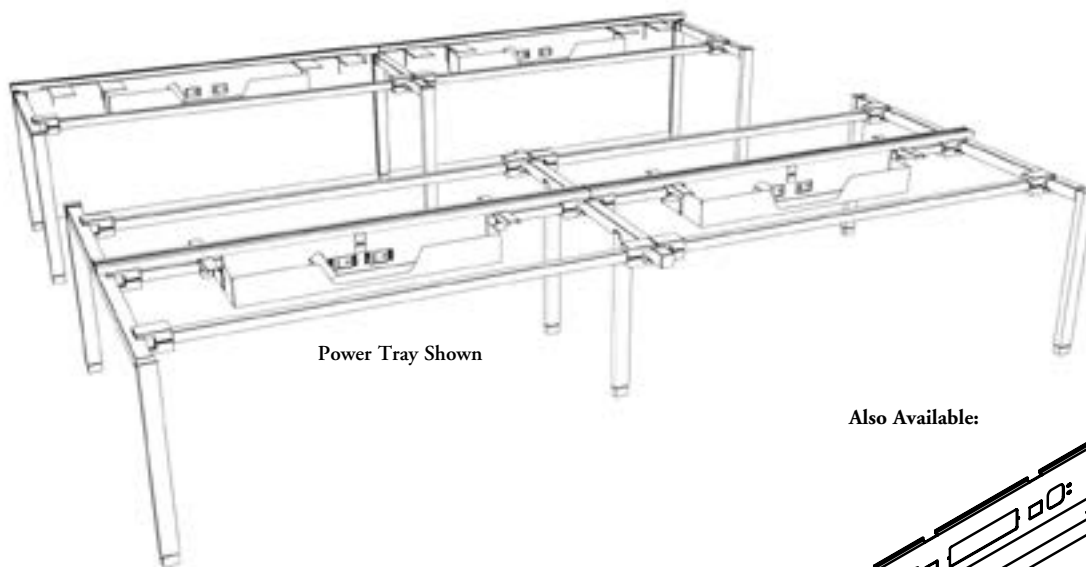
Very White Coordinate

Clamp Finish:

Clear Anodized Aluminum

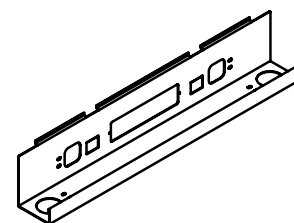
power tray & power access door basics

Power Trays mount to the face of the Power Module to allow access to the receptacles and for housing casual wires. **Power Access Doors** on the Power Cut Out Worksurface allow access to the mounted receptacle outlets below.



Power Tray Shown

Also Available:



International Power Tray (WWEPN)

Mounts to the frame below the accessory beam to accept international electrics
 -Both the electrical cables and data cables mount to the power tray
 -Tray is complete with holes which will allow for the mounting of four international power bars

Byrne

Meyer

CALA 2 Outlet

CALA 4 Outlet

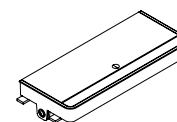
Widths:

48" to 96" w.

-Align with worksurface widths

-Sizes are nominal, the actual width is 30" narrower than the nominal width, to a maximum width of 54"

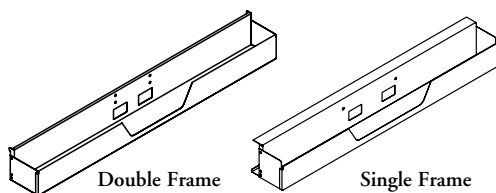
Cannot be used with an Accommodation Kit (WWSLK)



Power Access Door (WWEDR)

Used with a Power Cut Out Worksurface to access power and data from below the worksurface

The door and trim can be specified in different finishes



Double Frame

Single Frame

Power Tray (WWEPT)

Mount to the face of the power module to allow access to power outlets and house excess wiring

-Includes two Cut Outs that align with the receptacle locations and two Cut Outs for data ports

-Separates and shields the harnesses and power modules from data cables

Configurations:

Double (used on a double frame, but one is required for each user)

Single (used on a single frame)

Widths:

48" to 96" w.

-Align with worksurface widths

-Sizes are nominal, the actual width is 30" narrower than the nominal width, to a maximum width of 54"

Cannot be used with an Accommodation Kit (WWSLK)

Power Management Channel (WWEPD)

A cost effective alternative to the Power Tray

-Mounts to the accessory beam to allow access to power outlets and house excess wiring

-Includes two Cut Outs that align with the receptacle locations and two for data ports

-Includes an integrated data tray

-Both electrical and data cables mount to the tray but the tray design separates and shields the harnesses and power modules from data cables

Configurations:

Single (one tray must be ordered for each user)

Widths:

48" to 96" w.

-Align with worksurface widths

-Sizes are nominal, the actual width is 30" narrower than the nominal width, to a maximum width of 54"

data distribution basics

The Data Tray and Flip Down Data Tray offer data routing solutions. Both options provide full lay-in cable capability.



Flip-Down Data Tray (WWEDT)

Mounts between frame cables to provide a continuous data trough below the worksurface

Hinged to allow maximum flexibility for laying in cables

- Can be filled from the top before worksurfaces are installed
- Hinge can be left open to allow cables to be installed after the worksurfaces in installed

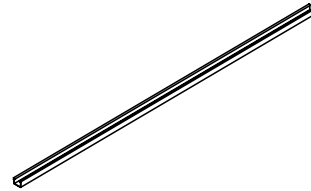
Does not obstruct access to the Power Tray

Widths:

48" to 96" to align with frame and worksurface widths

Restrictions:

- cannot be used on 120 degree frames
- cannot be used with suspended pedestals or cubbies
- cannot be used with the Accommodation Kit (WWSLK)



Data Tray (WWEDA)

Provides an economical option for routing data cables

- The tray clips to the front of the Power Tray
- Can be used on all frame types

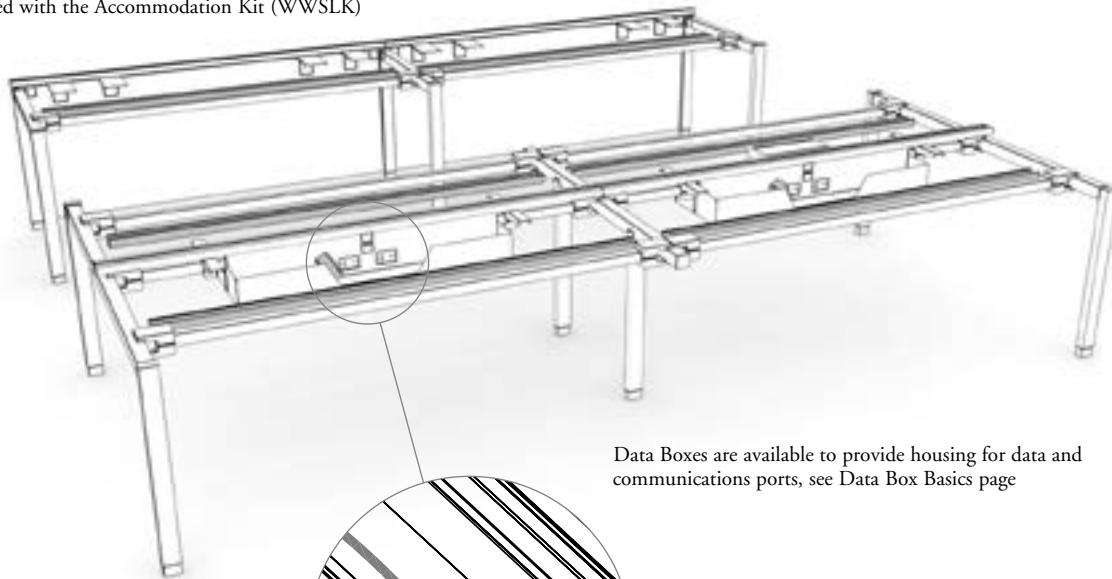
Widths:

48" to 96" w

- Should be specified the same width as the worksurface
- Sizes are nominal, the actual size will be 6" shorter on either end

Restrictions:

- Cannot be used with the Accommodation Kit (WWSLK)



Data Boxes are available to provide housing for data and communications ports, see Data Box Basics page

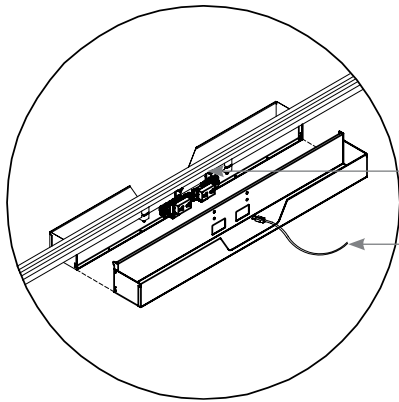
Cable Capacities

	Cat 5 cables (0.23 diameter)	Cat 6 cables (0.32 diameter)
Data Tray	24 per side	15 per side
Flip Down Data Tray	30 per side	15 per side
Power Management Channel	66 per side	32 per side

planning with power distribution

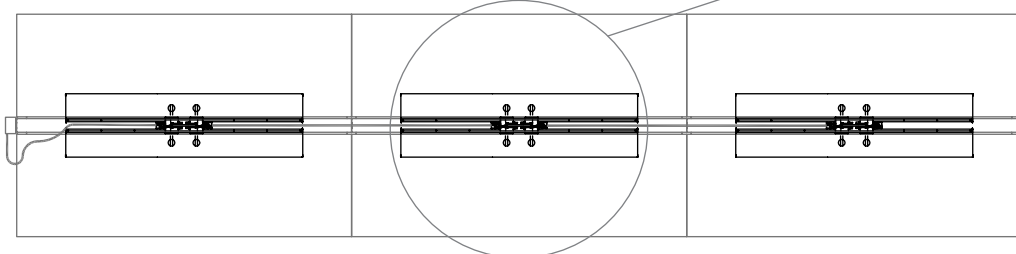
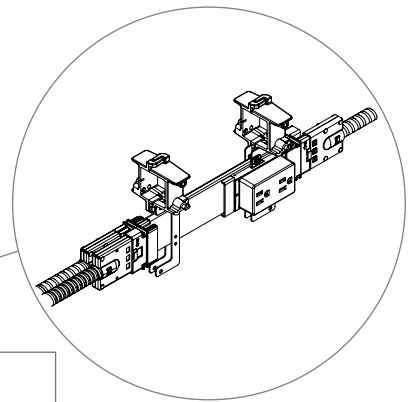
The following should be considered when planning with power distribution.

power tray

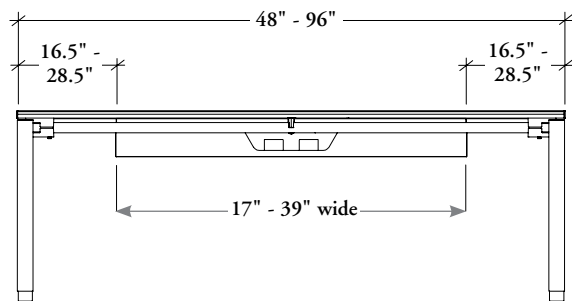


Receptacle outlets align with the two Cut Outs in the face of a Power Tray

- The receptacles can be accessed in the following ways
- Through a Power Access Door on the worksurface
 - From the back edge of a Sliding Worksurface when it is pulled out
 - Below the worksurface through the front Cut Out of the Power Tray



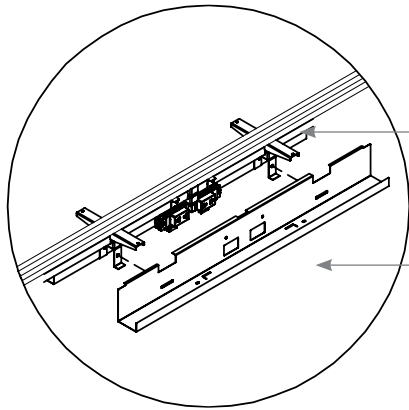
Power distribution is non-directional and power can enter & exit from the same power module.



- The Power Tray is specified the same width as the worksurface above it, however all sizes are nominal, the actual width of the tray is narrower, up to maximum width of 39" w.
- The openings remaining will range from 16 1/2" to 28 1/2"

planning with power distribution (continued)

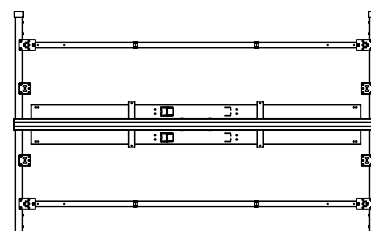
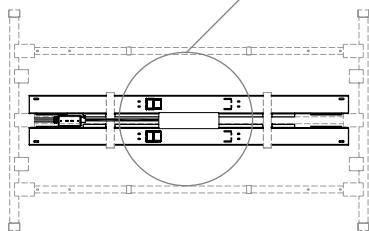
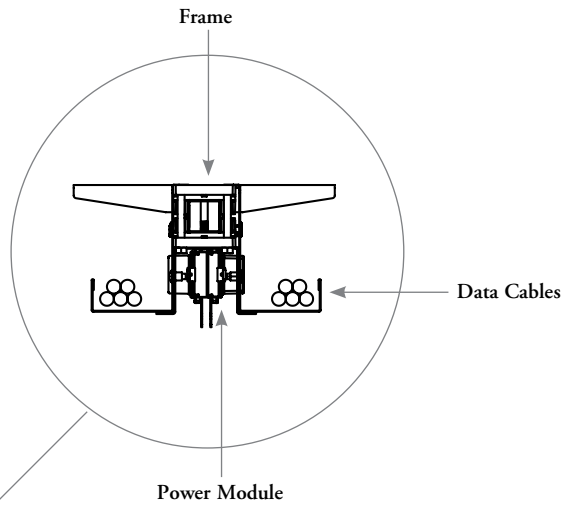
power management channel



Receptacle outlets align with the two Cut Outs in the face of a Power Tray

The receptacles can be accessed in the following ways

- Through a Power Access Door on the worksurface
- From the back edge of a Sliding Worksurface when it is pulled out
- Below the worksurface from the front of the Power Management Channel



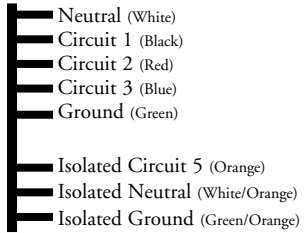
Power distribution is non-directional and power can enter & exit from the same power channel. Data cables are managed in the integrated data tray.

- The Power Management Channel is specified the same width as the worksurface above it, however all sizes are nominal, the actual width of the tray is narrower than the nominal size
- The openings remaining on each side are always 4 7/16"

wiring system

Four wiring systems are available for Interpret. Most common Teknion wiring configurations are achieved with these wiring systems.

For sites where Isolated Ground is not available, Teknion offers Non-Isolated Ground options for furniture wiring. The site electrician or electrical contractor/consultant can identify sites where Isolated Ground is not available. For those sites, please specify Teknion 7T or 7K wiring systems.

	Regular Circuits	Isolated Circuits
8-Wire Isolated (8T) (3+1) 	3	1
8-Wire Dual Isolated (8K) (2+2) 	2	2
7-Wire Non Isolated (7T) (3+1) 	4	0
7-Wire Dual Non Isolated (7K) (2+2) 	4	0

wiring system/receptacles

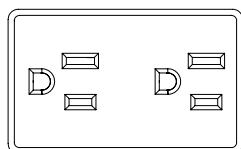
	Wiring System			
	8T	8K	7T	7K
Regular Ground Receptacles	1, 2, 3	1, 2	1, 2, 3, A	1, 2, A, B
Isolated Ground Receptacles	5	5, 6	n/a	n/a

wiring system/related circuit

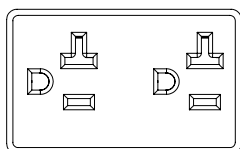
	Wiring System			
	8T	8K	7T	7K
Regular Circuit 1 Receptacle	✓	✓	✓	✓
Regular Circuit 2 Receptacle	✓	✓	✓	✓
Regular Circuit 3 Receptacle	✓		✓	
Isolated Circuit 5 IG Receptacle	✓	✓		
Isolated Circuit 6 IG Receptacle		✓		
Regular Circuit A Receptacle			✓	✓
Regular Circuit B Receptacle				✓

✓ Applicable

15 Amp



20 Amp



USB

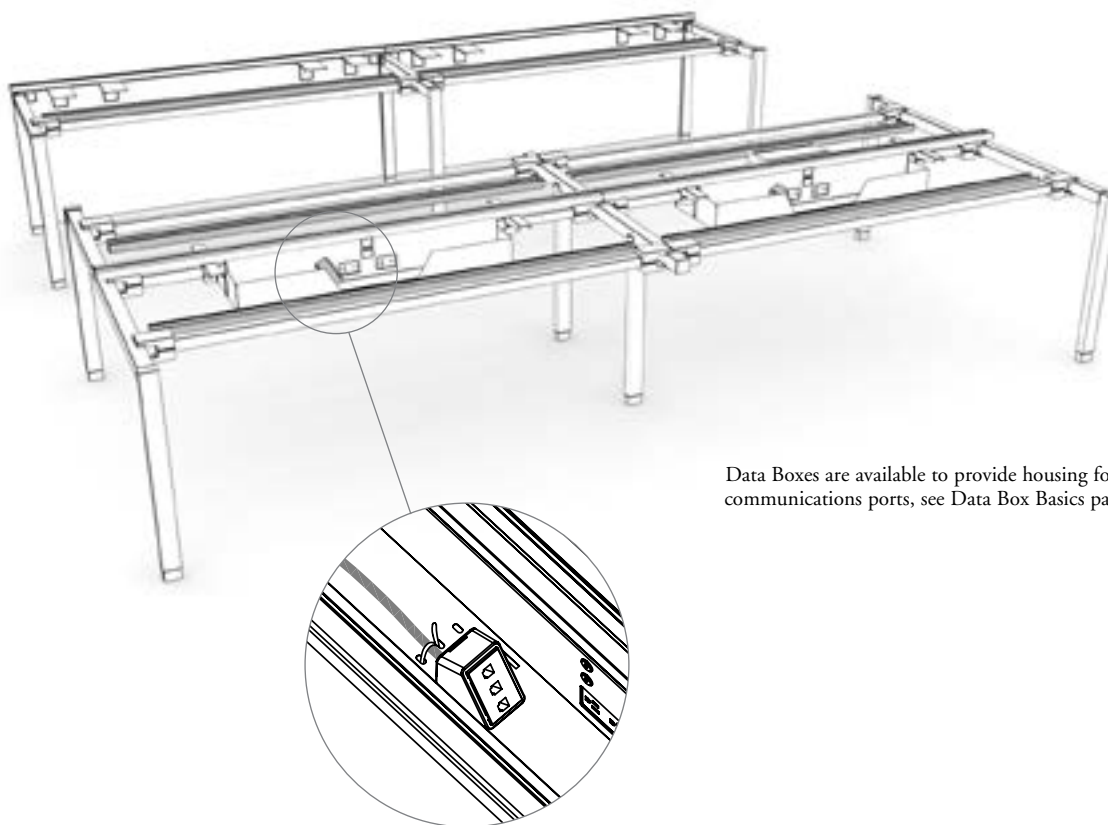


- Outlets are available 15, 20 amp or USB
- The 20 Amp is only available in Black
- USB is always on Circuit 1
- Outlets are available with marking indicating it is connected to a control system in both 15 and 20 amp options.

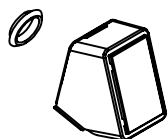
data box basics

Interpret offers a Data Box to provide data termination when using the Data Tray. Data termination with the Flip Down Data Tray can be done with or without the Data Box.

200



Data Boxes are available to provide housing for data and communications ports, see Data Box Basics page



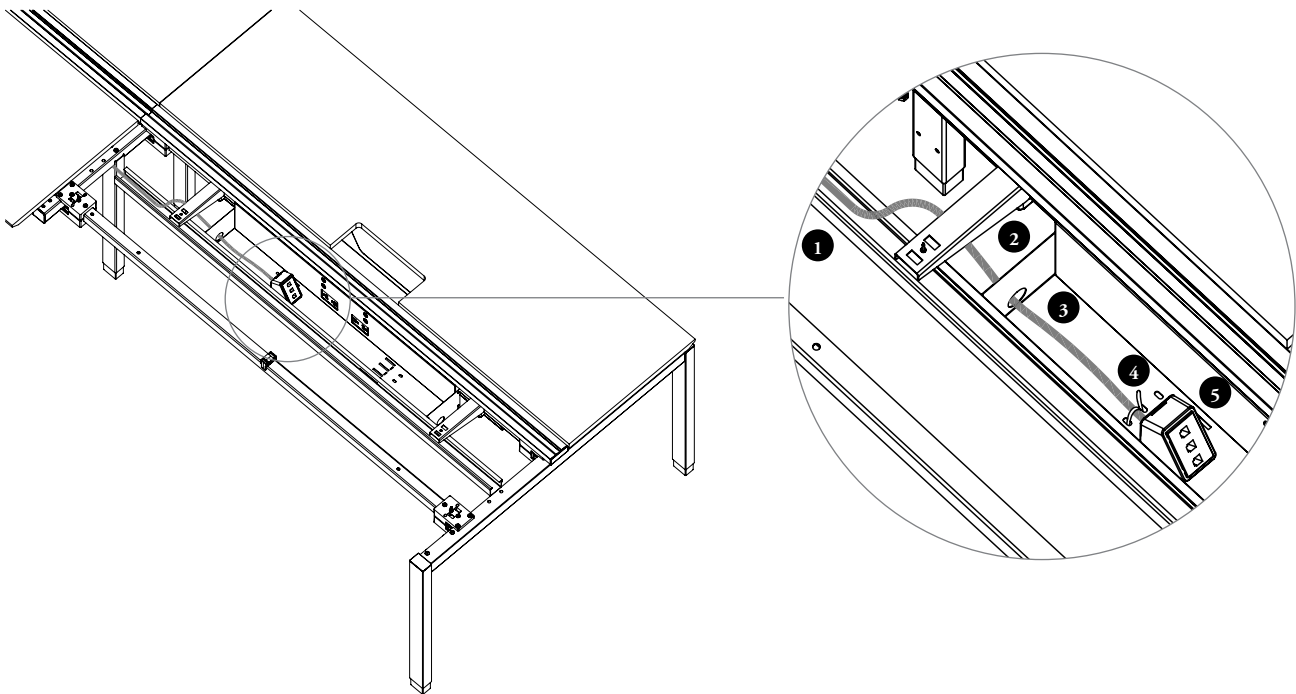
Data Box (WWEBX)

- Mounted to the inside of the Power Tray to provide housing for data & communication ports
- One Data Box is provided when a Power Tray is ordered, however, can be ordered separately when more than one Data Box is required due to large capacity

The following should be taken into consideration when planning with a Data Box

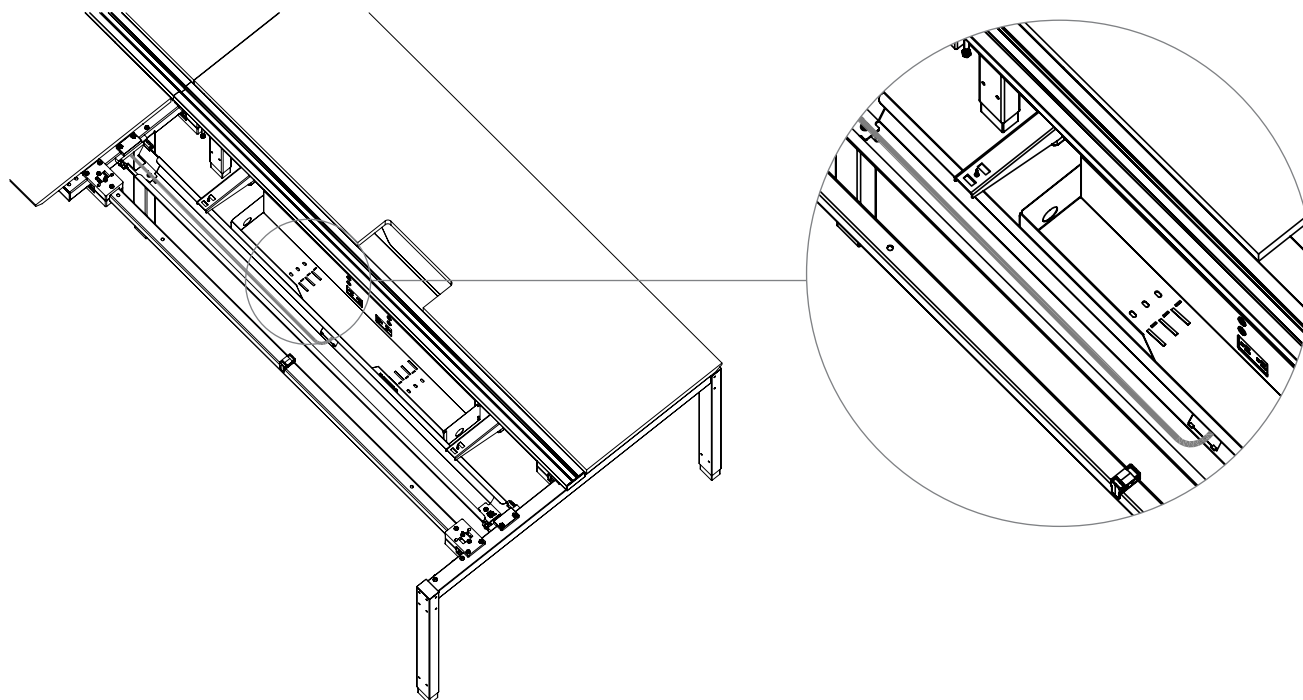
When using the Data Tray cables are routed:

- 1 Out of the Data Tray
- 2 Under the Cantilever
- 3 Through the Grommet in the side of the Power Tray
- 4 Tied off with a zip tie for strain relief
- 5 Terminated in the Data Box

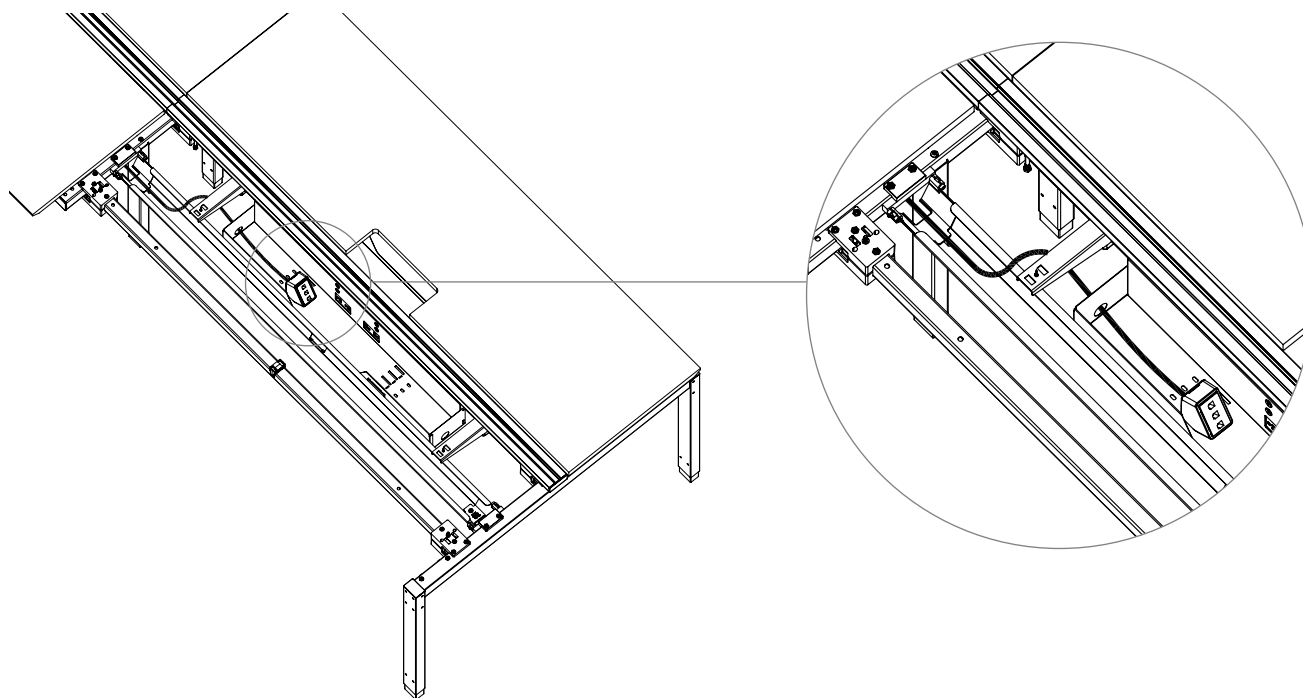


planning with data box (continued)

202



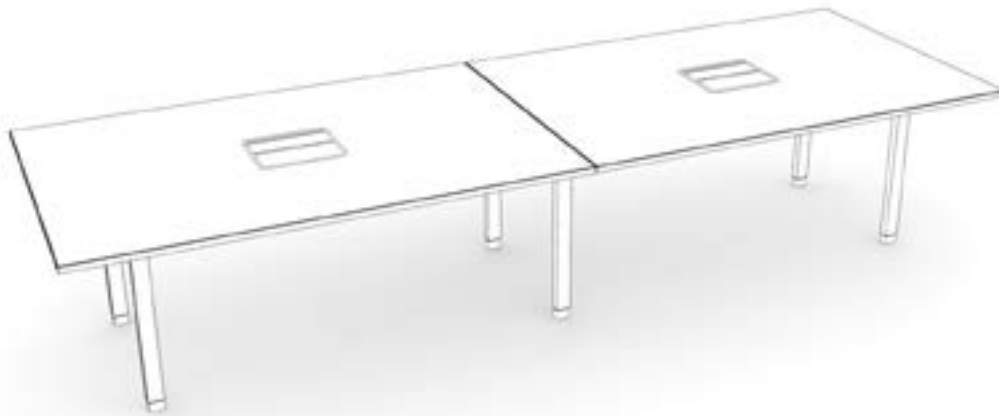
With the Flip Down Data Tray (WWEDT), data termination can be done without the new data box as shown above.



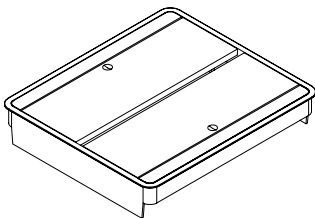
- When using the Flip Down Data Tray and the Data Box, cables are routed in the same manner as with the Data Tray
- This is the suggested method of data cable termination for Flip-Down Data Trays as the Data Box protects data connections

table electrics basics

Interpret offers a variety of table electrics options to provide power access for occasional use.

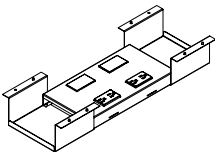


meeting table shown
(over 96" with two tops)



Double Access Power Door (WWEDD)

Covers the Cut Out in Interpret Work Tables and Meeting Tables
-Provides access to power and data which is specified separately
Each table section can have one power and data access location only



Multi Circuit Table Power Module (WWETM)

Power and data to Work Tables or Meeting Tables.

Includes:

Configuration C

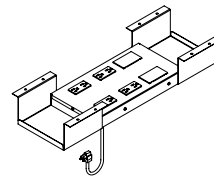
- Power module
- Two duplexes (Circuits 1 and 2), facing up
- Optional two duplexes, facing down
- Two data Openings, facing up
- Uses all of the same electrical components as an Interpret bench

Configuration B (Blank)

- Power Module
- Two data openings.
- Receptacles are ordered separately

Data Port Configurations:

- Accept plates with up to six RJ45 connectors
- Display Port
- HDMI
- VGA



Single Circuit Table Power Module (WWETS)

Provides casual power and data to Work
Tables or Meeting Tables.

Includes:

- Four duplexes, 15 amp
- Two data ports, facing up

Cord Lengths:

- 72" and 144"
- Both terminate at a standard 3-prong plug, they are not hardwired

Finishes

- Power Access Doors and Frames
- Foundation
- Mica
- Accent
- doors and frames can be two different finishes

Electrics:

- Platinum Paint
- Platinum Grey (on plastic)

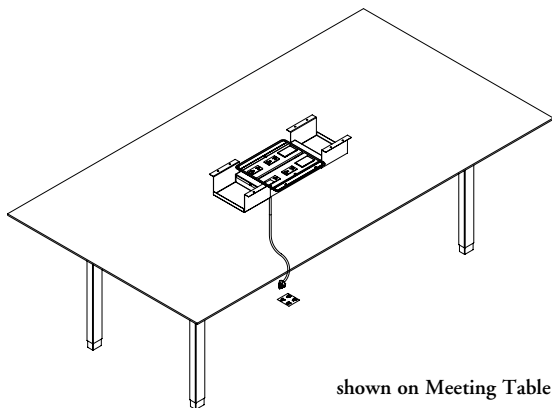
planning with table electrics

The following should be taken into consideration when planning with table electrics

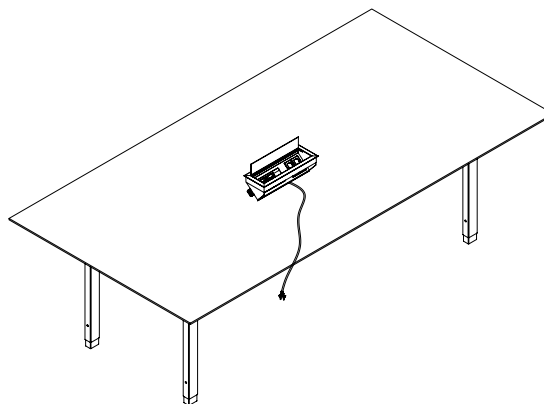
single circuit electrics

- Single Circuit Table Power Modules (WWETS) are intended to be used when the power source is standard 3-prong plug receptacle.
- Power & data cable management on the underside of the Interpret table can be achieved using YESW worksurface wire clips (see Compliments Teknion's Ergonomics & Accessories Program)
- On Work Tables, the Interpret Flip-Down Data Tray (WWEDT) can be used for data cable routing and management

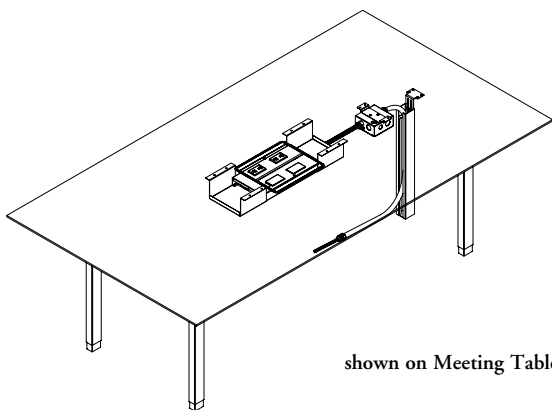
204



shown on Meeting Table

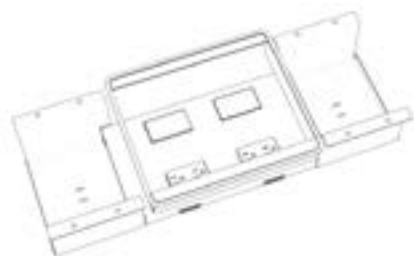


multi circuit electrics

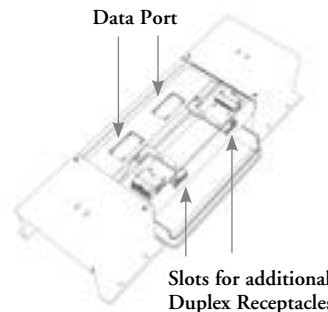


shown on Meeting Table

Multi Circuit Table Power Modules (WWETM) are used when a hard wired power supply is required. This will also require a Base Feed and Base Feed Cover which is ordered separately.



Top View Multi Circuit Table Power Module

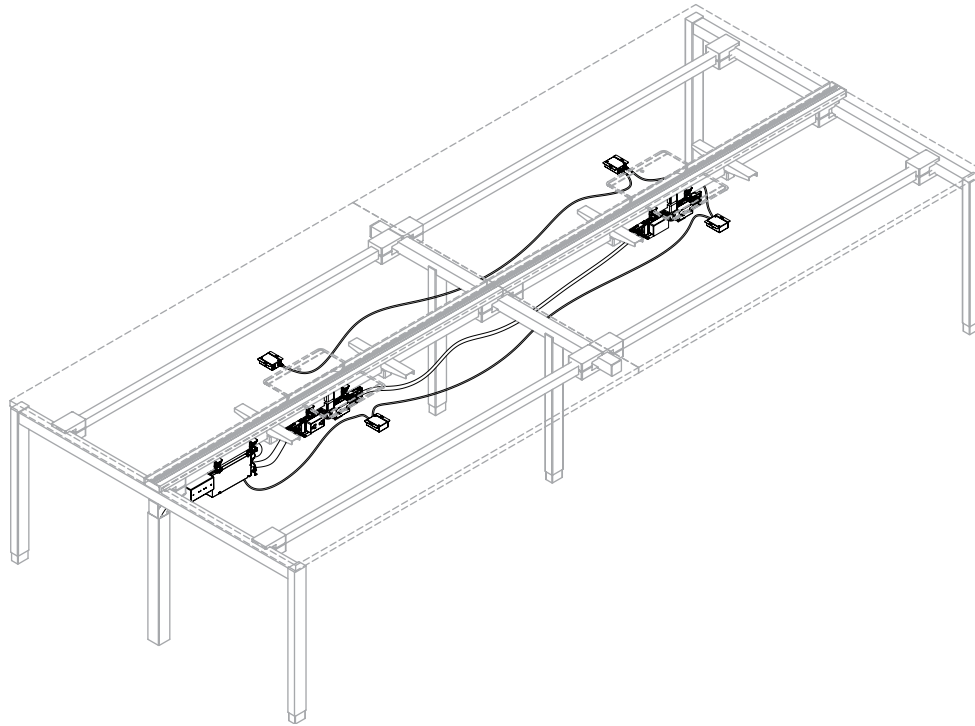


Bottom View Multi Circuit Table Power Module

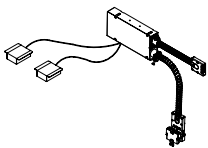
An additional 2 duplexes can be ordered and installed in the bottom sockets for extra power.

power conservation system basics

Furniture based solution for the controlling function that addresses the ASHRAE/Title 24 electrical requirements.



205



Power Conservation System (WWEPC)

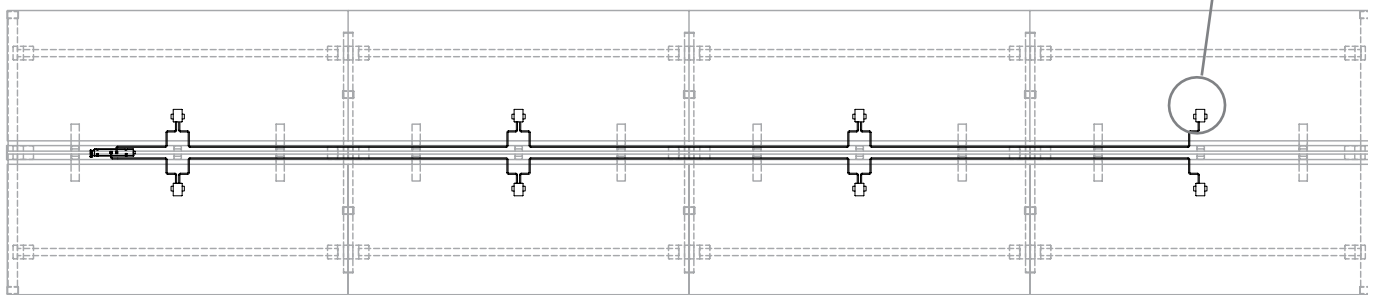
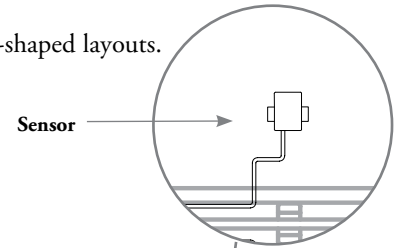
- A hard wired connection supplies power into a panel from the building power source
- Available with option of 2, 4 or 8 sensors
- Mounts to the underside of the worksurface
- Sensors available in black
- Sensor wire available in light grey

planning with power conservation system

The following should be considered when planning with the Power Conservation System.

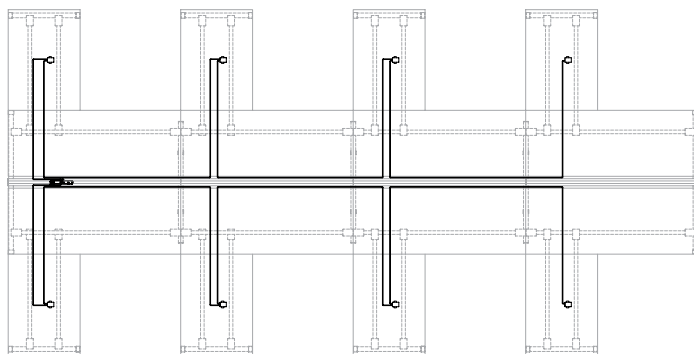
When planning with the Power Conservation System, the sensors should ideally be applied to back to back workstations or side by side planning.

Following planning shows where to place the sensors in straight runs, L-shaped layouts and U-shaped layouts.

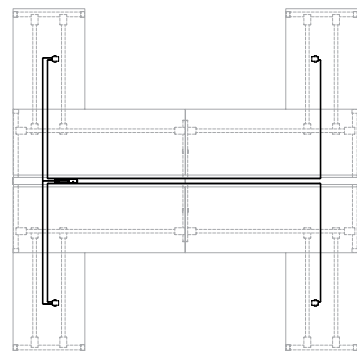


Straight Run Workstations (8 Sensors)

- Power Conservation System sensor cord has a maximum length 12 feet



L-Shaped Workstations (8 Sensors)



U-Shaped Workstations (4 Sensors)