

application guides

PANEL WALLS	25
FASCIAS	43
SCREENS	65
CONNECTIONS & TRIMS	107
WORKSURFACES	119
HEIGHT-ADJUSTABILITY	131
STORAGE	163
SUPPORTS	243
ACCESSORIES	269
ELECTRICS	281
INTERNATIONAL ELECTRICS	303

panel walls

panel walls

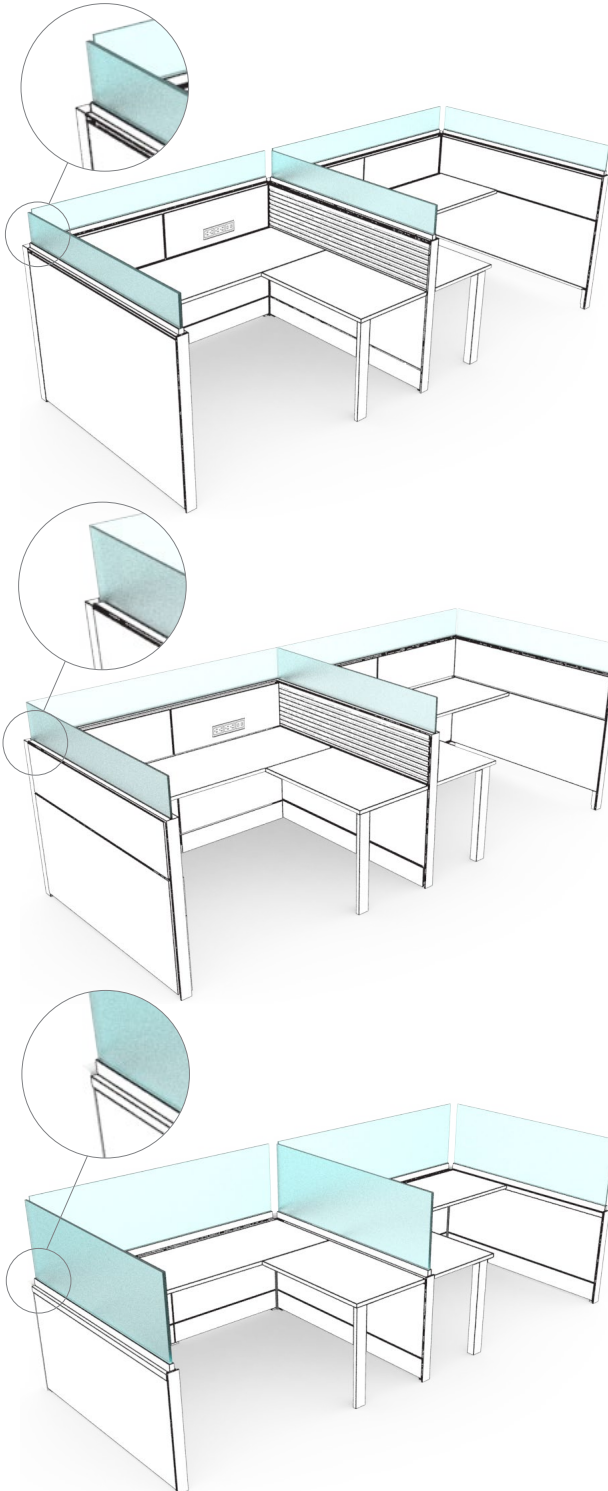
UNDERSTANDING PANEL WALLS	27
FLUSH PANEL WALL BASICS	29
ELEVATED PANEL WALL BASICS	30
CONVERTIBLE PANEL WALL BASICS	31
PANEL WALL BASE BASICS	32
PLANNING WITH THE PANEL WALL RAIL & LIGHT BLOCK RAIL	33
SUPPORT FOOT BASICS	34
PLANNING WITH PANEL WALL BASE & FOOT	35
SUPPORT FOOT FOR FREESTANDING DISTRICT BASICS	36
PLANNING WITH FREESTANDING PANELS	37
ADD-ON WINDOW BASICS	38
PLANNING WITH ADD-ON WINDOWS	39
FULL-HEIGHT WINDOW BASICS	40
PLANNING WITH FULL-HEIGHT GLASS PANELS	41

understanding panel walls

District Panels are available in three Panel Styles: Standard Panel Wall, Panel Wall with Inset Glass and Panel Wall with Accessory Beam. Each Panel Style is available in three Panel Profiles: Flush, Elevated and Convertible.

panel profiles

- Flush, which provides privacy to the floor
- Elevated, which provides a 6" high open space at the bottom of the panel to allow air flow and a lighted aesthetic
- Convertible, which provides a economical alternative to the Flush and Elevated Panel and allows the flexibility to convert from a Flush Panel Profile to an Elevated Panel Profile using the same frame



Standard Panel Wall (UNPFR, UNPER and UNPC)

All panel profiles accept the Panel Wall Add-On Screen – Glass (UNSPG) and Panel Wall Add-On Screen – Solid (UNSPS).

Flush and Conventional panel profiles can accept the Support Foot for Freestanding District (UAFN) for freestanding applications. Elevated Panels **cannot** accept a freestanding foot.

Panel Wall with Inset Glass (UYPFR, UYPER and UYPCR)

All panel profiles accept the Panel Glass Blade for Panel with Inset Glass (UYSPG) and Bridged Glass Blade for Panels with Inset Glass (UYSCG).

The glass blade is inset into the frame, so there is less exposed trim offering a more seamless appearance.

Flush and Conventional panel profiles can accept the Support Foot for Freestanding District (UAFN) for freestanding applications. Elevated Panels **cannot** accept a freestanding foot.

Panel Wall with Accessory Beam (UAFFR, UAFER and UAFCR)

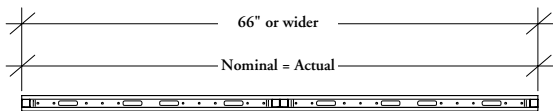
Includes an Accessory Rail for integration with Interpret Screens and Storage.

Flush and Conventional panel profiles can accept the Support Foot for Freestanding District (UAFN) for freestanding applications. Elevated Panels **cannot** accept a freestanding foot.

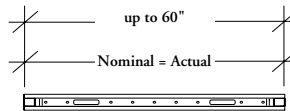
understanding panel walls (continued)

panel creep

District Panels have no creep factor, the nominal dimension and the actual dimension are the same.

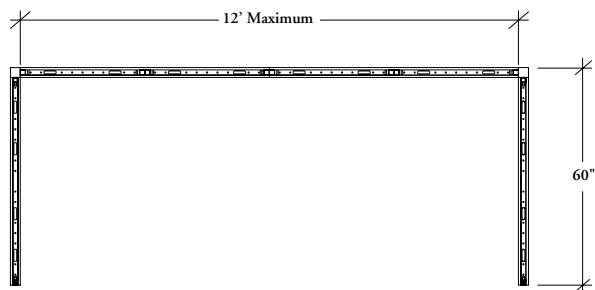


- Panels 66" or wider consist of two equally sized segments

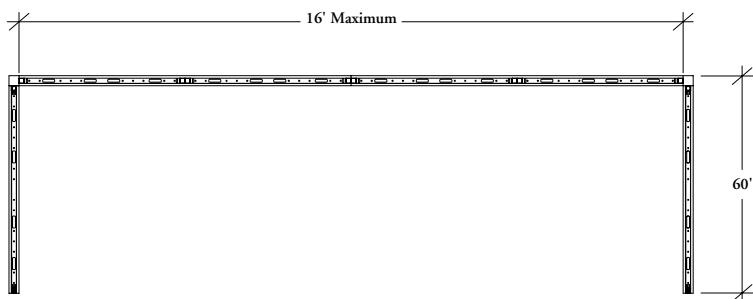


- Frame up to 60" consist of one segment only

panel runs

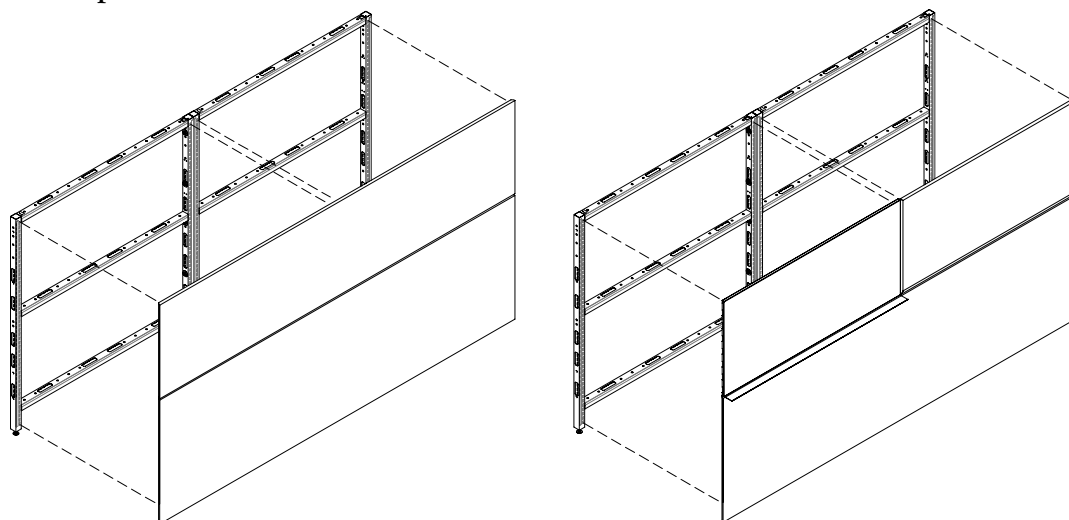


- On panel wall heights of 66" that do **not** support loads, the maximum run allowed is 12' - 0"
- 60" wide x 66" high wing panels must be used at both ends to provide adequate support



- On panel wall heights of 29", 42" and 51" that do **not** support loads, the maximum unsupported run allowed is 16' - 0"
- 60" wide wing panels the same height as the panel run, must be used at both ends to provide support

fascia spans

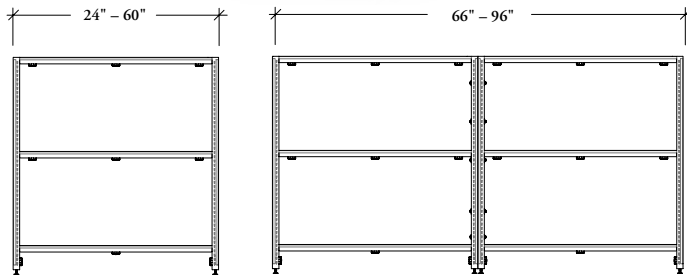
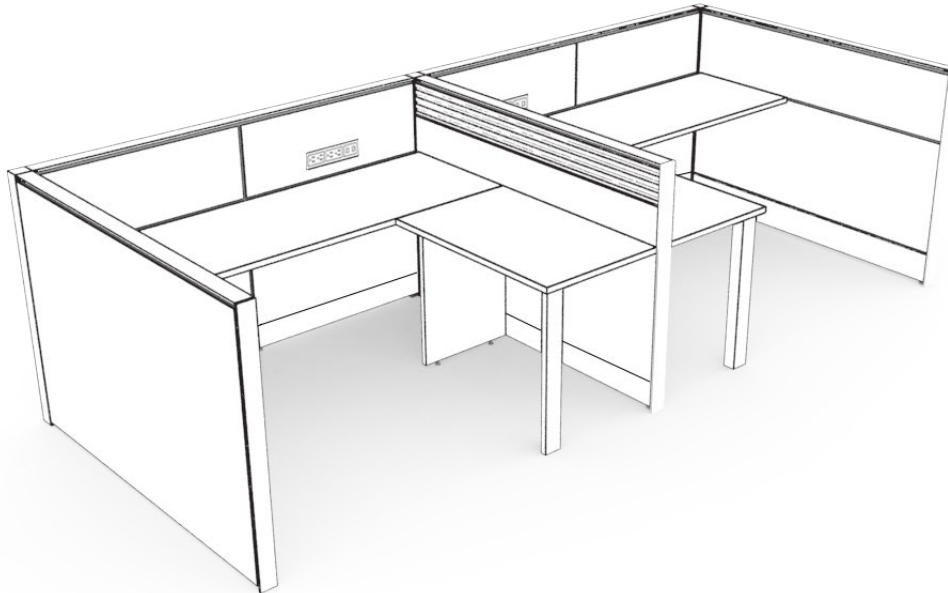


- Fascias can span across both sections of a frame 66" wide and wider to cover the entire width, or can be split so that each section can have a different fascia

flush panel wall basics

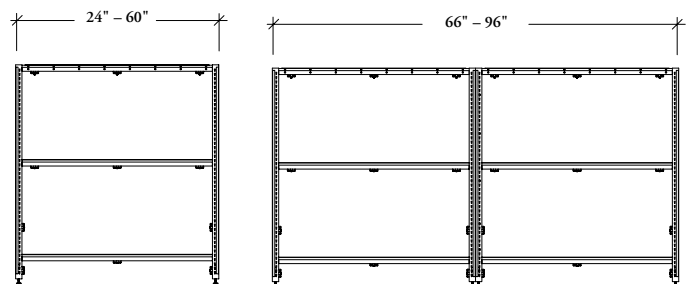
Flush Panel Walls consist of a frame to the floor, and are typically used with hard surface fascias which have mounting clips.

- Consists of one or two sections depending on width and fixed rails at 6" and 29" (or 28" for panels with accessory beam) to allow for horizontal mounting of storage and worksurfaces
- Complete with fascia attachment clips and slots and accepts all fascia types (see Fascia Section for complete product offering)
- Complete with light block strip on vertical and horizontal slots
- Finished in Black



Flush Panel Wall (UNPFR)

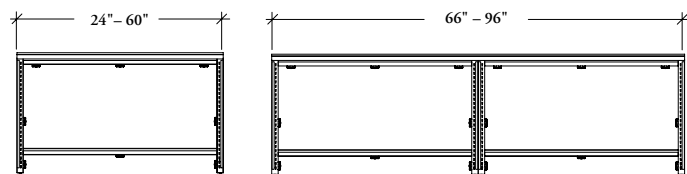
- Available in heights of 29", 42", 51" & 66"
- The 29", 42" & 51" high frame can be used in freestanding application
- Can accept Panel Wall Add-On Screen – Solid (UNSPS) and Panel Wall Add-On Screen – Glass (UNSPG)



Flush Panel Wall with Inset Glass (UYPFR)

- Available 29", 42" & 51" high
- Can be used with or without Panel Glass Blade for Panels with Inset Glass (UYSPG) or Bridged Glass Blade for Panels with Inset Glass Blade (UYSCG)
- If Inset Glass, (UYSPG & UYSCG) is being specified, the Panel Top Trim for Panels with Inset Glass (UNTT) or Bridged Top Trim for Panels with Inset Glass (UYCT) must be specified
- Can be used in freestanding applications
- Panel Walls with Inset Glass do not allow access to the top horizontal rail of the panel, so careful attention must be paid when planning with horizontal mounting brackets. Please see the Worksurface and Support Sections for details on mounting worksurfaces to 29" high Panel Walls with Inset Glass

- When planning with District with Inset Glass Panel, a return panel must be specified on both sides of a panel run when using center mounted overhead storage



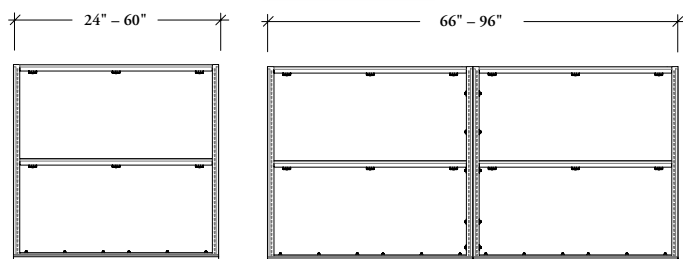
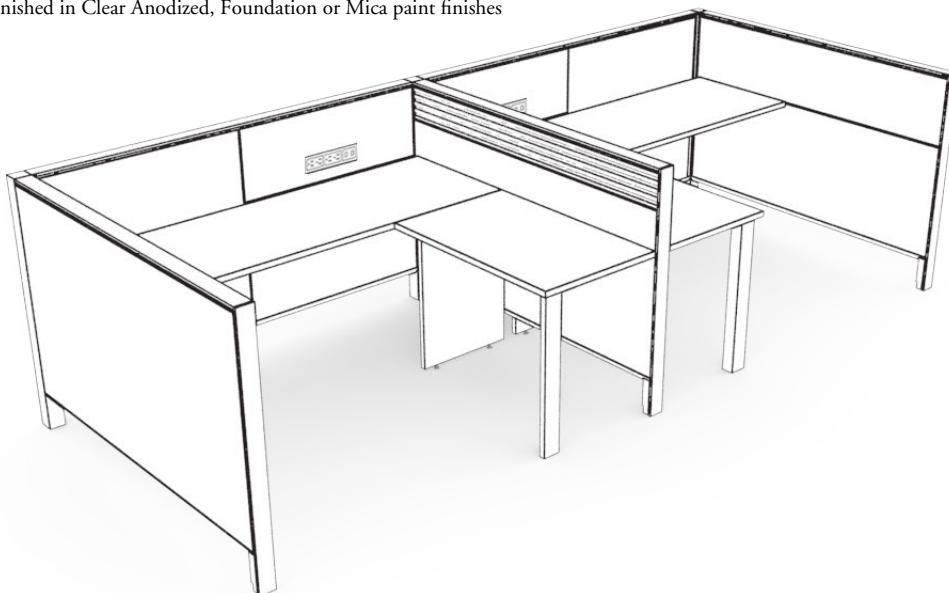
Flush Panel Wall with Accessory Beam (UAFCR)

- Available 29" high only
- Complete with an accessory beam to accommodate Interpret screens and storage
- Can be used in freestanding applications

elevated panel wall basics

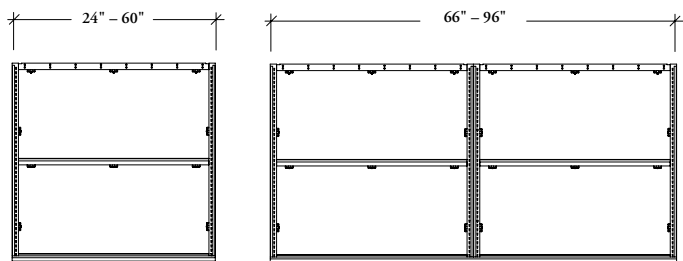
Elevated Panel Walls consist of a frame that allows for 6" of open space at the bottom. It is typically used with hard surface fascias which have mounting clips and for applications where the aesthetic and finish of the foot are considerations.

- Consists of one or two sections depending on width and fixed rails at 6" and 29" (or 28" for panels with accessory beam) to allow for horizontal mounting of storage and worksurfaces, but does **not** extend to the floor – the Elevated Panel Wall Foot (UNPEFR) (must be ordered separately) is attached below the panel frame to reach the desired datum height
- Complete with fascia attachment clips and slots and accepts all fascia types (see Fascia Section for complete product offering)
- Complete with light block strip on vertical and horizontal slots
- Base of the 6" rail is finished in Clear Anodized, Foundation or Mica paint finishes



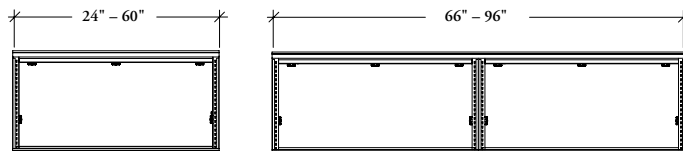
Elevated Panel Wall (UNPER)

- Available in heights of 29", 42", 51" & 66"
- **Cannot** be used in freestanding applications
- Can accept Panel Wall Add-On Screen – Solid (UNSPS) and Panel Wall Add-On Screen – Glass (UNSPG)



Elevated Panel Wall with Inset Glass (UYPER)

- Available 29", 42" & 51" high
- Can be used with or without Panel Glass Blade for Panels with Inset Glass (UYSPG) or Bridged Glass Blade for Panels with Inset Glass Blade (UYSCG)
- If Inset Glass, (UYSPG & UYSCG) is being specified, the Panel Top Trim for Panels with Inset Glass (UNTT) or Bridged Top Trim for Panels with Inset Glass (UYCT) must be specified
- **Cannot** be used on freestanding applications
- Panel Walls with Inset Glass do not allow access to the top horizontal rail of the panel, so careful attention must be paid when planning with horizontal mounting brackets. Please see the Worksurface and Support Sections for details on mounting worksurfaces to 29" high Panel Walls with Inset Glass
- When planning with District with Inset Glass Panel, a return panel must be specified on both sides of a panel run when using center mounted overhead storage



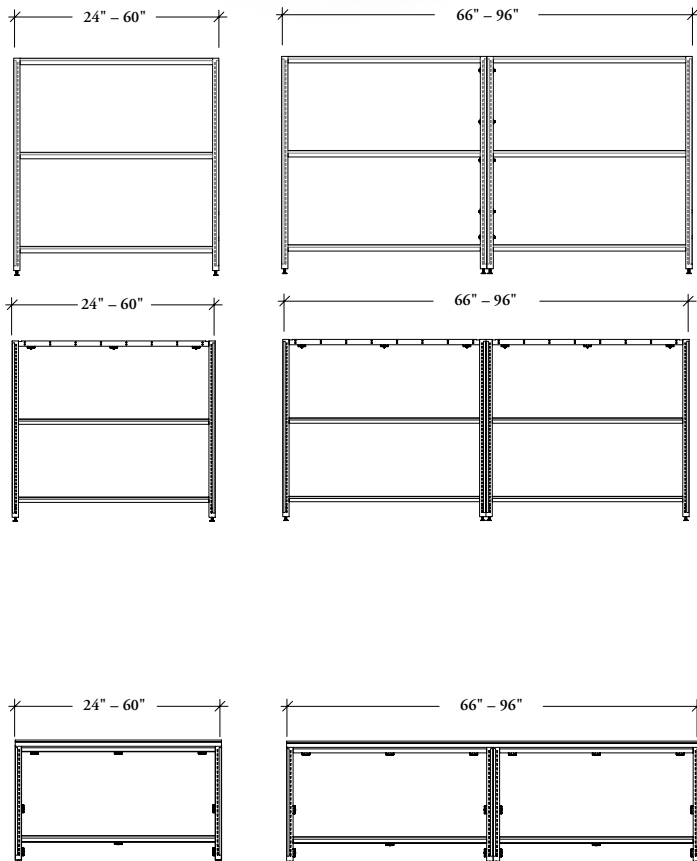
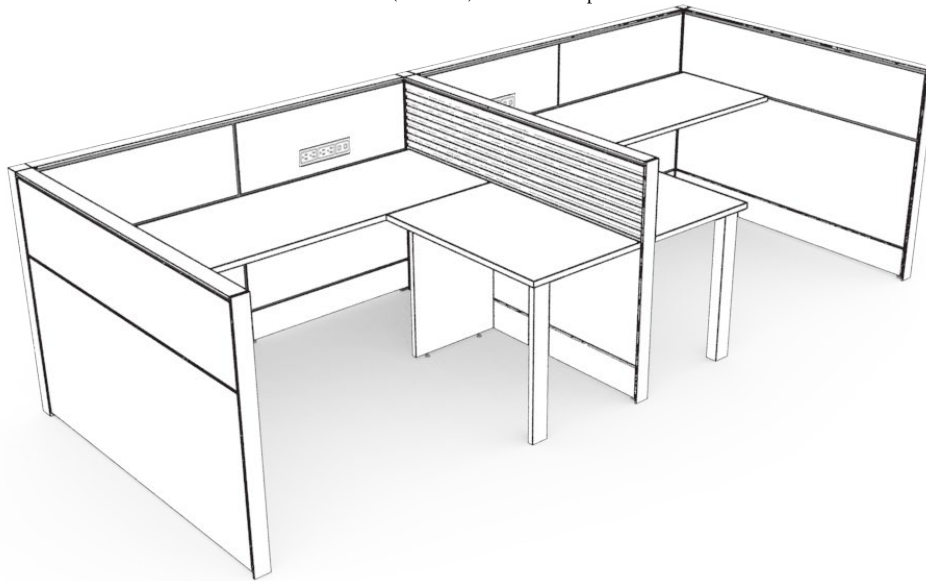
Elevated Panel Wall with Accessory Beam (UAFER)

- Available in 29" high only
- Complete with an accessory beam to accommodate interpret screens and storage
- **Cannot** be used in freestanding applications

convertible panel wall basics

Convertible Panel Walls consist of a frame to the floor and provides an economical and flexible alternative to the Flush and Elevated panel frame. It can be used in a flush or elevated profile and is typically used for applications where the majority of the fascias do not have clips and are slot-mounted.

- Consists of one or two sections depending on width and fixed rails at 6" and 29" (or 28" for panels with accessory beam) to allow for horizontal mounting of storage and worksurfaces
- Does **not** have fascia attachment clips, is complete with slots only
- There are two rows of slots side-by-side will accept both fascias and storage or supports in the same location
- Accepts all fascia types but for Fascias that are complete with fascia clips, a separate mounting clip kit is required for mounting the fascias to the frame
- When used in a Flush application fascias are mounted onto the frame to the floor, and when used in an Elevated application the fascia mounts onto the frame to the 6" rail and an additional Convertible Panel Wall Base and Foot Trims (UNPCF) are added to provide a base trim and foot cover on the frame below the 6" level
- Finished in Black



Convertible Panel Wall (UNPC)

- Available in heights of 29", 42", 51" & 66"
- The 29", 42" & 51" high can be used in freestanding applications
- Can accept Panel Wall Add-On Screen – Solid (UNSPS) and Panel Wall Add-On Screen – Glass (UNSPG)

Convertible Panel Wall with Inset Glass (UYPCR)

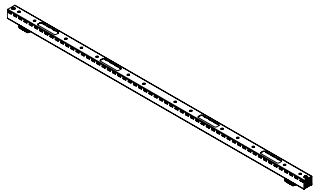
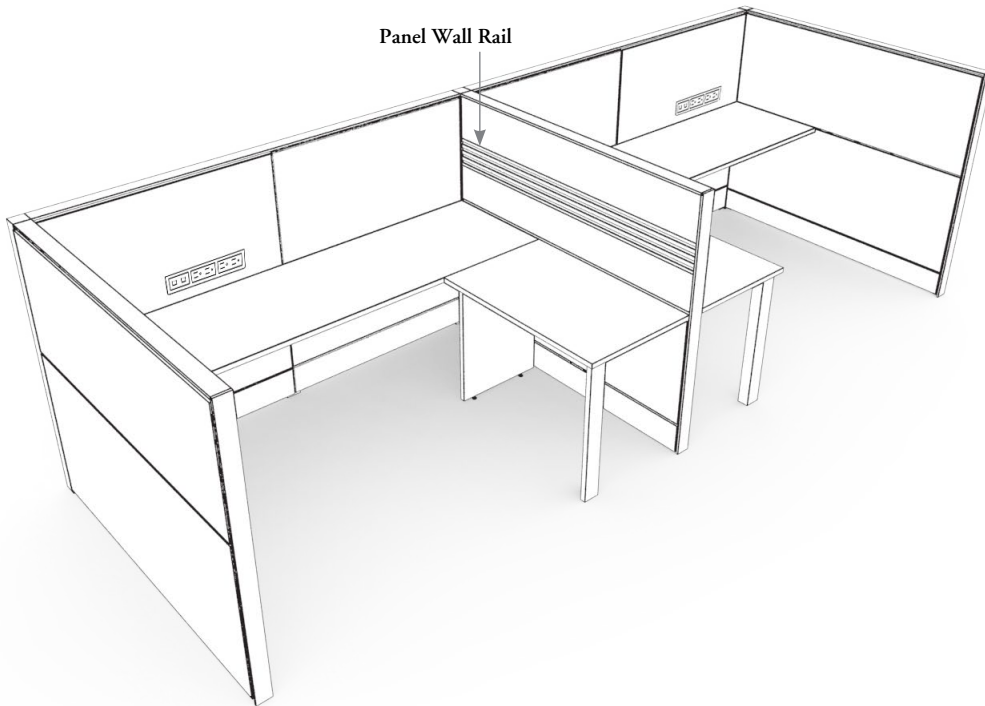
- Available 29", 42" & 51" high
- Can be used with or without Panel Glass Blade for Panels with Inset Glass (UYSPG) or Bridged Glass Blade for Panels with Inset Glass Blade (UYSCG)
- If Inset Glass, (UYSPG & UYSCG) is being specified, the Panel Top Trim for Panels with Inset Glass (UNTT) or Bridged Top Trim for Panels with Inset Glass (UYCT) must be specified
- Can be used in freestanding applications
- Panel Walls with Inset Glass do not allow access to the top horizontal rail of the panel, so careful attention must be paid when planning with horizontal mounting brackets. Please see the Worksurface and Support Sections for details on mounting worksurfaces to 29" high Panel Walls with Inset Glass
- When planning with District with Inset Glass Panel, a return panel must be specified on both sides of a panel run when using center mounted overhead storage

Convertible Panel Wall with Accessory Beam (UAFCR)

- Available in 29" high only
- Complete with an accessory beam to accommodate interpret screens and storage can be used in freestanding when fascias extend to the floor
- Can be used in freestanding applications

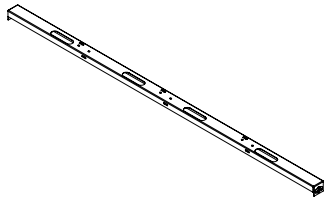
panel wall base basics

Panel Wall Rails and Light Block Rails are used to create additional segmentation on panels above the 29" high rail.



Panel Wall Rail (UNPHN)

- Complete with clips so can be used on all panels when Fascias with clips are specified

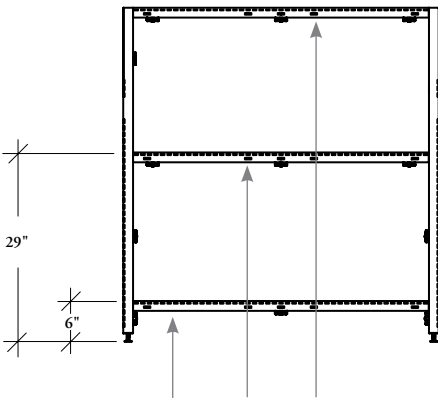


Light Block Rail (UNEX)

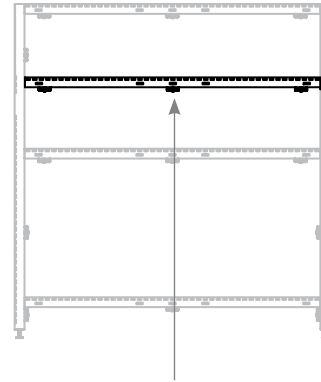
- Does not include clips so can be used on all panel types when fascias with no clips are specified

planning with the panel wall rail & light block rail

The following should be considered when planning with Panel Wall Rails and Light Block Rails.

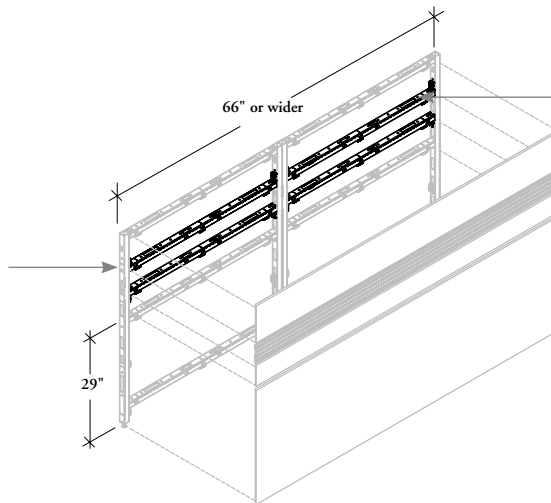


- Panel walls have fixed horizontal segmentation at 6" and 29" heights and top rail height only



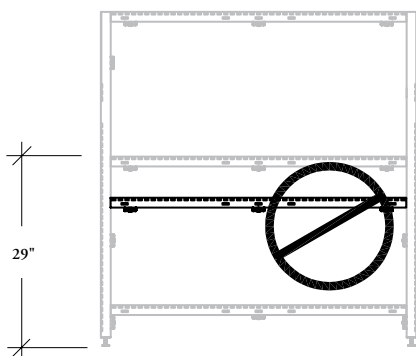
- If additional segmentation is required above 29" high, Panel Wall Rails or Light Block Rails must be added at the desired heights

- One rail is required at all fascia breaks above 29" high
- Choice of rail will depend on whether the fascia has clips (Panel Wall Rail) or mounts into slots (Light Block Rail)



- Panel Wall Rails and Light Block Rails are only available up to 60" wide
- They **cannot** span across the two panel in panel widths 66" and above sections
- One rail must be ordered for each half of the panel

In this example, the 6" and 29" high rail and top of panel are fixed, so four additional rails are required.

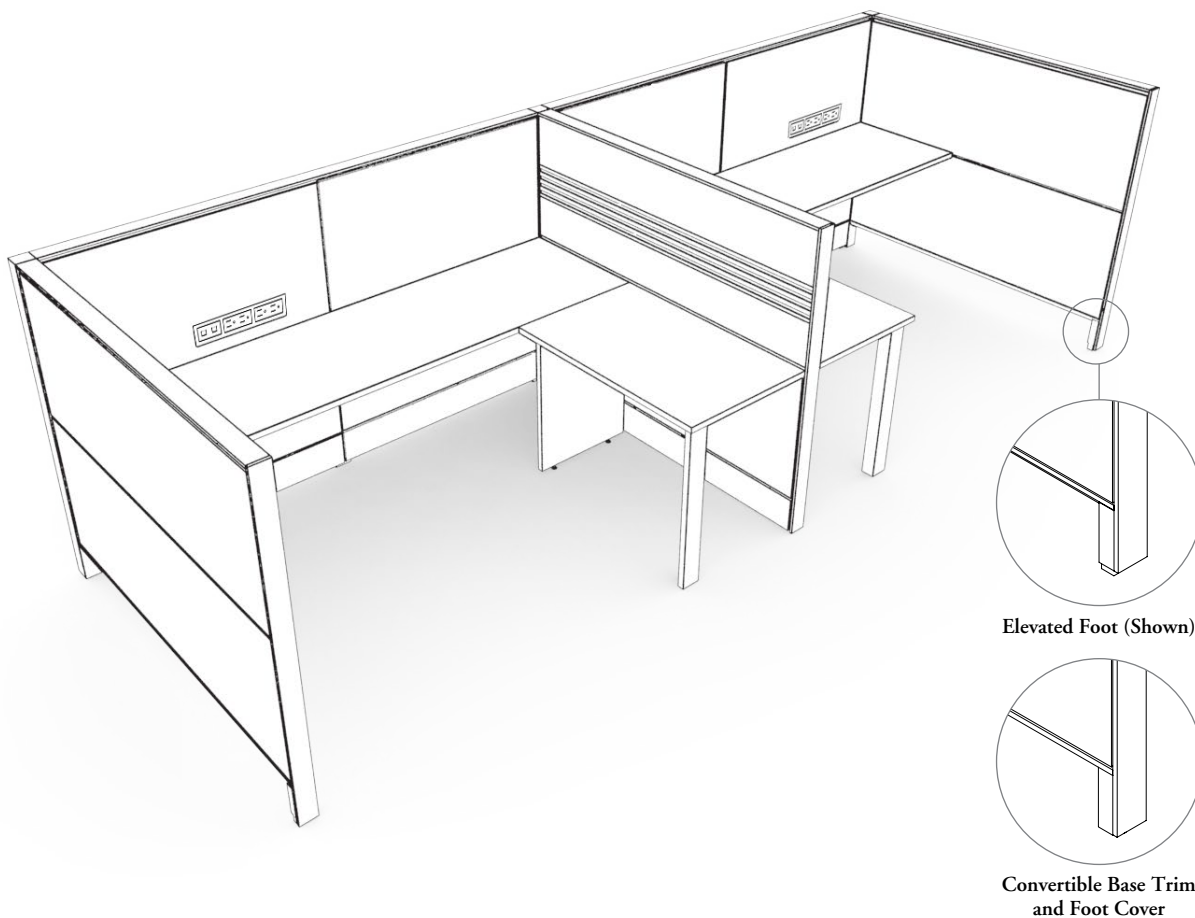


- Panel Walls **cannot** be segmented between the 6" high rail and 29" high rail
- There are no mounting locations in the frame Panel Wall Rails or Light Block Rails

support foot basics

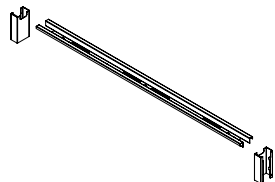
Panel Wall Bases and Panel Wall Feet are used for elevated panel wall applications.

34



Elevated Panel Wall Foot (UNPEFN)

- Used with the Elevated Panel Wall (UNPER) and Elevated Panel Wall with Inset Glass (UYPER)
- Mounted to the base of the panel frame to elevate the frame 6" above the floor
- Used at all ends and shared between two panels at 180° angles, but are **not** required at corners or 180° spacers because the connector provides the necessary panel support
- Available in Clear Anodized, Foundation and Mica paint finishes



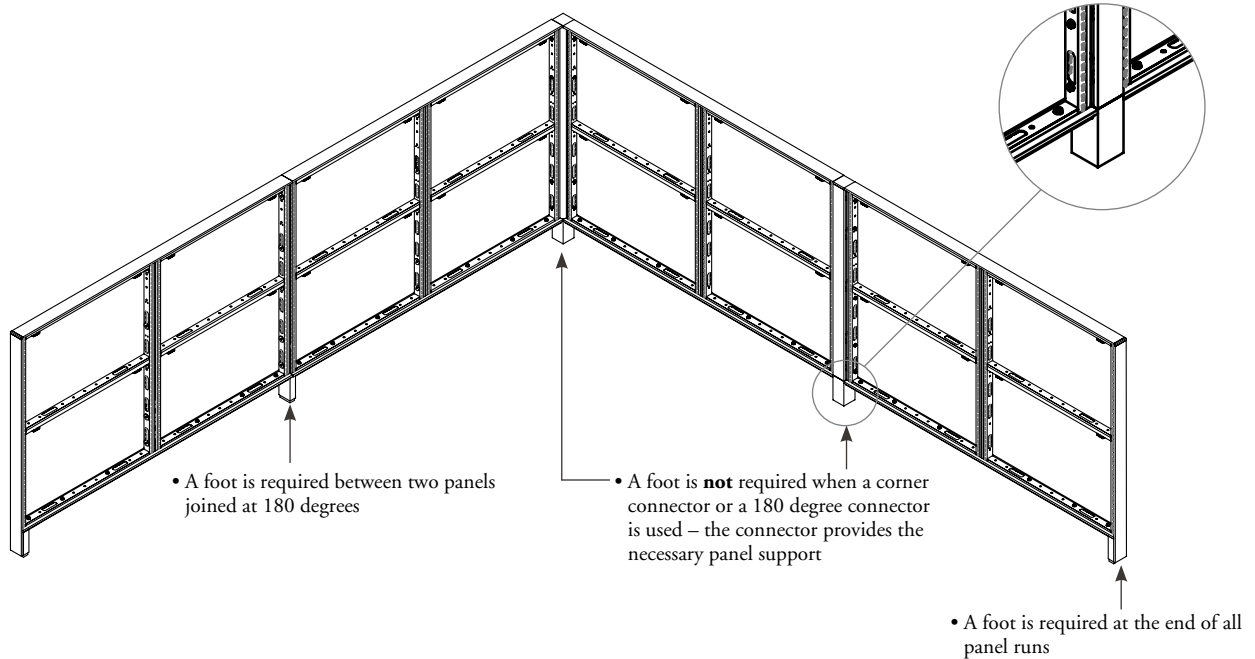
Convertible Panel Wall Base and Foot Trim (UNPCF)

- Used with the Convertible Panel Wall (UNPC) only in an elevated application
- Consists of a metal trim that is attached to the bottom rail of the panel and elevated feet that snap onto the frame post
- One Convertible Panel Wall Base and Foot Trim is required for all elevated panels 60" and less. Two are required for elevated panels 66" and wider as they are made up of two frames (specified as one unit at the overall length)
- Available in Foundation and Mica paint finishes

planning with panel wall base & foot

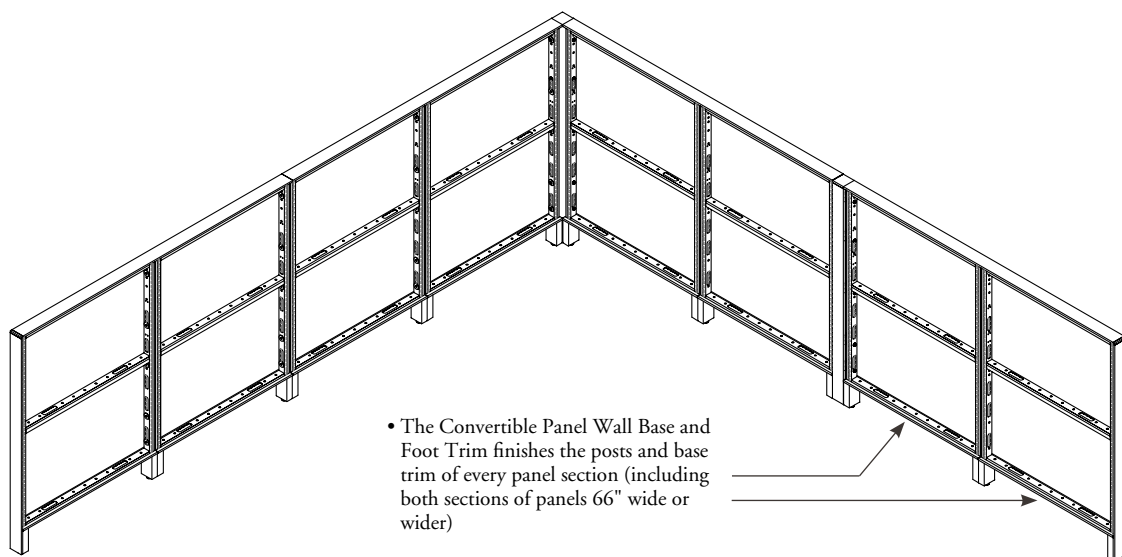
The following should be considered when planning with Panel Wall Bases and Feet.

elevated panel wall foot



- The Panel Wall Foot is used only on the Elevated Panel Wall
- Provides a clean aesthetic at the base of the panel because it is required only at the ends of panel runs and shared between two panels in a straight run
- Offers a Clear Anodized finish option

convertible panel wall base and foot trim

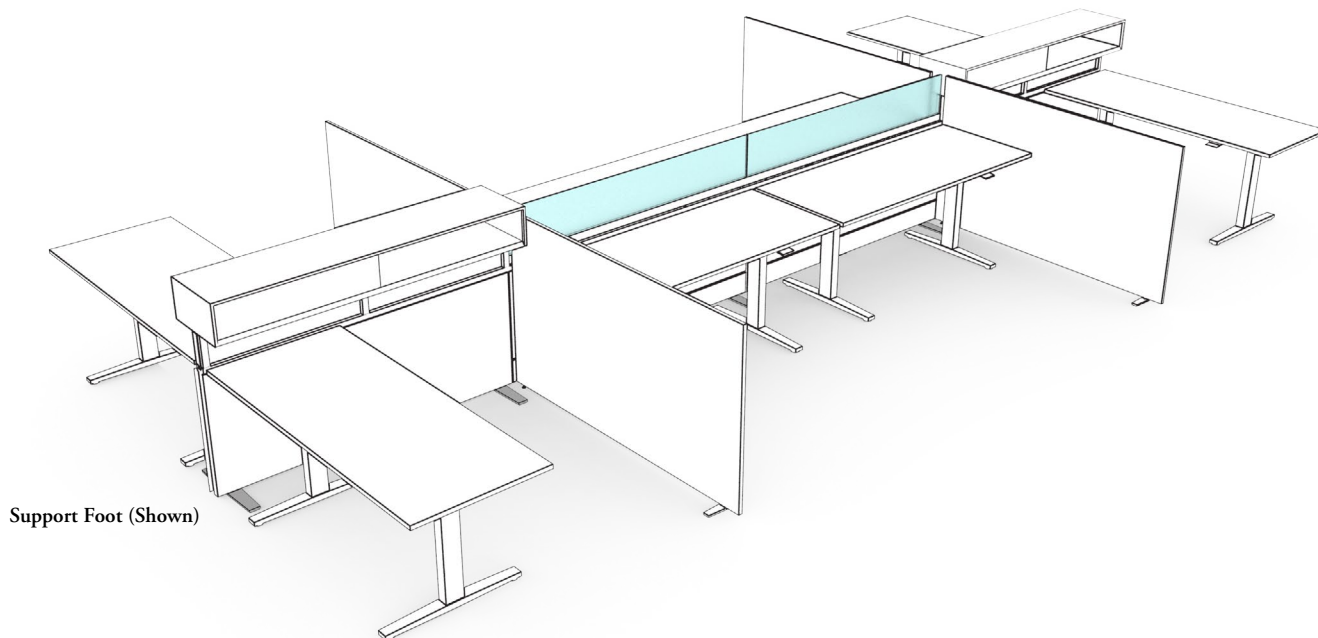


- The Convertible Panel Wall Base and Trim is used only on the Convertible Panel Wall in Elevated applications
- Available only in painted finishes
- Lengths 60" wider and under include two feet covers and one base trim
- Lengths 66" wide and wider include four feet covers and two base trims

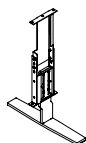
support foot for freestanding district basics

The Support Foot is used to create Freestanding District Panel runs.

36



Support Foot (Shown)

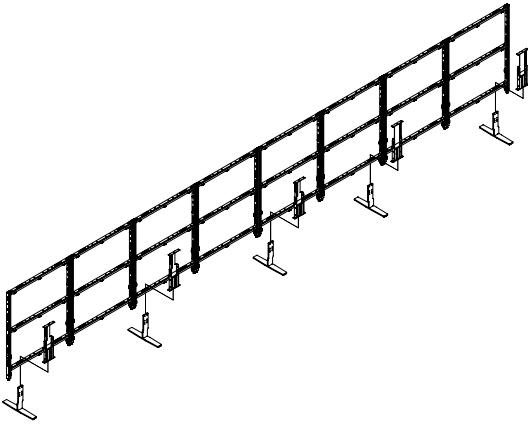


Support Foot for Freestanding District (UAFFN)

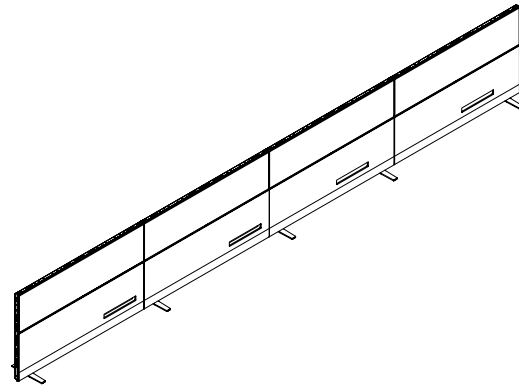
- Installed at the bottom of panels to create freestanding applications
- **Cannot** be used with an Elevated panel
- The Support Foot can be used in any of the four existing hole locations on the bottom of Flush or Convertible panels
- On Panel widths from 24" - 42" there are two cut out locations, 48" - 78" have four cut out locations, 84" - 96" have eight cut out locations
- There must be a foot at both start and ends of a panel run
- The Support Foot takes up approximately 1/2" in height therefore a specific fascia is required below 29" high (the height is nominal, therefore 28" fascia will actually be approximately 27 1/2" to allow for the foot)
- The distance between panel support feet **cannot** exceed 96"
- A unique end trim is required, End Trim for Freestanding District (UATE) to accommodate the height change created by the foot
- Freestanding District can be specified up to 51" total in height (this can be either a 51" high panel or a 29" or 42" high panel with storage or screens to 51" high)
- The top area of the foot offers cable pass through capability available with levelers
- Available with levelers
- Recommend additional support feet if panel mounted storage usage is high

planning with freestanding panels

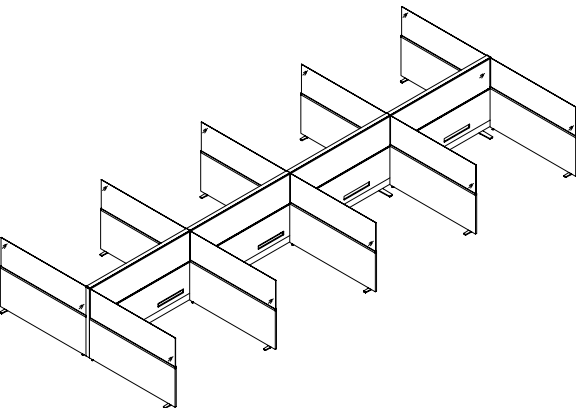
The following outlines the steps for planning with Freestanding District Panels.



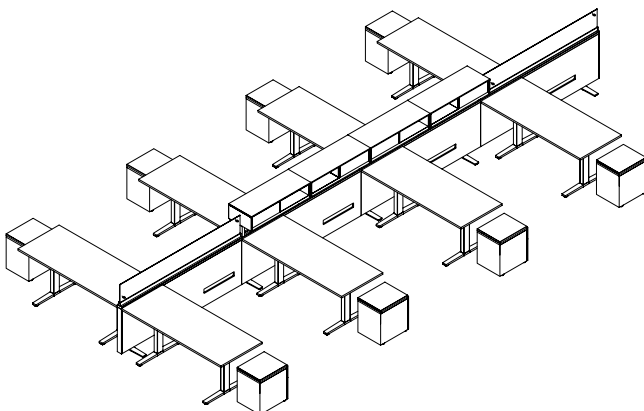
Specify the Support Foot as needed. Support foot must be specified at the beginning and at the end of each run as well as every 8' in between. Support feet **cannot** be placed in the same location that power is used, so careful attention to the planning of power is required. See fascia section for available power cut out locations.



Specify the fascias required. In this example the power is in the right location, but at the end of the run, the power is located center right to avoid interference with support foot.



Add Casual Lateral Screens as required for space division. Casual Lateral Screens do not support the panel, support feet are still required. See screens section for available options.

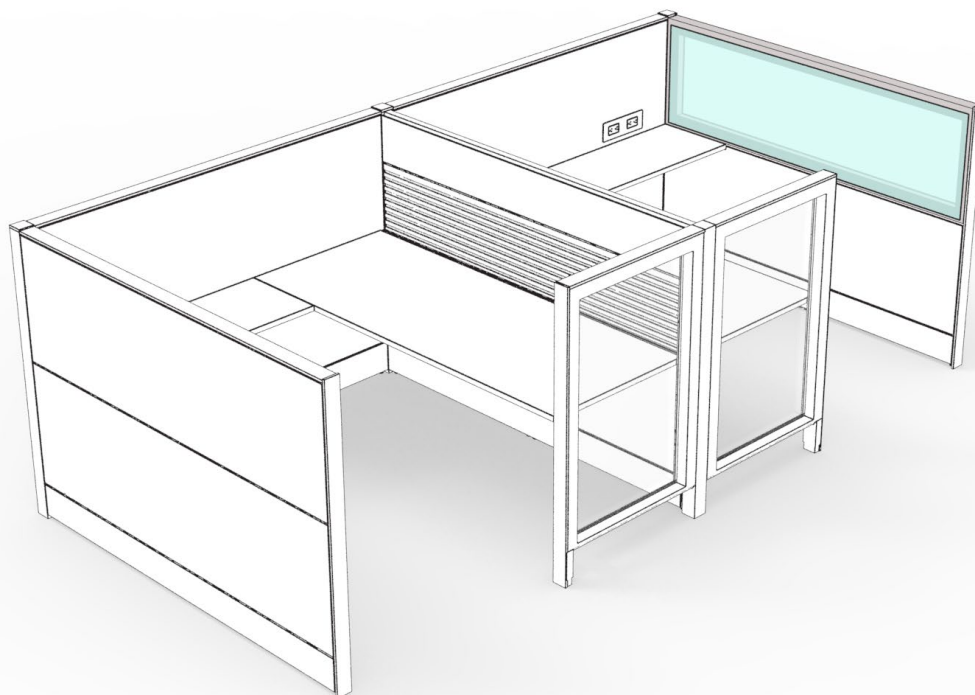


When planned at 29" high with accessory rail, a variety of storage options can be added either freestanding and mobile or mounted onto the accessory beam.

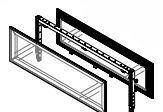
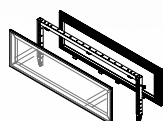
Recommend additional support feet if panel mounted storage usage is high.

add-on window basics

Add-On Windows mount to the top of a panel wall frame to provide an uninterrupted glass finish.

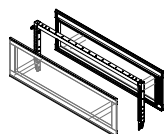
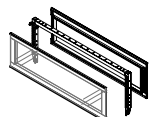


Add-On (D-Style) Window (Shown)



Add-On (D-Style) – Single Glass (UNPWSR) and Double Glass (UNPWDR) Windows

- Mount on-module or semi off-module to the top of a panel wall frame up to a height of 66"
- Frame is continuous on all sides to provide a refined aesthetic
- Are **not** load bearing, and **cannot** be mounted above another add-on window
- Do **not** affect existing cable routing within the panel wall frame
- Available in Standard Glass Clear and Frost, and Specialty Glass Vanceva
- Standard Glass, Clear is a tempered glass; Standard Glass, Frost is a sandblasted tempered glass; Specialty Glass Vanceva is a laminated glass – Clear tempered glass will be applied to the opposite side of the double glass window when Frost or Vanceva glass have been specified
- Frames are available in Clear Anodized, Espresso and Storm White paint finishes
- Top trims must be specified separately
- Not available on UY_ Panels



Add-On (L-Style) – Single Glass (UNPLS) and Double Glass (UNPLD) Windows

- Provide a cost effect alternative to the D-Style Glass Add-On Windows
- Mount on-module or semi off-module to the top of a panel wall frame up to a height of 66"
- frame is visible at the top and bottom only
- Are **not** load bearing, and **cannot** be mounted above another add-on window
- Do **not** affect existing cable routing within the panel wall frame
- Available in Standard Glass Clear and Frost
- Standard Glass, Clear is a tempered glass; Standard Glass, Frost is a sandblasted tempered glass – Clear tempered glass will be applied to the opposite side of the double glass window when Frost has been specified
- Frames are available in Foundation and Mica paint finishes
- Top trims must be specified separately
- Not available on UY_ Panels

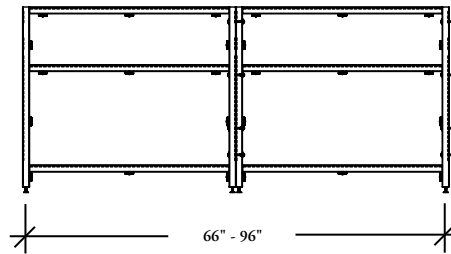
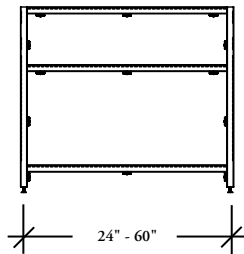
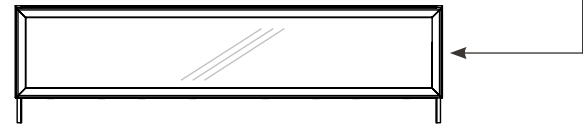
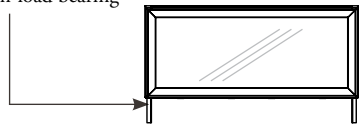
planning with add-on windows

The following should be taken into consideration when planning with Add-On Windows.

stackability

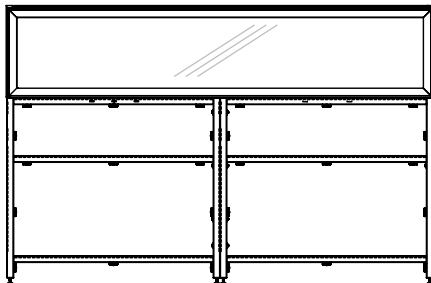
- Only one window can be stacked onto a Panel Wall to a maximum height of 66"
- The Add-On is non-load bearing

- When the panel frame is wider than 60" and made up of two sections, the Add-On spans across both frame sections



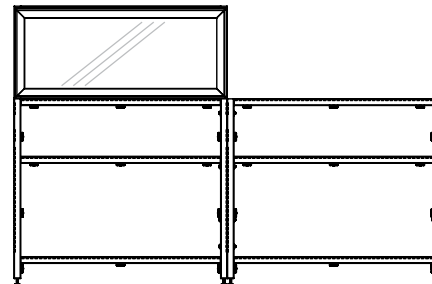
off-modularity

- The Add-On Window can be mounted fully on-module or semi off-module



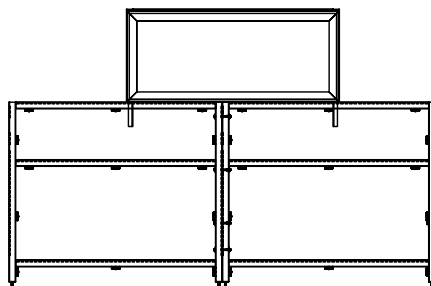
Fully On-Module

- The add-on window spans the entire panel wall regardless of whether the panel is a single frame section or made up of two frame sections



Semi Off-Module

- The Add-On Window is mounted on a panel wall that is over 60" wide therefore, made up of two sections
- The Add-On must be half the width of the overall panel to meet the connection of the two sections

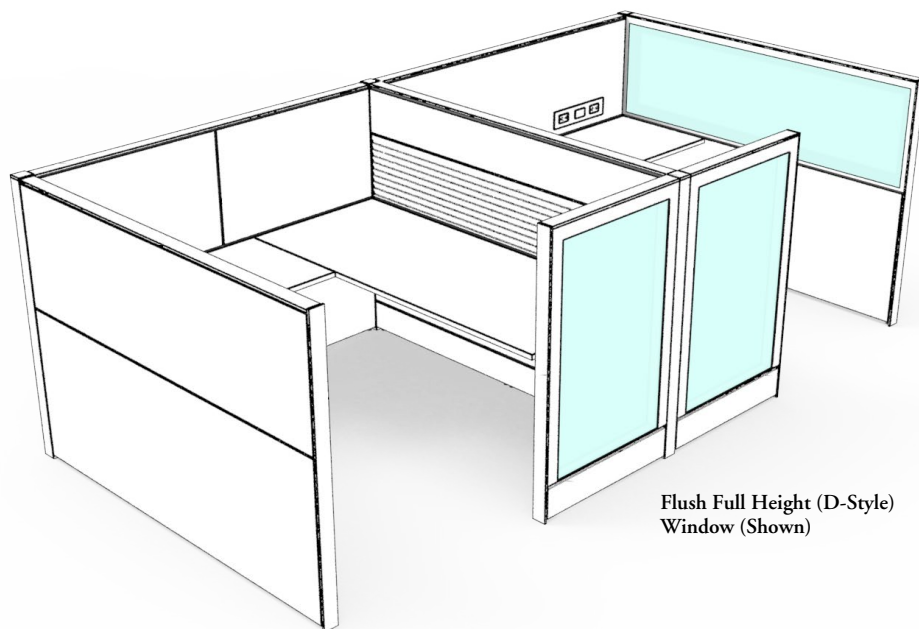


Fully Off-Module

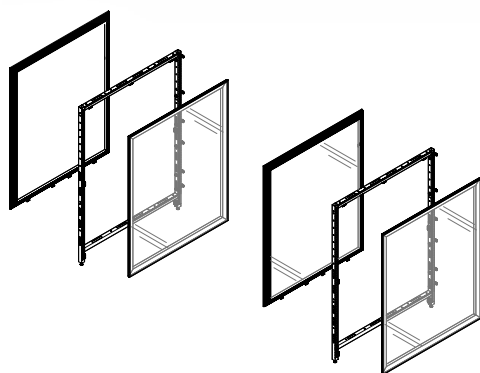
The add-on window **cannot** be specified fully off-module.

full-height window basics

Full-Height Windows are used in place of a panel wall to provide a full-height glass alternative.

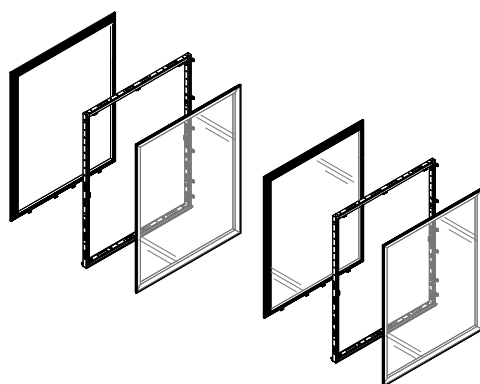


Flush Full Height (D-Style) Window (Shown)



Flush Full-Height (D-Style) – Single Glass (UNPFWSR) and Double Glass (UNPFWDR) Windows

- Used in place of a Flush Panel Wall (UNPFR) and Flush Panel with Inset Glass (UYFPR)
- Available in widths up to 60" for panel heights up to 51" and widths up to 48" for panel heights up to 66"
- Available in Standard Glass Clear and Frost, and Specialty Glass Vanceva
- Standard Glass, Clear is a tempered glass; Standard Glass, Frost is a sandblasted tempered glass; Specialty Glass Vanceva is a laminated glass – Clear tempered glass will be applied to the opposite side of the double glass window when Frost or Vanceva glass have been specified
- Frames are available in Clear Anodized, Espresso and Storm White paint finishes
- Top trims and 6" Base Fascia must be specified separately

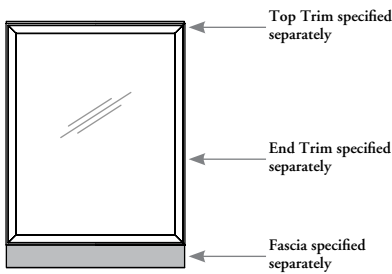


Elevated Full-Height (D-Style) – Single Glass (UNPEWSR) and Double Glass (UNPEWDR) Windows

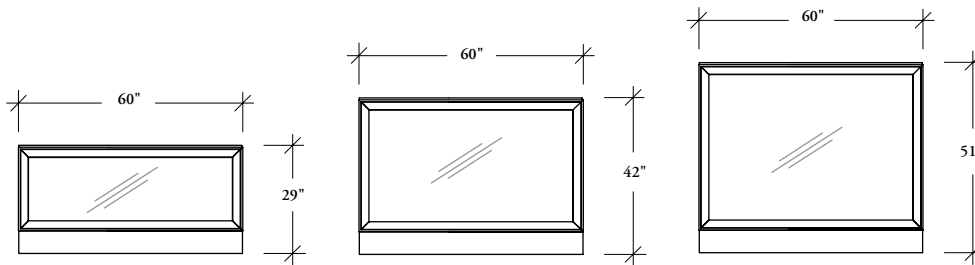
- Used in place of an Elevated Panel Wall (UNPER) and Elevated Panel Wall with Inset Glass (UYPER)
- Available in widths up to 60" for panel heights up to 51" and widths up to 48" for panel heights up to 66"
- Available in Standard Glass Clear and Frost, and Specialty Glass Vanceva
- Standard Glass, Clear is a tempered glass; Standard Glass, Frost is a sandblasted tempered glass; Specialty Glass Vanceva is a laminated glass – Clear tempered glass will be applied to the opposite side of the double glass window when Frost or Vanceva glass have been specified
- Frames are available in Clear Anodized, Espresso and Storm White paint finishes
- Top trims must be specified separately

planning with full-height glass panels

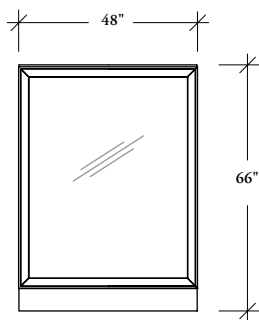
The following should be considered when planning with full-height glass panels.



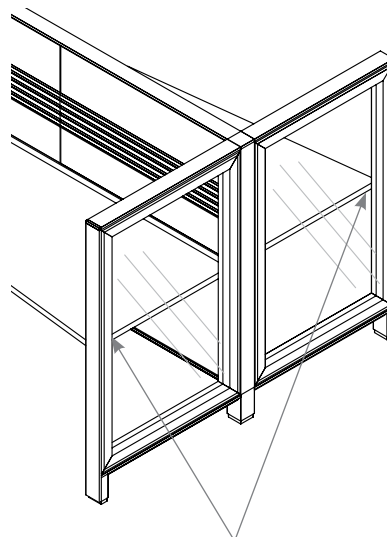
- Consists of the glass and frame only; top trims and end trims must be specified separately
- When the Flush Full Height Window is specified, a fascia must be specified to finish the base below the 6" rail



29", 42" and 51" heights are available in widths from 24" - 60"



66" height is only available in widths from 24" - 48"



- Full-height glass panels can support worksurfaces when the depth of the worksurface and the width of the panels are the same – see the *Supports* section for proper supports

fascias

fascias

UNDERSTANDING FASCIAS.	44
UNDERSTANDING FASCIAS FOR FREESTANDING DISTRICT	45
UNDERSTANDING FASCIA TYPES	46
FASCIA BASICS.	47
PLANNING WITH FASCIAS	55
PLANNING WITH WINDOW FASCIAS	58
PLANNING WITH POWER COMMUNICATIONS FASCIAS ON NON FREESTANDING PANELS	59
PLANNING WITH POWER COMMUNICATIONS FASCIAS ON FREESTANDING PANELS	62

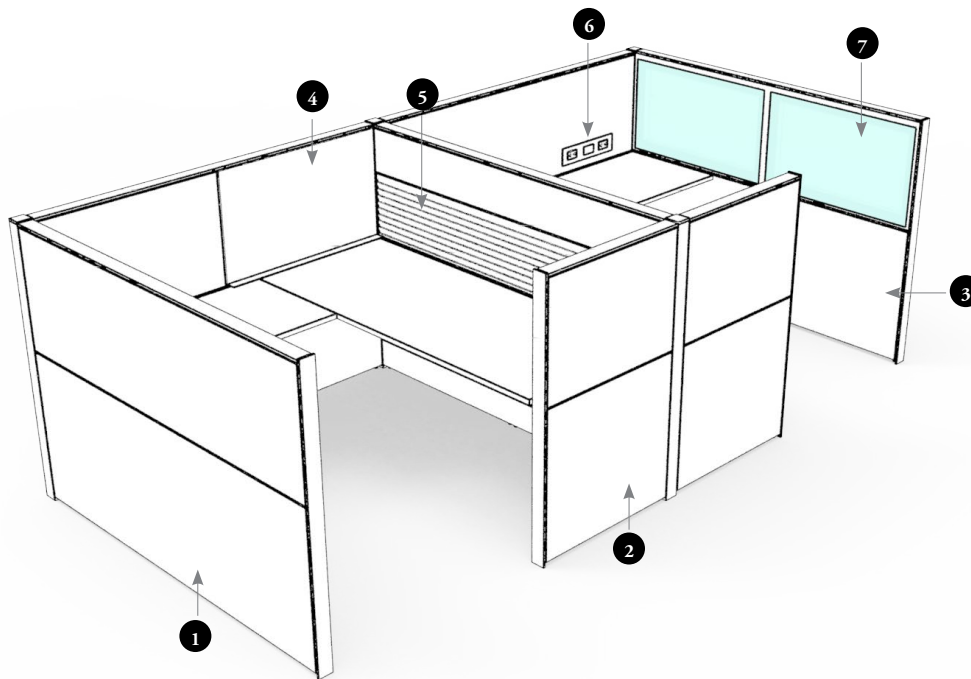
understanding fascias

District Fascias mount to a panel wall frame to provide functionality and aesthetic options to the panel and are available for standard and freestanding applications.

Fascias are available for two applications

- UN_applications - used on
 - Standard panel walls
 - Standard panel walls with accessory rails
- UA_applications - used on
 - Panel walls with freestanding feet (at the bottom level)
 - Panel walls with freestanding feet and accessory rails (at the top level)
- When specifying fascias on panels wall frames the total height of the fascias will be 1" less than the actual panel frame height, to allow for leveling (ex. a 29"h. panel wall frame uses a 28"h. fascia, or a 6" and 22"h. fascia combination)

UN_applications



The following outlines the types of UN__ fascias available

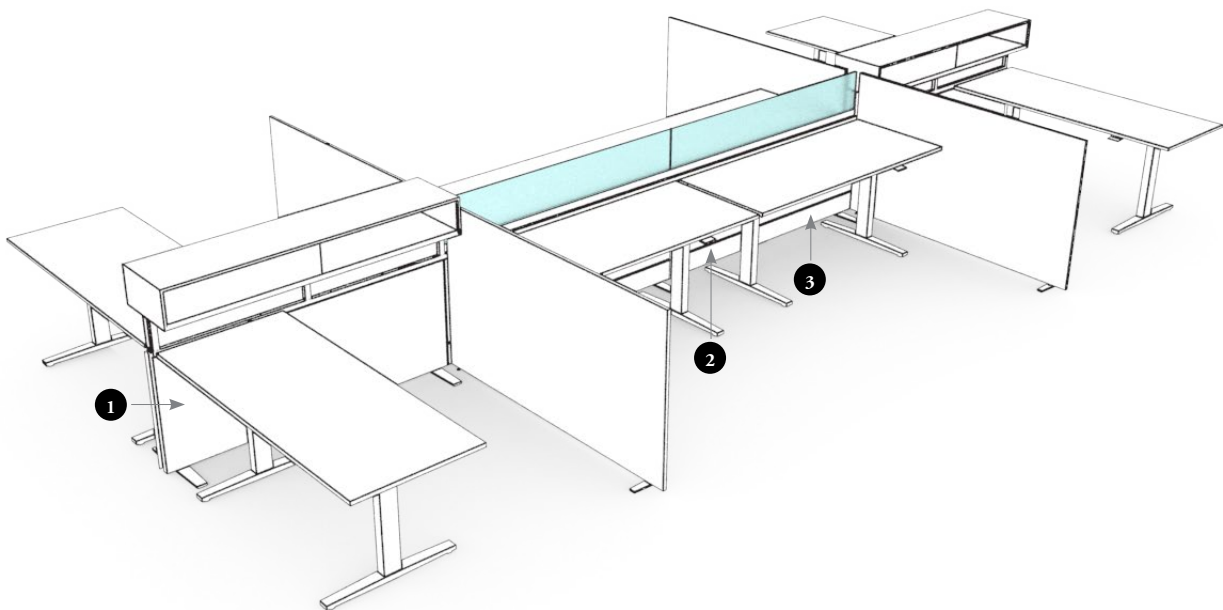
- 1 Solid Fascias
 - Provide a high aesthetic and a furniture look and feel to a workstation
 - Fascias can be segmented or monolithic
- 2 Stretch Solid Fascias
 - Span across connectors to provide an uninterrupted aesthetic
- 3 Fabric and Metal Fascias
 - Provide a cost effective alternative to solid fascias
- 4 Tackable and Whiteboard Fascias, available
 - Framed to provide an enhanced aesthetic
 - Unframed to provide a cost effective alternative
- 5 Accessory Fascias
 - Provide a rail to store personal items above the worksurface
- 6 Power and Communication Fascias
 - Provides access to power either above or below worksurface level
- 7 Window Fascias
 - Add lightness to a panel wall

understanding fascias for freestanding district

UA_ applications

UA_ Fascias can be used in two locations:

- On the bottom level of a panel with freestanding feet
- Only the 6", 27" and 28"h. can be used at the bottom of a panel
- Fascia- heights are nominal, the actual size is 1/2" less to accommodate the freestanding foot
- At a level where electrical is required on a panel with freestanding feet, as the electrical locations are designed to avoid interference with the freestanding feet
- On panel walls with an accessory rail
- When specifying fascias on panels wall frames with accessory rails, the total height of the fascias will be 2" less than the actual panel frame, to allow for the thickness of the accessory rail and for leveling (ex. a 29"h. panel wall frame uses a 27"h. fascia, or a 6" and 21"h. fascia combination)



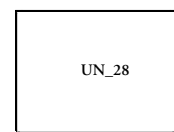
The following outlines the types of UA_ fascias available

- 1 Solid Fascias
 - Accommodates the freestanding foot
- 2 Fabric and Metal Fascias
 - Accommodates the freestanding foot
- 3 Power and Communication Fascias
 - Provides access to power below worksurface level
 - The cut out locations are different than the cut out locations on UN_ fascia to avoid interference with freestanding feet

understanding fascia types

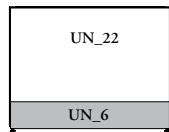
The following examples outline the fascia heights required for non freestanding and freestanding panel configurations.

standard



District Flush or Convertible Panel

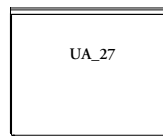
- No Freestanding Feet, 29"h
- UN_28 fascia required



District Flush or Convertible Panel, No Freestanding Foot, 29"h.

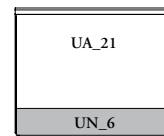
- 1 UN_6 fascia required
- 1 UN_22 fascia required

standard with accessory rail



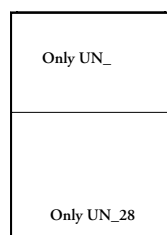
District Flush or Convertible Panel with Accessory Beam, No Freestanding Feet, 29"h

- UA_27 fascia required
- This allows for the 1" accessory rail at the top



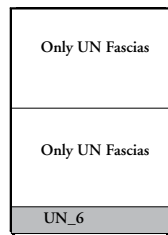
District Flush or Convertible Panel with Accessory Beam, No Freestanding Foot, 29"h.

- 1 UN_6 fascia required
- 1 UA_21 fascia required



District Flush or Convertible Panel, No Freestanding Foot

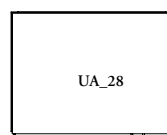
- UN_28 fascia required
- UN_ fascia required to top of panel



District Flush or Convertible Panel, No Freestanding Foot

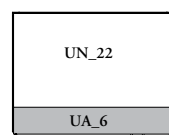
- UN_06 fascia required
- UN_22 fascia required
- UN_ Fascia required to top of panel

panel with freestanding feet



District Flush or Convertible Panel, with Freestanding Foot, 29"h

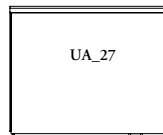
- UA_28 fascia required the panel



District Flush or Convertible Panel with Freestanding Foot, 29"h.

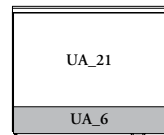
- 1 UA_6 fascia required
- 1 UN_22 fascia required

panel with freestanding feet and accessory rail



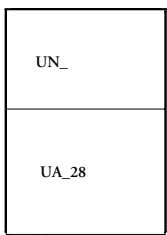
District Flush or Convertible Panel with Accessory Beam and Freestanding Foot, 29"h

- UA_27 fascia required
- This allows for the 1" accessory rail at the top



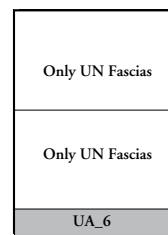
District Flush or Convertible Panel with Accessory Beam and Freestanding Foot, 29"h

- UA_6 fascia required
- UA_21 fascia required
- This allows for the 1" accessory rail at the top



District Flush or Convertible Panel with Freestanding Foot

- UA_28 fascia required
- UN_ fascia required to top of panel



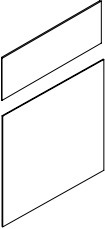
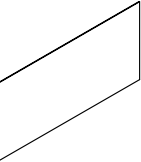
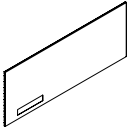
District Flush or Convertible Panel, With Freestanding Foot

- UA_6 fascia required
- UN_22 fascia required
- UN_ Fascia required to top of panel

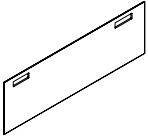
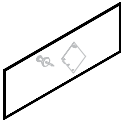
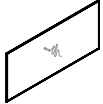

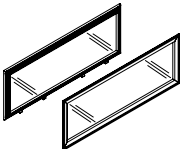
District fascias mount onto panel wall frames by either clip mounting or slot mounting. The following outlines the available options.

clip-mounted

- The following fascias types mount into Flush and Elevated Panel Wall Frames
- They are hard surface fascias that provide a District aesthetic and are considered “D-style” fascias
- All “D-style” fascias mount to the panel frames with clips
- If a “D-style” fascia is required on a Convertible Panel Wall, a Fascia Clip Kit (additional clips) must be ordered and installed on the panel

Product Name & Code	Illustration	Description	
<p>Solid Fascia (UNESD), Solid Full-Height Fascia (UNESF) & Stretch Solid Fascia (UNYSD)</p>		<p>A solid fascia that mounts into a panel wall frame.</p> <p>Widths: 24" - 96" in 6" increments</p> <p>Heights: Solid Fascias 6", 7", 9", 13", 15", 21", 22", 24", 27", 28", 30" and 37"h. Solid Full Height Fascias 35" and 41"h.</p> <p>-For monolithic applications on 42"h panel wall frames</p> <p>Stretch Solid Fascia 6", 21", 22", 27", 28", 35" and 41"h.</p>	<p>Widths: 24" - 96" in 6" increments</p> <p>-Solid and Full Height Solid Fascia widths are actual dimensions</p> <p>-Stretch Solid Fascia widths are nominal dimensions, the actual width is 1 1/2" or 3" wider as they stretch either half way over a three-way connector on one or both sides</p> <p>Finishes: Seamless Laminate Flintwood Natural Veneer</p>
<p>Solid Fascia for Freestanding District (Clip Mounted) (UAESD) & Stretch Fascia for Freestanding District (UAYSJ)</p>		<p>A solid fascia that mounts into a panel wall frame with: Freestanding feet Accessory rail</p> <p>Widths: 24" - 96" in 6" increments</p> <p>-Solid Fascia widths are actual dimensions</p> <p>-Stretch Solid Fascia widths are nominal dimensions, the actual width is 1 1/2" or 3" wider as they stretch either half way over a three-way connector on one or both sides</p> <p>Finishes: Seamless Laminate Flintwood Natural Veneer</p> <p>Heights: Solid Fascias and Stretch Fascias 6", 21", 22", 27", 28", 35" and 41"h.</p> <p>-Used in two locations 1) The base level of a panel wall frame with freestanding feet -Sizes are nominal, actual sizes are 1/2" less to accommodate a freestanding support foot 2) When a panel wall frame has an accessory rail</p>	<p>Widths: 24" - 96" in 6" increments</p> <p>-Solid Fascia widths are actual dimensions</p> <p>-Stretch Solid Fascia widths are nominal dimensions, the actual width is 1 1/2" or 3" wider as they stretch either half way over a three-way connector on one or both sides</p> <p>Finishes: Seamless Laminate Flintwood Natural Veneer</p>
<p>Solid Power/ Communications Fascia (UNECL) (shown) & Solid International Power/ Communications Fascia (UNEIL)</p>		<p>A solid fascia with electrical and communication cut outs that mounts into a panel wall frame.</p> <p>-The cut out configurations and orientations available depend on size, see chart on page __</p> <p>Heights: 7", 13", 21", 22", 27", 28", 37"</p> <p>-Available for above and below worksurface mounting</p> <p>Widths: 24" - 96" in 6" increments</p> <p>Outlet Configurations: UNECL 2 =one duplex outlet plus VDM 4 =two duplex outlets plus VDM UNEIL 2 =cut out for two outlets 3 =cut out for two outlets and one data/ communications 4 =cut out for four outlets 5 =CALA sized cut out for two outlets 6 =CALA sized cut out for four outlets</p>	<p>Cut Out Orientations: Horizontal L =left R =right C =centered B =both left and right Vertical T =top or upper section of fascia B =bottom or lower section of fascia F =flush (28"h. fascias flush to the floor)</p> <p>Finishes: Seamless Laminate Flintwood Natural Veneer</p>

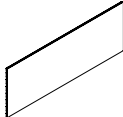
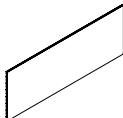
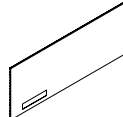
fascia basics (continued)

Product Name & Code	Illustration	Description	
<p>Solid Power/ Communications Fascia for Freestanding District (Clip Mounted) (UAECL) & Solid International Power/ Communications Fascia for Freestanding District (Clip Mounted) (UAEIL)</p>		<p>A solid fascia with electrical and communication cut outs that mounts into a panel wall frame with:</p> <ul style="list-style-type: none"> -Freestanding feet -Accessory rail -The cut out locations are different than a UN_ fascia to allow for the placement of freestanding feet below the panel frame -The cut out configurations and orientations available depend on size, -See chart see power communications fascias chart <p>Heights: 21", 22", 27" and 28"h.</p> <p>-Sizes are nominal, actual sizes are 1/2" less to accommodate a freestanding support foot</p> <p>Widths: 24" - 96" in 6" increments</p> <p>Outlet Configurations:</p> <p>UAECL 2 =one duplex outlet plus VDM 4 =two duplex outlets plus VDM</p> <p>UAEIL 2 =cut out for two outlets 3 =cut out for two outlets and one data/ communications</p>	<p>4 =cut out for four outlets 5 =CALA sized cut out for two outlets 6 =CALA sized cut out for four outlets</p> <p>Cut out Locations:</p> <p>One cut out LL =left RR =right LC =left center RC =right center 2 cut outs LR =left and right CR =left center and right CL =right center and left</p> <p>-See chart see power communications fascias chart</p> <p>Finishes:</p> <p>Seamless Laminate Flintwood Natural Veneer</p>
<p>Tackable Fabric Fascia – Framed (UNEUTR)</p>		<p>A framed tackable fascia that mounts into a panel wall frame</p> <p>Heights: 9", 13", 15", 22", 30" and 37"h.</p> <p>Widths: 24" - 96" in 6" increments</p>	<p>Finishes:</p> <p>Fabric All standard Teknion panel fabrics</p> <p>Frame Clear Anodized Espresso paint Storm White paint</p>
<p>Whiteboard Fascia – Framed (UNEUWR)</p>		<p>A framed whiteboard fascia that mounts into a panel wall frame</p> <p>Heights: 22", 24", 30" and 37"h.</p> <p>Widths: 36", 42" and 48"w.</p>	<p>Finishes:</p> <p>Frame Clear Anodized Espresso Storm White</p>
<p>Accessory Fascia – Anodized Aluminum (UNEUAR)</p>		<p>A 6"h. accessory rail that typically mounts into a panel wall frame from 36"h to 42"h.</p> <ul style="list-style-type: none"> -Does not support monitor arms <p>Widths: 24" - 96" in 6" increments</p>	<p>Finish: Clear Anodized</p>
<p>Window (D-Style) – Single Glass (UNEWSR) & Window (D-Style) – Double Glass (UNEWDR) (shown)</p>		<p>A single or double-sided glass fascia that mounts into a panel wall frame above a worksurface</p> <p>Heights: 9" 13", 15", 22", 24" and 37"h.</p> <p>Widths: 24" - 60" in 6" increments</p> <p>Finishes:</p> <p>Glass Standard Glass Clear, tempered glass Standard Glass Frost, sandblasted tempered</p>	<p>-When double glass is specified clear tempered glass will be applied to the opposite side</p> <p>-Specialty Glass Vanceva, laminated</p> <p>Frame:</p> <p>Clear Anodized Espresso Storm White</p>

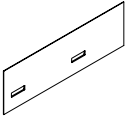
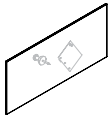
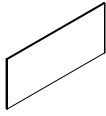
fascia basics (continued)

slot-mounted

- The following fascias types mount to the Convertible Panel Wall Frame. They provide a cost effective alternative to “D-Style” fascias and are unframed. They are also referred to as “L-Style” fascias
- The following fascia types mount onto Convertible Panel Wall Frames
- They are unframed fascias to provide a cost effective solution and are considered “L-style” fascias
- All “L-Style” fascias mount into the panel wall slots
- An “L-Style” fascia can mount into a Flush or Elevated Panel Wall as these frames also contain slots, the clips on the panel walls will remain unused

Product Name & Code	Illustration	Description	
<p>Metal Fascia (UNELM)</p>		<p>A metal fascia that mounts into a panel wall frame</p> <p>Heights: 6", 7", 9", 13", 15", 22", 24", 28", 30" and 37"h.</p> <p>Widths: 6"h. - 28"h. 24" - 96"w. in 6" increments 30" and 37"h. 24" - 60"h. in 6" increments</p> <p>Finishes: Foundation Mica</p>	
<p>Metal Fascia for Freestanding District (UAELM)</p>		<p>A metal fascia that mounts into a panel wall frame with:</p> <p>Freestanding feet Accessory rail</p> <p>Heights: 6", 22", 28", and 35"h.</p> <p>-Mounted in the lowest level of the panel</p> <p>-Sizes are nominal, actual sizes are 1/2" less to accommodate a freestanding support foot 21" and 27"h.</p> <p>-Are used on panel wall frames with an accessory rail</p> <p>-1" less to allow for the thickness of the accessory rail</p>	<p>Widths: 6"h. - 28"h. 24" - 96"w. in 6" increments 35"h. 24" - 60"h. in 6" increments</p> <p>Finishes: Foundation Mica</p>
<p>Communications Fascia (UNELCM) (shown) & Metal International Power/Communications Fascia (UNELIM)</p>		<p>A metal fascia with electrical and communication cut outs that mounts into a panel wall frame</p> <p>Heights: 7", 13", 22", 27" and 37"</p> <p>Available for above and below worksurface mounting</p> <p>Widths: 7" to 27"h 24" - 96" in 6" increments 37"h. 24" - 60"w. in 6" increments</p> <p>Outlet Configurations: UNECLM 2 =one duplex outlet plus VDM 4 =two duplex outlets plus VDM</p> <p>-See chart see power communications fascias chart for size restrictions</p> <p>UNEILM 2 =cut out for two outlets 3 =cut out for two outlets and one data/communications 4 =cut out for four outlets</p>	<p>5 =CALA sized cut out for two outlets 6 =CALA sized cut out for four outlets</p> <p>-See power communications fascias chart for size restrictions</p> <p>Cut Out Orientations: Horizontal L =left R =right C =centered B = both left and right</p> <p>-See power communications fascias chart</p> <p>Vertical T = top or upper section of fascia B =bottom or lower section of fascia F =flush (28"h. fascias flush to the floor)</p> <p>-See power communications fascias chart for size restrictions</p> <p>Finishes: Foundation Mica</p>

fascia basics (continued)

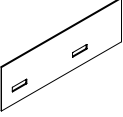
Product Name & Code	Illustration	Description	
<p>Metal Power/Communications Fascia for Freestanding District (Slot Mount) (UAELCM) & Metal International Power/Communications Fascia for Freestanding District (UAELIM)</p>		<p>A metal fascia with electrical and communication cut outs that mounts into panel wall frame with: Freestanding feet Accessory rail -The cut out locations are different than a UN__fascia to allow for the placement of freestanding feet below the panel Heights: 21", 22", 27", 28" and 35"h. -Sizes are nominal, actual sizes are 1/2" less to accommodate a support foot Widths: 36" - 96" in 6" increments Outlet Configurations: UAELCM 2 =one duplex outlet plus VDM 4 =two duplex outlets plus VDM -See power communications fascias chart for size restrictions UAELIM 2 =cut out for two outlets 3 =cut out for two outlets and one data/communications</p>	<p>4 =cut out for four outlets 5 =CALA sized cut out for two outlets 6 =CALA sized cut out for four outlets -See power communications fascias chart for size restrictions Cut out Locations: One cut out LL =left RR =right LC =left center RC =right center -See power communications fascias chart for size restrictions 2 cut outs LR =left and right CR =left center and right CL =right center and left -See power communications fascias chart for size restrictions Finishes: Foundation Mica</p>
<p>Tackable Fabric Fascia (UNELF)</p>		<p>A tackable fascia that mounts into a panel wall frame Heights: 6", 7", 9", 13", 15", 22", 24", 28", 30" and 37"h. Fascias are tackable in all heights except 6" and 7"h. Widths: 24" - 96" in 6" increments</p>	<p>Finishes: Fabric All standard Teknion panel fabrics</p>
<p>Tackable Fabric Fascia for Freestanding District (Slot Mount) (UAELF)</p>		<p>A tackable fascia that mounts into a panel wall frame with: Freestanding feet Accessory rail Heights: 6", 21", 22", and 35"h. -Can only be mounted in the lowest level of the panel -Sizes are nominal, actual sizes are 1/2" less to accommodate a support foot</p>	<p>Widths: 24" - 96" in 6" increments Finishes: Fabric All standard Teknion panel fabrics</p>

fascia basics (continued)

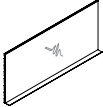
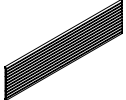
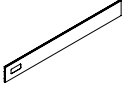

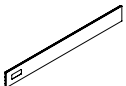
Fascias can be mounted onto panel walls through clip mounting or slot mounting. See chart below. The following charts outline the available options.

slot-mounted (continued)


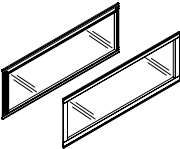
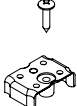
- The following fascia types mount to the Convertible Panel Wall Frame. They provide a cost effective alternative to "D-Style" fascias and are unframed. They are also referred to as "L-Style" fascias
- These fascias can also mount to the Flush Panel Wall or the Elevated Panel Wall Frame using slots in the panel frame

Product Name & Code	Illustration	Description	
<p>Tackable Fabric Power/ Communications Fascia (UNELCF) & Tackable Fabric International Power/ Communications Fascia (UNELIF)</p>		<p>A tackable fascia with electrical and communication cut outs that mounts into a panel wall frame</p> <p>Heights: 7", 13", 22", 27" and 37"</p> <p>-Available for above and below worksurface mounting -Tackable in all heights except 7"h.</p> <p>Widths: 24" - 96" in 6" increments</p> <p>Outlet Configurations: UNELCF 2 =one duplex outlet plus VDM 4 =two duplex outlets plus VDM -See power communications fascias chart for size restrictions</p> <p>UNELIF 2 =cut out for two outlets 3 =cut out for two outlets and one data/ communications 4 =cut out for four outlets 5 =CALA sized cut out for two outlets 6 =CALA sized cut out for four outlets -See power communications fascias chart for size restrictions</p>	<p>Cut Out Orientations: Horizontal L =left R =right C =centered B = both left and right</p> <p>-See power communications fascias chart for size restrictions</p> <p>Vertical T =top or upper section of fascia B =bottom or lower section of fascia F =flush (28"h. fascias flush to the floor)</p> <p>-See power communications fascias chart for size restrictions</p> <p>Finishes: Fabric All standard Teknion panel fabrics</p>
<p>Tackable Fabric Power/ Communications Fascia for Freestanding District (UAELCF) & Tackable Fabric International Power/ Communications (UAELIF)</p>		<p>A tackable fascia with electrical and communication cut outs that mounts into panel wall frame with: Freestanding feet Accessory rail</p> <p>-The cut out locations are different than a UN__fascia to allow for the placement of freestanding feet below the panel</p> <p>Heights: 21", 22", 27" and 35"h.</p> <p>-Sizes are nominal, actual sizes are 1/2" less to accommodate a support foot</p> <p>Widths: 36" - 96" in 6" increments</p> <p>Outlet Configurations: UAELCM 2 =one duplex outlet plus VDM 4 =two duplex outlets plus VDM -See power communications fascias chart for size restrictions</p> <p>UAELM 2 =cut out for two outlets 3 =cut out for two outlets and one data/ communications</p>	<p>4 =cut out for four outlets 5 =CALA sized cut out for two outlets 6 =CALA sized cut out for four outlets</p> <p>-See power communications fascias chart for size restrictions</p> <p>Cut Out Locations: One cut out LL =left RR =right LC =left center RC =right center</p> <p>-See power communications fascias chart for size restrictions</p> <p>Two cut outs LR =left and right CR =left center and right CL =right center and left</p> <p>-See power communications fascias chart for size restrictions</p> <p>Finishes: Fabric All standard Teknion panel fabrics</p>

fascia basics (continued)

Product Name & Code	Illustration	Description
<p>Whiteboard Fascia (UNEMB)</p>		<p>A whiteboard fascia that mounts into a panel wall frame</p> <p>Widths: -Available with or without a tray 36", 42" and 48"w.</p> <p>Heights: 22", 24", 30" and 37"h.</p> <p>Finishes: Foundation Mica</p>
<p>Accessory Fascia (UNELA)</p>		<p>An accessory rail that mounts into a panel wall frame</p> <p>Finishes: Foundation Mica</p> <p>Heights: 6", 13" and 15"h</p> <p>Widths: 24" - 96"w. in 6" increments</p>
<p>Metal Base Feed Fascia (UNELMB) (shown)</p>		<p>A 6"h. metal fascia with a cut out that allows power and communication cables to enter a panel wall frame at the base level</p> <p>Finishes: Foundation Mica</p> <p>Widths: 36" - 96"w. in 6" increments</p>
<p>Metal Base Feed Fascia for Freestanding Application (UAEMLB)</p>		<p>A 6"h. metal fascia with a cut out that allows power and communication cables to enter a freestanding panel wall frame at the base level</p> <p>-Height is nominal, actual sizes are 1/2" less to accommodate a support foot</p> <p>Widths: 36" - 96"w. in 6" increments</p> <p>Cut Out Locations: Left Right Centered</p> <p>-See power communications fascias chart for location restrictions</p> <p>Finishes: Foundation Mica</p>
<p>Fabric Base Feed Fascia (UNELFB)</p>		<p>A 6"h. fabric fascia with a cut out that allows power and communication cables to enter a freestanding panel wall frame at the base level</p> <p>Finishes: Fabric All standard Teknion panel fabrics</p> <p>Widths: 24" - 96"w. in 6" increments</p> <p>Cut Out Locations: Left Right Centered</p> <p>-See power communications fascias chart for location restrictions</p>

fascia basics (continued)

Product Name & Code	Illustration	Description	
<p>Fabric Base Feed Fascia for Freestanding District (UAELFB)</p>		<p>A 6"h. fabric fascia with a cut out that allows power and communication cables to enter a freestanding panel wall frame at the base level</p> <p>-Height is nominal, actual sizes are 1/2" less to accommodate a support foot</p> <p>Widths: 36" - 96"w. in 6" increments</p>	<p>Locations: Left Right Centered</p> <p>-See power communications fascias chart for location restrictions</p> <p>Finishes: Fabric All standard Teknion panel fabrics</p>
<p>Window (L-Style) – Single Glass (UNELWS) & Window (L-Style) – Double Glass (UNELWD) (shown)</p>		<p>A single or double-sided glass "L style" fascia that mounts into a panel wall frame above a worksurface</p> <p>Heights: 9", 13", 15", 22", 24" and 37"h.</p> <p>Widths: 24" - 60" in 6" increments</p>	<p>Finishes: Glass Standard Glass Clear, tempered glass Standard Glass Frost, sandblasted tempered</p> <p>-When double glass is specified clear tempered glass will be applied to the opposite side</p> <p>Frame Foundation Mica</p>
<p>Fascia Clip Kit (UNELK)</p>		<p>Fascia Clips are required to mount clip-mounted fascias to a Convertible Panel Frame</p> <p>-The quantity required varies depending on the size of the panel wall frame</p> <p>-Kits are available in packages of 25 or 100 clips</p>	

fascia basics (continued)

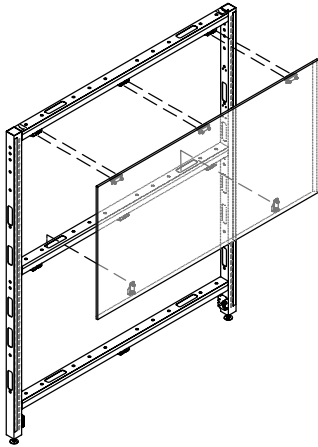
The following charts outline the number of clips required for each clip mounted fascia.

Panel Height	Panel Width	Number of Clips	
		Flush	Elevated
29	24	4	2
29	30	4	2
29	36	4	2
29	42	6	3
29	48	6	3
29	54	6	3
29	60	6	3
29	66	8	4
29	72	8	4
29	78	12	6
29	84	12	6
29	90	12	6
29	96	12	6
42	24	6	4
42	30	6	4
42	36	6	4
42	42	9	6
42	48	9	6
42	54	9	6
42	60	9	6
42	66	12	8
42	72	12	8
42	78	18	12
42	84	18	12
42	90	18	12
42	96	18	12

Panel Height	Panel Width	Number of Clips	
		Flush	Elevated
51	24	6	4
51	30	6	4
51	36	6	4
51	42	9	6
51	48	9	6
51	54	9	6
51	60	9	6
51	66	12	8
51	72	12	8
51	78	18	12
51	84	18	12
51	90	18	12
51	96	18	12
66	24	8	6
66	30	8	6
66	36	8	6
66	42	11	8
66	48	11	8
66	54	11	8
66	60	11	8
66	66	16	12
66	72	16	12
66	78	22	16
66	84	22	16
66	90	22	16
66	96	22	16

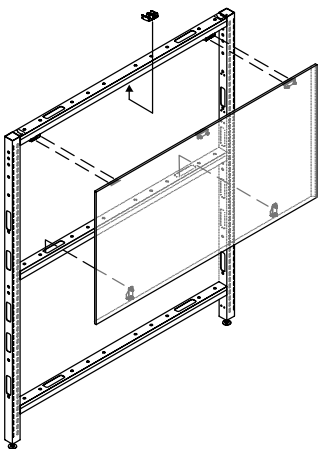
The following should be considered when planning with District Fascias.

clip-mounting vs. slot-mounting

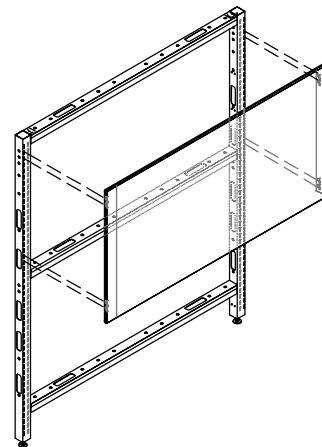


Fascias with Clips (“D” style)

- Intended to mount to Flush or Elevated Panels
- The clip on the fascia connects to the clip on the panel wall frame

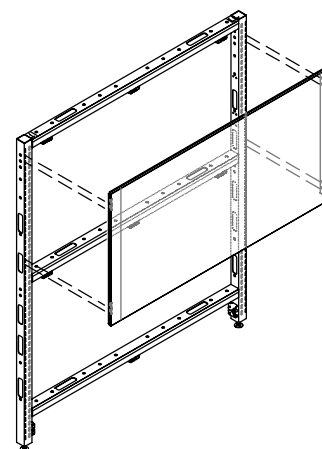


- Clip mounted fascias can also be mounted to a Convertible panel frame, however fascia clips will have to be installed on the panel wall frame (Fascia Clip Kit UNELK)



Slot Mounted Fascias (“L” style)

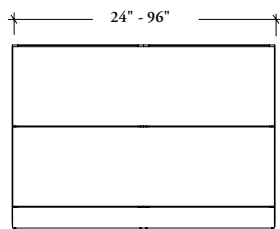
- Intended to mount to Convertible Panel Wall frames
- There are no clips on either the fascia or the frame, the fascias mount into the vertical slots of the frame
- Mounting into the slots will not interfere with slot accessibility for mounted storage or supports



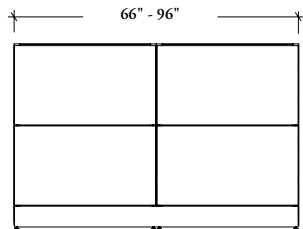
- Slot mounted fascias can also be mounted to a Flush or Elevated panel frame, however the existing clips on the frame will not be used

planning with fascias (continued)

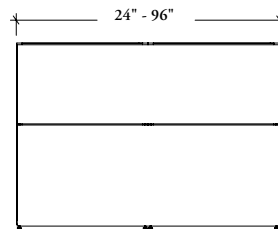
fascia widths



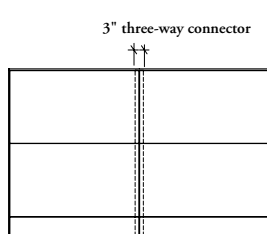
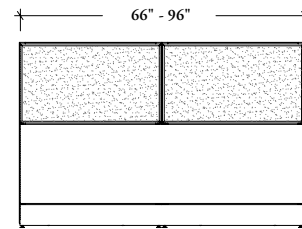
- Fascias can span the entire width of a panel wall frame regardless of whether it is made up of one or two frame sections as the fascias sit outside of the frame



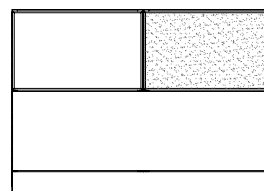
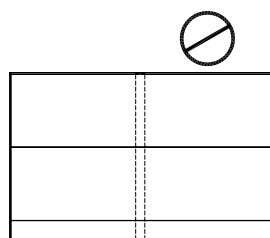
- On panel wall frames that are made up of two frame sections (66" or wider) two equally wide fascias can be specified, one mounting to each section



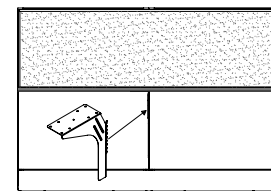
- Fascia widths can be different on opposite sides of a panel, and above and below the 29" high datum as long as they match the datum heights and the width of the panel frame sections



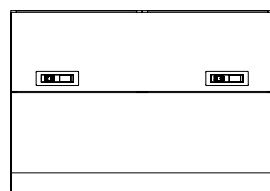
- Two Stretch Fascias span across a three-way connector to conceal the connector to provide a cleaner aesthetic
- A single stretch fascias **cannot** extend over two panel wall frames and the three-way connect, two fascias are required that meet in the middle of the connector



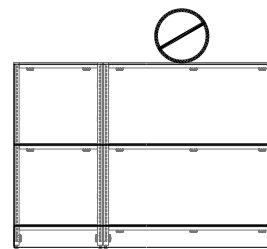
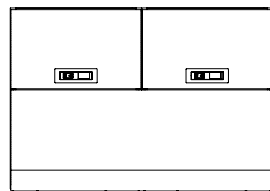
- Fascias above the 29" datum height are typically split to add functionality to a workstation



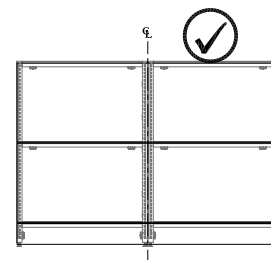
- Fascias below the 29" datum height are typically split when worksurface height-adjustability is required
- Height-adjustable cantilevers require the vertical slot on a panel wall to be exposed for mounting (see Supports section)



- Fascias above and below the worksurface can be split to achieve specific power/communication locations
- Fascia widths under 42" have cut outs available only in the center of the fascia, and fascia widths over 66" have power available only on the right or left side, so splitting fascias into smaller sizes can provide power closer to the center of the panel wall



- A fascia over 66" w. must span across two equally sized frames
- Clip mounted fascias have specific clip locations that must line up with the locations on the frames
- Slot mounted fascias are often reinforced at the center point of the fascia so require the slots to attach to



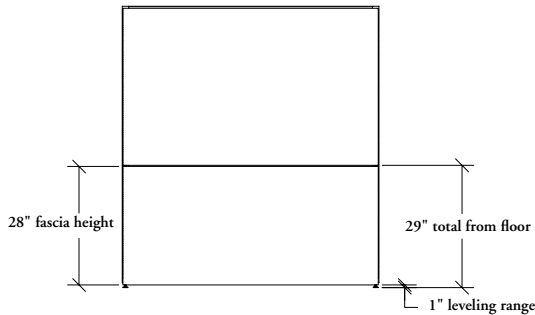
planning with fascias (continued)

fascia heights

- District fascias are available in a variety of heights to achieve different looks and levels of functionality
- The 6" and 29" h. are the only fixed rails

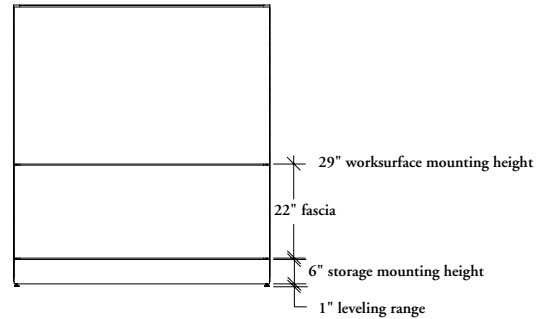
all panel heights (except 42" h)

- The 29" h. datum is always exposed



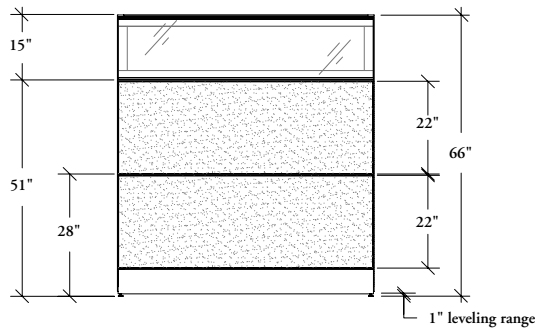
Monolithic aesthetic

- Segmentation only at the 29" datum height



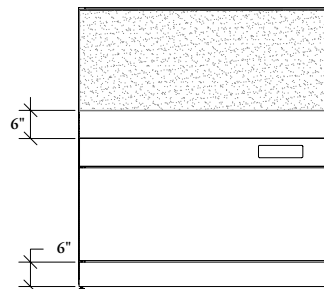
Below workspace segmentation for added functionality

- 6" and 29" high horizontal segmentation allows for workspace and storage mounting



Above workspace segmentation for added functionality

- If segmentation is required above the 29" h. rail, additional panel wall rails or light block rails are required (ex. above - one additional rail is required at the 51" h. datum)

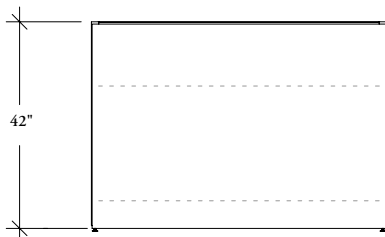


Reconfigurable fascias

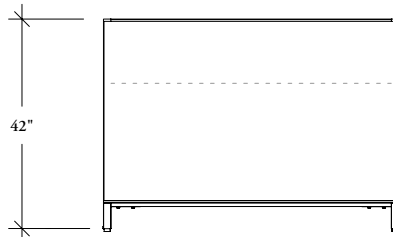
- The same fascia can be used above and below the workspace to add to the reconfigurability of a panel wall (ex. above - a 6" fascia is used at the base of the panel, and between 36" and 42" h.)

42" high panels only

- Monolithic fascias are available for 42" high panels only



- A 41" h. fascia is used on a Flush or Conventional Panel Wall, and covers the 6" and 29" h. fixed rails



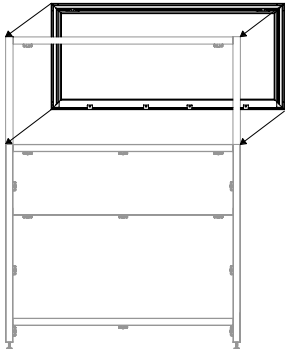
- A 35" h. fascia is used on an Elevated Panel Wall, and covers the 29" h. fixed rail

planning with window fascias

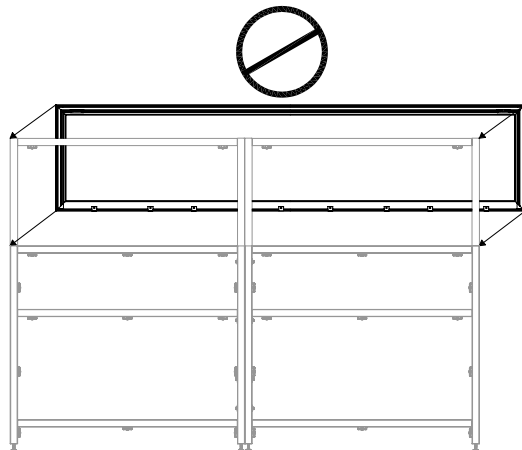
The following should be considered when planning with District Window Fascias.

- Window fascias mount into a panel wall frame, they do **not** mount above the frame

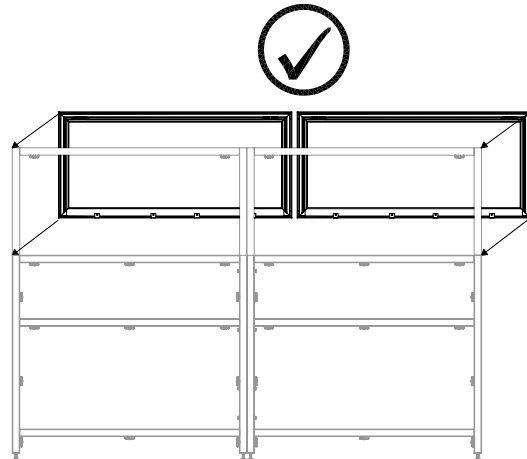
58



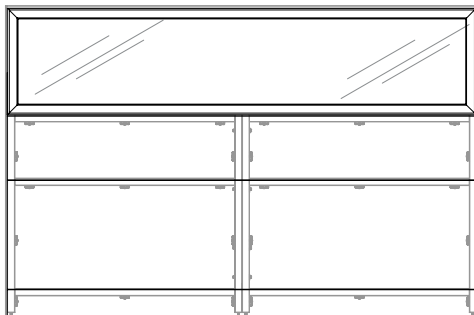
- A panel wall frame up to 60" w. is only one frame section so can accommodate a single window fascia



- A panel wall frame 66" w and wider consists of two frame sections
- It **cannot** accommodate a single window fascia



- Two equally sized windows must be specified, one will fit into each section of the panel wall frame



- If a single span of glass is desired for panels over 60" wide, the window / UNEW_R must be used as it mounts above the frame

planning with power communications fascias on non freestanding panels

Power and Communication Fascia cut outs are available in a variety of locations depending on the size of the fascia. The following chart is an overview of the available locations.

fascias for non freestanding panels

- UNECL Solid Power Communications Fascia (Clip Mount)
- UNEIL Solid International Power Communications Fascia (Clip Mount)
- UNEICM Metal Power/Communications Fascia (Slot Mount)
- UNELIM Metal International Power Communications Fascia (Slot Mount)
- UNELCF Tackable Fabric Power/Communications Fascia (Slot Mount)
- UNELIF Tackable Fabric International Power Communications Fascia (Slot Mount)

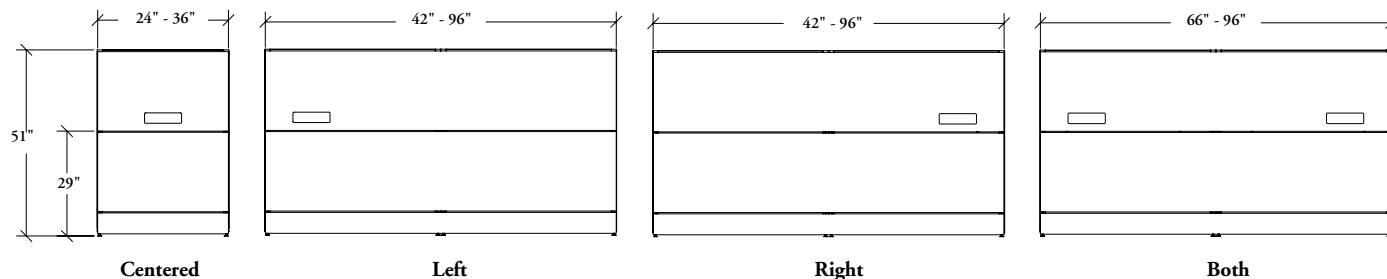


Horizontal Power/Communication Orientation														Vertical Power/Communications Orientation										
		Fascia Widths												Fascia Heights										
		24	30	36	42	48	54	60	66	72	78	84	90	96	7	13	21	22	27	28	37			
L-Left	All outlet configurations														T top									
R-Right	All outlet configurations														B bottom									
B-Both	All outlet configurations														F flush									
C-Center	2 (2 outlets)																							
	3 (2 outlets and 2 data)																							
	4 (4 outlets)																							
	5 (2 outlets CALA)																							
	6 (4 outlets CALA)																							

planning with power communications fascias on non freestanding panels (continued)

horizontal power/communications orientation

single width



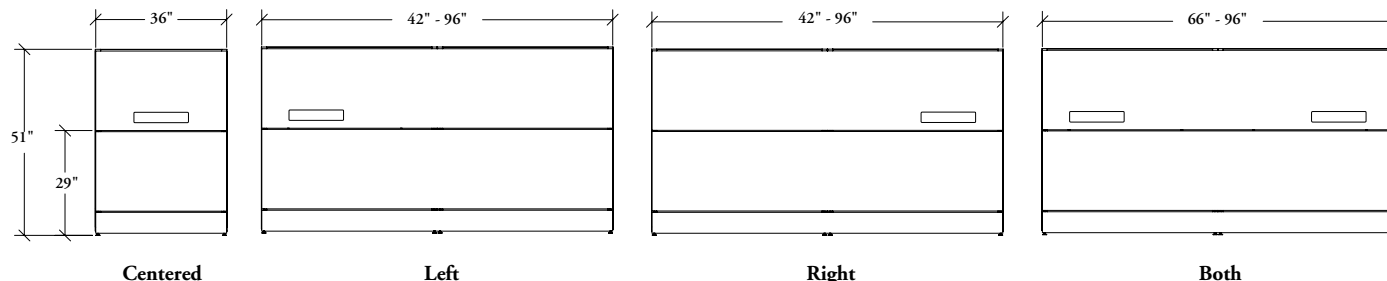
Duplex outlet plus VDM (2)

- UNECL Solid Power Communication Fascia
- UNELCM Metal Power Communication Fascia
- UNELCF Fabric Power Communication Fascia

Cut Out for two outlets (2)

- UNEIL International Solid Power Communication Fascia
- UNELIM International Metal Power Communication Fascia
- UNELIF International Fabric Power Communication Fascia

double width



Cut Out for two outlets and one data/communications (3)

- UNEIL International Solid Power Communication Fascia
- UNELIM International Metal Power Communication Fascia
- UNELIF International Fabric Power Communication Fascia

Cut Out for two duplex outlets plus VDM (4)

- UNECL Solid Power Communication Fascia
- UNELCM Metal Power Communication Fascia
- UNELCF Fabric Power Communication Fascia

CALA Cut Out for two outlets (5)

- UNEIL International Solid Power Communication Fascia
- UNELIM International Metal Power Communication Fascia
- UNELIF International Fabric Power Communication Fascia

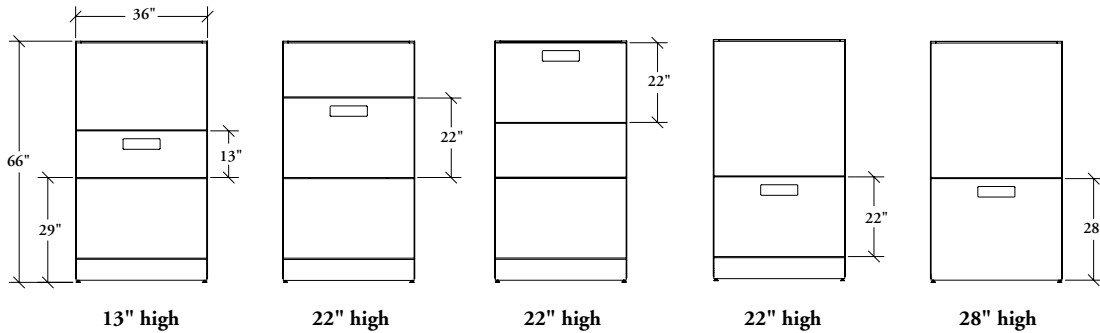
CALA Cut Outs for four outlets (6)

- UNEIL International Solid Power Communication Fascia
- UNELIM International Metal Power Communication Fascia
- UNELIF International Fabric Power Communication Fascia

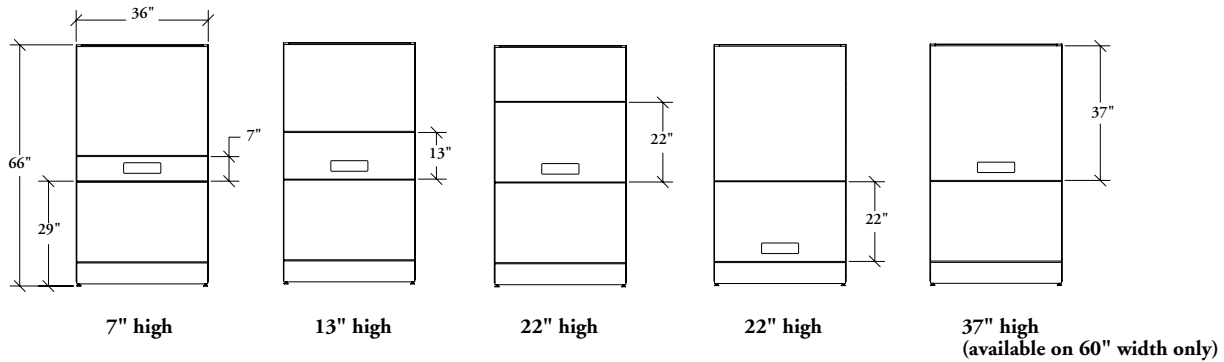
planning with power communications fascias on non freestanding panels (continued)

vertical power/communication orientation

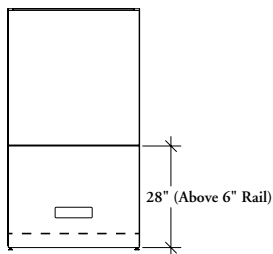
top location



bottom location



flush location



- When a power and communications fascia is installed on one side of a panel wall only, certain fascias, certain restrictions apply
- A solid fascia is the only clip mounted fascia that can be used on the opposite side
- All slot mounted fascias can be used on the opposite
- If a segmentation is required above the fascia, a light block rail must be used and it must be rotated 90° to allow more room inside of the panel frame

planning with power communications fascias on freestanding panels

Power and Communication Fascia cut outs are available in a variety of locations depending on the size of the fascia. The following chart is an overview of the available locations.

fascias for freestanding panels and panels with accessory rail

- UAECL Solid Power Communications Fascia (Clip Mount) for Freestanding District
- UAEIL Solid International Power Communications Fascia for Freestanding District (Clip Mount)
- UAELCM Metal Power Communications Fascia for Freestanding District (Slot Mount)
- UAELIM Metal International Power Communications Fascia for Freestanding District (Slot Mount)
- UAELCF Tackable Fabric Power Communications Fascia for Freestanding District (Slot Mounted)
- UAELIF Tackable International Fabric Power Communications Fascia for Freestanding District (Slot Mounted)

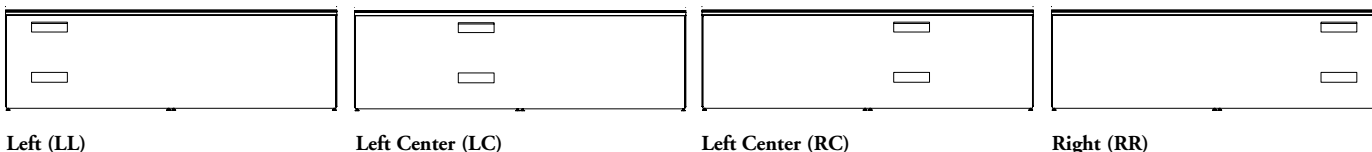
Available
 Not Available

Horizontal Power/Communication Orientation														Vertical Power/Communications Orientation							
		Fascia Widths												Fascia Heights							
		24	30	36	42	48	54	60	66	72	78	84	90	96	7	13	21	22	27	28	37
L-Left	2 (2 outlets), 5 (2 outlets CALA)													T top							
R-Right	2 (2 outlets), 5 (2 outlets CALA)													B bottom							
LC -Left Center	2 (2 outlets), 5 (2 outlets CALA)													F flush							
RC -Right Center	2 (2 outlets), 5 (2 outlets CALA)																				
LR Left and Right	3 (2 outlets and 2 data), 4 (4 outlets), 6 (4 outlets CALA)																				
CR Left Center and Right	3 (2 outlets and 2 data), 4 (4 outlets), 6 (4 outlets CALA)																				
CL -Right Center and Left	3 (2 outlets and 2 data), 4 (4 outlets), 6 (4 outlets CALA)																				

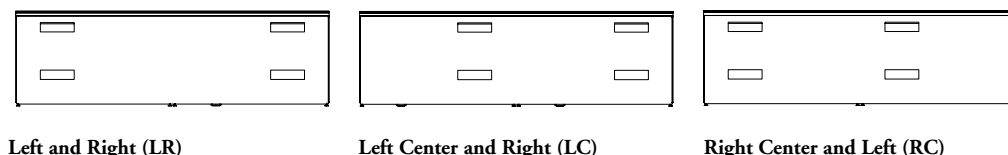
electrical/communication outlet locations

- Careful attention is required when planning with UA_ Power Communication Fascias.
- The support on the freestanding foot extends from the bottom of the panel to the top, so no electrical can be placed above it
- The UA_ fascia has additional location options to accommodate this
 - The UA_ fascia is not available 24" or 30" w, when these sizes are required a UN_ power communication fascia must be used
 - UN_ fascias can be used in freestanding applications, as long as the cut out location is not over a freestanding foot

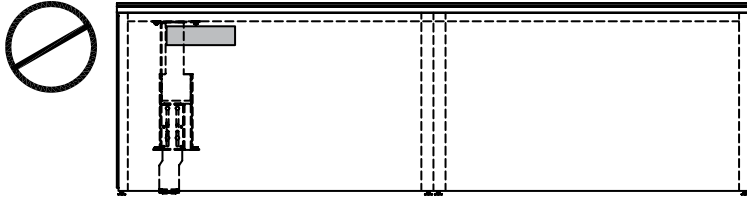
fascias 36" - 60"



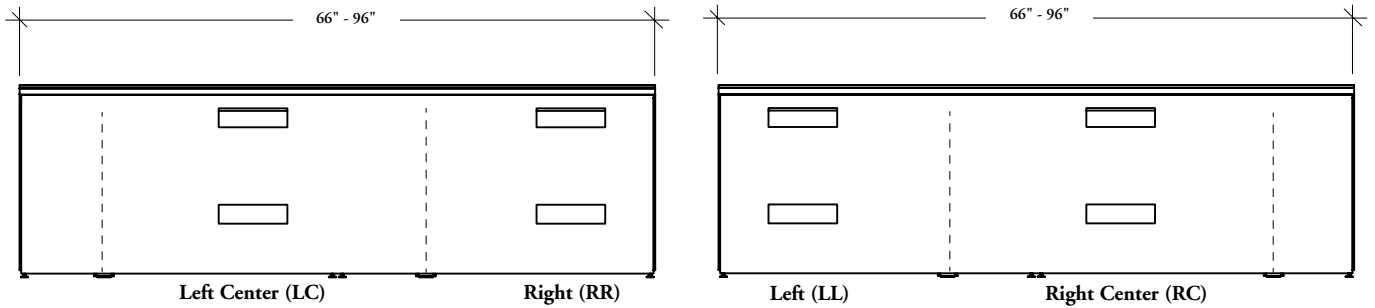
fascias 66" - 96"



planning with power communications fascias on freestanding panels (continued)

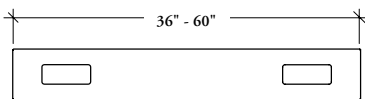


The following are recommended configurations for planning power/communication and support foot locations.

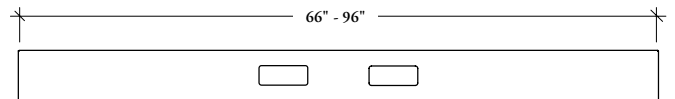


base feed fascias

Base Feed Fascias provide a cut out location for bringing power and communications wires into a workstation. The cut out locations vary depending on the width of the panel frame.



- When a 36" - 60" wide fascia is specified the Left and Right cut out will be justified to the outer sides of the fascia



- When a 66" - 96" wide fascia is specified the Left and Right cut out will be justified to the center of the frame

screens

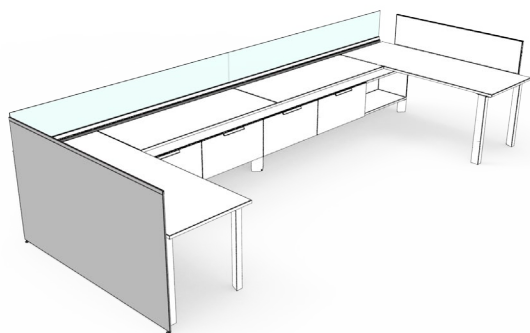
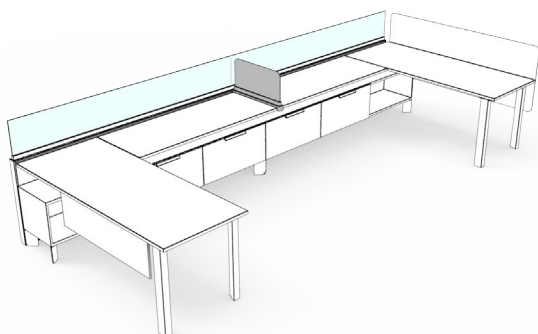
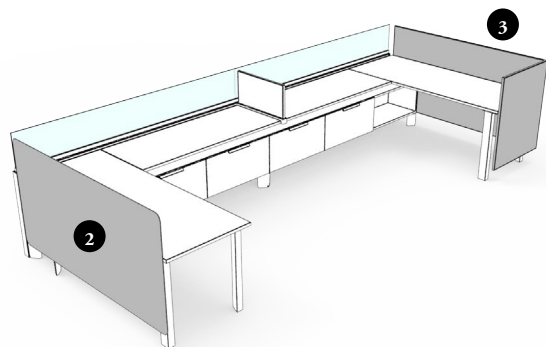
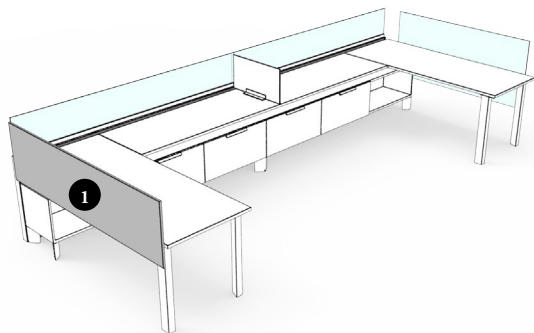
screens

UNDERSTANDING SCREENS66
DESK EDGE SCREEN BASICS68
PLANNING WITH DESK EDGE SCREENS71
DESKTOP LATERAL SCREEN BASICS87
DESK TOP SCREEN BASICS89
MODESTY SCREEN BASICS90
PLANNING WITH MODESTY SCREENS91
FLOOR SCREEN BASICS92
PLANNING WITH FLOOR SCREENS93
STORAGE SCREEN BASICS94
PLANNING WITH STORAGE SCREENS95
STORAGE SCREEN TYPICALS96
SOLID LATERAL SCREEN BASICS97
PANEL WALL ADD-ON SCREEN BASICS99
PLANNING WITH WALL PANEL ADD-ON SCREENS	100
GLASS BLADES FOR PANELS WITH INSET GLASS BASICS	102
PLANNING WITH GLASS BLADES FOR PANELS WITH INSET GLASS	103
INTEGRATING INTERPRET WITH DISTRICT98

understanding screens

District provides a variety of screens for space division in panel wall and freestanding applications. They provide visual and territorial privacy and a lighter aesthetic than a panel wall in areas where shielded wire management is not required.

66



desk edge screens

Desk Edge Screens are available in three styles:

- Solid and Glass
- Infinity, straight and curved
- Framed

- 1 Solid and Glass Desk Edge Screens
 - Mounts on- or off-module to the edge of single return workspaces
 - Provides privacy at 42”h
 - Available in glass at two modesty heights
- 2 Infinity Desk Edge Screens, Desk Edge Floor Screens and Side Desk Edge Screens
 - Attaches to workspaces to provide a lightweight, thin upholstered fabric screen
 - Provides a softer curvilinear aesthetic
 - Creates space division and local desktop privacy at various heights
- 3 Framed Fabric Desk Edge Screens, Desk Edge Floor Screens and Side Desk Edge Screens
 - Attaches to workspaces to provide an upholstered fabric screen
 - Is outlined by a frame
 - Creates space division and local desktop privacy at various heights above and below the workspace

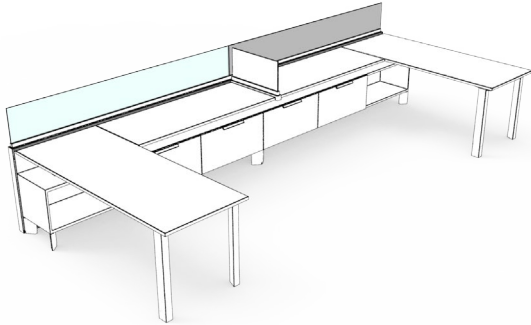
lateral screens

- Desktop Lateral screens attach to a workspace to provide later space division
- Available in a variety of finishes:
 - Glass
 - Writable glass
 - Laminate
 - Writable laminate
 - Fabric
 - Metal

floor screens

- Floor Screens provide complete privacy by mounting on- or off-module to the back of a workspace and extending to the floor

understanding screens (continued)



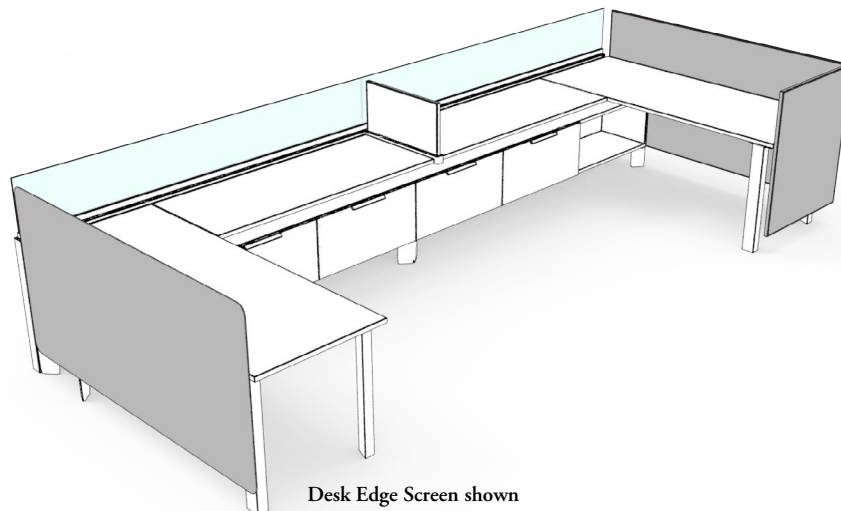
panel wall add-on screens

- Panel Wall Add-On Screens provide light, frameless privacy by mounting on- or off-module to a panel wall and offer an alternative to high panels with windows.

desk edge screen basics

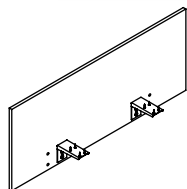
Desk Edge Screens mount to worksurfaces and are available in four styles; solid, glass, infinity and framed.

desk edge screens



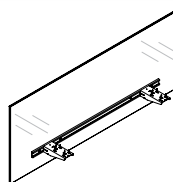
Desk Edge Screen shown

- Desk Edge Screens provide 42”h privacy
 - extends 13” above the worksurface for seated height privacy
 - extends 6” below the worksurface to conceal cables
 - provides a 1” clearance between the worksurface and the screen for cable clearance
- Heights: 13” (Overall height 19”) to provide a 42”h datum
- Widths: 23” to 96” in 1” increments



Desk Edge Screen (UNSD)

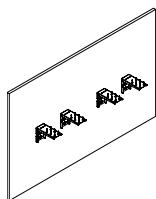
- Desk Edge Screens provide solid 42”h privacy
- Finishes:
 - Source Laminate
 - Seamless
 - Flintwood
 - Natural Veneer



Desk Edge Screen – Glass (UNSDG)

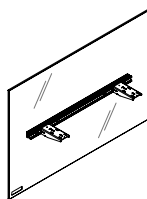
- Desk Edge Screens provide translucent 42”h privacy
- Finishes:
 - Standard Glass

full-height desk edge screens



Desk Edge Screen – Full-Height (UNSFDE)

- Similar to Desk Edge Screen (UNSD), but extends 15” below the worksurface.
 - extends 13” or 22” above the worksurface for seated height privacy
 - extends 15” below the worksurface to conceal cables
- Heights:
 - 13” (Overall height 30.4”) to provide a 42”h datum
 - 22” (Overall height 37”) to provide a 51”h datum
- Widths: 23” to 96” in 1” increments
- Finishes:
 - Source Laminate
 - Seamless
 - Flintwood
 - Natural Veneer

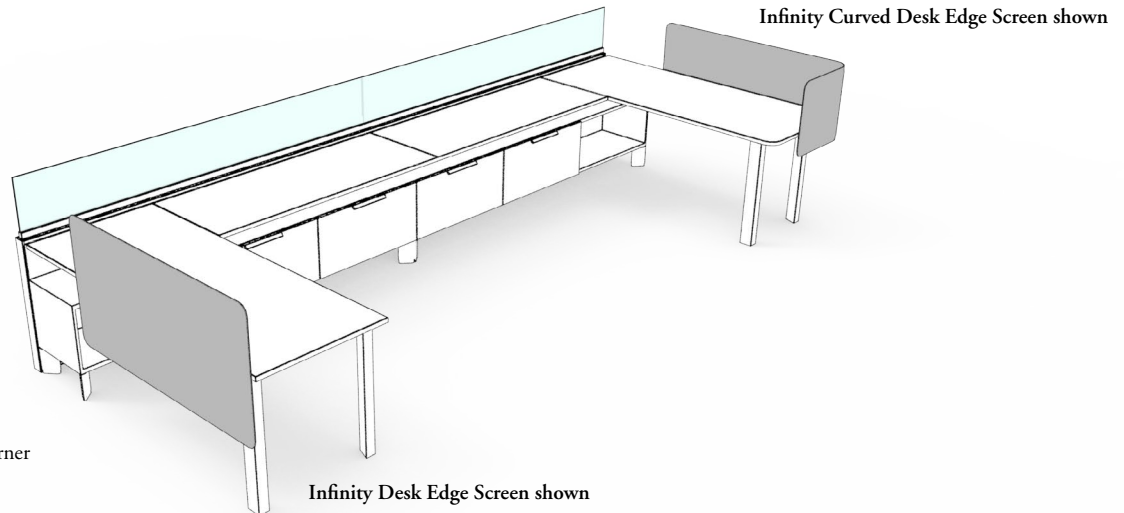


Desk Edge Screen – Full-Height Glass (UNSFDEG)

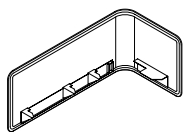
- Similar to Desk Edge Screen (UNSDG), however is a 10mm thick etched tempered glass finished in Standard Frost
 - extends 13” above the worksurface for seated height privacy
- Heights: 13” (Overall height 30.4”) to provide a 42”h datum
- Widths: 23” to 72” in 1” increments
- Finishes:
 - Standard Glass

desk edge screen basics (continued)

desk edge screens - infinity screens

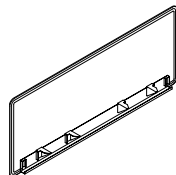


- Infinity Screen Features:
 - Radius corners
 - Casual and continuous corner applications
 - 1/2" thickness
 - Non tackable
- Heights:
 - 13" for a 42"h datum
 - 22" for a 51"h datum
- Available in select panel and upholstery fabric, please refer to the *Teknion Textiles Program Guide*



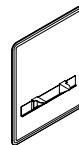
Infinity Curved Desk Edge Screen (GXCD)

- Depths: 20"
- Widths: 24" to 60" in 6" increments
- Modesty Base Heights:
 - 23" Partial Modesty
 - 15" Modesty
- Wire Manager is available



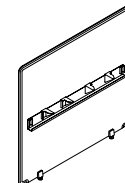
Infinity Desk Edge Screen (GXDD)

- Widths: 36" to 72" in 1" increments
- Modesty Base Heights:
 - 23" Partial Modesty
 - 15" Modesty
 - 6" Elevated
- Wire Manager is available



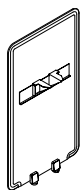
Infinity Side Desk Edge Screen (GXSD)

- Widths: 18" to 36" in 6" increments
- Modesty Base Heights:
 - 23" Partial Modesty
 - 15" Modesty
 - 6" Elevated



Infinity Desk Edge Floor Screen (GXFD)

- Widths: 36" to 72" in 1" increments
- Modesty Base Height: 1" Floor



Infinity Side Desk Edge Floor Screen (GXED)

- Depths: 24", 30", and 36"
- Modesty Base Height: 1" Floor

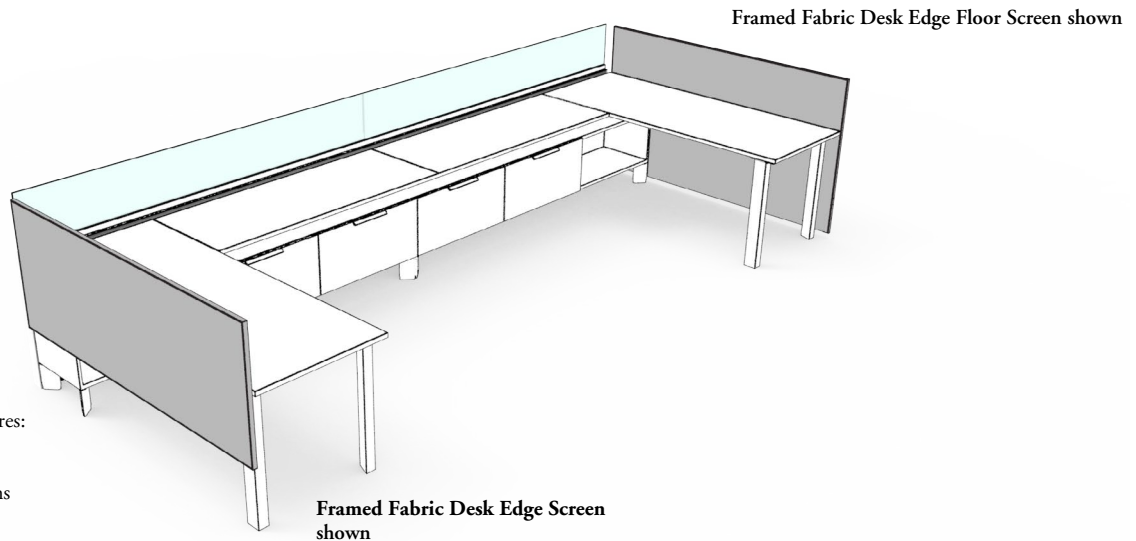


Infinity Screen Alignment Clip (GXCC)

- Used to clip Infinity screens together in side-by-side applications

desk edge screen basics (continued)

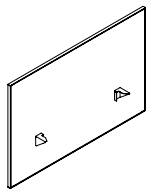
desk edge screens - framed fabric screens



Framed Fabric Desk Edge Floor Screen shown

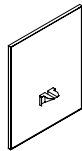
Framed Fabric Desk Edge Screen shown

- Framed Fabric Screen Features:
 - Square corners
 - 1" thickness
 - Tight fit corner applications
 - Tackable
- Heights:
 - 13" for a 42" datum
 - 22" for a 51" datum
- Available in select panel and upholstery fabric, please refer to the *Teknion Textiles Program Guide*



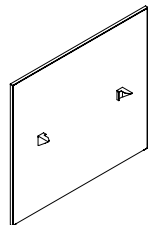
Framed Fabric Desk Edge Screen (GYDD)

- Widths: 36" to 72" in 1" increments
- Modesty Base Heights:
 - 23" Partial Modesty
 - 15" Modesty
 - 6" Elevated



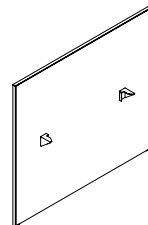
Framed Fabric Side Desk Edge Screen (GYSD)

- Depths: 18" to 36" in 6" increments
- Modesty Base Heights:
 - 23" Partial Modesty
 - 15" Modesty
 - 6" Elevated



Framed Fabric Desk Edge Floor Screen (GYFD)

- Widths: 36" to 72" in 1" increments
- Modesty Base Height: 1" Floor



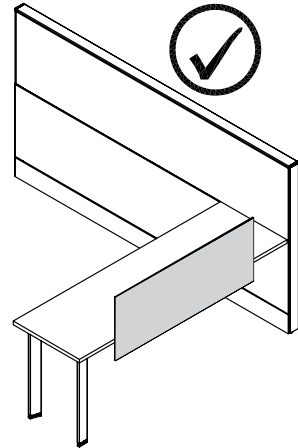
Framed Fabric Side Desk Edge Floor Screen (GYED)

- Depths: 18" to 36" in 6" increments
- Modesty Base Height: 1" Floor

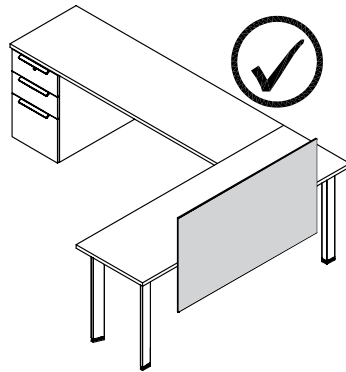
planning with desk edge screens

The following should be considered when planning with Desk Edge Screens.

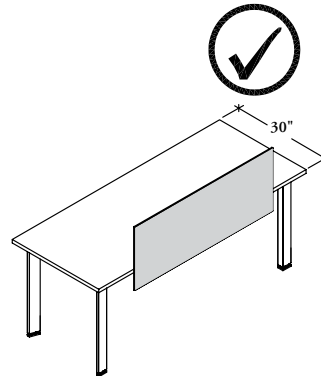
Desk Edge Screens have restrictions depending on whether they are being used in panel mounted or freestanding applications.



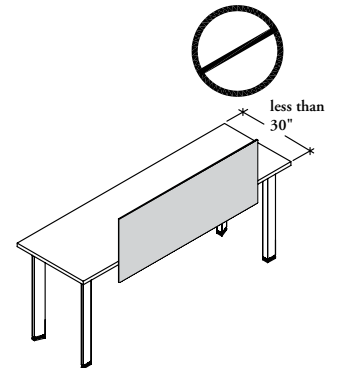
Panel Mounted Worksurface
Desk Edge Screens can be mounted to the worksurface with no restrictions.



Freestanding Workstations with a Worksurface Return
Desk Edge Screens can be mounted to the worksurface return with no restrictions, the return surface provides adequate support.



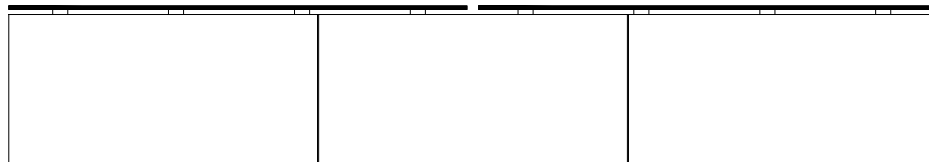
Freestanding Table without a Worksurface Return
Desk Edge Screens can be mounted if the worksurface is 30" deep or more. It cannot be mounted on a 24" deep worksurface.



Desk Edge Screens mount on or off-module to the back or return edge of a worksurface to provide full width or casual fit with controlled gaps.



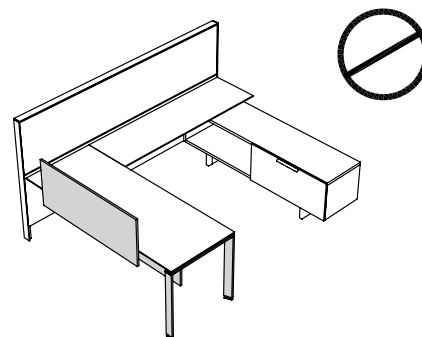
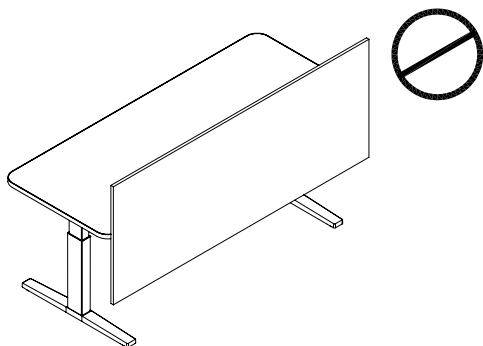
On-Module



Off-Module

- Desk Edge Screens can be used on height adjustable tables
- Full Height Solid Desk Edge Screens **cannot** be used due to interference when the table is lowered

- A Solid Desk Edge Screen **cannot** be used in combination with a Modesty Panel, the brackets will interfere



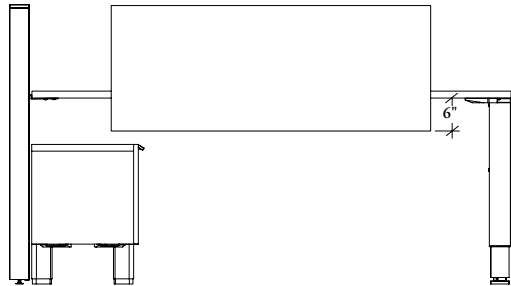
planning with desk edge screens (continued)

solid and glass desk edge screens

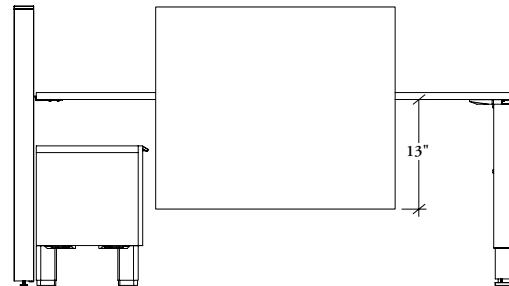
Desk Edge Screens provides visual privacy above desk height to a 42" datum with minimal modesty privacy below.

Desk Edge Screen – Full-Height (UNSFDE) provides visual privacy above and additional modesty privacy below.

72



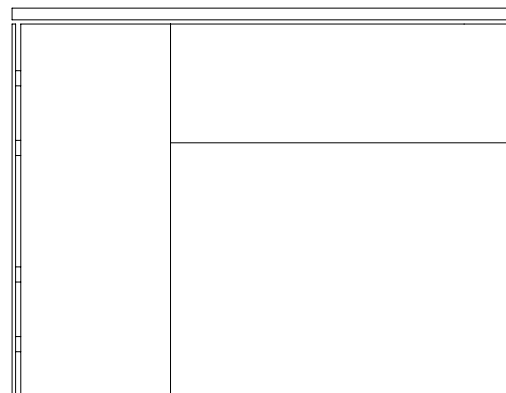
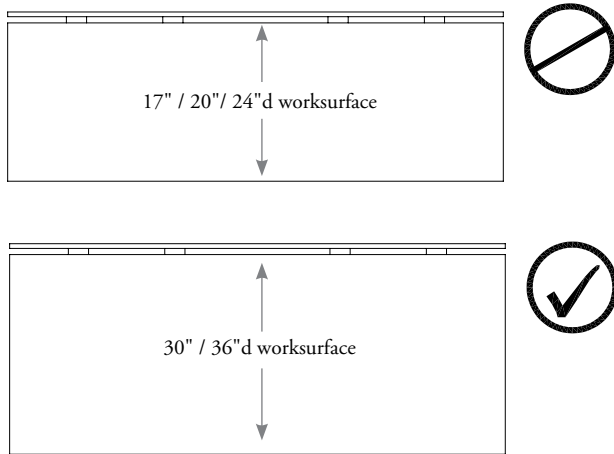
Desk Edge Screens extend 6" below the worksurface to provide minimal modesty privacy.



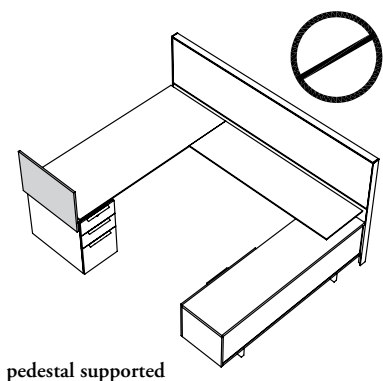
Desk Edge Screens – Full Height extend 13" below the worksurface to provide additional modesty privacy.

The Desk Edge Screen – Full Height (UNSFDE) can only be used on worksurfaces 30" and 36" deep when used in freestanding applications.

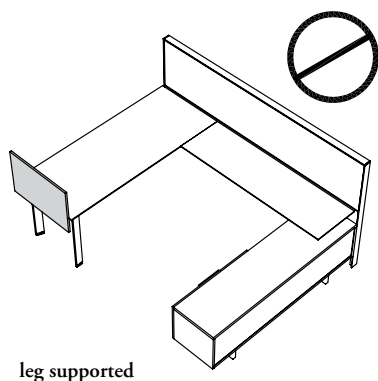
The Desk Edge Screen – Full Height (UNSFDE) can be used on all worksurface depths when worksurfaces are semi-suspended in panel wall applications.



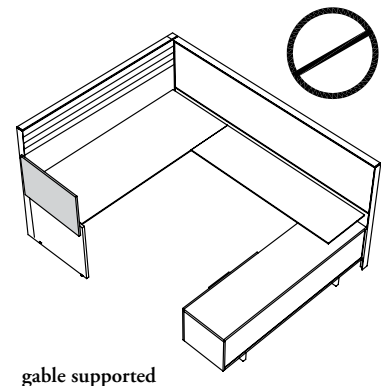
Solid and Glass Desk Edge Screens **cannot** be used on the side of a worksurface due to interference from storage and supports.



pedestal supported



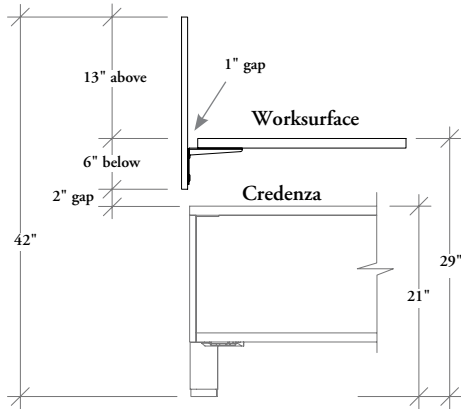
leg supported



gable supported

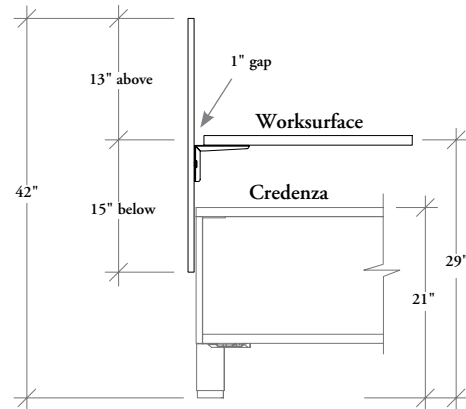
planning with desk edge screens (continued)

The Desk Edge Screen (UNSD/ UNSDEG) is mounted with a 1" cable management gap from the surface.



The desk edge screen extends 6" below the worksurface providing a 2" clearance above a credenza.

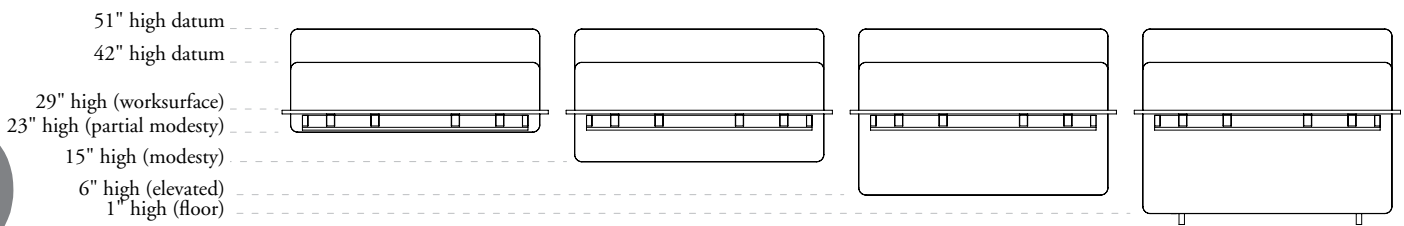
The Desk Edge Screen – Full-Height (UNSFDE/ UNSFDG) provides the 1" cable management gap.



The full height desk edge screen extends 15"(UNSFDE) or 17 2/5" (UNSF DG) below the worksurface provides no clearance over a low credenza.

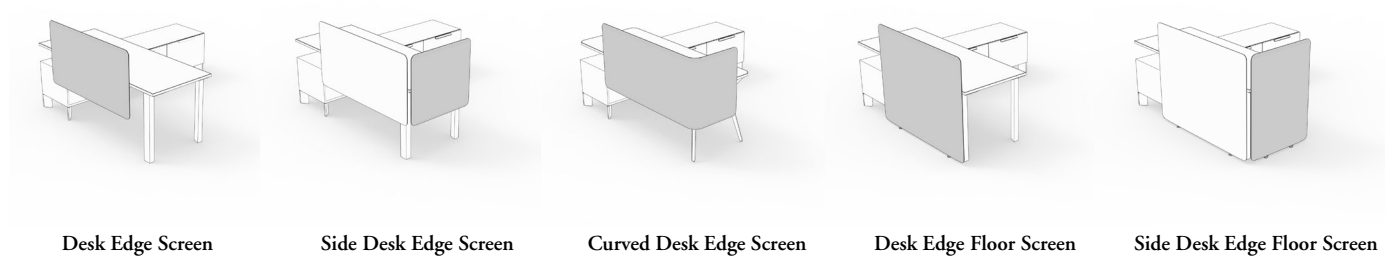
planning with desk edge screens (continued)

The following are all of the possible datum and modesty heights for Infinity and Framed Fabric Screens. Please refer to each individual screen for the list of specific heights available for that screen.



infinity screens

The following applications are available when planning with infinity screens.



Desk Edge Screen

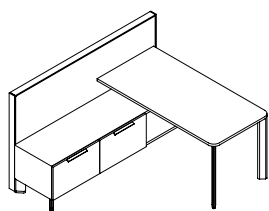
Side Desk Edge Screen

Curved Desk Edge Screen

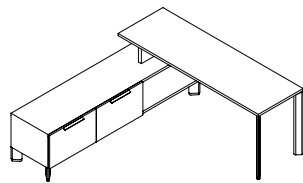
Desk Edge Floor Screen

Side Desk Edge Floor Screen

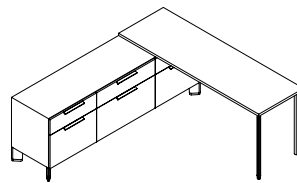
Infinity Desk Edge Screens can be attached to worksurfaces in the following applications:



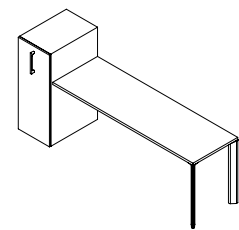
Worksurface attached to panel



Worksurface attached to low storage



Worksurface attached to high storage with width restrictions

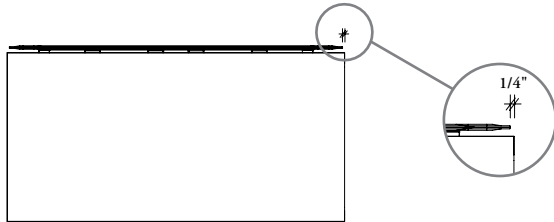


Worksurface attached to the side of storage

planning with desk edge screens (continued)

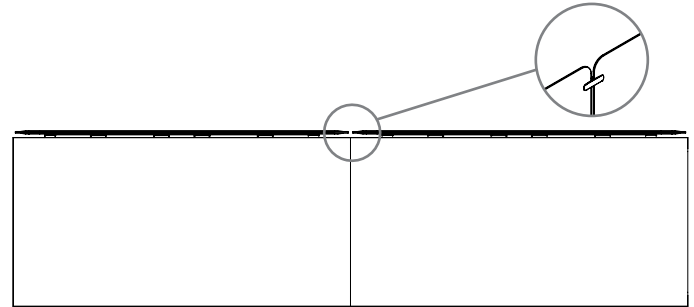
Infinity Screen widths are nominal.

- The actual width is 1/4" less on each side

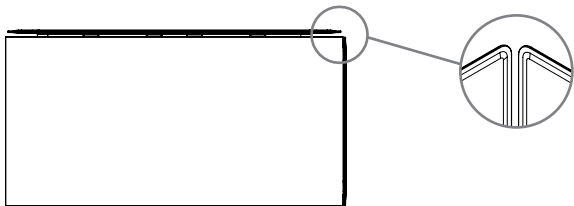


When two screens are planned side by side, there will be a 1/2" gap between the two screens.

- Screen Alignment Clips (GXCC) are used to align the two parallel screens

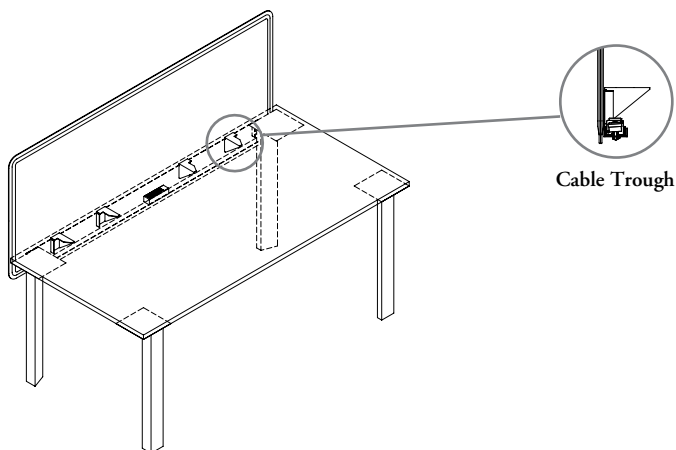


Infinity screens have no physical connection at corners. They are a casual fit.



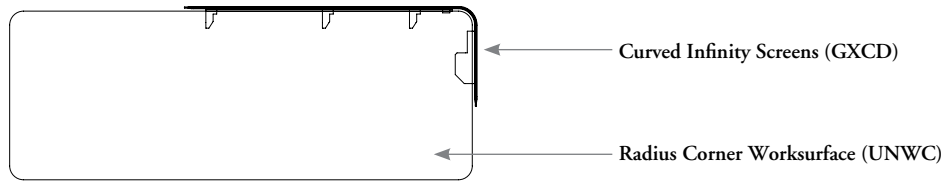
Infinity Desk Edge Screens offer an optional wire manager that accompanies the bracket connection.

- The gap will always be 1/2"
- A continuous trough allows for cable management
- The trough can accommodate a Power Rod (YEPD) or Power Bar (YEPS). Available from *Complements: Teknion's Ergonomics & Accessories Program*
- When planning with integrated height-adjustable tables, the wire manager should not be specified due to interference with storage below



planning with desk edge screens (continued)

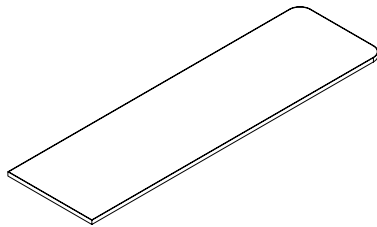
Curved Infinity Screens (GXCD) can be used with Rectangle with Radius Corners Worksurface (UNWC).



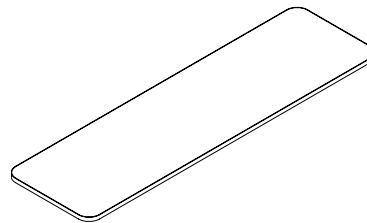
76

Two types of radius corner work surfaces are available:

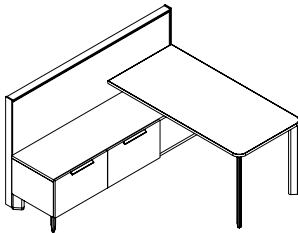
- rectangular with two radius corners
- rectangular with four radius corners



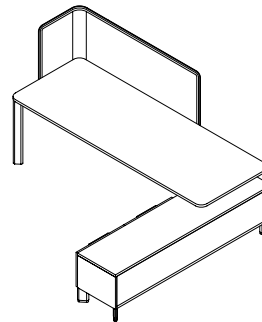
Rectangle with Radius Corners Worksurface (UNWC) - two radius



Rectangle with Radius Corners Worksurface (UNWC) - four radius



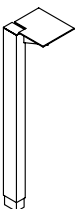
Two Radius Corners is suitable when the work surface needs to be terminated with square corners or when joined with a return work surface.



Four Radius Corners is suitable when a radius is desired on all corners of the surface and no other furniture is being planned against it.

For more information on Rectangle with Radius Corners Worksurfaces (UNWC), please see *Worksurfaces* section for more details.

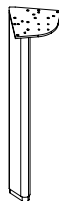
The following leg styles can be used with Rectangle with Radius Corners Worksurfaces:



Interpret Leg (WWSWN)



upStage Leg (HTWD)

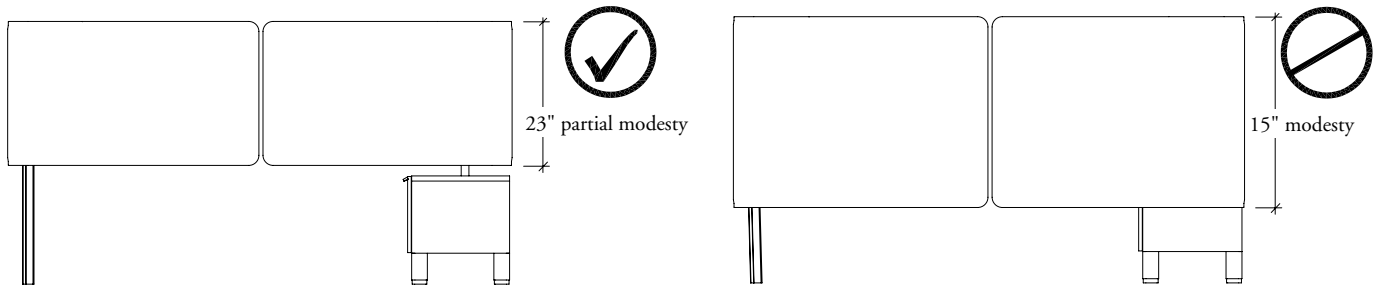


Leverage Leg (KLP1, KLP2, KLP3 and KLP4)

planning with desk edge screens (continued)

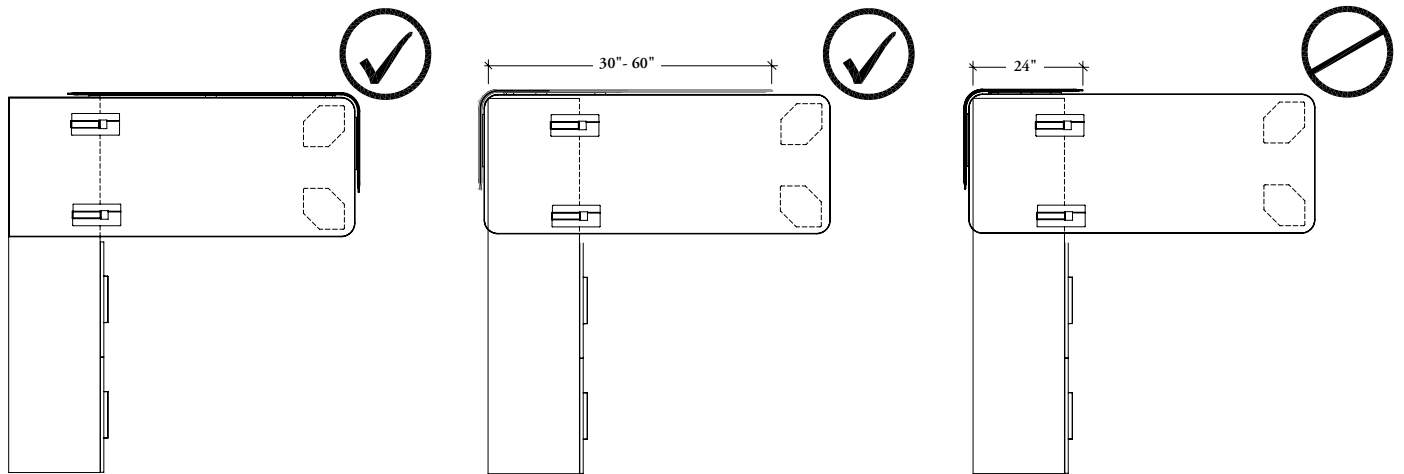
When planning a curved infinity screen with a District low credenza, the 23" h. modesty version must be used.

- The brackets on a 15"h. modesty will interfere with the credenza



When Infinity Curved Desk Edge Screens are specified with credenza, screen needs to stop short of the edge of the desk when used with two worksurface supports depending on storage depth. For example, if 16" deep Credenza is specified, the screen must stop 16" from the edge of worksurface.

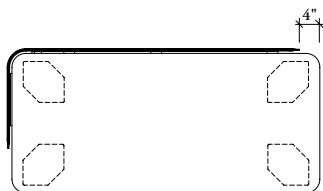
If Screen is justified to storage side with dual supports, Infinity Curved Desk Edge Screens with 30" to 60" width has to be specified.



This application works with 23" modesty only.

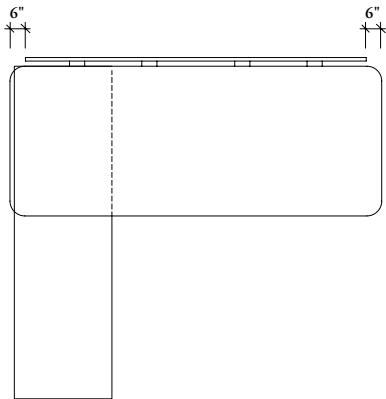
If Infinity Curved Desk Edge Screen is justified to storage side with single support, any of the 24" to 60" wide screens can be specified.

When planning with a curved screen that almost fits the full width of the worksurface and the open end is facing the outside, it must stop a minimum of 4" from the edge to avoid post leg interferences.

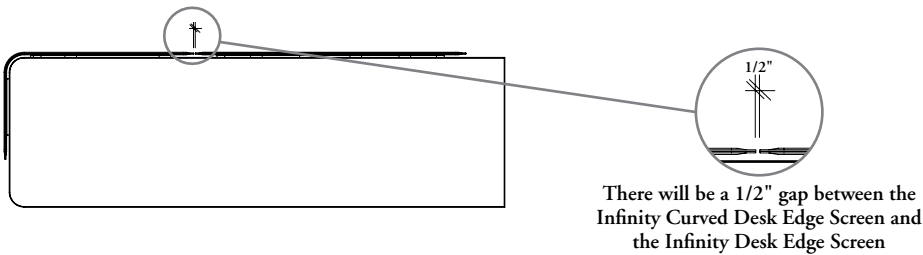


planning with desk edge screens (continued)

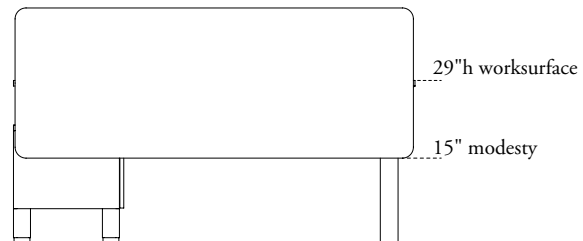
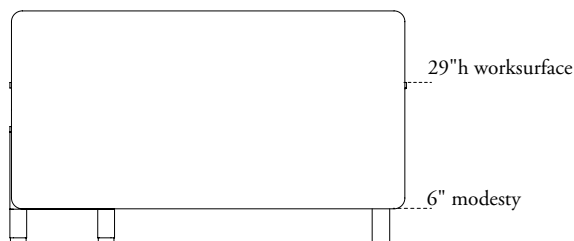
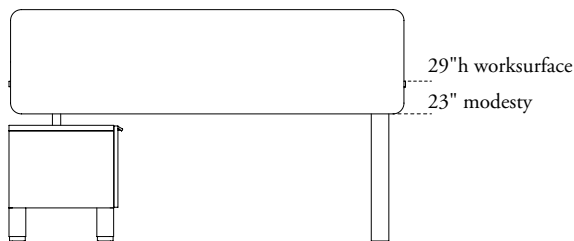
When planning with Infinity Desk Edge Screens with Rectangle with Radius Corners Worksurfaces, it is recommended to specify screens 6" less than the worksurface.



Infinity Curved Desk Edge Screen and Infinity Desk Edge Screen can be planned side-by-side

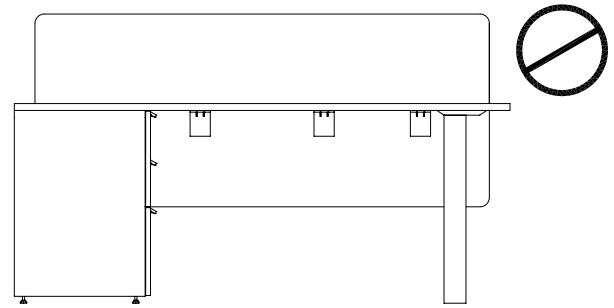
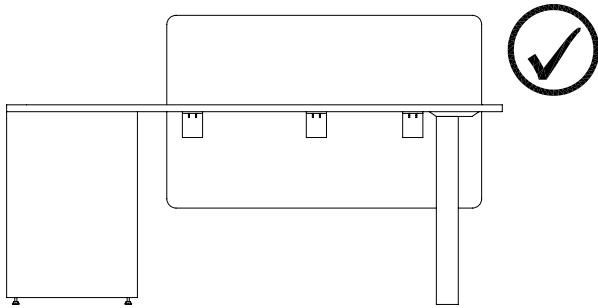


Infinity Desk Edge Screen with partial modesty (23") can be planned over low storage. With lower modesty heights (6" and 15"), the screen must sit outside of the low storage to avoid interferences.



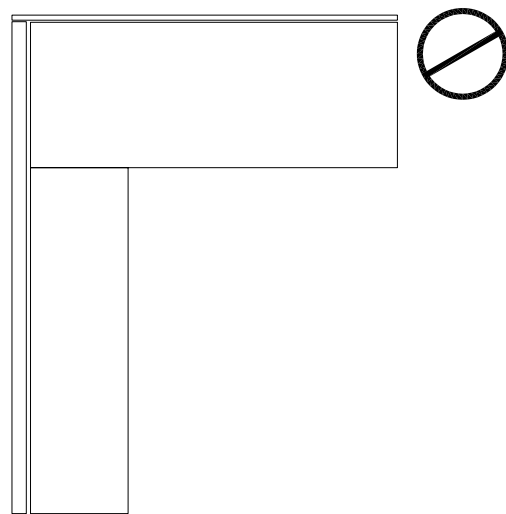
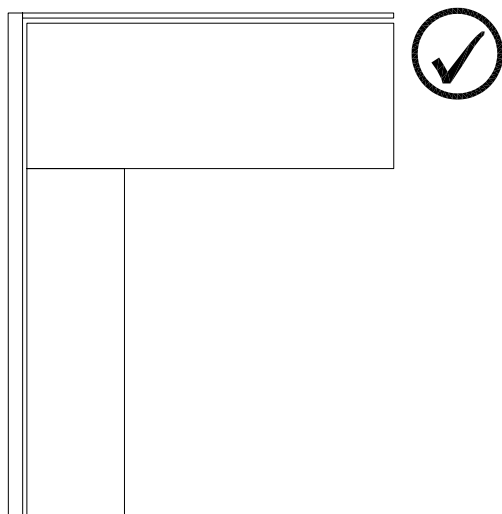
planning with desk edge screens (continued)

When planning with high storage, Infinity desk Edge Screen must stop short of storage as brackets will not be able to attach between storage and worksurface. The high storage should be specified to have open storage instead of drawers under the worksurface due to interference with the brackets.



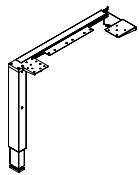
When planning an infinity desk edge screen perpendicular to a panel wall, the screen should extend to the panel wall to hide the 1" wire gap on the worksurface.

- It is not recommended that the screen extend past the end of the panel

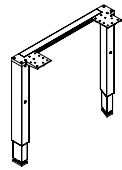


planning with desk edge screens (continued)

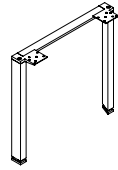
The following outlines the gables and legs that can be used with an infinity side desk edge screen.



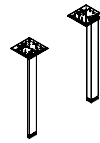
End Gable –
Height-Adjustable
(UNGEAN)



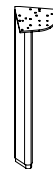
Semi-Suspended Gable
– Height-Adjustable
(UNGSAN)



Semi-Suspended
Gable (UNGSN)

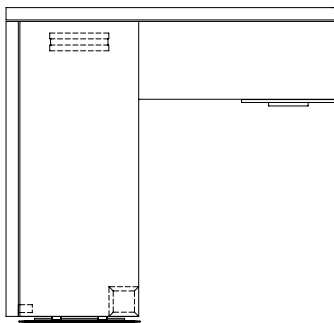


Leg – Pair
(UNLGP)

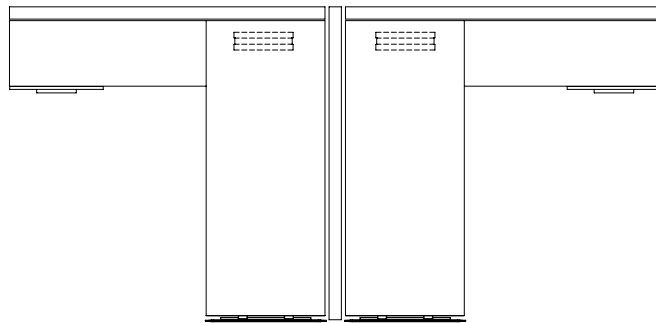


Leverage Leg
(KLP)

Infinity Side Desk Edge Screens can be planned in panel or to create corridor privacy on the end of return desks



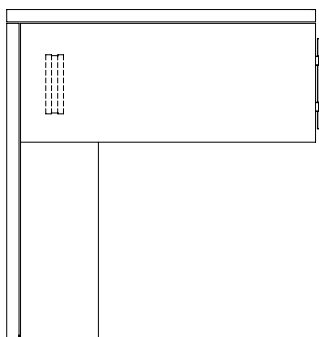
The screen provides additional privacy when used on the end of a workspace in a panel environment.



The screen provides corridor privacy in a non panel environment.

When planning with a low credenza, an infinity side desk edge screen can be used on the storage side.

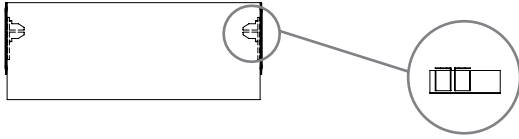
- The screen must attach to the surface so that it sits outside of the credenza



Low
Credenza

planning with desk edge screens (continued)

18" deep Infinity Side Desk Edge Screens (GXSD) and Infinity Side Desk Edge Floor Screens (GXED) have re-positionable brackets, allowing these screens to be planned on either side of the worksurface.



Infinity Side Desk Edge Screens can be planned at both partial and full depth.

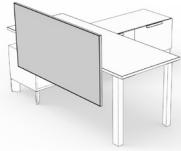
All screens can be planned with 24"-36" d worksurfaces. Due to leg interference issues, this screen **cannot** be attached to 18" deep worksurfaces. An 18" side desk edge screen can be placed on a 23⁷/₂₄" d worksurface as a partial fit.

<p>18" deep worksurface with 18" deep Infinity Side Desk Edge Screen (GXSD)</p>	<p>24" deep worksurface with 24" deep Infinity Side Desk Edge Screen (GXSD)</p>	<p>24" deep worksurface with 18" deep Infinity Side Desk Edge Screen (GXSD)</p>	<p>30" deep worksurface with 24" deep Infinity Side Desk Edge Screen (GXSD)</p>

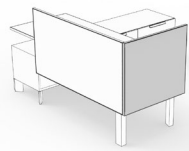
planning with desk edge screens (continued)

framed fabric screens

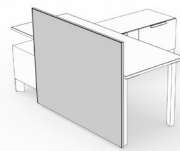
The following applications are available when planning with framed fabric screens.



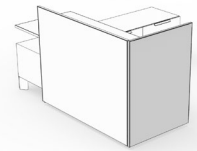
Desk Edge Screen



Side Desk Edge Screen

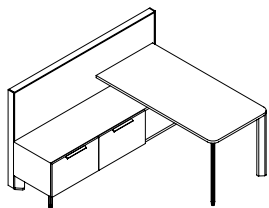


Desk Edge Floor Screen

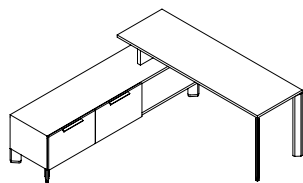


Side Desk Edge Floor Screen

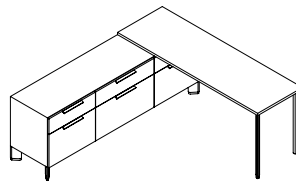
Framed Fabric Desk Edge Screens can be attached to worksurfaces in the following applications:



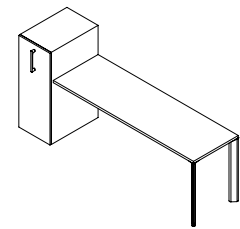
Worksurface attached to panel



Worksurface attached to low storage



Worksurface attached to high storage with width restrictions



Worksurface attached to side of storage

Framed Fabric Screen widths are actual and will be same width as worksurface.

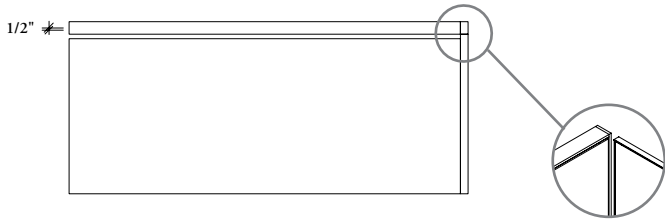


Framed Desk Edge Screens have a common bracket placement distance of 10-3/8" inset from the edge.

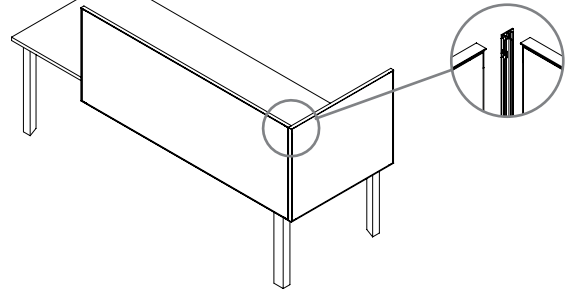


planning with desk edge screens (continued)

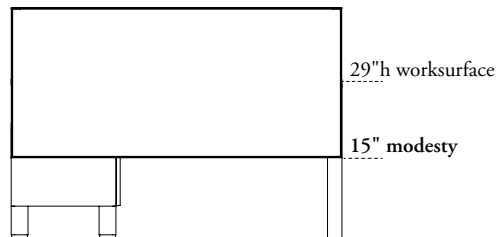
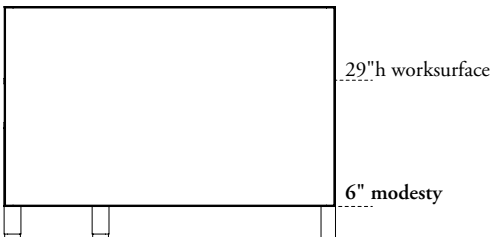
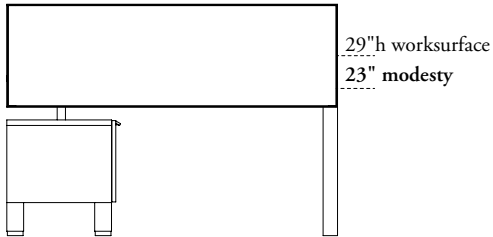
Framed Fabric Screen must be planned with a 1/2" wire gap in order to ensure front edge of the Framed Fabric Side Desk Edge Screen will be aligned to the front edge of the desk.



Corner detail with Framed Fabric Screens are closed and have physical connection between the Desk Edge Screen and Side Desk Edge Screen via extrusion trim.

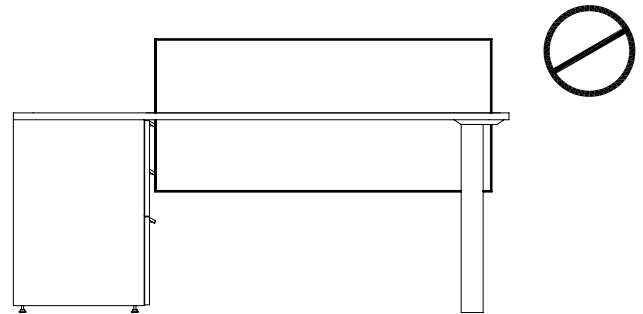
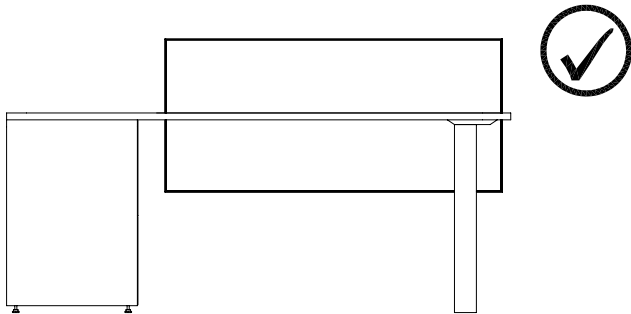


Framed Fabric Desk Edge Screen with partial modesty (23") can be planned over low storage. With lower modesty heights (6" and 15"), the screen must sit proud of the low storage to avoid interferences.



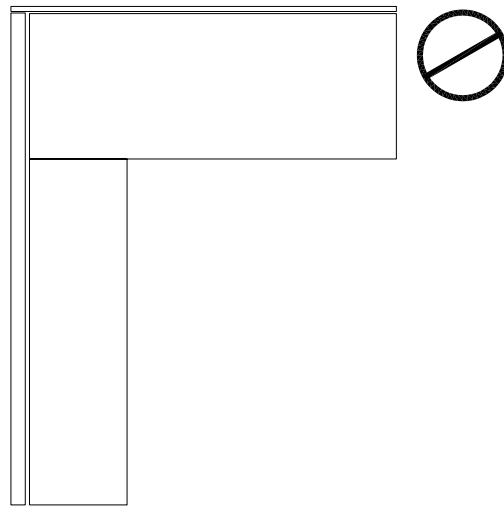
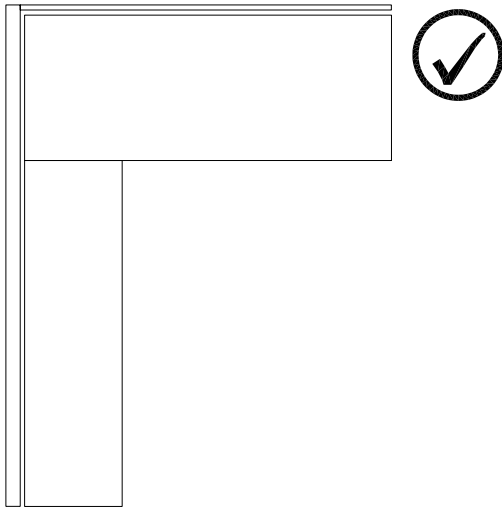
planning with desk edge screens (continued)

When planning with high storage, Framed Fabric Desk Edge Screen must stop short of storage as brackets will not be able to attach between storage and worksurface. The high storage should be specified to have open storage instead of drawers under the worksurface due to interference with the brackets.



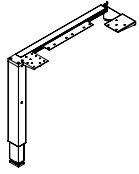
When planning a framed fabric desk edge screen perpendicular to a panel wall, the screen should extend to the panel wall to hide the 1" wire gap on the worksurface.

- It is not recommended that the screen extend past the end of the panel

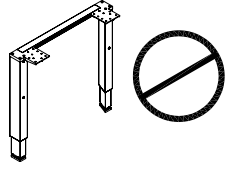


planning with desk edge screens (continued)

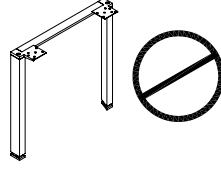
The following outlines the gables and legs that can be used with a framed fabric side desk edge screen.



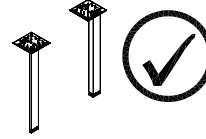
End Gable – Height-Adjustable (UNGEAN)



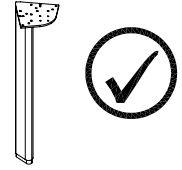
Semi-Suspended Gable – Height-Adjustable (UNGSAN)



Semi-Suspended Gable (UNGSN)

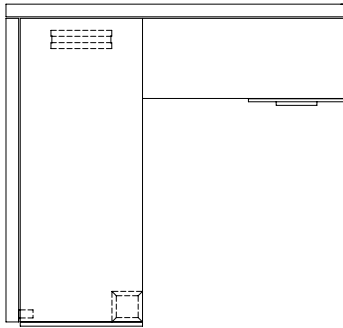


Leg – Pair (UNLGPN)

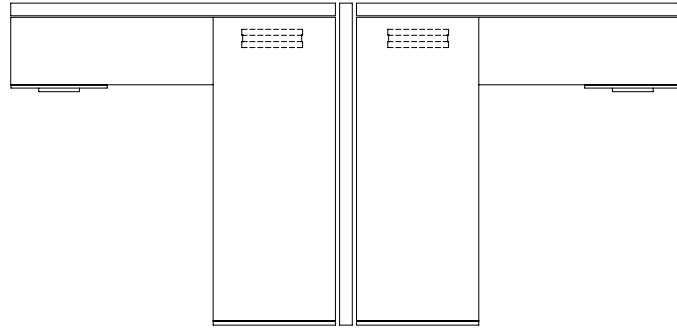


Leverage Leg (KLP)

Framed Fabric Side Desk Edge Screens can be planned in panel or to create corridor privacy on the end of return desks



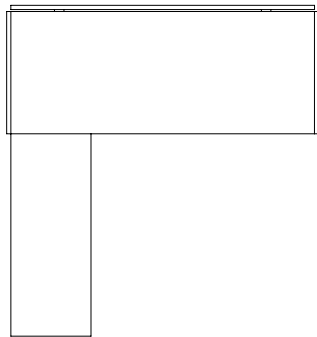
The screen provides additional privacy when used on the end of a worksurface in a panel environment.



The screen provides corridor privacy in a non panel environment.

When planning with a low credenza, a framed fabric side desk edge screen can be used on the storage side.

- The screen must attach to the surface so that it sits outside of the credenza



Low Credenza

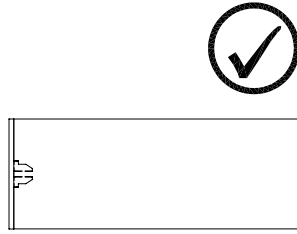
planning with desk edge screens (continued)

Framed Fabric Side Desk Edge Screens can be planned at both partial and full depth.

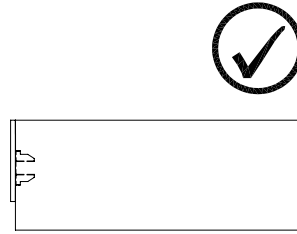
All screens can be planned with 24"-36"d worksurfaces. Due to leg interference issues, this screen **cannot** be attached to 18" deep worksurfaces. An 18" side desk edge screen can be placed on a 23⁷/₈"d worksurface as a partial fit.



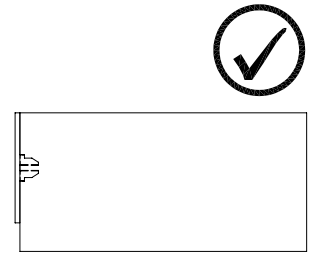
18" deep work surface with
18" deep Framed Fabric Side Desk
Edge Screen (GYSD)



24" deep work surface with
24" deep Framed Fabric Side Desk
Edge Screen (GYSD)



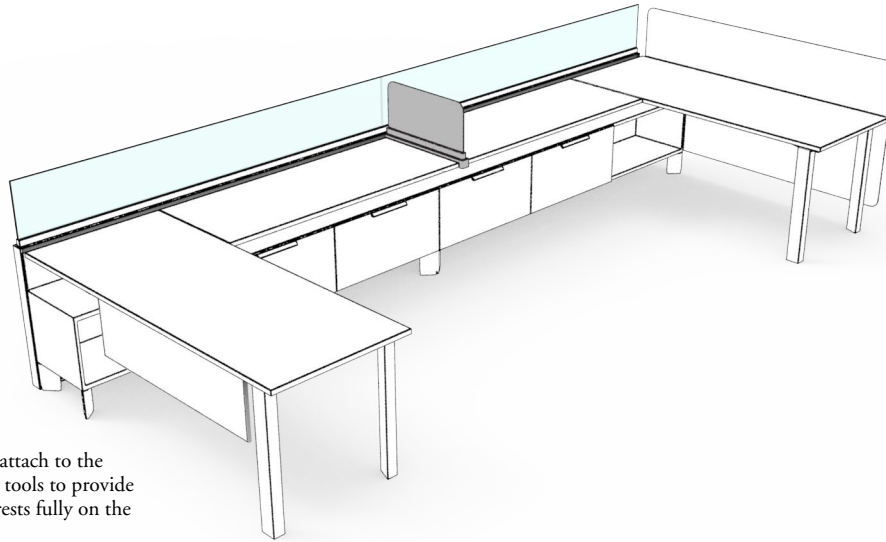
24" deep work surface with
18" deep Framed Fabric Side Desk
Edge Screen (GYSD)



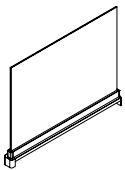
30" deep work surface with
24" deep Framed Fabric Side Desk
Edge Screen (GYSD)

desktop lateral screen basics

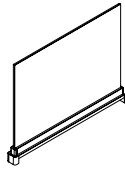
Lateral screens attach to the top of a worksurface to provide lateral privacy and space division at multiple heights.



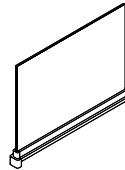
- Desktop Lateral Screens attach to the worksurface without any tools to provide lateral space division. It rests fully on the worksurface
- This screen has 1" gap for wire management
- Heights:
 - 13" for a 42"h datum
 - 22" for a 51"h datum
- Depths: 24", 30" and 36"



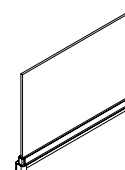
- 6mm Glass Lateral Screen (GNGD)**
- A 6 mm glass screen with a straight profile
 - Finish:
 - Clear
 - Frost
 - Satin



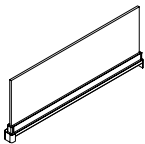
- 10mm Glass Lateral Screen (GNTD)**
- A 10 mm glass screen with a straight profile
 - Finish:
 - Clear
 - Frost
 - Satin



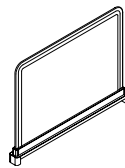
- Writable Glass Lateral Screen (GNVD)**
- A writable glass screen with a straight profile
 - Finish:
 - Specialty Glass Laminate
 - Specialty Glass Grade 7



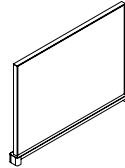
- Solid Lateral Screen (GNSD)**
- A solid screen with a straight profile
 - Finish:
 - Source Laminate
 - Natural Veneer
 - Flintwood



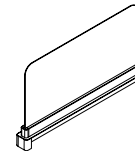
- Writable Laminate Lateral Screen (GNLD)**
- A writable laminate screen with a square profile
 - Finish:
 - Specialty Writeable Laminate



- Infinity Fabric Lateral Screen (GNXD)**
- A fabric screen with a curved profile
 - Finish:
 - Select Panel and Upholstery fabrics are available - please refer to the *Teknion Textiles Program Guide*



- Framed Fabric Lateral Screen (GNYD)**
- A framed fabric screen with a square profile
 - Finish:
 - Select Panel and Upholstery fabrics are available - please refer to the *Teknion Textiles Program Guide*

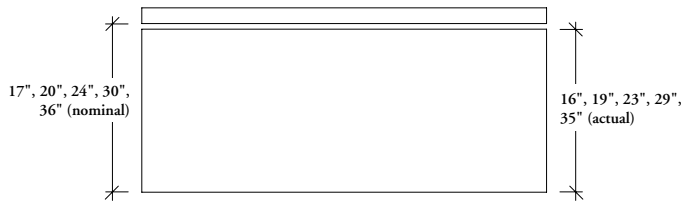


- Metal Lateral Screen (GNMD)**
- A metal screen with a curved profile
 - Heights:
 - 13" for a 42"h datum
 - Metal Finish:
 - Foundation
 - Mica
 - Accent

planning with desktop lateral screens

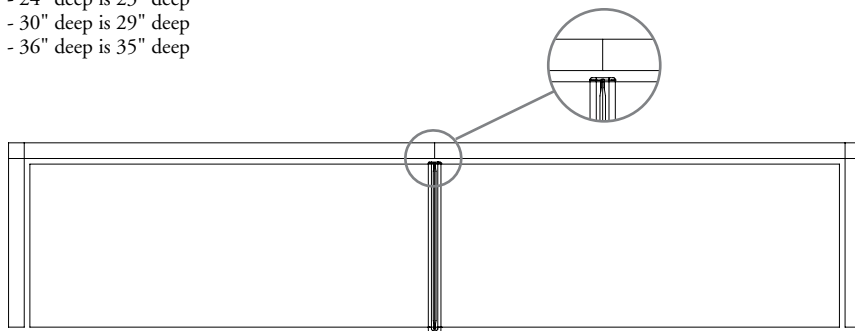
The following should be considered when planning with desktop lateral screens.

It is important to understand the depth of worksurfaces with panels when specifying lateral screens.

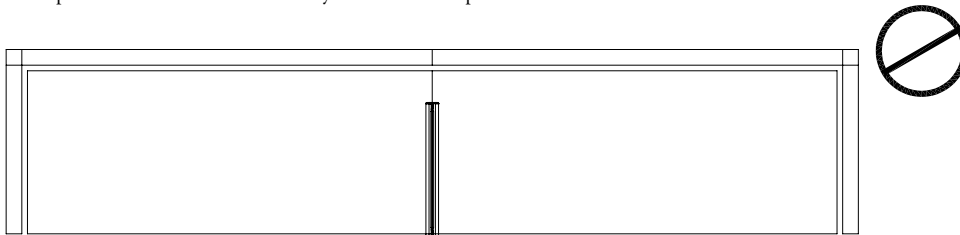


- All worksurfaces have nominal depths (the actual depth is 1" less than the nominal depth) to allow for a gap at the back
- The gap is not optional, it is the standard configuration

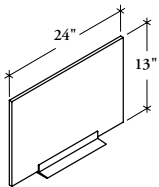
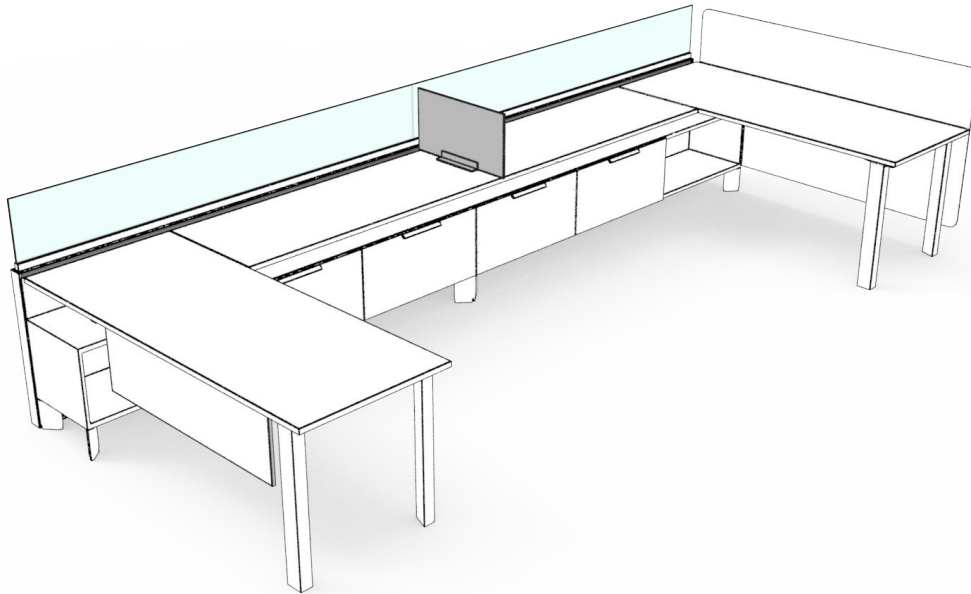
- Lateral screens have nominal depths and can be specified to fit Rectangular Worksurfaces (UNWR)
- Actual depths of lateral screens are:
 - 24" deep is 23" deep
 - 30" deep is 29" deep
 - 36" deep is 35" deep



- The depth of Lateral Screens must always be the same depth as the worksurface



The following outlines the features of the Desk Top Casual Screen

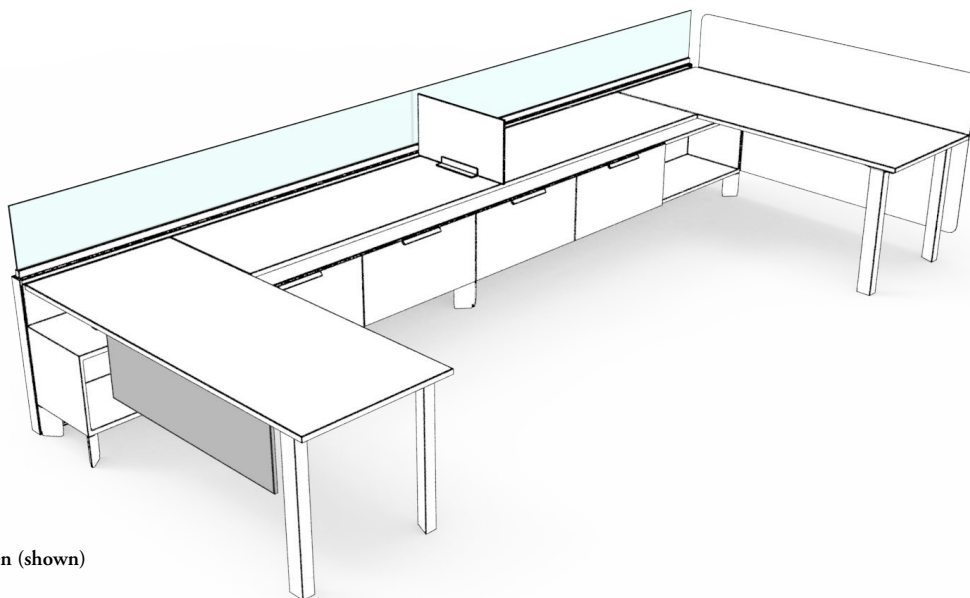


Desk Top Casual Screen (UNSDT)

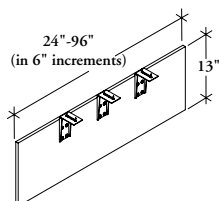
- Is a freestanding screen which sits on top of the worksurface to provide privacy
 - extends 13" above the worksurface for seated height privacy
- Height: 13"
- Widths: 24"
- Screen Finishes:
 - Source Laminate
 - Seamless
 - Flintwood
 - Natural Veneer
- Base Finishes:
 - Foundation
 - Mica
 - Clear Anodized

modesty screen basics

The following outlines the features of the Modesty Screen.



Modesty Screen (shown)

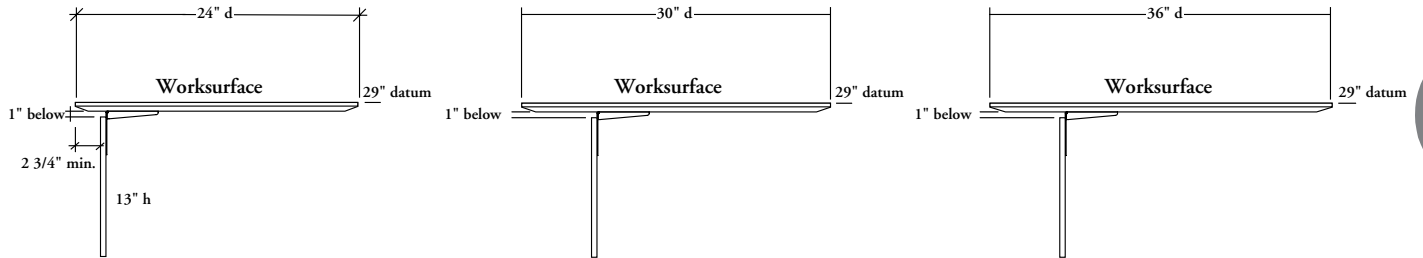


Modesty Screen (UNSM)

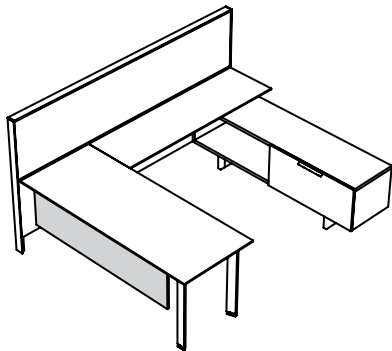
- Mounts 1" below worksurfaces to provide visual privacy
- Is an off-module casual fit
- Actual width is 1" less than the nominal width
- Available in Source Laminate, Fascia Laminate, Seamless Color, Standard Flintwood and Natural Veneer finishes
- The Modesty Screen is 14" above finished floor

planning with modesty screens

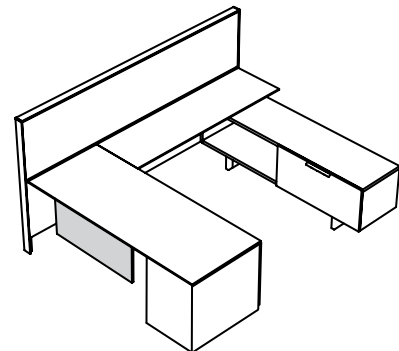
The following should be considered when planning with Modesty Screens.



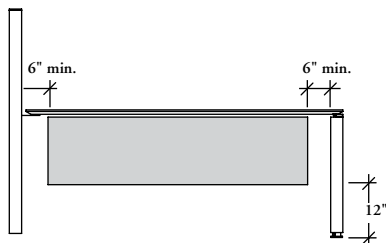
- The suggested minimum recess for the Modesty Screen is 2 3/4" from the back edge of the workspace
- The recommended distances are:
 24" workspace 2 3/4" inset
 30" workspace 6" inset
 36" workspace 12" inset



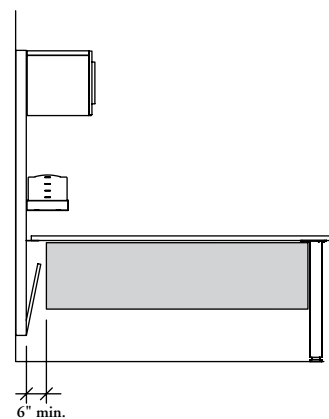
The Modesty Screen should be centered in the open space between supports.



The Modesty Screen can be mounted on workspaces with various types of desk support options including storage – Attention must be given to reinforcement channel location (please see *Supports* section for details).



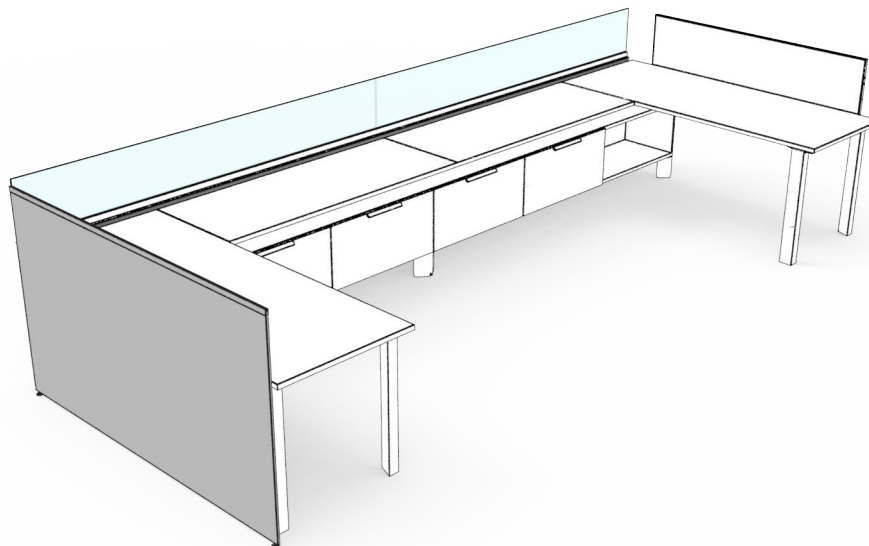
A casual fit is desired, it is recommended that the modesty screen be specified 6" less than the workspace width on both sides in the area of application.



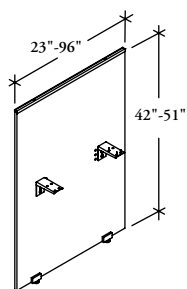
- When mounting a workspace to W/R/S with a pass-through door, the modesty screen must be mounted a minimum of 6" from the door fascia to allow the door to open properly.

floor screen basics

The following outlines the features of the Floor Screen.



Floor Screen (shown)



Floor Screen (UNSF)

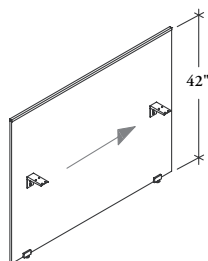
- A 5/8" thick, 42" or 51" high visual screen that provides privacy to floor level
- Is mounted to a worksurface on- or off-module
- Available in widths from 23" to 96" in 1" increments for 42" high and 23" to 48" widths available in 1" increments for 51" high
- Provides full width or casual fit with controlled gaps
- Does **not** provide support to the worksurface
- Can only be attached to worksurfaces that are permanently affixed to at least one piece of storage, a Panel Wall, or to a freestanding desk with a return
- Aluminum top rail can accommodate the Pencil Tray (PAX94), Media Organizer (PAX96), Vertical Organizers (PAX99, PAX100) and Workstation Signage (ACWS). Available from Complements: *Teknion's Ergonomics & Accessories Program*
- Can be used with a Vertical Cable Manager (UNVC) which manages cables between the floors and the underside of the worksurface. Must be specified separately. (see *Electrics* section)



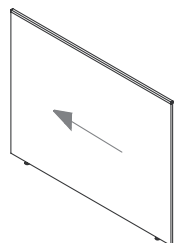
Floor Screen Extended Leveling Kit (UNSFXL)

- Available for height adjustment and leveling on uneven floors

grain direction

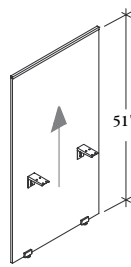


User's Perspective



Visitor's Perspective

- For 42" high floor screens the grain runs horizontal
- For Cathedral Flintwood and Natural Veneers the grain direction is from left to right from the user's perspective. From the visitor's perspective, outside the workstation, the grain direction is right to left



User's Perspective



Visitor's Perspective

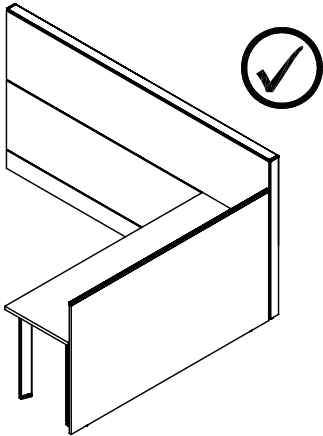
- For 51" high floor screens the grain runs vertical
- For Cathedral Flintwood and Natural Veneers the grain direction is from bottom to top from both the user's and visitor's perspective, inside and outside the workstation

planning with floor screens

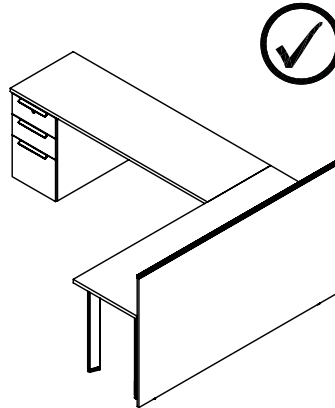
The following should be considered when planning with Floor Screens.

workspace support

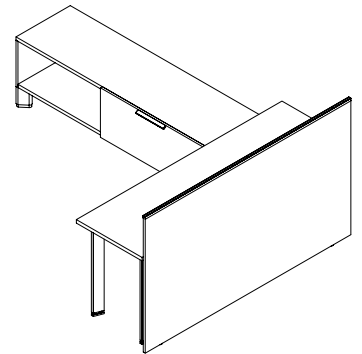
Floor screens can only be used with the following applications:



Worksurfaces that are fixed to a panel wall



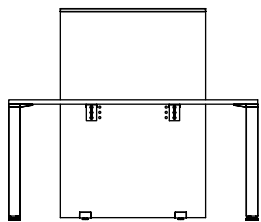
When permanently attached



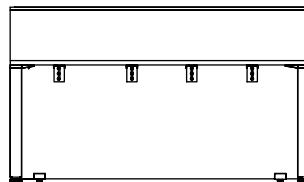
In freestanding applications with a workspace return

screen widths

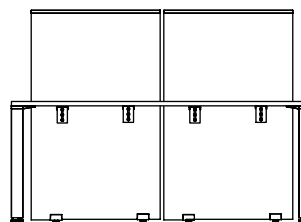
Screens can be installed at different widths depending on the intended result and sizes available.



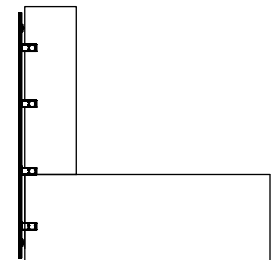
Casual width for partial privacy



Full width for total privacy



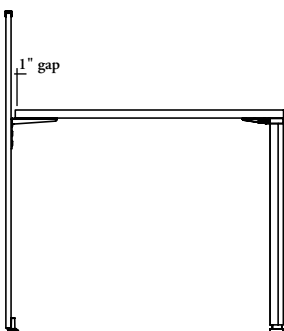
Side-by-side to achieve a specific width and height



Single or multiple screens can span across two workspaces

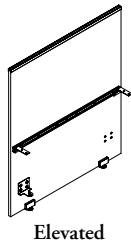
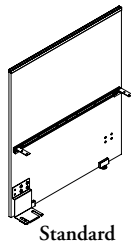
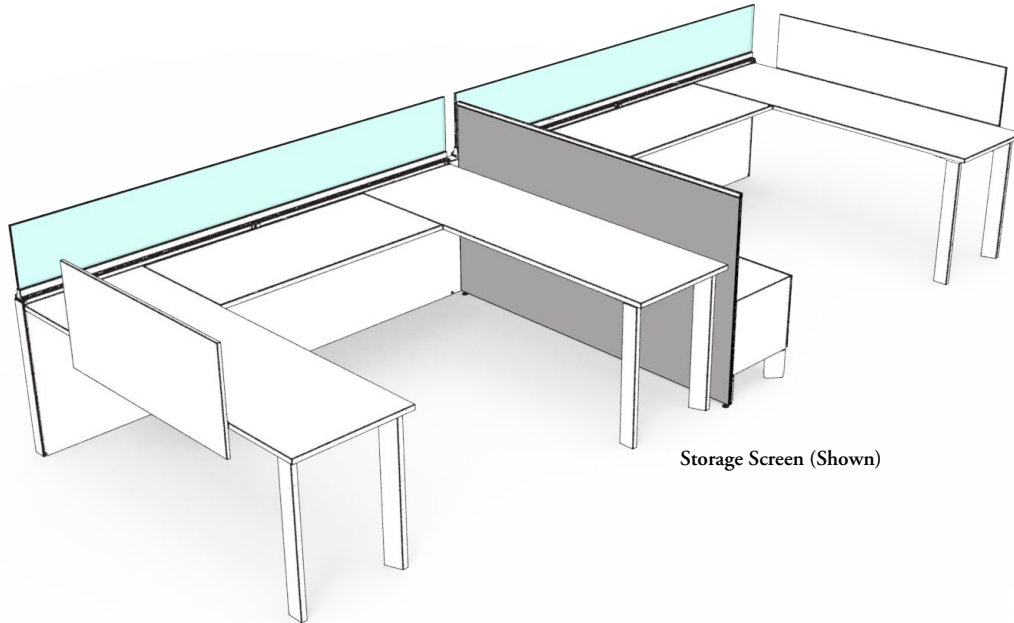
gapping

The Floor Screen is mounted with a 1" gap for cable management.



storage screen basics

The following outlines the features of the Storage Screen.



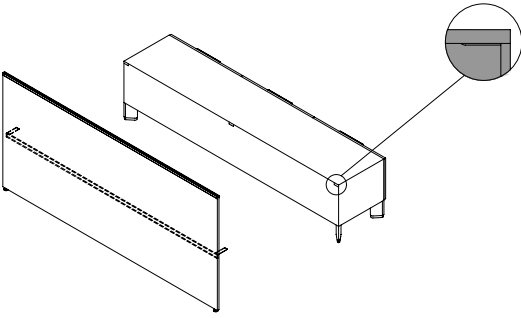
Storage Screen (UNSSS)

- Mounts to 21" high and 28" high storage credenzas to provide casual space division
- Available 42" - 51" high and in widths from 24" & 30" to 96" with 1" increments
- The screen mounts into the slots on the back of credenzas or storage
- Has a leveling range of 0.5 down and the brackets allow it to remain attached to storage
- On storage less than 60" wide, the screen should be specified to span the entire width of the cabinet and on storage 60" wide and over, the screen can mount off-module and be specified shorter

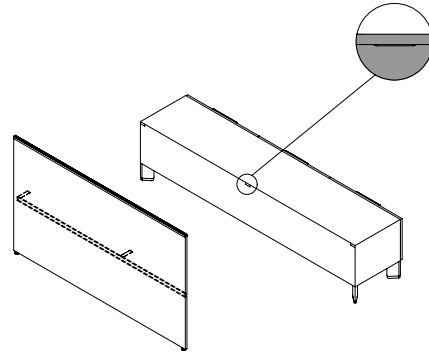
planning with storage screens

The following should be considered when planning with Storage Screens.

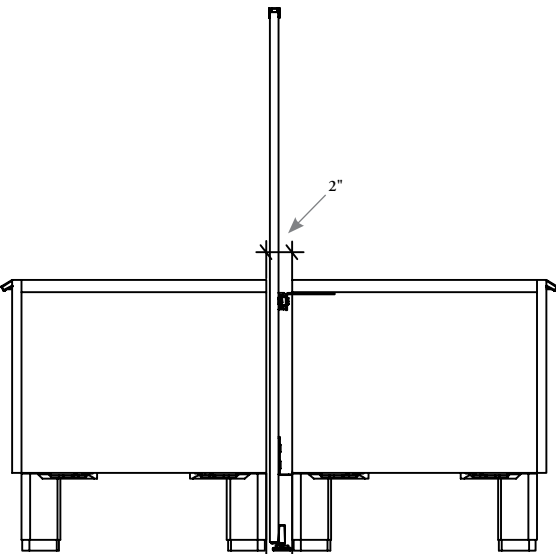
The Storage Screen mounts into the slots on the back of low and high credenzas and storage units.



- Mounts on credenzas less than 60" wide, the screen must span the entire width of the storage



- Mounts on storage 60" wide and over, an additional slot is provided in the center of the credenza for off-module mounting
- To mount off-module, the screen must be at least half the width of the storage and must be flush to one end of the cabinet to align with slot location. The screen can **not** extend past the end of the storage

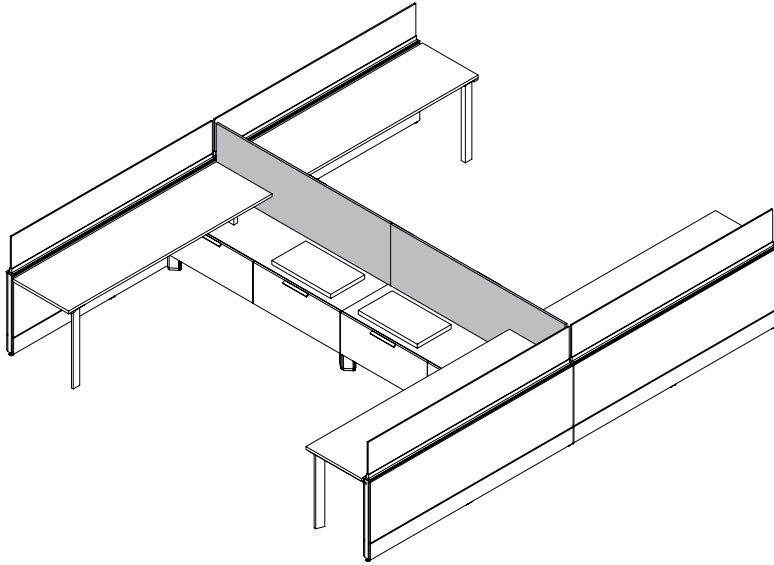


- When a screen is used between two credenzas the screen will mount only to the back of one credenza
- A 2" gap is required between credenzas for mounting

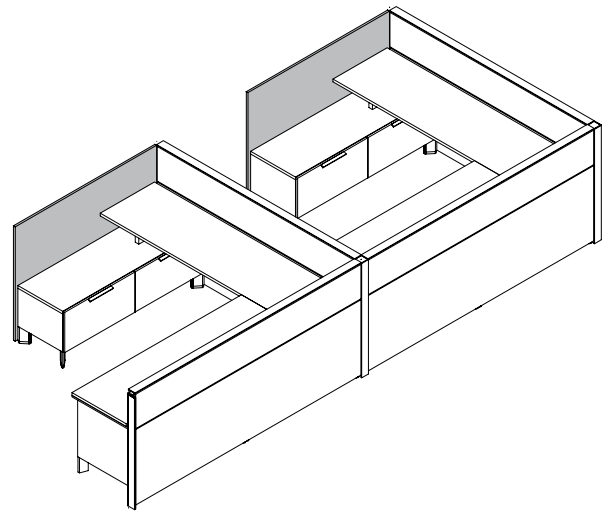
storage screen typicals

The following typicals demonstrate planning options for the storage screen.

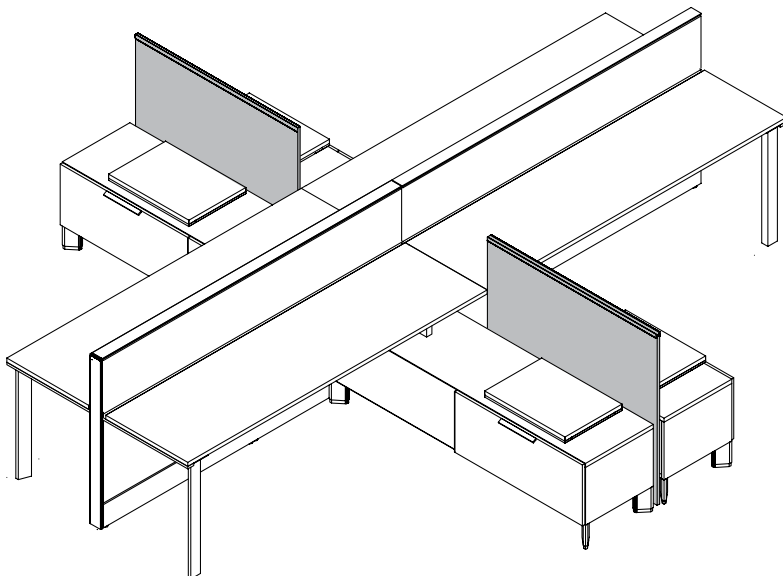
double storage spine (full width)



single corridor screen (full width)

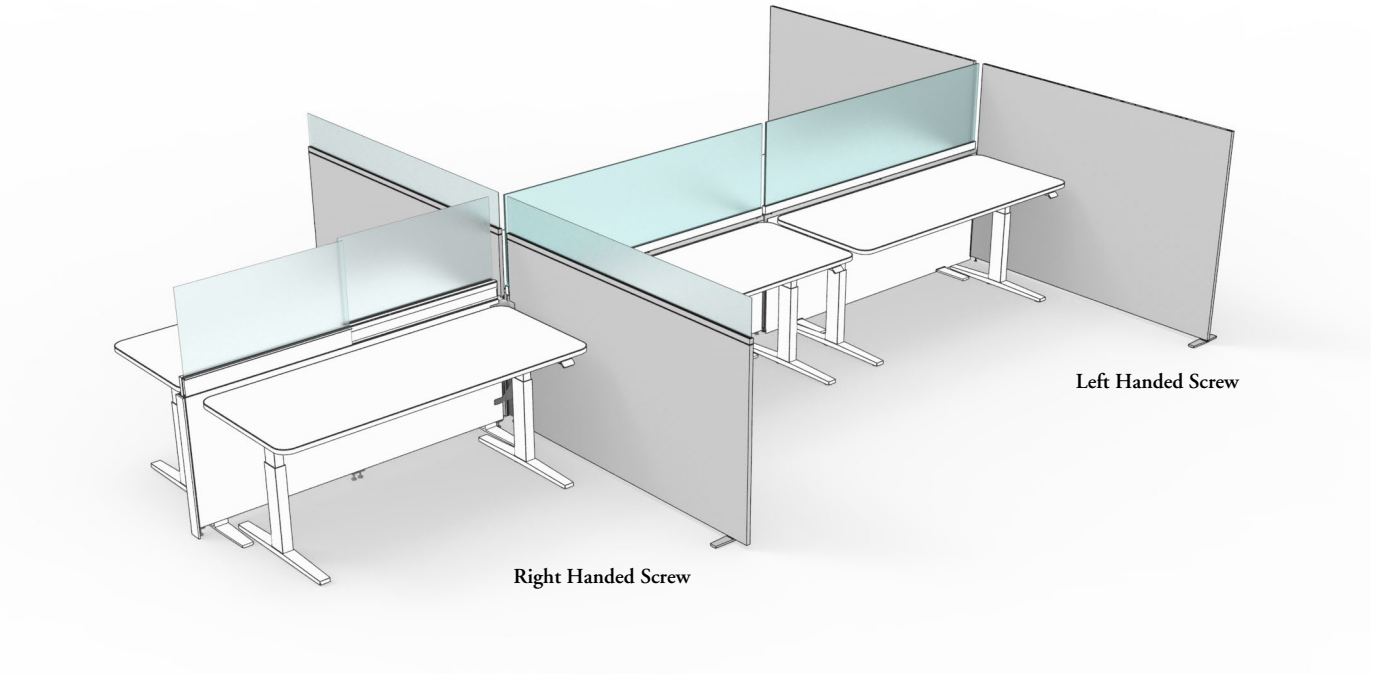


double storage wing divider (off-module)

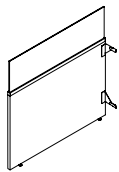


solid lateral screen basics

The Solid Lateral Screen is used with freestanding panels to provides a clean aesthetic and allows for seated privacy between users.

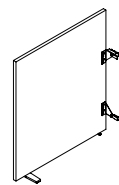


- Available in widths from 24" - 72" in 6" increments
- Available 42" and 51" high
- The screen thickness is 1"
- A stability foot is included on screens 48" and wider
- The screen must mount into the 6" high horizontal rail, therefore the screen **cannot** be specified with monolithic fascias



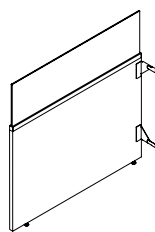
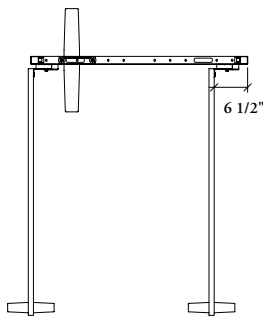
Solid Lateral Screen with Glass (UALSG)

- 42" high screen include 13" high glass in the overall height
- 51" high screen include options of 9" or 22" high glass in the overall height

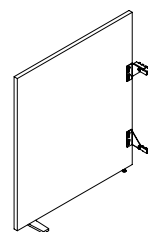


Solid Lateral Floor Screen (UALSS)

- Can accommodate a tack board



Left

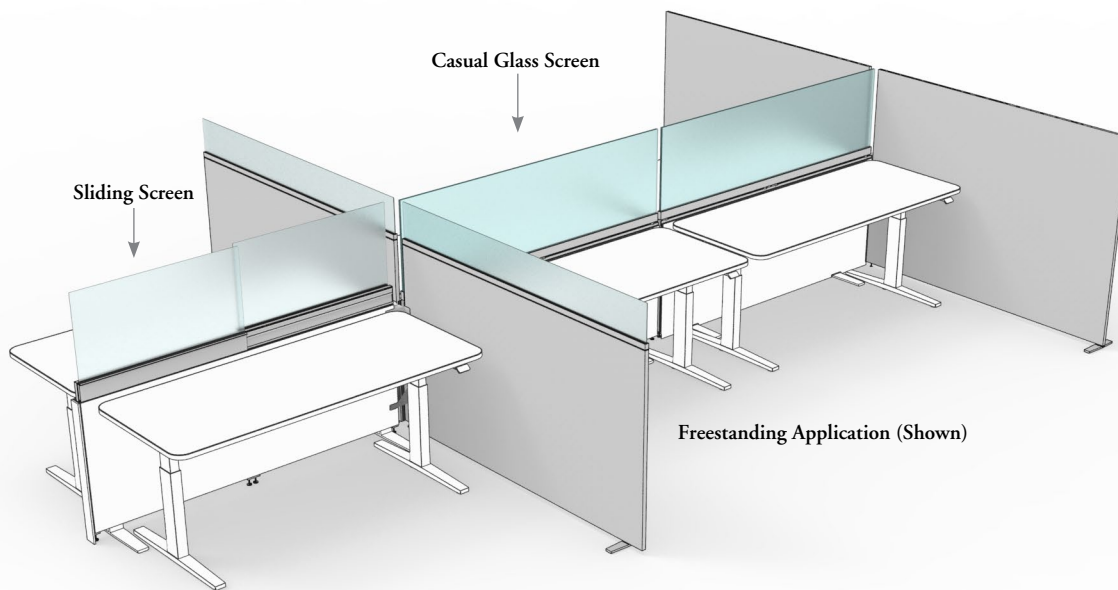


Left

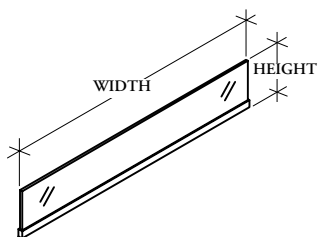
- The left handed orientation will have the visible mounting brackets on the right and the support foot (if required) will be on the left
- The right handed orientation will have the visible mounting brackets on the left and the support foot (if required) will be on the right
- It is especially important at the end condition. If it is specified with the incorrect handedness, the screen will sit in 6 1/2" from the end

integrating interpret with district

District Panel Walls in the Accessory Beams can accommodate Interpret Screens to provide a clean aesthetic, space division and casual privacy and can be used in fixed or freestanding applications.

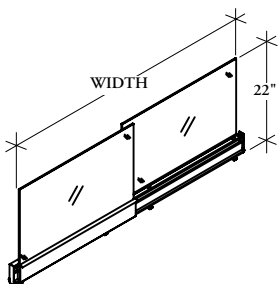


• For full guidelines and restrictions refer to Interpret Price & Application guidelines



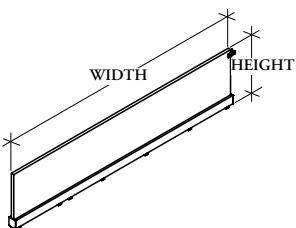
Casual Glass Screen (WWCCG) provides translucent seated space division

- 13" & 22" heights available
- Available in 24" - 96" in 6" increments
- Screen finish is available in Satin, Clear & Frost



Sliding Screens (WWCSS) consist of two separate glass screens attached to a rail on rollers to provide user adjustable seated privacy

- 22" high
- 13" & 22" heights available
- Widths are available from 60" - 84" in 6" increments
- Screen finish is available in Satin

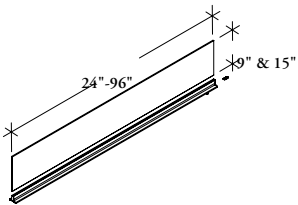
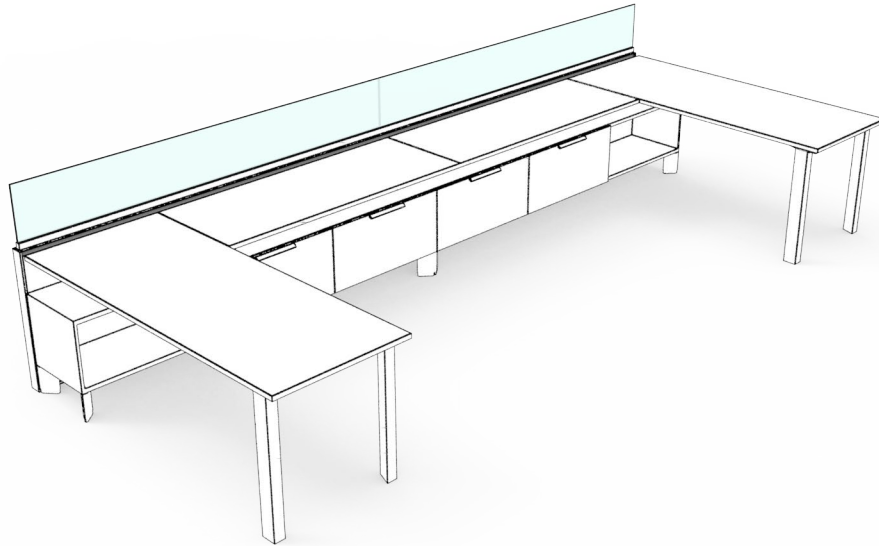


Solid Casual Screen (WWCCS) provides casual space division and privacy

- 13" & 22" heights available
- Available in 24" - 96" in 6" increments
- Screen finish is available in Source Laminate, Seamless & Flintwood

panel wall add-on screen basics

The Panel Wall Add-On Screen provides a casual option for finishing the top level of panel walls.



Panel Wall Add-On Screen – Solid (UNSPS) and Glass (UNSPG)

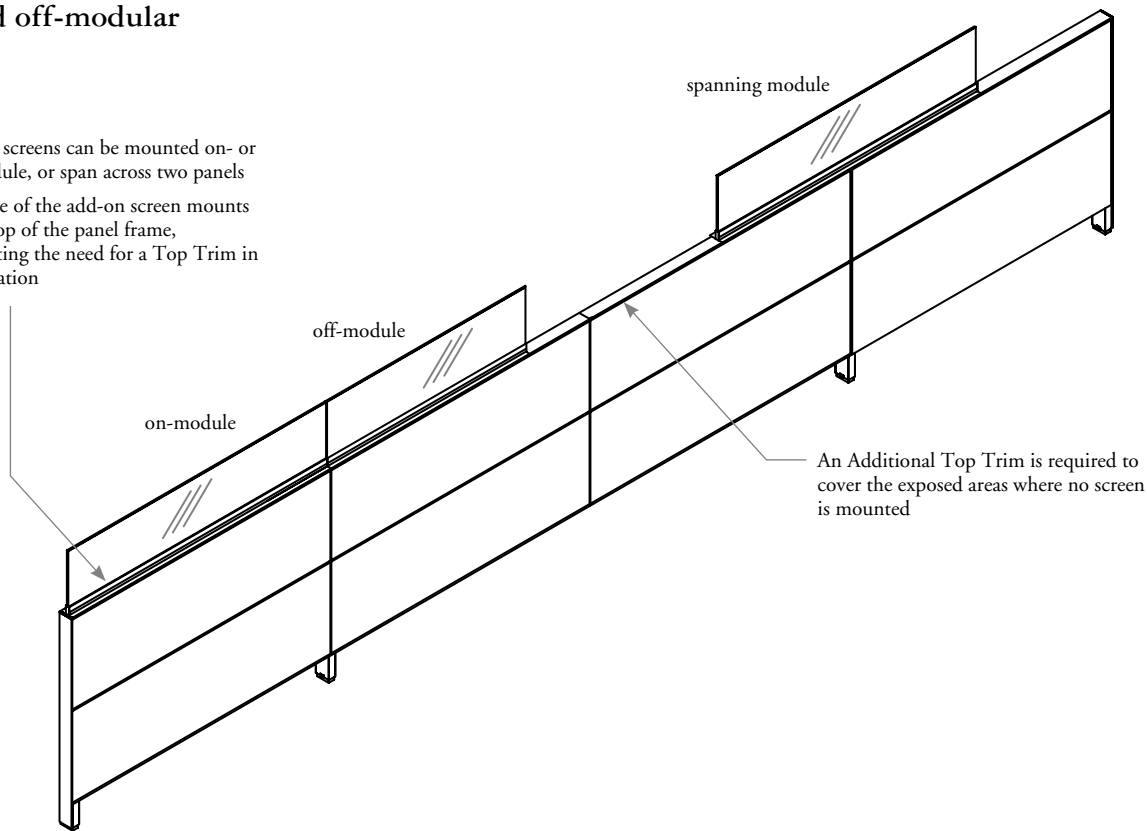
- Provides a light frameless alternative to a window or solid fascia at the top of a panel
- Available in glass or solid finish
- Can be mounted on- or off-module, or span two panel walls but **cannot** span a 180° spacer or 90° connection
- Replaces the top trim of the same width on the panel wall
- The support frame is visible above the Top Trim

planning with wall panel add-on screens

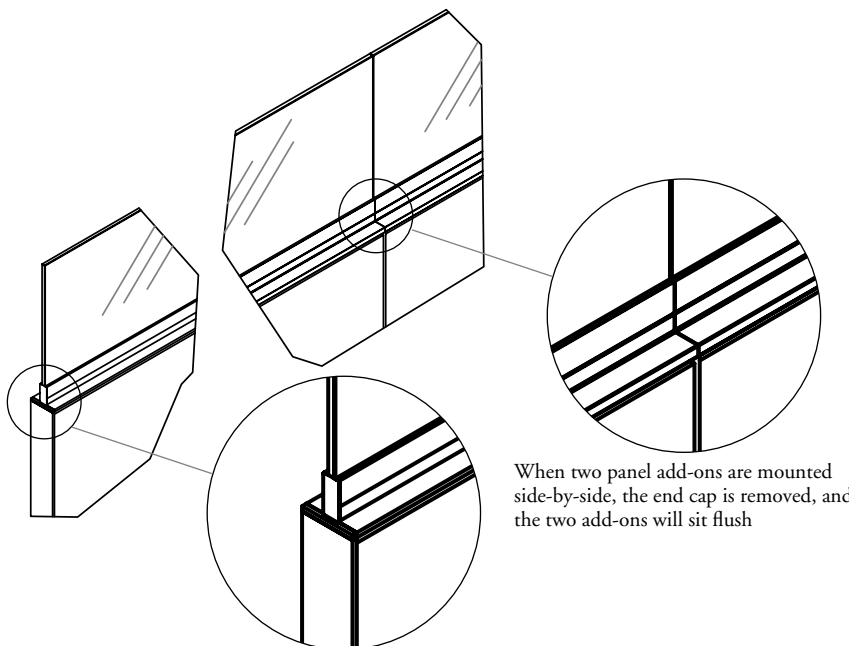
The following should be considered when planning with add-on screens.

on- and off-modular

- Add-on screens can be mounted on- or off-module, or span across two panels
- The base of the add-on screen mounts to the top of the panel frame, eliminating the need for a Top Trim in that location



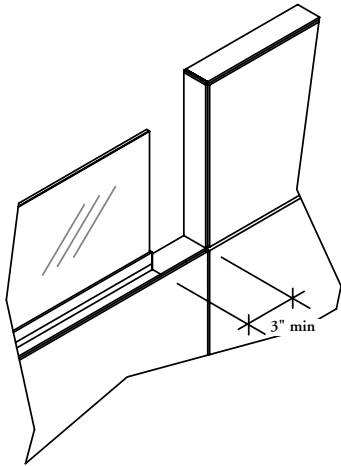
add-on screen end caps



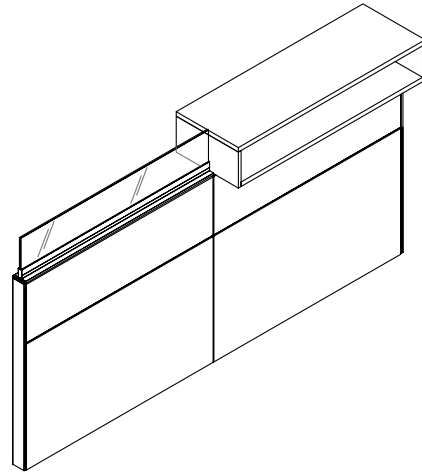
Screens are complete with end caps to finish the trim, and sit beyond the add-on screen and over the end trim to create a finished end condition

planning with wall panel add-on screens (continued)

change of height conditions



- When mounting panel add-on screens in change-of-height panel configurations, the add-on must start a minimum of 3" from the edge of the panel to allow for the Intermediate Trim thickness and a Top Trim must be ordered to fill the remaining width
- Top trim widths required below 24" are cut to size on site. The cut end should be applied against the adjoining panel, as the intermediate end trim will conceal the cut edge

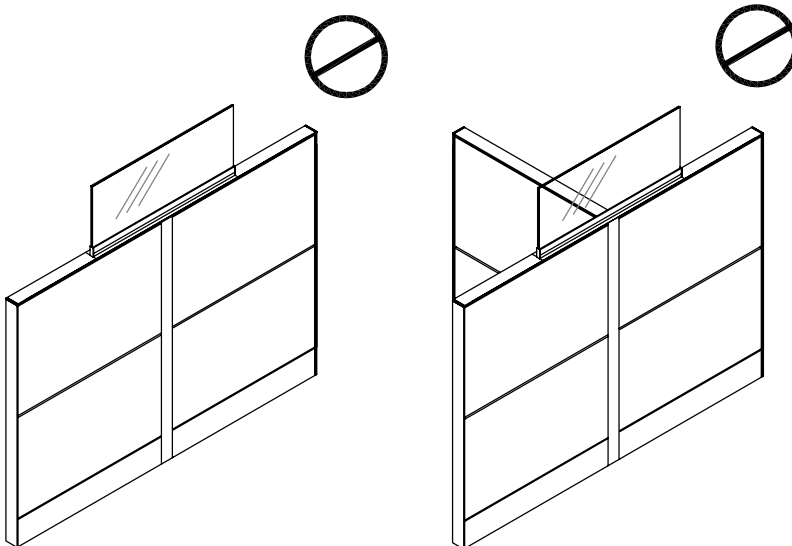


- When the change of height is due only to center-mounted storage and **not** a panel height change, the panel add-on can span the width of the frame it is mounted to

IOI

spanning connectors

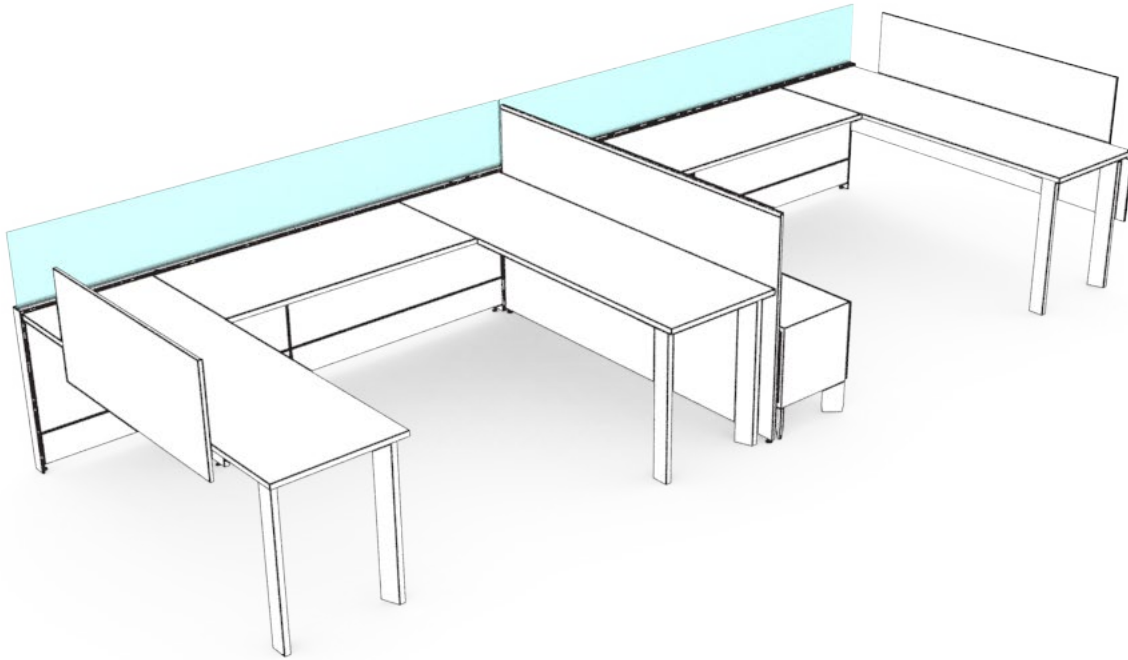
An add-on screen **cannot** span over a 180° or 90° connection



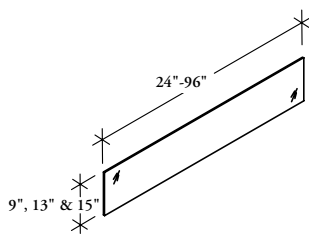
glass blades for panels with inset glass basics

The Glass Blade for Panels with Inset Glass provides a casual option for finishing the top level of panel walls. The Glass Blade recesses into the panel frame so less trim is visible.

IO2

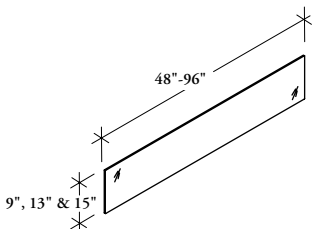


- Provides a light frameless alternative to a window at the top of a panel
- Can only be used on Panel Walls with Inset Glass (UYPCR, UYPER and UYPPR)
- Available with Standard Clear and Specialty Frost, white or Cool White Glass
- Can be mounted on- or off-module or span two panel walls
- Ten applications are available:
 - Both Standard
 - One Side Corner
 - One Side Notch
 - One Side Extended
 - Both Side Corner
 - Both Side Notch
 - Both Side Extended
 - Extended and Notch
 - Corner and Notch
 - Corner and Extended



Panel Glass Blade for Panels with Inset Glass (UYSPG)

- Provides a glass blade inset into a panel frame without any exposed top trim
- Top trim must be specified separately, Panel Top Trim for Panels with Inset Glass (UYTT)



Bridged Glass Blade for Panels with Inset Glass (UYSCG)

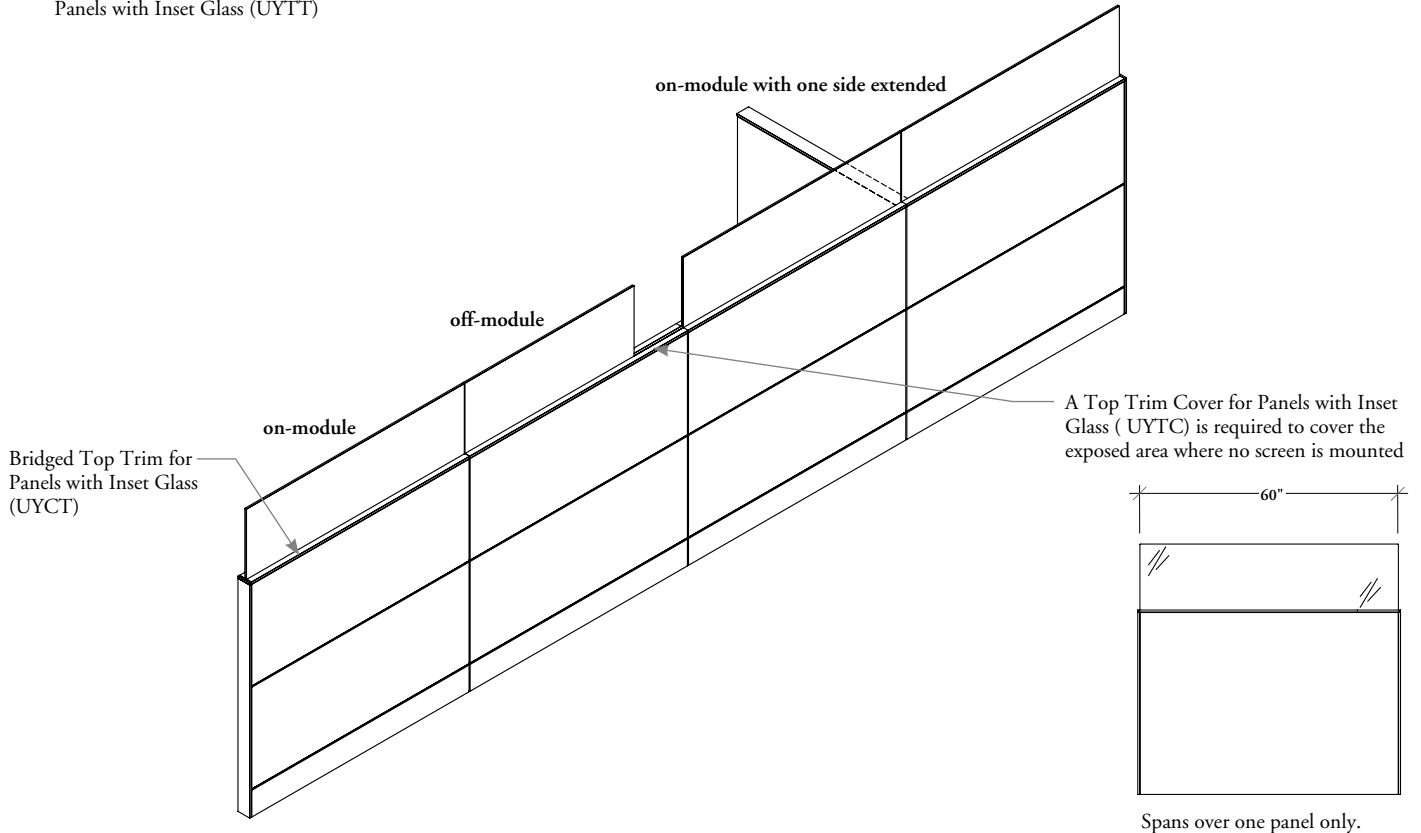
- Provides an inset glass blade that spans over two panels being connected by a three-way connector
- Top trim must be specified separately, Bridged Top Trim for Panels with Inset Glass (UYCT)
- Widths are nominal and account for the 3" width of the three-way connector

planning with glass blades for panels with inset glass

The following should be considered when planning with Glass Blade for Panels with Inset Glass.

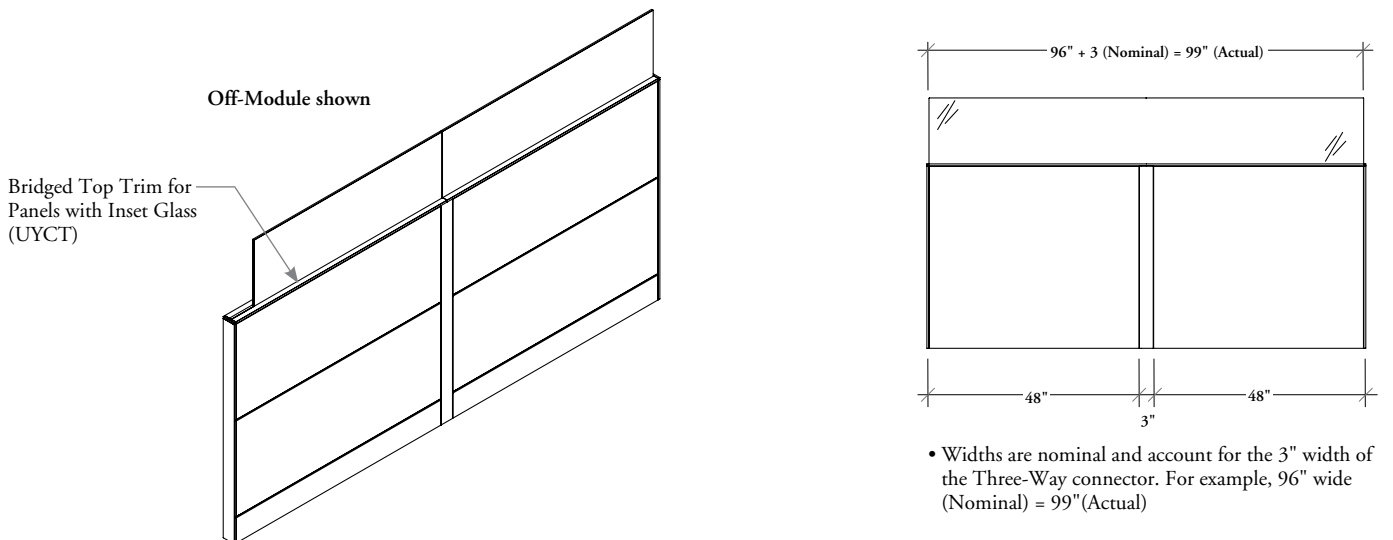
panel glass blade

- Can be on- or off-module and can span across two panels
- The base of the Inset Glass must be embedded into a Panel Wall with Inset Glass (UYPCR, UYPER and UYPFR) and must be used with the Panel Top Trim for Panels with Inset Glass (UYTT)



bridged glass blade

- Bridged Glass Blade for Panels with Inset Glass spans across two panels connected by a three-way connector, and can be mounted on- or -off module
- The base of the inset glass must be embedded into a Panel Wall with Inset Glass (UYPCR, UYPER and UYPFR) and must be used with Bridged Top Trim for Panels with Inset Glass (UYCT)
- When planning off-module it is recommended that the exposed top trim be covered by Bridged Top Trim for Panels with Inset Glass (UYCT)



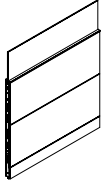
- Widths are nominal and account for the 3" width of the Three-Way connector. For example, 96" wide (Nominal) = 99"(Actual)

planning with glass blades for panels with inset glass (continued)

The following should be considered when planning with add-on screens.

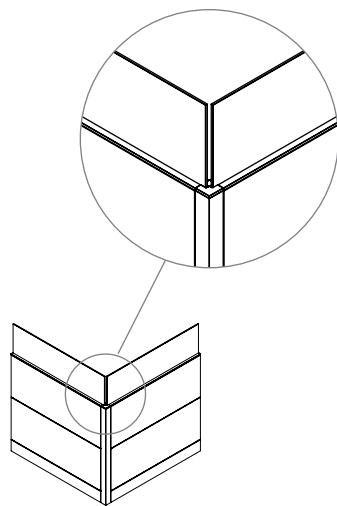
There are ten application available when planning with Glass Blades for Panels with Inset Glass:

IO4



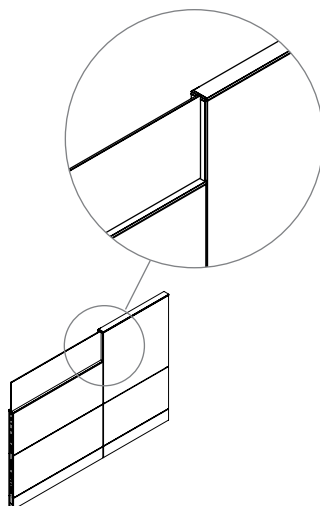
Both Standard (S)

Used when beside other panels with Inset Glass Blade and no extension is required on when the panel beside it has no glass blade.



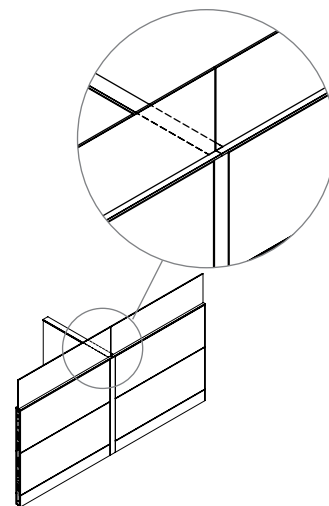
One Side Corner (G)

Used on a corner to reduce the gap between glass blades. Must be used with Two-Way 90° Corner Gap for Panels with Inset Glass (UYPC2).



One Side Notch (K)

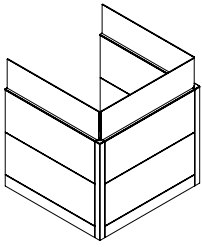
Used when planned against an Intermediate End Trim.



One Side Extended (E)

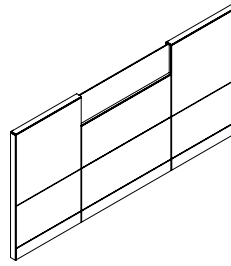
Extends 1 1/2" over a Three-Way Connector. Must be used with a second Glass Blade with Side Extended to cover the full Three-Way connector. The cap on Three-Way connector is removed to have both glass blades extend over it.

planning with glass blades for panels with inset glass (continued)



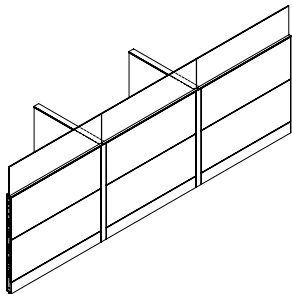
Both Side Corner (C)

Used when both ends are on a corner to reduce the gap between glass blades. Must be used with Two-Way 90° Corner Gap for Panels with Inset Glass (UYPC2).



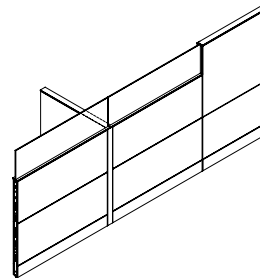
Both Side Notch (N)

Used when planned between two Intermediate End Trims.



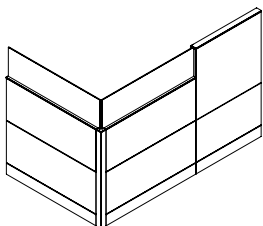
Both Side Extended (B)

Used to run 1 1/2" over a Three-Way Connector on either end. Must be used with a second Glass Blade with side Extended to cover full the Three-Way connector on each side.



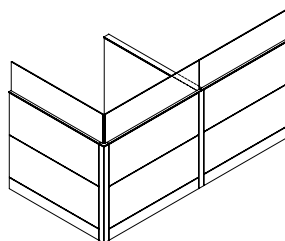
Extended & Notch (F)

Used to extend 1 1/2" over a Three-Way Connector on one end and against an Intermediate End Trim on the other. The Top cap on the Three-Way connector is removed to have both glass blades extend over it.



Corner & Notch (H)

Used when one end is on a corner to reduce the gap between glass blades and the other end is against an Intermediate End Trim. Must be used with Two-Way 90° Corner Gap for Panels with Inset Glass (UYPC2).



Corner & Extended (D)

Used when one end is on a corner to reduce the gap between glass blades and the other end extended 1 1/2" over a Three-Way Connector. Must be used with a second Glass Blade with side Extended to cover the full Three-Way connector. The Top cap on the Three-Way Connector is removed to have both glass blades extend over it. Must be used with Two-Way 90° Corner Gap for Panels with Inset Glass (UYPC2).

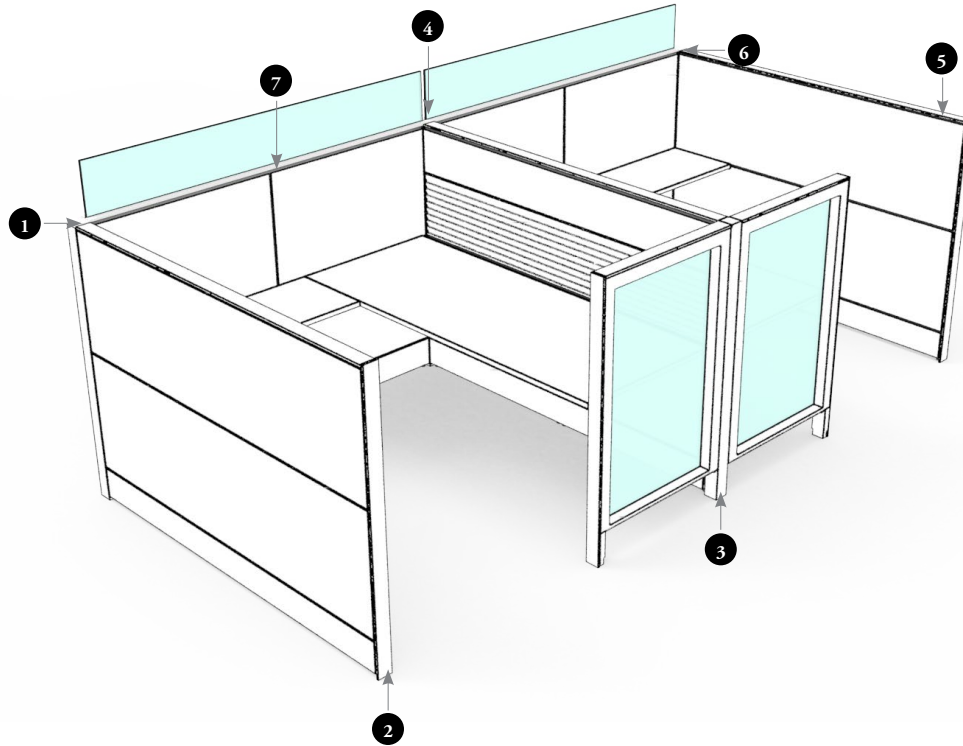
connections & trim

connections & trims

UNDERSTANDING TRIMS & CONNECTORS	108
TOP TRIM BASICS	109
END TRIM BASICS	110
CONNECTOR BASICS	111
CONNECTOR & TRIM CONFIGURATIONS	113
PLANNING WITH CONNECTORS & TRIMS	115

understanding trims & connectors

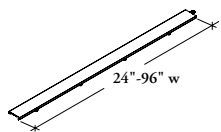
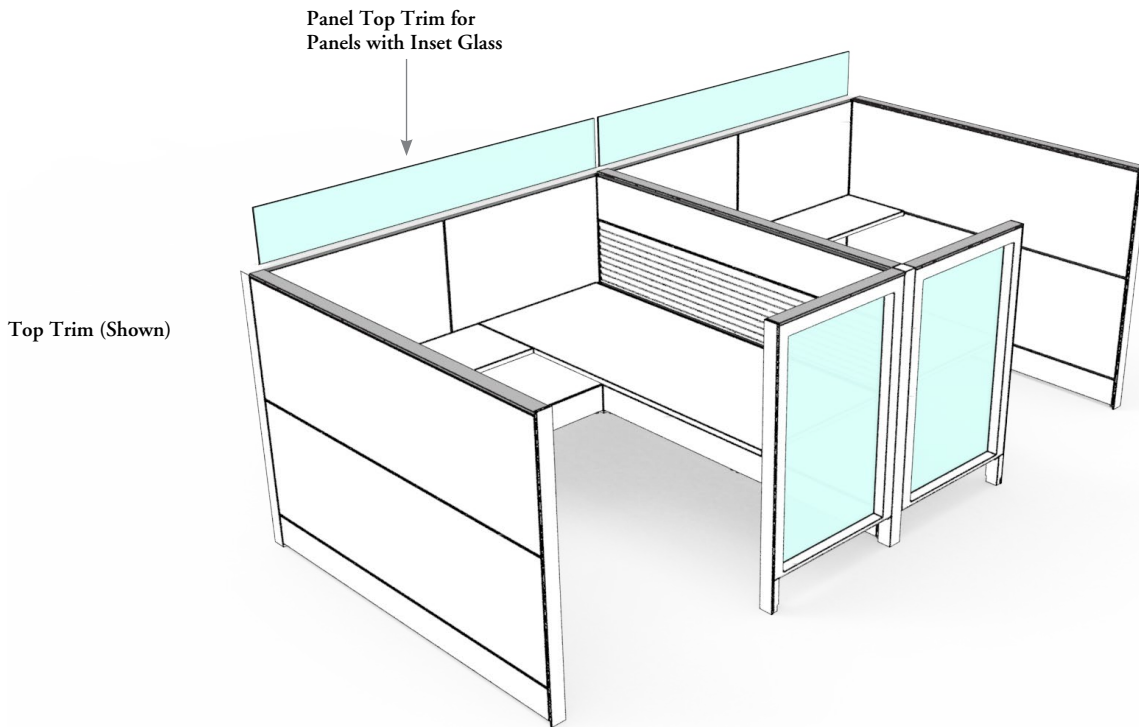
Trims and connectors are required to finish the tops, ends and corners of District Panel Walls and Add-On Windows.



108

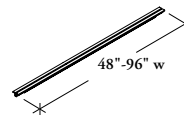
- 1 Corner connectors include brackets, trims and corner caps.
- 2 All trims are bolted to the panel wall for positive engagement and alignment.
- 3 Corner connectors are specified to match the panel type that they are being used with (ex. Flush/Convertible-to- Flush/Convertible, Elevated-to-Elevated, or Flush/Convertible-to-Elevated).
- 4 All panel wall connections are on-module.
- 5 Top trims are available up to 96" wide to span across all widths of panels including those made up of two sections.
- 6 Connectors are available for two-, three- and four-way connections as well as 180° connections.
- 7 Panel Top Trim for Panels with Inset Glass allows Panel Glass Blade for Panels with Inset Glass (UYSPG) to sit inset into a panel.

The following outlines the features of each of the top trims available in District.



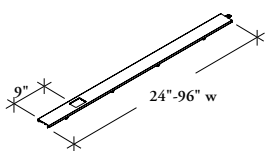
Top Trim (UNTT)

- A full width trim on the top of a panel wall or add-on window
- 7/16" thick



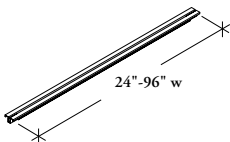
Bridged Top Trim for Panels with Inset Glass (UYCT)

- Allows Bridged Glass Blade for Panels with Inset Glass (UYSCG) to be inset into the panel wall while spanning over two panels attached by a three-way connector
- Optional brackets are available on one or both sides to connect to related end trim
- Available in Both Extended, One Side Extended and Both Standard applications
- Widths are nominal and account for the 3" width of the three-way connector
- Available in Foundation, Mica and Accent colors
- Non-handed



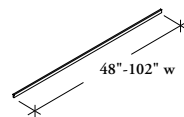
Top Trim – Power Pole Access (UNTP)

- Same as the Top Trim except with a cut out to allow a Power Pole to be installed off-module 9" from a panel end
- Non-handed



Panel Top Trim for Panels with Inset Glass (UYTT)

- Allows Panel Glass Blade for Panels with Inset Glass (UYSPG) to be inset into a panel wall
- Available in Both Extended, One Side Extended and Both Standard applications
- Must be used on Panel Wall with Inset Glass (UYPCR, UYPER and UYPRF)
- Available in Foundation, Mica and Accent colors

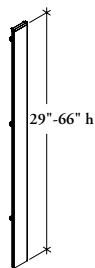
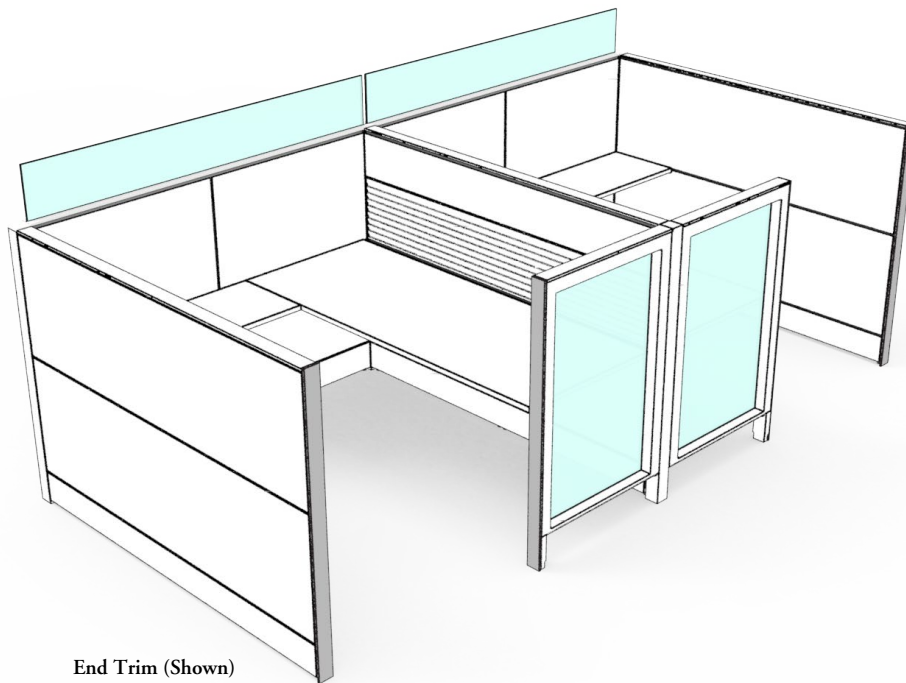


Top Trim Cover (UYTC)

- Used to fill exposed sections on Panel Top Trim for Panels with Inset Glass (UYTT) or Bridged Top Trim for Panels with Inset Glass (UYCT)
- Cut on site

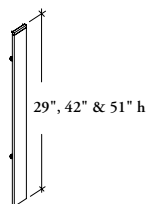
end trim basics

The following outlines the features of each of the end trims available in District.



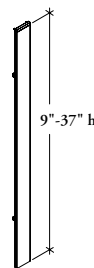
End Trim (UNTE)

- A full-height trim that conceals the end of a panel wall
- Heights matches the heights of Flush and Elevated Panel Walls and Convertible Walls
- Required to cover the full height of a panel wall, including add-on window and full-height window, if applicable
- Can be used on panel walls with or without Accessory Beam



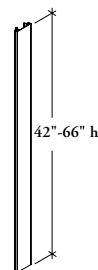
End Trim for Freestanding District (UATE)

- Used in freestanding applications to accommodate the support foot gaps
- Available in Mica & Foundation finishes
- Can be used on panel walls with or without Accessory Beam



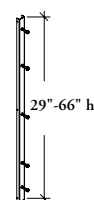
Intermediate End Trim (UNTM)

- Conceals an exposed portion of a panel wall, add-on window or full-height window in a change-of-height location



Transition Cover (UNTC)

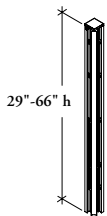
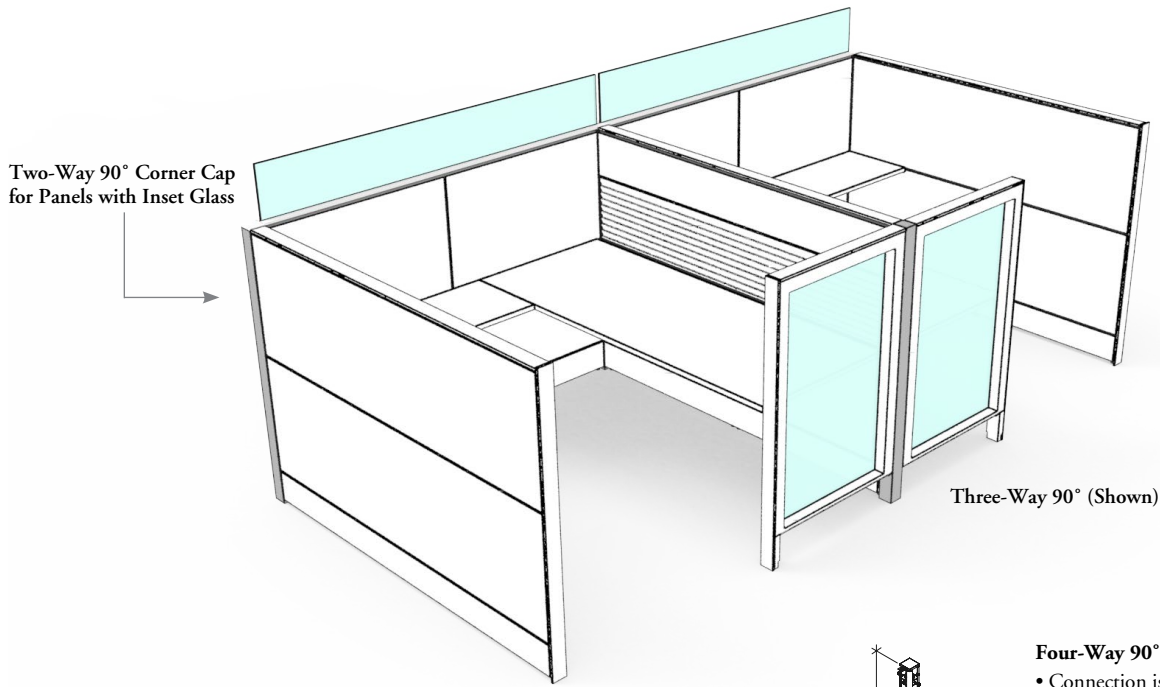
- Used to provide a seamless vertical trim cover when an intermediate panel connection occurs above a full panel connection



Wall Start (UNPCW)

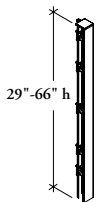
- Used to connect either elevated or standard Panel Walls (no corners) to reinforced drywall
- Foot is specified separately for elevated Panel Walls at the wall start connector point

The following outlines the features of each of the connectors available in District.



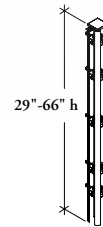
Two-Way 90° (UNPCR2)

- Connection is used to connect two panel walls and windows at 90° in same panel height or varying panel height configurations
- For change of heights, the connector is specified for the lowest height panel
- Available with options for connecting Flush, Elevated or Convertible Panel Walls



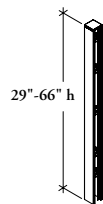
Three-Way 90° (UNPCR3)

- Connection is used to connect three panel walls at 90° in same panel height or varying panel wall height configurations
- Used for change of heights, the connector is specified for the lowest height panel wall
- Available in two configurations:
 - (1) one vertical cover and top cap which completely finishes the connection when no Intermediate 180° Connector (UNIC3) will be used above it
 - (0) no vertical cover or top cap is used for change-of-height connections when an Intermediate 180° Connector (UNIC3) is used above it, a separate Transition Cover (UNTC) must be ordered
- Available with options for connecting Flush, Elevated or Convertible Panel Walls



Four-Way 90° (UNPCR4)

- Connection is used to connect four panel walls and full-height windows at 90° in same panel height or varying panel height configurations
- Used for change of heights, the connector is specified for the lowest height panel wall
- Available with options for connecting Flush, Elevated or Convertible Panel Walls



Two-Way 180° Spacer (UNPCCR)

- Connection is used when a spacer is required between two panel walls, full-height windows or add-on windows joined at 180° to match either panel wall lengths or to provide a needed space for screens etc.
- Used for change of heights, the connector is specified for the lowest height panel wall
- Available with options for connecting Flush, Elevated or Convertible Panel Walls
- In most layouts no spacer is needed, panel walls are bolted together with 0" gap



Two-Way 90° Corner Cap for Panels with Inset Glass (UYPC2)

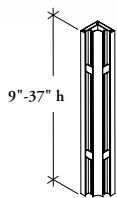
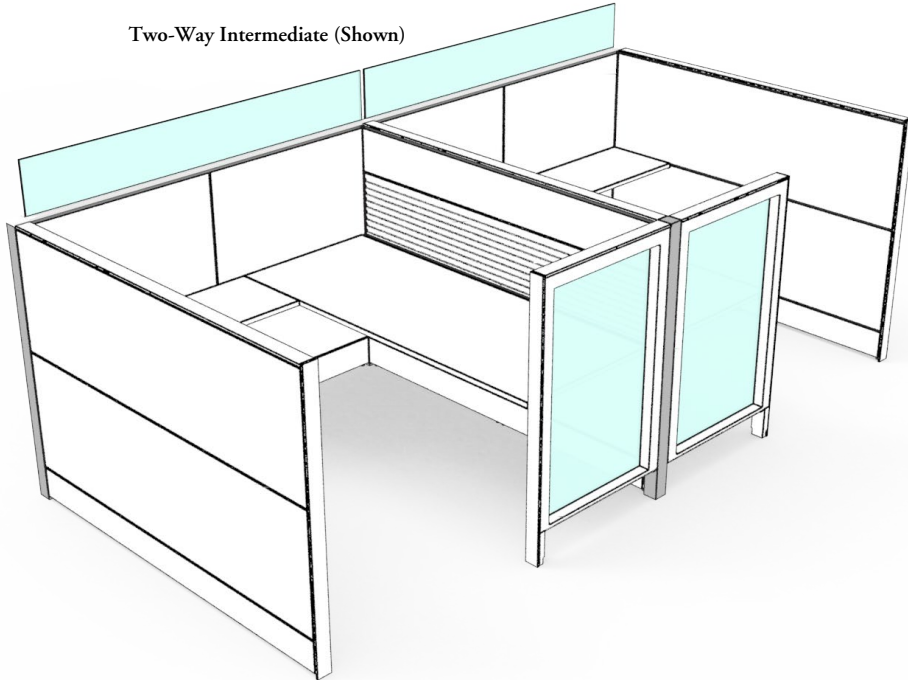
- Used with Two-Way 90° (UNPCR2) and replaces the cap on existing connector to accommodate Panel Top Trim for Panels with Inset Glass (UYTT) and Panel Glass Blade for Panels with Inset Glass (UYSPG) in a corner application
- Available in Clear Anodized, Foundation and Mica

connector basics (continued)

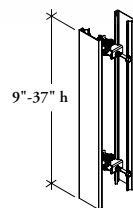
The following outlines the features of each of the connectors available in District.

II2

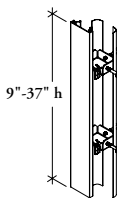
Two-Way Intermediate (Shown)



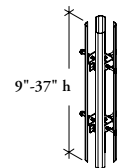
Two-Way Intermediate 90° (UNIC2)
 • Connection is used to fill the exposed ends of panel walls above a three-way or four-way connection in a change-of-height configuration



Two-Way Intermediate 180° (UNICC)
 • Connections is used to fill the exposed ends of panel walls or add-on windows above a 180° spacer in change-of-height configurations
 • Available in two configurations;
 – (2) two vertical covers (completely finishes both sides with equal length trim covers)
 – (1) one vertical cover only (select when a two-way Intermediate 180° connection is above a three-way 90° connection a Transition Cover (UNTC) is ordered separately to cover the open side



Three-Way Intermediate 90° (UNIC3)
 • Connection is used to fill the exposed ends of panel walls or add-on windows above a four-way connector in change of height configurations

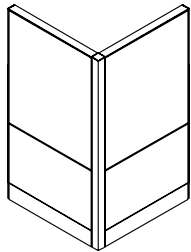


Four-Way Intermediate 90° (UNIC4)
 • Connection is used to fill the gap created when four add-on windows are added above an existing four-way connection

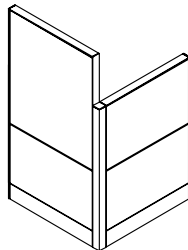
connector & trim configurations

A minimal number of connector types are required to make a large number of connections possible in District.

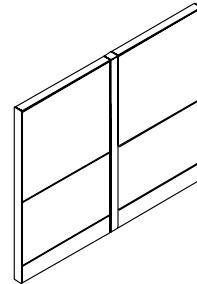
two-way



Two-Way 90° Connector (UNPCR2)

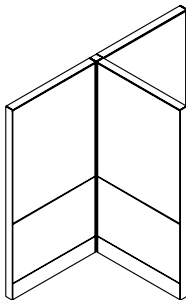


Two-Way 90° Connector (UNPCR2)
Intermediate End Trim (UNTM)

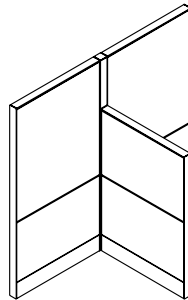


Two-Way 180° Spacer (UNPCCR)

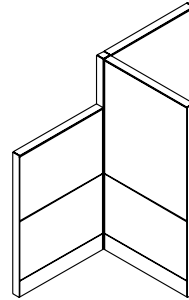
three-way



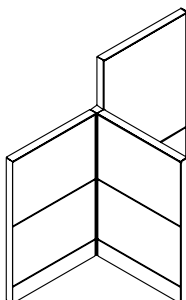
Three-Way 90° Connector (UNPCR3)



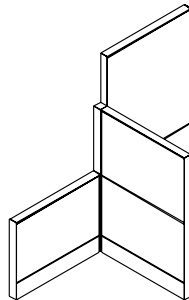
Three-Way 90° Connector (UNPCR3)
(no vertical trim option)
Two-Way Intermediate 180° Spacer
(UNICC) (one vertical trim only
option)
Transition Cover (UNTC)



Three-Way 90° Connector (UNPCR3)
Two-Way 90° Intermediate (UNPC2)



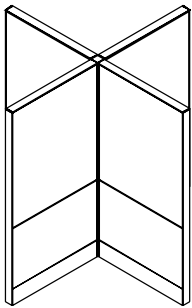
Three-Way 90° Connector (UNPCR3)
Intermediate End Trim (UNTM)



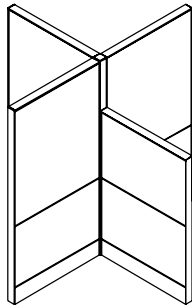
Three-Way 90° Connector (UNPCR3)
Two-Way 90° Connector (UNIC2)
Intermediate End Trim (UNTM)

connector & trim configurations (continued)

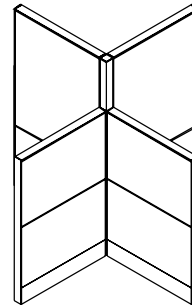
four-way



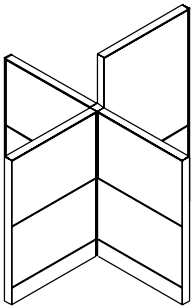
Four-Way 90° Connector (UNPCR4)



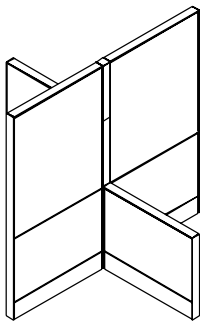
Four-Way 90° Connector (UNPCR4)
Three-Way Intermediate 90° (UNIC3)



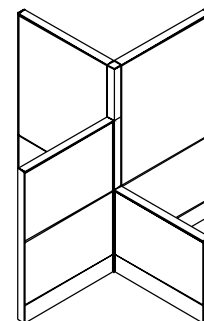
Four-Way 90° Connector (UNPCR4)
Two-Way Intermediate 90° (UNIC2)



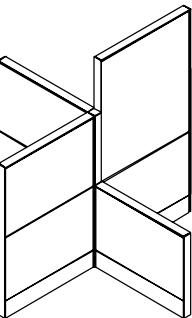
Four-Way 90° Connector (UNPCR4)
Intermediate End Trim (UNTM)



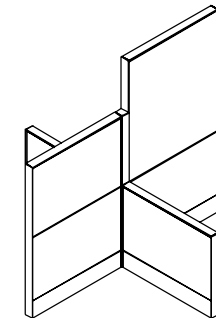
Four-Way 90° Connector (UNPCR4)
Three-Way Intermediate 90° (UNIC3)
Two-Way Intermediate 180° (UNICC)



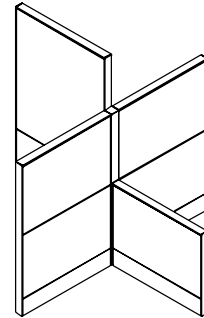
Four-Way 90° Connector (UNPCR4)
Three-Way Intermediate 90° (UNIC3)
Two-Way Intermediate 90° (UNIC2)



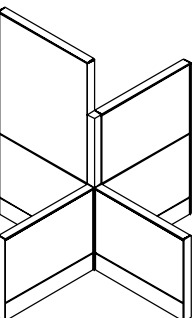
Four-Way 90° Connector (UNPCR4)
Three-Way Intermediate 90° (UNIC3)
Intermediate End Trim (UNTM)



Four-Way 90° Connector (UNPCR4)
Two-Way Intermediate 180° (UNICC)
Intermediate End Trim (UNTM)



Four-Way 90° Connector (UNPCR4)
Three-Way Intermediate 90° (UNIC3)
Intermediate End Trim (UNTM)

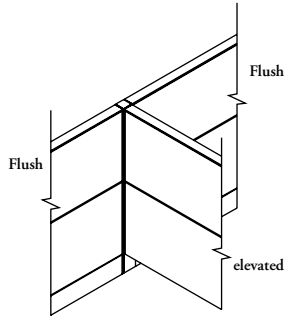


Four-Way 90° Connector (UNPCR4)
Two-Way Intermediate 90° (UNIC2)
Intermediate End Trim (UNTM)

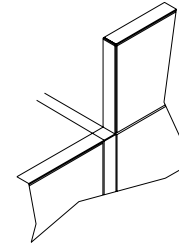
planning with connectors & trims

The following should be considered when planning with District trims and connectors.

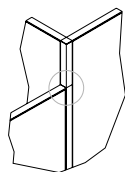
trims & connectors



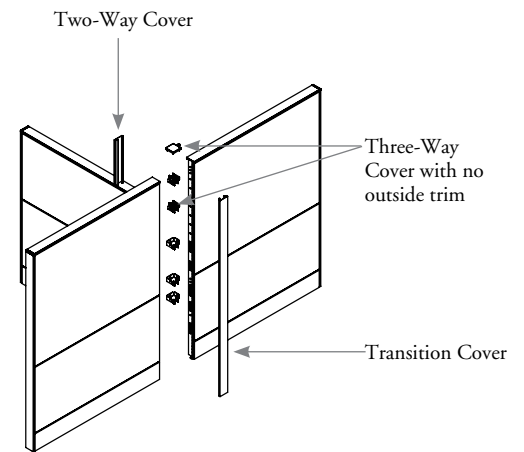
- The combination of panel types used must be indicated when specifying a corner connector because elevated connectors include the panel foot. In this example a UNPCR3EA is used which indicates two Flush panels or Convertible panels or one Elevated panel



- In change of height applications, the connector is specified at the height of the lowest panel
- Intermediate Connectors and Intermediate Trims are used above that height to conceal all exposed ends



- When an L-shaped corner connector meets a straight corner connector, (ex. Three-Way 90° (UNCPRC3) with a Two-Way Intermediate 90° (UNIC2) above), a seam will be visible

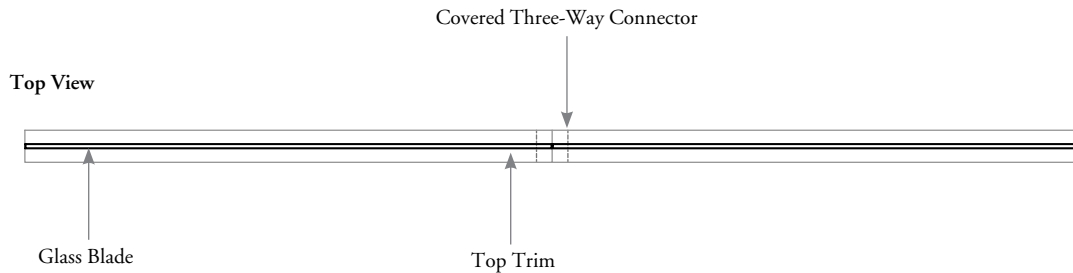


- When a Two-Way Intermediate 180° (UNICC) is mounted above a 90° Connector (ex. Three-Way 90° (UNPCR3) the connectors should be specified **without** the outside trims. A Transition Cover (UNTC) is specified to extend the full height of the connection, eliminating the seam

planning with connectors & trims (continued)

panel top trim for panels with inset glass

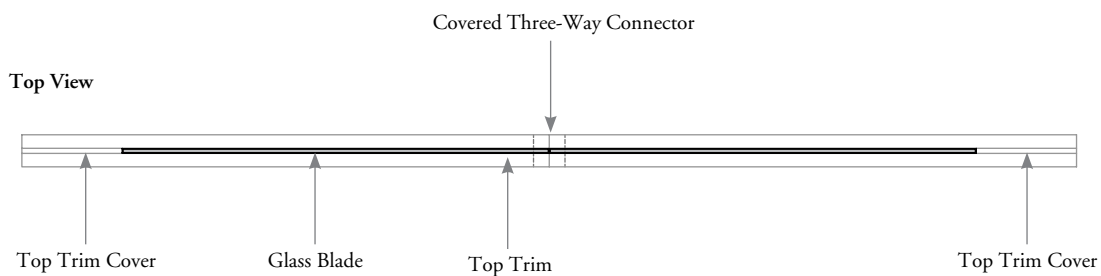
- Panel Top Trims for Inset Glass are required when the inset glass blade is used
- When the Extended option is specified over a three-way connector the existing top cap is removed and the Panel Top Trim for Panels with Inset Glass is run over top to conceal the three-way connector and allow for glass blades to meet



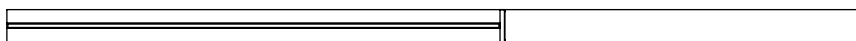
116

top trim cover

If an off-module application is specified, the Top Trim Cover must be specified to fill the exposed trim locations. The Top Trim Cover can be cut on site to ensure accuracy.

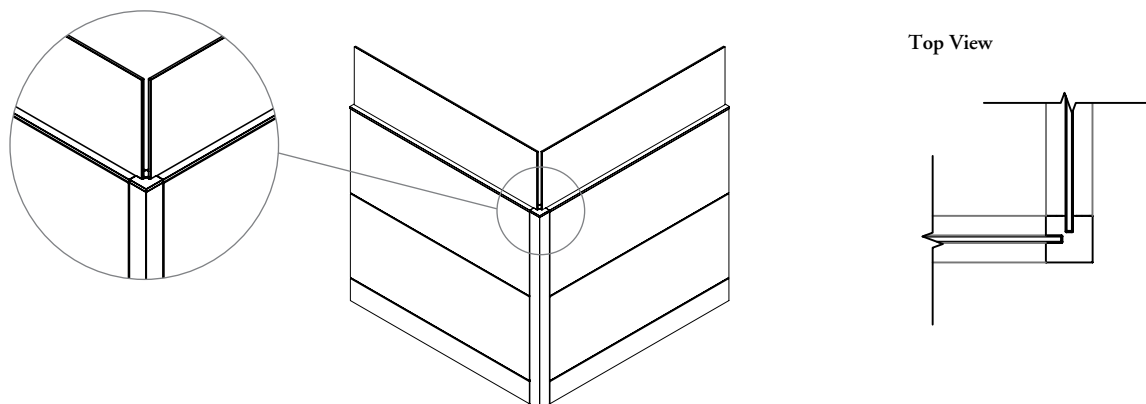


When Notched option is desired to accommodate an Intermediate End Trim the Panel Top Trim for Panels with Inset Glass must be specified as standard and only the Panel Glass Blade for Panels with Inset Glass will be specified Notched.



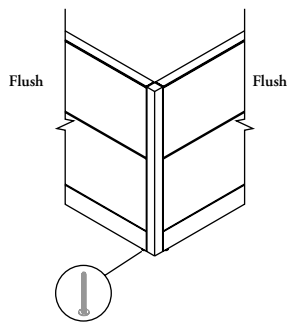
two-way 90° corner cap for panels with inset glass

When planning with Panel Glass Blade for Panels with Inset Glass (UYSPG) or Bridged Glass Blade for Panels with Inset Glass (UYSCG) on a corner application, a Two-Way 90° Corner Cap for Panels with Inset Glass must be specified to replace existing cap on two-way connector to allow inset glass to meet.

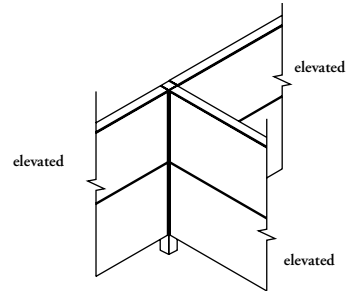


planning with connectors & trims (continued)

levelers

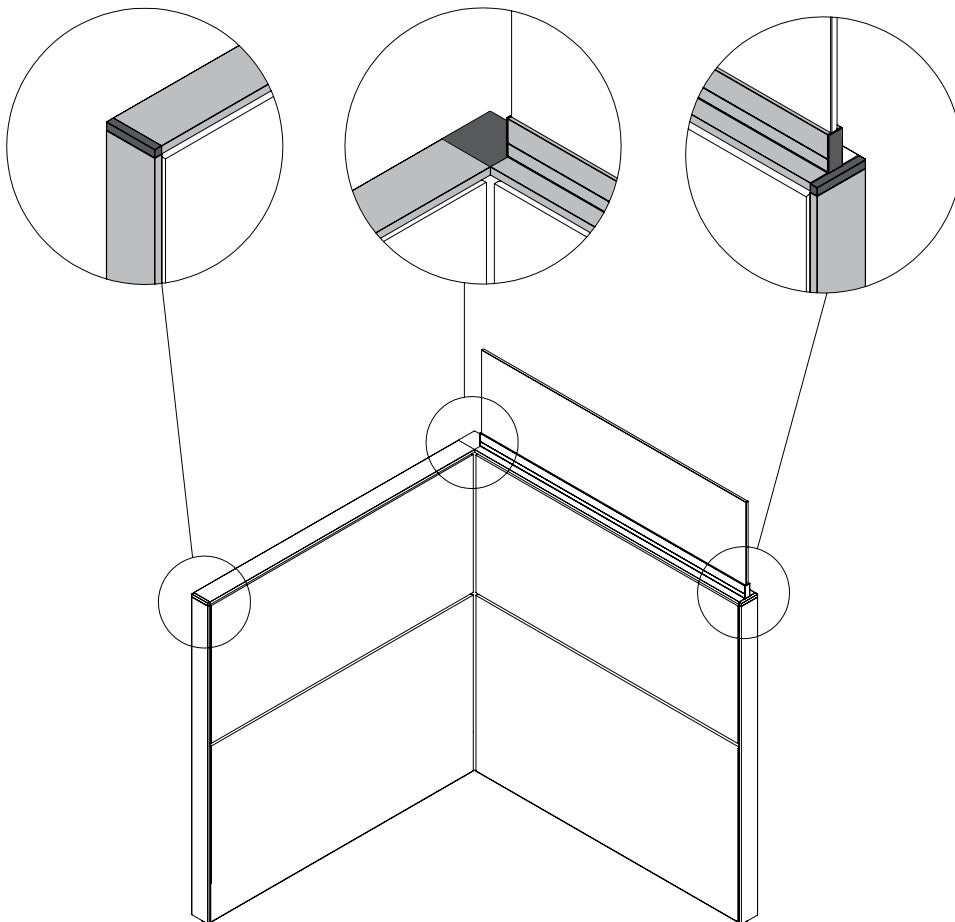


- When a flush corner connector is used the trim extends to the floor but the levelers may be visible



- When an elevated corner connector is used, the foot is visible but the levelers will be concealed
- The foot extends over the leveler

finish detail



- When the Anodized Aluminum finish is specified on connectors & trims, there will be a visual difference between the top and end trims and the corner caps (Extruded Aluminum vs Cast Aluminum). If a consistent finish is required, it is recommended that Mica Paint be specified

worksurfaces

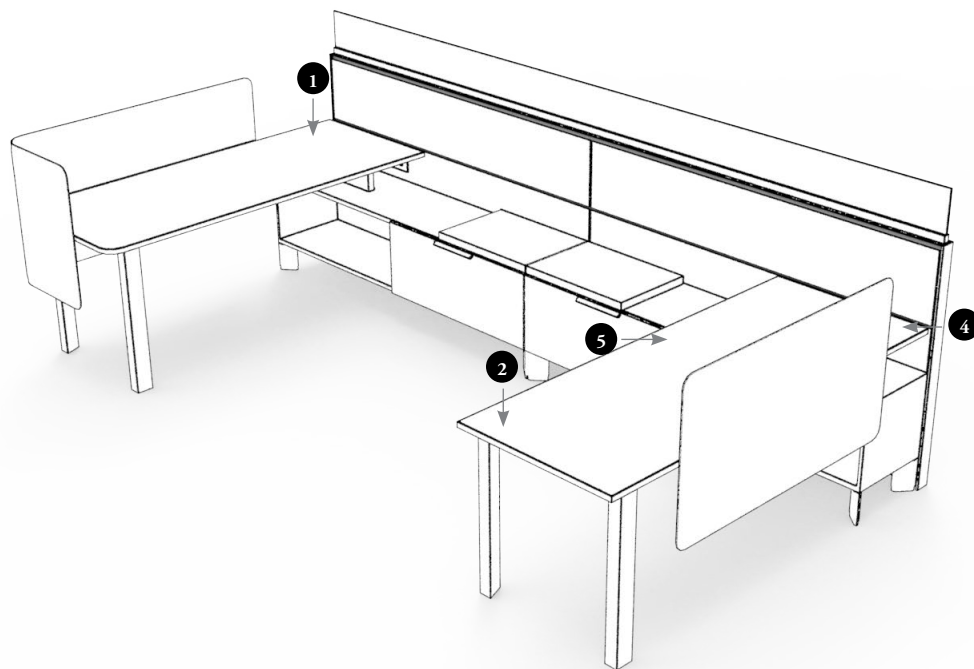
worksurfaces

UNDERSTANDING WORKSURFACES.	120
WORKSURFACE BASICS.	121
PLANNING WITH WORKSURFACES	122
PLANNING WITH WORKSURFACE GAPS	123
PLANNING WITH SMALL FOOTPRINT WORKSURFACES.	125
PLANNING WITH GROMMETS.	126
WORKSURFACE GRAIN/PATTERN DIRECTION	127
EDGE TRIM STYLE OVERVIEW	129

understanding worksurfaces

District provides a variety of worksurface shapes for primary and secondary worksurfaces. The following outlines the features of District worksurfaces.

120

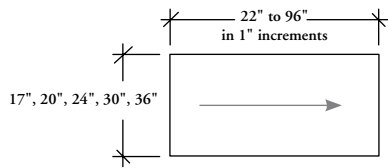


- 1 District surfaces are standard with a 1" gap on the back side for cable access
- 2 Worksurface widths are available in 1" increments to allow for an optional 1" gap on one or both sides of a worksurface and to match up with storage components (see *Storage* section)
- 3 Worksurfaces can be panel wall- or storage-mounted or specified with legs to create freestanding or semi-supported surfaces (see *Supports* section)
Worksurfaces can be mounted on- or off-module
- 4 The orientation of worksurfaces is determined by the location of the deepest end from the users perspective

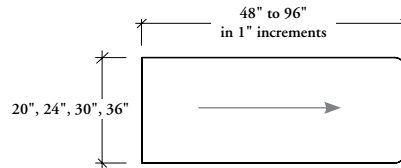
The following worksurface shapes are available in District.

Worksurfaces **cannot** be mounted to 29" high Panel Walls with Inset Glass with the Panel Wall Bracket (UNBP). Please see Planning with Worksurface Support – Horizontal section for more details.

Nominal depth dimensions shown



Rectangle Worksurface (UNWR)



Rectangle with Radius Corners Worksurface (UNWC)

Finishes

- Worksurfaces are available in Foundation Laminate, Seamless Color, Flintwood and Natural Veneer finishes
- Edge trims are available in Acrylic, ABS, Flintwood and Natural Veneer
- Acrylic is available with Foundation Laminate
- ABS is available with Foundation Laminate
- Flintwood edge trims are finished to match the Flintwood surface
- Natural Veneer edge trims are finished to match the Natural Veneer surface
- Seamless color edge trims are finished to match seamless surface

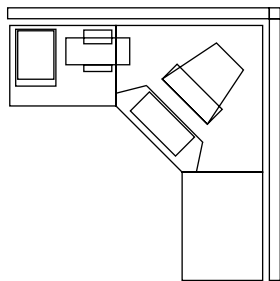
planning with workspaces

The following should be considered when planning with District workspaces.

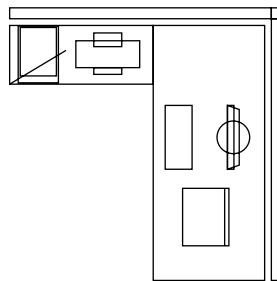
conventional vs. district

- District allows for the re-interpretation of conventional corner oriented workstations to maximize work flow

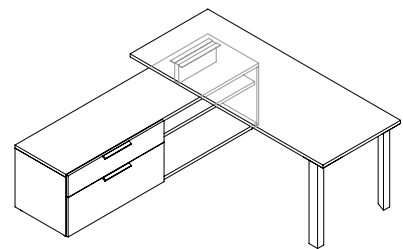
122



- **Conventional planning** typically uses a deep corner surface with keyboard tray and equal depth returns



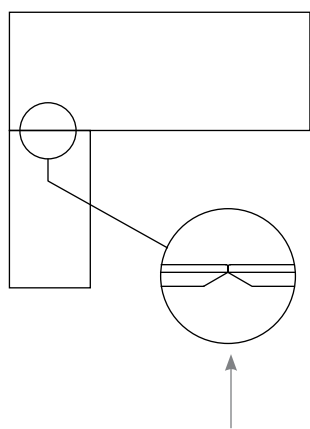
- **District planning** provides a deep primary workspace and shallow secondary surface for clear articulation of work-zones
- Worksurface shapes are optimized for rectangular and tapered configurations



- **District planning** uses overlapping surfaces and volumes to allow more "stacking" and less filing surfaces

workspace edge profiles

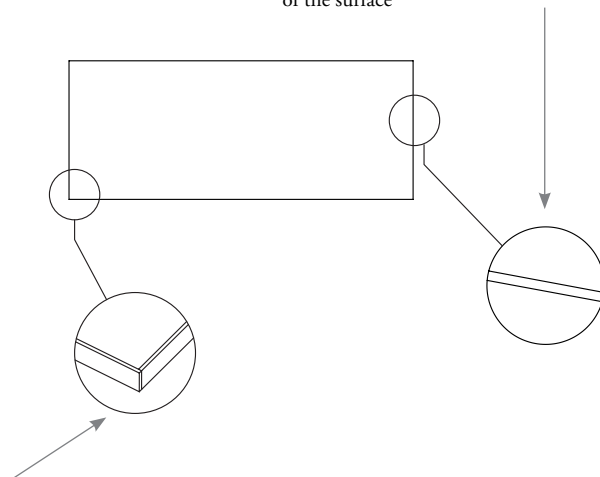
- District workspaces are available with flat and full knife edge profiles



- All sides of the workspace have the same edge profile (both the user back and return edges of a full knife edge workspace have the full knife edge profile). This reduces the instances of a workspace becoming handed

- Workspaces are **not** offered with an eased edge so that gutters are **not** created when workspaces are butted up against each other
- The edge profile does **not** affect the placement of supports

- A Seamless workspace finish does **not** have an edge trim; the finish continues around the edge of the surface

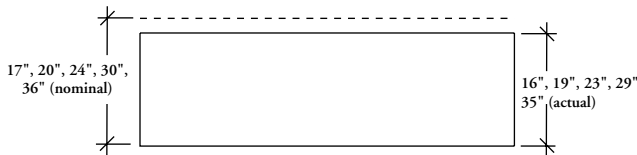


- Workspace outside corners are **not** radiused. Edge trims meet at 90° at the outside corners of a workspace

planning with worksurface gaps

The following should be considered when planning for gapping on worksurfaces.

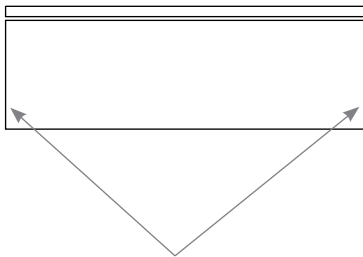
worksurface depths



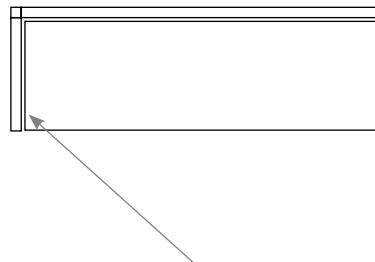
- All worksurfaces have **nominal** depths (the actual depth is 1" less than the nominal depth) to allow for a gap at the back
- The gap is **not** optional, it is the standard configuration
- The gap is for cable management, access to electrics and alignment with storage and panel walls (International electrics may require a grommet to be specified to accommodate larger sized plugs). Grommets available in center, left or right side

worksurface widths

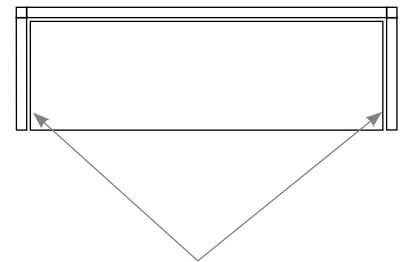
District worksurfaces are available in 1" increment widths to allow for a continuous gap around all sides of a workstation bounded by panel walls.



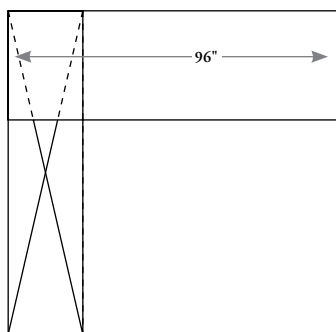
Worksurface is specified at same width as panel because no gap is required on either end



Worksurface is specified 1" less than width of panel to allow a gap on one side only



Worksurface is specified 2" less than the panel width to allow a gap on both sides

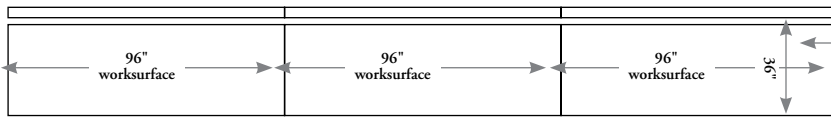


For freestanding applications, gapping is **not** an issue, so a full width worksurface should be specified.

planning with worksurface gaps (continued)

The following examples demonstrate a variety of typical gapping applications.

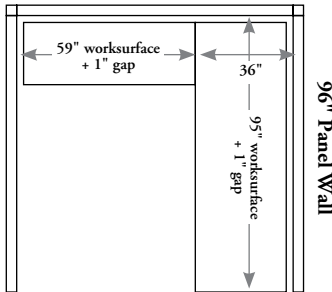
96" Panel Walls



The depth is always nominal so the 36" depth is actually 35" with a 1" gap.

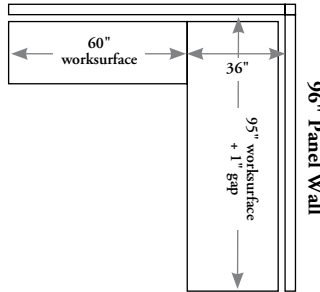
Full width worksurfaces are used because no return panel walls are used on the sides.

96" Panel Wall



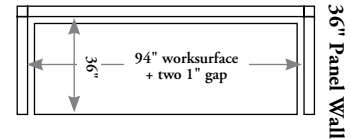
Both worksurfaces are 1" less than the width of the panel walls.

96" Panel Wall



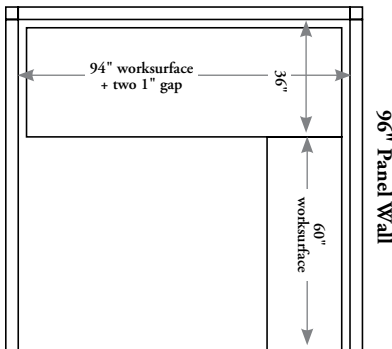
Only the primary surface is 1" less than the width of the panel wall, because there is no gap on the return surface.

96" Panel Wall



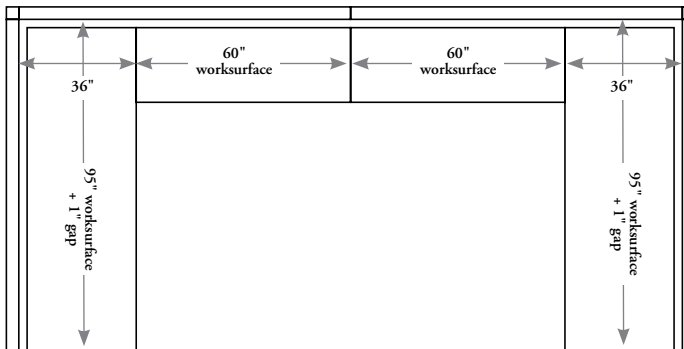
Worksurface is 2" less than the width of the panel wall to allow for a gap on either side.

96" Panel Wall



The primary worksurface is wrapped on both sides by panels so it is 2" less than the width of the panel, the return remains the full width.

96" Panel Wall

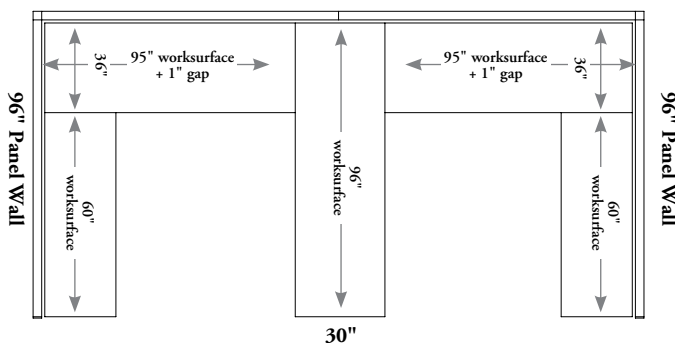


The two returns meet each other in the center so no gaps are required.

96" Panel Wall

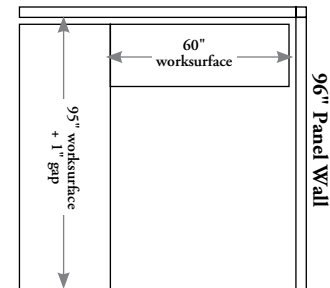
48"

96" Panel Wall



The center worksurface and return remains the full panel width and the outside primary surfaces have a 1" gap.

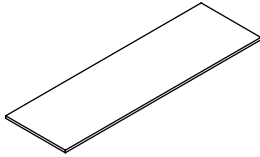
96" Panel Wall



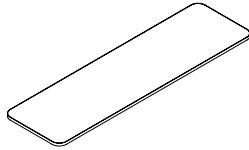
When a semi-suspended worksurface is used, it should be aligned with the panel end. The 1" gap then moves to the corner without having to reduce the return surface by 1".

planning with small footprint worksurfaces

District provides a limited collection of Small Footprint Worksurfaces that optimize efficiency within small scale workstation layouts.



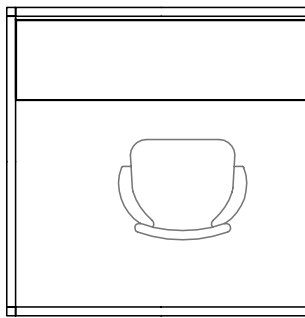
Rectangle Worksurface (UNWR)



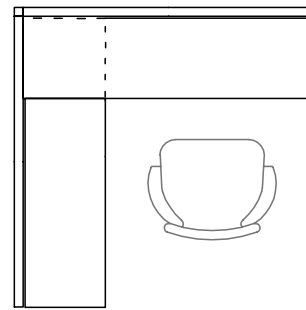
Rectangle with Radius Corners Worksurface (UNWC)

- Worksurfaces are available in depths of 17" to allow for maximum planning capability in temporary or permanent address workstations

rectangular worksurfaces



- 17" deep surfaces provide adequate chair space in 5' x 5' workstations



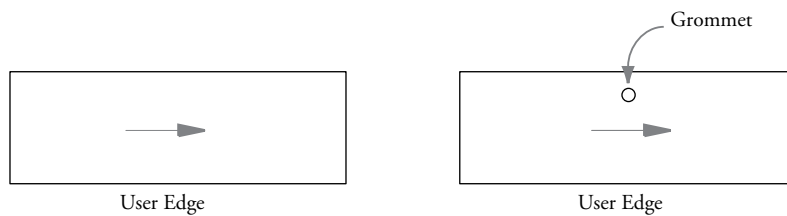
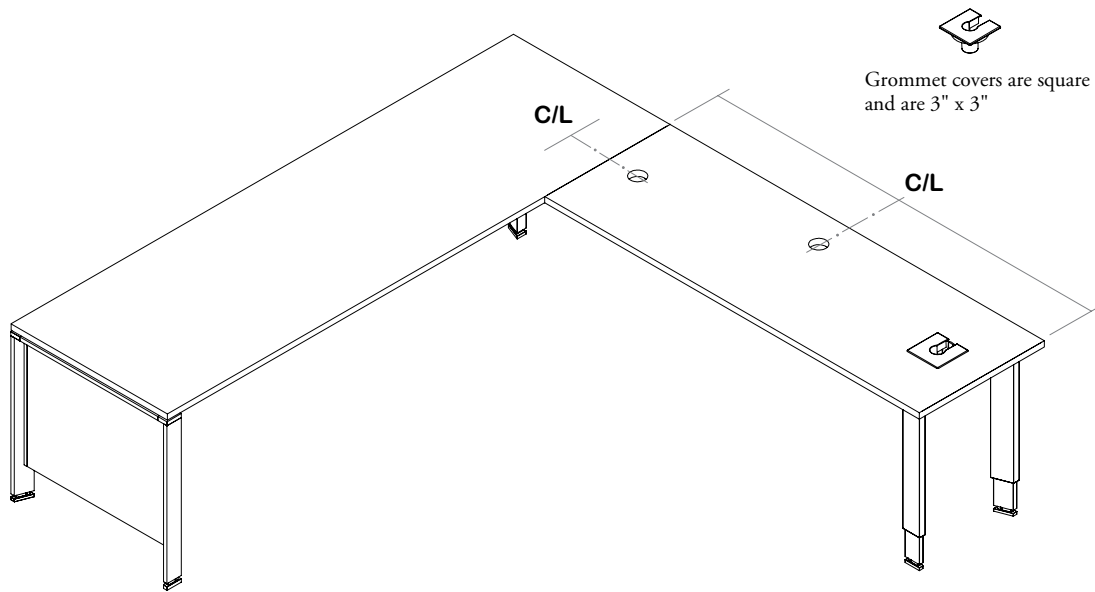
- When worksurfaces are requires above a 16" deep low storage, the cabinet depths will align

planning with grommets

The following needs to be considered when selecting grommets

worksurfaces combined with supports

Grommets can be located left, right or centered. The left and right grommets are centered on the depth to avoid interference with supports. See *Supports* for more details.



- Careful attention must be given to worksurfaces with a grain direction
- For surfaces with no grommet the grain direction should be going from left to right to match surface with grommets

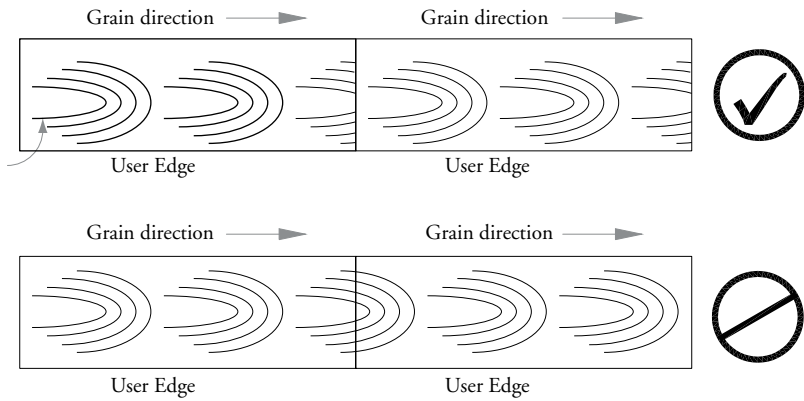


worksurface grain/pattern direction

Attention to grain/pattern direction is important when planning worksurfaces.

- There is no user edge so care must be taken during installation to match grain/pattern direction
- Grain/patterns are **not** “centered” on worksurface or support
- Applies to Foundation Laminate (wood grain patterns), Flintwood (Standard and Cathedral) and Natural Veneer

worksurfaces



- Grain direction will appear in the same direction, from side to side
- For Cathedral Flintwoods and Natural Veneers the grain will run from left to right from the user's prospective
- Grain patterns are **not** centered on worksurface
- Includes Laminate, Flintwood (Standard and Cathedral) and Natural Veneers



worksurface grain/pattern direction (continued)

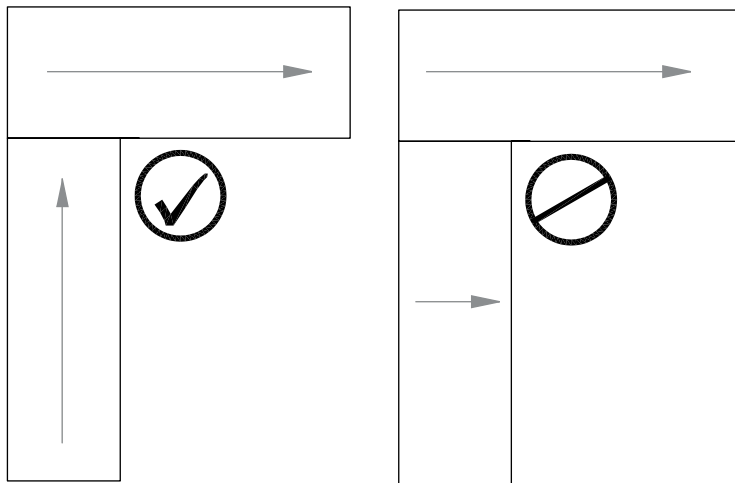
Attention to grain/pattern direction is important when planning worksurfaces. The following examples demonstrate this.

- There is no user edge so care must be taken upon installation to match grain/pattern direction
- Grain/patterns are **not** “centered” on worksurface or support
- Includes Foundation Laminate, Flintwood (Standard and Cathedral) and Natural Veneer

128

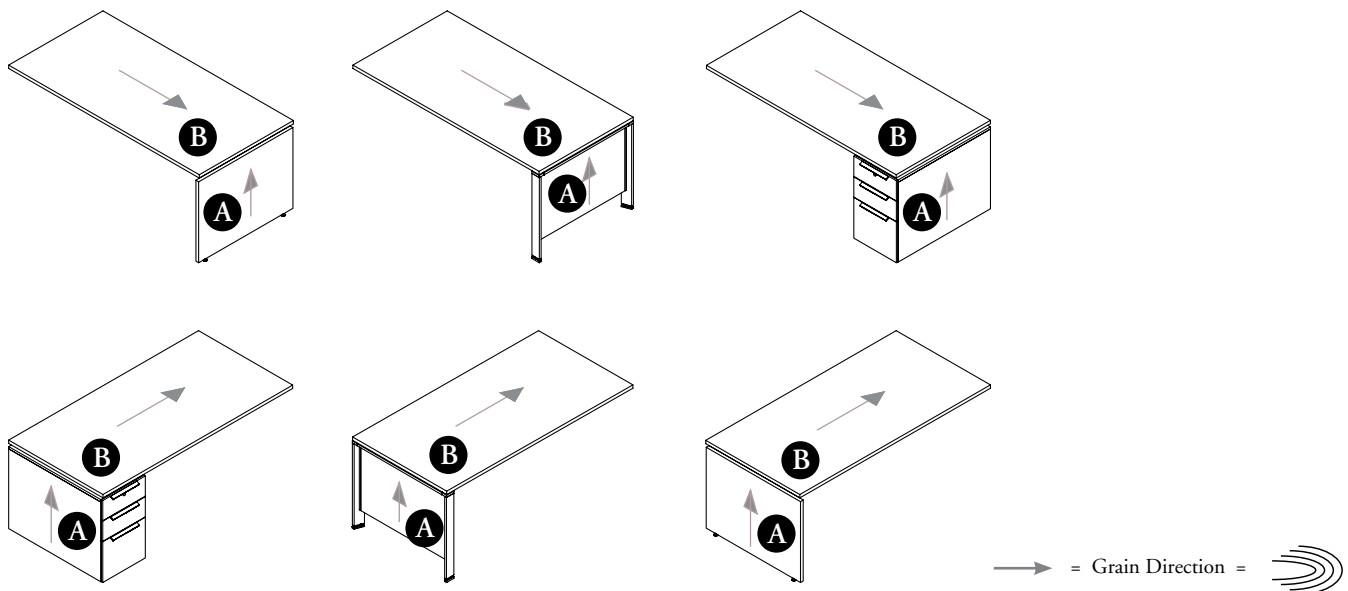
bridge worksurfaces

District does **not** offer a bridge worksurface so grain direction changes will always occur



worksurfaces combined with supports


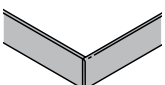

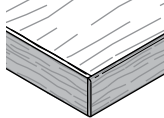
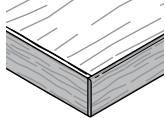
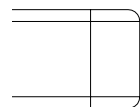
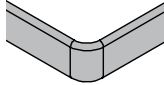
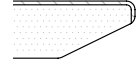
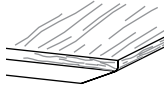
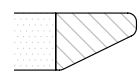

- Grain direction on Supports is always vertical
- For Cathedral Flintwoods and Natural Veneers the grain runs from bottom to top
- There is no matching grain across Supports (A) and Worksurfaces (B)



edge trim style overview

The chart below indicates which edge trim style can be specified with each District worksurface finish.

Both user edge and non-user edges have the same edge trim style.

		Foundation Laminate Surface	Seamless Color Surface	Flintwood Surface	Natural Veneer Surface
Flat (8) All Edges			n/a	n/a	n/a
Flintwood Flat (9) All Edges		n/a	n/a		
Flat (G) All Edges		n/a		n/a	n/a
Full Knife (H) User Edge		*	n/a	*	
Full Knife (X) User Edge		n/a		n/a	n/a

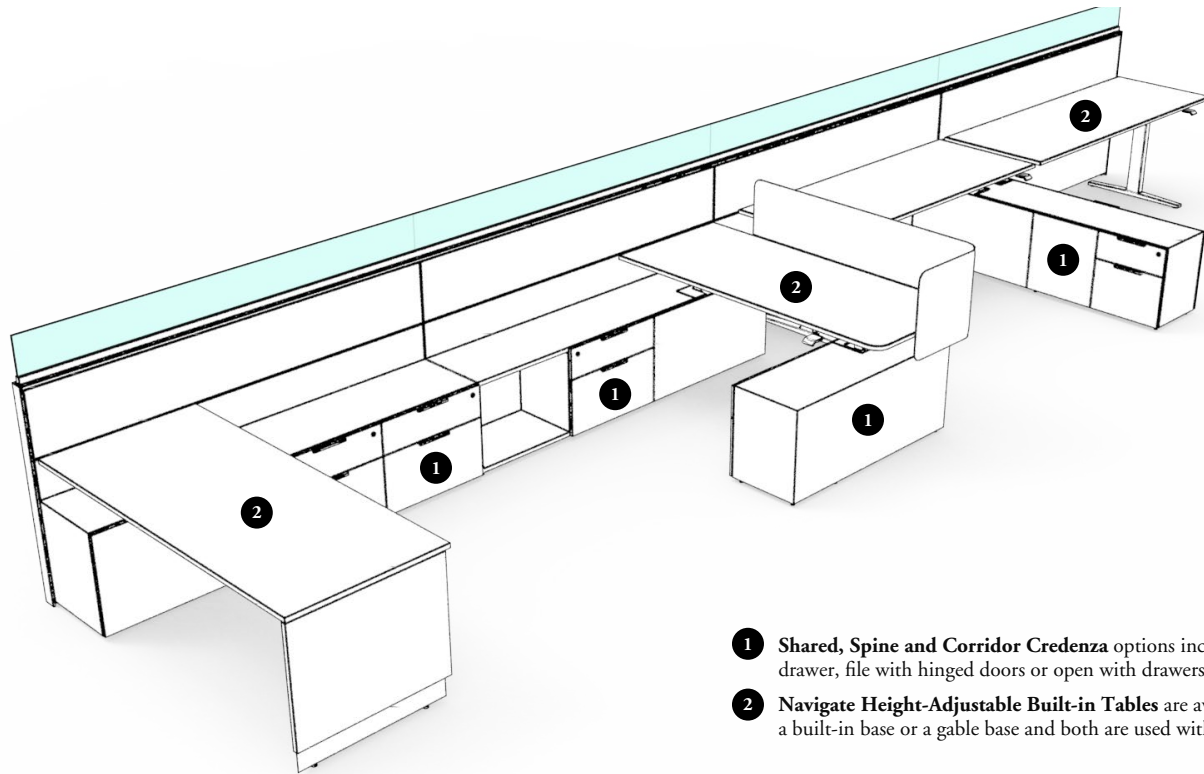
height-adjustability

height-adjustability

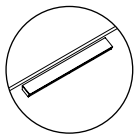
UNDERSTANDING HEIGHT-ADJUSTABILITY	132
NAVIGATE HEIGHT-ADJUSTABLE TABLES OVERVIEW.	133
NAVIGATE HEIGHT-ADJUSTABLE BUILT-IN PERPENDICULAR TABLE BASICS	134
NAVIGATE HEIGHT-ADJUSTABLE BUILT-IN PARALLEL TABLE BASICS	135
NAVIGATE HEIGHT-ADJUSTABLE BUILT-IN FREESTANDING TABLE BASICS	136
PLANNING WITH HEIGHT-ADJUSTABLE TABLES	137
CREDENZAS FOR HEIGHT-ADJUSTABLE TABLES OVERVIEW . . .	145
CREDENZAS FOR HEIGHT-ADJUSTABLE TABLE BASICS.	146
HEIGHT-ADJUSTABLE CREDENZA DRAWER WIDTHS	147
PLANNING WITH CREDENZAS FOR HEIGHT-ADJUSTABLE TABLES	149
NAVIGATE HEIGHT-ADJUSTABLE TABLES WITH SCREENS OVERVIEW.	154
PLANNING WITH NAVIGATE HEIGHT-ADJUSTABLE TABLES AND SCREENS	155
HEIGHT-ADJUSTABLE CREDENZA LOCK CHART	161

understanding height-adjustability

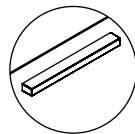
District provides a variety of height-adjustable desking options which include credenzas and height-adjustable worksurfaces. The following outlines the various storage and worksurface options that are available.



- 1** Shared, Spine and Corridor Credenza options include full drawer, file with hinged doors or open with drawers
- 2** Navigate Height-Adjustable Built-in Tables are available with a built-in base or a gable base and both are used with credenzas



District Handle Pull



Rectangular Handle Pull

Two handle styles are available on District credenzas for height-adjustability.

Finishes

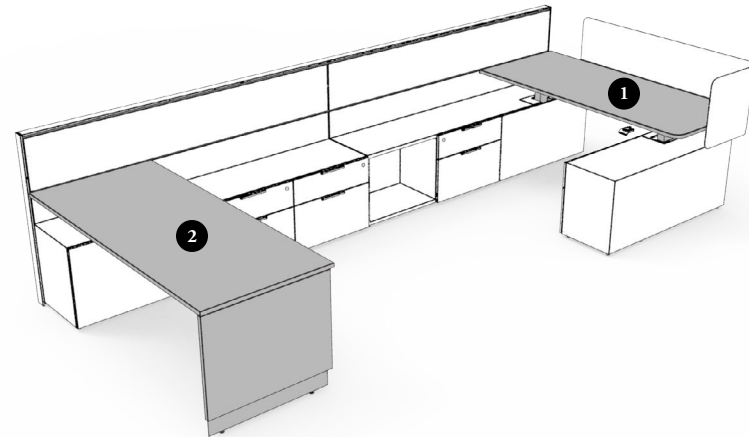
- All storage is available in
 - Seamless Colors
 - Laminate
 - Flintwood
 - Wood Veneer
- When Laminate case is specified, the sides and back of the cabinets will both be Laminate, and the fronts can be Laminate or Flintwood
- When Seamless, Flintwood or Veneer cases are specified, the backs and fronts can all be different wood finishes, the fronts cannot be Laminate
- Handles are available in Foundation, Mica and Accent. Feet are available in Storm White (Q), Platinum (7), Very White (V), Anthracite (X), Graphite (M) M) and Burnished Bronze
- Grommets are finished in Die Cast Aluminum

navigate height-adjustable tables overview

District height-adjustable tables and credenzas can be planned in both parallel and perpendicular applications.

perpendicular planning with height-adjustable tables

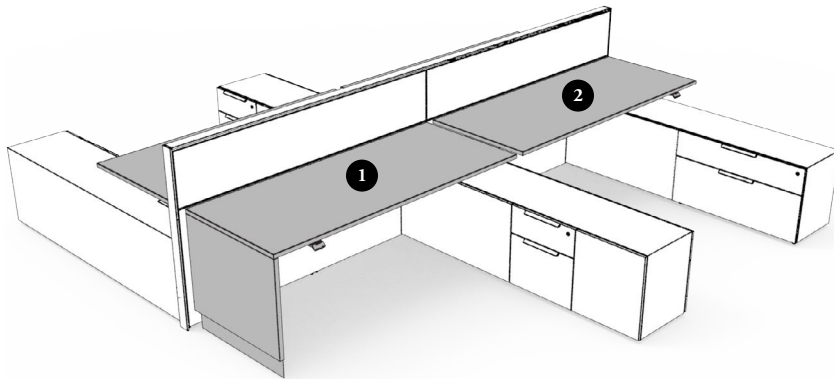
Height-adjustable tables run perpendicular to the panel spine with credenzas running parallel to the spine.



- 1 Perpendicular Rectangular Height-Adjustable Built-in Worksurface with Two Radius Corners (WMD) and Navigate Height-Adjustable Built-in Base for Perpendicular Planning (YGD)
- 2 Perpendicular Rectangular Height-Adjustable Built-in Worksurface (WLD) and Navigate Height-Adjustable Built-in Gable Base for Perpendicular Planning (YVD)

parallel planning with height-adjustable tables

Height-adjustable tables run parallel to the panel spine with credenzas running perpendicular off of the spine.



- 1 Parallel Rectangular Height-Adjustable Built-in Worksurface (WHD) and Navigate Height-Adjustable Built-in Gable Base for Parallel Planning (YWD)
- 2 Parallel Rectangular Height-Adjustable Built-in Worksurface (WHD) and Navigate Height-Adjustable Built-in Gable Base for Parallel Planning (YHD)

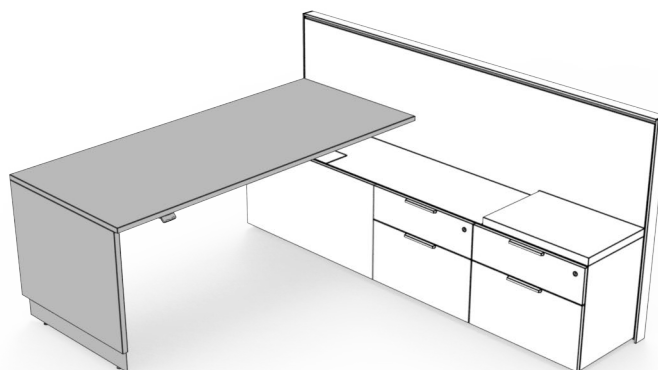
navigate height-adjustable built-in perpendicular table basics

District offers a variety of options for height-adjustable planning in perpendicular applications.

District Navigate Tables are specified in two steps:

1. Select the desired worksurface
2. Select the base to match the specified worksurface size
3. Make certain that 3-digit Leg Application codes match to ensure proper fit

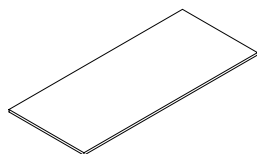
I34



Perpendicular Rectangular Height-Adjustable Built-in Worksurface (WLD) and Navigate Height-Adjustable Built-in Gable Base - Perpendicular Planning (YVD)(Shown)

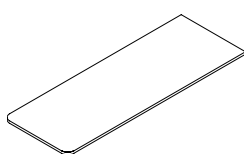
Height-Adjustable tables can be planned the following applications:

- One leg in spine credenza, and open on corridor side
- One leg in spine credenza, corridor side in corridor credenza



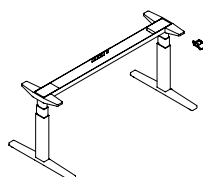
Perpendicular Rectangular Height-Adjustable Built-in Worksurface (WLD)

- A worksurface with rectangular edges that can be used with:
 - Built-in Bases, Perpendicular Planning
 - Built-in Gable Base - Perpendicular Planning
- Depths: 30"
- Widths: 65", 71", 77" and 83"
- Grommet Cut Out Styles:
 - Round (2-3/4" diameter)



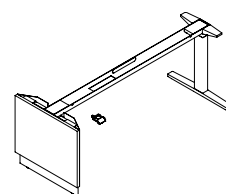
Perpendicular Rectangular Height-Adjustable Built-in Worksurface with Two Radius Corners (WMD)

- A worksurface with radius corners that can be used with:
 - Built-in Bases, Perpendicular Planning
- Depths: 30"
- Widths: 65", 71", 77" and 83"
- Grommet Cut Out Styles:
 - Round (2-3/4" diameter)



Navigate HA Built-in Base - Perpendicular Planning (YGD)

- A height-adjustable table base that is to be used with:
 - Rectangular Height-Adjustable Worksurface, Perpendicular Planning
 - Rectangular Height-Adjustable Worksurface with Two Radius Corners, Perpendicular Planning
- Depths (to work with worksurface depth): 30"
- Width (to work with worksurface width): 65", 71", 77", 83"
- Leg Styles: T-Leg (30" deep)
- Base Mechanism
 - Standard Range Electric (27" - 43")
 - Extended Range Electric - Restricted (25" - 48.7")
- Switch Styles:
 - Standard Up/Down
 - Display with Up/Down Memory
 - Toggle Up/Down
 - Display Toggle with Memory and Navigate GPS



Navigate HA Built-in Gable Base - Perpendicular Planning (YVD)

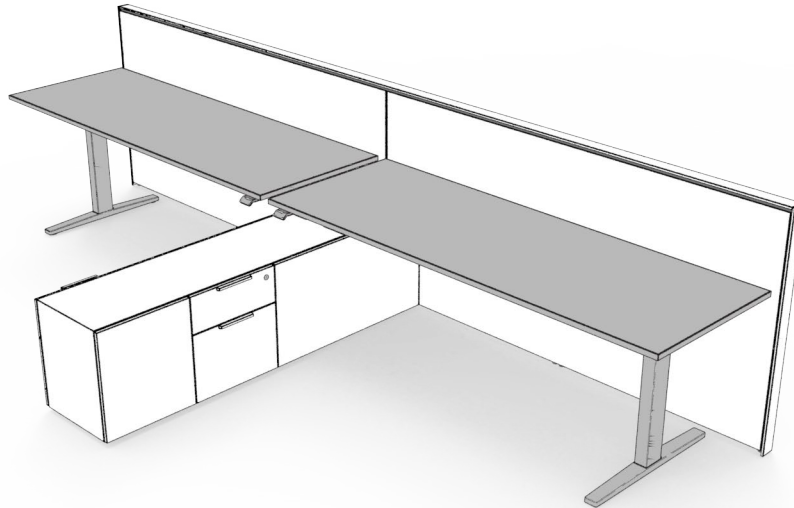
- A height-adjustable base with integrated gable leg that is to be used with:
 - Rectangular Height-Adjustable Worksurface, Perpendicular Planning
- Depths (to work with worksurface depth): 30"
- Width (to work with worksurface width): 53", 59", 65", 71", 77" 83"
- Leg Styles: Gable Leg (30" deep)
- Base Mechanism
 - Standard Range Electric (27" - 43")
 - Extended Range Electric - Restricted (25" - 48.7")
- Switch Styles:
 - Standard Up/Down
 - Display with Up/Down Memory
 - Toggle Up/Down
 - Display Toggle with Memory and Navigate GPS

navigate height-adjustable built-in parallel table basics

District offers a variety of options for height-adjustable planning in parallel applications.

District Navigate Tables are specified in two steps:

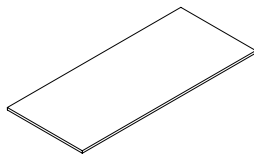
1. Select the desired worksurface
2. Select the base to match the specified worksurface size
3. Make certain that 3-digit Leg Application codes match to ensure proper fit



Parallel Rectangular Height-Adjustable Built-in Worksurface (WHD) and Navigate Height-Adjustable Built-in Gable Base - Parallel Planning (YHD) (Shown)

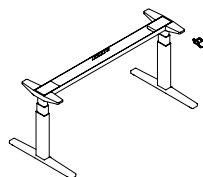
Height-Adjustable tables can be planned the following applications:

- One leg in shared credenza, and open on corridor side
- One leg in shared credenza, corridor side in perpendicular credenza



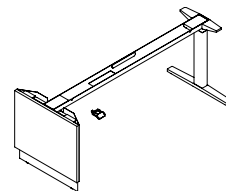
Parallel Rectangular Height-Adjustable Built-in Worksurface (WHD)

- A worksurface with rectangular edges that can be used with:
 - Built-in Bases, Parallel Planning
 - Built-in Gable Base - Parallel Planning
- Depths: 29"
- Widths: 52", 58", 64", 70", 76", 82"
- Grommet Cut Out Styles:
 - Round (2-3/4" diameter)



Navigate HA Built-in Base - Parallel Planning (YHD)

- A height-adjustable table base that is to be used with:
 - Rectangular Height-Adjustable Worksurface, Parallel Planning
- Depths (to work with worksurface depth): 29"
- Width (to work with worksurface width): 65", 71", 77", 83"
- Leg Styles: T-Leg (30" deep)
- Base Mechanism
 - Standard Range Electric (27" - 43")
 - Extended Range Electric - Restricted (25" - 48.7")
- Switch Styles:
 - Standard Up/Down
 - Display with Up/Down Memory
 - Toggle Up/Down
 - Display Toggle with Memory and Navigate GPS



Navigate HA Built-in Gable Base - Parallel Planning (YWD)

- A height-adjustable base with integrated gable leg that is be used with:
 - Rectangular Height-Adjustable Worksurface, Parallel Planning
- Depths (to work with worksurface depth): 29"
- Width (to work with worksurface width): 53", 59", 65", 71", 77" 83"
- Leg Styles: Gable Leg (30" deep)
- Base Mechanism
 - Standard Range Electric (27" - 43")
 - Extended Range Electric - Restricted (25" - 48.7")
- Switch Styles:
 - Standard Up/Down
 - Display with Up/Down Memory
 - Toggle Up/Down
 - Display Toggle with Memory and Navigate GPS

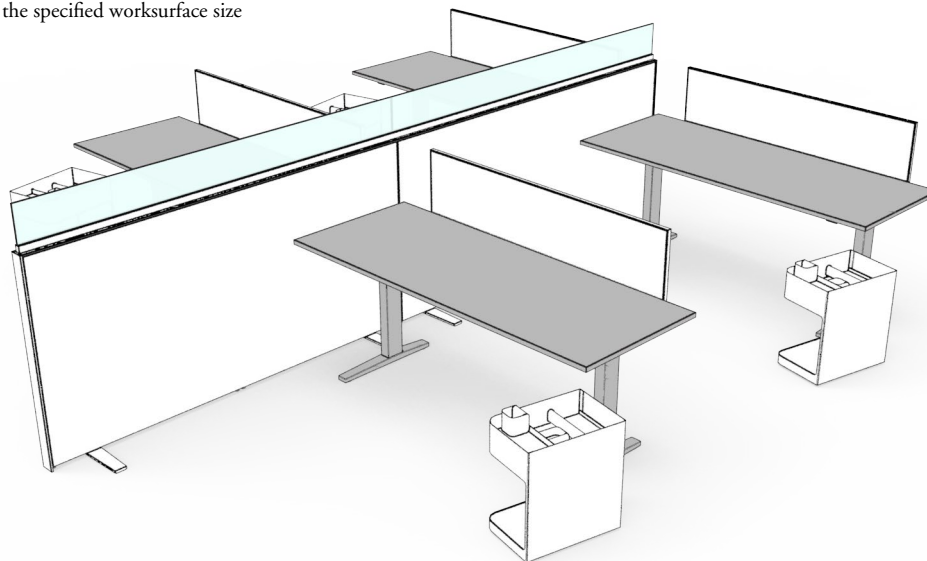
navigate height-adjustable built-in freestanding table basics

District offers a variety of options for height-adjustable planning in freestanding applications.

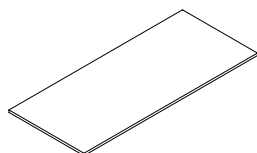
District Navigate Tables are specified in two steps:

1. Select the desired worksurface
2. Select the base to match the specified worksurface size

136

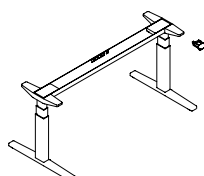


Freestanding Table Rectangular Height-Adjustable Worksurface (WBD) and Navigate Freestanding Table Base (YAD) (Shown)



Freestanding Table Rectangular Height-Adjustable Worksurface (WBD)

- A worksurface with rectangular edges that can be used with:
 - Built-in Base, Freestanding Planning
- Depths: 23", 29" and 35"
- Widths: 45", 51", 57", 63", 69", 75" and 81"
- Grommet Cut Out Styles:
 - Round (2-3/4" diameter)



Navigate Freestanding Table, Base Only (YAD)

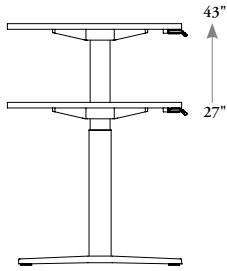
- A height-adjustable table base that is to be used with:
 - Rectangular Height-Adjustable Worksurface, Parallel Planning
- Depths (to work with worksurface depth): 23", 29" and 35"
- Width (to work with worksurface width): 45", 51", 57", 63", 69", 75" and 81"
- Leg Styles: T-Leg (30" deep)
- Base Mechanism
 - Counterbalance - Standard (29.5" - 49.5")
 - Counterbalance - Lower Edition (26.5" - 43.5")
 - Standard - Electric (27" - 43")
 - Extended Electric - Restricted (25" - 48.7")
 - Extended Electric - Extended (22.6" - 48.7")
- Switch Styles:
 - Standard Up/Down
 - Display with Up/Down Memory
 - Toggle Up/Down
 - Display Toggle with Memory and Navigate GPS

planning with height-adjustable tables

The following should be taken into consideration when planning with height-adjustable tables.

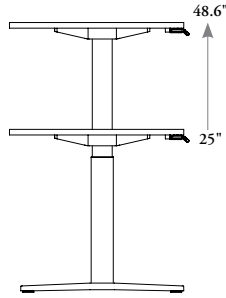
height-adjustment range

- District Navigate Worksurfaces and Bases are available with two height-adjustment ranges
- The worksurface type must match the base type



Standard Electric

- Minimum Height: 27"
- Maximum Height: 43"



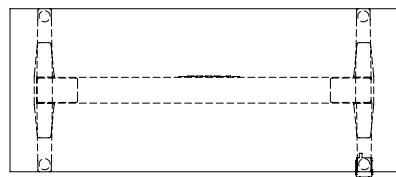
Extended Electric - Restricted

- Minimum Height: 25"
- Maximum Height: 48.6"
- Minimum height is restricted so it does not interfere with a credenza.

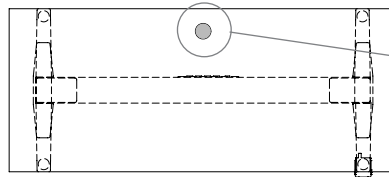
cut outs and grommets

Cut outs with grommets are used to direct wires to the underside of the desk so they can be plugged into an under worksurface power bar or directed to a District panel. Only the cut out is included in the worksurface, grommets must be ordered separately.

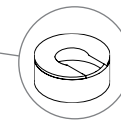
The following cut out locations can be specified:



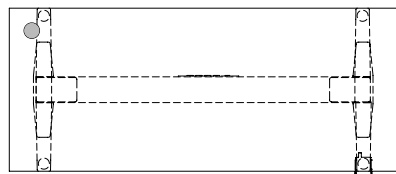
No Cut Out



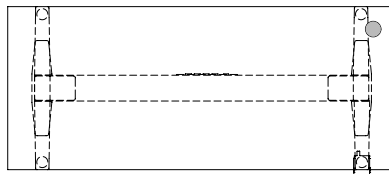
Round Cut Out, Center



UNDG (Die Cast Grommet)
(Ordered separately)

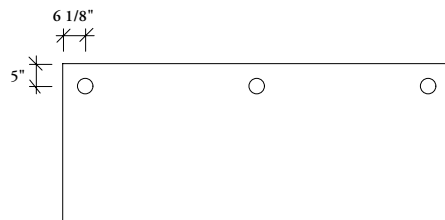


Round Cut Out, Left



Round Cut Out, Right

The following outlines the location of the grommet cut outs:



Center cut out is always centered on worksurface.

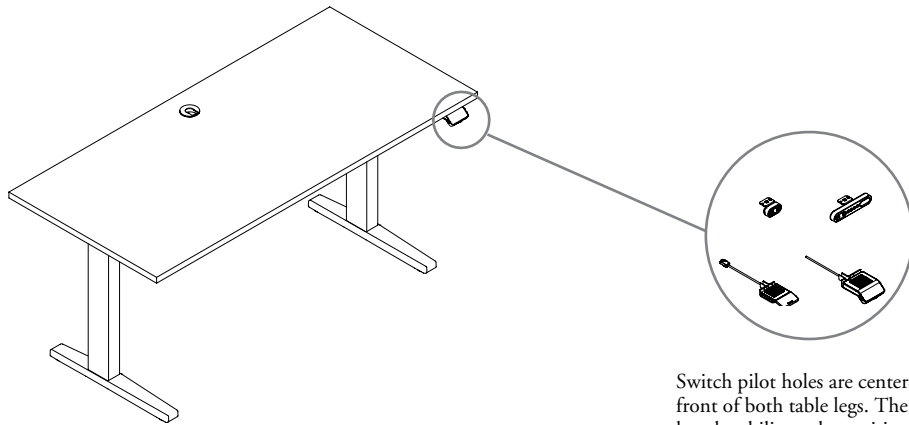
Left and right cut outs are 5" from edge for 30" deep worksurfaces and 3" for 29" deep worksurfaces.

planning with height-adjustable tables (continued)

switches

There are four switches available when specifying Navigate Height-Adjustable Tables.

138



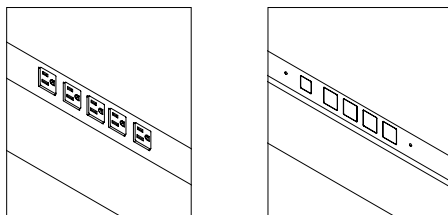
Switch Finishes:

- Standard Up/Down and Display with Up/Down Memory:
 - Ebony Coordinate
- Toggle Up/Down and Display Toggle with Memory and Navigate GPS:
 - Anthracite
 - Platinum
 - Crisp Grey

Switch pilot holes are centered in front of both table legs. The switch has the ability to be positioned on the left or right.

power bars

There is an optional Cross Channel Integrated Power Bar which is mounted under the worksurface in the cross channel.



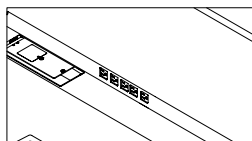
- Available on worksurfaces with 53" - 83" widths
- Includes four outlets and one internal cord to provide power both the table controls and the power bar

If no Cross Channel Integrated Power Bar is specified, a cover plate will be provided.

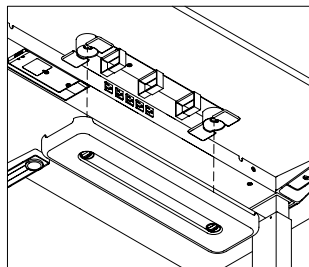
planning with height-adjustable tables (continued)

under surface cable manager

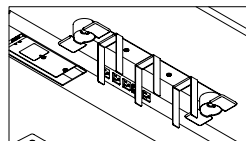
There are five options when specifying the under surface cable manager:



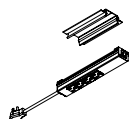
None



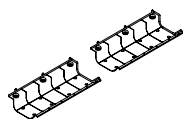
Cable organization with felt cover
(Only available on worksurface depths 31")



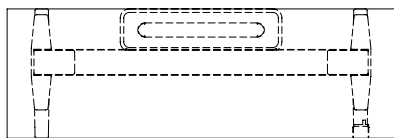
Cable organization with no cover



Dual plastic trays, power bar and under surface mount



Dual plastic trays



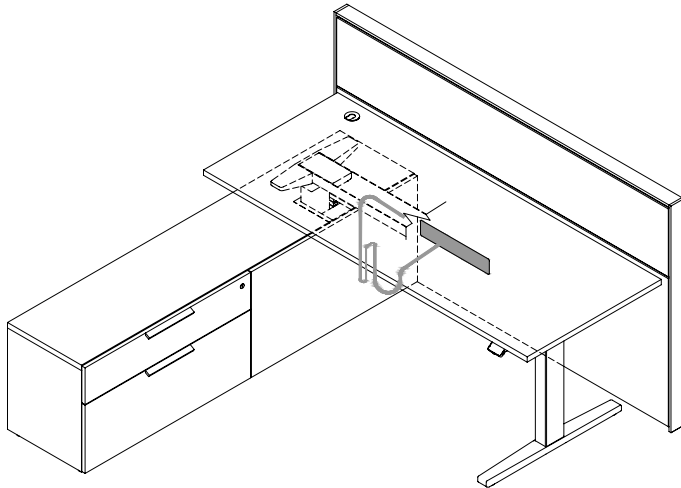
Cable organization with felt cover is not compatible on 23" deep Navigate Freestanding Height-Adjustable Tables.

planning with height-adjustable tables (continued)

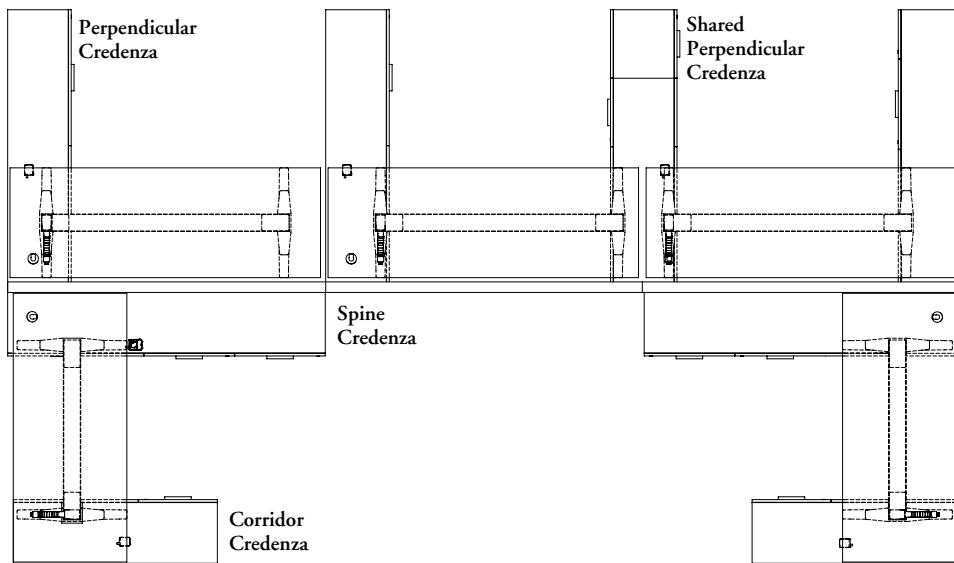
e-chains

E-chains can be specified on Navigate Height-Adjustable Built-in Bases and come with a mounting bracket.

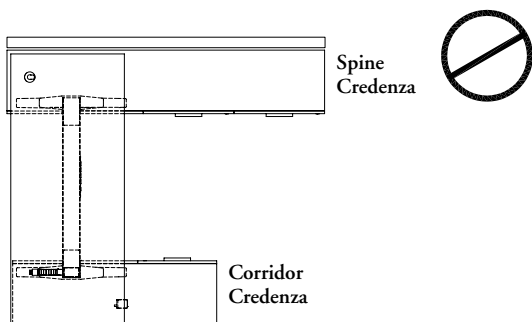
140



If an e-chain is specified, it is recommended that it be planned within a credenza.

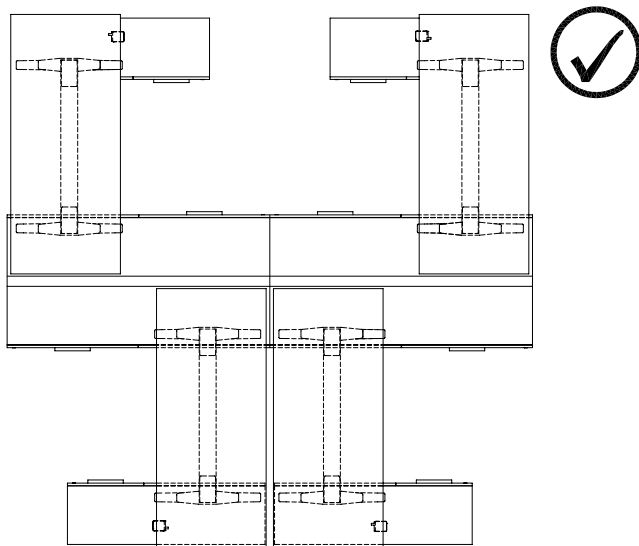


E-chains cannot be planned within a Parallel Corridor Credenza (UPCC).

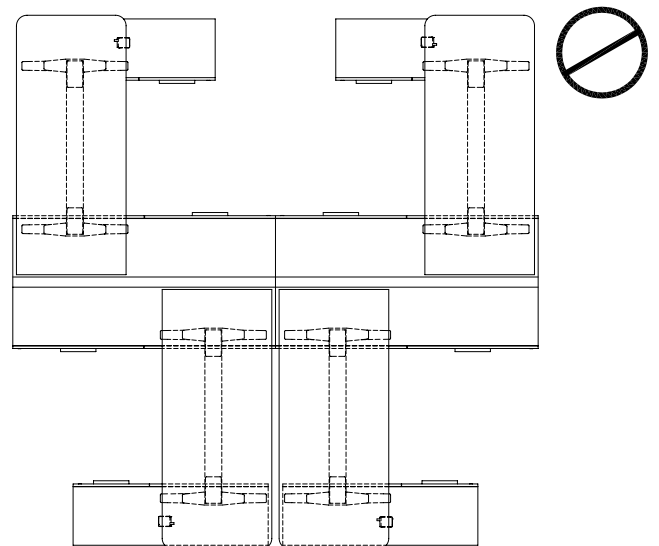


planning with height-adjustable tables (continued)

perpendicular planning with worksurfaces

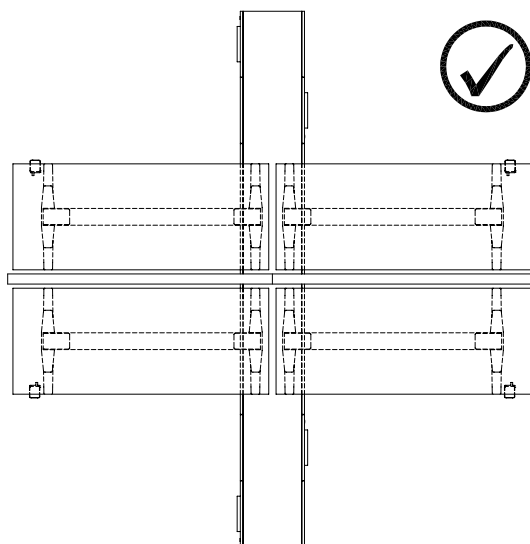


Planning with Perpendicular Rectangular Height-Adjustable Built-in Worksurfaces to the panel spine

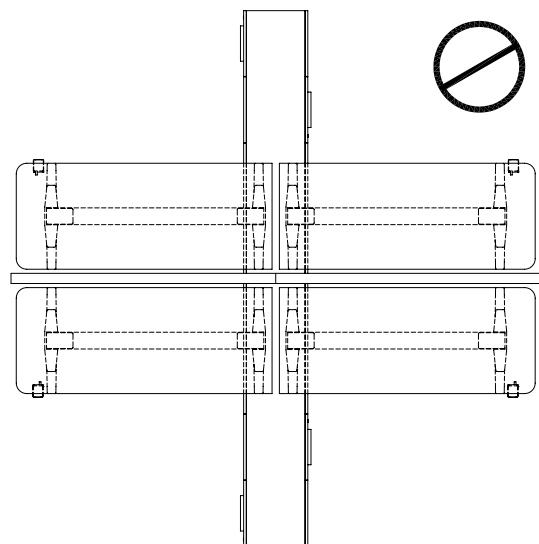


Planning with Perpendicular Rectangular Height-Adjustable Built-in Worksurfaces with Two Radius Corners to the panel spine

parallel planning with worksurfaces



When planning with worksurfaces parallel to the spine, only Parallel Rectangular Height-Adjustable Built-in Worksurface (WHD) can be specified



It is not recommended to use Perpendicular Rectangular Height-Adjustable Built-in Worksurface with Two Radius Corners (WMD) perpendicular to the panel spine

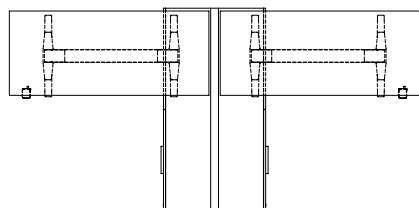
planning with height-adjustable tables (continued)

perpendicular worksurfaces and height-adjustable table bases

District height-adjustable table bases have options for the leg location in order to accommodate the applications they are being used in.

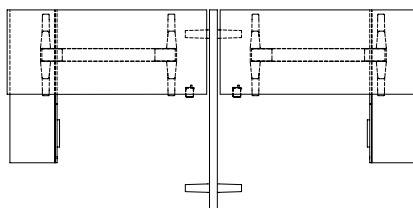
In order to specify the correct worksurface to match the height-adjustable base, it is required to know the leg application of the workstation beforehand.

I42



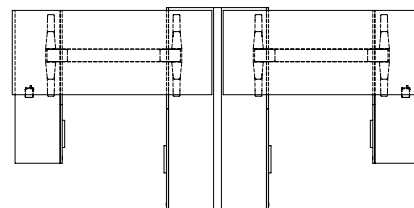
TSL
Left Leg in Corridor,
Right Leg in Parallel
Spine Credenza

TSR
Right Leg in Corridor,
Left Leg in Parallel
Spine Credenza



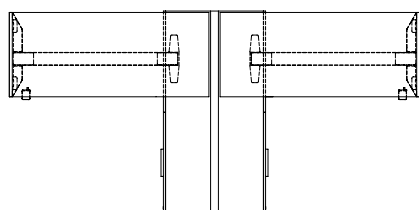
TCL
Left Leg in Parallel
Corridor Credenza,
Right Leg along Panel

TCR
Right Leg in Parallel
Corridor Credenza,
Left Leg along Panel



TBL
Left Leg in Parallel
Corridor Credenza,
Right Leg in Parallel
Spine Credenza

TBR
Right Leg in Parallel
Corridor Credenza,
Left Leg in Parallel
Spine Credenza



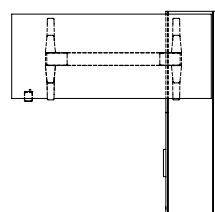
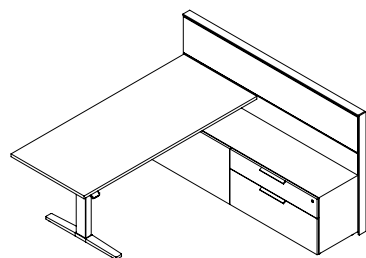
GSL
Left Leg is Gable Leg
in Corridor, Right
Leg in Parallel Spine
Credenza

GSR
Right Leg is Gable
Leg in Corridor, Left
Leg in Parallel Spine
Credenza

Once the application has been chosen, the worksurface is then specified to match the height-adjustable table base.

The following is an example of how to specify a height-adjustable table that is perpendicular to the spine.

Make certain that 3-digit Leg Application codes match to ensure proper fit.



TSL (Leg Application code)
Left Leg in Corridor,
Right Leg in Parallel Spine
Credenza

Navigate Height-Adjustable Built-in Base Perpendicular Planning - YGDTSL7S31711

Height-Adjustable Base Type	Leg Application	Base Mechanism	Base Depth	Base Width	Undersurface Cable Manager
YGD	TSL / TSR	7S	31"	65"	1
	TCL / TCR	9C		71"	
	TBL / TBR			77"	
	GSL / GSR			83"	

Perpendicular Rectangular Height-Adjustable Built-in Worksurface - WLDTSL7S3171NN

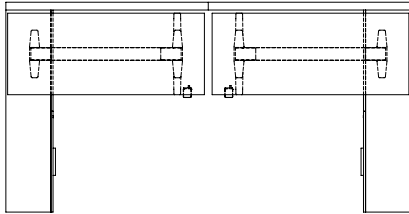
Worksurface Type	Leg Application	Base Mechanism	Worksurface Depth	Worksurface Width	Undersurface Cable Manager
WLD	TSL / TSR	7S	31"	53"	GC (Grommet, Center)
	TCL / TCR	9C		59"	GL (Grommet, Left)
	TBL / TBR			65"	GR (Grommet, Right)
	GSL / GSR			71"	NN (Grommet, None)
				77"	

planning with height-adjustable tables (continued)

parallel worksurfaces and height-adjustable table bases

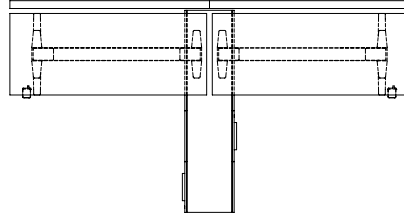
District height-adjustable table bases have options for the leg location in order to accommodate the applications they are being used in.

In order to specify the correct worksurface to match the height-adjustable base, it is required to know the leg application of the workstation beforehand.



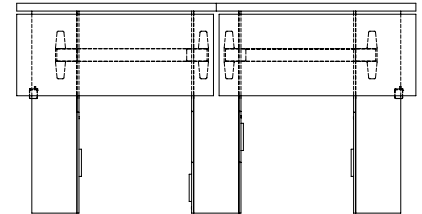
TZL
Left Leg in Credenza,
Right Leg in the
Middle

TZR
Right Leg in
Credenza, Left Leg in
the Middle



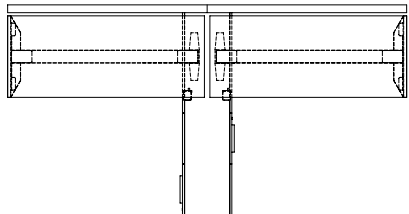
TDL
Left Leg Outside,
Right Leg in Shared
Perpendicular Credenza

TDR
Right Leg Outside, Leg
in Shared Perpendicular
Credenza



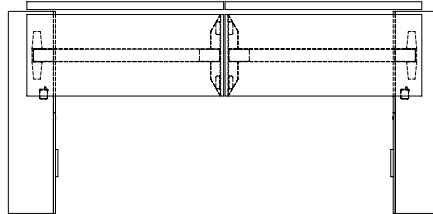
THL
Left Leg in
Perpendicular Credenza,
Right Leg in Shared
Perpendicular Credenza

THR
Right Leg in
Perpendicular
Credenza, Left Leg in
Shared Perpendicular



GDL
Left Gable Leg toward
the outside, Right
T-Leg in Shared
Perpendicular Credenza

GDR
Right Gable Leg toward
the outside, Left T-Leg
in Shared Perpendicular
Credenza



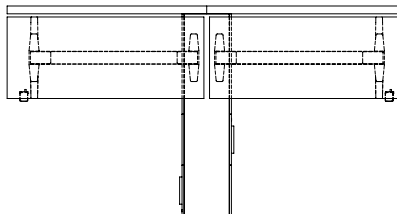
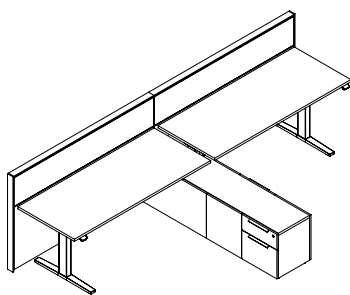
GZL
Left T-Leg in
Perpendicular
Credenza, Right Gable
Leg toward the middle

GZR
Right T-Leg in
Perpendicular
Credenza, Left Gable
Leg toward the middle

Once the application has been chosen, the worksurface is then specified to match the height adjustable table base.

The following is an example of how to specify a height-adjustable table that is perpendicular to the spine.

Make certain that 3-digit Leg Application codes match to ensure proper fit.



TDL (Leg Application code)
Left T-Leg in Perpendicular
Credenza, Right Gable Leg
toward the middle

Navigate Height-Adjustable Built-in Base Parallel Planning - YHDTDL7S29701

Height-Adjustable Base Type	Leg Application	Base Mechanism	Base Depth	Base Width	Undersurface Cable Manager
YHD	TZL / TZR	7S	29"	52"	1
	TDL / TDR	9C		58"	
	THL / THR			64"	
	GDL / GDR			70"	
	GZL / GZR			78"	
				82"	

Parallel Rectangular Height-Adjustable Built-in Worksurface - WLDTDL7S2970NN

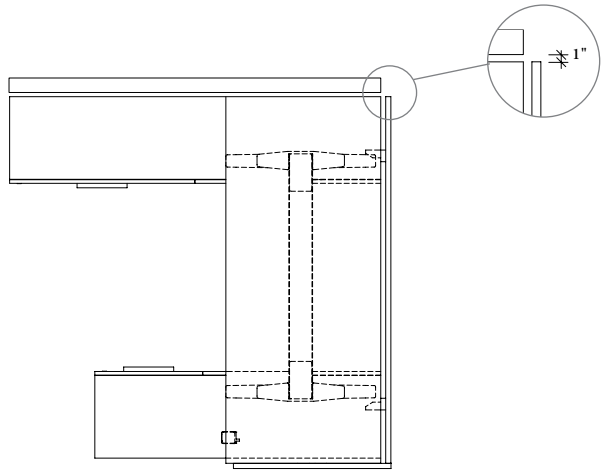
Worksurface Type	Leg Application	Base Mechanism	Worksurface Depth	Worksurface Width	Undersurface Cable Manager
WLD	TZL / TZR	7S	29"	52"	GC (Grommet, Center)
	TDL / TDR	9C		58"	GL (Grommet, Left)
	THL / THR			64"	GR (Grommet, Right)
	GDL / GDR			70"	NN (Grommet, None)
	GZL / GZR			78"	
				82"	

planning with height-adjustable tables (continued)

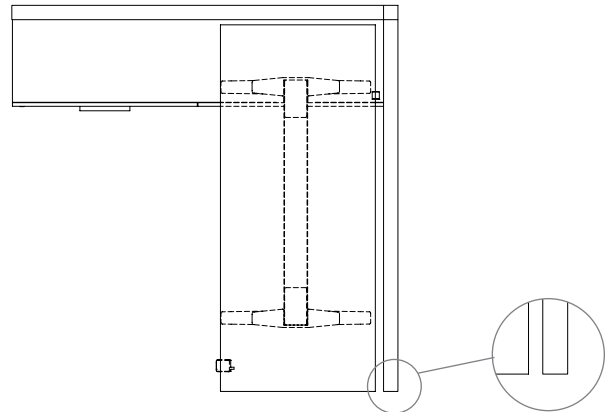
gapping

When planning with height-adjustable tables there will be a 1" gap between the worksurfaces and panels to avoid any pinch points.

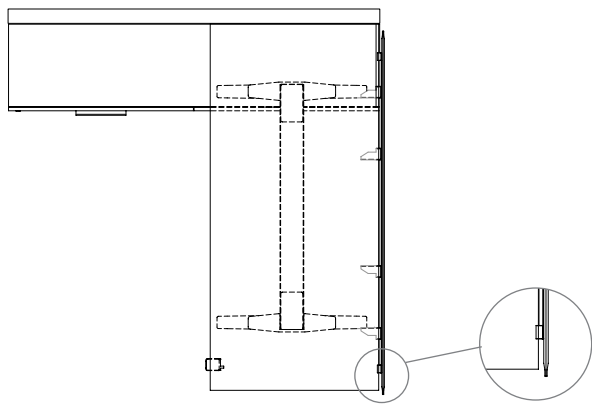
I44



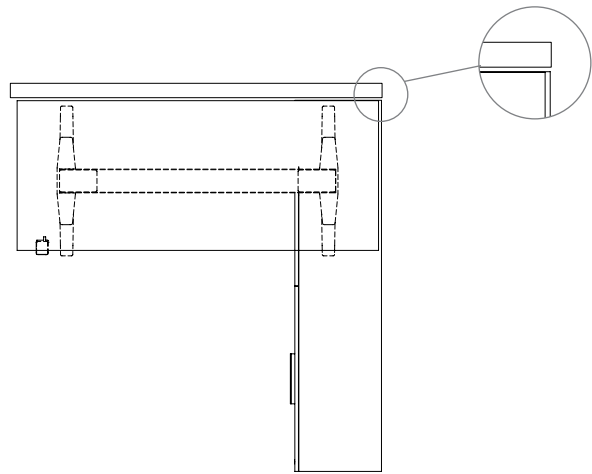
Perpendicular to spine Navigate
Height-Adjustable Table wrapped with Screens.



Perpendicular to spine Navigate
Height-Adjustable Table wrapped with a
Freestanding District Panel.



Perpendicular to spine Navigate
Height-Adjustable Table with Screen.



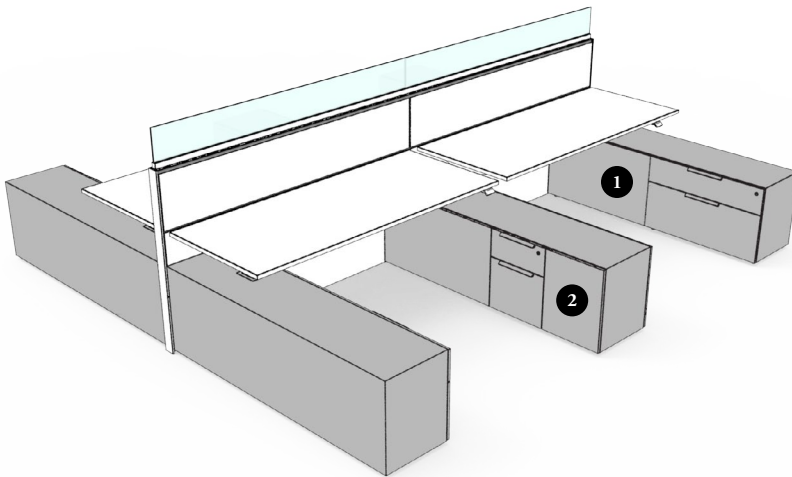
Parallel to spine Navigate Height-Adjustable Table.

credenzas for height-adjustable tables overview

When choosing a credenza for height-adjustable tables in District, there are two styles, perpendicular and parallel which are defined by the relationship of the credenza to the panel spine.

perpendicular credenzas

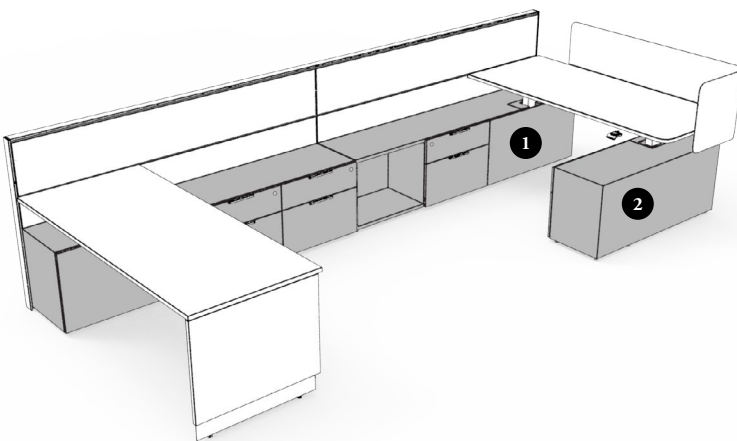
Credenzas run perpendicular to the panel spine with height-adjustable tables running parallel to the spine.



- 1 Perpendicular Credenza for Height-Adjustable Table - Full Drawer (UPPC)
- 2 Shared Perpendicular Credenza for Height-Adjustable Table (UPCS)

parallel credenzas

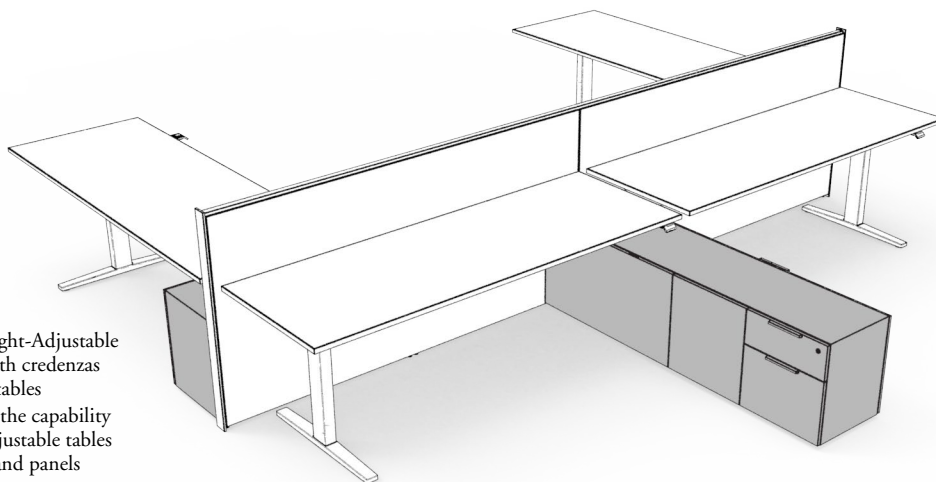
Credenzas run parallel to the panel spine with height-adjustable tables running perpendicular off of the spine.



- 1 Parallel Spine Credenza for Height-Adjustable Table - Open with Drawer (UPSC)
- 2 Parallel Corridor Credenza for Height-Adjustable Table (UPCC)

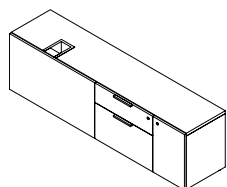
credenzas for height-adjustable table basics

District offers a variety of credenza options for height-adjustable planning in parallel and perpendicular applications.



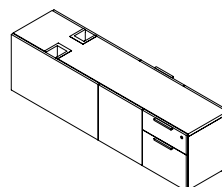
Shared Perpendicular Credenza for Height-Adjustable Table (UPCS) (Shown)

- District Navigate Height-Adjustable Tables can be used with credenzas for height-adjustable tables
- Provides storage with the capability to integrate height-adjustable tables and support stackers and panels
- Height: 21"
- Depth: 16"
- Leveling Range is -0.5" to +2.5"
- Lock option is standard locks



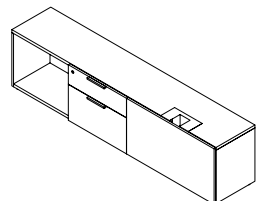
Perpendicular Credenza for Height-Adjustable Table (UPPC)

- Configurations:
 - Full Drawer
 - File with Hinged Door
- Can be used with:
 - Navigate Height-Adjustable Built-in Base - Parallel Planning
 - Navigate Height-Adjustable Built-in Gable Base -Parallel Planning
- Widths: 48", 54", 60", 66", 72"



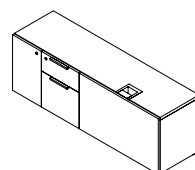
Shared Perpendicular Credenza for Height-Adjustable Table (UPCS)

- Can be used with:
 - Navigate Height-Adjustable Built-in Base - Parallel Planning
 - Navigate Height-Adjustable Built-in Gable Base -Parallel Planning
- Widths: 66", 72"



Parallel Spine Credenza for Height-Adjustable Table (UPSC)

- Configurations:
 - Full Drawer
 - Open with Drawer
- Can be used with:
 - Navigate Height-Adjustable Built-in Base - Perpendicular Planning
 - Navigate Height-Adjustable Built-in Gable Base - Perpendicular Planning
- Widths: 72", 78, 84



Parallel Corridor Credenza for Height-Adjustable Table (UPCC)

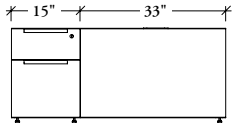
- Configurations:
 - Full Drawer
 - File with Hinged Door
- Can be used with:
 - Navigate Height-Adjustable Built-in Base - Perpendicular Planning
 - Navigate Height-Adjustable Built-in Gable Base -Perpendicular Planning
- Widths: 48", 54", 60"

height-adjustable credenza drawer widths

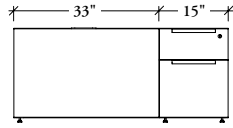
The following illustrates District height-adjustable credenza drawer and open section widths.

Perpendicular Credenza for Height-Adjustable Table (UPPC)

48" Width

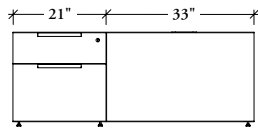


UPPCF - Left Full Drawer

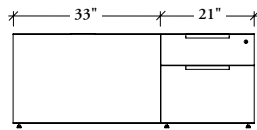


UPPCF - Right Full Drawer

54" Width

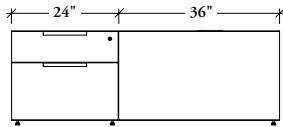


UPPCF - Left Full Drawer

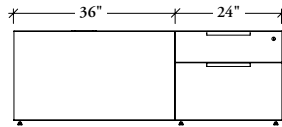


UPPCF - Right Full Drawer

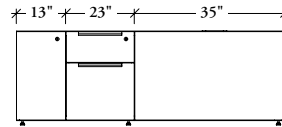
60" Width



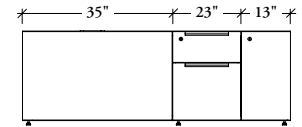
UPPCF - Left Full Drawer



UPPCF - Right Full Drawer

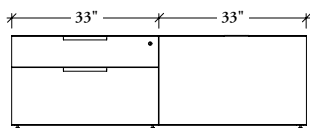


UPSCP - Left File with Hinged Door

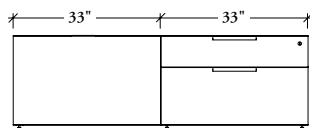


UPSCP - Left File with Hinged Door

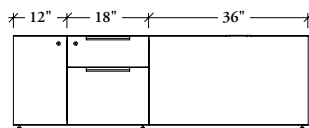
66" Width



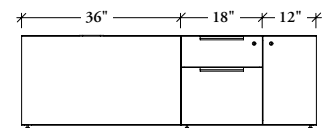
UPPCF - Left Full Drawer



UPPCF - Right Full Drawer

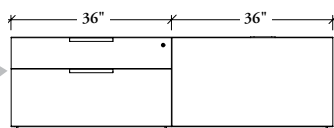


UPSCP - Left File with Hinged Door

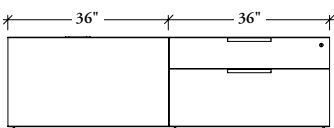


UPSCP - Left File with Hinged Door

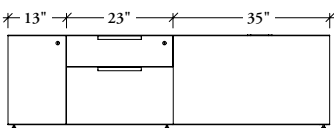
72" Width



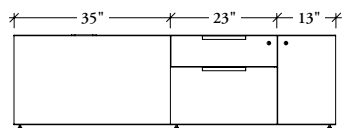
UPPCF - Left Full Drawer



UPPCF - Right Full Drawer



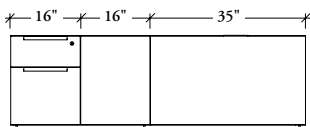
UPSCP - Left File with Hinged Door



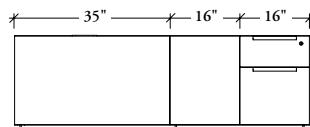
UPSCP - Left File with Hinged Door

Shared Perpendicular Credenza for Height-Adjustable Table (UPCS)

66" Width

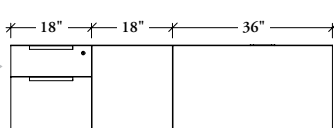


UPCS - Left Full Drawer

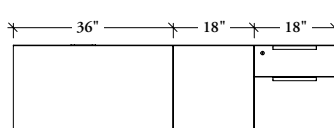


UPCS - Right Full Drawer

72" Width



UPCS - Left Full Drawer



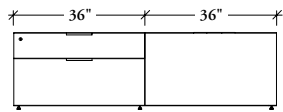
UPCS - Right Full Drawer

height-adjustable credenza drawer widths (continued)

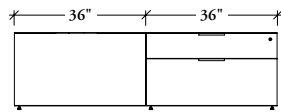
The following illustrates District height-adjustable credenza drawer and open section widths.

Parallel Spine Credenza for Height-Adjustable Table (UPSC)

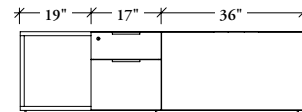
72" Width



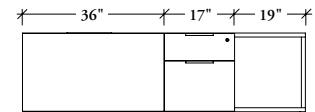
UPSCF - Left Full Drawer



UPSCF - Right Full Drawer

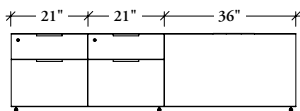


UPSCP - Left Open Drawer

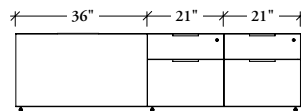


UPSCP - Right Open Drawer

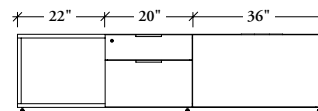
78" Width



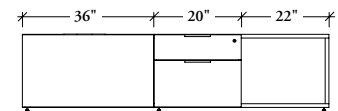
UPSCF - Left Full Drawer



UPSCF - Right Full Drawer

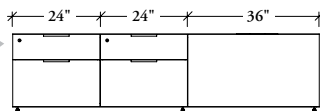


UPSCP - Left Open Drawer

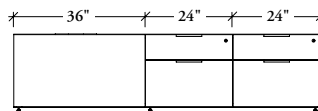


UPSCP - Right Open Drawer

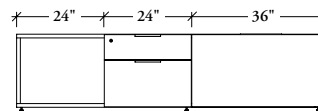
84" Width



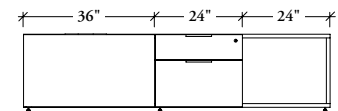
UPSCF - Left Full Drawer



UPSCF - Right Full Drawer



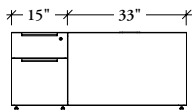
UPSCP - Left Open Drawer



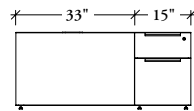
UPSCP - Right Open Drawer

Parallel Corridor Credenza for Height-Adjustable Table (UPCC)

48" Width

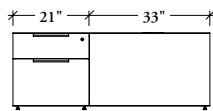


UPCCF - Left Full Drawer

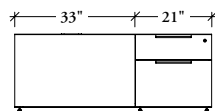


UPCCF - Right Full Drawer

54" Width



UPCCF - Left Full Drawer



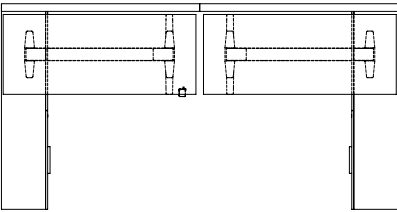
UPCCF - Right Full Drawer

planning with credenzas for height-adjustable tables

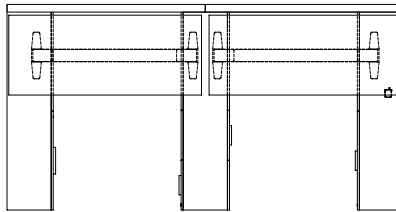
When planning with credenzas for height-adjustable tables, the following should be taken into consideration.

planning with credenzas perpendicular to the panel spine

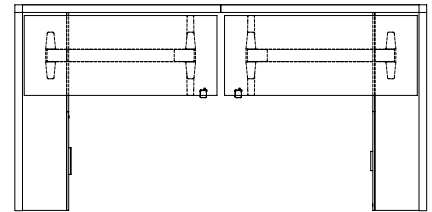
Credenzas and height-adjustable tables can be planned in the following configurations.



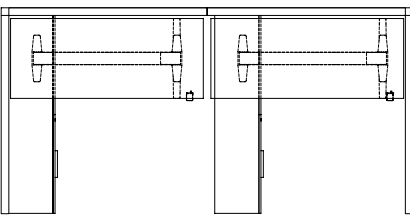
Navigate height-adjustable tables with credenzas and freestanding panels along spine.



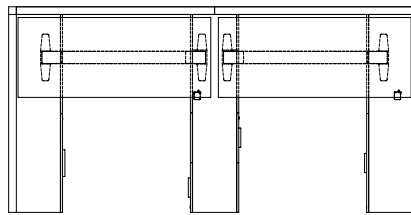
Navigate height-adjustable tables with credenzas attached to fixed panels along the spine.



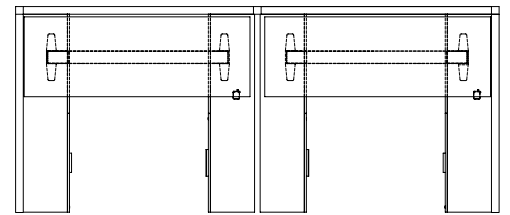
Navigate height-adjustable tables with credenzas attached to freestanding panels and fixed return panels.



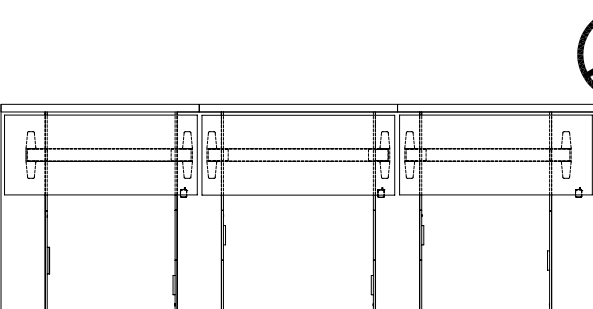
Navigate height-adjustable tables with credenzas attached to fixed panels and freestanding panels along the corridor.



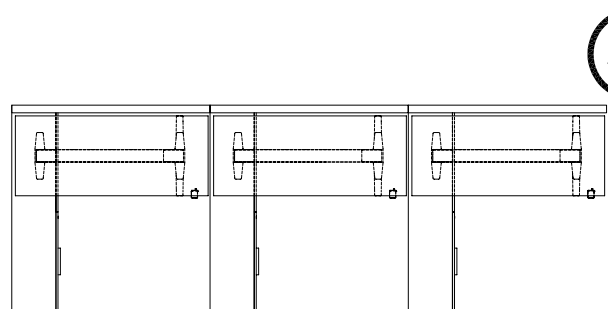
Navigate height-adjustable tables with credenzas attached to fixed panels.



Navigate height-adjustable tables with credenzas attached to fixed panels.



Navigate height-adjustable tables cannot be planned in three-packs of shared credenzas.

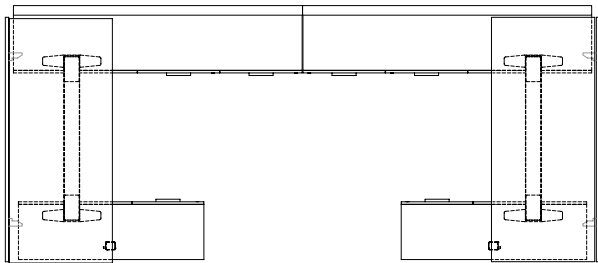


This is an alternative planning solution for a run of three height-adjustable workstations and perpendicular credenzas.

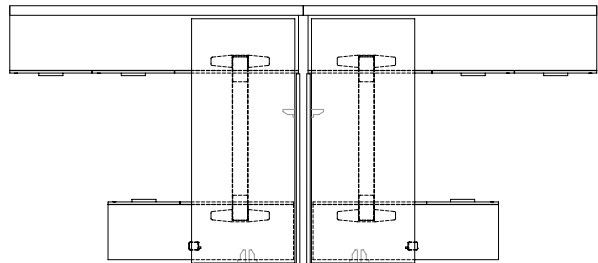
planning with credenzas for height-adjustable tables (continued)

planning with credenzas parallel to panel spine

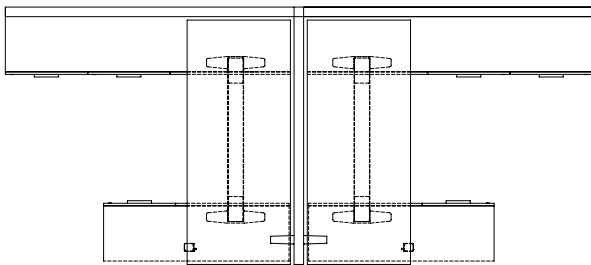
150



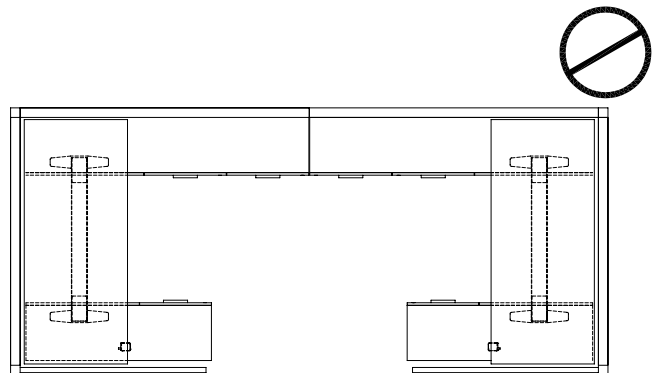
Navigate height-adjustable tables wrapped with screens will allow for the required gaps.



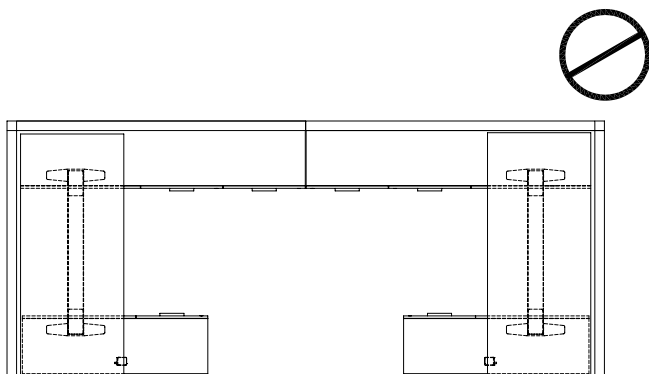
Back-to-back Navigate height-adjustable tables wrapped with screens will allow for the required gaps.



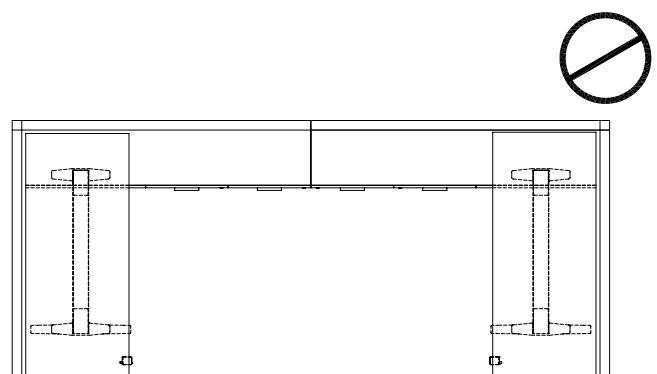
Back-to-back Navigate height-adjustable tables with a freestanding panel will allow for the required gaps.



Panels wrapped around Navigate height-adjustable tables will not allow for the required 1" gaps.



Return panels off of the spine cannot attach to a Parallel Corridor Credenza for Height-Adjustable Table (UPCC) or Navigate height-adjustable table.



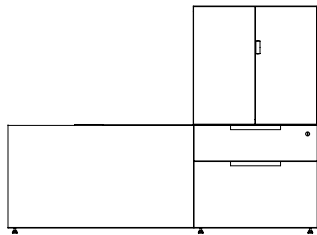
Freestanding panels are unable to attach to Navigate height-adjustable tables.

planning with credenzas for height-adjustable tables (continued)

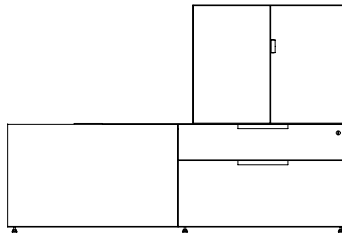
stackers

The width of the storage section on a height-adjustable credenza will vary depending on the overall width of the credenza. District stackers are available in widths to match the width of the storage section of each credenza.

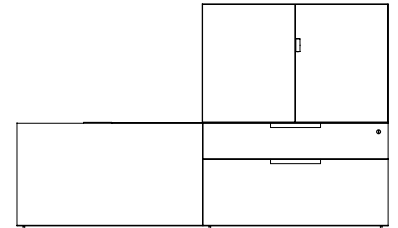
The following is recommended if stacker widths are to match with Perpendicular Credenzas for Height-Adjustable Tables (UPPC).



60" wide credenza with 24" wide stacker
(Full drawer right shown)

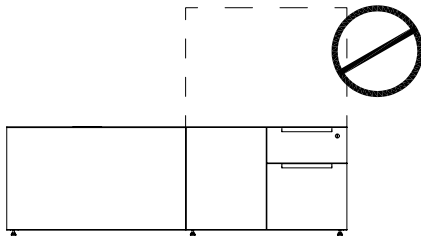


66" wide credenza with 30" wide stacker
(Full drawer right shown)

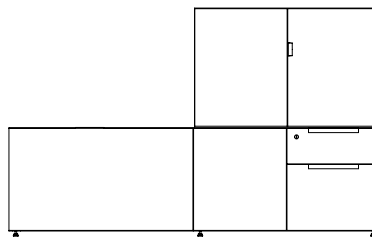


72" wide credenza with 36" wide stacker
(Full drawer right shown)

The following is recommended if stacker widths are to match with Shared Perpendicular Credenzas for Height-Adjustable Tables (UPCS).

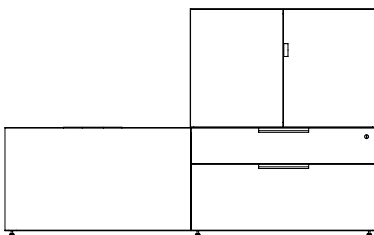


66" wide credenza with 36" wide stacker
(Full drawer right shown)

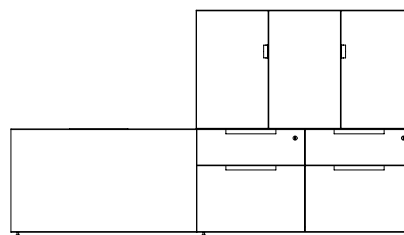


72" wide credenza with 36" wide stacker
(File with hinged door right shown)

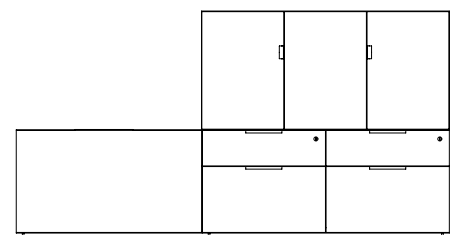
The following is recommended if stacker widths are to match Parallel Spine Credenzas for Height-Adjustable Tables (UPSC).



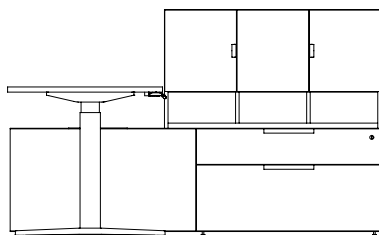
72" wide credenza with 36" wide stacker
(Full drawer right shown)



78" wide credenza with 42" wide stacker
(Full drawer right shown)



84" wide credenza and 48" wide stacker
(Full drawer right shown)

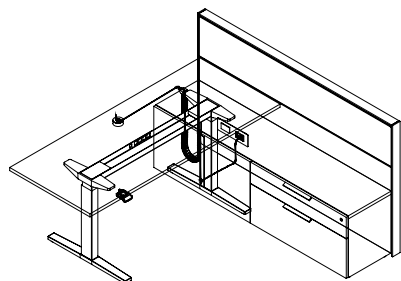


Always ensure there is a minimum 1" gap between Height-Adjustable table and stackers to avoid any pinch points.

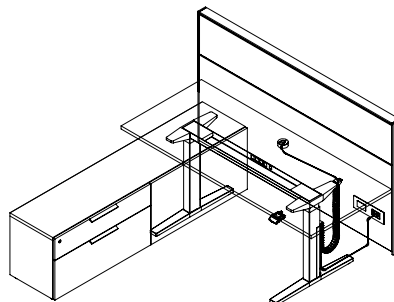
planning with credenzas for height-adjustable tables (continued)

electrics and credenzas for height-adjustable tables

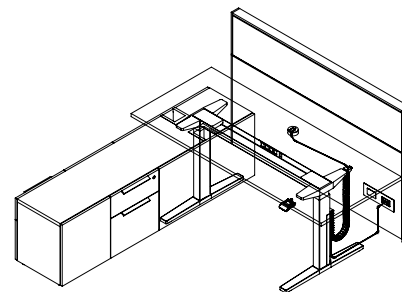
I52



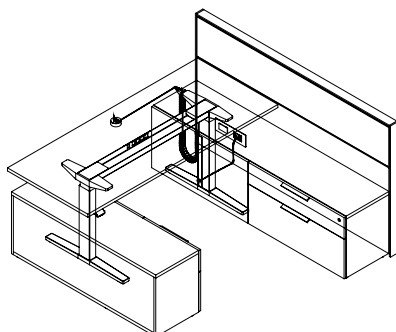
- Parallel Spine Credenzas for Height-Adjustable Tables (UPSC) are the only credenzas that can be specified with a cut out in the back
- Cut out allows for wires to be routed through the grommet into the E-Chain and then to the credenza to power box in panel



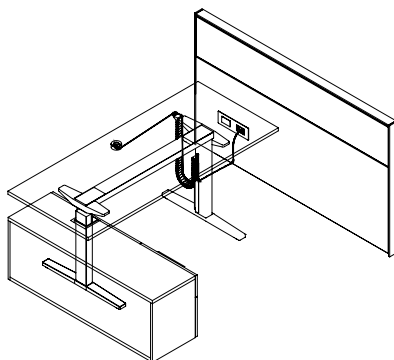
- Perpendicular Credenzas for Height-Adjustable Tables (UPPC) do not have the option of specifying a cut out
- Wires will be routed through the grommet to the power box in the panel



- Shared Perpendicular Credenzas for Height-Adjustable Tables (UPCS) do not have the option of specifying a cut out
- Wires will be routed through the grommet to the power box in panel



- Parallel Corridor Credenzas for Height-Adjustable Tables (UPCC) do not have the option of specifying a cut out
- There is no option to specify an E-chain
- Wires will be routed through the grommet through to the Parallel Spine Credenza for Height-Adjustable Table (UPSC)

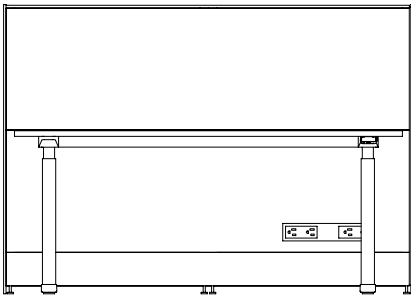


- If Parallel Corridor Credenzas for Height-Adjustable Tables (UPCC) are specified without a Parallel Spine Credenza for Height-Adjustable Table, an E-Chain Vertical Cable Manager (YEEE) should be specified separately
- E-Chain Vertical Cable Manager (YEEE) is available from Complements: *Teknion's Ergonomics & Accessories Program*. For more information, please see the *Applications Guidelines* section.

planning with credenzas for height-adjustable tables (continued)

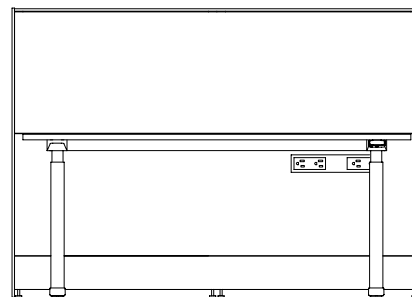
fascias

When specifying fascias on District panels to accommodate power, it is important to consider the location of the fascia with cut out to avoid interference with the height-adjustable table and/or credenza.



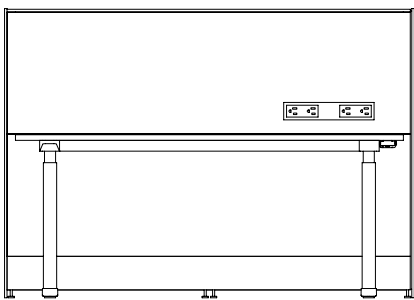
51" high District Panel with Fascias for Freestanding District with Power/Communication cut out bottom.

There is no interference with power cables plugged into the power box on the panel.



51" high District Panel with Fascias for Freestanding District with Power/Communications cut out top.

Location will cause interference with power cables plugged into the power box on the panel.



51" high District Panel with Fascias for Freestanding District with Power/Communications cut out Bottom

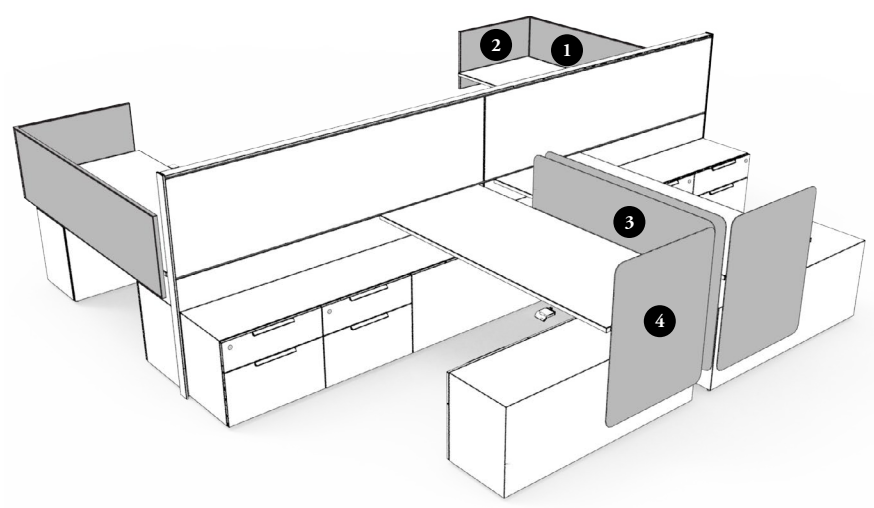
Location will cause interference with power cables plugged into the power box on the panel.

navigate height-adjustable tables with screens overview

District Screens can be planned with height-adjustable tables and credenzas in both parallel and perpendicular applications.

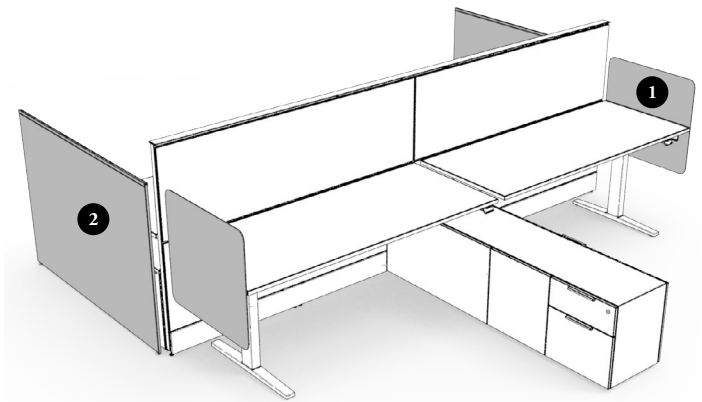
perpendicular planning with height-adjustable tables and screens

I54



- 1 Framed Fabric Desk Edge Screen (GYDD)
- 2 Framed Fabric Side Desk Edge Screen (GYSD)
- 3 Infinity Desk Edge Screen (GXDD)
- 4 Infinity Side Desk Edge Screen (GXSD)

parallel planning with height-adjustable tables and screens

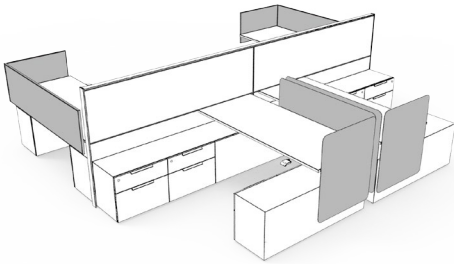


- 1 Infinity Side Desk Edge Screen (GXSD)
- 2 Storage Screen (UNSS)

planning with navigate height-adjustable tables and screens

The following should be considered when planning with navigate height-adjustable tables and screens.

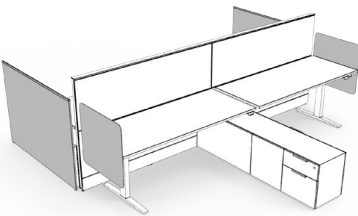
The following chart outlines the screens that can be used with height-adjustable tables when planning perpendicular to the panel spine



Screen Type	Perpendicular Planning
ALL Desk Edge Screens	✓
Curved Desk Edge Screens	✓
Desktop Casual Screen	✓
HAB Study Carrel	
Modesty Screens	✓
ALL Desk Edge Floor Screens	
Storage Screens	
Lateral Floor Screens	
Desktop Lateral Screens	
Glass Desk Edge Screens	

✓ Applicable

The following chart outlines the screens that can be used with height-adjustable tables when planning parallel to the panel spine



Screen Type	Perpendicular Planning
ALL Desk Edge Screens	
Curved Desk Edge Screens	
Desktop Casual Screen	✓
HAB Study Carrel	
Modesty Screens	
ALL Desk Edge Floor Screens	
Storage Screens	✓
Lateral Floor Screens	
Desktop Lateral Screens	✓
Glass Desk Edge Screens	

✓ Applicable

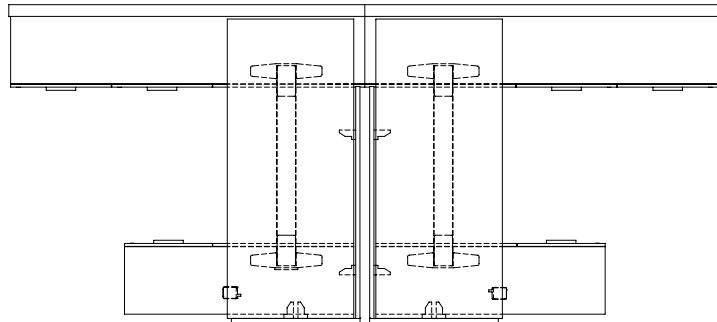
planning with navigate height-adjustable tables and screens (continued)

gapping

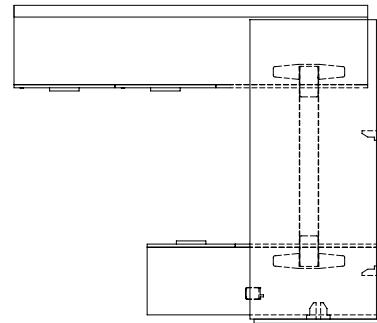
When planning with screens on perpendicular worksurfaces, ensure that there are proper pinch gaps between credenzas and screens.

The cut out is wide enough to accommodate various planning configurations.

156

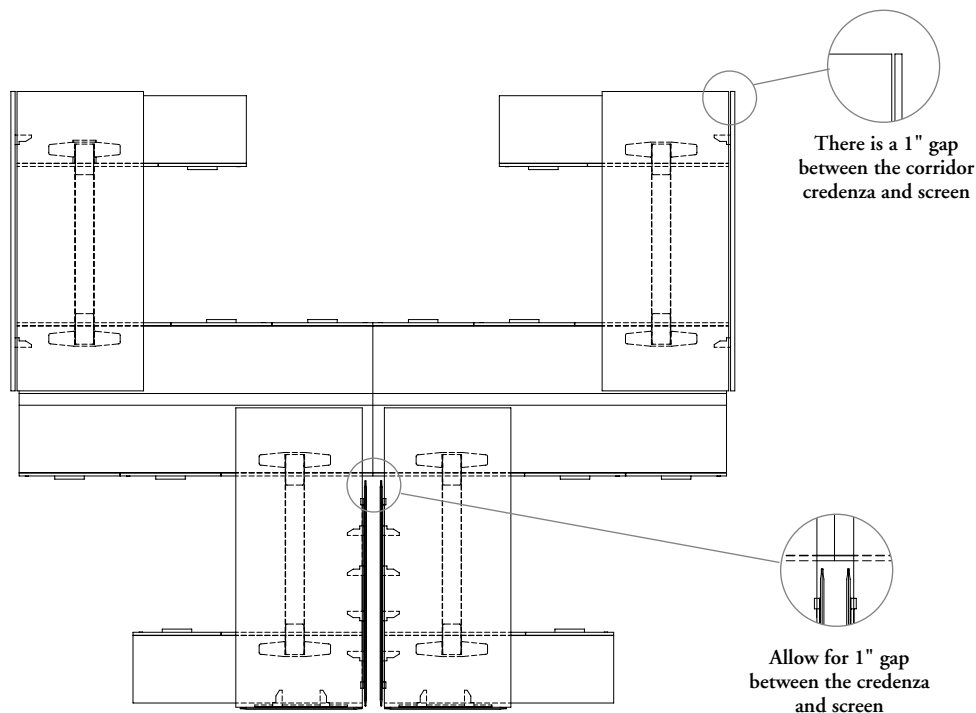


Height-adjustable table can shift back 3" to allow for the recommended pinch gap when specifying desk edge screens in face-to-face applications.



Height-adjustable table can shift forward to allow for screen to overlap credenza.

When specifying screens attached to height-adjustable tables, there should always be a 1" gap to avoid pinch points.



There is a 1" gap between the corridor credenza and screen

Allow for 1" gap between the credenza and screen

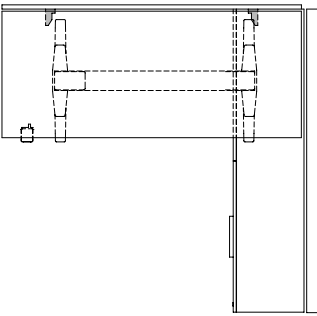
planning with navigate height-adjustable tables and screens (continued)

desk edge screens

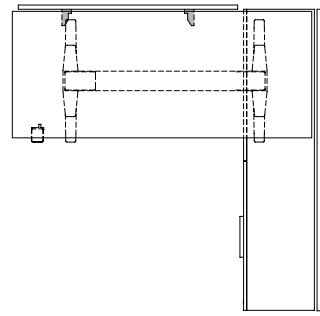
The following screen types can be specified on height-adjustable tables, either full or partial width:

- Desk Edge Screen (UNSD)
- Infinity Desk Edge Screen (GXDD)
- Framed Desk Edge Screen (GYDD)

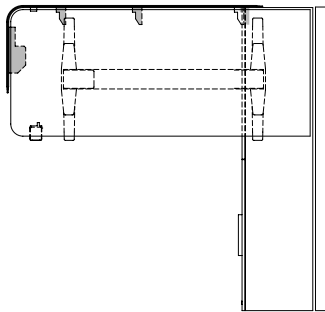
Glass screens should not be used on height-adjustable tables.



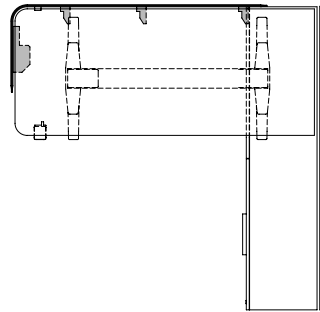
Desk Edge Screens can span entire width of work surface.



Height-adjustable tables can be pushed back in spine credenza with Desk Edge Screens spanning only part of the width of the work surface.



Infinity Curved Desk Edge Screen (GXCD) can span along the front edge of the work surface.

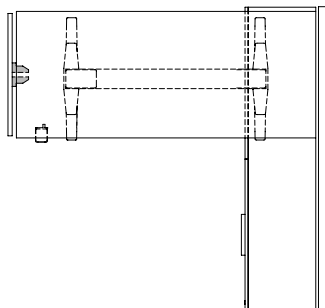


Height-adjustable tables can be pushed back in spine credenza with Infinity Curved Desk Edge Screen (GXCD) screen spanning only part of the work surface.

side desk edge screens

The following screen types can be specified on height-adjustable tables with T-Legs:

- Framed Fabric Side Desk Edge Screen (GYSD)
- Infinity Side Desk Edge Screen (GXSD)



Side Desk Edge Screen on a Navigate Height-Adjustability Built-in Base - Perpendicular Planning with T-Legs.

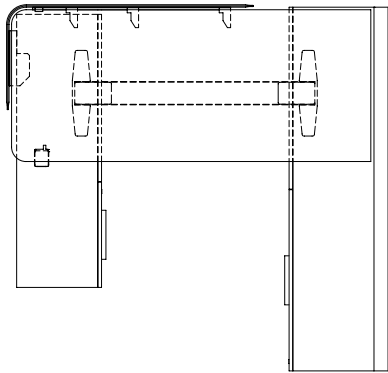
planning with navigate height-adjustable tables and screens (continued)

curved infinity desk edge screens

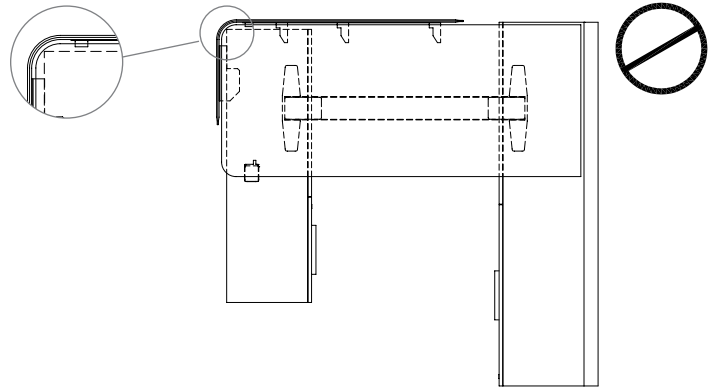
Curved Infinity Desk Edge Screens are available with and without wire management.

The option of no wire management must be specified if there is a Parallel Corridor Credenza for Height-Adjustable Table (UPCC) with a Curved Infinity Desk Edge Screen (GXCD).

158

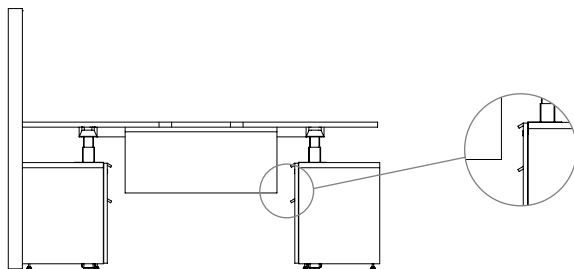


No wire management.



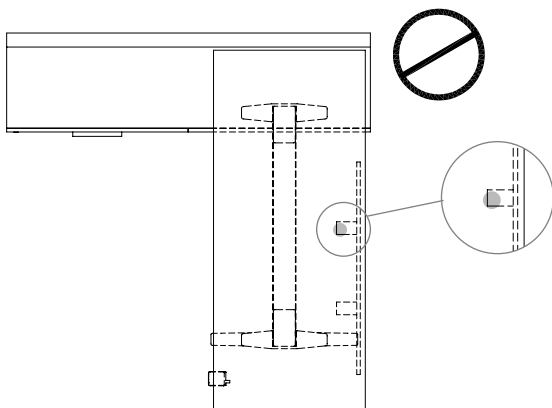
Wire management interferes with credenza if Height-adjustable table is moved up/down.

modesty screens

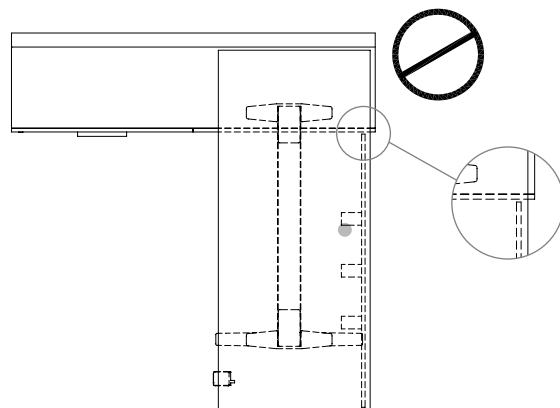


Allow minimum 1" gap between Modesty Screen (UNSM) and credenzas.

When planning with modesty screens, there could be interference with cut outs and credenzas for height-adjustable tables.

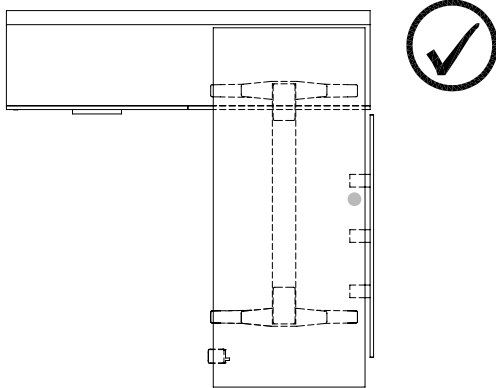


Modesty panel interferes with cut out when centered between the edge of the worksurface and credenzas.



There is a 1" pinch gap between the modesty panel and credenza. There is interference between the modesty panel and cut out.

planning with navigate height-adjustable tables and screens (continued)



Modesty panel is centered on the worksurface and does not interfere with cut out.

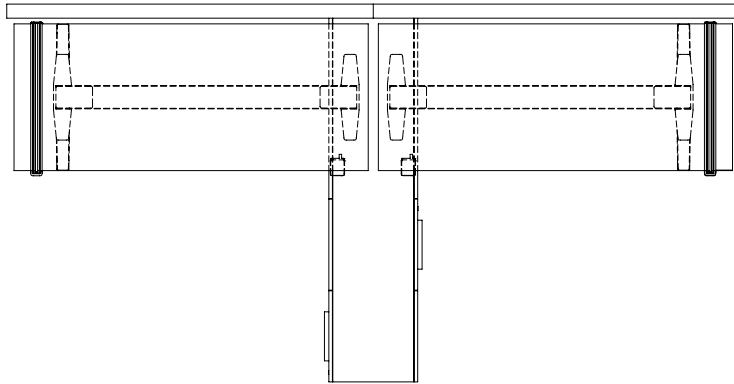
planning with navigate height-adjustable tables and screens (continued)

lateral screens

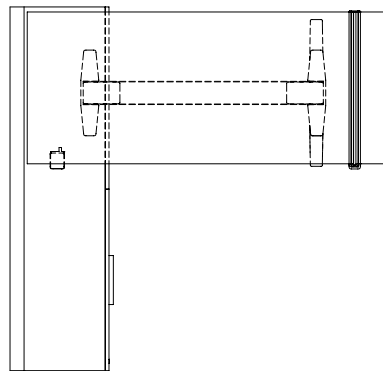
All lateral screens can only be planned with height-adjustable worksurfaces that are parallel to the panel spine.

- Lateral screens have nominal depths and can be specified to parallel worksurfaces.
- Actual depths of lateral screens are:
 - 24" deep is 23" deep
 - 30" deep is 29" deep
 - 36" deep is 35" deep

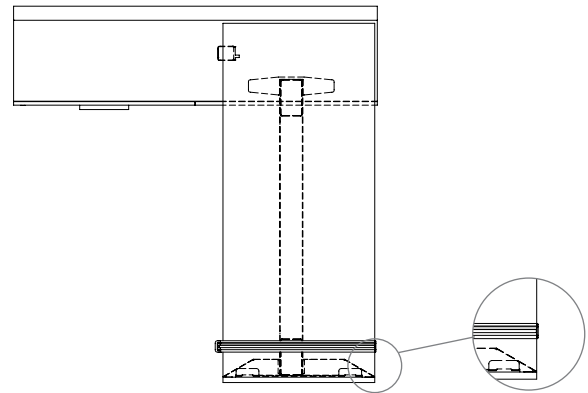
160



Parallel Rectangular Height-Adjustable Built-In Worksurfaces (WHD) can accommodate all lateral screens.

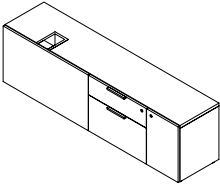
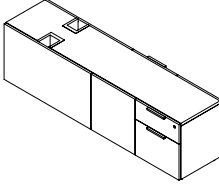
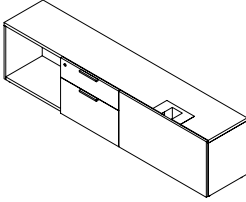
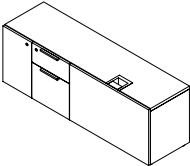


When specifying a lateral screen on a Navigate Height-Adjustable Built-in Gable Base - Parallel Planning (YHD), the screen must be inserted so it does not interfere with the base.



Lateral screen depths are 29" and **cannot** be planned with 30" deep Perpendicular Rectangular Height-Adjustable Built-In Worksurfaces (WLD).

height-adjustable credenza lock chart

	number of locks		number of locks		number of locks
 <p>UPPC</p>	2 x	 <p>UPCS</p>	2 x	 <p>UPSC</p>	1 x
 <p>UPCC</p>	2 x				

storage

storage

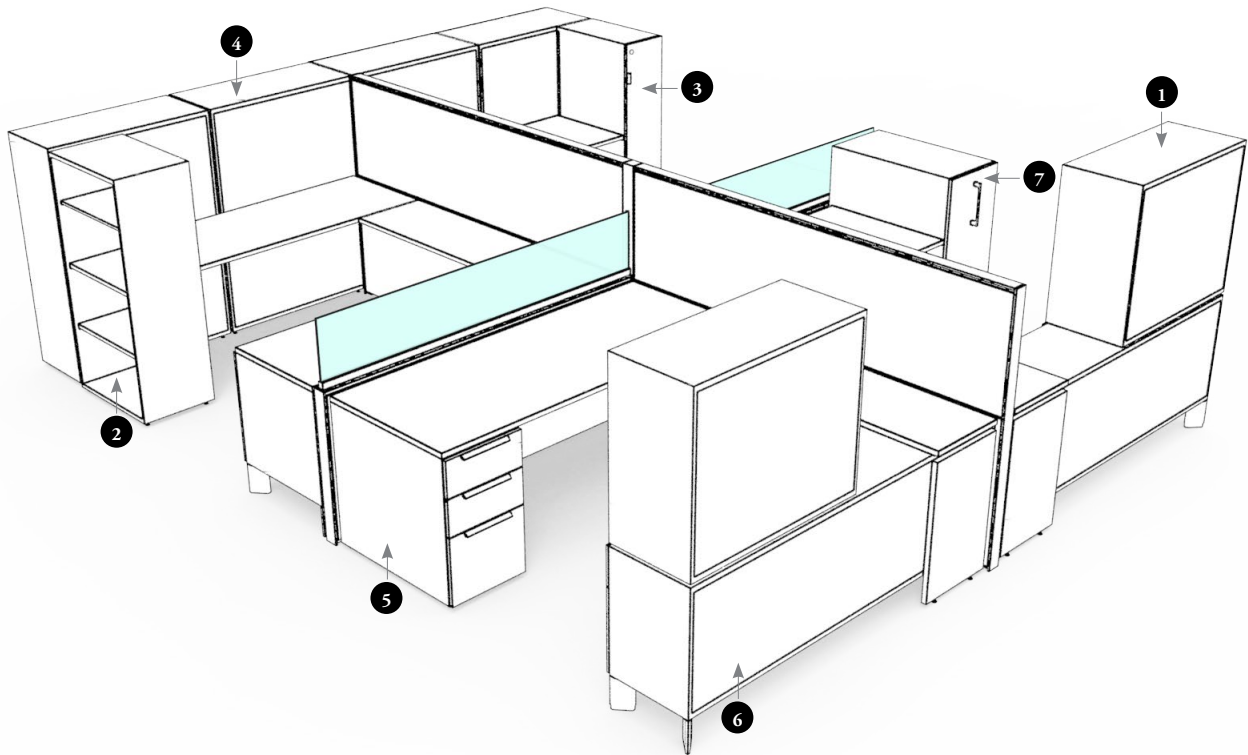
UNDERSTANDING STORAGE	167
UNDERSTANDING DISTRICT STORAGE	168
PEDESTAL BASICS	173
PLANNING WITH PEDESTALS	174
STRETCH PEDESTAL & LATERAL FILE STORAGE BASICS	175
PLANNING WITH STRETCH PEDESTALS	176
PLANNING WITH LATERAL FILES	177
BOOKCASE BASICS	178
CREDENZA BASICS	179
CREDENZA DRAWER WIDTHS	187
PLANNING WITH CREDENZAS	191
STACKER BASICS	194
PLANNING WITH STACKERS	196
SINGLE LOCKER BASICS	198
PLANNING WITH SINGLE LOCKERS	200
DUAL, TRIPLE & QUAD LOCKER BASICS	202
PLANNING WITH LOCKERS	203
CUBBY LOCKER BASICS	204
TOWER BASICS	205
PLANNING WITH TOWERS	210
PEDESTAL TOWER BASICS	212

storage

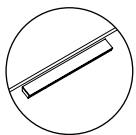
storage (continued)

PLANNING WITH PEDESTAL TOWERS	214
STORAGE-TO-STORAGE SUPPORT BASICS	215
OVERHEAD BASICS	216
PLANNING WITH OVERHEAD CABINETS	217
CENTERMOUNT OVERHEAD BASICS	219
PLANNING WITH CENTERMOUNT OVERHEAD CABINETS	220
SIDE FILER & MINI SIDE FILER BASICS	222
PLANNING WITH SIDE FILERS	223
PLANNING WITH MINI SIDE FILERS	226
PLANNING WITH SIDE FILERS & MINI SIDE FILERS	227
PLANNING WITH SIDE FILER, MINI SIDE FILER & USB POWER	229
ACCESSORY BUNDLE BASICS	232
GRAIN DIRECTION	233
LOCK CHART	238

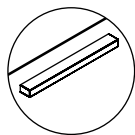
District storage is available in a variety of formats, from pedestals, to stackers and lockers. The following outlines the various storage options available.



- 1 **Stackers** stack onto other base storage units and can face the same direction as the base, or opposite directions.
- 2 **Bookcases** are available to maximize open storage.
- 3 **Lockers** provide coat and shelf storage in a variety of configurations including with cubbies, with solid backs, dual, triple and quad lockers, front or side closet locations and mail slots.
- 4 **Towers** combine coat storage, box and file and open compartments in front and side locations.
- 5 **Undersurface storage** includes pedestals with solid backs and cubbies, rolling pedestals, stretch pedestals, single lockers and credenzas.
Lateral files are available 36" and 42" high when higher storage is required.
- 6 **Credenza** options include full drawer, open, and open with drawer hinged door, or sliding door combinations.
- 7 **Side Filers** provide coat and shelf storage, along with optional USB power and accessories.



District Handle Pull



Rectangular Handle Pull

Finishes

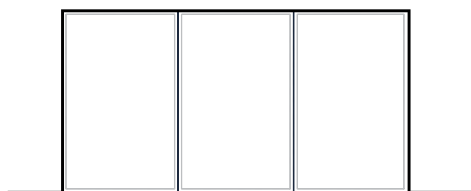
- All storage is available in Seamless Colors (including the new Accent colors), Laminate, Flintwood and Wood Veneer finishes
- When Laminate case is specified, the sides and back of the cabinets will both be Laminate, and the fronts can be Laminate or Flintwood
- Laminate cases are **not** available on 96" wide
- When Seamless, Flintwood or Veneer cases are specified, the backs and fronts can all be different wood finishes, the fronts **cannot** be Laminate
- Handles are available in Foundation, Mica and Accent. Feet are available in Storm White (Q), Platinum (7), Very White (V), Anthracite (X), Graphite (M) and Burnished Bronze (2)
- Grommets are finished in Platinum
- Glass is available in Frost or back-painted glass in various colors

understanding district storage

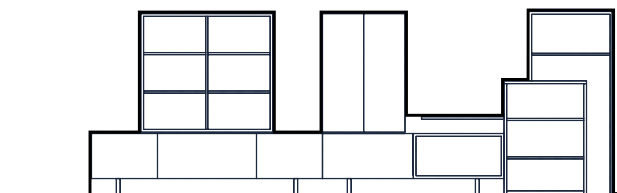
District storage can be planned as space division, panel or worksurface support, or in a more conventional manner where it is incorporated into panel environments. A wide variety of finish protocols are available to suit different planning styles and budgets. District storage also lends itself to integration with the Teknion Leverage system.

topography

168



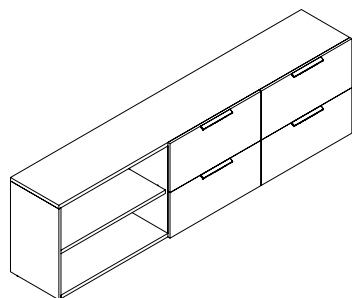
- In conventional planning, panels tend to be one height and the storage is contained within the station



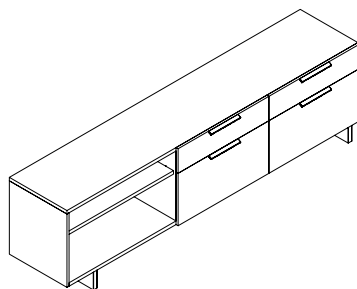
- District typically uses storage to provide space division, offering a varied workspace topography. The line of site can be varied to allow open spaces with different shapes and sizes

district storage styles

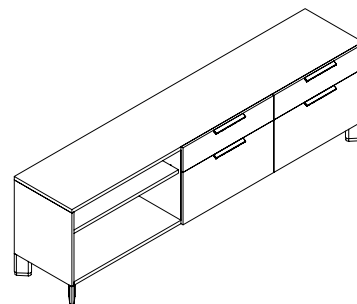
- District is available in three different styles and each provides a different function, and varying levels of power and communication access



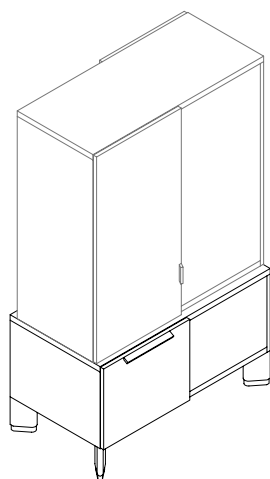
- Standard Storage has levelers only which allow case to sit 1" above floor height. Power and communications **cannot** be passed through it



- Elevated Storage with District Feet provides a lighter aesthetic by raising the storage 6" off the floor
- Available on 19" deep credenzas only
- Power and data communications **cannot** be passed through the storage



- Elevated Storage with Angled Feet provides the most options and flexibility. The legs are on the corners, allowing a power and communications channel to pass along the bottom of the storage to provide power in the storage at either belt line or base level

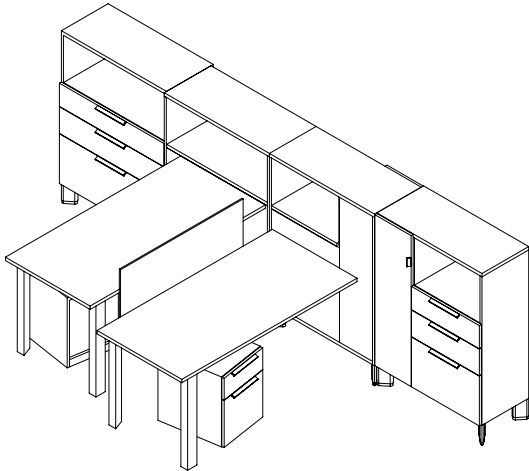


- Shared storage within workstations allows room for collaboration as well as space division
- Allows for planning in smaller spaces more accommodating to storage
- Power and data communications **cannot** be passed through the storage

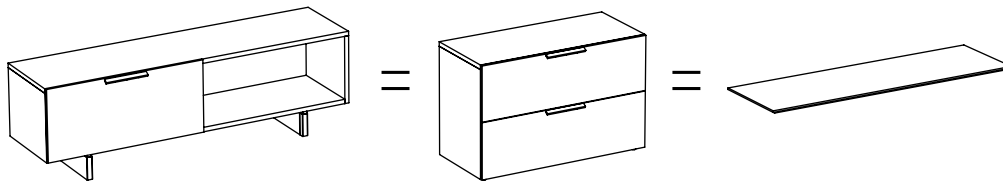
understanding district storage (continued)

storage depths

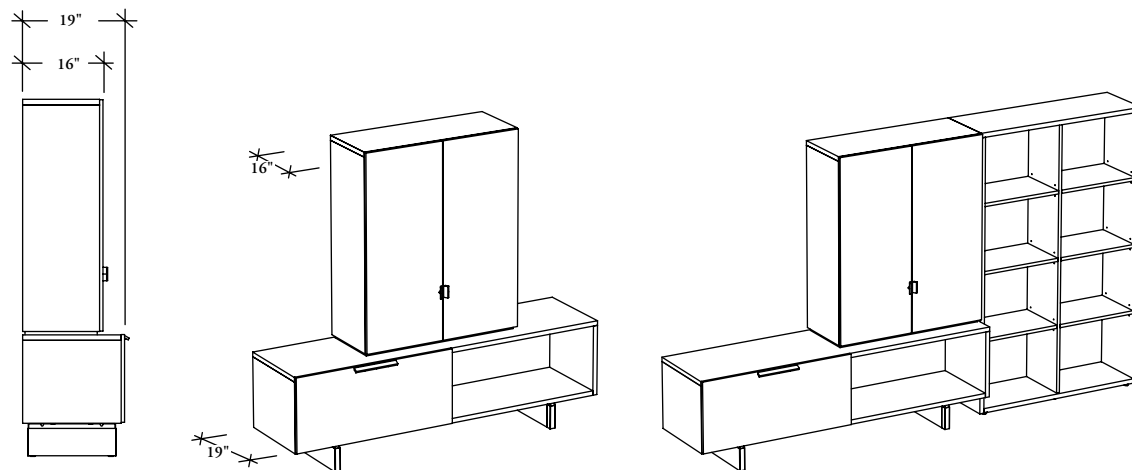
- Storage is available in varying depths to correspond with worksurface depths, create stackable spine storage, or for an increased sense of spaciousness in small workstations



- Storage in depths of 16" allows for cabinets to be stacked flush in spine planning applications



- Credenzas, files and worksurfaces in 19" depths allow worksurfaces to be layered over the storage



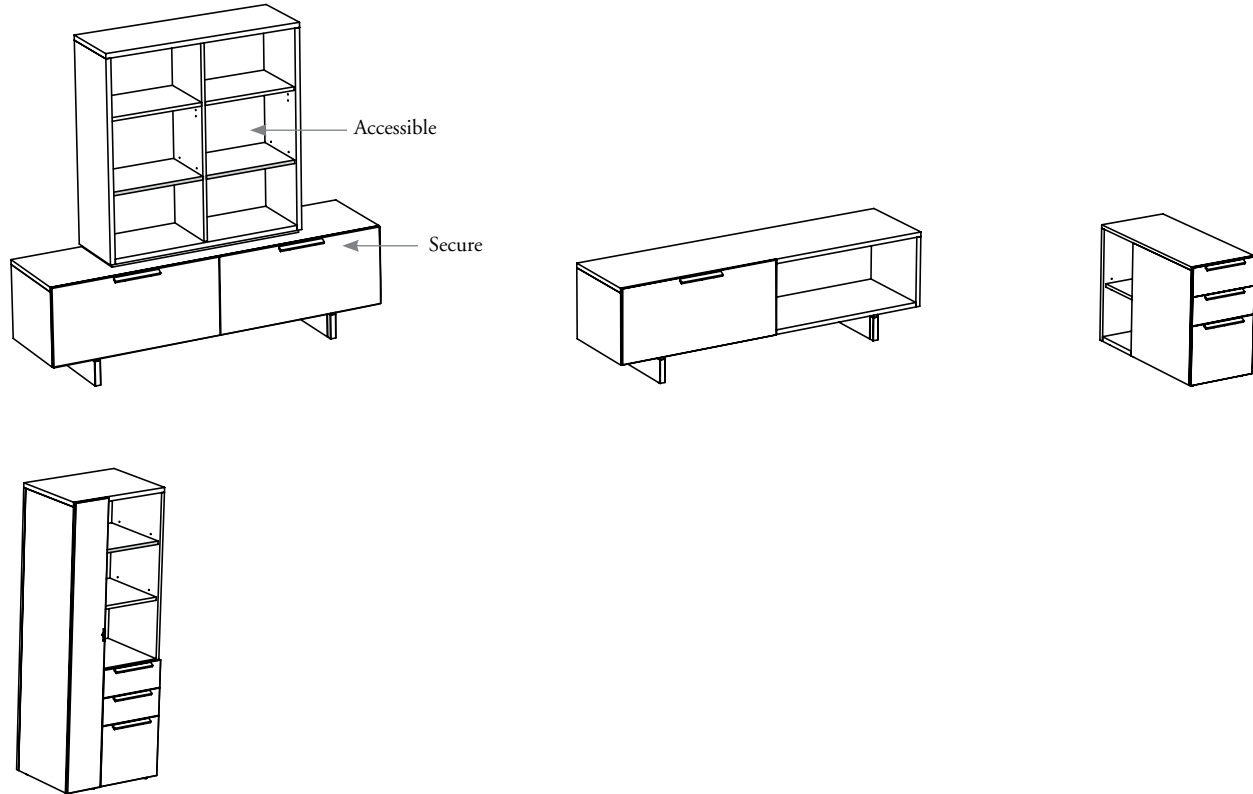
- Depths can be varied, to create a furniture look and feel, and an increased sense of spaciousness in a workstation

understanding district storage (continued)

secure and accessible areas

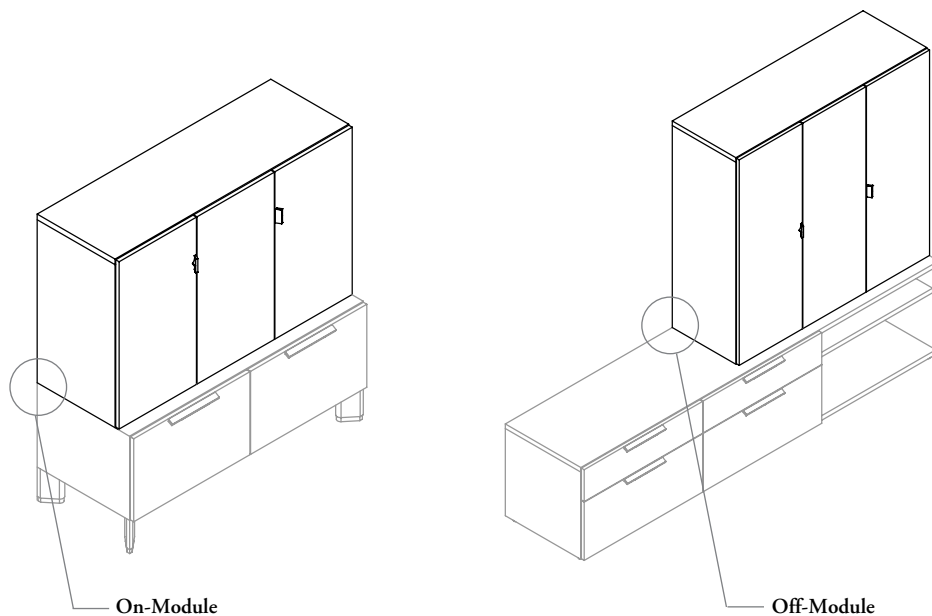
- District storage includes secure or enclosed and accessible areas to allow for a variety of storage options. Backs can also be open or closed on some units to maximize flexibility

170



on- or off-module capability

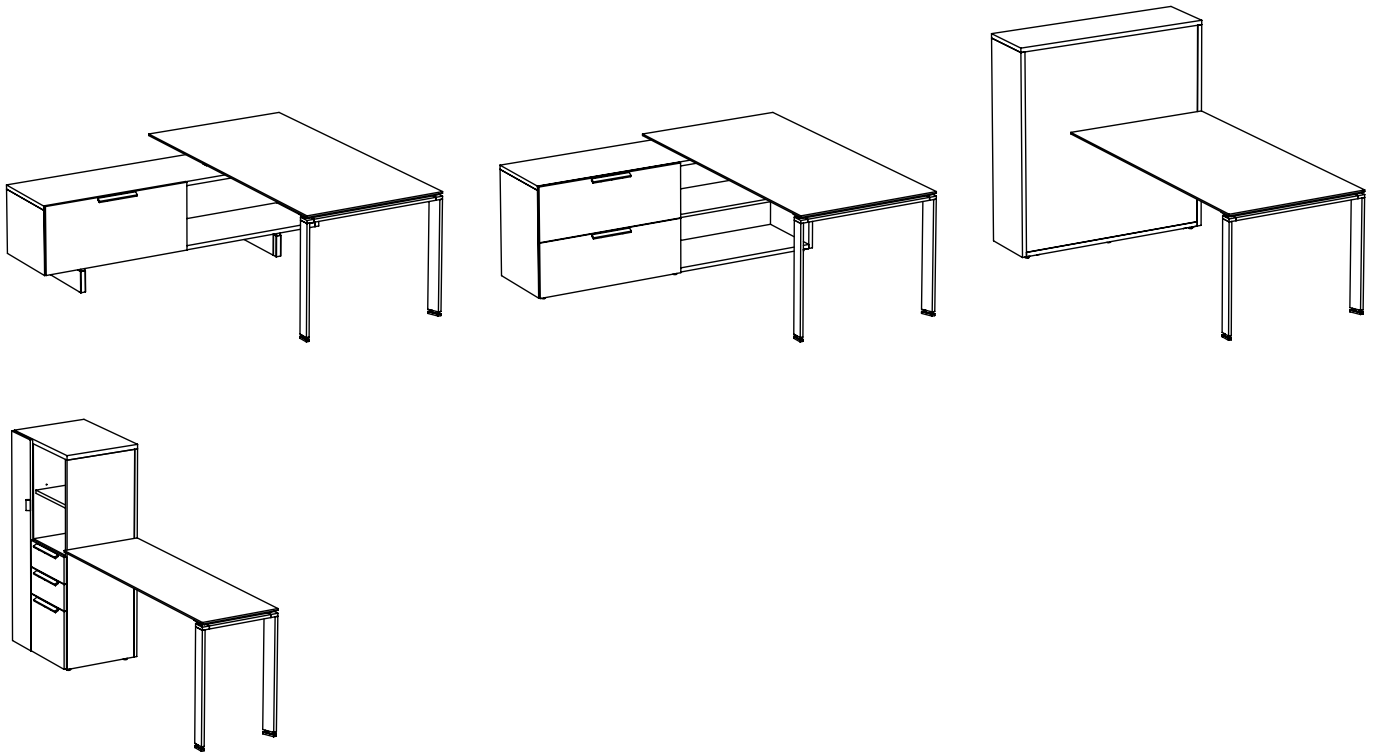
- Storage can be stacked the full width of lower cabinets, or in off-module configurations



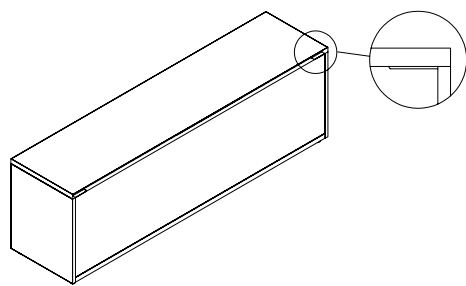
understanding district storage (continued)

maximized support

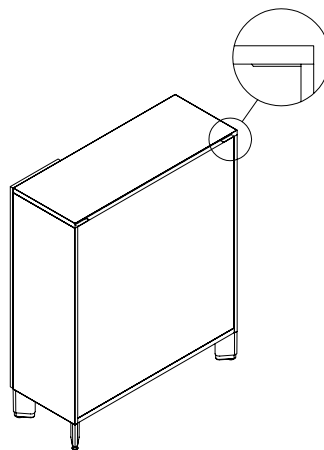
- Worksurface support has been maximized so that virtually any storage component can serve as support for worksurfaces (See *Supports* section for actual support brackets required)



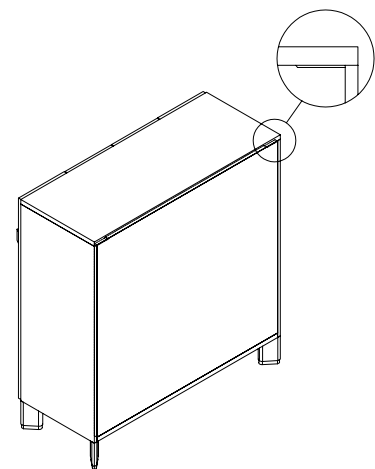
- Storage units that can attach to panels to provide support are complete with slots on the back to accept the support brackets. This allows for maximum flexibility because holes do **not** need to be drilled into the units exterior surface for mounting the brackets



Credenza – Back View



Combo Tower – Back View



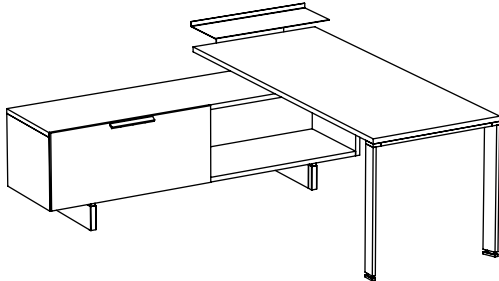
Quad Locker – Back View

understanding district storage (continued)

layering

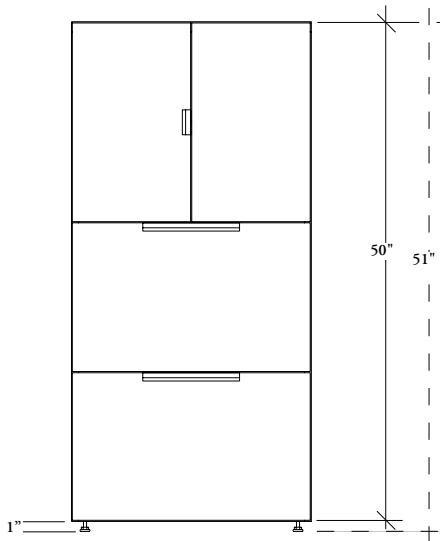
- District provides the opportunity to layer worksurfaces over storage to allow for extra piling surfaces
- The amount of piling worksurface area is maximized by the gap between the shelf at 36" high, the worksurface at 29" high and the credenza at 21" high

172



standard storage heights

- 1" of levelers are included in the total height of the storage (eg. If height is 51", actual height of the case is 50" and levelers, fully extended, make up 1")



leveling range

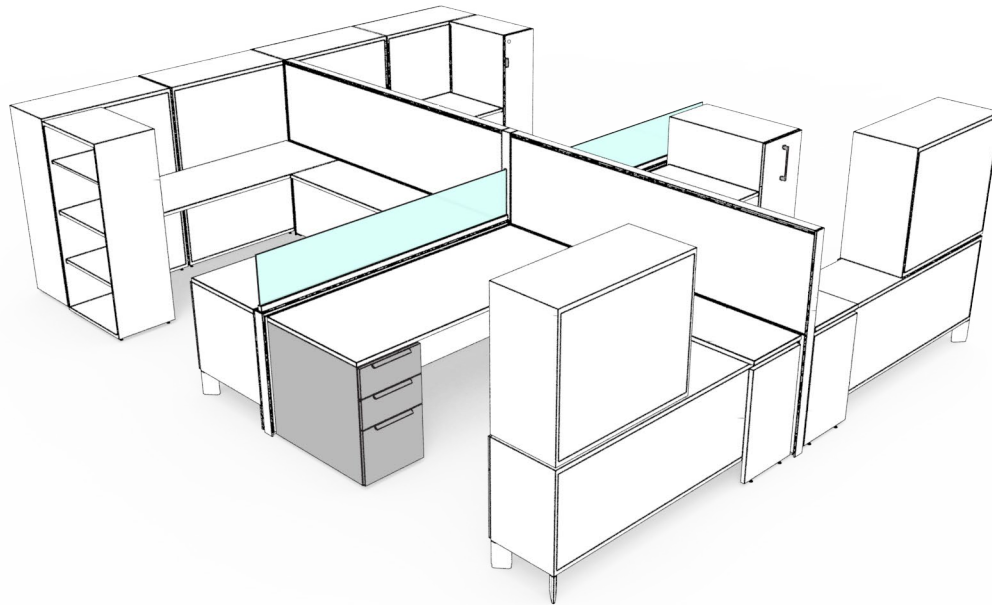
standard storage

- The following storage units (UPFDS, UPSS, UFLS, ULDS, UHDS, UTLS, UTDD, UTW & UTWW) will receive extended levelers (UNSXL) which will allow the unit to be leveled 0.5" down and 0.625" up
- All other units will have a standard leveler which will allow for leveling 0.5" down and 0" up"

elevated storage

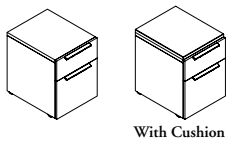
- Leveling range of .5" down and 2.5" up

The following outlines the features of District Pedestals.



Rolling Pedestal (UPR)

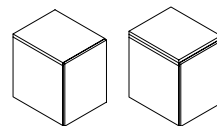
- 21" high mobile box/file pedestal with option for a seat cushion allows for additional seating capability within a workstation
- Includes a pencil tray
- Available 19" deep and 16" wide



With Cushion

Rolling Pedestal with Hinged Door (UPRH)

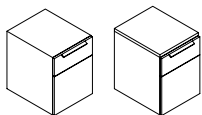
- 16" wide, 21" high solid back in 19" depth
- Option for seat cushion that allows for additional seating
- Door swing direction can be determined by the location of the hinges on the door
- Hinged door is push latch, no handle required.



With Cushion

Rolling Pedestal with Box Drawer and Hinged Door (UPRB)

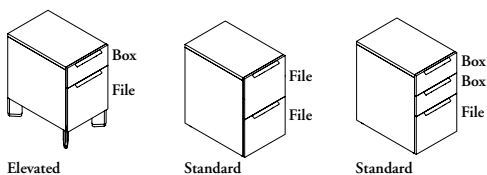
- 16" wide, 21" high solid back in 19" depth
- Option for seat cushion that allows for additional seating
- Two locks on the box drawer and one on the hinged door



With Cushion

Pedestal with Solid Back (UPFD)

- 16" wide, 28" high solid back pedestal available in depths of 19", 23", 29" & 35" to match District worksurface depths
- Elevated style with angled leg configuration includes a box/file drawer, and the standard style is available with box/box/file or file/file drawer combinations
- Box/box/file and box/file combination includes a pencil tray

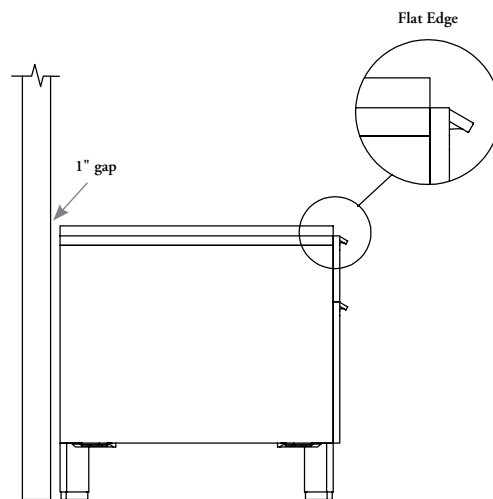
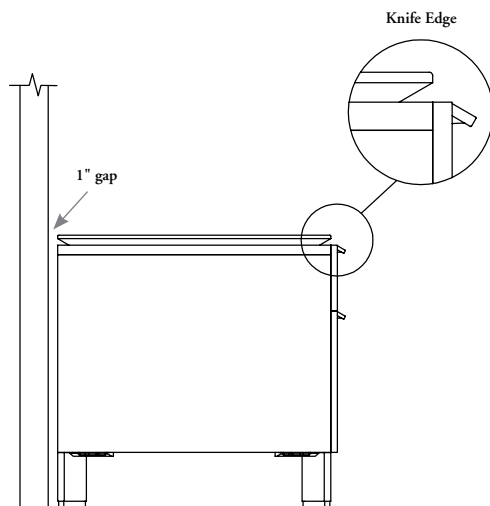


planning with pedestals

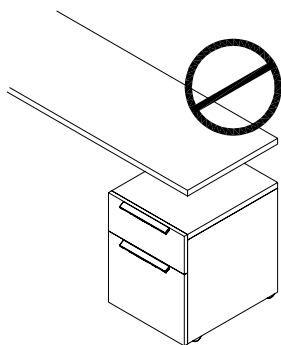
The following should be considered when planning with District Pedestals.

pedestals

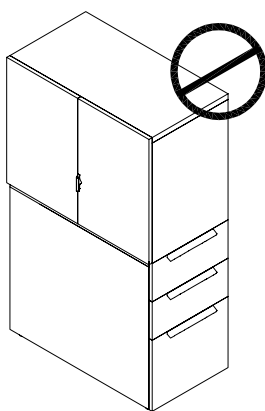
I74



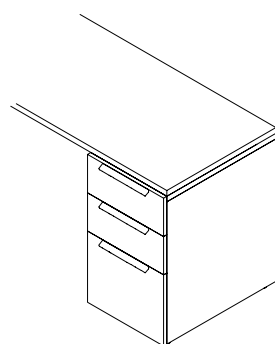
- District pedestal depths match the depth of District worksurfaces (19", 23", 29" & 35") to maintain the 1" gap at the back of the surface
- The body of the cabinet aligns with the District worksurface, and the drawer sits in front of the surface



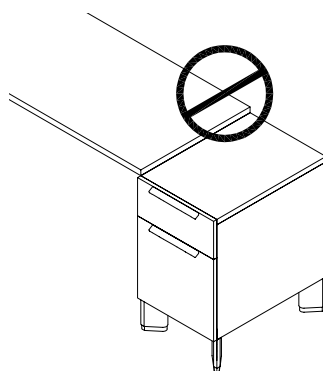
- The rolling pedestal **cannot** be used for support



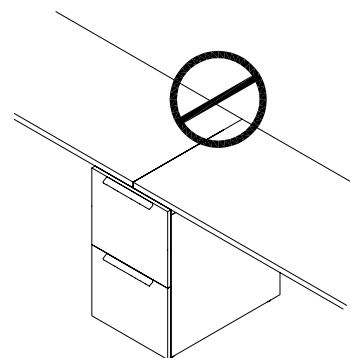
- Stackers **cannot** be stacked onto pedestals



- The 28" high pedestal provides support to worksurfaces, but must be the same depth as the surface



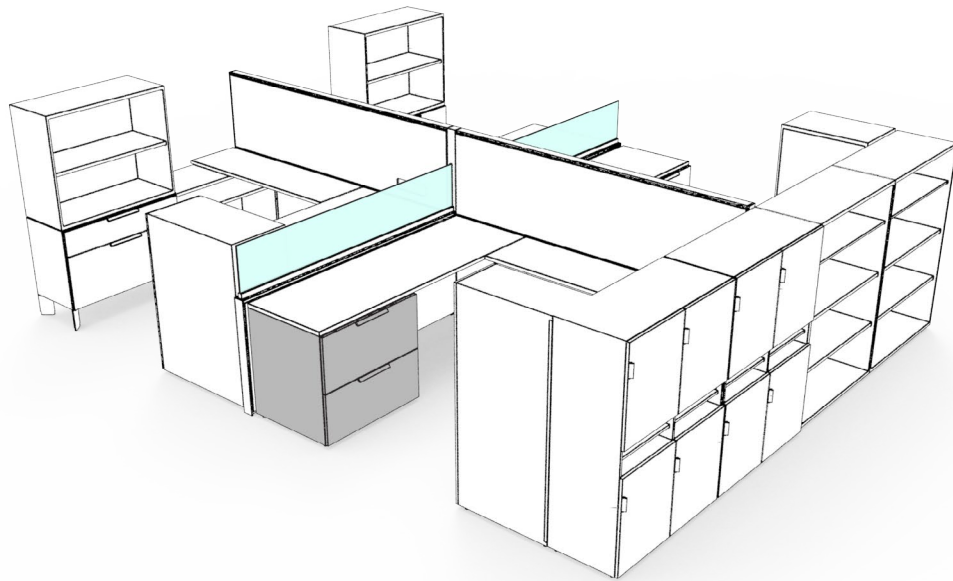
- Worksurfaces **cannot** be mounted off of the end of a pedestal – this condition will **not** provide adequate support



- A pedestal **cannot** be placed between two worksurfaces to provide support to the surfaces – They must be installed fully under one surface

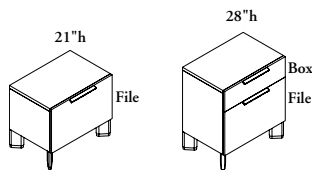
stretch pedestal & lateral file storage basics

The following outlines the features of District Stretch Pedestals and Lateral File Cabinets.



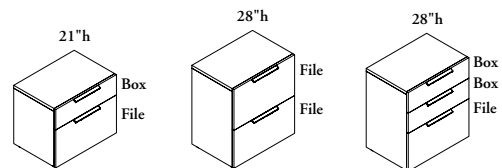
Stretch Pedestal – Elevated (UPSE)

- Takes the place of a two drawer high filing cabinet within a workstation but can be used outside of a station for two high filing
- Available 21" high with a single file drawer, or 28" high with a box/file drawer combination
- 21" high cabinet can be specified with an optional red drawer accessory insert if it is 19" deep
- Depths include 16", 19", 23" & 29" to match standard worksurface depths
- Available in widths of 24", 30" & 36"
- 16" deep pedestal does **not** provide full drawer extension
- 16" deep and 19" deep pedestals offer electrical cut out options for base back cut out



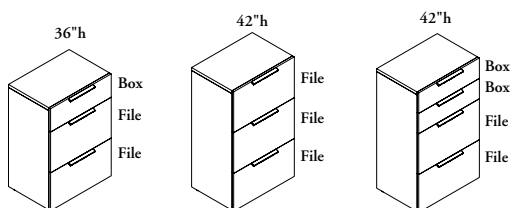
Stretch Pedestal – Standard (UPSS)

- 21" high cabinet is available with a box/file drawer combination and the 28" high cabinet is available with box/box/file drawer or file/file drawer combinations
- Available in the same depths and widths as the Stretch Pedestal – Elevated, but has no options for red drawer accessory inserts or electrical cut outs
- File/file drawer combination is available with individual locks on each drawer for shared address applications
- 16" deep pedestal does **not** provide full drawer extension



Lateral File – Standard (UFLS)

- 36" high cabinet is available with a box/file/file drawer combination and the 42" high cabinet is available with file/file/file and box/box/file/file drawer combinations
- 16" deep lateral file does **not** provide full drawer extension
- There is no option for individual locks or electrical cut outs

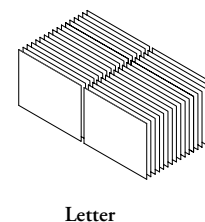
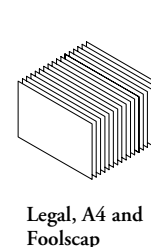
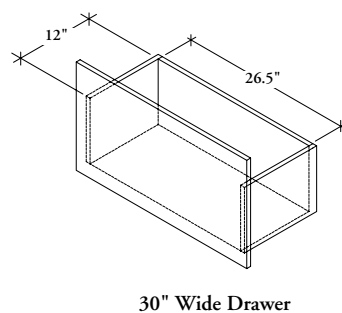
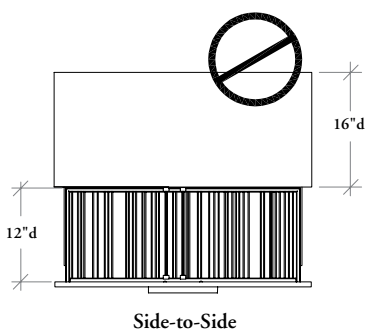
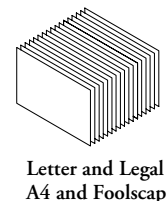
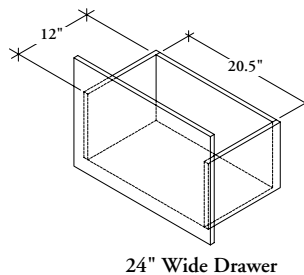
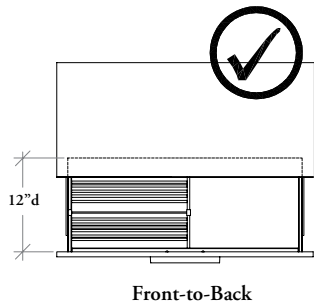


planning with stretch pedestals

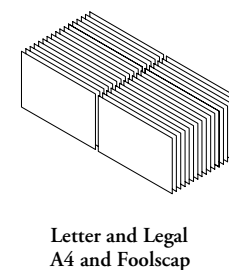
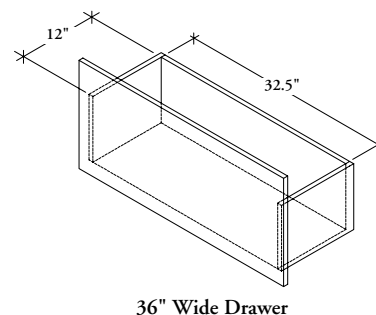
The following should be considered when planning with District Stretch Pedestals.

filing drawer capacities

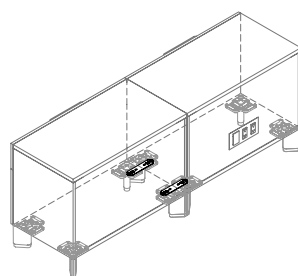
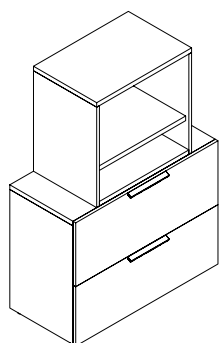
176



- 16" deep file drawers do **not** have full extension files
- Filing must be front-to-back **not** side-to-side
- On 24" width file drawers only one front-to-back filing section can be used (letter, legal, A4 or foolscap)
- On 30" width file drawers two front-to-back filing sections can be used (letter) or one filing section (legal, A4 or foolscap)
- On 36" width filing drawers, front-to-back filing sections can be used (letter, legal, A4 or foolscap)



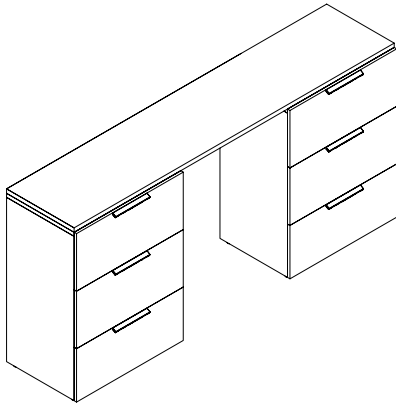
stretch pedestals



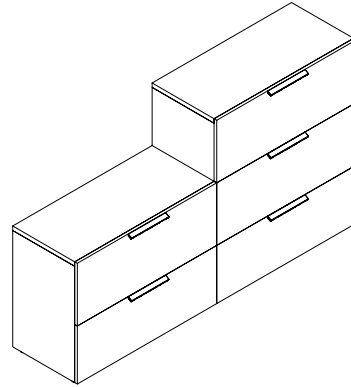
- Stackers can be stacked onto stretch pedestals
- When the flush mounted power & data unit is mounted into the back of a stretch pedestal a counterweight **cannot** be installed in the cabinet however, when electricians are used, the storage unit must be linked to another storage unit there by removing the need for a counterweight

planning with lateral files

The following should be considered when planning with District Lateral File Cabinets.



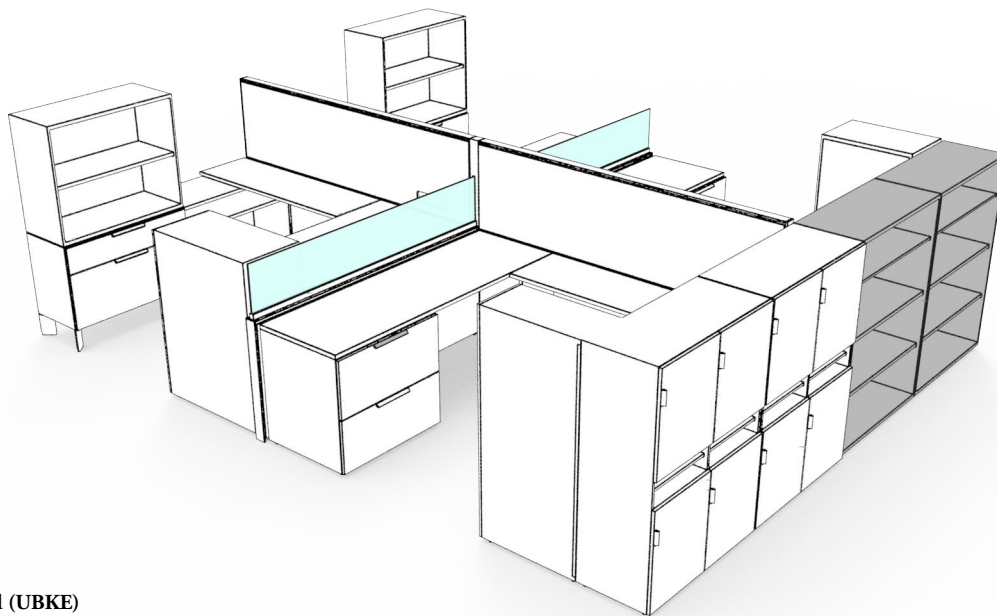
- A work surface can also be mounted over a three-high lateral file to create a counter height working space



- Stretch pedestals and lateral files have matching datum lines and dimensions so can be planned side-by-side
- Stretch pedestals are only two-high in order to fit under a work surface
- Lateral files are three-high and higher

bookcase basics

The following outlines the features of District bookcases.

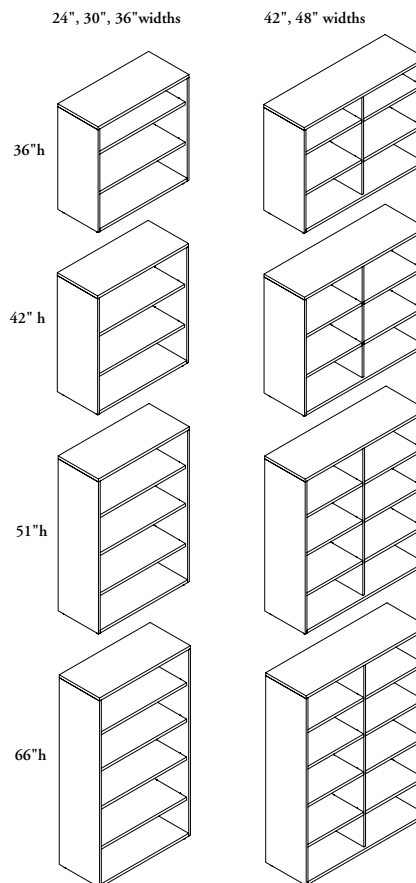
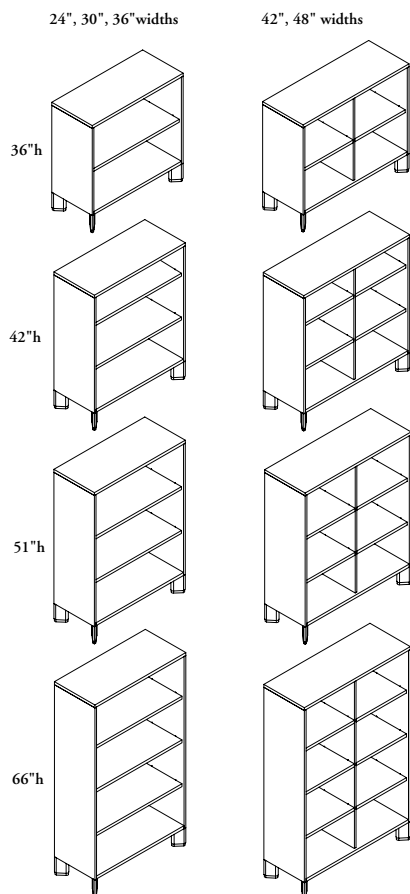


Bookcase – Elevated (UBKE)

- Provides open book storage within a workstation
- Available in heights of 36", 42", 51" & 66", widths of 24" - 48" and a depth of 16"
- The number of shelves varies by height and width
- Offers electrical options of base grommet center (on widths 24" - 36"), base grommet left and base grommet right (on widths 42" or 48")

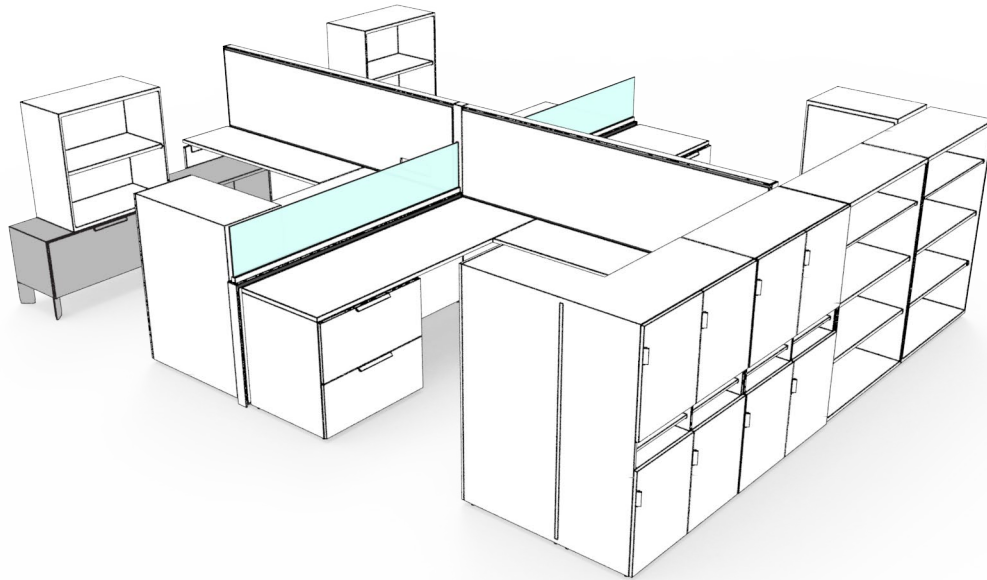
Bookcase – Standard (UBKS)

- Similar to the Bookcase – Elevated (UBKE) but with no electrical options



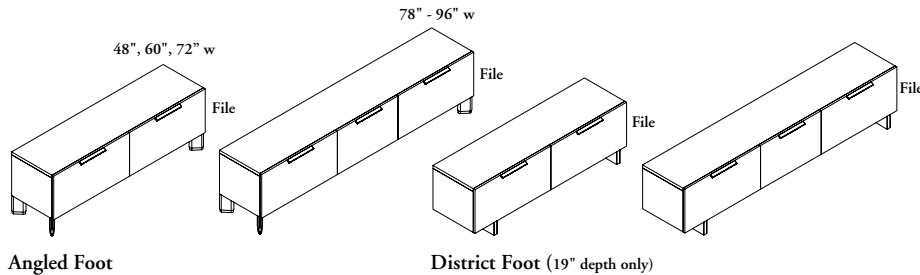
low full drawer credenzas

- Provide full drawer storage
- Available 21" high and depths of 16" & 19"
- Available in widths from 48" - 96" (Laminate is **not** available on 96" wide credenzas)
- 16" deep credenzas do **not** have full extension filing (see filing charts for filing capacity)



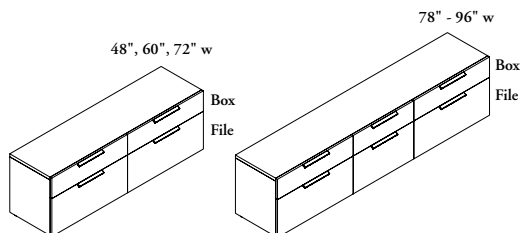
Low Full Drawer Credenza – Elevated (ULDE)

- Available in a file drawer configuration
- 16" deep credenza has the option of angled feet only while the 19" depth has the option of angled or District feet
- 48", 60" & 72" wide credenzas have two file drawers and when specified with angled feet, have the electrical cut out capability for base back, left or right
- 78" - 96" wide credenzas have three file drawers and when specified with angled feet, have the electrical cut out capability for base back, left right or center
- 19" deep credenza can accommodate optional red drawer accessories



Low Full Drawer Credenza – Standard (ULDS)

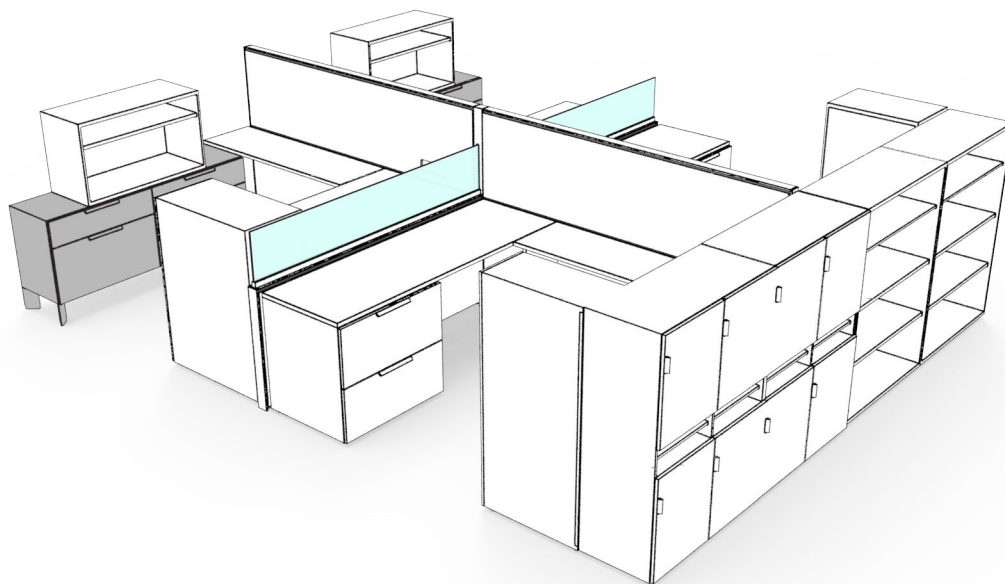
- Available in a box/file drawer combination in each section
- Unable to be powered and **cannot** accommodate red drawer accessories



credenza basics (continued)

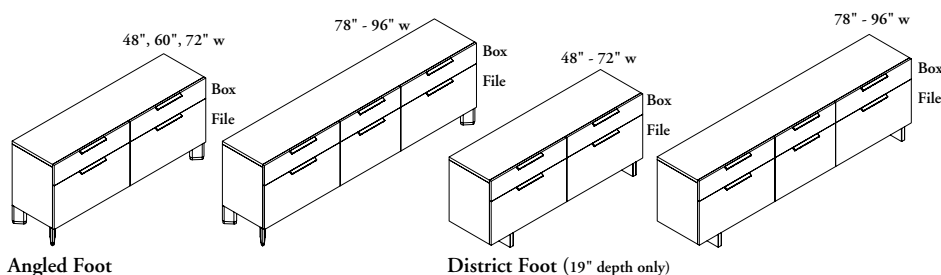
high full drawer credenzas

- Provide full drawer storage at a 28" height and 16" or 19" depths
- Available in widths from 48" - 96" (Laminate is **not** available on 96" wide credenzas)
- If widths of 24", 30" or 36" is required, see Stretch Pedestals
- 16" deep credenzas do **not** have full extension filing (see filing charts for filing capacity)



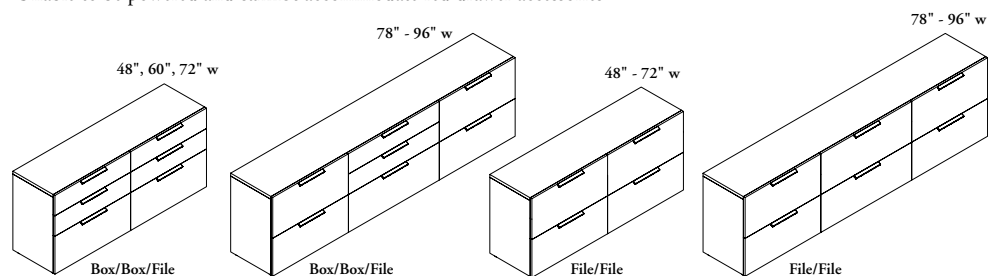
High Full Drawer Credenza – Elevated (UHDE)

- Available in a box/file drawer combination
- 16" deep credenza has the option of angled feet only while the 19" depth has the option of angled or District feet
- 48", 60" & 72" credenzas have two box/file drawers and when specified with angled feet, have the electrical cut out capability for base back, left or right
- 78" - 96" wide credenzas have three box/file drawers and when specified with angled feet, have the electrical cut out capability for base back, left right or center
- Red drawer accessories **cannot** be accommodated in high credenzas



High Full Drawer Credenza – Standard (UHDS)

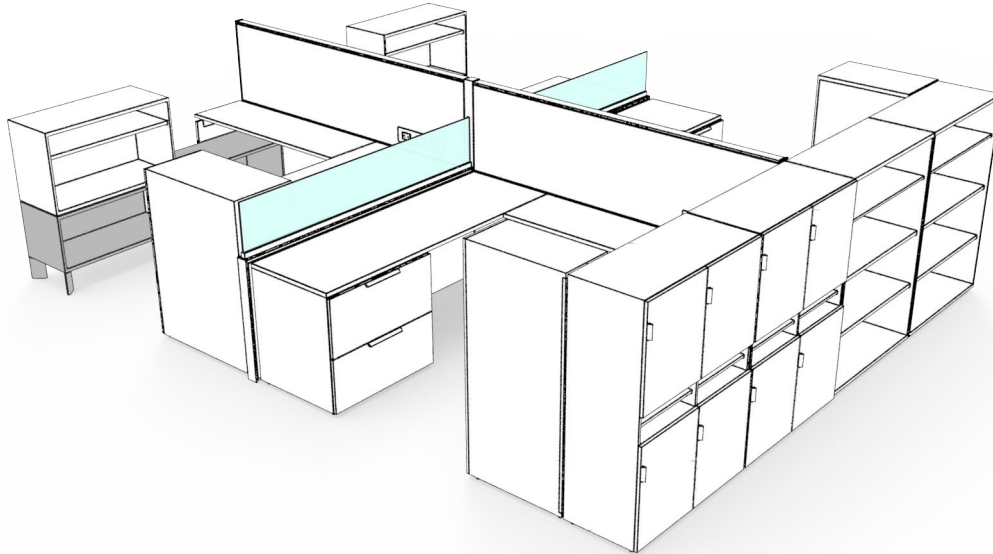
- Available in box/box/file or file/file combinations
- Available in 16" or 19" depths
- On 78" - 96" wide credenzas with the option of a box/box/file drawer combination, only the middle section will have a box/box/file, the other sections will have the file/file combination
- Unable to be powered and **cannot** accommodate red drawer accessories



credenza basics (continued)

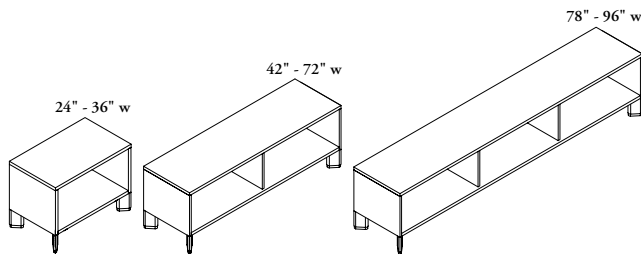
low open credenzas

- Available 21" high and depths of 16" & 19"
- Available in widths from 24" - 96" (Laminate is **not** available on 96" wide credenzas)
- Consists of open shelves only. Number of sections varies by size

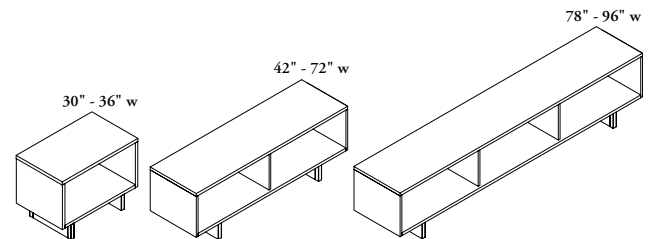


Low Open Credenza – Elevated (ULOE)

- Open sections are single-height
- 16" deep cabinets are available with angled feet only while 19" deep cabinets have the option of angled or District feet
- The angled foot is available with a Base & Top Grommet option into which a Cubby Power Monument (EWQPM) can be mounted



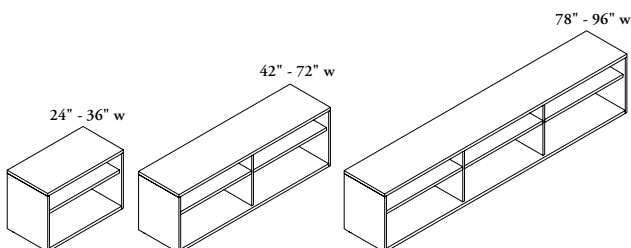
Angled Foot



District Foot (19" depth only)

Low Open Credenza – Standard (ULOS)

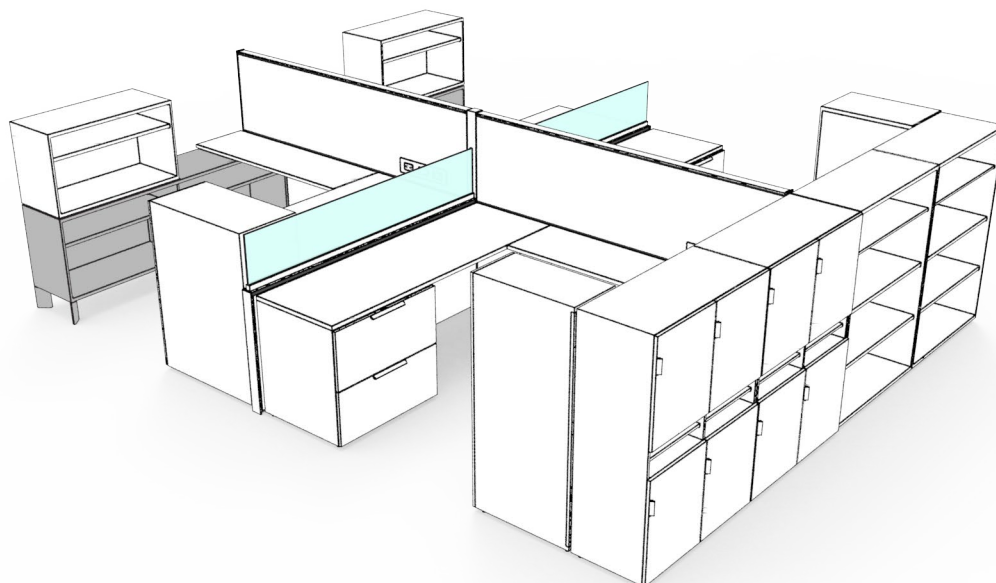
- Open sections have one adjustable shelf each
- Grommet options are unavailable



credenza basics (continued)

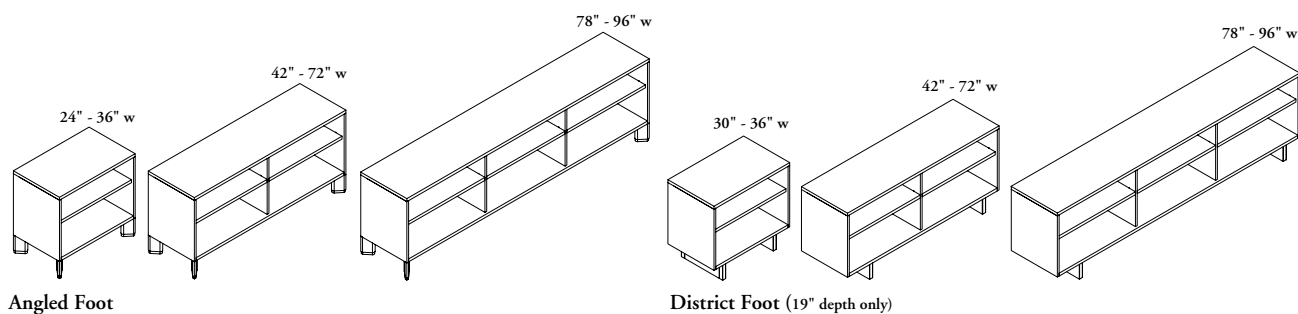
high open credenzas

- Available 28" high and depths of 16" & 19"
- Available in widths from 24" - 96" (Laminate is **not** available on 96" wide credenzas)
- Consists of open shelves only. Number of sections varies by size



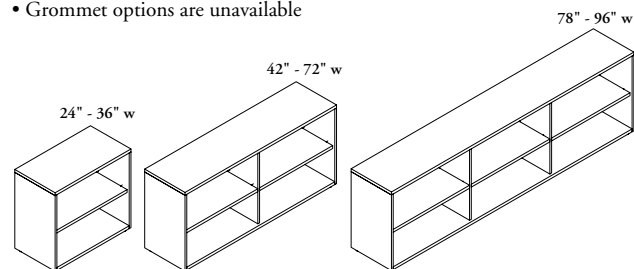
High Open Credenza – Elevated (UHOE)

- Open sections have one adjustable shelf each
- 16" deep cabinets are available with angled feet only while 19" deep cabinets have the option of angled or District feet
- The angled foot is available with a Base & Top Grommet option into which a Cubby Power Monument (EWQPM) can be mounted



High Open Credenza – Standard (UHOS)

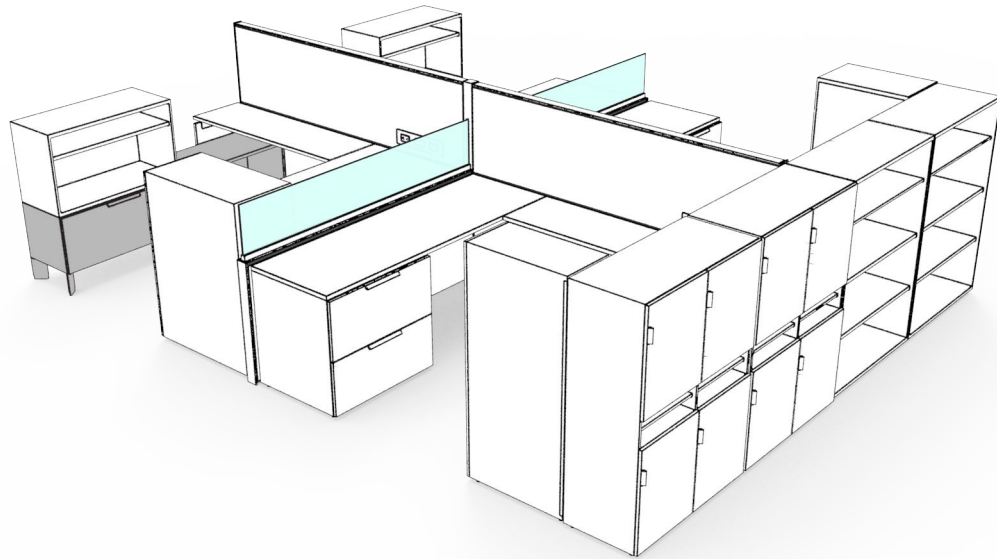
- Open sections have one adjustable shelf each
- Grommet options are unavailable



credenza basics (continued)

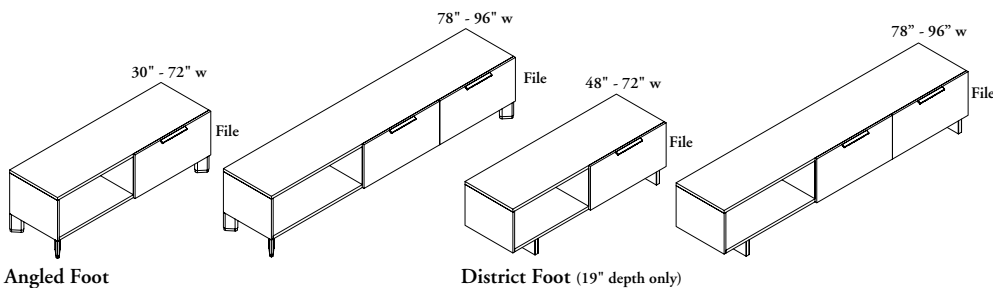
low open with drawer credenzas

- Available 21" high and depths of 16" & 19"
- Available in widths from 30" - 96" (Laminate is **not** available on 96" wide credenzas)
- Consists of one open section and one or two filing sections depending on width
- Cabinets are handed, determined by the location of the open section
- 16" deep credenzas do **not** have full extension filing (see filing charts for filing capacity)



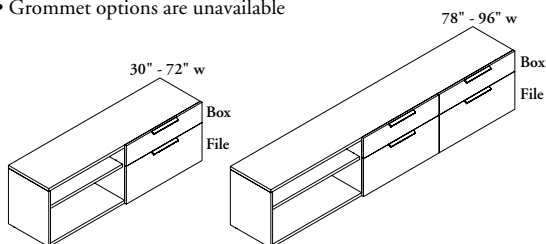
Low Open with Drawer Credenza – Elevated (ULHE)

- Available with a file drawer configuration and a single-height opening
- 16" deep credenzas are available with angled feet and the option of Base Back Cut Out or Base and Top Grommets
- 19" deep credenzas are available with angled feet and the option of Base Back Cut Out or Base and Top Grommets, or with District feet, which has no option for grommets
- If Base Back Cut Out is selected, cut out will appear on the back of the section with the drawer. If the width of the credenza is longer than 78" (two drawers) then the cut out is at the end section (**not** the center). If Base & Top Grommet is selected, it will appear in the open section of the credenza
- The Cubby Power Monument (EWQPM) can be mounted into the base grommet holes providing power & data access in the open sections of a credenza



Low Open with Drawer Credenza – Standard (ULHS)

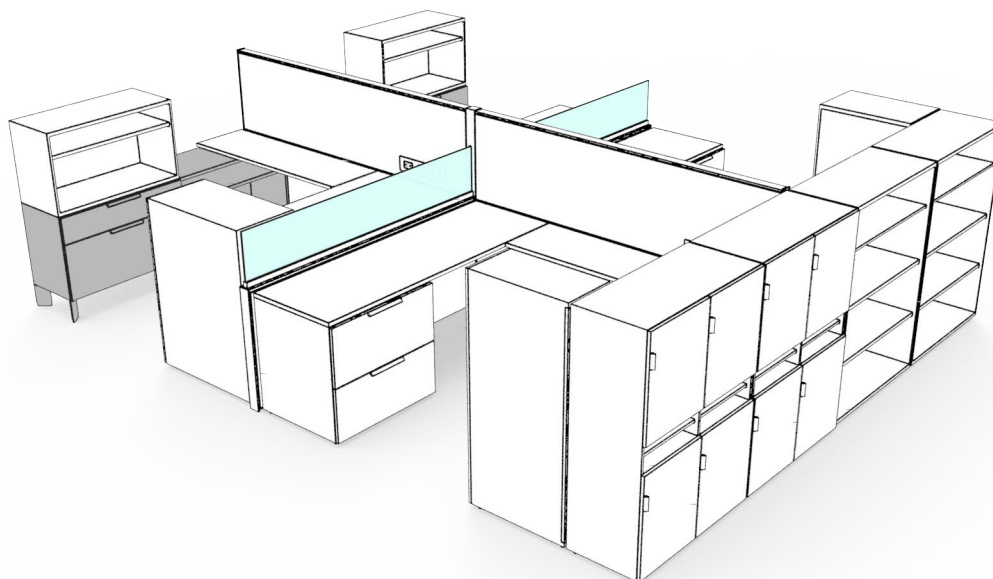
- Available with box/file drawer combination and one adjustable shelf in open section
- Grommet options are unavailable



credenza basics (continued)

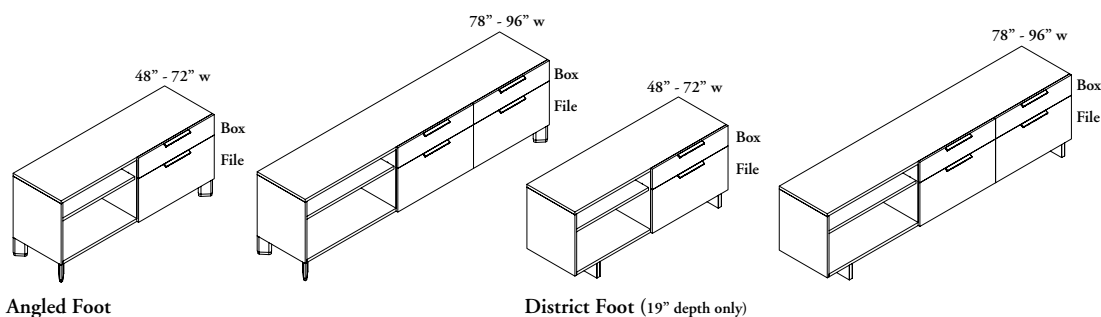
high open with drawer credenzas

- Available 28" high and depths of 16" & 19"
- Available in widths from 48" - 96" (Laminate is **not** available on 96" wide credenzas)
- Consists of one open section and one or two filing sections depending on width
- Cabinets are handed, which is determined by the location of the open section
- 16" deep credenzas do **not** have full extension filing (see filing charts for filing capacity)



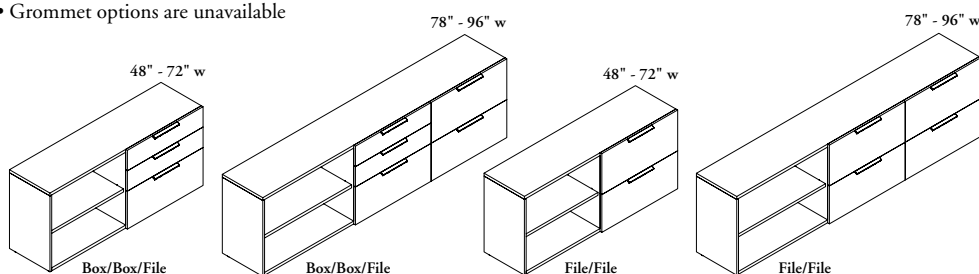
High Open with Drawer Credenza – Elevated (UHHE)

- Available with a box/file drawer combination and one adjustable shelf in open section
- 16" deep credenzas are available with angled feet and the option of Base Back Cut Out or Base and Top Grommets
- 19" deep credenzas are available with angled feet and the option of Base Back Cut Out or Base and Top Grommets, or with District feet, which has no option for grommets
- If Base Back Cut Out is selected, cut out will appear on the back of the section with the drawer. If the width of the credenza is longer than 78" (two drawers) then the cut out is at the end section (**not** the center). If Base & Top Grommet is selected, it will appear in the open section of the credenza



High Open with Drawer Credenza – Standard (UHHS)

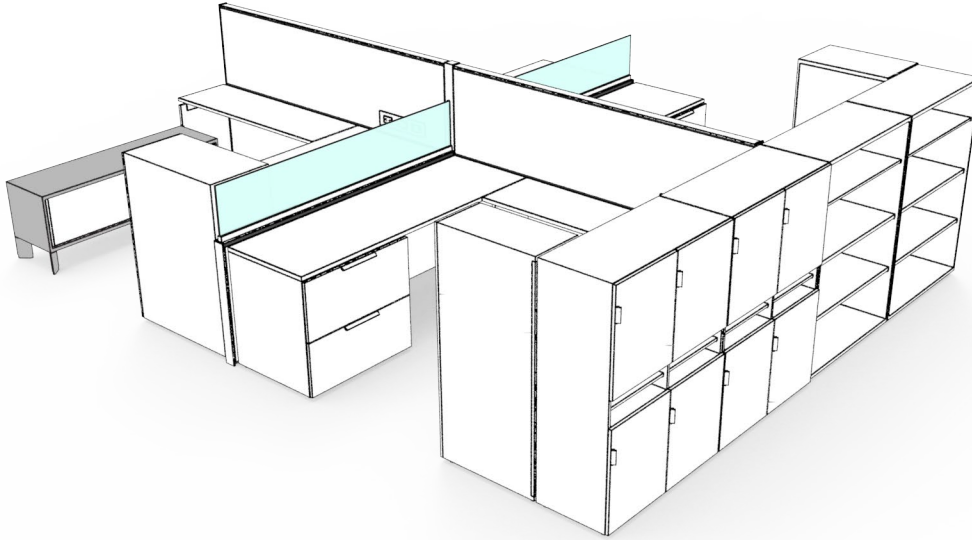
- Available with box/box/file or file/file drawer combination and one adjustable shelf in each open section
- When the 78" - 96" wide credenza is specified with the box/box/file drawer combination, only the center section will have the box drawers, the other sections will have the file/file drawer combination
- Grommet options are unavailable



credenza basics (continued)

low double sliding door credenzas

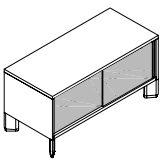
- Available in a height of 21" and depths of 16" & 19"
- Available in widths from 42" - 96" (Laminate is not available in 96" wide credenza)
- Consists of two sections with two sliding doors
- Sliding doors are available in solid or glass finish



185

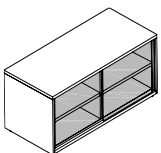
Low Double Sliding Door Credenza – Elevated (ULSE)

- 16" deep credenzas are available with angled feet and the option of Base and Top Grommets
- 19" deep credenzas are available with angled feet and the option of Base and Top Grommets, or with District feet, which has no option for grommets
- Double Sliding Door Credenzas will always have two sections secured with two sliding doors regardless of the width of the unit
- The 16" deep **cannot** be specified with a District Foot (D)
- Grommet option is available for casual power and data routing only. The Cubby Power Monument (EWQPM) **cannot** be used
- The Reconfigurable Low Credenza-to-Worksurface Support (UWCPWN) **cannot** be used with this unit as it will interfere with the sliding door
- It is **not** recommended that Double Sliding Door Credenzas be used to support worksurfaces in a perpendicular application as handle pulls will be difficult to reach under the worksurface



Low Double Sliding Door Credenza – Standard (ULSS)

- Double Sliding Door Credenzas will always have two sections secured with two sliding doors regardless of the width of the unit
- Each section will come with one adjustable shelf
- The Reconfigurable Low Credenza-to-Worksurface Support (UWCPWN) **cannot** be used with this unit as it will interfere with the sliding door
- It is **not** recommended that Double Sliding Door Credenzas be used to support worksurfaces in a perpendicular application as handle pulls will be difficult to reach under the worksurface
- Grommet options are unavailable

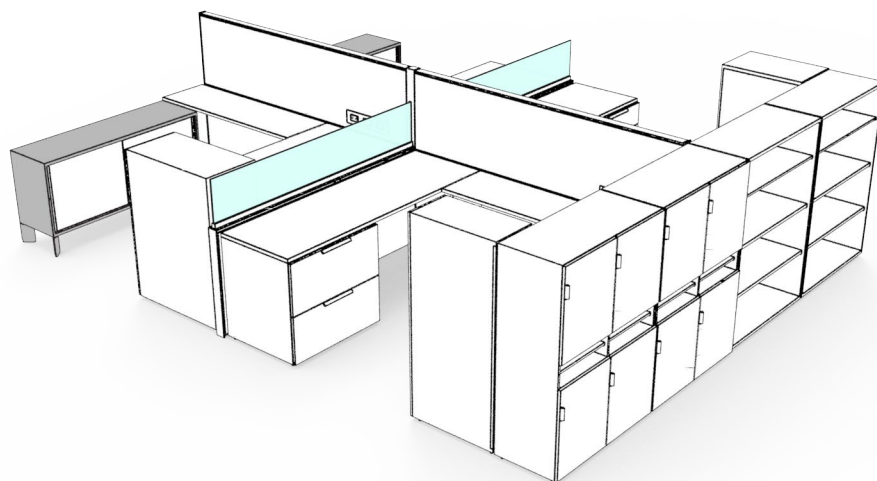


credenza basics (continued)

high double sliding door credenzas

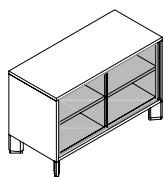
- Available in a height of 28" and depths of 16" & 19"
- Available in widths from 42" - 96" (Laminate is not available in 96" wide credenza)
- Consists of two sections with two sliding doors
- Sliding doors are available in solid or glass finish

186



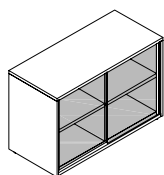
High Double Sliding Door Credenza – Elevated (UHSE)

- 16" deep credenzas are available with angled feet and the option of Base and Top grommet
- 19" deep credenzas are available with angled feet or with District feet and the option of Base and Top grommet or with District feet which has no options for grommets
- Double Sliding Door Credenzas will always have two sections secured with two sliding doors regardless of the width of the unit
- Each section will come with one adjustable shelf
- The 16" deep **cannot** be specified with a District Foot (D)
- Grommet option is available for casual power & data routing only. The Cubby Power Monument (EWQPM) **cannot** be used
- It is **not** recommended that Double Sliding Door Credenzas be used to support worksurfaces in a perpendicular application as handle pulls will be difficult to reach under the worksurface



High Double Sliding Door Credenza – Standard (UHSS)

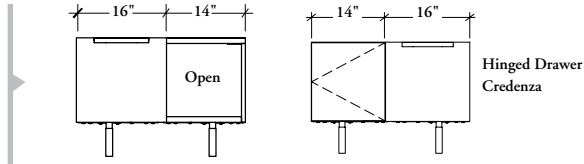
- Each section will come with one adjustable shelf
- Double Sliding Door Credenzas will always have two sections secured with two sliding doors regardless of the width of the unit
- It is **not** recommended that Double Sliding Door Credenzas be used to support worksurfaces in a perpendicular application as handle pulls will be difficult to reach under the worksurface
- Grommet option is available for casual power and data routing only. The Cubby Power Monument (EWQPM) **cannot** be used



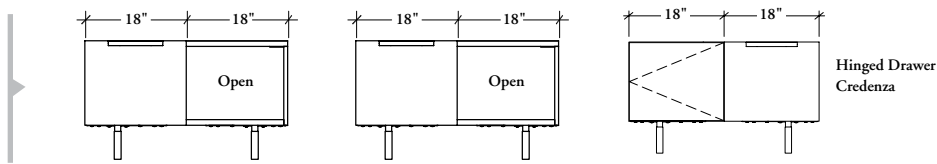
credenza drawer widths

The following illustrates District credenza drawer and open section widths.

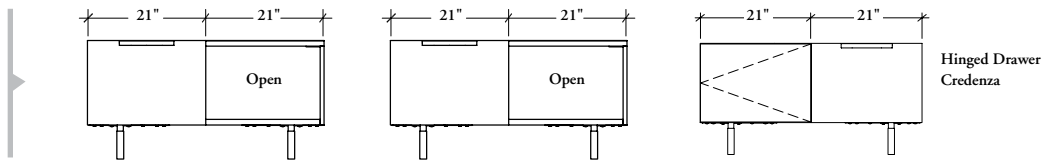
30" Width



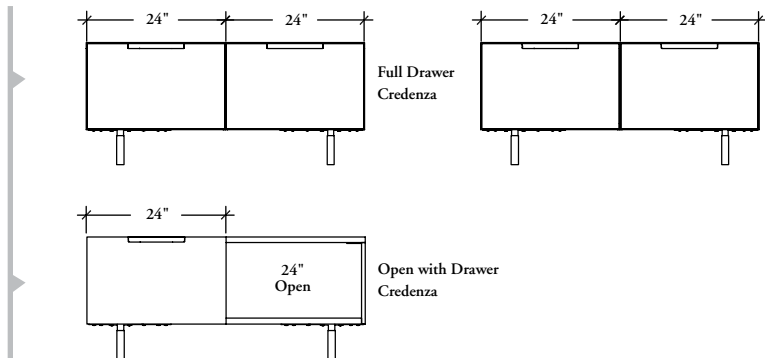
36" Width



42" Width



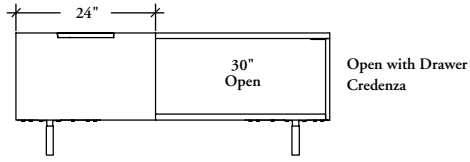
48" Width



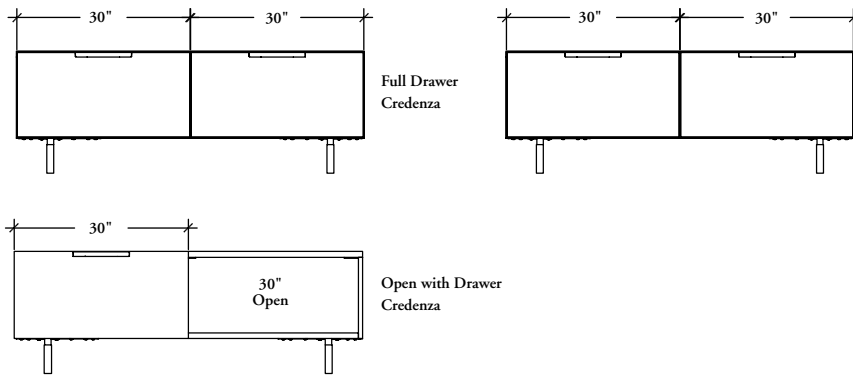
credenza drawer widths (continued)

The following illustrates District credenza drawer and open section widths.

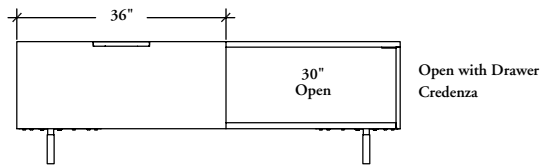
54" Width



60" Width



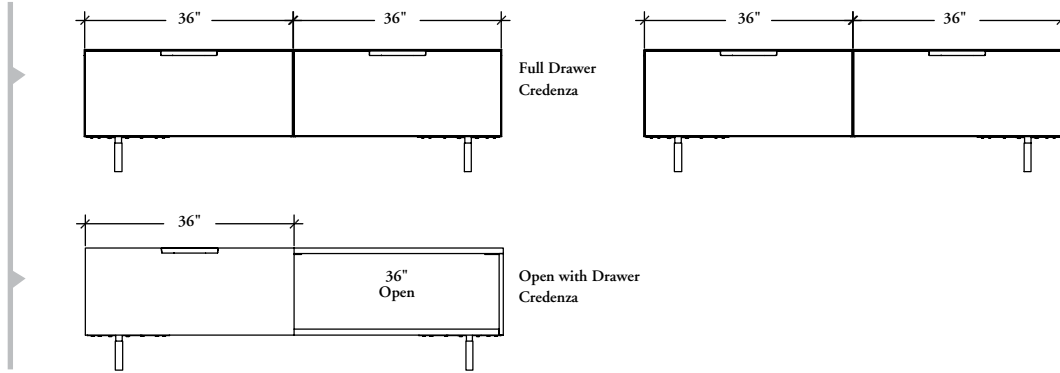
66" Width



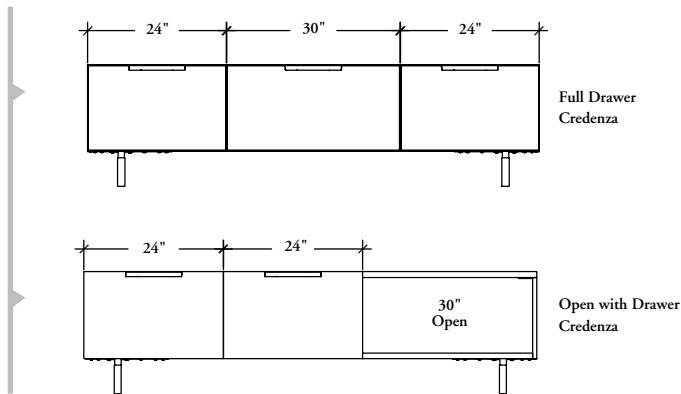
credenza drawer widths (continued)

The following illustrates District credenza drawer and open section widths.

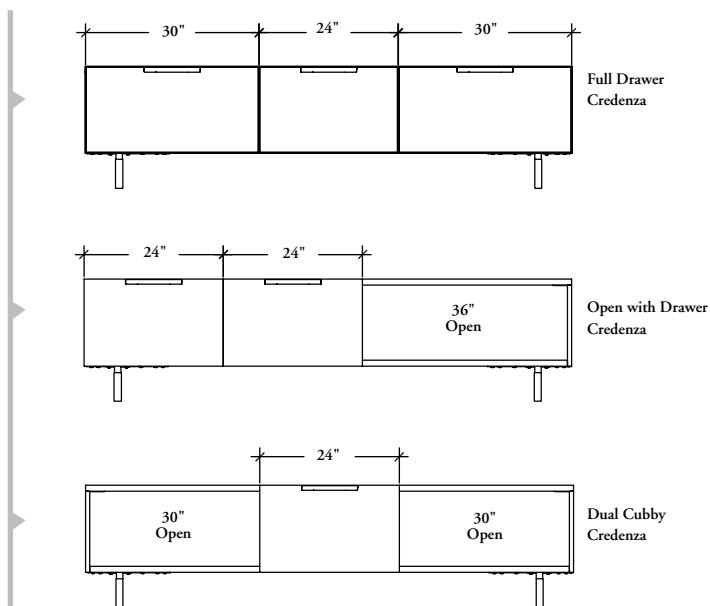
72" Width



78" Width

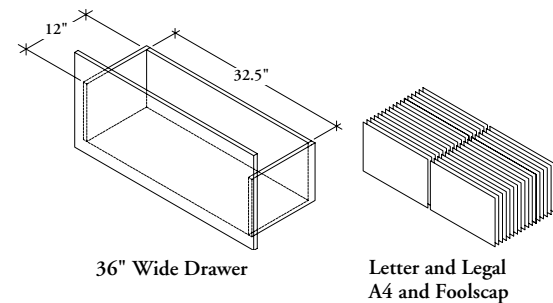
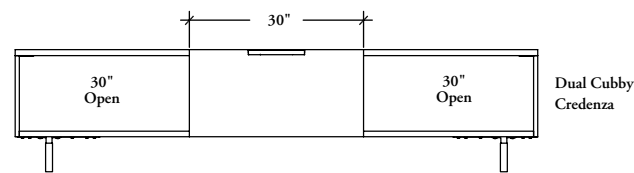
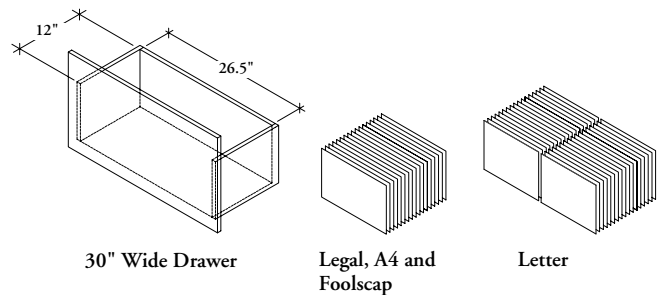
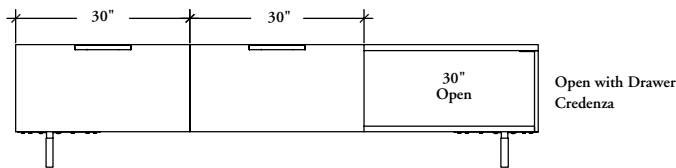
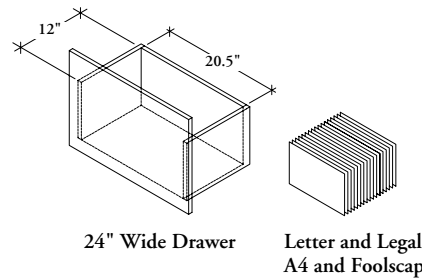
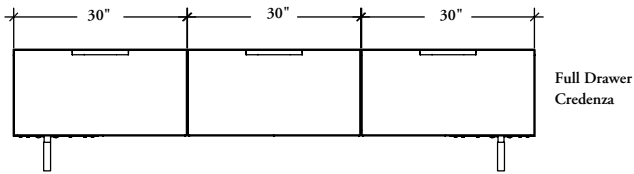


84" Width

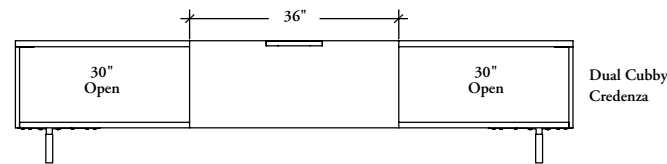
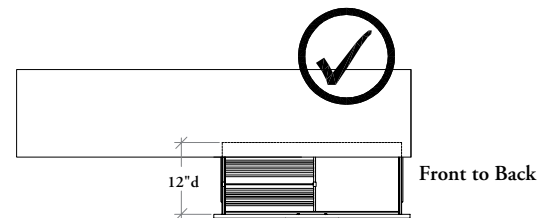
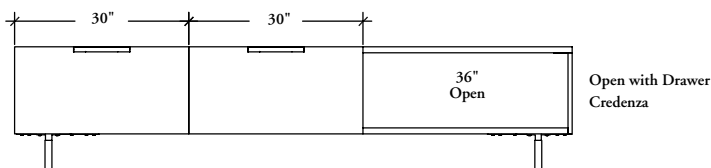
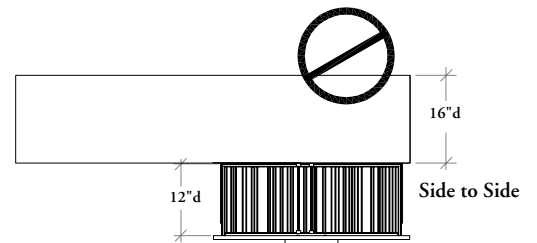
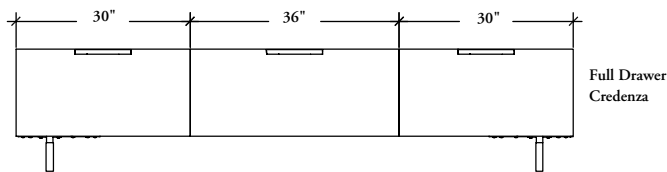


credenza drawer widths (continued)

90" Width



96" Width

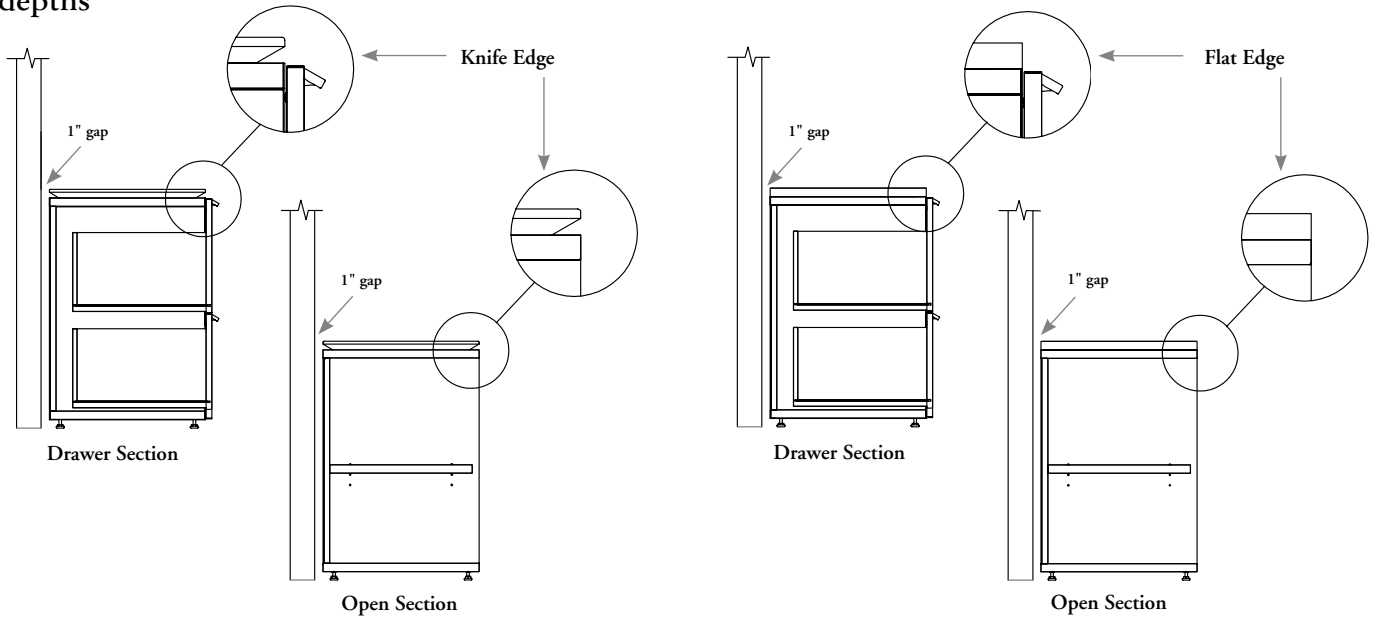


- 16" deep file drawers do **not** have full extension files
- Filing must be front-to-back **not** side-to-side
- On 24" width file drawers only one front-to-back filing section can be used (letter, legal, A4 or foolscap)
- On 30" width file drawers two front-to-back filing sections can be used (letter) or one filing section (legal, A4 or foolscap)
- On 36" width filing drawers, front-to-back filing sections can be used (letter, legal, A4 or foolscap)

planning with credenzas

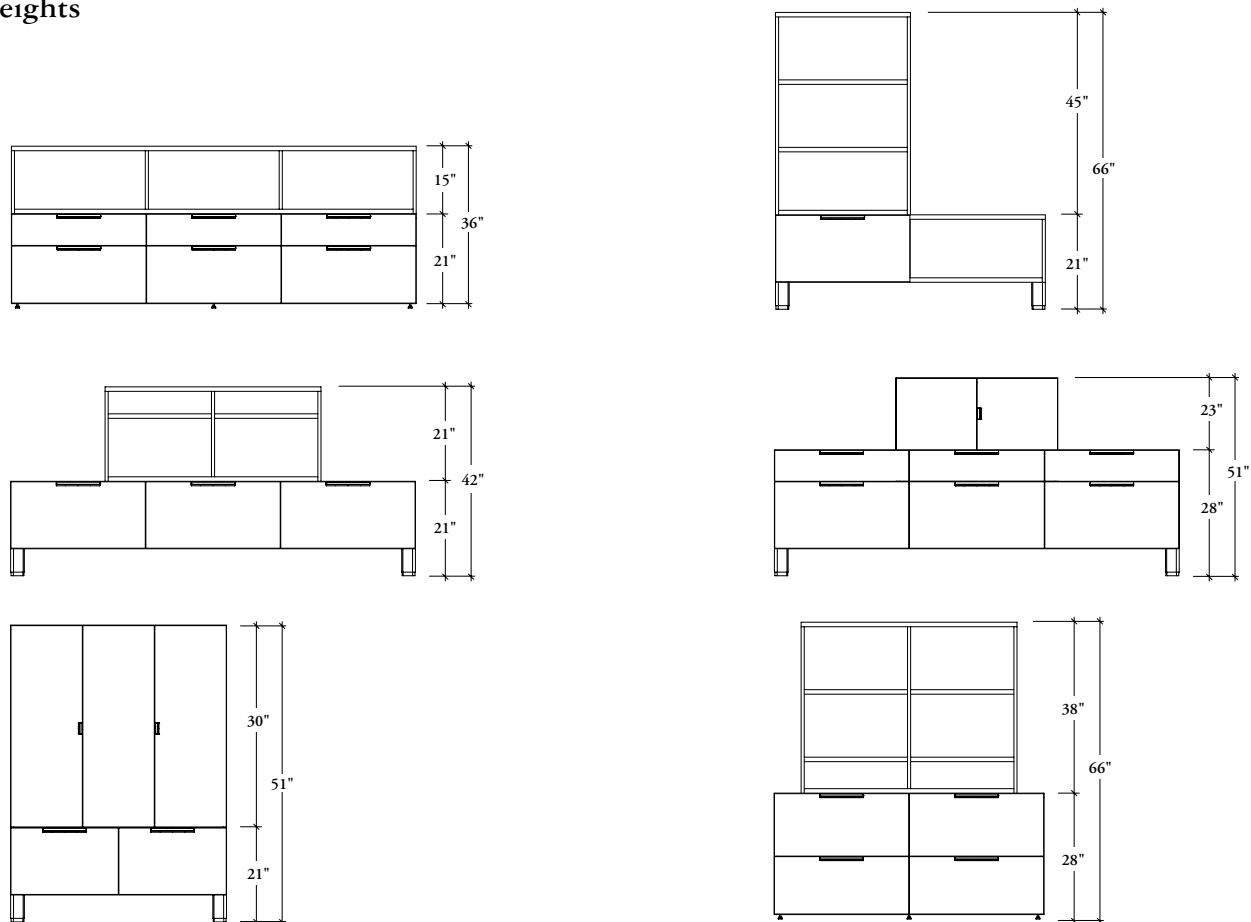
The following should be considered with planning with District credenzas.

depths



- District credenzas are sized to match the actual depth of District worksurfaces (i.e., 19")
- The body of the credenza, including the open shelf section aligns with the District work surface, and the door on the drawer section sits in front of the surface

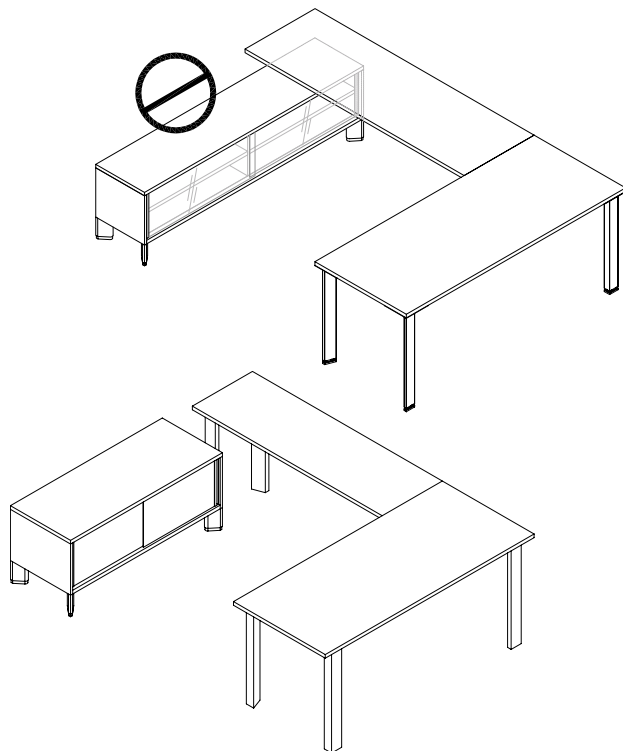
heights



- District credenza heights when combined with stackers match typical Teknion datum heights

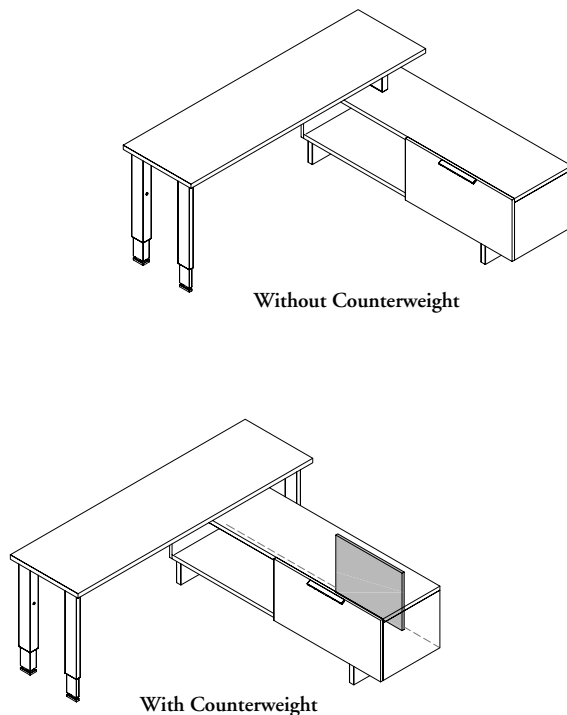
planning with credenzas (continued)

double sliding door location



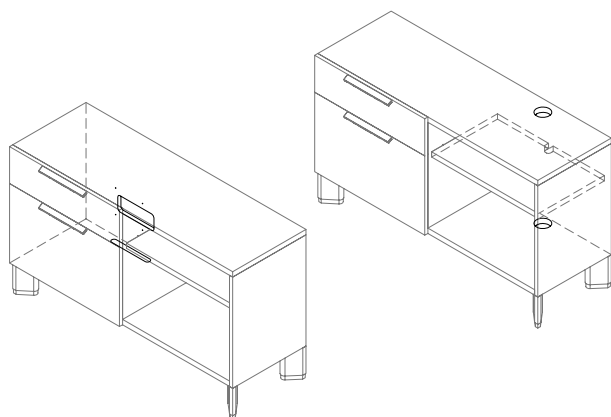
- The pulls on Double Sliding Door Credenzas are on the outside ends of the doors, **not** in the center; it is **not** recommended that they be used under a worksurface as it is difficult to reach the handle

counterweights



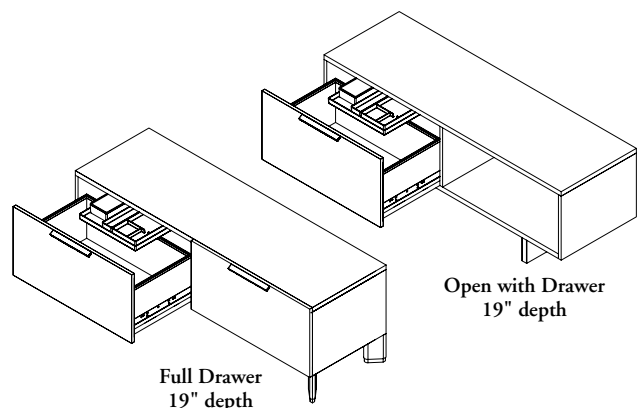
- District credenzas with drawers are available with a counterweight option. Counterweights are only required if the credenza is freestanding
- If it is attached to a panel or worksurface, the counterweight is **not** required

electrical



- Electrical options are not available on widths 30", 36" & 42"
- Both the open section and the drawer filing section of a credenza with angled legs can accommodate power
- The open cubby section can accommodate a grommet for casual wire management or a Cubby Power Monument (EWQPM) purchased separately for multi-circuit power and data
- The drawer section can be specified with a "back cut out" where a Flush Mount Power & Data (EWQP) unit can be mounted for multi-circuit power & data on the back of the storage unit

red drawer accessories



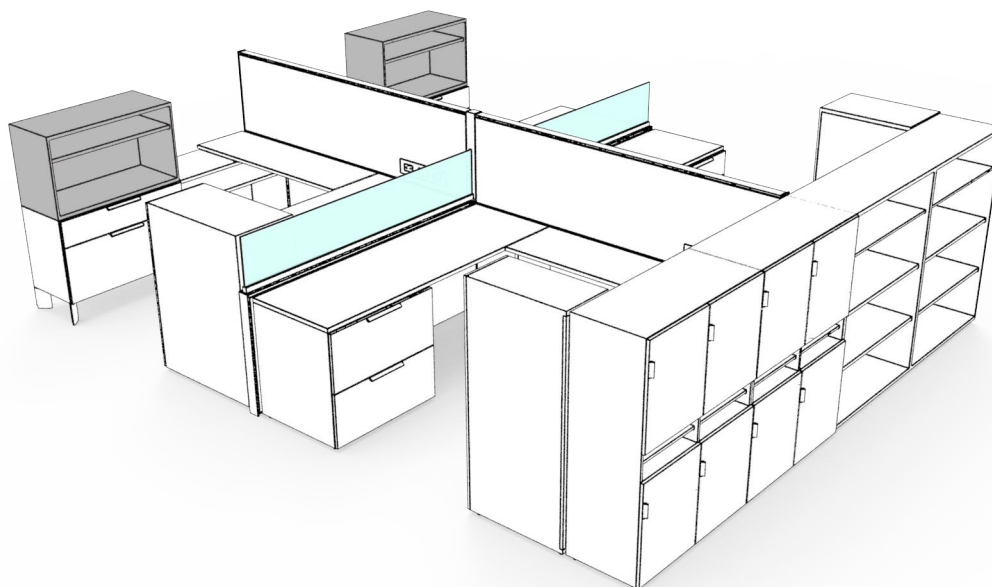
- The Red Tray Accessory option is available on 19" deep credenzas that have a single file drawer, they are **not** available on 16" deep credenzas
- They can be used with the angled or District foot options except widths 30", 36" & 42"
- Red Tray Accessories will only come in one drawer
- When credenzas have three drawers, the red tray accessories are located in the center drawer. When credenzas have two drawers, accessories are located in the left drawer

stacker basics

The following outlines the features of District stackers.

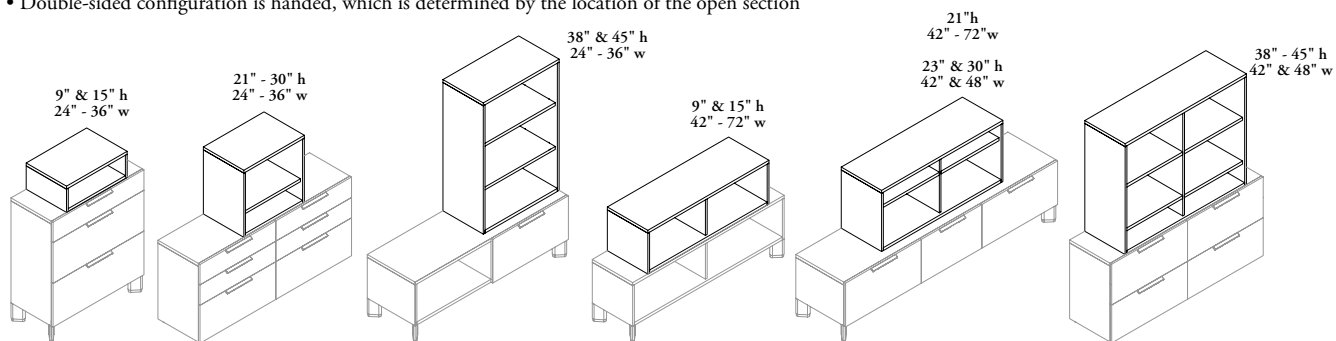
stackers

- Stack onto base storage units to provide storage to an overall maximum height of 66"
- Can be used for space division when panels are **not** required
- **Cannot** be used as stand alone storage or stacked onto each other, they must be stacked onto another base storage unit
- All stackers are 16" deep and can be stacked onto 16" or 19" deep lower storage

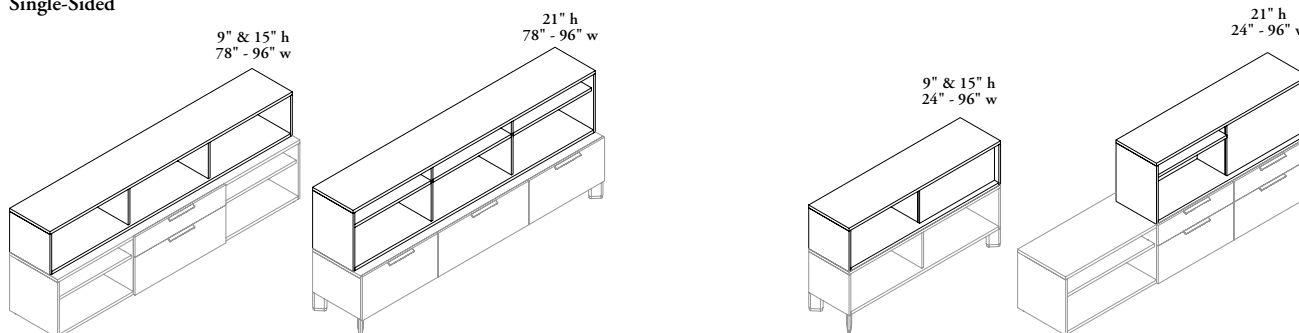


Open Stackers (UCO)

- Provide open stacked storage
- Available in heights of 9" - 45", to match standard District datum heights (36", 42", 51" & 66") and widths of 24" - 96"
- Number of open compartments varies depending on height and width (see charts)
- Heights 9", 15" & 21" are available single- or double-sided to allow maximum planning flexibility
- Double-sided configuration is handed, which is determined by the location of the open section



Single-Sided



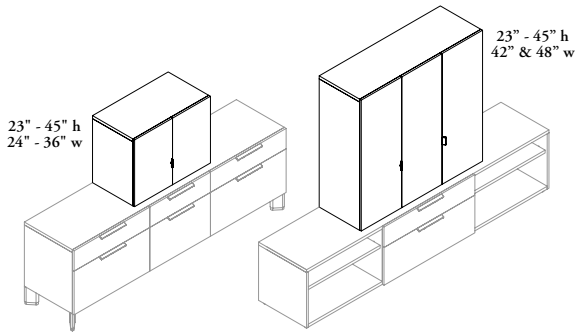
Single-Sided

Double-Sided

stacker basics (continued)

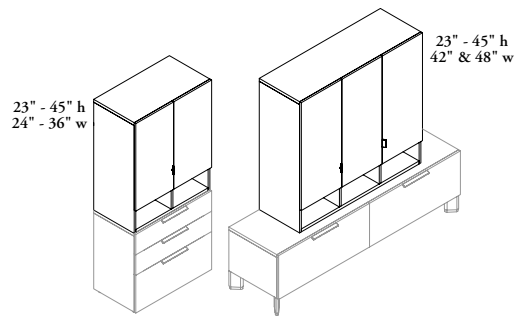
Closed Stackers (UCC)

- Provide closed stacked storage
- Available in heights of 23", 30", 38" & 45", to match standard District datum heights when combined with corresponding base units and widths of 24" - 48"
- 24" - 36" wide stackers are complete with two single-hinged doors and 42" - 48" wide stackers are complete with three doors, two that bi-fold and one hinged door
- All units are handed. Handedness on widths 24", 30" & 36" will indicate which door will have the handle and lock, whereas handedness on widths 42" & 48" will indicate the location of the single hinged door.



Closed Stacker with Cubbies (UCB)

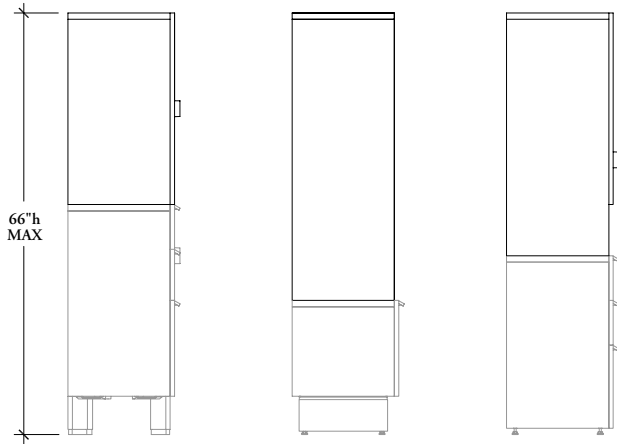
- Provides closed stacked storage with open cubbies at the bottom
- Available in heights of 23", 30", 38" & 45", to match standard District datum heights (42", 51" & 66"), and widths of 24" - 48"
- 24" - 36" wide stackers are complete with two single-hinged doors and the 42" & 48" wide stackers are complete with three doors, two that bi-fold and one hinged door
- 42" & 48" wide stackers are handed, which is determined by the location of the single hinged door



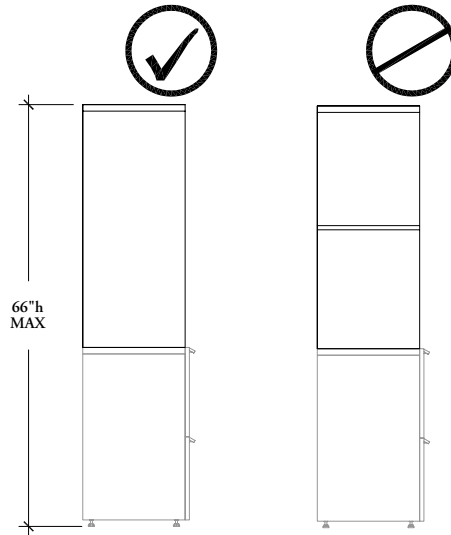
planning with stackers

The following should be considered with planning with District stackers.

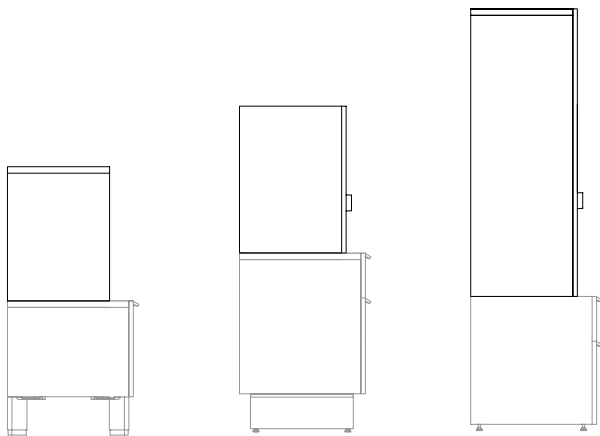
196



• Cabinets can be stacked in various combinations up to a maximum of 66" high

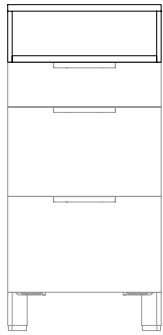


• Only one stacker can be used, the 66" high maximum

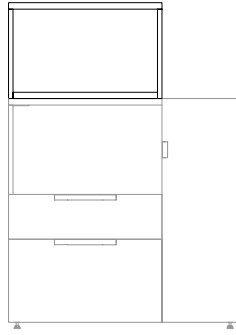


• Stackers do **not** need to be the same depth as the cabinet to which they are being stacked (ex. 16" deep stackers can be stacked onto 19" deep credenzas)

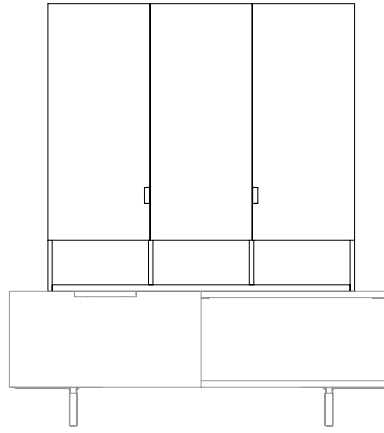
planning with stackers (continued)



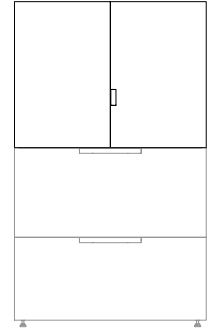
Base Cabinet: Lateral File



Base Cabinet: Tower

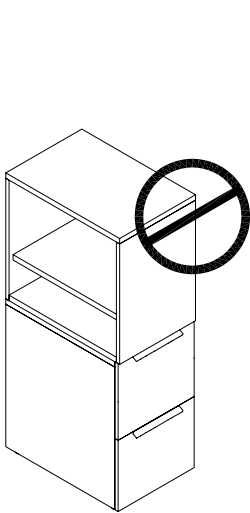


Base Cabinet: Credenza

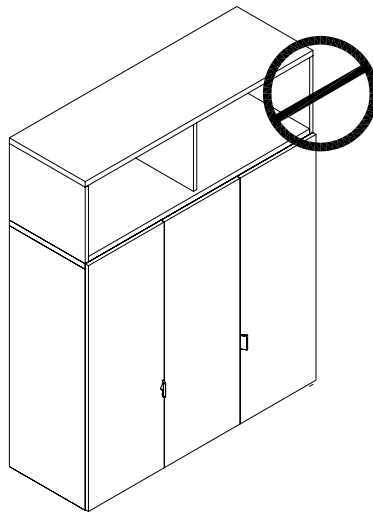


Base Cabinet: Stretch Pedestal

- Stackers must be stacked onto a base cabinet, they **cannot** start from the floor
- Base cabinets include lateral files, towers, credenzas and stretch pedestals



Stacker on Pedestal



Stacker on Stacker

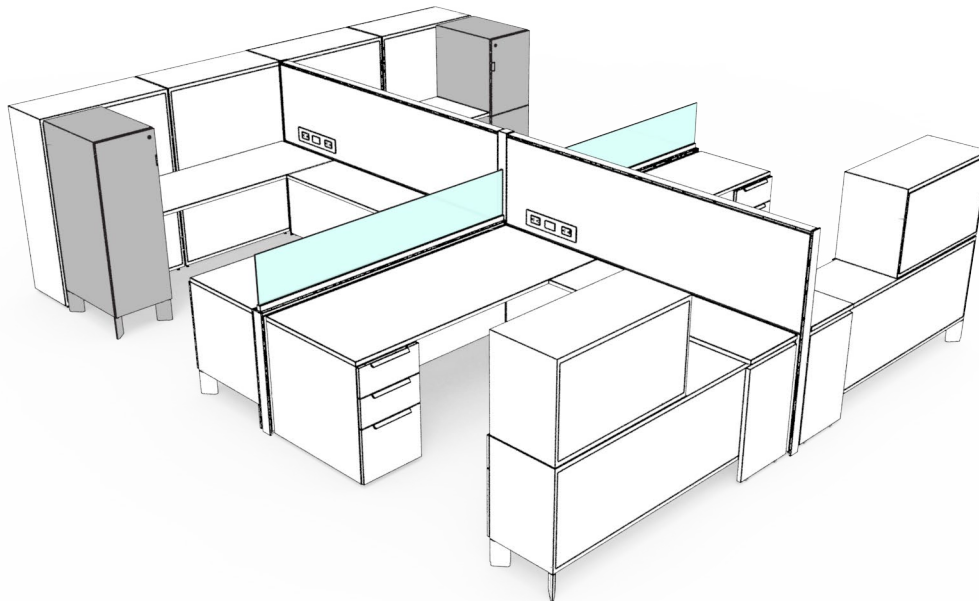
- Stackers **cannot** be stacked on pedestals, single lockers or other stackers

single locker basics

The following outlines the features of District Lockers.

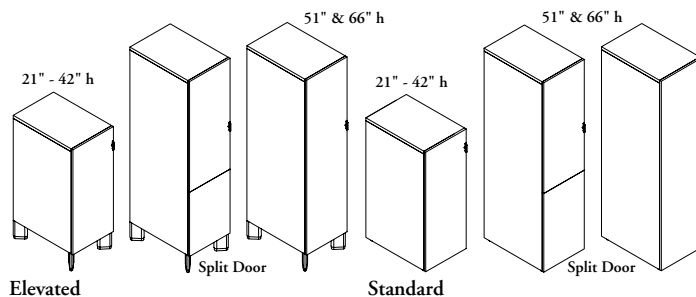
single lockers

- Single Lockers are available in a variety of combinations to provide coat storage, cubbies and secured shelving
- Available in heights from 21" - 66" depending on the configuration
- Available in elevated and standard styles, elevated style having the angled foot
- The 12" single locker must be linked to a panel or worksurface
- Lockers must be specified left or right, handedness being determined by the location of the open section or hinge, depending on the configuration (see individual descriptions)



Single Locker with Solid Back (UKSD)

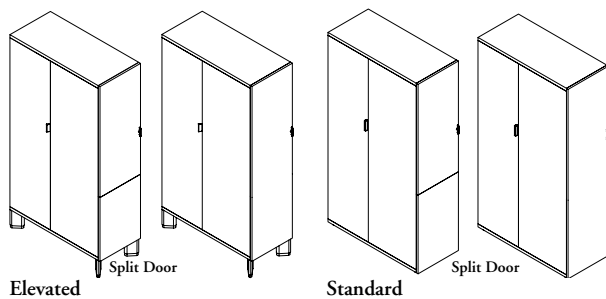
- Provides coat or shelf storage accessible from the front with an option for a full or split door
- Coat hooks are available depending on the cabinet depth when Closet (C) interior configuration is specified
- Available in depths of 16", 19" or 23" and widths of 12" & 16" to match typical District planning sizes
- Full door option is available with either a closet configuration (51" or 66" high) or secured shelving configuration. Split door option is available with a recycle configuration with a lockable top shelf section and unlockable bottom section with two recycle bins
- Grommet options are unavailable



single locker basics (continued)

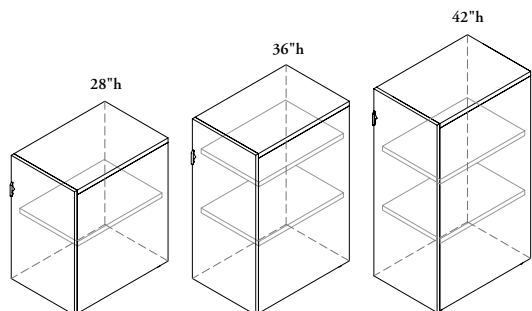
Single Locker with Side Closet (UKC)

- Provides storage accessible from the front of the cabinet, and a closet on the side
- Available in heights of 51" & 66" in depths of 23", 29" & 35" and in widths of 12" & 16" to match typical District planning sizes
- Side closet is a full door and can be specified on either the right or the left side, handedness is determined by the location of the closet
- Front door is available in full-height or split-height
- The 12" wide locker **cannot** be used in a freestanding application. It must be attached to a worksurface or panel or linked to another storage unit
- When Split Door (S) option is specified, the bottom section will have no lock and will come with two recycle bins. The top lockable section will have shelves
- When Full Door (F) option is specified, the front section will be configured with shelves
- The 23" depth will come with one coat hook and the 29" & 35" depths will come with two coat hooks for the side closet
- The front section will always be 16" deep, regardless of total depth of the unit. The width of the side closet will vary

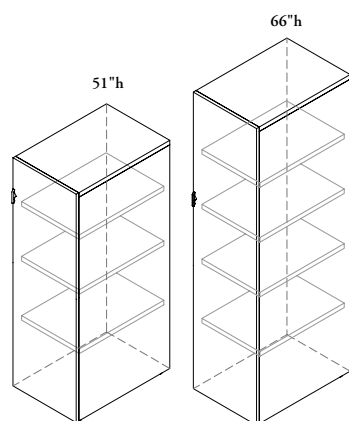


planning with single lockers

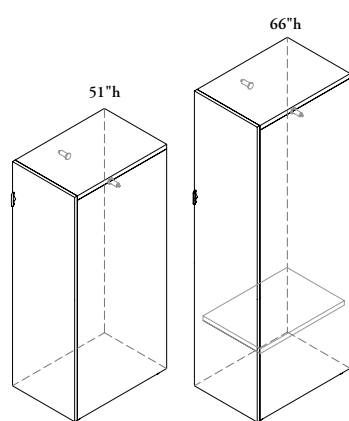
The following should be considered with planning with District Lockers.



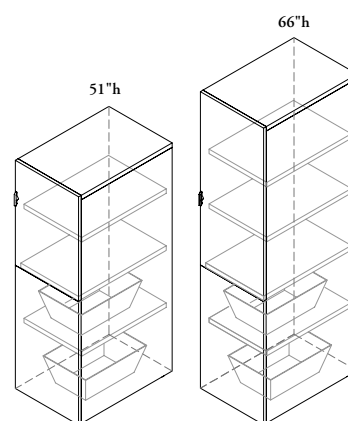
Full Door with Shelves (only option on 28", 36" & 42" heights)



Full Door with Shelves

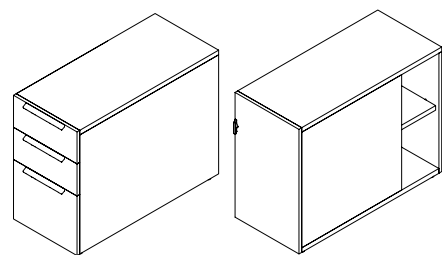


Full Door with Closet

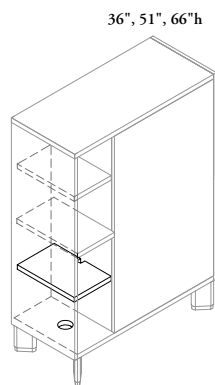


Split Door with Shelves and Recycling Compartment

- 28", 36" & 42" high single lockers are available with a full door and shelves only, but the 51" & 66" high lockers are available with a split door with shelves and a recycling compartment, full door with closet, or full door with shelves
- The 23" deep Solid Back Locker or the 35" deep Cubby Back Locker will include a coat rod (as apposed to a coat hook) if Closet configuration is selected



Pedestal, Solid Back Locker with Cubbies only

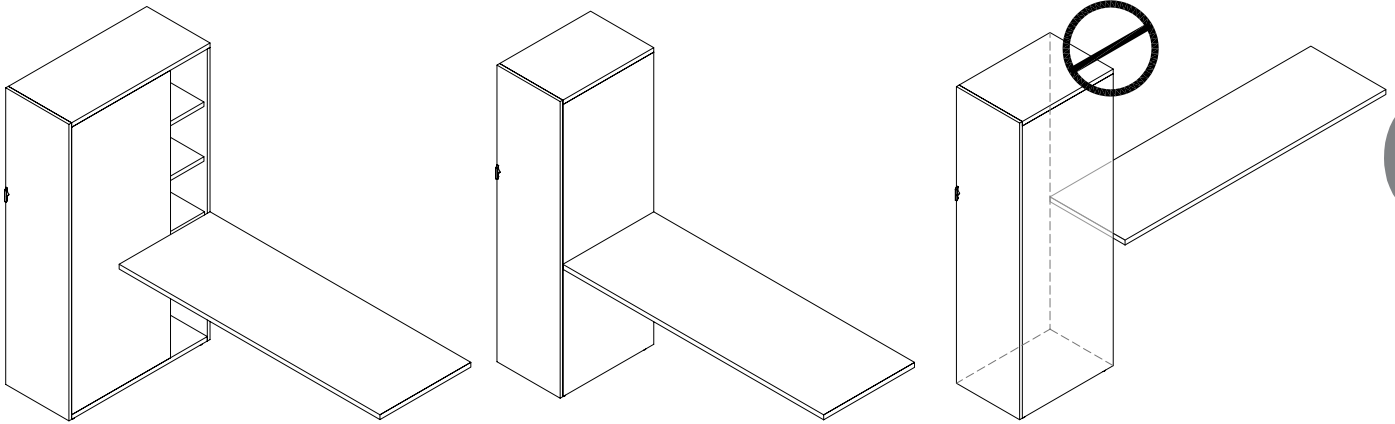


Base Grommet

- 29" & 35" deep single lockers are different in configuration than pedestals of the same depths
- Pedestals are available either full depth or with cubbies, but the locker is only available with the cubby option
- There is no option for a full depth single lockers

- The single locker with angled foot has a base grommet or base cut out option

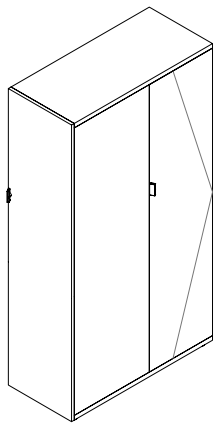
planning with single lockers (continued)



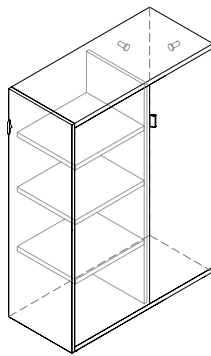
• Worksurfaces can mount from the side of a single locker, either the same depth or when the cabinet is deeper than the surface – they also mount to the side when the unit is complete with cubbies

• The surface **cannot** mount from the end of the cabinet, they must mount to the side

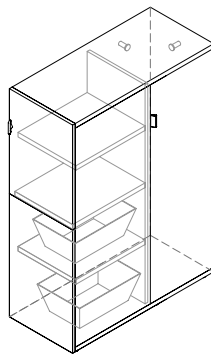
locker with side closet



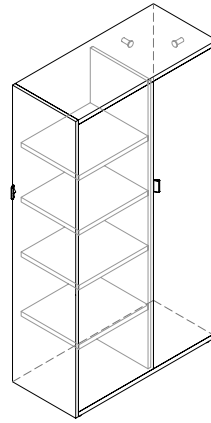
Right Handed



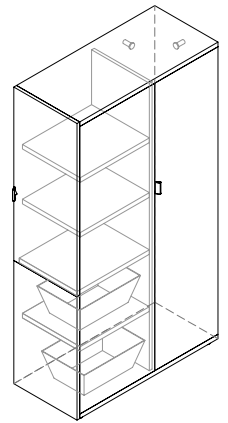
Full Door



Split Door



Full Door



Split Door

• Handedness of a locker with side closet is determined by the side that the closet is on

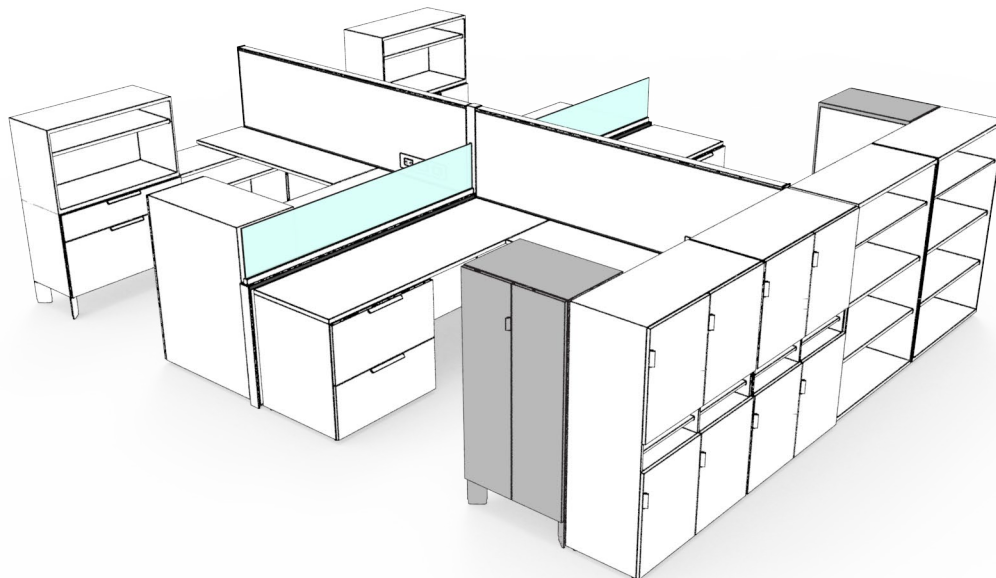
• Available in heights of 51" & 66" only and with options for a split door which contains shelves and a recycling compartment, or a full door with shelves only

• Front shelf section is always 16" deep the width of the side closet is dependent on the depth of the unit specified

dual, triple & quad locker basics

dual & quad lockers

- Dual and Quad Lockers provide coat storage, shelf storage or a combination of both in dual or quad configurations
- Available in elevated and standard styles, the elevated having the angled foot
- Can be linked to each other or to other storage

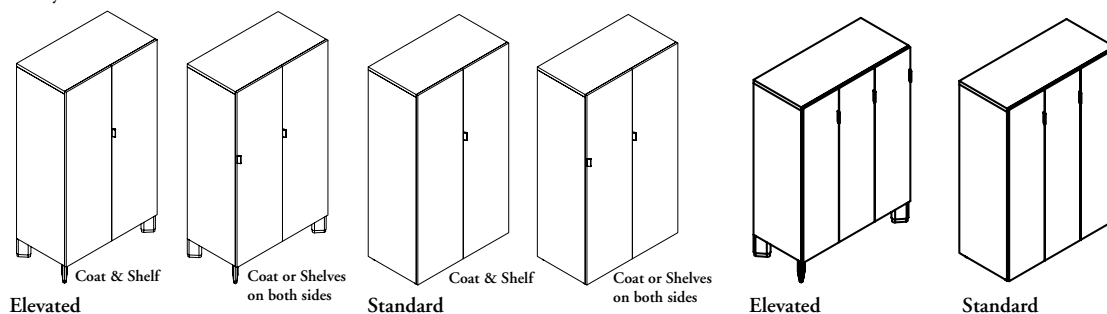


Dual Locker (UKD)

- Locker with two sections and options for coats on both sides, shelves on both sides or a combination
- Available in 16" & 19" depths, widths of 24", 30", 36" & 42" and heights of 36", 42", 51" & 66"
- When the coat/coat option, or shelf/shelf option is specified, each door will have separate locks, but if the coat/shelf combination is specified it will only have one lock

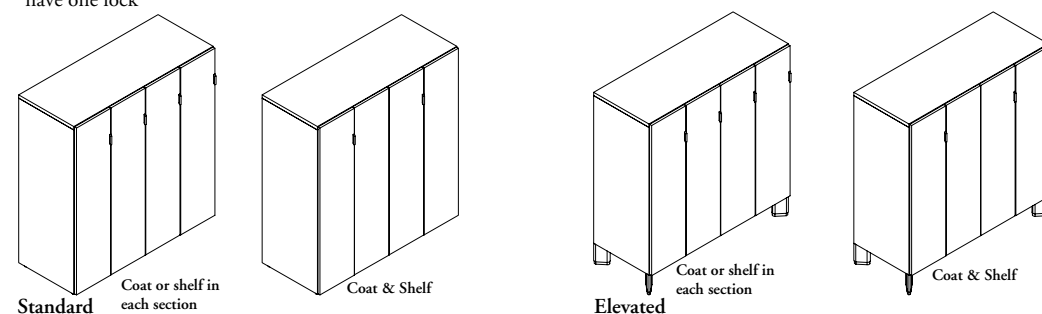
Triple Locker (UKT)

- Available in 16" depth, widths of 36", 42" & 48" and heights of 42", 51" & 66"
- Can be all coat storage or all shelves
- Shelves and coat hooks are reconfigurable



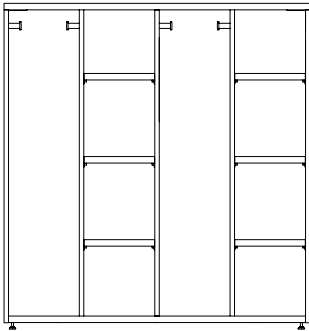
Quad Locker (UKQ)

- Locker with four sections and options for coats on both sides, shelves on both sides or a combination
- Available in 16" & 19" depths, width of 48" and heights of 51" & 66"
- When the coat/coat option, or shelf/shelf option is specified, each door will have separate locks, but if the coat/shelf combination is specified each combo section will have one lock

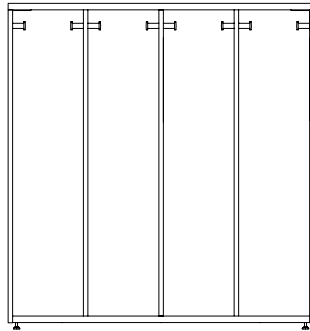


dual, triple & quad lockers

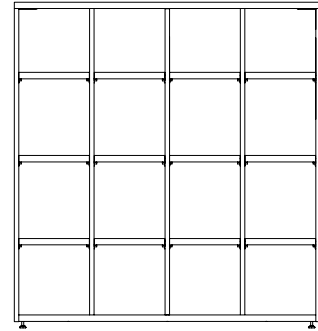
interior configurations



Combination Interior



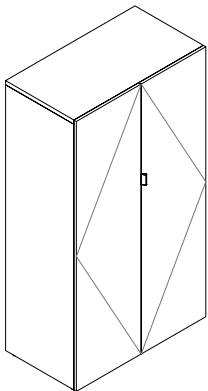
All Coat Interior



All Shelf Interior

handle locations

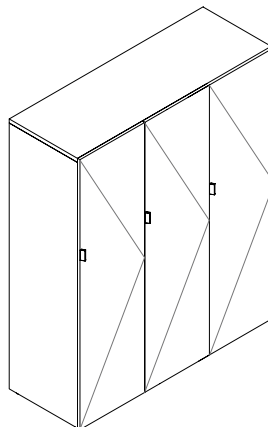
dual lockers



Coat & Shelves

- Will have one handle and will open from middle

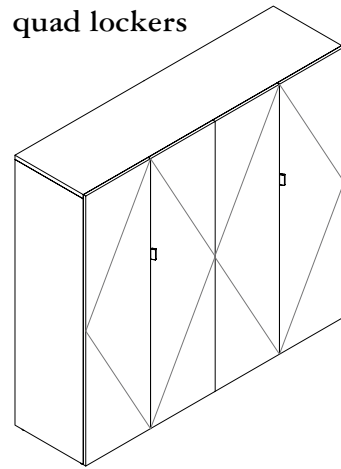
triple lockers



All coats or all shelves

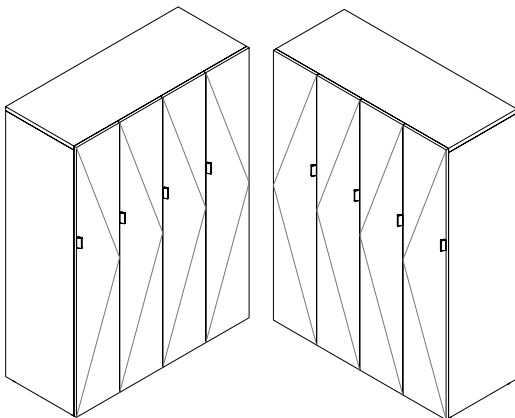
- All sections open in same directions

quad lockers



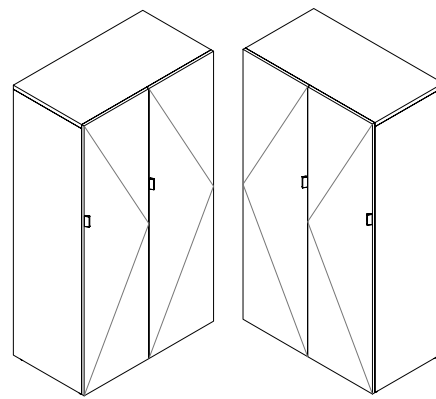
Coat & Shelves

- Will have one handle for each combo section and will open from middle of each section



All Coats or all Shelves

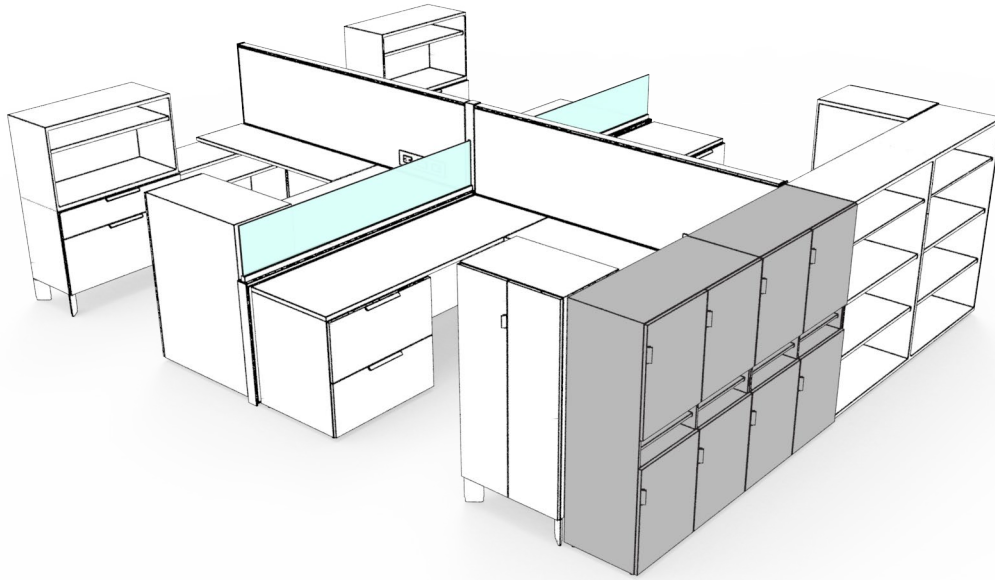
- All sections open in same direction



All Coats or all Shelves

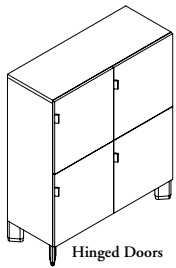
- All sections open in same direction

cubby locker basics



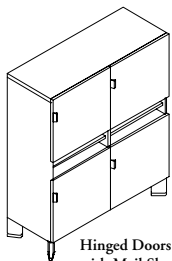
Cubby Locker (UKN)

- Provides locker cubby storage
- Available in standard and elevated styles
- Available in heights 42", 51", & 66" and depth of 16"
- Widths available are 30", 36" & 42"
- Option of hinged doors or hinged doors with mail slots
- **Cannot** be powered

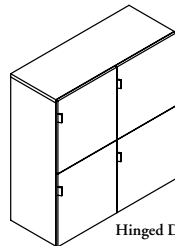


Hinged Doors

Elevated

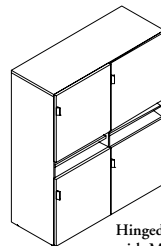


Hinged Doors
with Mail Slots



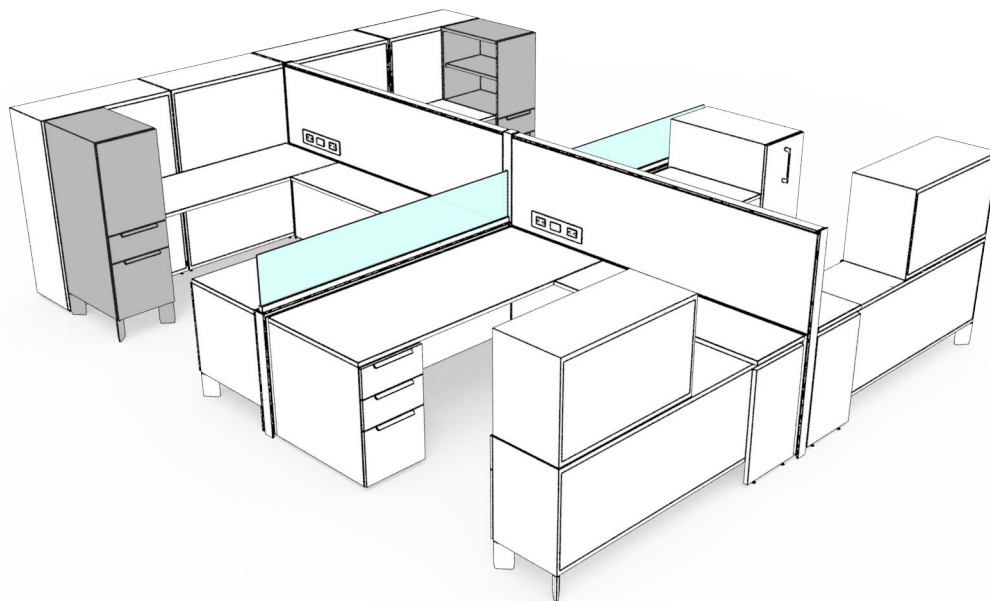
Hinged Doors

Standard



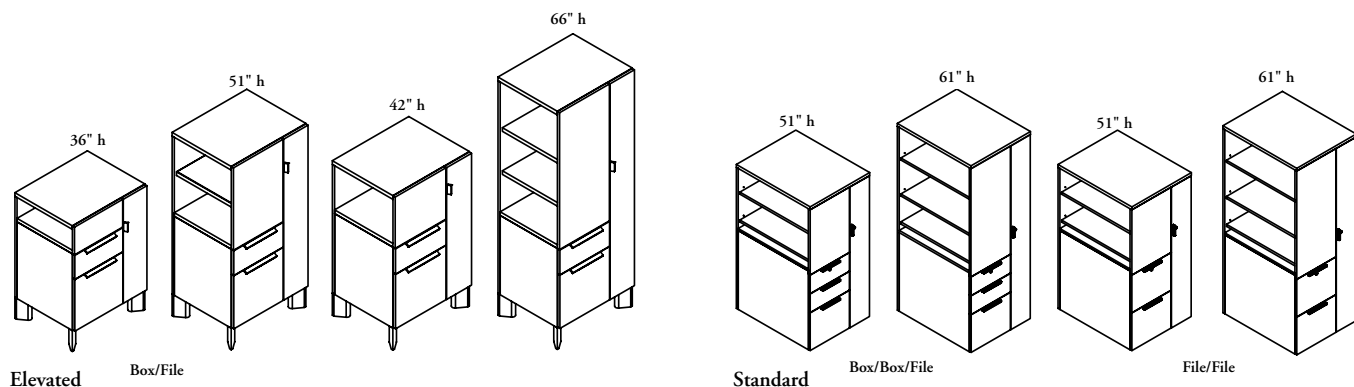
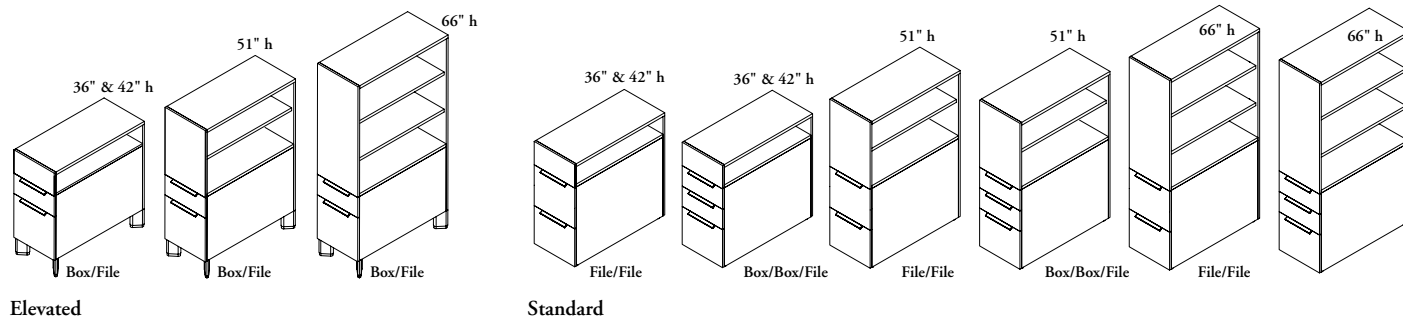
Hinged Doors
with Mail Slots

side open towers



Side Open Tower (UTW) and Wide Side Open Tower (UTWW)

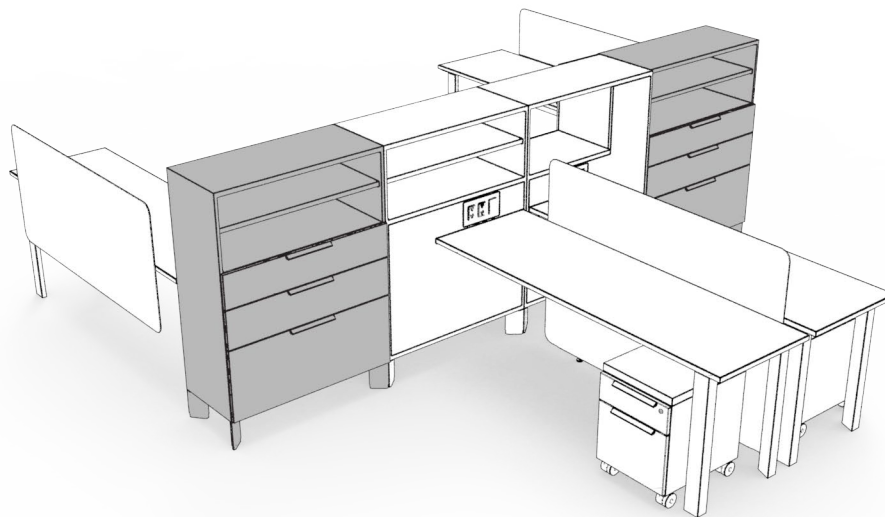
- Contains front facing box/file drawer for elevated and box/box/file, or file/file drawer for standard, plus side open shelves
- Available in elevated and standard styles, elevated having the angled feet
- Available in heights of 36", 42", 51" & 66" and depths of 19", 23", 29", or 35"
- Open shelves have a solid back, therefore the units are handed, handedness being determined by the side with the open shelves
- Unable to be powered



tower basics (continued)

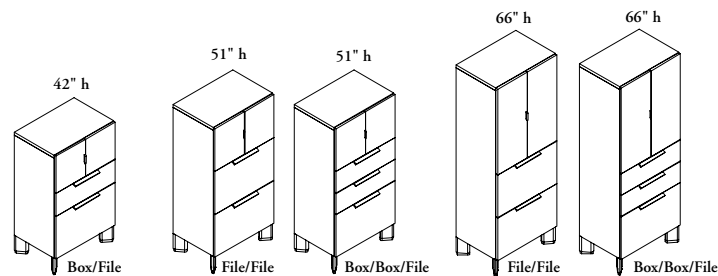
lateral towers

- Provide filing and storage from the front of the unit, with options for open back, closed back and secure storage
- Available in heights of 36", 42", 51" & 66", widths of 24", 30" & 36" and a depths of 16" & 19" to match Combo Tower depths

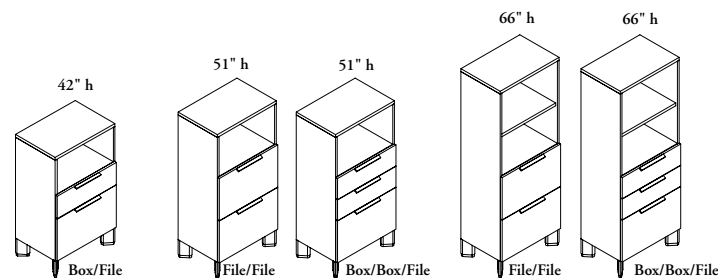


Lateral Tower – Elevated (UTLE)

- Complete with angled legs and options for base back cut out power on all heights and belt-line back cut out electrics on all heights except 42"
- See application pages for all drawer configuration options
- The 42" high Elevated Lateral Tower comes in a Box/File (X) drawer combination
- The 51" & 66" high Elevated Lateral Tower is available in a Box/Box/File (B) or File/File (F) drawer combination
- Belt-line Back Cut Out (E) electrical option **cannot** be specified on the 42" high tower, base back cut out is available on all
- Individual Locks may be specified on the File/File (F) drawer combination



Secured

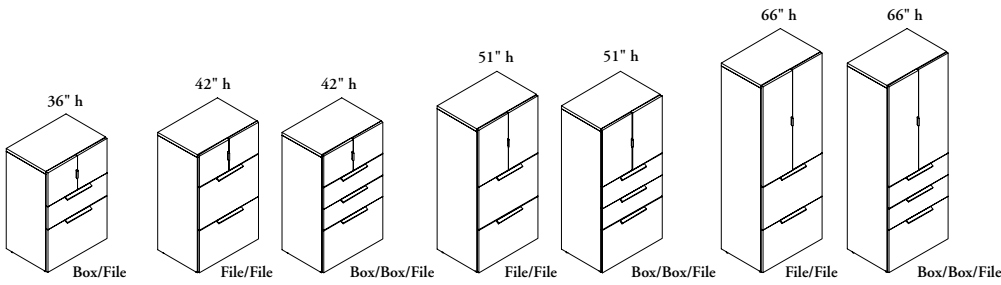


Closed Back & Open Through

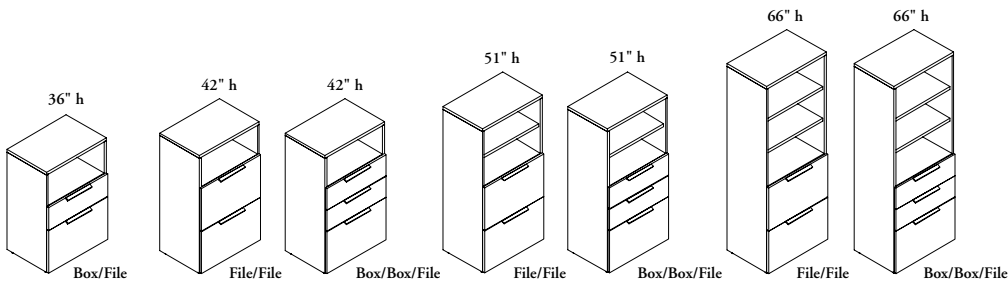
tower basics (continued)

Lateral Tower – Standard (UTLS)

- Unable to be powered
- The 36" high Standard Lateral Tower comes in a Box/File (X) drawer combination.
- The 42", 51" & 66" high Standard Lateral Tower is available in a Box/Box/File (B) or File/File (F) drawer combination.
- Individual Locks may be specified on the File/File (F) drawer combination.



Secured



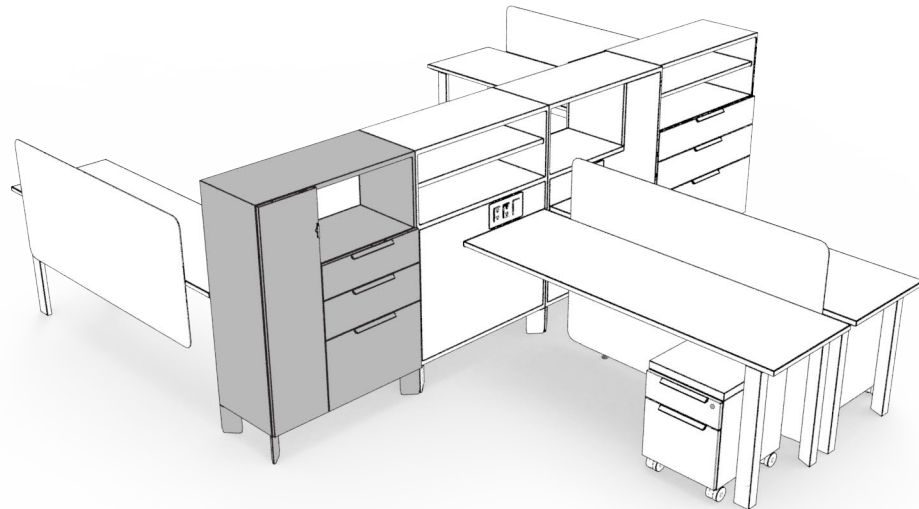
Closed Back & Open Through

tower basics (continued)

The following outlines the features of District Towers.

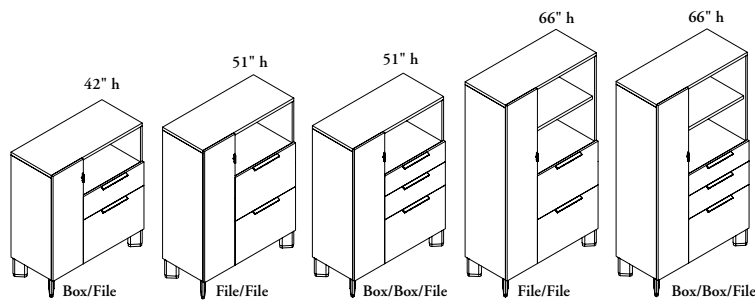
combo towers

- Provides coat storage, drawers and shelving
- Available in heights of 36", 42", 51" & 66" and depths of 16" & 19" to match typical District planning depths
- Available in widths from 24" - 48" in 6" increments
- Towers are handed, which is determined by the hinge location of the closet
- Open compartment is available closed back, open through or secured

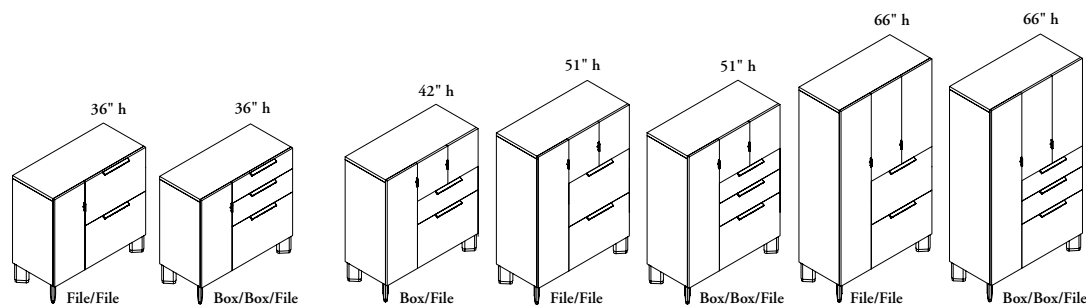


Combo Tower – Elevated (UTCE)

- Complete with angled legs and options for base back cut out power on all heights and belt-line back cut out on all heights except 42"
- 36", 51" & 66" high cabinets are available with box/box/file and file/file drawer combinations, and the 42" high cabinet is available with a box/file drawer combination only
- 36" & 42" high towers include shelves in wardrobe section, 51" & 66" high towers include a coat hook in wardrobe section, 66" high towers include a boot shelf in wardrobe section



Closed Back & Open Through

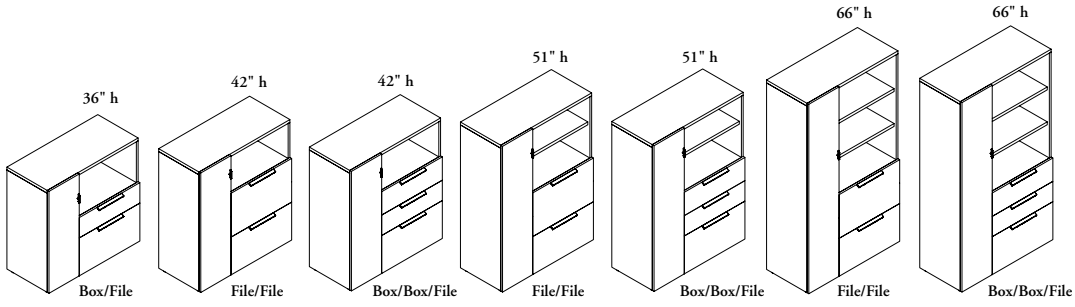


Secured

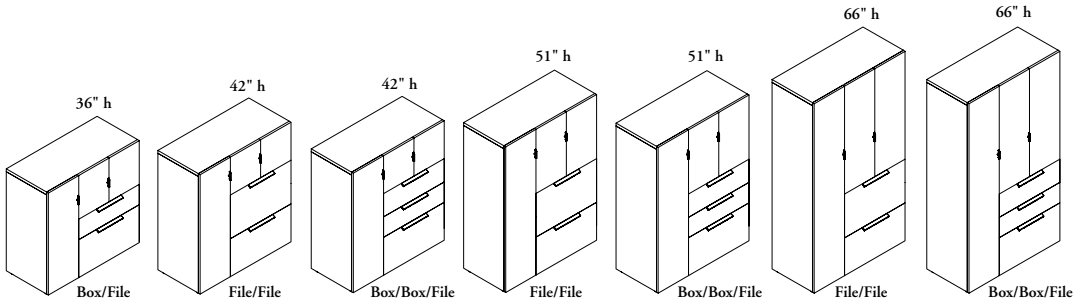
tower basics (continued)

Combo Tower – Standard (UTCS)

- 36" high cabinet is available with a box/file drawer combination and 42", 51" & 66" high cabinets are available with box/box/file or file/file drawer combinations
- Unable to be powered



Closed Back & Open Through



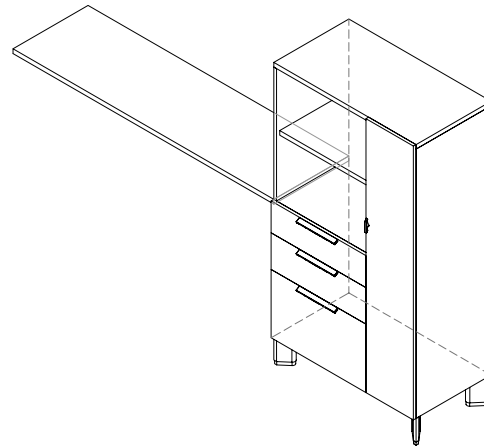
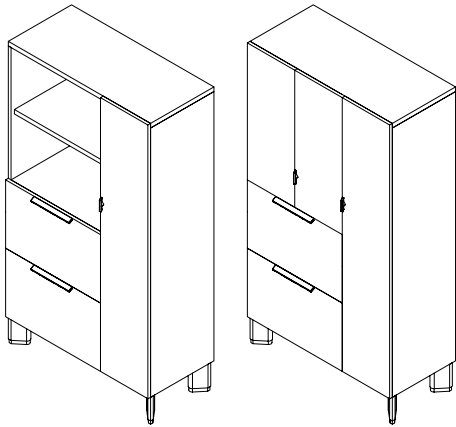
Secured

planning with towers

The following should be considered with planning with District towers.

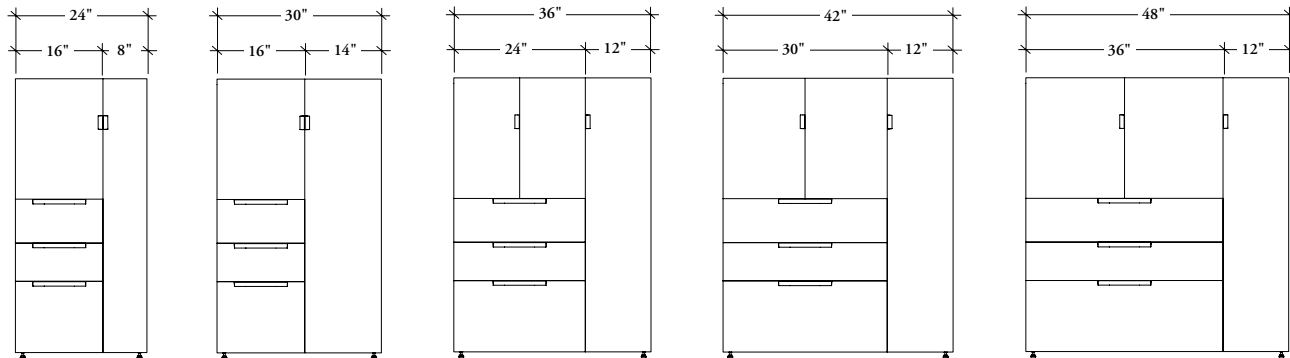
combo towers

210



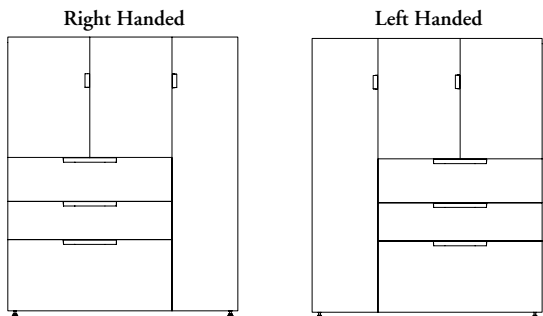
- The combo tower is available with open through, closed back or a secured area above the files

- The 19" deep worksurface can mount to the side of a combo tower

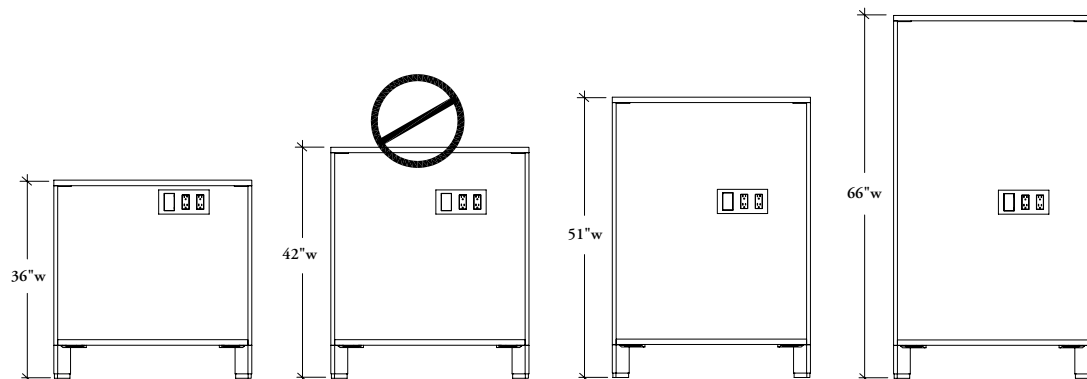


- The 24" & 30" wide combo towers are complete with 16" wide pedestal drawers and have one door on the secured storage section
- The 24" wide tower has an 8" wide wardrobe and the 30" wide tower has a 14" wide wardrobe
- 36", 42" & 48" wide towers have file drawers, with 12" wide wardrobes

planning with towers (continued)

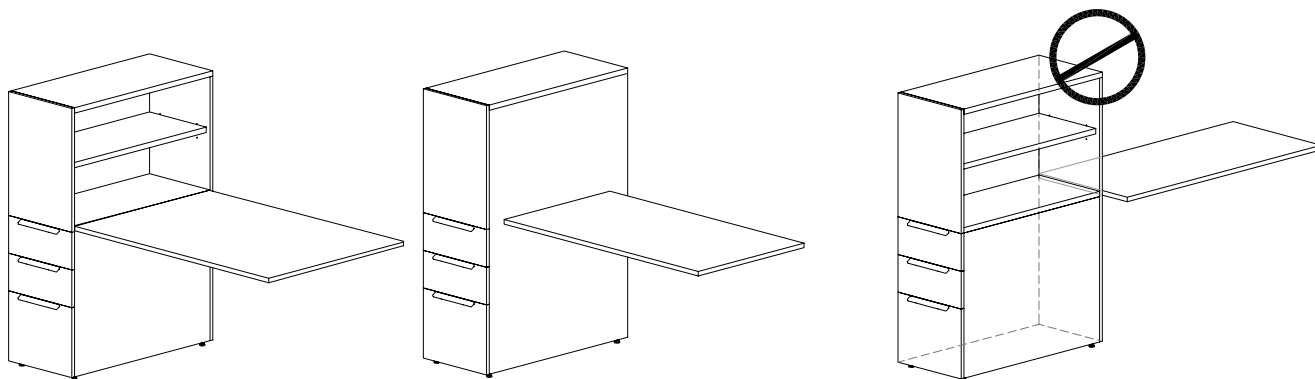


- The handle on the combo tower with two doors (36", 42" & 48" widths) secured storage section are always on the left regardless of whether the wardrobe is on the right or the left



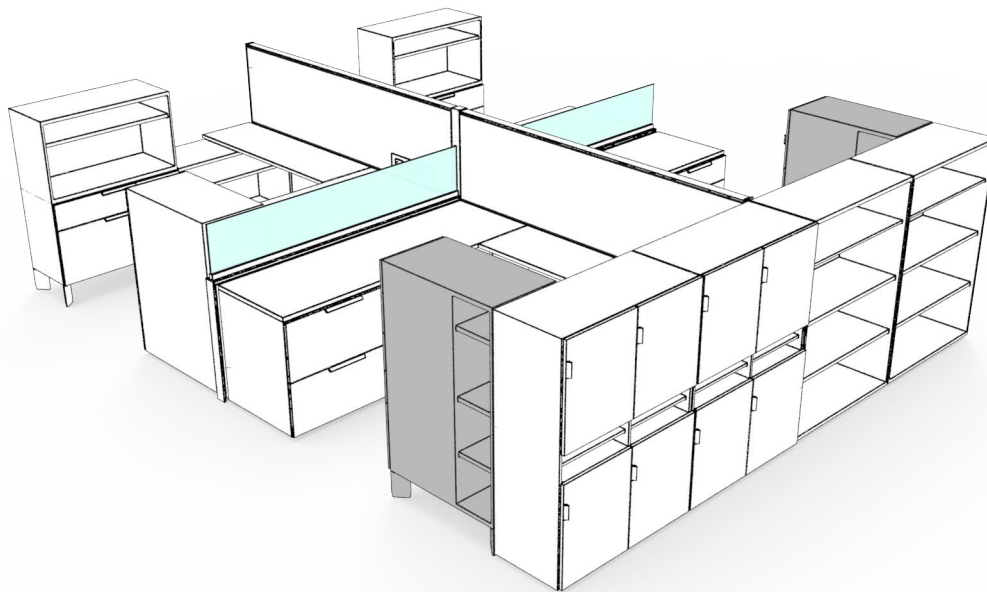
- Belt-line power is available in the 36", 51" & 66" high combo towers, but **not** in the 42" height

side open tower



- Worksurfaces can mount to either side of a side open tower with or without a back
- The tower depth must be equal to or greater than the depth of the work surface
- Worksurfaces are **not** intended to mount to the back of a side open tower

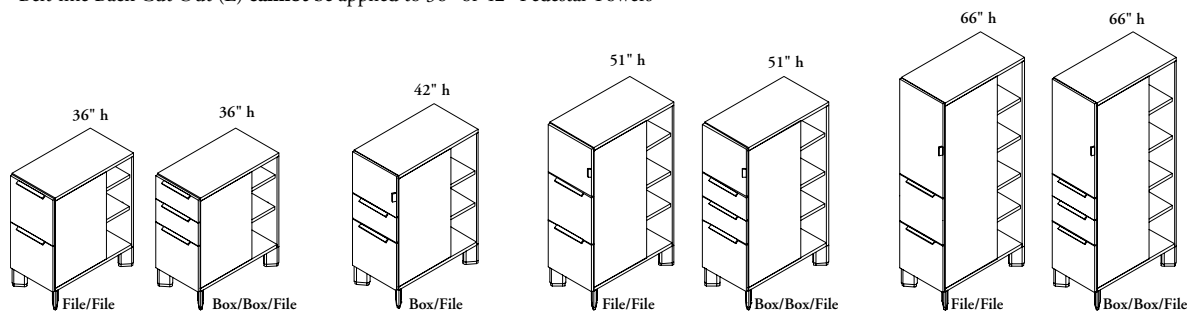
pedestal tower basics



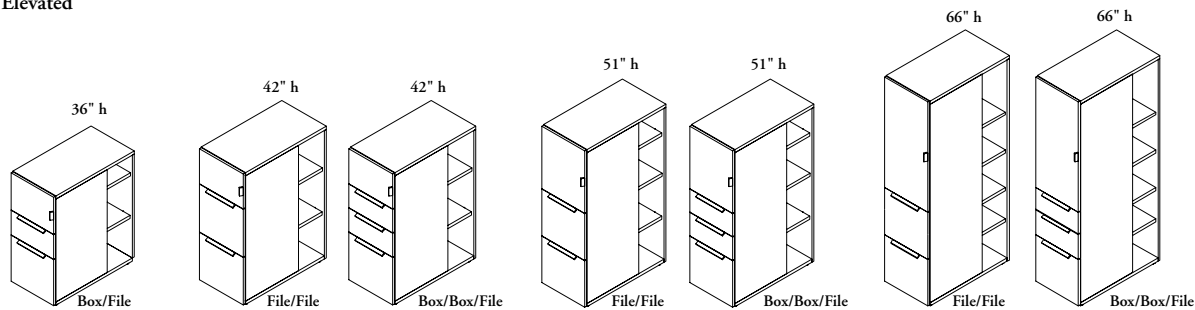
212

Pedestal Tower with Cubby (UTDC)

- Provides filing and secure storage from the front of the unit and open cubbies from the side
- Available 16" wide, heights of 36", 42", 51" & 66" and depths of 29" & 35" to match worksurface depths
- Available in elevated and standard styles, elevated having the angled feet
- Elevated style accommodates base grommet, base back cut out power, or belt-line back cut out on all heights except 42", the 42" height will only accommodate base back cut out
- Unable to be powered with the standard style
- Towers are handed, which is determined by the location of the hinge on the secure section
- In the Elevated (E) Style, the 36", 51" & 66" heights are available in Box/Box/File (B) and File/File (F) drawer combinations and the 42" height is available in a Box/File (X) drawer combination. The 36" high does not have a door
- In the Standard (S) Style, the 42", 51" & 66" heights are available in Box/Box/File (B) and File/File (F) drawer combinations and the 36" high is available in a Box/File (X) drawer combination. The 36" height does not have a door
- Belt-line Back Cut Out (E) **cannot** be applied to 36" or 42" Pedestal Towers



Elevated

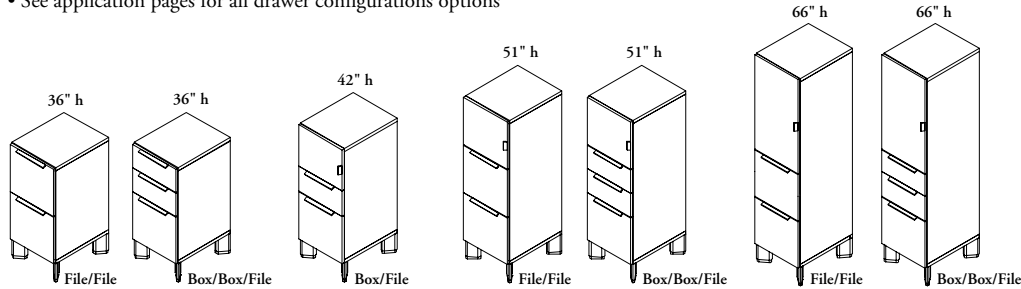


Standard

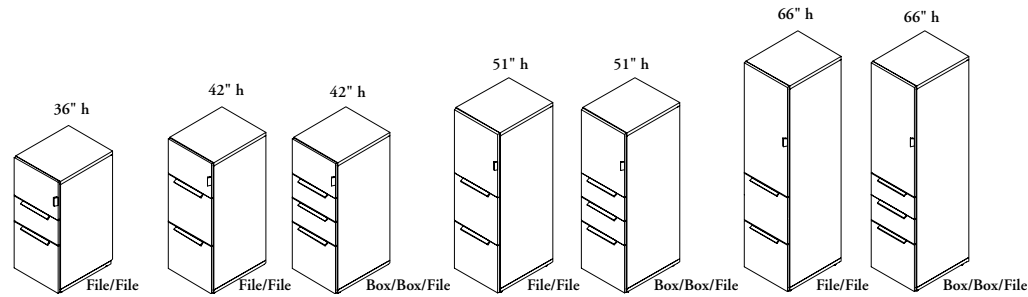
pedestal tower basics (continued)

Pedestal Tower with Solid Back (UTDD)

- Similar to the Pedestal Tower with filing and secure storage, but with no cubbies at back
- Available 16" wide in heights of 36", 42", 51" & 66" and depths of 19" & 23" to match worksurface depths
- Unit **cannot** be powered
- Towers are handed, which is determined by the location of the hinge on the secure section
- See application pages for all drawer configurations options



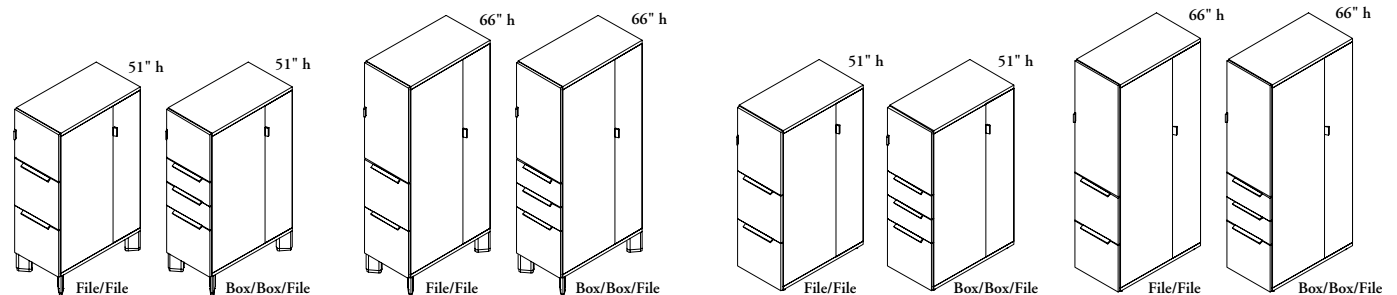
Elevated



Standard

Pedestal Tower with Side Closet (UTDK)

- Similar to the Pedestal Tower with filing and secure storage, but with a closet on the side
- Available 16" wide, heights of 51" & 66" and depths of 29" & 35"
- Filing section will always be 19" deep with the closet in the 19" being 10" and the 23" depth being 16" deep
- Towers are handed, handedness being determined by the location of the closet
- See application pages for all drawer configurations options

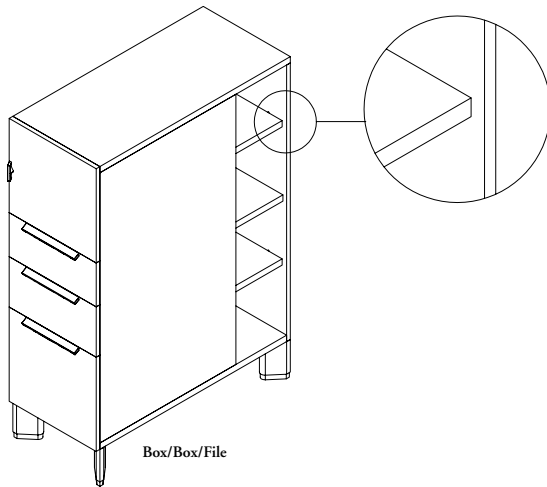


Elevated

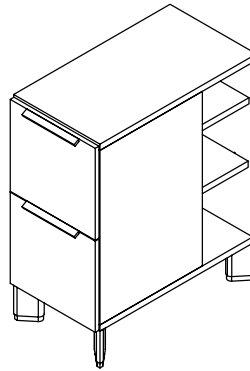
Standard

planning with pedestal towers

The following should be considered when planning with pedestal towers.

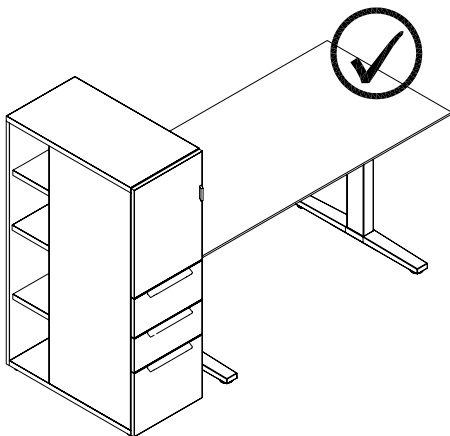


- Shelves are inset 1" on the same side as the door hinge to allow for an infill panel (See *Accessories* section)

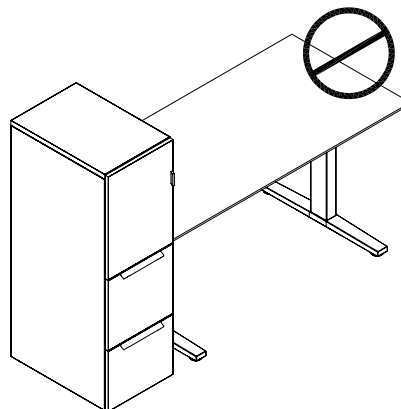
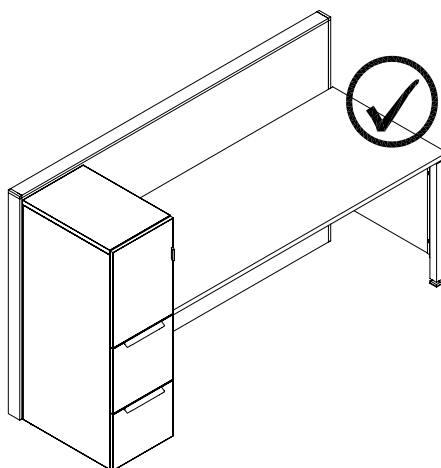
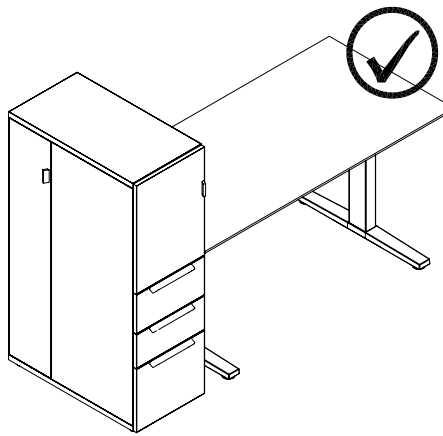


- The 36" high unit, even though it does not have a hinged door, is still considered handed in order to determine the side that the infill will go onto

pedestal towers



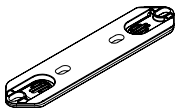
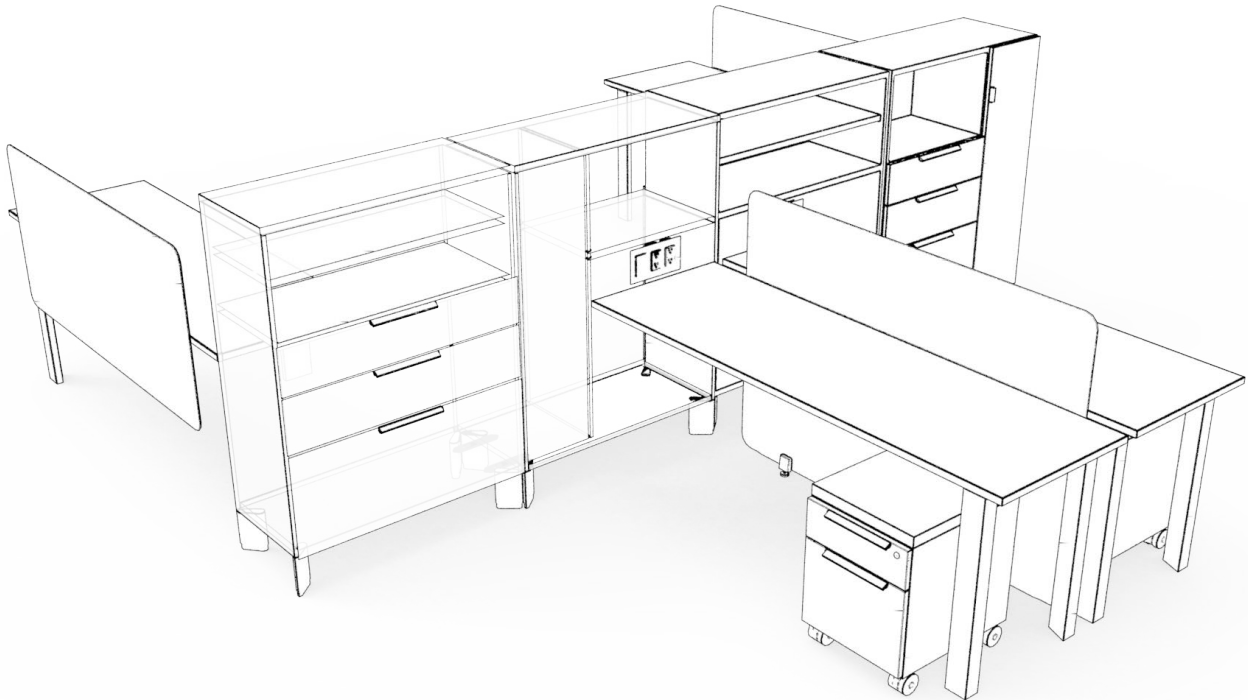
- Pedestal Towers with Cubbies and Side Closet can be used in a freestanding application



- Pedestal Towers with Solid Backs **cannot** be used in a freestanding application because counterweights are **not** available, they must be attached to a panel, worksurface or another storage unit

storage-to-storage support basics

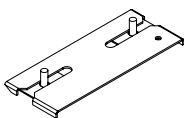
The following outlines the features of storage-to-storage support.



For Elevated Storage

Linking Bracket for Elevated Storage (UNSLBE)

- Connect storage units together
- Used to align cabinets in space applications
- Must be used when routing electrics beneath a storage spine



For Standard Storage

Linking Bracket for Standard Storage (UNSLBS)

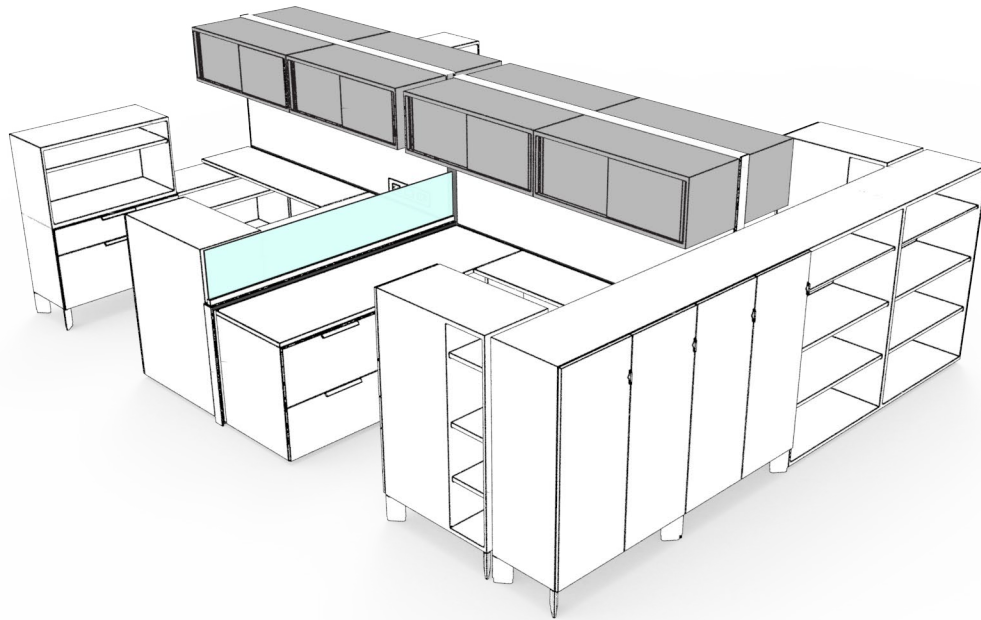
- Standard storage units can be linked together for alignment and stability

overhead basics

The following outlines the features of District Overheads.

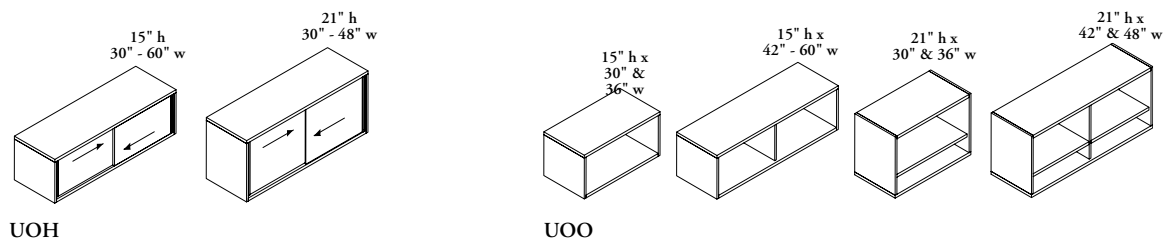
overhead cabinets

216



Sliding Door Overhead (UOH) and Open Overhead (UOO)

- Mount on-module to District panels, Altos walls, W/R/S, Leverage and drywall
- Proper mounting hardware must be specified

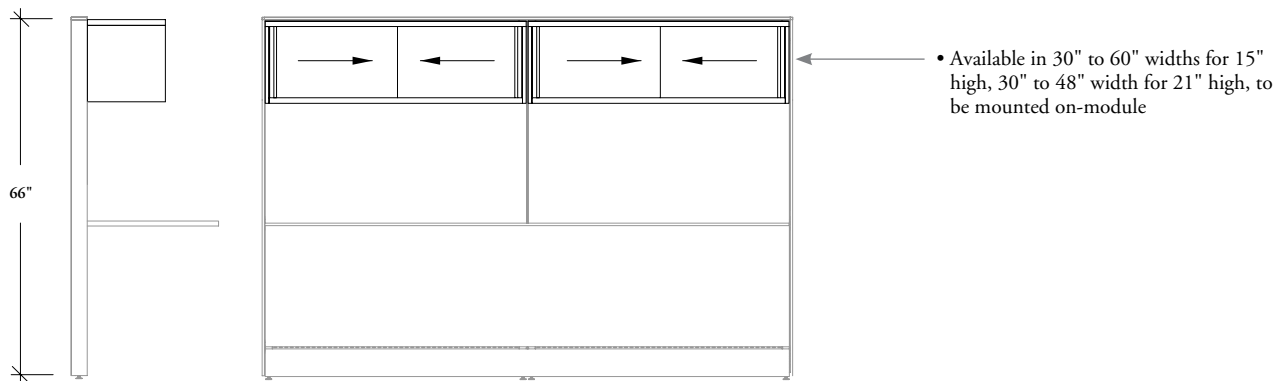


planning with overhead cabinets

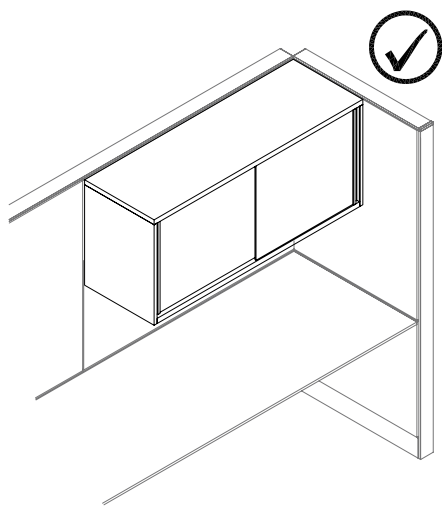
The following should be considered with planning with District overheads.

panel-mounted overheads

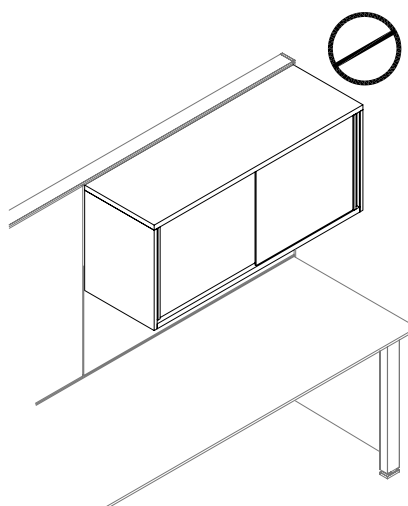
- 15" & 21" high Sliding Door Overhead (UOH) and 15" and 21" high Open Overhead Cabinets (UOO) can be panel-mounted in a traditional panel layout



panel support for overheads



- Overhead storage must be mounted at a corner where panels meet at 90° to ensure proper support

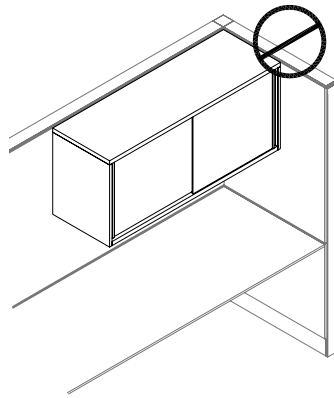
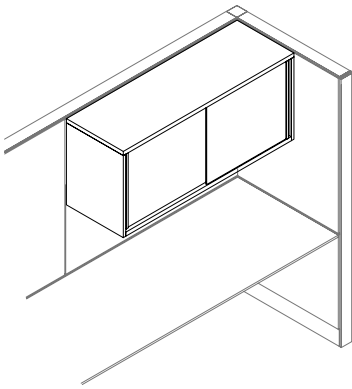


- A work surface with floor support alone does **not** provide adequate support

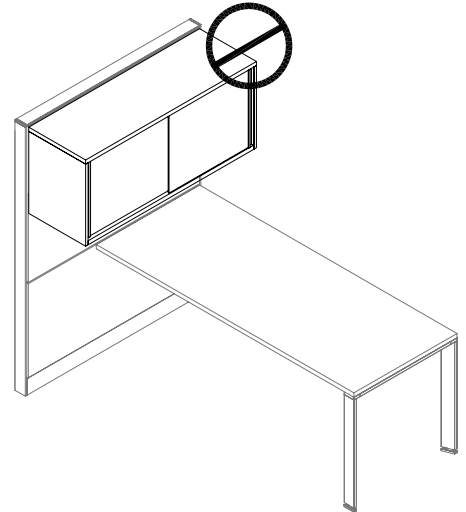
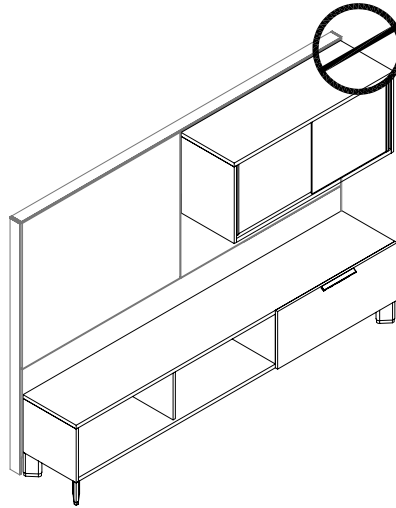
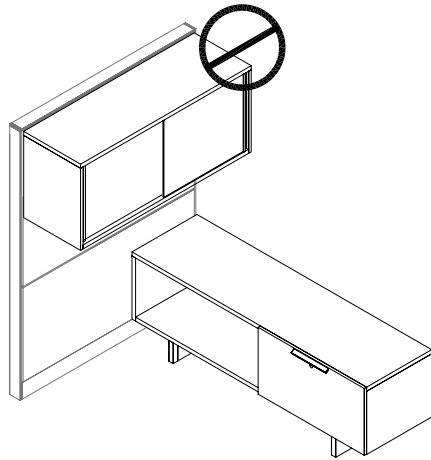
planning with overhead cabinets (continued)

off-module restriction

218



- Overheads must be mounted on-module
- They require a vertical channel on both sides for mounting
- On panels over 60" wide which consist of two frames, two separate fascias can be specified to allow access to the center vertical channel



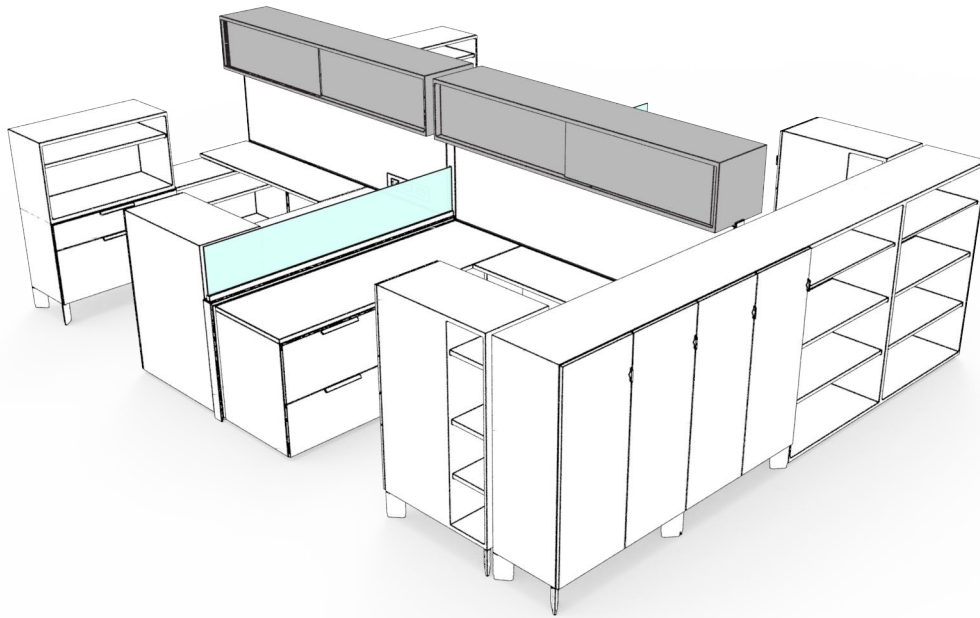
- Neither a panel-mounted perpendicular or panel-mounted parallel storage unit will adequately support an overhead
- A semi-supported worksurface will **not** support a overhead

centermount overhead basics

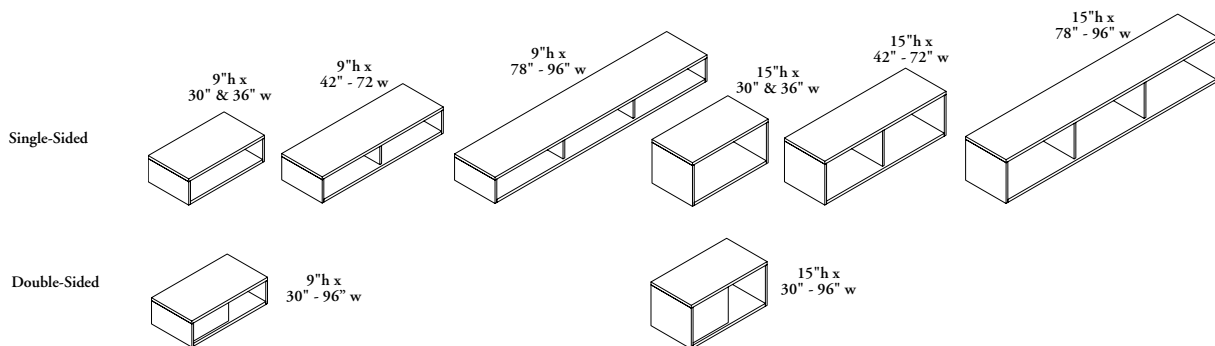
The following outlines the features of District Centermount Overheads.

centermount overhead cabinets

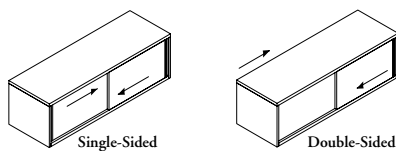
- Centermounts mounted on-module on top of District and Leverage panels
- Widths range from 30" - 96" depending on application and finish
- Available in heights of 9", 15" & 21" to match typical District datum heights
- Available with sliding doors or open
- Available single- or double-sided
- Double-sided overhead is handed, which is determined by the side of the open cabinet



Open Centermount Overhead (UOOC)



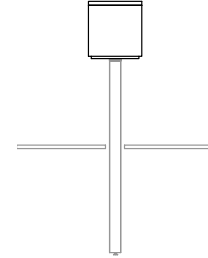
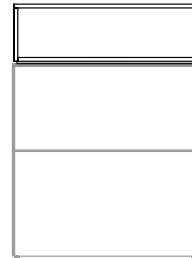
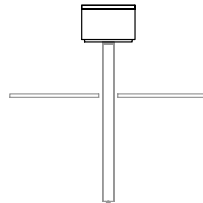
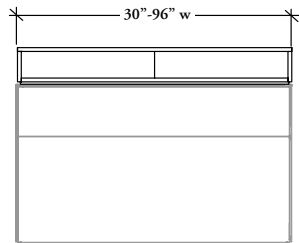
Sliding Door Centermount Overhead (UOHC)



planning with centermount overhead cabinets

The following should be considered when planning with District Centermount Cabinets.

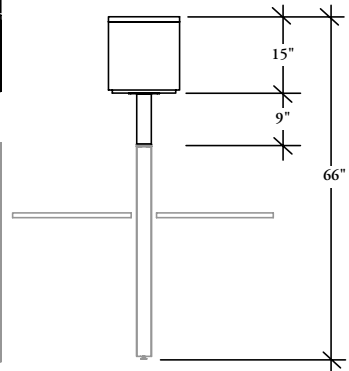
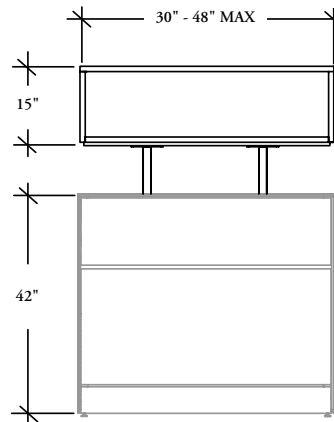
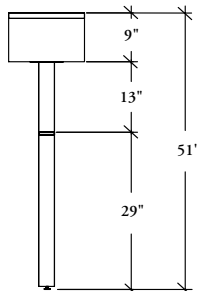
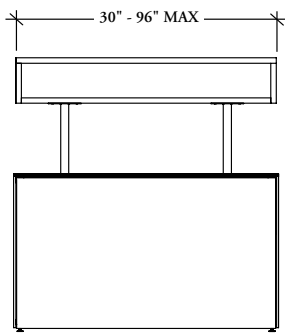
mounted directly to panel top



- The UOHC & UOOC can be mounted directly on to the top of a Panel Wall
- When planning with District with Inset Glass Panel (UYPFR, UYPER & UYPCR), a return panel must be specified on both sides of a panel run when using center mounted overhead storage

- The Centermount Cabinet Bracket & Top Trim (UNODT) is required for mounting to the panel and must be the same width as the cabinet

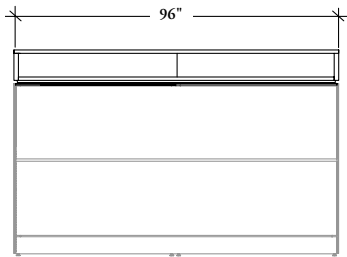
mounted above panel with centermount posts



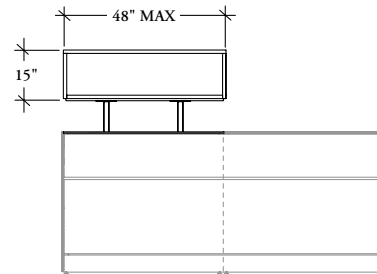
- Overheads can be mounted on posts over the panel – the Centermount Cabinet Support Posts & Trim (UNOPT) centermount post is 9" or 13" high and is used to match typical Teknion datum heights
- Overheads mounted on posts **cannot** be applied to District with Inset Glass Panels (UYPFR, UYPER, UYPCR)

planning with centermount overhead cabinets (continued)

cabinet widths

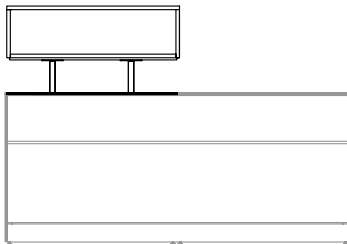


- 9" & 15" high cabinets are available up to 96" wide for flush mounting (Laminate is only available to 90" wide)

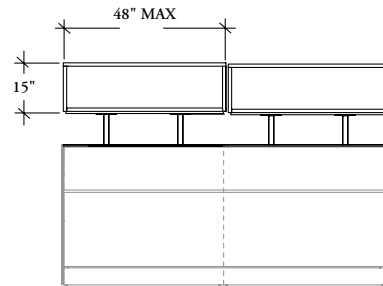


- When 15" high cabinets are mounted on posts, the maximum width allowed is 48"

on-module mounting

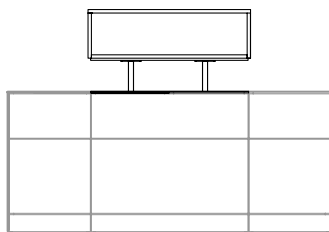


- Supports attach to specific cut out locations in the top rail of the panel wall frame. The cabinet width and posts must match the panel wall frame width (30" - 48") and mount on-module to the frame. Panel wall widths specified over 60" provide two equal width frames. The above diagram shows on-module alignment with one of these frames
- A Top Trim (UNTT) is required to complete the remainder of the frame with no cabinet mounted to it

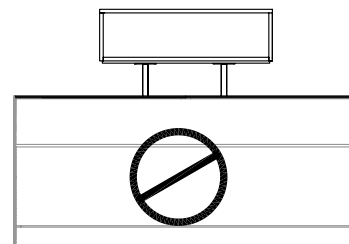


- One or two cabinets can span the width of a panel on panels over 60" wide made up of two frames each cabinet must be equal to the widths of the individual frames

off-module mounting



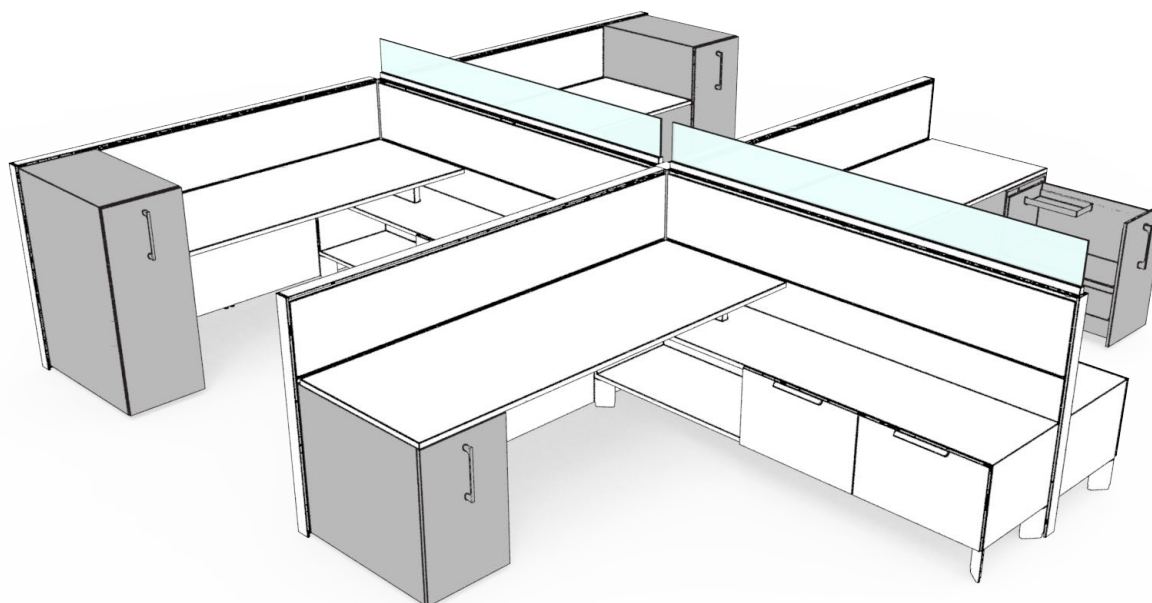
- If the cabinet requires centering across the width of the workstation, Panel Walls must be planned so that the center Panel Wall width matches the cabinet/support width



- This application will **not** work

side filer & mini side filer basics

The following outlines the features of District Side Filer and Mini Side Filers.



- Side Filers and Mini Side Filers provide personal storage
- Side Filers provide personal storage and space division
- Available left or right handed, handedness is determined by the location of the Side Filer in relation to the user
- Width: 16"

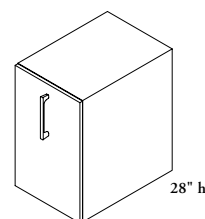
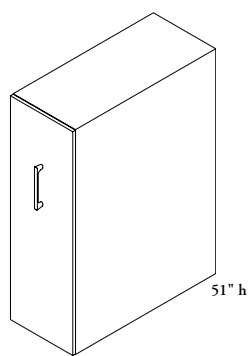
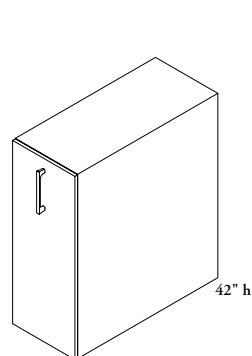
Side Filer (UTS)

- Heights: 42" and 51"
- Depths: 24" , 30" and 36"
- Can be used:
 - with fixed height tables
 - with height-adjustable tables
 - freestanding
- Leveling Range:
 - no leveling range since the unit is supported with a caster when extended
 - the levelers ensure that the unit is plum

- Available in six Configurations:
 - (N) No Accessories, with Wardrobe
 - (A) Accessory Bundle A, with Wardrobe
 - (B) Accessory Bundle B, with Wardrobe
 - (K) No Accessories, No Wardrobe
 - (M) Accessory Bundle A, No Wardrobe
 - (P) Accessory Bundle B, No Wardrobe
- USB Options:
 - (N) No USB
 - (S) Grommet on the Side
 - (B) Grommet on the Bottom
- Lock Option is standard locks

Mini Side Filer (UTM)

- Height: 28"
- Depths: 23" and 29"
- Provides support to a worksurface
- Leveling Range is -0.5" to +2.5"
- Available in three Configurations:
 - (N) No Accessories
 - (A) Accessory Bundle A
 - (B) Accessory Bundle B
- Available with optional USB
- Lock Option is standard locks

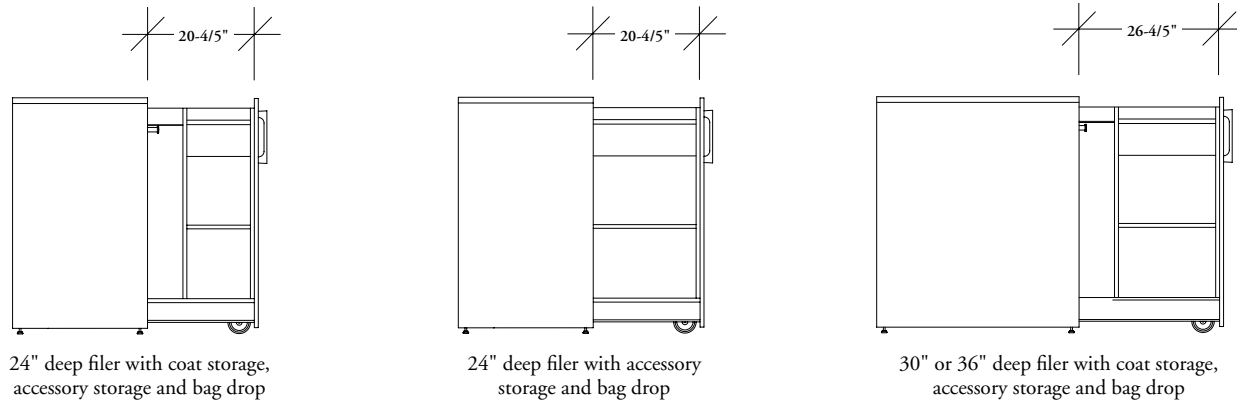


planning with side filers

interior configurations of side filers

All Side Filers are complete with accessory shelves, rails, bag drop area and the option for a wardrobe and accessory bundles. The storage area will vary depending on the depth and configuration selected. See details of Accessory Bundle configurations in this section.

42" High Side Filer

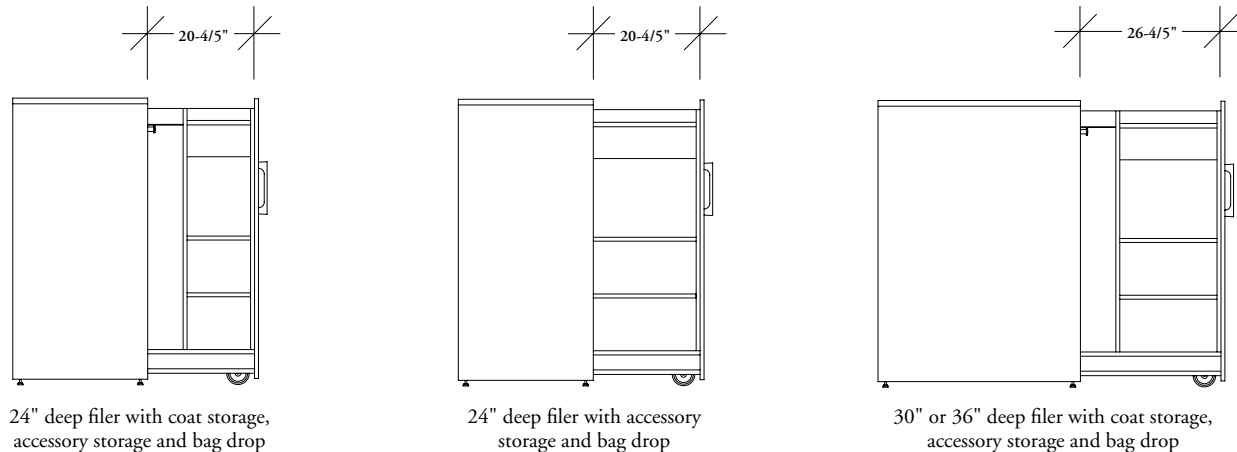


24" deep filer with coat storage, accessory storage and bag drop

24" deep filer with accessory storage and bag drop

30" or 36" deep filer with coat storage, accessory storage and bag drop

51" High Side Filer



24" deep filer with coat storage, accessory storage and bag drop

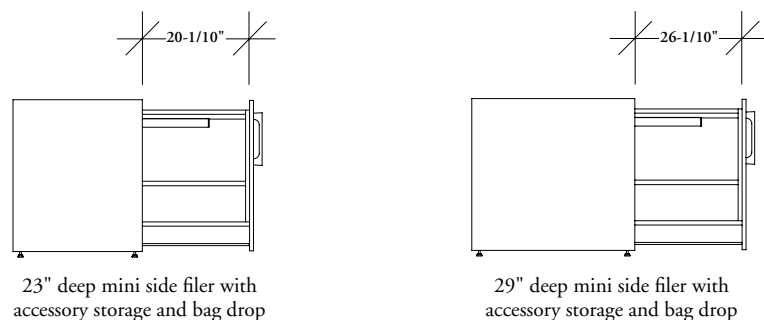
24" deep filer with accessory storage and bag drop

30" or 36" deep filer with coat storage, accessory storage and bag drop

interior configurations of mini side filers

All mini side filers are complete with a mini shelf, accessory rail, lower cubby and optional accessory bundle. The storage area will vary depending on the depth and configuration selected. See details of Accessory Bundle configurations in this section.

28" High Mini Side Filer



23" deep mini side filer with accessory storage and bag drop

29" deep mini side filer with accessory storage and bag drop

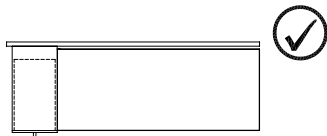
planning with side filers (continued)

The following should be considered when planning with District Side Filers.

parallel planning

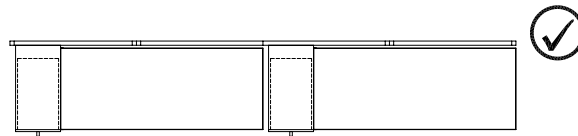
When planning with a panel behind the Side Filer, there will be a 3/8" gap between the Side Filer and worksurface.

224



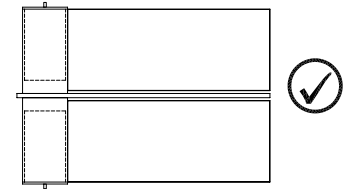
Single-Sided Application

- When planning with Side Filers in Single-Sided Applications there must be added support by specifying a Flush End Gable (UNGEF)



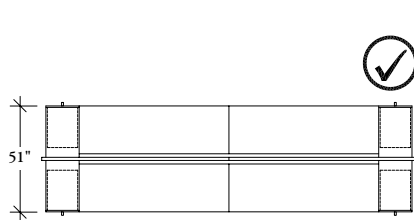
Single-Sided Application

- Parallel planning with Side Filers.
- Single-Sided Applications must have added support by specifying a Flush End Gable (UNGEF)

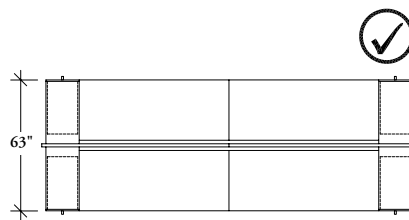


Back-to-Back Application

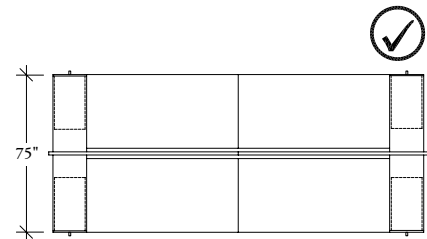
parallel planning with panel behind side filer



24" deep worksurface with 24" deep side filer



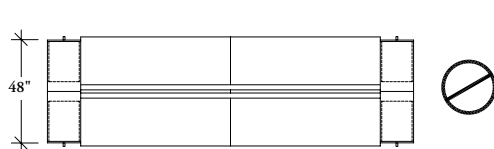
30" deep worksurface with 30" deep side filer



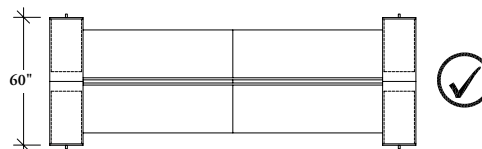
36" deep worksurface with 36" deep side filer

parallel planning with no panel behind side filer

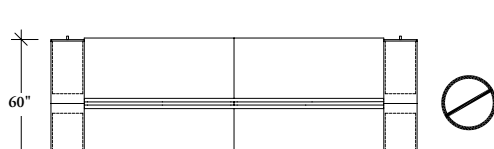
When planning with no panel behind the Side Filers, the Side Filer will extend beyond the front edge of the worksurface.



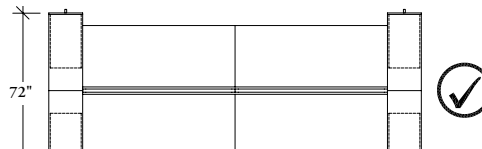
24" deep worksurface with 24" deep side filer



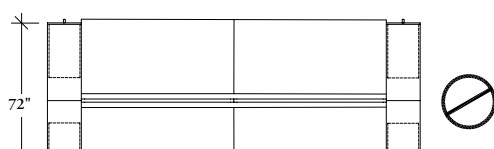
24" deep worksurface with 30" deep side filer



30" deep worksurface with 30" deep side filer



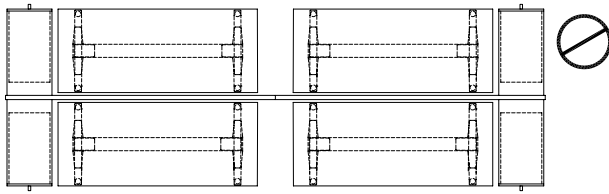
30" deep worksurface with 36" deep side filer



36" deep worksurface with 36" deep side filer

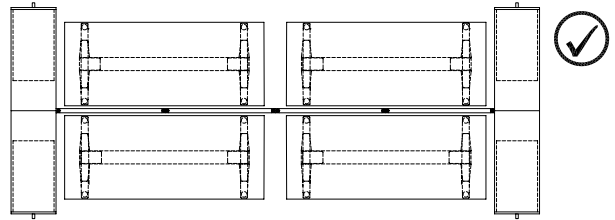
planning with side filers (continued)

parallel planning with side filers and height-adjustable tables



Non-Freestanding Planning

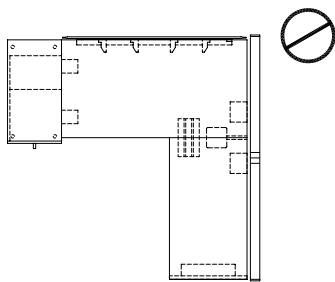
Panels **cannot** support Side Filers and worksurfaces without extra support.



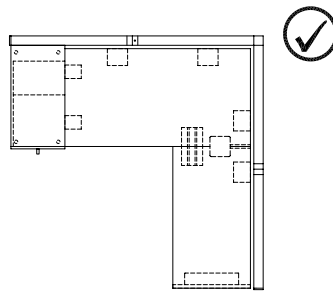
Freestanding Planning

Freestanding District panel solution allows for height-adjustable use with panels and Side Filers.

perpendicular planning



When planning in perpendicular applications, there must always be a panel behind the work surface for stability.



When planning in perpendicular applications with a panel behind the Side Filer, there will be a 3/8" gap between the work surface and panel.

planning with mini side filers

The following should be considered when planning with Mini Side Filers.

Mini Side Filers can be planned in parallel and perpendicular applications. They can be flush to the worksurface and are worksurface supporting.

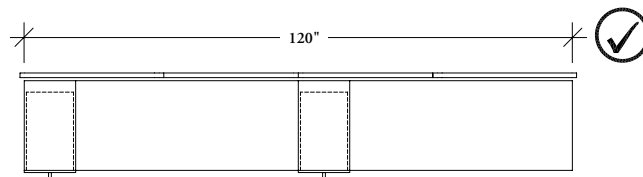
parallel planning

When planning with a panel behind the Mini Side Filer, there will be a 1" gap.

226

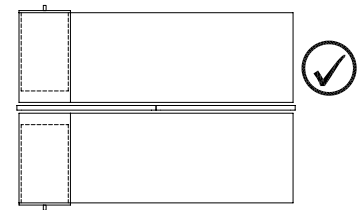


Single-Sided Application

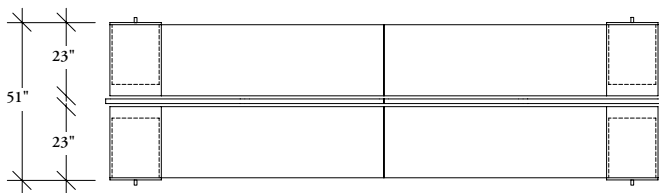


Single-Sided Application

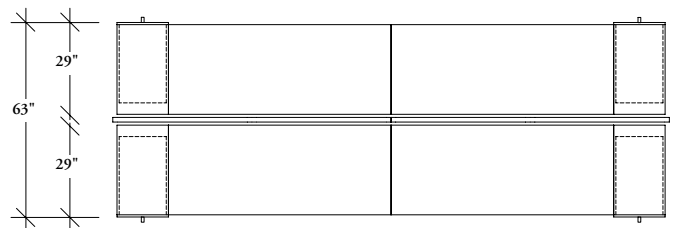
The Run must be minimum 120" in length.



Back-to-Back Application



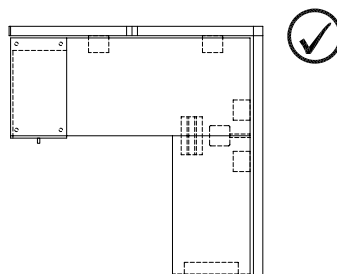
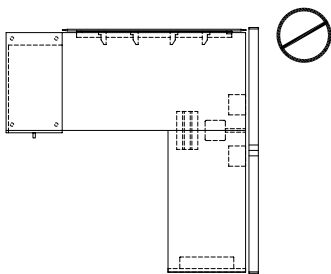
The 24" deep worksurface with 23" deep Mini Side Filer.



The 30" deep worksurface with 29" deep Mini Side Filer.

perpendicular planning

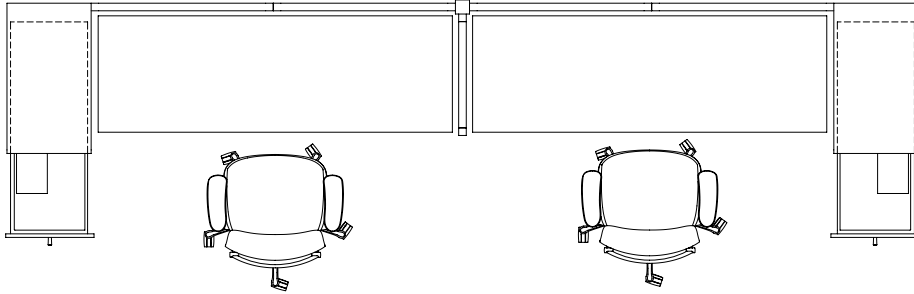
When planning perpendicular with the Mini Side Filers, there must always be a District panel along the back of the worksurface.



planning with side filers & mini side filers

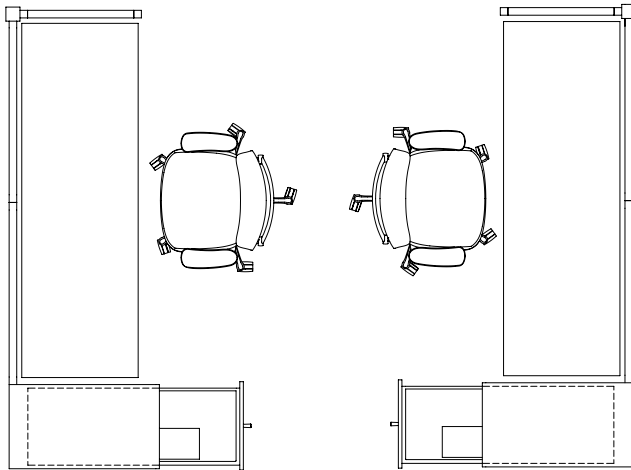
handedness

Handedness is determined by the location of the Side Filer and Mini Side Filer in relation to the user.



Left Hand Orientation

Right Hand Orientation



When planning with side filers and mini side filers, sufficient clearance must be left between workstations to allow both side filers to be opened at the same time.

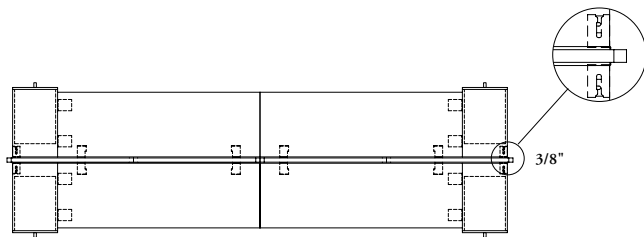
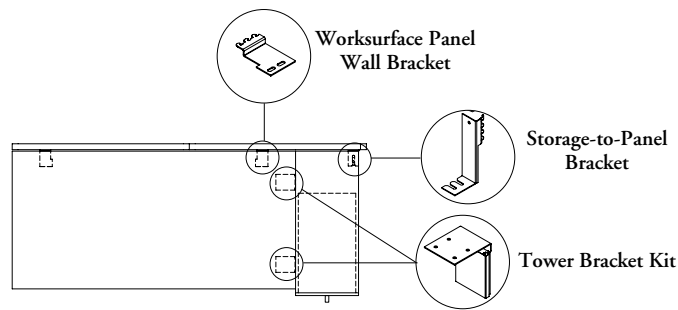
planning with side filers & mini side filers (continued)

The following should be considered when planning with Side Filers, Mini Side Filers and connecting to panels.

connecting to panels

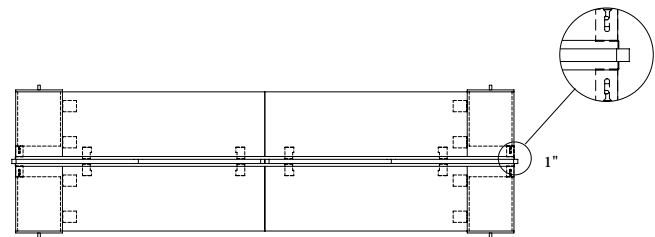
District Side Filer Support Kits (UWSPK) are used to connect both Side Filers and Mini Side Filers to panels. Support kits include a Tower Bracket Kit, Worksurface Panel Wall Bracket and a Panel to Storage Bracket.

228



Side Filer

There will be a 3/8" gap between Side Filer (UTS) and the panel when using a District Side Filer Support Kit (UWSPK).

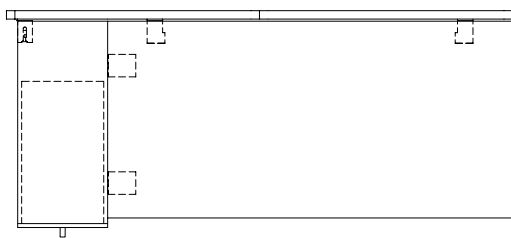


Mini Side Filer

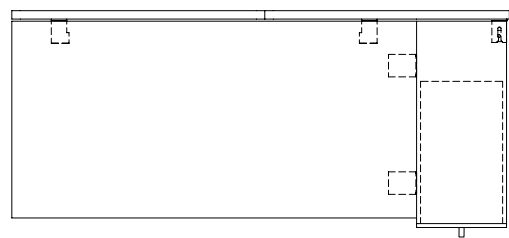
There will be a 1" gap between Mini Side Filer (UTM) and the panel when using a District Side Filer Support Kit (UWSPK).

handedness with support kits

District Side Filer Support Kits (UWSPK) are handed.



Left Handed Orientation Application

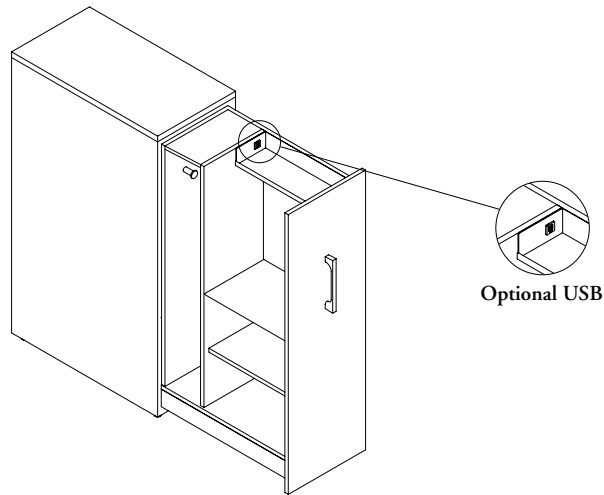


Right Handed Orientation Application

planning with side filer, mini side filer & USB power

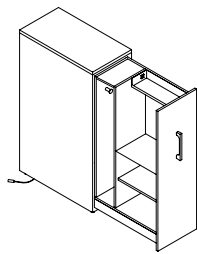
The following should be considered when planning with District Side Filers, District Mini Side Filers and USB Power.

The optional USB add-on provides two USB-A ports in the pocket drop area to allow for the charging of USB powered devices.

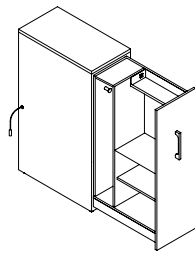


power cord locations

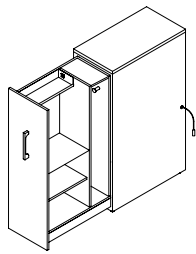
The power location for Side Filers can be specified in either the bottom (non-handed) or on the side (handed) of the unit. For Mini Side Filers, the power cord location can only be specified on the side (handed) of the unit.



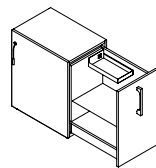
Side Filer
Bottom Power Location



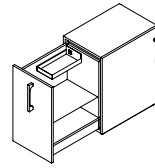
Side Filer
Right Side Power Location



Side Filer
Left Side Power Location

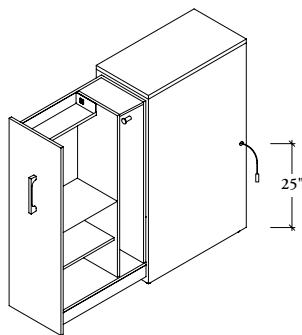


Mini Side Filer
Right Side Power Location

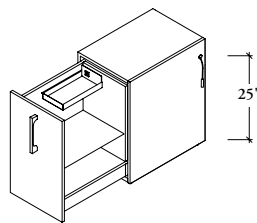


Mini Side Filer
Left Side Power Location

power cord heights



- Height from floor to power cord location in Side Filers is 25" high
- The side filer can be planned at least 50" away from a power source

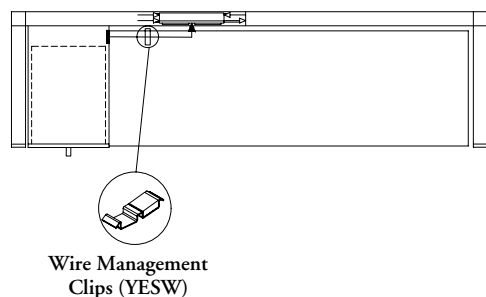


- Height from floor to power cord location in Mini Side Filers is 25" high
- The mini side filer can be planned at least 80" from a power source

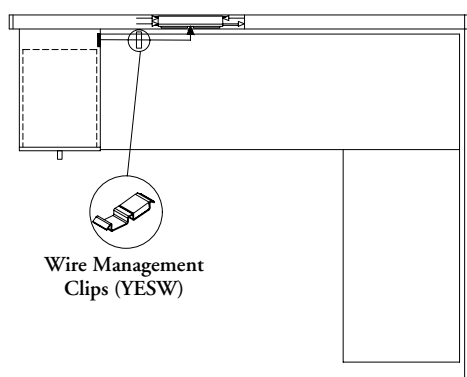
planning with side filer, mini side filer & USB power (continued)

side filers with fixed workspaces

- When planning parallel with Fixed Workspaces and Side Filers, the power cord will run from the side of the Filer (left shown) to Power Rod, Under-Worksurface Mount with Cable Tray (YEPD6)
- It is recommended Wire Management Clips (YESW) are specified. It is available from Complements: *Electrics Program*

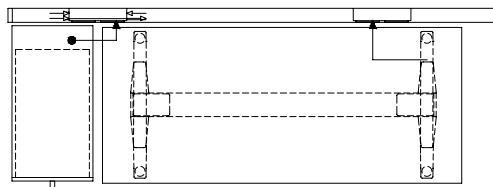


- When planning perpendicular with Fixed Workspaces and Side Filers, the power cord will run from the side of the Filer (left shown) to Power Rod, Under-Worksurface Mount with Cable Tray (YEPD6)
- It is recommended Wire Management Clips (YESW) are specified. It is available from Complements: *Electrics Program*

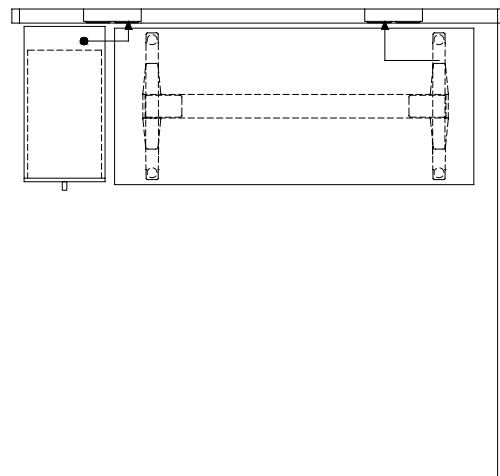


side filers with height-adjustable tables

- When planning parallel with Height-Adjustable Tables and Side Filers, the power cord will run from the bottom of the Side Filer to a District Panel
- Ensure Power Box (UNQP) is accessible on the panel to both the Height-Adjustable table, and the Side Filer



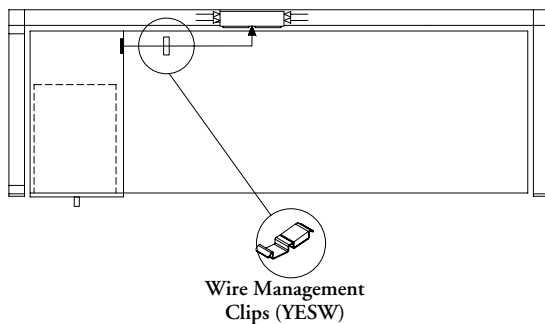
- When planning perpendicular with Height-Adjustable Tables and Side Filers, the power cord will run from the bottom of the Side Filer to a District Panel
- Ensure Power Box (UNQP) is accessible on the panel to both the Height-Adjustable table, and the Side Filer



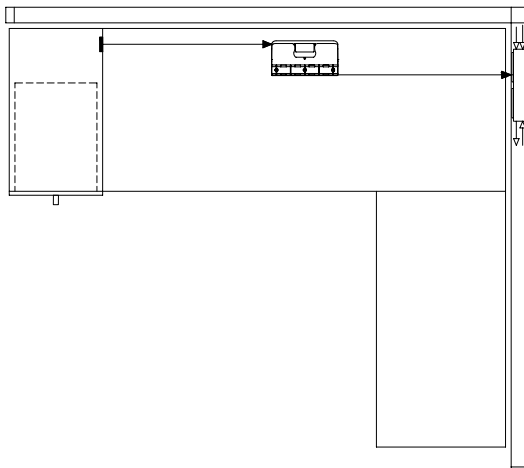
planning with side filer, mini side filer & USB power (continued)

mini side filers with fixed worksurfaces

- When planning parallel with Mini Side Filers, the power cord will run from the side of the Filer (left shown) to Power Rod, Under-Worksurface Mount with Cable Tray (YEPD6)
- It is recommended Wire Management Clips (YESW) are specified. It is available from Complements: *Electrics Program*

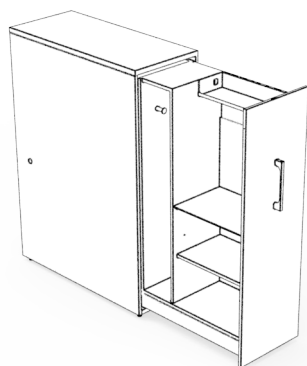


- When planning perpendicular with Fixed Worksurfaces and Mini Side Filers, the power cord will run from the side of the Filer (left shown) to Power Rod, Under-Worksurface Mount with Cable Tray (YEPD6)
- Power Rod (YEPD) cord will run and plug into a powered District Panel. It is recommended Wire Management Clips (YESW) are specified

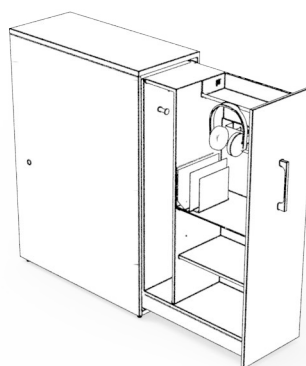


accessory bundle basics

District Side Filers and Mini Side Filers are available with or without Accessory Bundles. Accessory Bundles provide organization within the unit and are available in two groupings, Default and Accessorized.



Default (no accessory bundle)

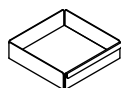


Accessorized (with accessory bundle)



Hanging Pen Pocket

- Finishes:
 - Foundation
 - Mica
 - Accent
- Provides storage for pens, pencils, markers and scissors
- Attaches to the accessory rail



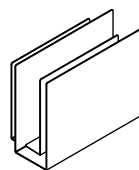
Hanging Tray

- Finishes:
 - Foundation
 - Mica
 - Accent
- Provides storage for small office accessories
- Attaches to the accessory rail



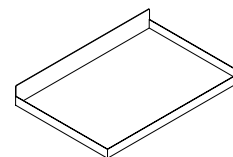
Headphone Hook

- Finishes:
 - Foundation
 - Mica
 - Accent
- Provides storage for standard headphones
- Attaches to the top shelf or accessory rail



Paper Filer

- Finishes:
 - Foundation
 - Mica
 - Accent
- Accommodates file folders, books and papers

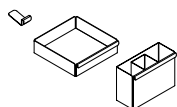


Boot Tray (UNBW)

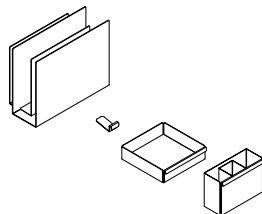
- Finishes:
 - Foundation
 - Mica
 - Accent
- Provides storage for shoes and boots
- Designed to sit on bottom shelf
- Ordered separately

accessory bundles

Accessory Bundles (UNAB) are available in the following:



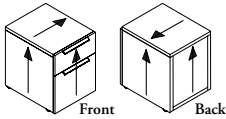
- Bundle A includes:**
- Hanging Pen Pocket
 - Hanging Tray
 - Headphone Hook



- Bundle B includes:**
- Hanging Pen Pocket
 - Hanging Tray
 - Headphone Hook
 - Paper Filer

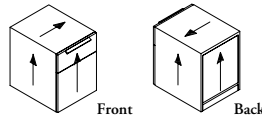
Attention to grain/pattern direction is important when planning storage. The following examples demonstrate this. Laminates do not have a one-way grain direction like veneers but rather a bi-directional grow pattern.

Rolling Pedestal (UPR)



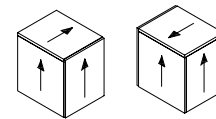
Laminate & Veneer

Rolling Pedestal with Box Drawer & Hinged Door (UPRB)



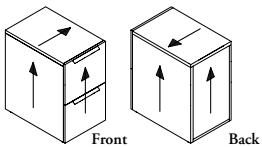
Laminate & Veneer

Rolling Pedestal with Hinged Door (UPRH)



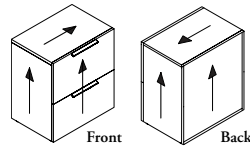
Laminate & Veneer

Pedestal with Solid Back (UPFD)



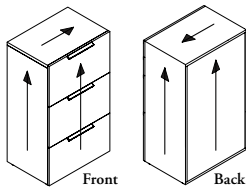
Laminate & Veneer

Stretch Pedestal – Elevated (UPS)



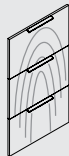
Laminate & Veneer

Lateral File (UFL)



Laminate & Veneer

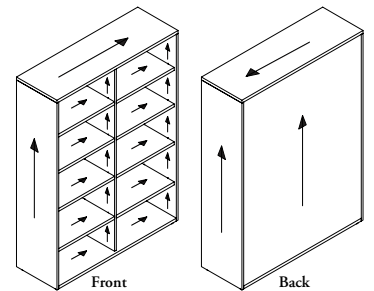
Grain Matching Fronts



Laminate & Veneer grains DO match across fronts on:

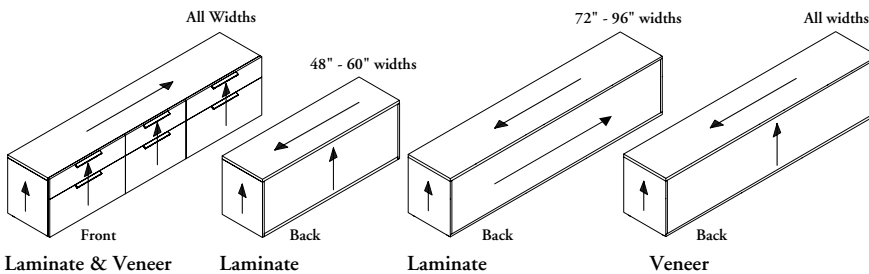
Pedestals, Stretch Pedestals and Lateral File Cabinets

Bookcase (UBK)



Laminate & Veneer

Low Full Drawer Credenzas (ULD) and High Full Drawer Credenzas (UHD)



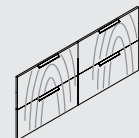
Laminate & Veneer

Laminate

Laminate

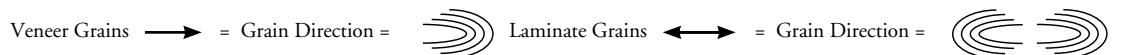
Veneer

Grain Matching Fronts



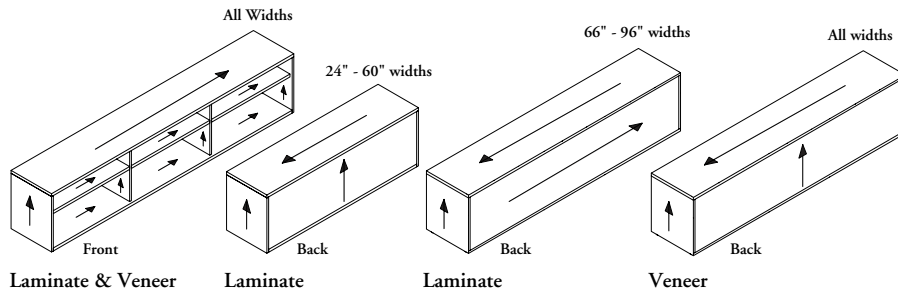
Laminate & Veneer grains DO match Vertically NOT Horizontally across fronts on:

Full Drawer Credenzas

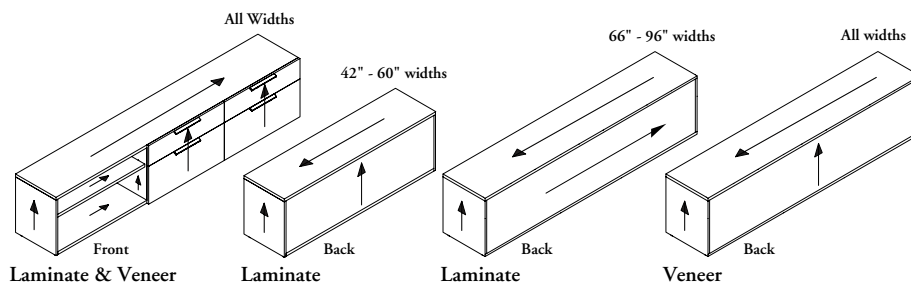


grain direction (continued)

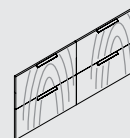
Low Open Credenzas (ULO) and High Open Credenzas (UHO)



Low Open with Drawer Credenzas (ULH) and High Open with Drawer Credenzas (UHH)



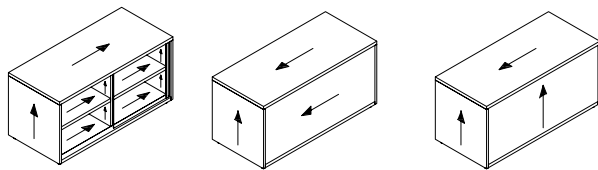
Grain Matching Fronts



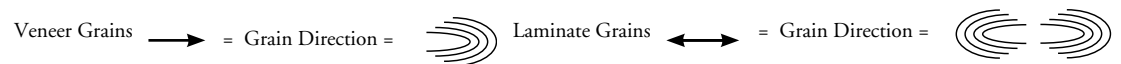
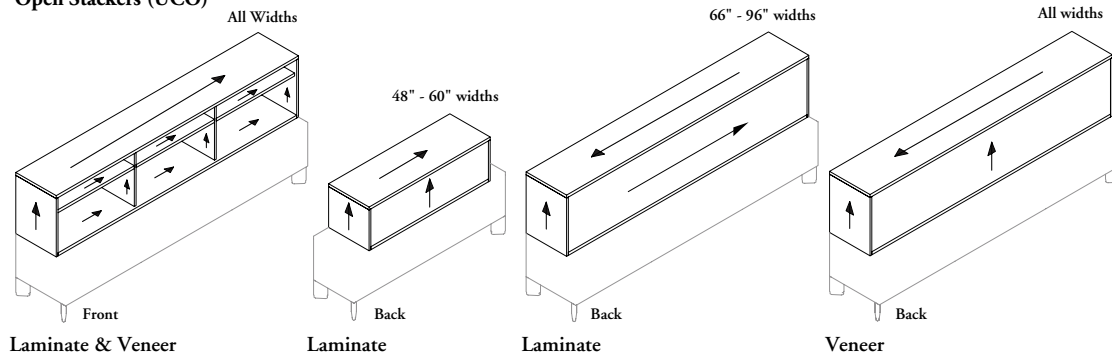
Laminate & Veneer grains
DO match Vertically
NOT Horizontally
across fronts on:

Open with Drawer Credenzas and
Dual Cubby Credenzas

Low Double Sliding Door Credenzas (ULS) and High Double Sliding Door Credenzas (UHS)

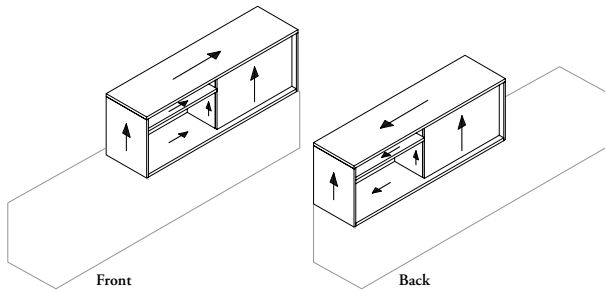


Open Stackers (UCO)



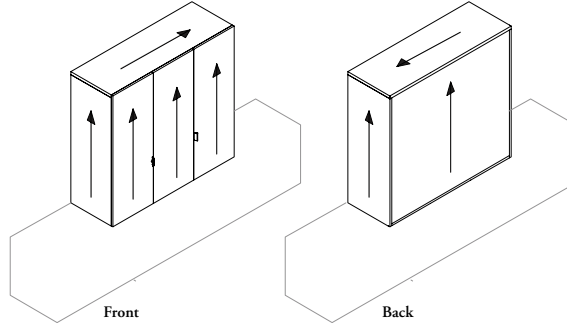
grain direction (continued)

Double-Sided Stackers



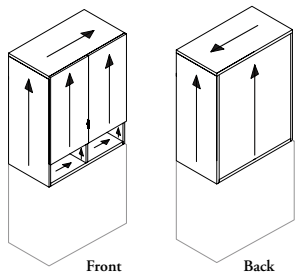
Laminate & Veneer

Closed Stacker (UCC)



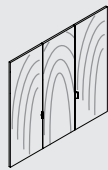
Laminate & Veneer

Closed Stacker with Cubbies (UCB)



Laminate & Veneer

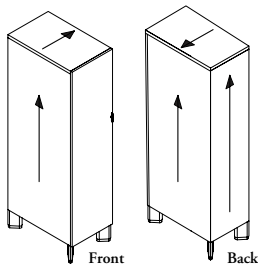
Grain Matching Fronts



Laminate & Veneer grains
DO NOT
match across fronts on:

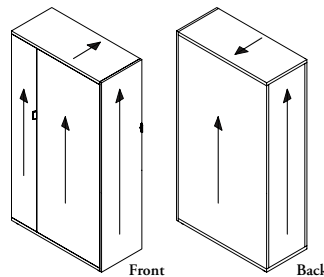
Stackers with Doors

Single Locker with Solid Back (UKSD)



Laminate & Veneer

Single Locker with Side Closet (UKC)



Laminate & Veneer

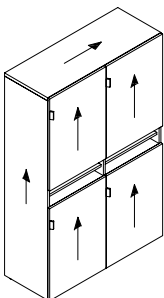
Grain Matching Fronts



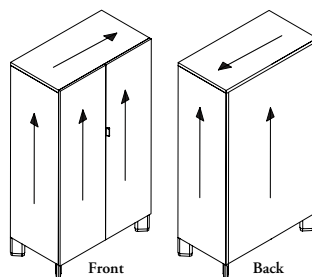
Laminate & Veneer grains
DO
match across fronts on:

Split Door Single Lockers

Cubby Locker (UKN)

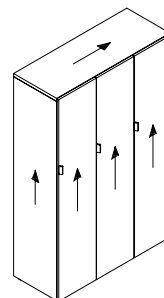


Dual Locker (UKD)

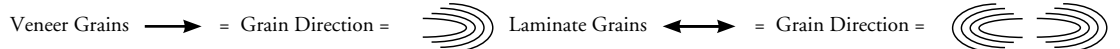
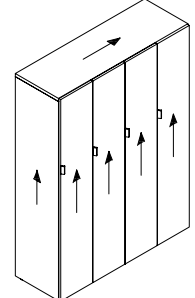


Laminate & Veneer

Triple Locker (UKT)

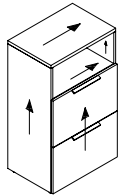


Quad Locker (UKQ)

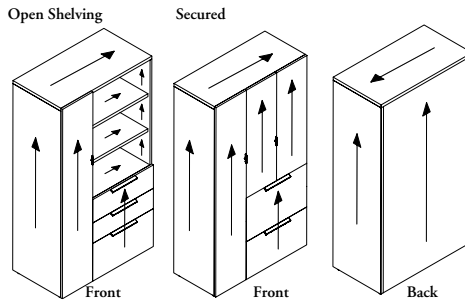


grain direction (continued)

Lateral Tower (UTL)

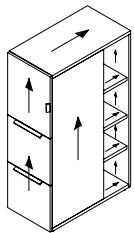


Combo Tower (UTC)

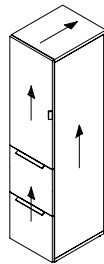


Laminate & Veneer

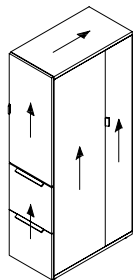
Pedestal Tower with Cubby Back (UTDC)



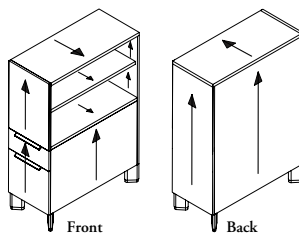
Pedestal Tower with Solid Back (UTDD)



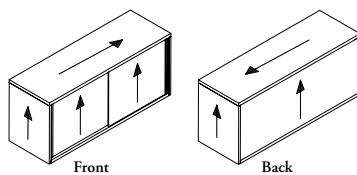
Pedestal Tower with Side Closet (UTDK)



Side Open Tower (UTW) and Wide Side Open Tower (UTWW)



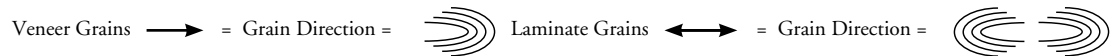
Sliding Door Overhead (UOH)



Grain Matching Fronts

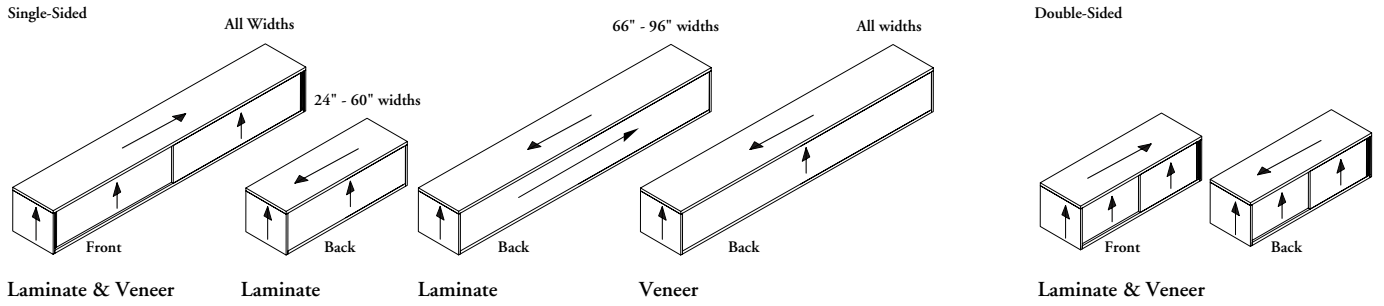
Laminate grains
DO NOT
match across door fronts but do
match across drawer fronts on:
Lockers and Towers

Veneer grains
DO NOT
match horizontally
across fronts on:

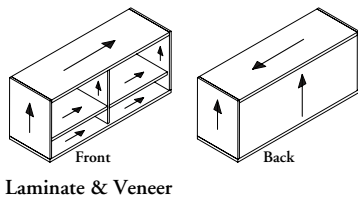


grain direction (continued)

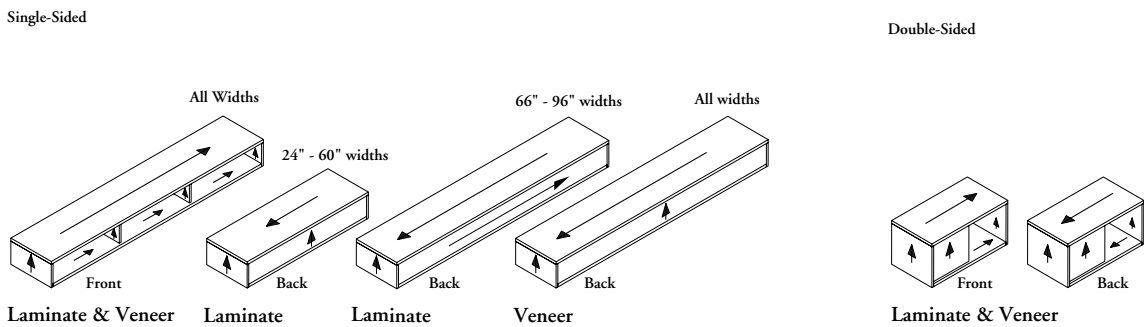
Sliding Door Centermount Overhead (UOHC)



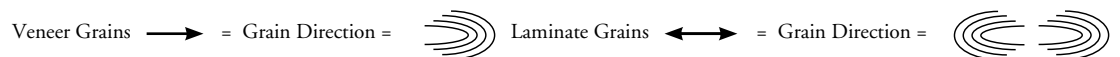
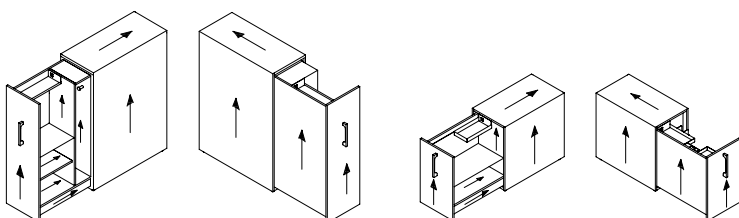
Open Overhead (UOO)



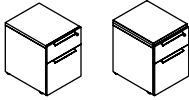
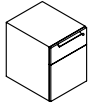
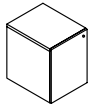
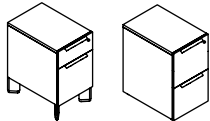
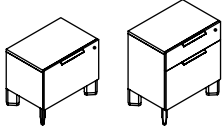
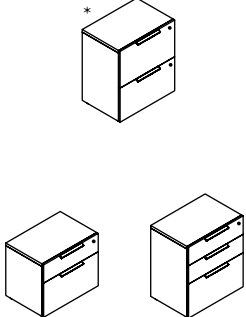
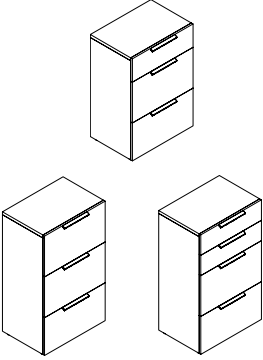
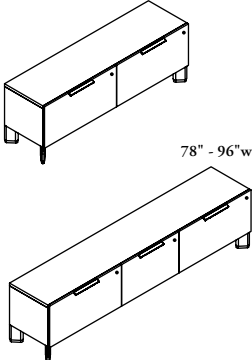
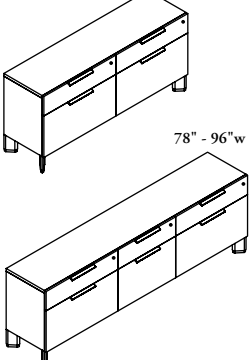
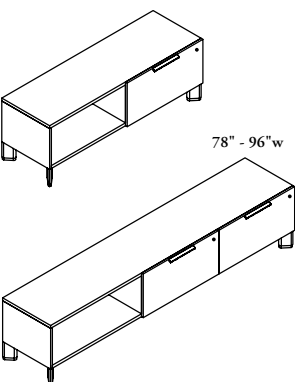
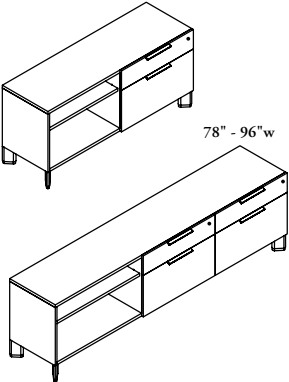
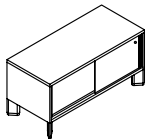
Open Centermount Overhead (UOOC)



Side Filer (UTS) and Mini Side Filer (UTM)

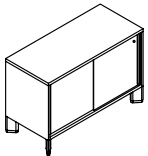
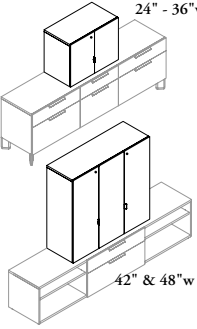
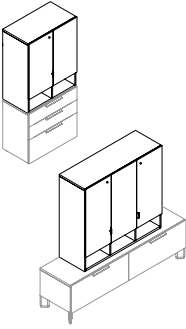
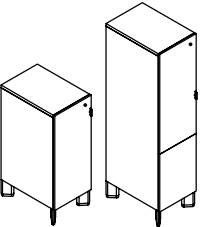
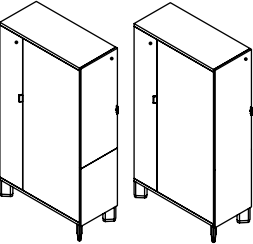
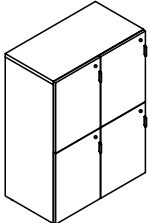
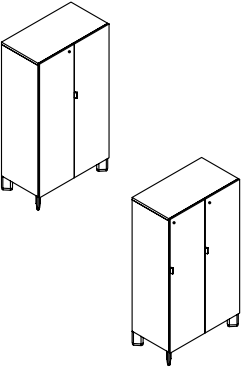
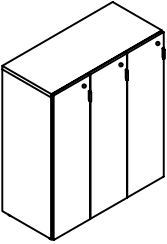
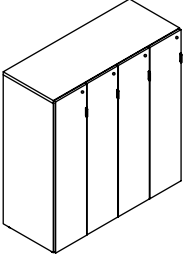
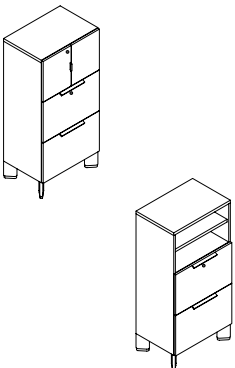
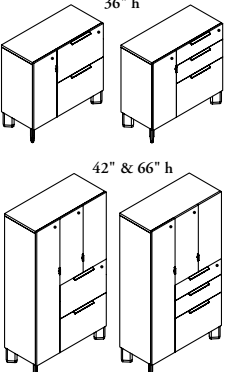
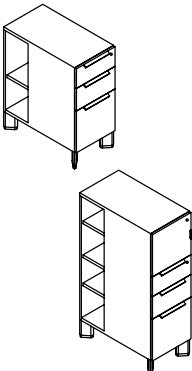


lock chart

	number of locks		number of locks		number of locks
 <p>UPR</p>	1 x	 <p>UPRB</p>	2 x	 <p>UPRH</p>	1 x
 <p>UPFD</p>	1 x	 <p>UPSE</p>	1 x	 <p>UPSS</p>	<p>2 x on File/File (If specified)</p> <p>1 x</p>
 <p>UFLS</p>	1 x	<p>48" - 72"w</p>  <p>ULDE (shown) / ULDS</p>	2 x	<p>48" - 72"w</p>  <p>UHDE (shown) / UHDS</p>	2 x
 <p>ULHE (shown) / ULHS</p>	1 x	<p>48" - 72"w</p>  <p>UHHE (shown) / UHHS</p>	1 x	 <p>ULSE (shown) / ULSS</p>	1 x
	2 x		2 x		

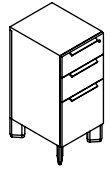
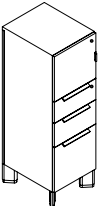
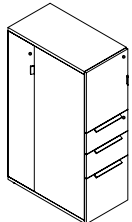

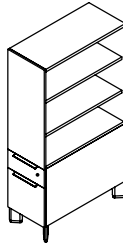
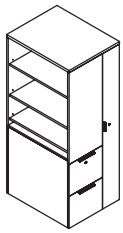
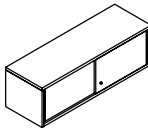
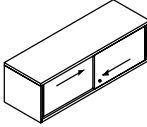
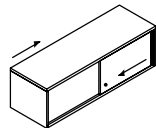
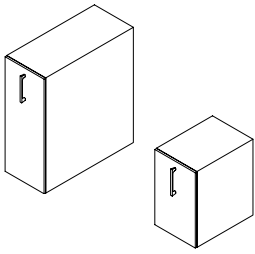
* Can have two locks if Individual Lock is specified

lock chart (continued)

	number of locks		number of locks		number of locks
 UHSE (shown) / UHSS	1 x	 UCC	1 x	 UCB	1 x
			2 x		2 x
 UKSD	1 x	 UKC	2 x	 UKN	4 x
 UKD	1 x	 UKT	3 x	 UKQ	4 x
	2 x				
 UTLE (shown) / UTLS	2 x	 UTCE (shown) / UTCS	2 x	 UTDC	1 x
	1 x				2 x

lock chart (continued)

240

	number of locks		number of locks		number of locks
  UTDD	1 x 2 x	 UTDK	3 x	  UTW	1 x
 UTWW	2 x	 UOH	2 x	 Single-Sided  Double-Sided UOHC	1 x 2 x
 UTS / UTM	1 x				

* Can have two locks if Individual Lock is specified

supports

supports

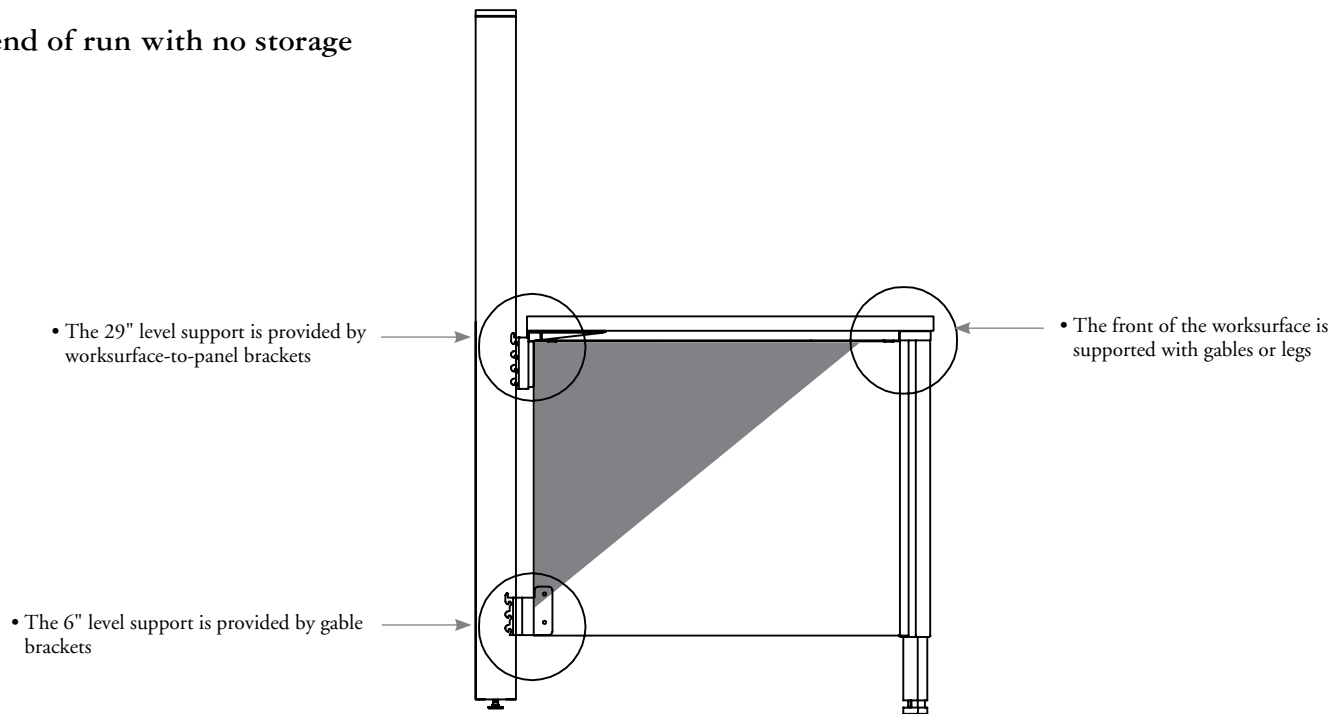
UNDERSTANDING DISTRICT SUPPORT	244
WORKSURFACE SUPPORT BASICS – HORIZONTAL	245
PLANNING WITH WORKSURFACE SUPPORTS – HORIZONTAL	246
WORKSURFACE SUPPORT BASICS – VERTICAL	250
PLANNING WITH PANEL-MOUNTED CANTILEVERED SUPPORTS	251
WORKSURFACE SUPPORT, FREESTANDING BASICS	252
PLANNING WITH WORKSURFACE SUPPORTS, FREESTANDING	253
PLANNING WITH SEMI-SUSPENDED SUPPORTS	254
WORKSURFACE-TO-STORAGE SUPPORT BASICS	255
PLANNING WITH WORKSURFACE TO STORAGE SUPPORTS	256
STORAGE-TO-PANEL SUPPORT BASICS	258
SELECTING THE CORRECT STORAGE-TO-PANEL BRACKET	259
WORKSURFACE SUPPORTS W/R/S BASICS	261
PLANNING WITH W/R/S SUPPORTS	262
PLANNING WITH KEYBOARD TRAYS	264

understanding district support

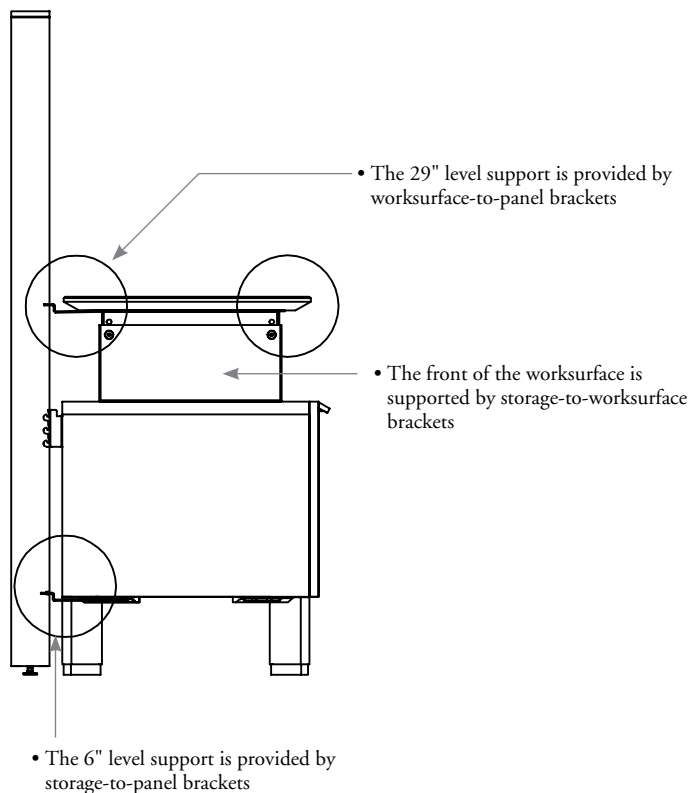
The following outlines the guidelines for supporting panels and worksurfaces in panel-mounted applications.

- When planning with District panels, the end of run conditions must be supported at 6" and 29" high and at the front of a work-surface or storage. There are different ways of providing support, depending on whether storage or end gables are used
- When properly supported, the method of support forms a triangle

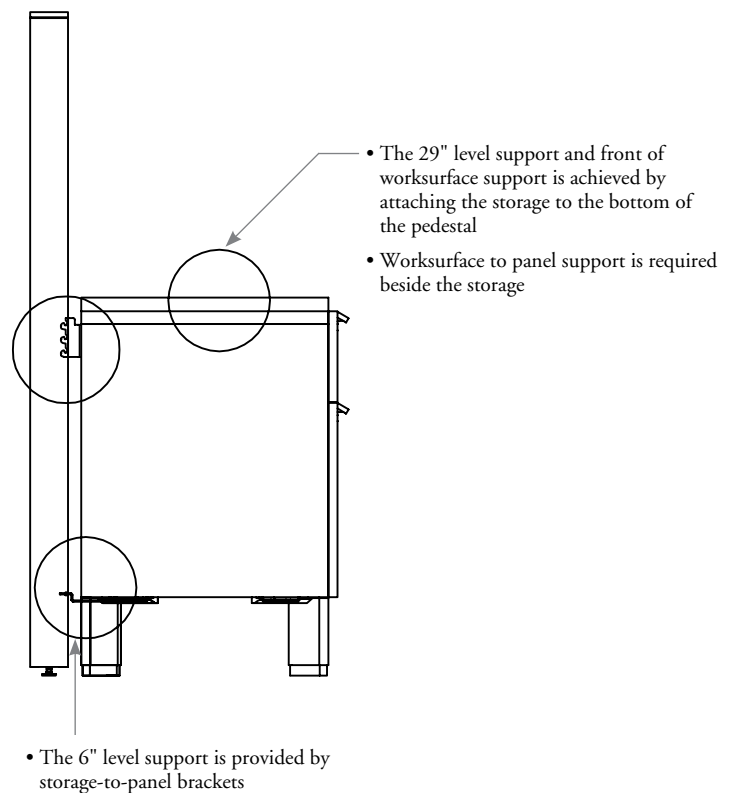
end of run with no storage



end of run with low storage

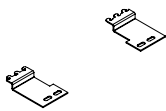
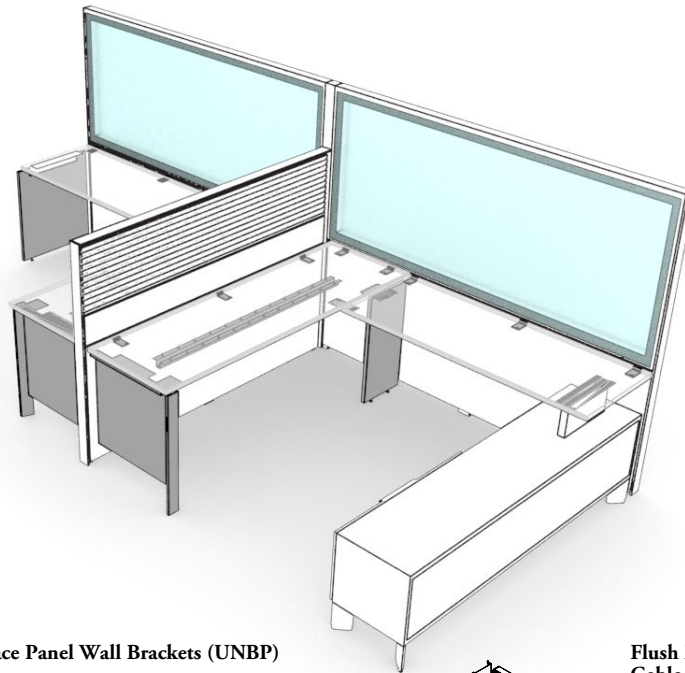


end of run with high storage



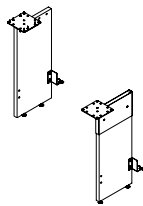
worksurface support basics – horizontal

The following outlines the features of supports that connect horizontally, either below worksurfaces, or for connecting worksurface to panel walls.



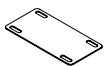
Worksurface Panel Wall Brackets (UNBP)

- Off-module connectors that attach the worksurface to a Panel Wall
- Are mounted in the 29" high horizontal rail and can be connected at any point along the width of the worksurface and Panel Wall but must be spaced minimally every 48"
- Are **not** height-adjustable
- **Cannot** be used on Elevated or Convertible Panel Walls with Inset Glass (UYPER, UYPCR)



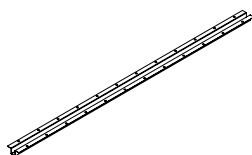
Mid Gable (UNGMF) & Mid Gable – Height-Adjustable (UNGMFA)

- Used on worksurface spans larger than 72" to provide additional floor support or to join two worksurfaces, also includes a bracket at the 6" high level to provide support to the panel wall if required
- (UNGMFA) offers a height-adjustable leveling option with a range of 3" (2" above and 1" below worksurface)



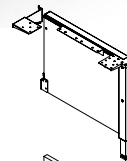
Flush Plate (UNRF)

- Used in conjunction with other supports to maintain alignment of worksurfaces
- **Cannot** be used in freestanding applications, is used in panel wall application only
- **Not** required when cantilevers are used



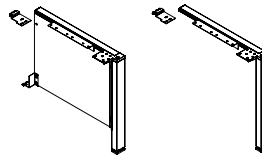
Worksurface Reinforcement Channel (UNRC)

- Adds rigidity to worksurface to reduce deflection in the worksurface
- Required for all worksurfaces with an unsupported span over 48"



Flush End Gable (UNGEF) & Flush End Gable – Height-Adjustable (UNGEFA)

- Consists of a solid gable and a support to allow to be attached to the underside of a worksurface and to a panel available in depths to match 17", 20", 24", 30", 36" deep worksurfaces
- Available in depths to match 17", 20" 24" 30", & 36" deep worksurfaces
- (UNGEFA) offers a height-adjustable leveling option with a range of 3" (2" above and 1" below worksurface)



End Gable (UNGEN) & End Gable – Height-Adjustable (UNGEAN)

- Provides floor support to a panel wall at the end of worksurface run and also has a bracket at the 6" high level to provide panel support
- Consists of a single leg and a support to allow it to be attached to the underside of a worksurface and to the panel to provide floor support to a panel wall at the end of a worksurface run available in depths to match 17", 20", 24", 30", 36" deep worksurfaces
- Available in depths to match 17", 20" 24" 30", & 36" deep worksurfaces
- Available open or with an infill panel
- The infill has a bracket at the 6" high level and is used when panel support is required at the 6" level - the no infill option **cannot** be used for supporting panels as it does **not** include the bracket
- (UNGEAN) offers a height-adjustable leveling option with a range of 6" (3" above and 3" below worksurface) and is available with or without an infill
- **Cannot** be used on Elevated or Convertible Panel Walls with Inset Glass (UYPER, UYPCR)

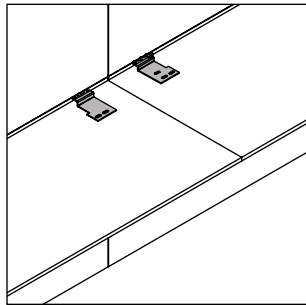
planning with worksurface supports – horizontal

The following should be considered when planning with worksurface horizontal supports.

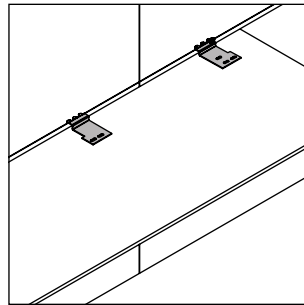
Worksurface Panel Wall Brackets

- Panel wall brackets mount into the 29" high horizontal rail of the panel wall, to support worksurface on- or off-module

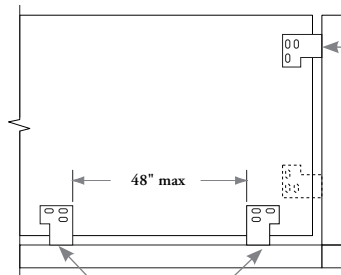
246



On-Module worksurface shown

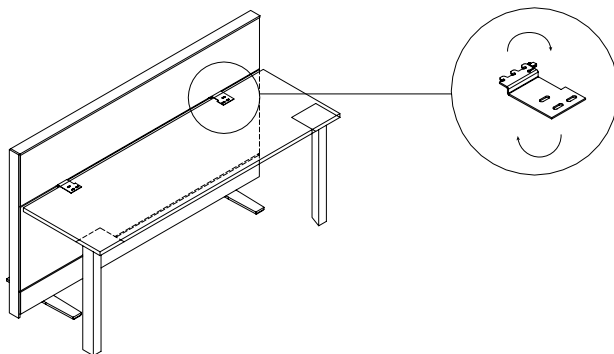


Off-Module worksurface shown



- A corner bracket located at the side edge can support worksurface end when it **cannot** be located along the back edge
- Typically worksurface ends only require one bracket towards the user edge for support

- Brackets are required at every 48" along a worksurface
- At least one left and one right bracket should be used for anti-dislodgement – brackets are packaged in pairs, one right and one left

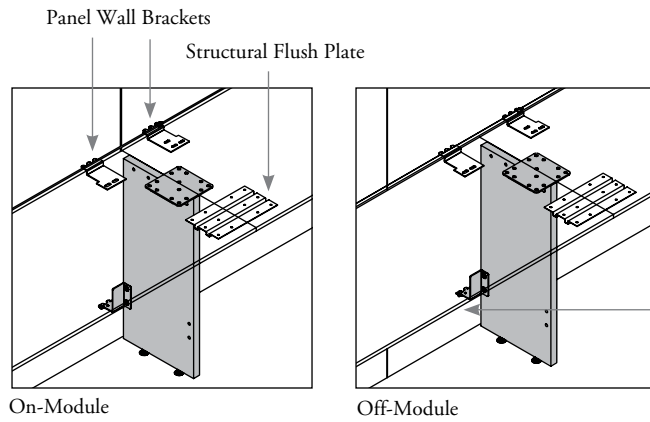


When mounting a worksurface to a freestanding panel, the Worksurface Panel Wall Bracket (UNBP) must be rotated 180° to have the worksurface reach a 28" datum.

planning with worksurface supports – horizontal (continued)

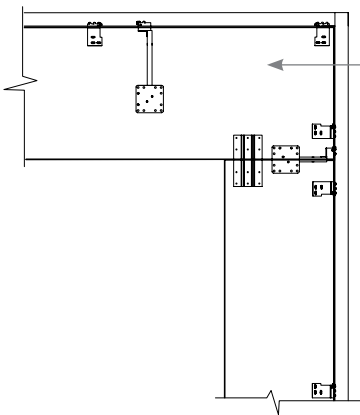
Mid Gable & Mid Gable – Height-Adjustable

- The 12" deep mid gable is used for 20" and 24" deep worksurfaces and the 18" deep half gable is used for 30" & 36" deep worksurfaces

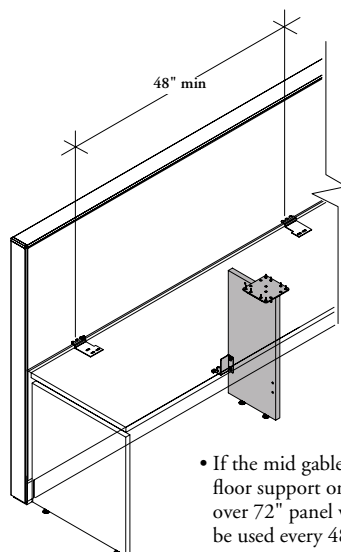


- Worksurface panel wall brackets are required on either side of the mid gable when connecting two worksurfaces
- A Structural Flush Plate is required at the front of the surfaces to maintain alignment

- The mid gable provides support to the panel by mounting to the 6" rail
- A 22" high and 6" high fascia must be specified for use with the gable (See Fascias section for details)



- Worksurfaces on- or off-module in straight runs or in L-shaped configurations are used to connect or support



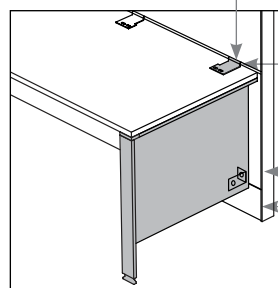
- If the mid gable is used for additional floor support on worksurface runs over 72" panel wall brackets must still be used every 48"

planning with worksurface supports – horizontal (continued)

End Gable & End Gable – Height-Adjustable

- End gables mount into the 6" and 29" high levels to provide support to the end of a panel run

- A Panel Wall Bracket is included to provide the support at 29" high



- Mounts flush with the outside edge of the worksurface regardless of the worksurface profile

- A 22" and 6" high fascia must be specified with the end gable with infill

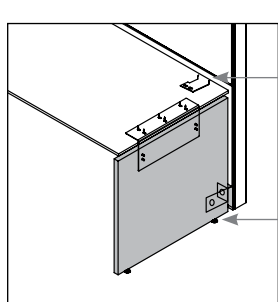
248

- The infill panel option includes a mounting bracket at the 6" high level so must be used when support is required at the 6" horizontal level
- The bottom edge of the infill panel aligns with the 6" high horizontal rail
- On the height-adjustable option, it has a different bracket which attaches to the vertical channel of the frame and travels up and down with the infill

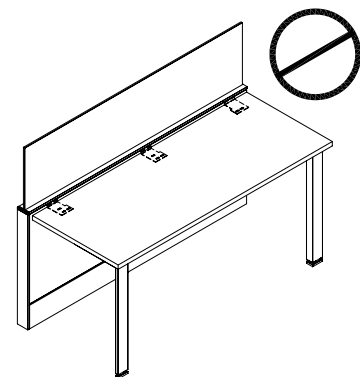
Flush End Gable & Flush End Gable – Height-Adjustable

- Provides the same support as an end gable, but is solid to provide an alternative aesthetic

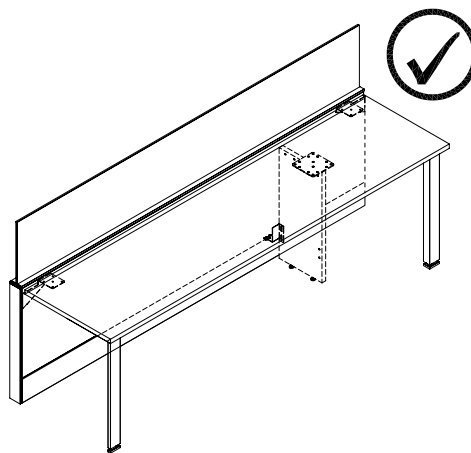
- A Panel Wall Bracket is included to provide the support at 29" high



- Provides support at the 6" high horizontal rail of the panel wall



Worksurfaces **cannot** be mounted to 29" high Panel Walls with Inset Glass using Worksurface Panel Wall Bracket (UNBP) due to restricted access to the top horizontal rails.

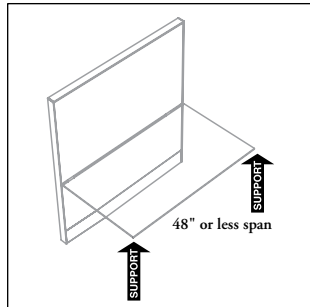


To accommodate 29" high Panels with Inset Glass with a worksurface mounted you must specify a Worksurface Panel Wall Bracket – Height Adjustable (UNBPA) on either end of the worksurface. If the Panel width is greater than 72" a Mid Gable (UNGMF) must also be specified every 72".

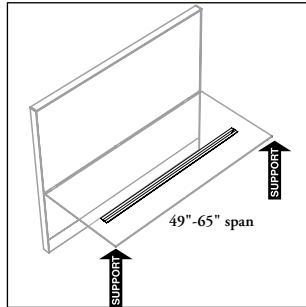
planning with worksurface supports – horizontal (continued)

reinforcement channel requirements

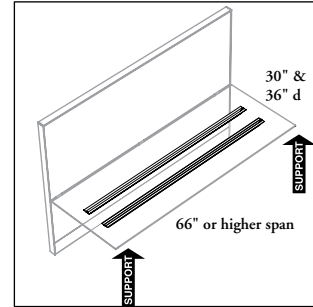
- When a worksurface has an unsupported span of a 48" or more reinforcement channels are required
- The unsupported span is the distance between two supports or storage units



For unsupported spans 48" or less, no reinforcement channels are required for all depths of worksurfaces.



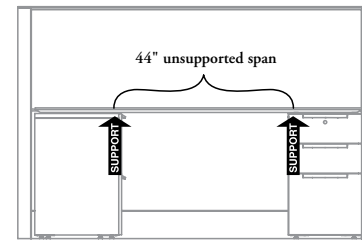
For unsupported spans from 49" to 65", one reinforcement channel only is required for all depths of worksurfaces.



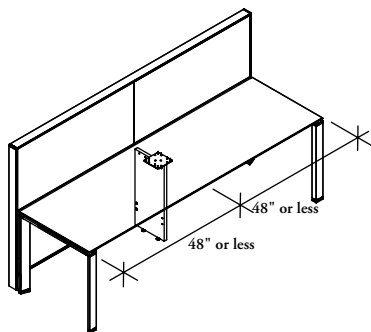
- Worksurfaces 30" or 36" deep two reinforcement channels are required
- One reinforcement channel is required on worksurfaces 24" deep



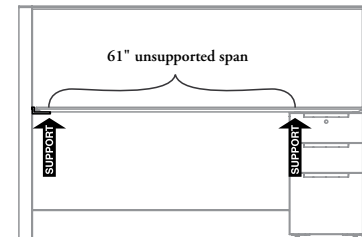
- A deduction allowance can be given for the mounting plates on supports
- Allow 6" for all supports except: for the low credenza worksurface support 10"
- The reconfigurable low credenza worksurface bracket which is either 16" or 19"



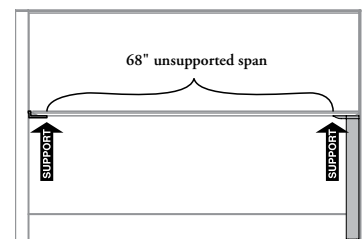
- Example: a 78" wide worksurface supported by a pedestal and a 19" deep credenza has an unsupported span of 44"
- No reinforcement channel is required because the unsupported span is less than 48"



- When planning with surfaces wider than 72" that will require secondary floor support, consider placing the support where it will shorten the unsupported distance on each side to 48" or less
- No reinforcement channel will be required, this is important to consider when planning with keyboard trays



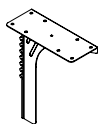
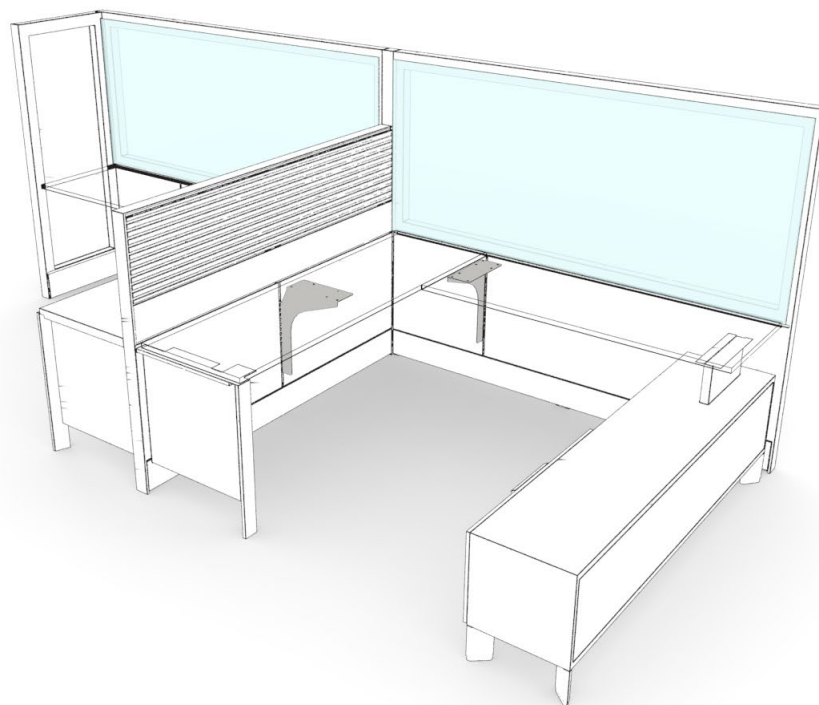
- Example: a 78" wide worksurface supported by a pedestal and panel brackets has an unsupported span of 61"
- One reinforcement channel is required



- Example: a 78" wide worksurface supported by a gable and panel brackets has an unsupported span at 66"
- 2 reinforcement channels are required if the surface is 30" or 36" deep

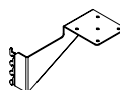
worksurface support basics – vertical

The following outlines the features of vertical supports that allow for height-adjustable worksurface mounting.



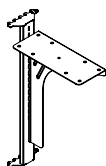
Cantilever (UNLVR)

- Mounts into the center vertical channel of a panel wall over 60" wide to provide on module height-adjustable worksurface support at 1" increments available in depths of 11" & 14"
- Available in depths to match 11" & 14"



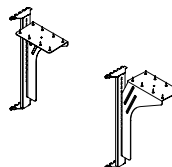
Worksurface Panel Wall Bracket – Height-Adjustable (UNBPA)

- Mounts into the vertical channel at the end of a Panel Wall to provide on-module height-adjustable support for worksurfaces
- Used with Flush Full-Height Windows – Single and Double Glazed (UNPFWS, UNPFWD) to support worksurfaces as no horizontal channel is available at 29" high



Off-Module Cantilever (UNLVFN)

- Mounts in the 6" and 29" horizontal channels of the Panel Wall to allow for height-adjustable off-module applications
- Can be used in place of the Mid Gable (UNGMF) and Height-Adjustable Mid Gable (UNGMFA), height-adjustable on an elevated panel as it does **not** extend below the 6" horizontal rail available in depths of 11" & 14"
- Available in depths to match 11" & 14"
- **Cannot** be used on Elevated or Convertible Panel Walls with Inset Glass (UYPER, UYPCR)
- **Cannot** be used on any Panels with Accessory Beam (UAFFR, UAFER, UAFCR)



Off-Module Cantilever for Panels with Accessory Beam (UALVFN)

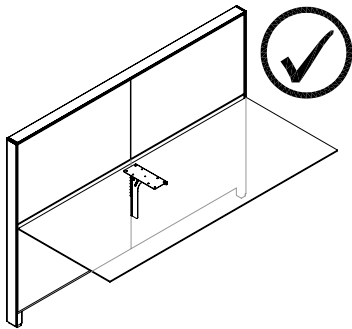
- Available in depths to match 11" & 14"
- Left or Right handed available
- Mounts to the horizontal channel of the panel to provide on-module height-adjustable worksurface support at 1" increments
- Used only when using a panel frame with accessory rail in order to accommodate the gap from the beam

planning with panel-mounted cantilevered supports

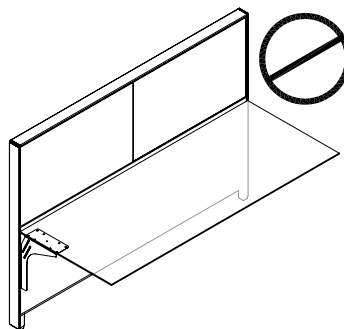
The following should be considered when planning with cantilevered height-adjustable supports.

- On worksurfaces attached to panel walls, support is required every four feet and secondary floor support every six feet
- Cantilevers are **not** considered floor support

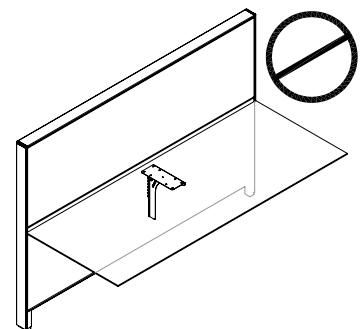
Cantilever (UNLVR)



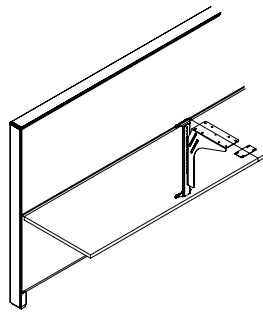
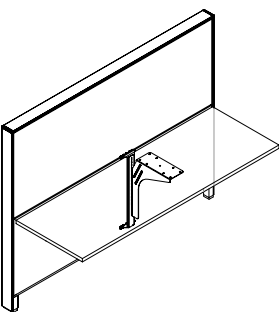
- Cantilevers mount vertically so are used only in the middle of a panel run where there is a vertical break in the panel (including one panel wider than 66" with split fascias)



- **Cannot** be used as an end-of-run support

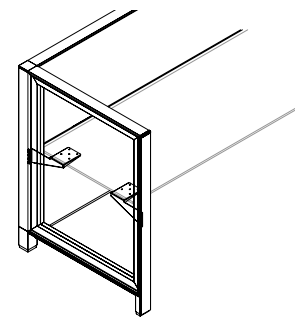
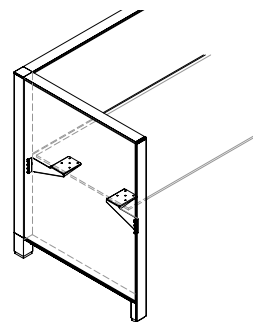


- **Cannot** be used on panels less than 60" wide because there is no center vertical frame to attach to



Off-Module Cantilever (UNLVF)

- Placed directly below a worksurface or the connection of two worksurfaces and can be mounted anywhere along the length of a panel
- Is mounted into the horizontal rails of the panel (6" and 29")
- The flange is wide enough to span the connection (with or without knife-edge worksurfaces)
- A Flush Plate should be used for added alignment if used at the intersection of two surfaces
- A 22" and 6" lower fascia are required for use with this cantilever if a flush panel is used
- Recommended for use with Elevated Panel Walls because the bracket does **not** extend below the 6" horizontal rail

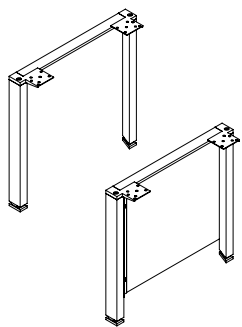
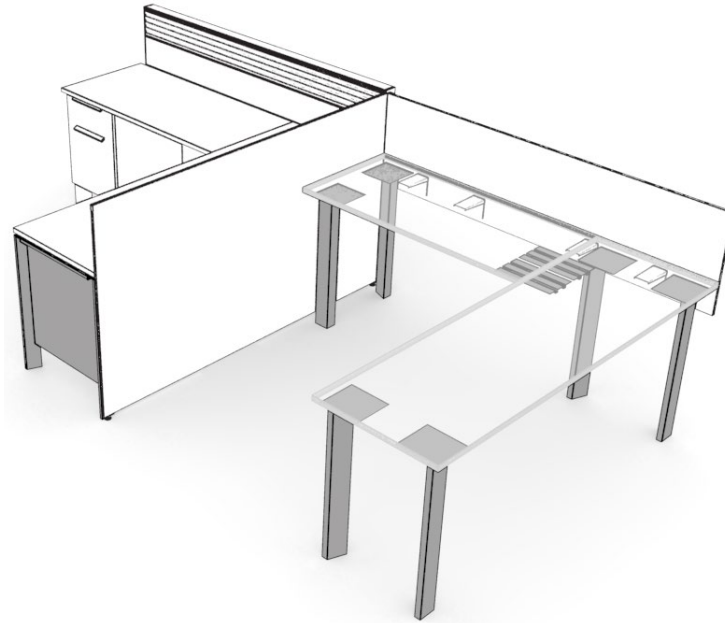


Worksurface Panel Wall Bracket – Height-Adjustable (UNBPA)

- Hooks into the vertical channel at the end of a panel wall only to provide height-adjustable support
- Is an on-module bracket only
- Can be used for non height-adjustable mounting with Flush Full-Height Windows – Single and Double Glass (UNPEWSR, UNPFWDR) where no horizontal channel is available at 29" high

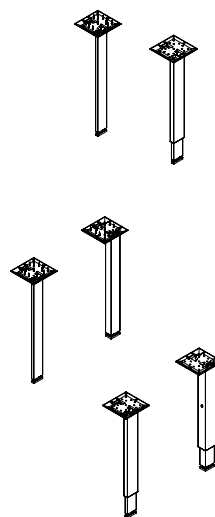
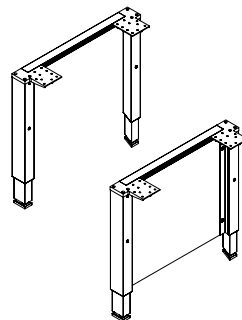
worksurface support, freestanding basics

The following outlines the features of supports that are typically used in freestanding or semi-supported environments.



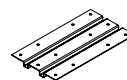
Semi-Suspended Gable (UNGSN) & Semi-Suspended Gable – Height-Adjustable (UNGSAN)

- Consists of two legs and a support, and is used at the open end of a panel wall mounted semi-suspended worksurface
- Available with or without an infill, standard or height-adjustable
- Have a height-adjustable range of 6" (3" above and 3" below)



Leg – Single (UNLGN), Leg – Height-Adjustable Single (UNLGA), Leg – Pair (UNLGN) and Leg – Height-Adjustable Pair (UNLGA)

- Used primarily in freestanding applications to provide worksurface support but can also be used for intermediate support in panel wall applications
- Available in single or pairs, standard or height-adjustable
- Have a height-adjustable range of 6" (3" above and 3" below)

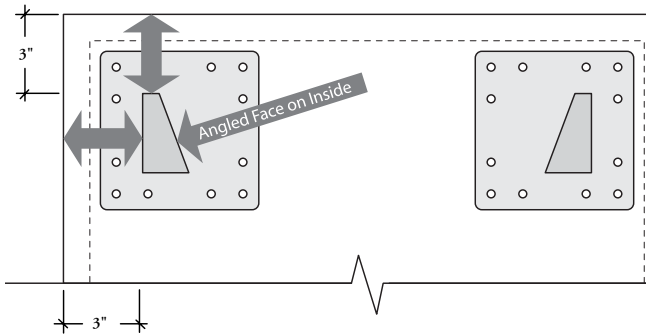


Structural Flush Plate (UNRFS)

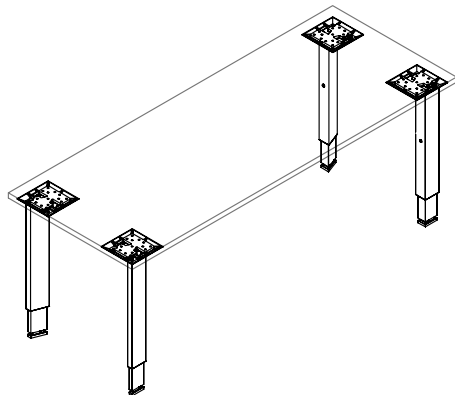
- Used to join two worksurfaces in freestanding application
- Two Structural Flush Plates used with a leg provides the required stability to create freestanding desks

planning with worksurface supports, freestanding

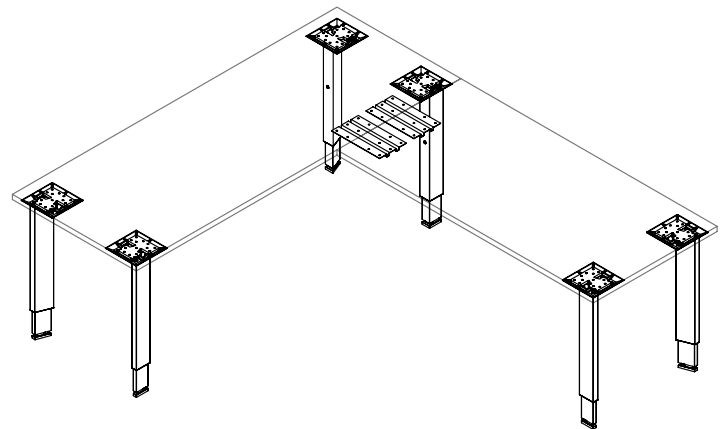
The following should be considered when planning with freestanding supports.



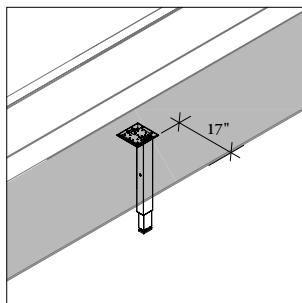
When post legs are used at the end of a worksurface the legs are inset from each end by 3" and the angled face is always on the inside



Freestanding desks can be created using a District worksurface and either two pairs or four single legs.

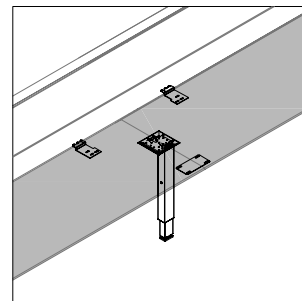


When an "L" shaped freestanding workstation is created the leg between the two worksurfaces is **not** shared, it mounts to one worksurface and two Structural Flush Plates are used to connect the two surfaces.



Leg as an Intermediate Support

- A leg can be used as an intermediate support to provide floor support
- The position on the leg is the same regardless of the worksurface edge profile, and is always 17" from the user edge of the worksurface



Leg as a Shared Intermediate Support

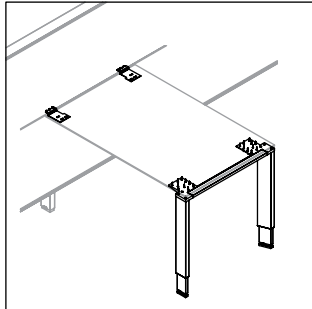
- When used in a shared position one leg supports both worksurfaces, and the 3" flat worksurface of the Post Leg is oriented toward the user
- A Flush Plate is required to align the two surfaces

planning with semi-suspended supports

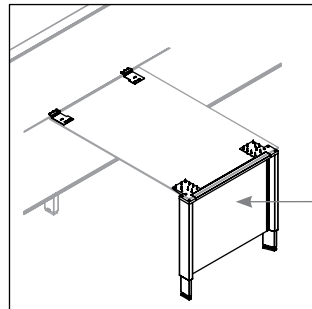
The following should be considered when planning with semi-suspended supports.

Semi-Suspended Gable (UNGSN) & Height-Adjustable Semi-Suspended Gable (UNGSAN)

254



- Has a horizontal bar connecting the two legs for added support in semi panel-mounted applications



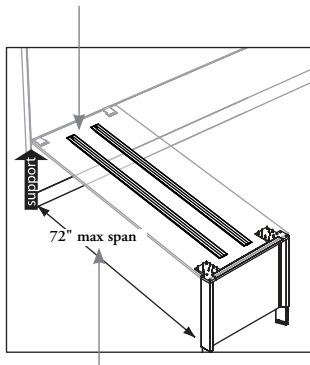
Infill

- An infill is **not** necessary for rigidity of a Semi-Suspended Gable. It is an aesthetic option for matching panel-mounted gables with infills

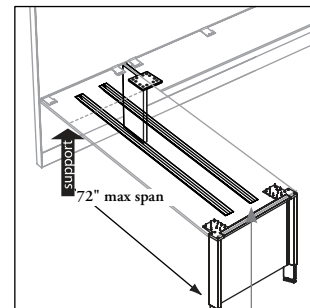
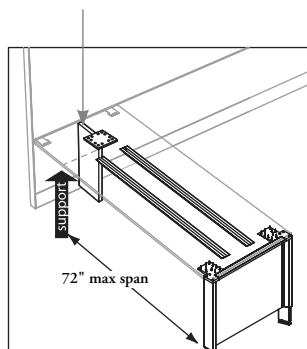
mounting semi-suspended surfaces to panel walls

- Two Worksurface Panel Wall Brackets (UNBP) are required on any panel supported worksurface end

- The size of the semi-supported worksurface can be increased using a half depth gable to reduce the unsupported span



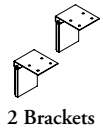
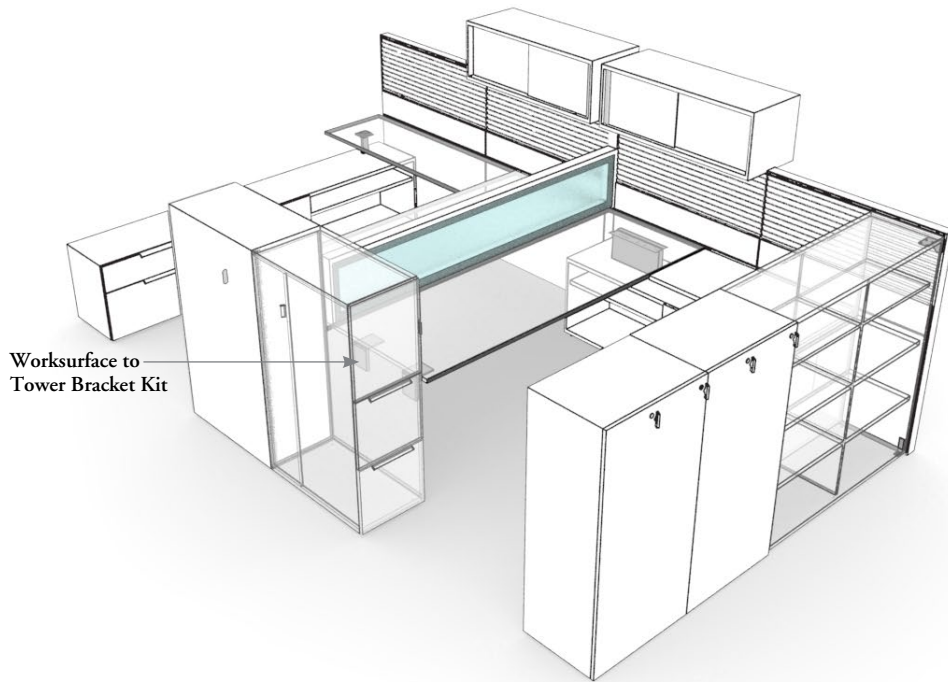
- The maximum width of the worksurface is 72" unless additional floor support is added



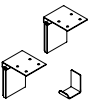
- Mid Gables (UNGMF) or Cantilevers should be used at connections between panel supported and semi-supported worksurfaces

worksurface-to-storage support basics

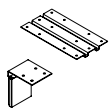
The following outlines the features of supports that connect storage to panel walls, worksurfaces and walls.



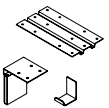
2 Brackets



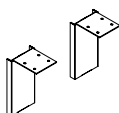
2 Brackets/One Hook



1 Bracket/1 Flush Plate



1 Bracket/1 Flush Plate/
One Hook

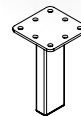


Worksurface-to-Tower Bracket Kit (UWBT)

- Used to attach worksurfaces to storage components
- Available with four options:
 - (BB) two brackets, which are used with storage with no cubbies – the brackets attach to the underside of the worksurface and the side of the storage
 - (HB) two brackets, one hook, which are used with storage with no cubbies – the brackets attach to the underside of the worksurface and the side of the storage, and the hook attaches to the bracket to hang personal items
 - (BF) one bracket, one flush plate, which are used with storage with cubbies – the bracket attaches to the underside of the worksurface and the side of the storage, and the flush plate attaches the worksurfaces and a shelf in the cubby section of the storage
 - (HF) one bracket, one flush plate, one hook, which are used with storage with cubbies – the bracket attaches to the underside of the worksurface and the side of the storage, the flush plate attaches the worksurfaces and a shelf in the cubby section of the storage, and the hook attaches to the bracket to hang personal items

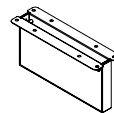
Height-Adjustable Worksurface-to-Tower Bracket Kit (UWBTH)

- **Cannot** be used on a Tower with Cubby Back (UTDC).

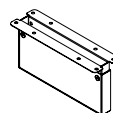


Mini Leg (UNCLN)

- Used in place of the Low Credenza Worksurface Support (UNCPWN) when panel support and height-adjustability is **not** required because it does **not** attach the storage, it simply rests on it
- **Cannot** be used in freestanding desking applications
- Must be used with Worksurface Panel Wall Bracket (UNBP) and Storage-to-Panel Bracket (UWSPB). This combination provides support to panels



Fixed-Height



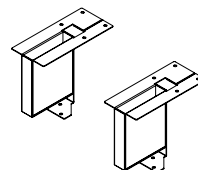
Height-Adjustable

Low Credenza-to-Worksurface Supports (UNCPWN)

- Mount to the underside of a worksurface and to the top of a Low Credenza to provide support to the worksurface
- When used in combination with the Worksurface Panel Wall Bracket (UNBP) and Storage-to-Panel Bracket (UWSPB), support is provided for panels
- Offer a height-adjustable leveling option with a range of 4" (3" above the fixed height of 7" or 1" below the fixed height of 7")

Reconfigurable Low Credenza-to-Worksurface Support (UWCPWN)

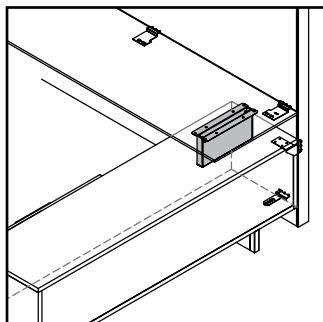
- Mounts to the underside of the worksurface, wraps around the top of an open compartment on low storage and attach to the underside of the open section
- Does **not** attach to the top of a storage unit, therefore **not** making it to allow for reconfigurability
- Is **not** height-adjustable



planning with worksurface to storage supports

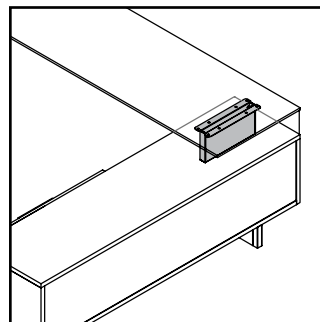
The following should be considered when planning with worksurface to storage supports.

Low Credenza-to-Worksurface Supports (UNCPWN)



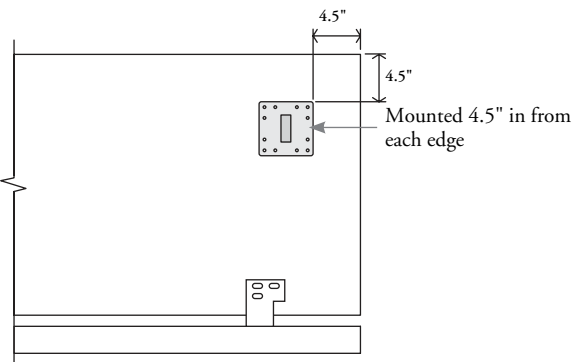
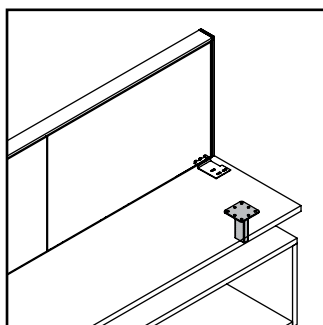
panel-mounted

- Can be used in panel-mounted applications to support the front of the worksurface
- Attaches the bottom of a worksurface to the top of a low credenza
- Does **not** add rigidity to the panel on its own; worksurface and storage supports must be specified at the 6", at 29" to give adequate support



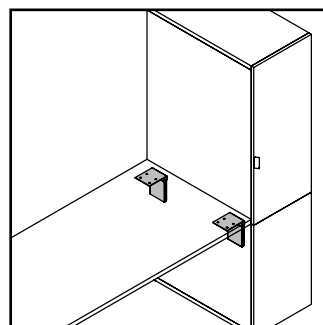
freestanding

- Can be used in freestanding applications to attach the bottom of a worksurface to the top of a low credenza
- Is available in a height-adjustable option



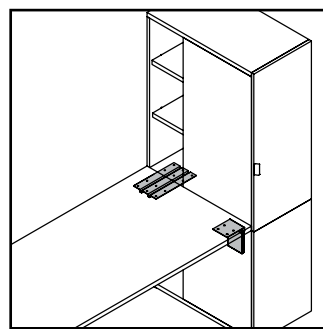
Mini Leg (UNCLN)

- Is an alternative support used to support the front of a worksurface over a low credenza in panel-mounted applications
- **Cannot** be used in freestanding desking applications because the support rests on top of the credenza without being fastened to it
- Is **not** height-adjustable



Worksurface-to-Tower Bracket Kit (UWBTBB) – (2 brackets) Height-Adjustable Worksurface-to-Tower Bracket Kit (UNBTHBB) – (2 brackets)

- When mounting worksurfaces to storage, two brackets are required for support
- **Cannot** be used with storage with cubbies

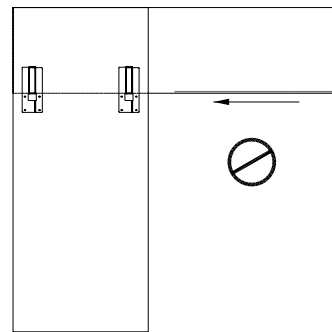
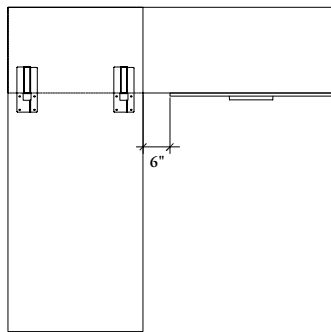
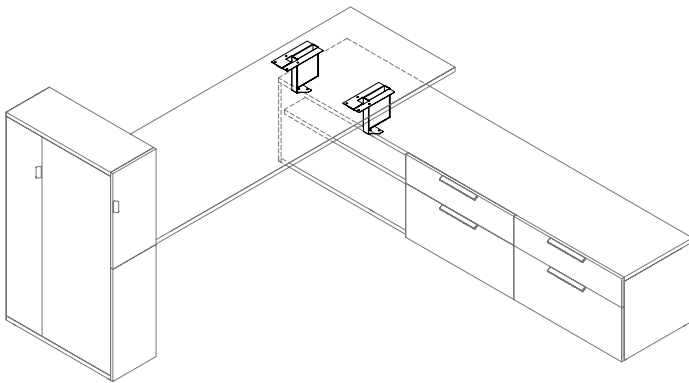


Worksurface-to-Tower Bracket Kit (UWBTBF) – (1 bracket, flush plate) Height-Adjustable Worksurface-to-Tower Bracket Kit (UNBTHBF) –

- When mounting worksurfaces to storage with cubbies, the option for bracket with flush plate must be selected – the flush plate attaches the worksurface to a shelf in the storage

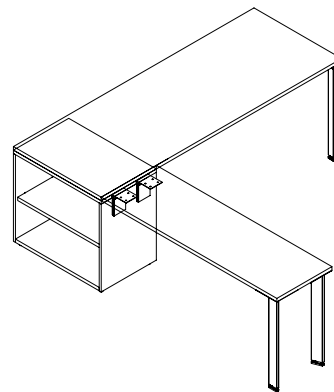
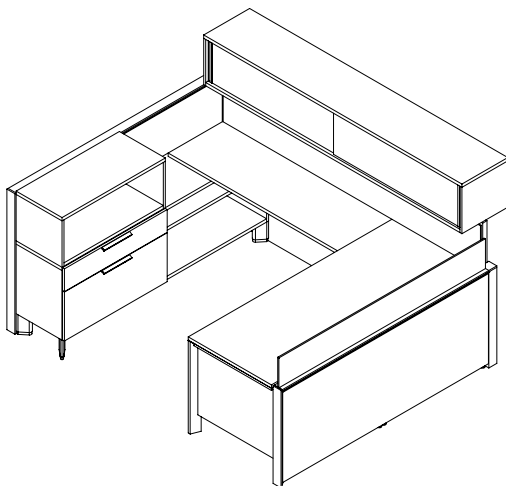
planning with worksurface to storage support (continued)

Reconfigurable Low Credenza-to-Worksurface Support (UWCPWN)



- The brackets are mounted towards the edges of the worksurface
- The open section of the storage below **cannot** be more than 6" wider than the worksurface to which it is attached to provide adequate support, therefore, a 24" deep worksurface **cannot** mount to the 36" wide open cubby of a 72", 84" or 96" wide credenza; the width difference is more than 6"

The sliding door credenza **cannot** be used with the reconfigurable low credenza-to-worksurface support because the track obstructs mounting

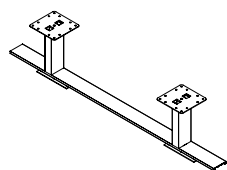
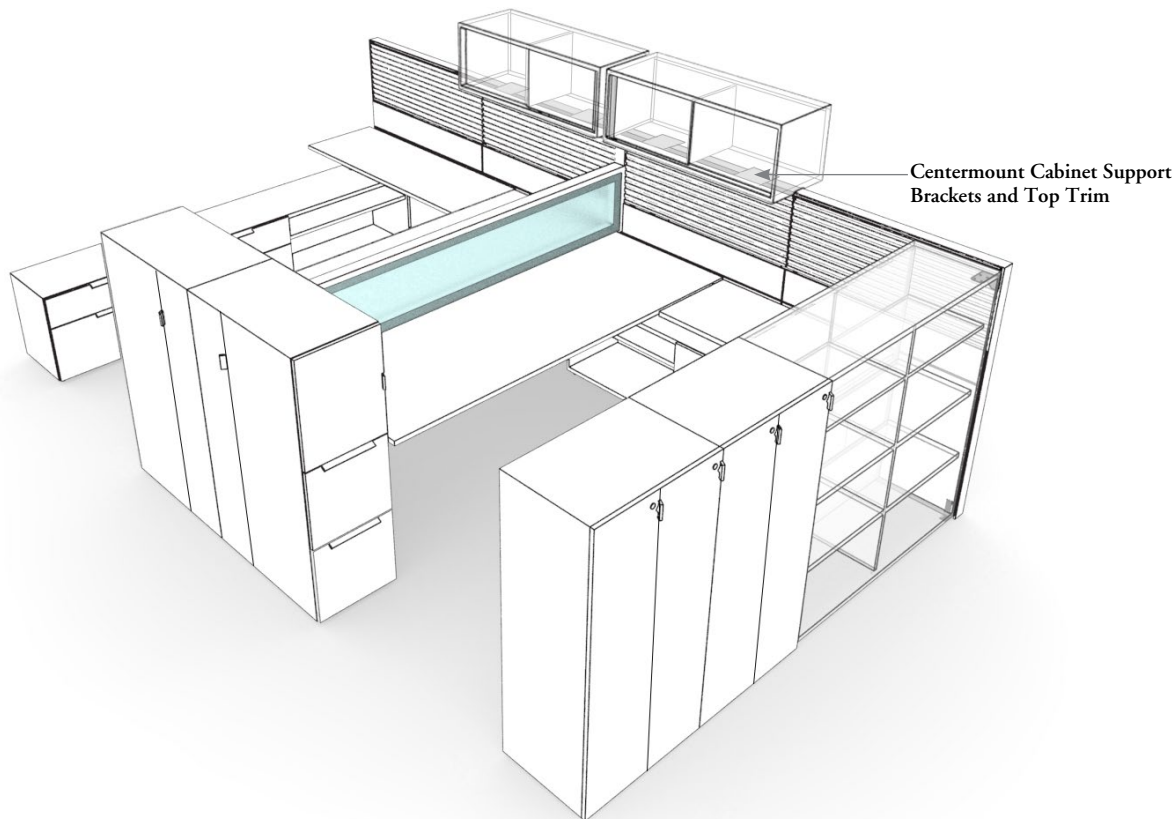


- When a high credenza or storage unit is mounted below a worksurface, it does not allow room for a Worksurface Panel Wall Bracket (UNBP) in the same location, therefore, in panel mounted applications (particularly when overhead storage is used) proper panel support is required
- The storage is attached to the underside of the worksurface, the worksurface is attached to the panel as closely as possible to the storage with the Worksurface Panel Wall Bracket (UNBP), and the storage is mounted to the panel with the Storage-to-Panel Bracket (UWSPB). If a return panel is used, the Storage-to-Panel Bracket (UWSPB) is not required, the return panel will support the spine. The storage needs to be attached to the worksurface only

- High storage, mounted to the underside of a worksurface will obstruct the ability to flush plate a return worksurface to the primary worksurface
- In this application the Worksurface-to-Tower Bracket Kit (UWBT), must be used, to mount the return worksurface to the side of the storage, and then the storage is attached to the bottom of the primary worksurface

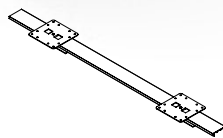
storage-to-panel support basics

The following outlines the features the supports that connect storage-to-panels.



Centermount Cabinet Support Posts & Top Trim (UNOPT)

- Used to support upmount cabinets on-module
- Include the top trim and posts, so replaces a standard top trim
- Available 9" high or 13" high posts and 30"- 60" wide
- To maintain District datum heights it is recommended on a panel 42" high use a 9" post and a 15" cabinet for 66" high datum, and on a panel 29" high use 13" post and a 9" cabinet for a 51" high datum

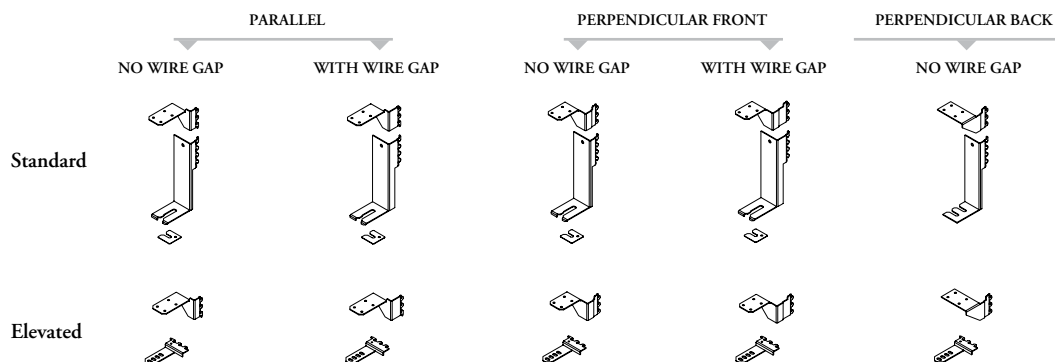


Centermount Cabinet Support Brackets & Top Trim (UNOBT)

- Similar to Centermount Cabinet Support Posts & Top Trim (UNOPT) except that there are no posts
- Are available from 30" - 96" wide

Storage-to-Panel Bracket (UWSPB)

- Attaches to the back or side of a storage component and mounts into the vertical channel of a District panel, to provide support to a panel wall
- Options are available for parallel and perpendicular mounting at either the front or back of the cabinet, and for elevated and standard credenza heights
- Available with wire gap options
- Must be specified left or right handed, handedness being determined by the side of the panel to which storage is attached



selecting the correct storage-to-panel bracket

All storage units attach to panels with either parallel, perpendicular front or perpendicular back brackets. The following outlines each option, and which cabinets use each individual option.

parallel mounting

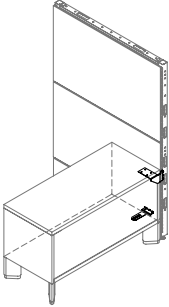
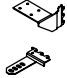
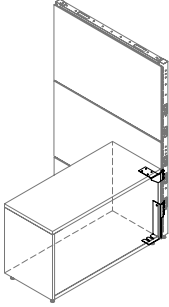

		<ul style="list-style-type: none"> • 3/8" offset (no gap) Elevated Storage 	<ul style="list-style-type: none"> • Used on storage with a closed back that fits flush or parallel to a panel wall • Bracket will attach to the storage unit through the slot located on the back of the unit • Available with 3/8" offset when no gap is required between the storage and panel wall, and 1" offset when a gap is required • Available for elevated and standard storage heights • Bracket fits into the vertical slots of the District panel wall • Handedness is determined by the side of the panel when facing it onto which the storage is mounted <p>Parallel mounting is used on the following storage units: UBKE, UBKS, UFLS, UKC, UKD, UKQ, UTLE, UTLS, UTCE, UTCS, UPFD, UPSE, UPSS, UKSD, UTDD, UTDK all credenzas</p>
		<ul style="list-style-type: none"> • 1" offset (with gap) Elevated Storage 	
		<ul style="list-style-type: none"> • 3/8" offset (no gap) Standard Storage 	
		<ul style="list-style-type: none"> • 1" offset (with gap) Standard Storage 	

perpendicular mounting, front

		<ul style="list-style-type: none"> • 3/8" offset (no gap) Elevated Storage 	<ul style="list-style-type: none"> • Used when bracket is being attached to the inside of an open cubby space (not through a slot in the back). This mounting option is appropriate for units that have: <ul style="list-style-type: none"> - open section (open credenzas, bookcases, etc), - cubby back (single lockers, pedestals) and - door in the mounting location (dual lockers etc) • Available with 3/8" offset when no gap is required between the storage and panel wall, and 1" offset when a gap is required • Available for elevated and standard storage heights • Bracket fits into the vertical slots of the District panel wall • Handedness is determined by the side of the panel when facing it onto which the storage is mounted <p>Perpendicular mounting, front is used on the following storage units: UBKE, UBKS, UHHE, UHHS, UHOE, UHOS, UKD, ULHE, ULHS, ULOE, ULOS, UTCE, UTCS, UTDC, UTLE, UTLS</p>
		<ul style="list-style-type: none"> • 1" offset (with gap) Elevated Storage 	
		<ul style="list-style-type: none"> • 3/8" offset (no gap) Standard Storage 	
		<ul style="list-style-type: none"> • 1" offset (with gap) Standard Storage 	

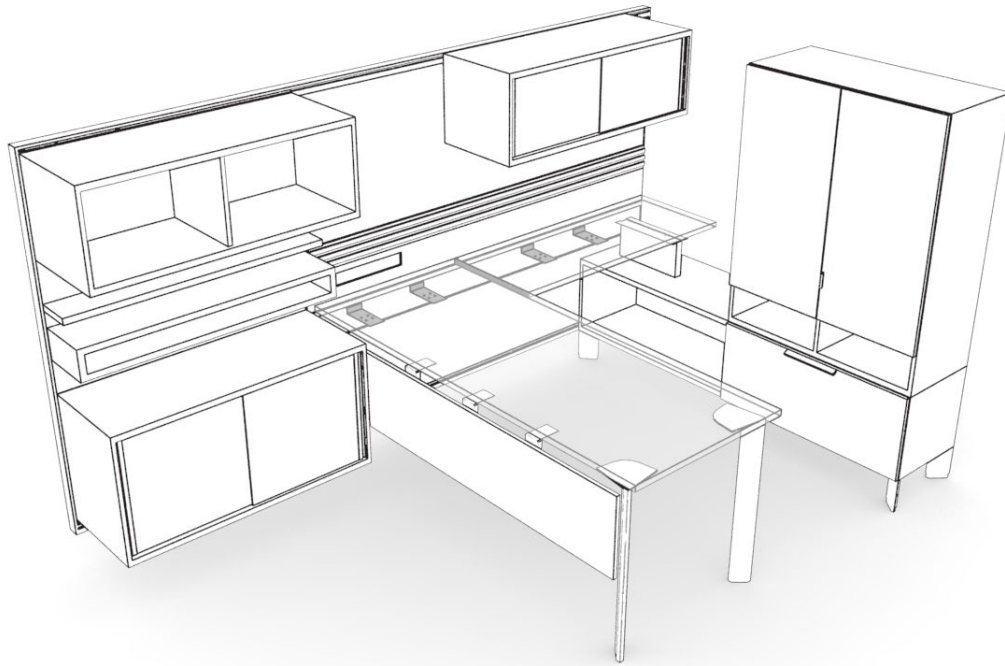
selecting the correct storage-to-panel bracket (continued)

perpendicular mounting, back

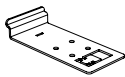
		<ul style="list-style-type: none"> • 3/8" offset (no gap) Elevated Storage 	<ul style="list-style-type: none"> • Used on storage that sits perpendicular to the panel but attachment is through the back of the storage unit through the slots • Available with 3/8" offset only (no gap) • Available for flush and elevated configurations • Bracket fits into the vertical slots of the Leverage panel • Handedness is determined by the side of the panel when facing it onto which the storage is mounted
		<ul style="list-style-type: none"> • 3/8" offset (no gap) Standard Storage 	<p>Perpendicular mounting, back is used on the following storage units: UBKE, UBKS, UFLS, UKD, UKQ, UPSE, UPSS, UTCE, UTCS, UTLE, UTLS all credenzas</p>

worksurface supports W/R/S basics

The following components are specific to mounting worksurfaces to W/R/S.



261



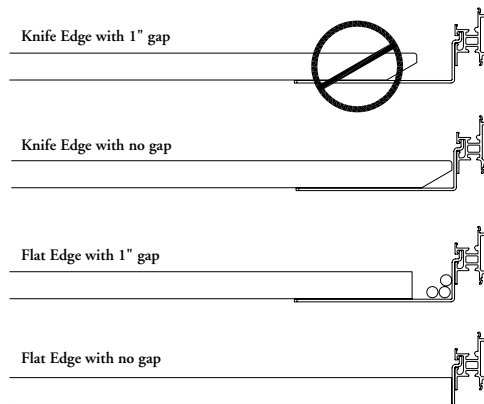
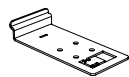
Mounted Worksurface Brackets (CVWB)

- Off-module connectors that attach a worksurface to the W/R/S
- Mounted into the 29" high horizontal rail and can be connected at any point along the width of the worksurface
- Must be specified every 48" minimum
- **Not** height-adjustable
- Modesty panels and wire management channels can be mounted to worksurfaces suspended from the W/R/S – the same planning restrictions apply whether mounted to panel walls or the W/R/S
- Clear anodized finish

planning with W/R/S supports

The following should be taken into consideration when planning with W/R/S supports.

- All planning rules for Reinforcement Channels apply to the W/R/S.

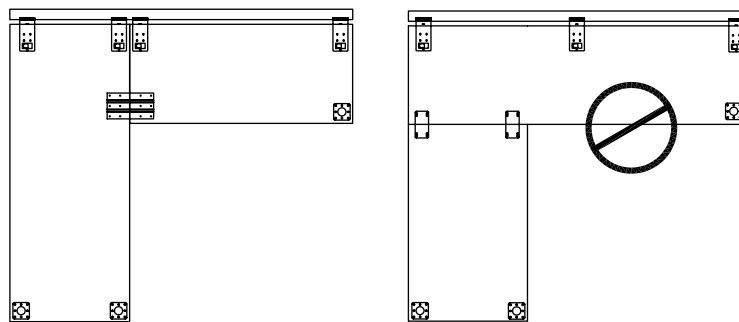
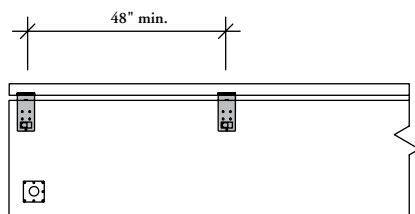


The Mounted Worksurface Bracket can be adjusted so it can be used in two ways:

- 1) With a Wire Pass Through option, which creates a 1" gap between the W/R/S and the worksurface for wire management (if a knife edge is specified, the positioning device **cannot** be used, the worksurface will have to be positioned manually)

or

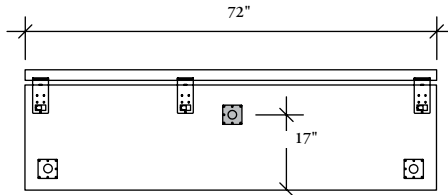
- 2) With No Wire Pass Through option, which creates only a 1/8" gap between the W/R/S and the worksurface therefore, **not** allowing wire management



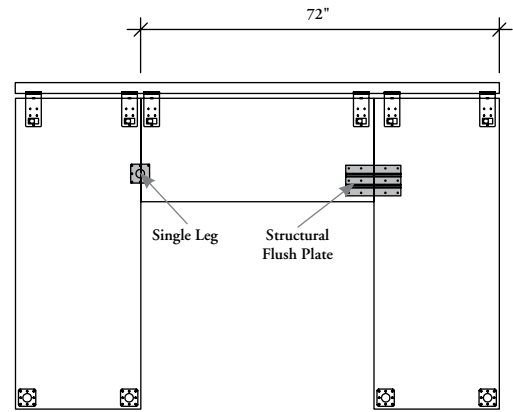
- Mounted Worksurface Brackets are required along the worksurface length at every 48"
- Brackets are ordered as a package depending on the length of the worksurface specified
 - e.g., worksurface from 18" - 36" wide requires a package of two brackets
 - worksurface from 37" - 96" wide requires a package of three brackets

All worksurfaces must be attached to the W/R/S, they **cannot** be suspended from another worksurface that is attached to W/R/S

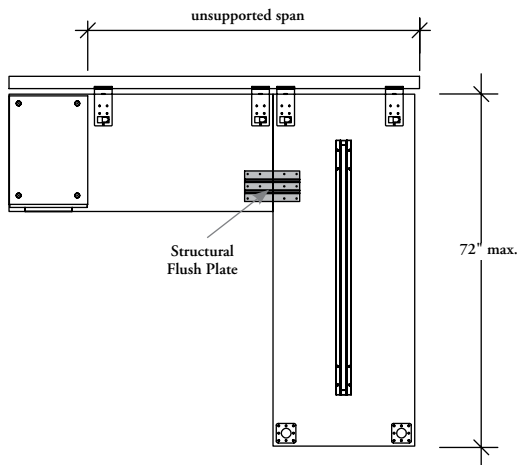
planning with W/R/S supports (continued)



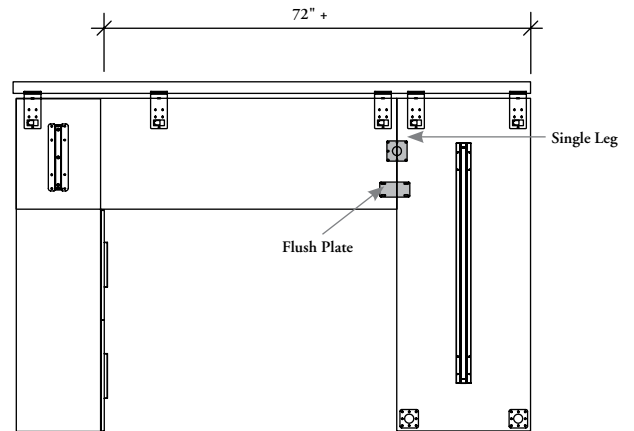
- Secondary floor support is required for worksurface spans over 72" wide
- Can be provided by the Single Leg (UNLGN) installed 17" from the front of the worksurface



- Can be provided by a combination of the Single Leg (UNLGN) and the Structural Flush Plate (UNRFS)



- When storage is used to support the worksurface, the unsupported distance is calculated from the end of the storage to the end of the worksurface (**not** the overall length of the worksurface)
- If this length does **not** exceed 72", only the Structural Flush Plate (UNRFS) is required for additional support

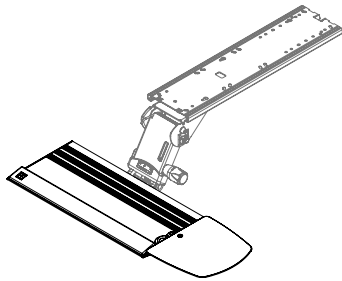


- When the unsupported distance from the end of the storage support still exceeds 72" wide, an additional Single Leg (UNLGN) will be required shared between the two worksurfaces – a Flush Plate (UNRF) is recommended for additional alignment when deeper worksurfaces are used

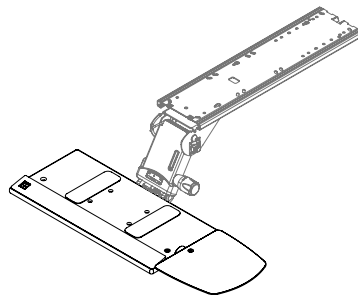
planning with keyboard trays

The following keyboard trays and components can be used on District worksurfaces with Reinforcement Channels.

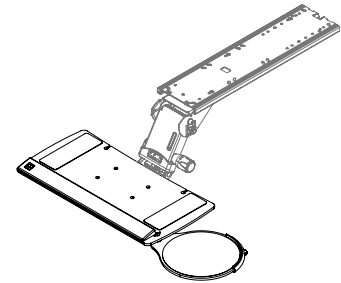
- When mounting a keyboard tray to worksurfaces where a support is located, certain conditions apply, consult Complements: *Teknion's Ergonomics & Accessories Program* for details and Application Matrices
- When the unsupported worksurface span is 48" or less, no reinforcement channels are required thus facilitating keyboard tray installation



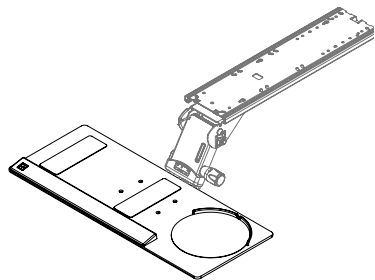
Tiers "T1" Aluminum Complete Keyboard Solution (YKT1)



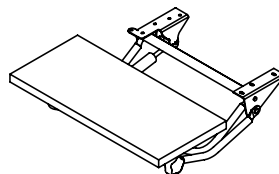
Tiers "T2" HDPE Complete Keyboard Solution (YKT2)



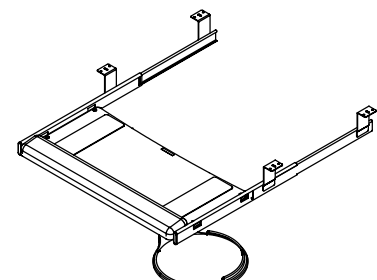
Tiers "T3" Small Phenolic Complete Keyboard Solution (YKT3)



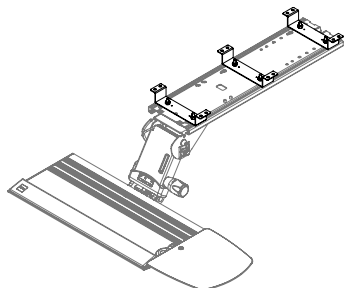
Tiers "T4" Large Phenolic Complete Keyboard Solution (YKT4)



Rectangular Keyboard Tray (YKKW)



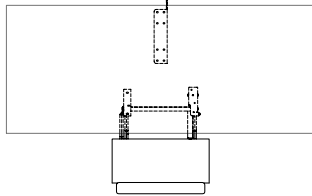
Retractable Keyboard Tray (YKRT)



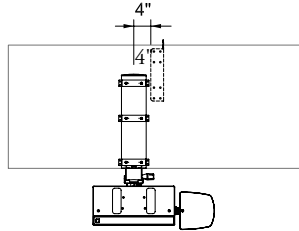
Accessories Offset Mount (YKMT-150)

planning with keyboard trays (continued)

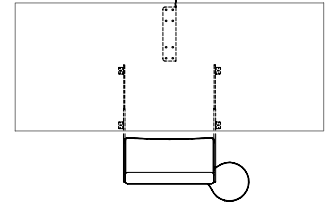
compatibility with cantilevers



Rectangular Keyboard Tray (YKKW)
Fits on worksurface depths 24", 30", 36" and must sit 4" from cantilever

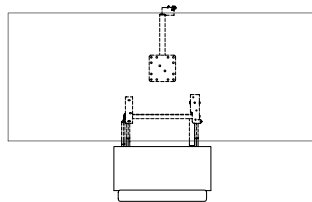


Accessories Offset Mount (YKMT-150)
Compatible with worksurface depths 24", 30", 36"

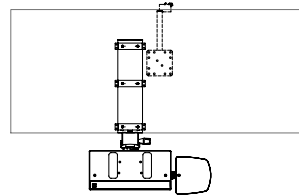


Retractable Keyboard Tray (YKRT)
Fits on worksurface depths 24" & 30"

worksurfaces supported by a mid-gable

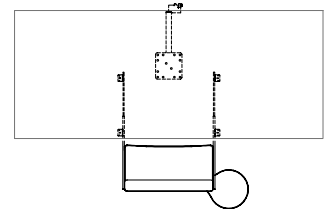


Rectangular Keyboard Tray (YKKW)
Compatible with all worksurface depths when the proper mid gable depth is specified



Accessories Offset Mount (YKMT-150)

- Fits on worksurface depths 30" & 36"
- Fits on 24" worksurface if keyboard tray handle does **not** interfere with half gable



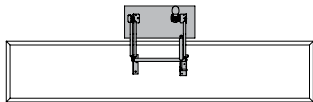
Retractable Keyboard Tray (YKRT)
Fits on worksurface depths 24", 30", 36"

planning with keyboard trays (continued)

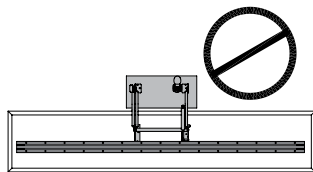
The following charts outline keyboard compatibility with reinforcement channels.

Keyboard Tray (YKKW) used on rectangular worksurfaces

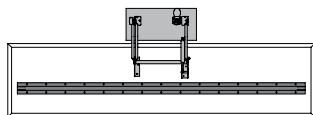
10.5" is required to the first reinforcement channel



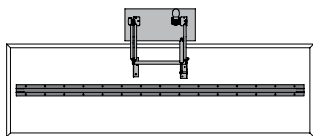
20" deep Rectangular Worksurface without Worksurface Reinforcement Channels



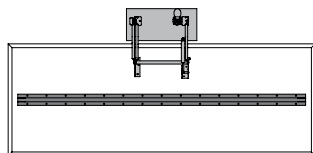
20" deep Rectangular Worksurface with Worksurface Reinforcement Channels



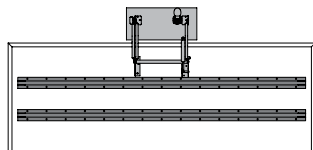
24" deep Rectangular Worksurface with one Worksurface Reinforcement Channel



30" deep Rectangular Worksurface with one Worksurface Reinforcement Channel



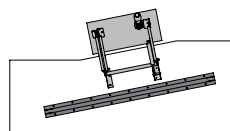
36" deep Rectangular Worksurface with one Reinforcement Channels



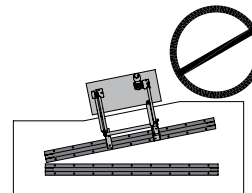
36" deep Rectangular Worksurface with two Reinforcement Channels

Keyboard Tray (YKKW) used on angled worksurfaces

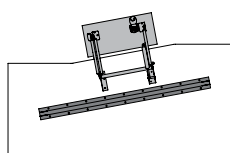
Can be used on Wedge, Extended Wedge and Wing Worksurfaces



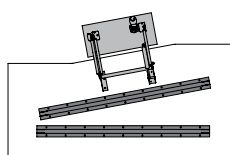
24" - 30" deep Transition Worksurface with one Worksurface Reinforcement Channel



24" - 30" deep Transition Worksurface with two Worksurface Reinforcement Channels – keyboard tray **cannot** be installed here



30" - 36" deep Transition Worksurface with one Worksurface Reinforcement Channel



30" - 36" deep Transition Worksurface with two Worksurface Reinforcement Channels

planning with keyboard trays (continued)

The following charts outline keyboard compatibility.

Keyboard Tray (YKRT) used on Rectangular Worksurfaces (UNWR)

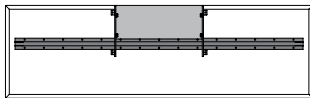
- Can be used with all worksurface depths regardless of the need for Worksurface Reinforcement Channels
- The brackets extend over the Worksurface Reinforcement Channels



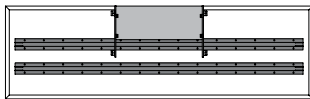
20" deep Rectangular Worksurface with one Worksurface Reinforcement Channel



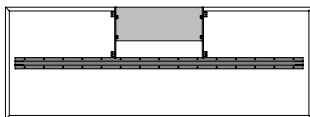
24" deep Rectangular Worksurface with one Worksurface Reinforcement Channel



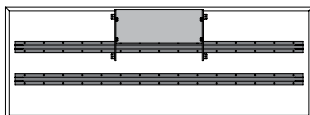
30" deep Rectangular Worksurface with one Worksurface Reinforcement Channel



30" deep Rectangular Worksurface with two Worksurface Reinforcement Channels



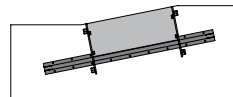
36" deep Rectangular Worksurface with one Worksurface Reinforcement Channel



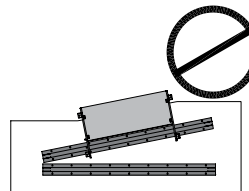
36" deep Rectangular Worksurface with two Worksurface Reinforcement Channels

Keyboard Tray (YKRT) used on Transition Worksurface (UNWT)

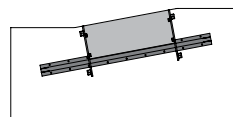
Can be used on Wedge, Extended Wedge and Wing Worksurfaces



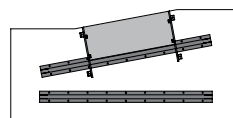
24" - 30" Deep Transition Worksurface with one Worksurface Reinforcement Channel



24" - 30" deep Transition Worksurface with two Worksurface Reinforcement Channels – keyboard tray **cannot** be installed here



30" - 36" deep Transition Worksurface with one Worksurface Reinforcement Channel



30" - 36" deep Transition Worksurface with two Worksurface Reinforcement Channels

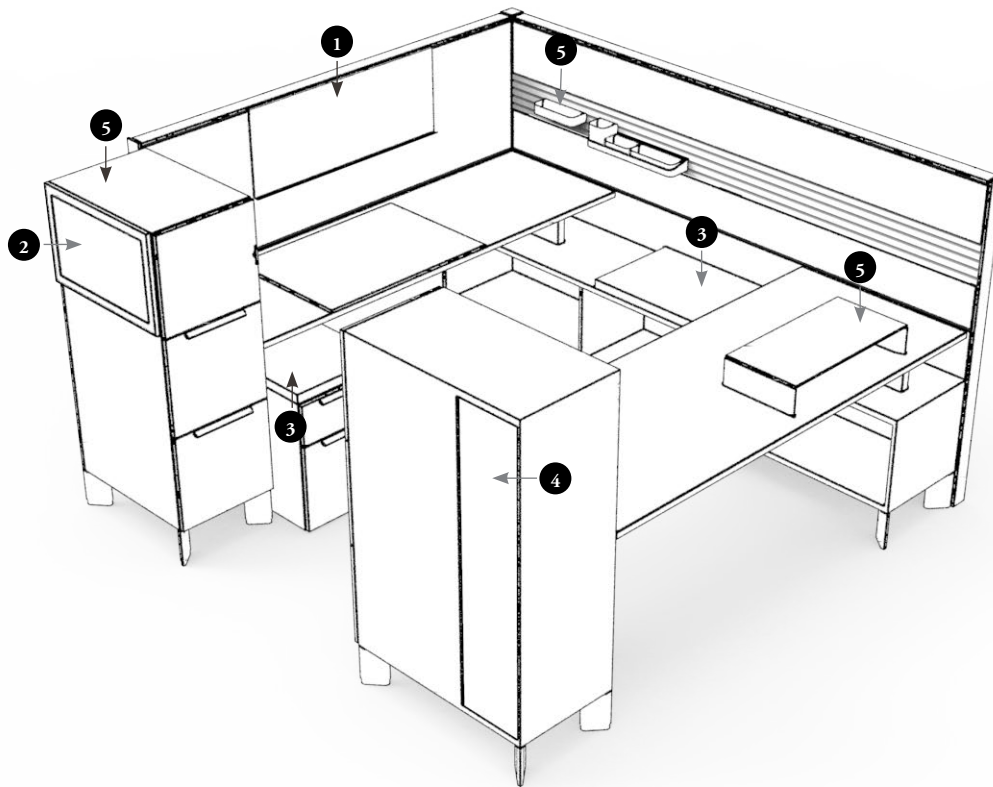
accessories

accessories

UNDERSTANDING ACCESSORIES.	271
STORAGE MOUNTED FASCIA BASICS.	272
PLANNING WITH STORAGE MOUNTED FASCIAS	273
SCREEN & PANEL MOUNTED FASCIA BASICS	274
PLANNING WITH SCREEN-MOUNTED & PANEL-MOUNTED FASCIAS.	275
TOWER & LOCKER INFILL BASICS.	276
PLANNING WITH TOWER & LOCKER INFILLS	277
SEAT CUSHION BASICS.	278
COMPLEMENTS ACCESSORY BASICS	279

understanding accessories

A variety of accessories are available to enhance the functionality to District workstations.

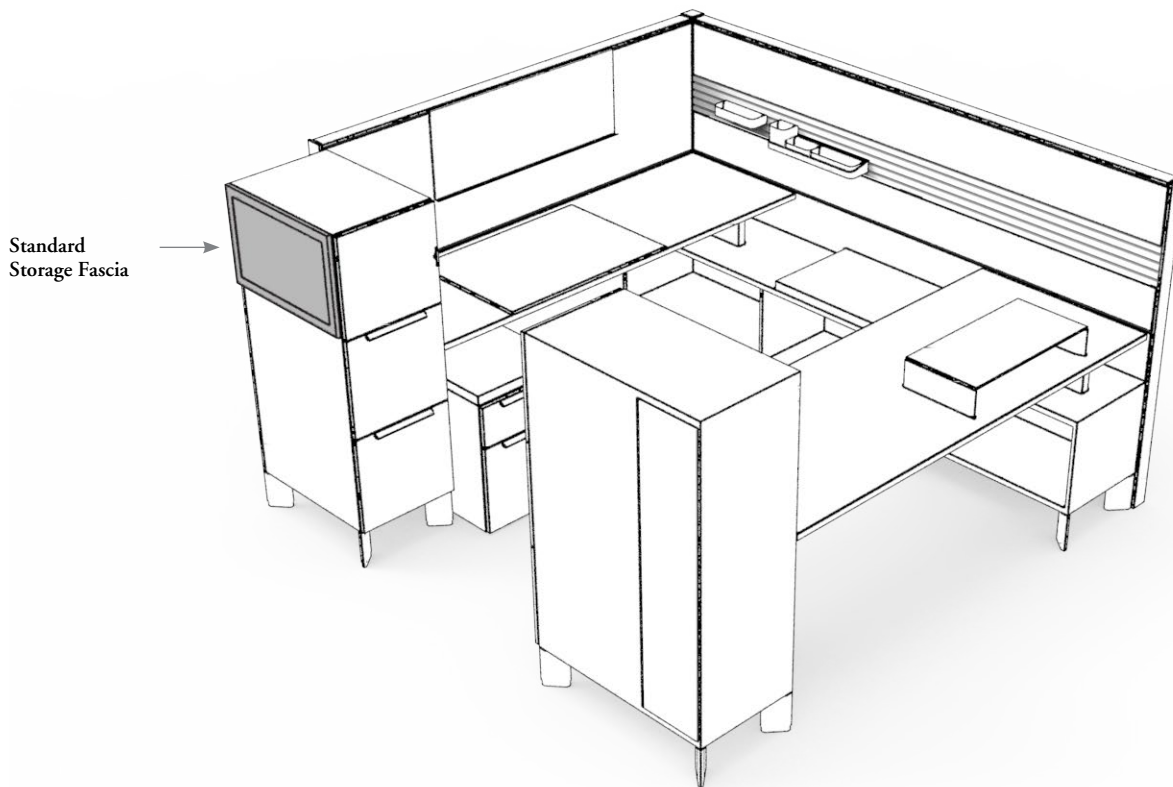


271

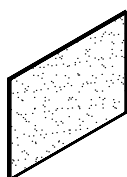
- 1 Screen- and Panel-Mounted Tackboards** provide additional functionality to screens and panel walls. The **Tackboard** provides a framed tackable surface and the whiteboard provides an erasable writing surface.
- 2 Tackable and Whiteboard Storage Fascias** are available for mounting to Standing Storage and Stacking Storage in heights that correspond with Elevated and Standard storage heights.
- 3 Seat cushions** provide additional guest seating in a workstation and are available for low credenzas or rolling pedestals.
- 4 Storage Infills** provide the ability to enclose and add functionality to open cubbies with options for solid whiteboard and tackboard depending on format.
- 5** The Teknion Complements program offers additional accessories such as desk pads, binder dividers organizing trays for storing smaller items, and Podium.

storage mounted fascia basics

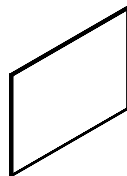
The following mounted fascias are available for use with Standing and Stacking Storage and for screen and Panel Wall mounting.



Standard Storage Fascia



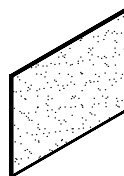
TACKABLE



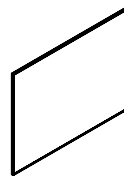
WHITEBOARD

Standing Storage Fascia (UNPSF)

- Mounts to storage units that are freestanding and **not** stacked onto other storage units
- Available in tackable and whiteboard finishes
- Can be mounted onto a single unit only, and **cannot** span across two units
- Available in heights from 12" to 60" in 1" increments and widths from 12" to 48" in 1" increments
- Whiteboard sizes are restricted to widths of 48"
- Can be mounted to the back or side of units
- Sizes are available to accommodate lockers with open cubbies at the back –the fascia will cover only the closed portion of the cabinet



TACKABLE



WHITEBOARD

Stacking Storage Fascia (UNPSS)

- Mounts to storage units that are stacked onto a credenza or other base unit
- Available in tackable and whiteboard finishes
- Can be mounted onto a single unit only and **cannot** span across two units
- Available in heights from 15" to 45" in 1" increments and width from 24" to 96" in 6" increments
- Whiteboard sizes are restricted to widths of 48"

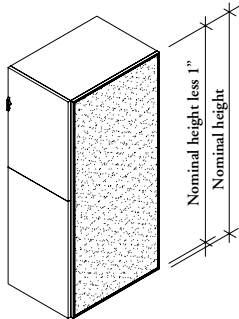
Finishes

- Frames are available in Clear Anodized and Espresso or Storm White paint finishes
- Brackets are Black
- All standard Teknion panel fabrics are available, however Architectural Fabrics are available on widths up to 48" only

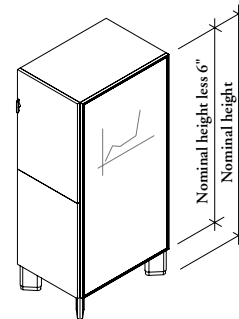
planning with storage mounted fascias

The following should be taken into consideration when planning with mounted fascias on standing and stacking storage.

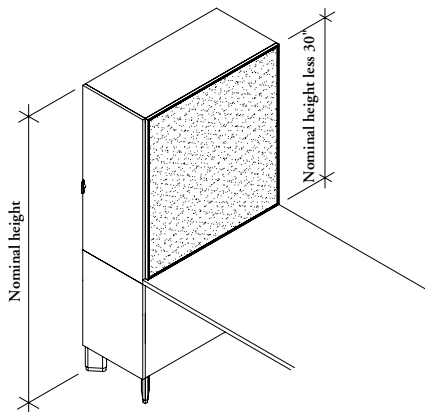
determining fascia sizes required for standing storage



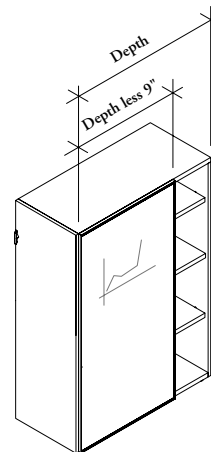
- For standard storage, the storage fascias must be ordered 1" shorter than the nominal height of the cabinet to allow for the gap at the base of all cabinets
- The width should match either the width or depth of the cabinet, depending on whether the fascia is being mounted to the back or side of the unit



- For elevated storage, the storage fascias must be ordered 6" shorter than the nominal height of the cabinet to allow for the ht. of the feet
- The width should match either the width or depth of the cabinet, depending on whether the fascia is being mounted to the back or side of the unit

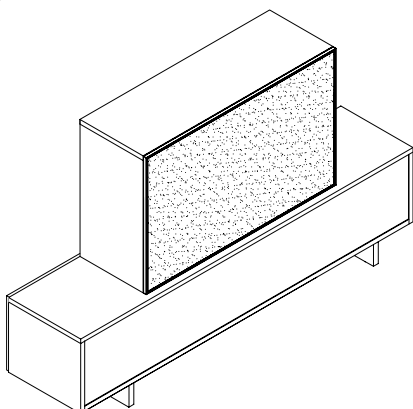


- For standard and elevated storage, where the storage fascia is required to be above the worksurface only, the tackable fascia must be ordered 30" shorter than the nominal height of the cabinet



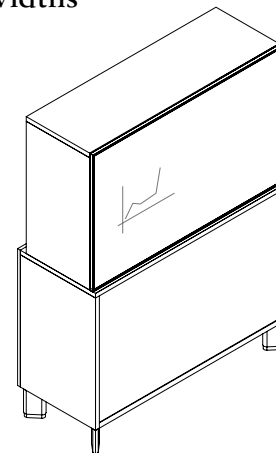
- For single lockers and pedestal towers with cubbies that are 29" and 35" deep and have an open section at the back, the storage fascia should be ordered 9" narrower than the overall depth of the cabinet

determining mounted fascias for stacking storage



- Mounted fascias for stacking storage are specified the same width and height as the stacking cabinet

whiteboard widths

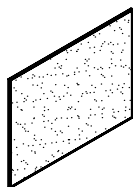
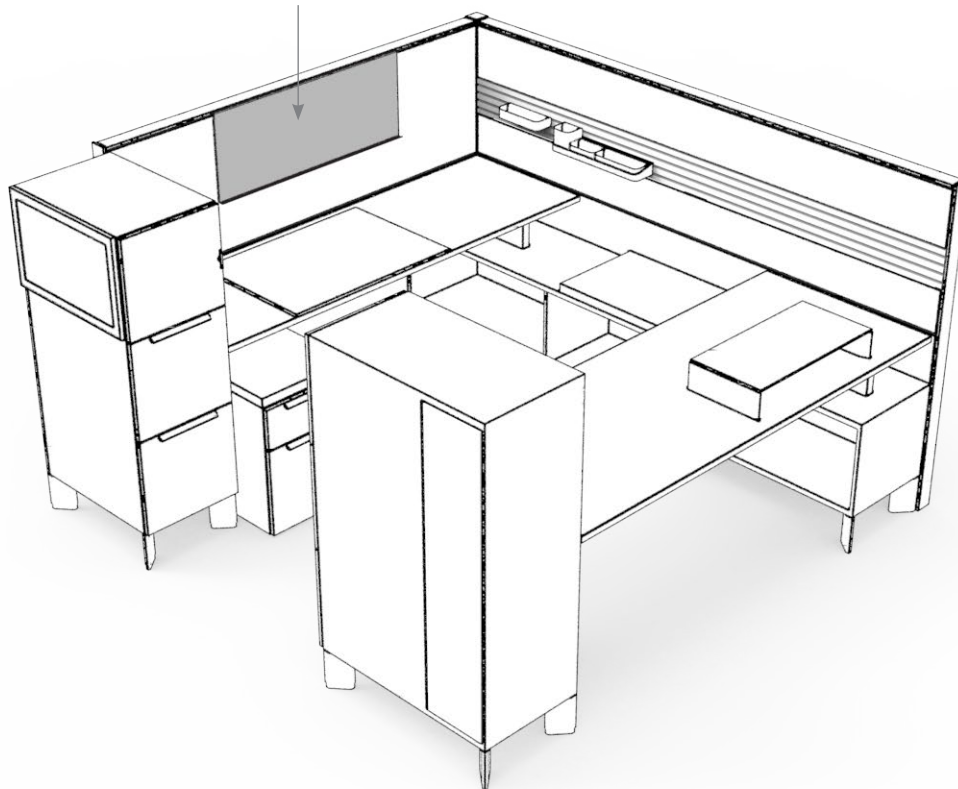


- Whiteboards widths are restricted to 48"

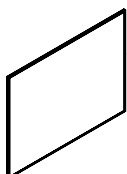
screen & panel mounted fascia basics

The following mounted fascias are available for use with Standing and Stacking Storage and for screen and Panel Wall mounting.

Tackboard – Panel Wall Mount



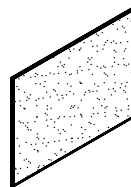
TACKBOARD



WHITEBOARD

Tackboard – Screen Mount (UNTBS) and Whiteboard – Screen Mount (UNTBW)

- Mounts to a floor desk-edge or storage screen
- Can be mounted on- or off-module and can be user relocated
- Covers the mounting rail of a floor screen, so mounting personal accessories **cannot** be used when the tackboard is used
- Available in heights of 13" and 22" to match above worksurface datum heights in
- Tackboards available in widths from 23" - 96" and the Whiteboard available from 23" - 48"
- Mounting brackets are available in the same finishes as the top rail on the floor screen
- Mounting brackets are available in the same finishes as the top rail on the floor screen



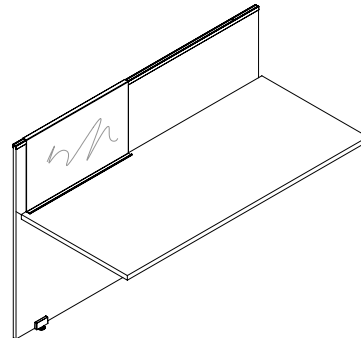
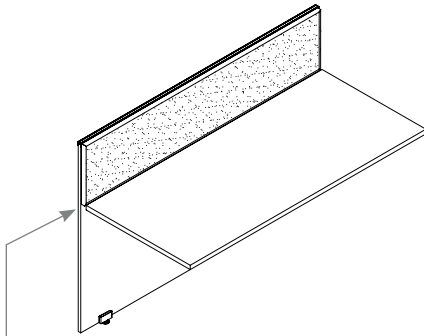
Tackboard – Panel Wall Mount (UNTBP)

- Mounts to the top rail of a panel wall to provide a panel-mounted tackboard
- Can be mounted anywhere along the panel wall and can be user relocated
- Available in heights of 13", 22" and 37" to match above worksurface datum heights and in widths from 23" to 96" in 1" increments

planning with screen-mounted & panel-mounted fascias

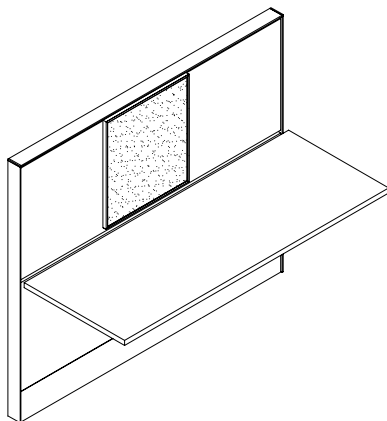
The following should be taken into consideration when planning with tackboards, screen mounted.

screen mount tackboard & whiteboard

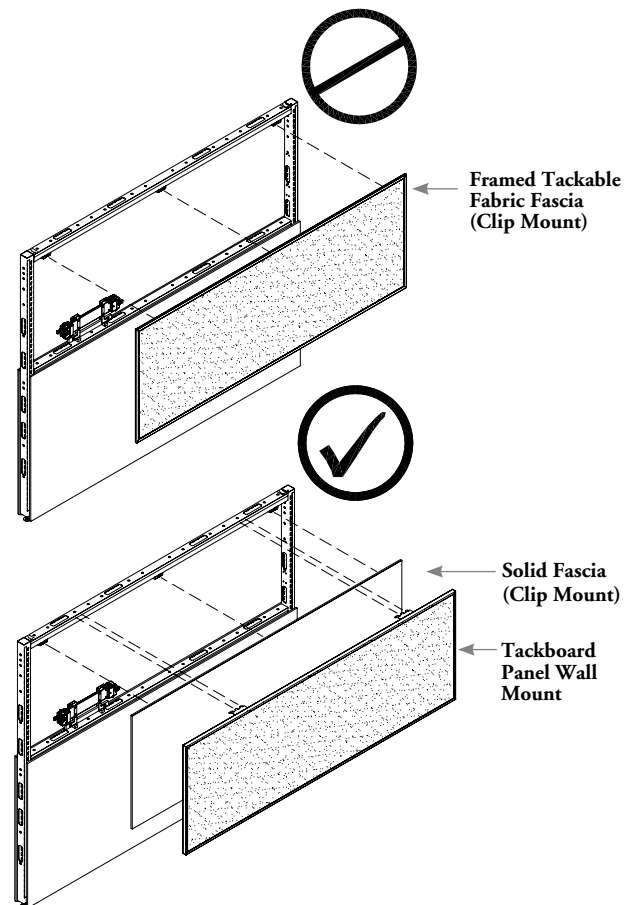


- Can be mounted on Floor Screens and Storage Screens
- Actual height will be 1" less than nominal height to allow clearance for cable management
- Nominal widths = actual widths, the tackboard will match that actual width of the screen
- **Cannot** be used with Casual Lateral Screens

panel-mounted tackboard



- The panel wall mounted tackboard is an ideal solution when planning with "D-Style" hard surface fascias and only a small area of tackboard is required
- The tackboard mounts onto the face of a hard surface fascia and can be any width, allowing for on- or off-module planning



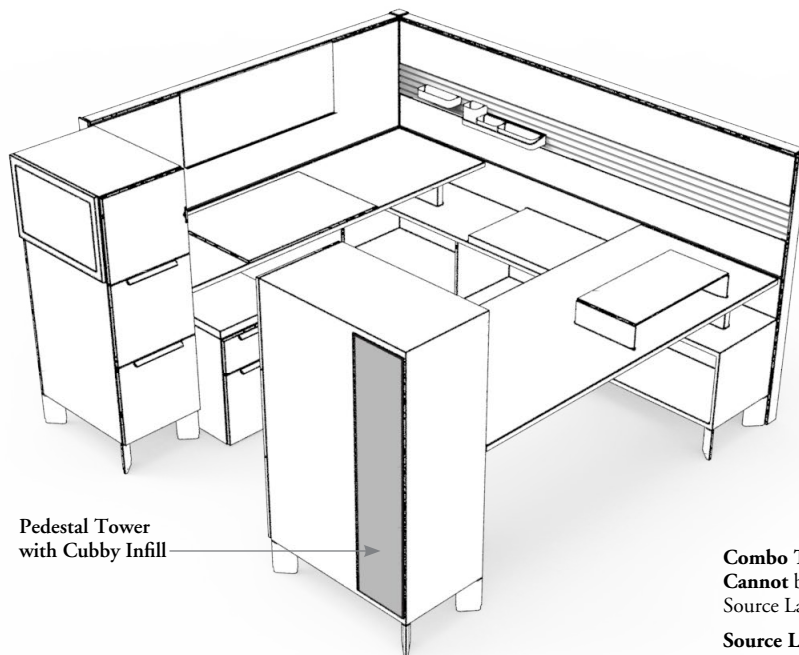
- Tackboard panel wall mount is ideal for use when a framed tackboard is required on the back side of a single-sided power application (a standard framed tackable fascia will **not** fit in this application, see Fascia section). The framed tackboard can mount onto a solid fascia, and maintain similar aesthetic to adjoining workstations

tower & locker infill basics

Infills are used with towers and lockers to convert open formats to fully enclosed and secure cabinets. The following outlines the features of each type.

lateral tower, combo tower, pedestal tower with cubby and single locker infills

- Mount into either Elevated or Standard height cabinets
- Available in heights of 36", 42", 51" and 66"
- Height and width is determined by the size of the cabinet, **not** the size of the opening into which it is mounting
- Solid finishes are available in Source Laminate, Seamless Color, Flintwood and Natural Veneer



Pedestal Tower with Cubby Infill

Combo Tower Infill (UTCXIS)

Cannot be used on Combo Tower with Source Laminate Case

Source Laminate Combo Tower Infill (UTCXIX)

Can only be used on Combo Tower with Source Laminate Case

Solid Outside

- A solid finish on the inside and outside to provide a closed back

Fabric Outside

- Provides a fabric tackboard on the outside of the cabinet; inside is a painted finish

Whiteboard Outside

- Provides a whiteboard on the outside of the cabinet; inside is a painted finish

Single Locker with Cubby Infill (UKSCIS)

- A solid finish on the inside and outside to provide a closed back

Pedestal Tower with Cubby Infill (UTDCIS)

- A solid finish on the inside and outside to provide a closed back

Lateral Tower Infill (UTLXIS)

- There is no 35" high elevated option

Solid Outside

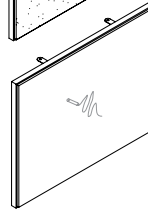
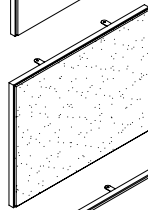
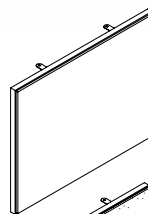
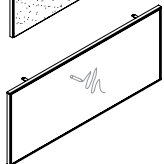
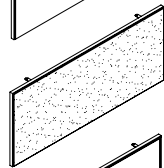
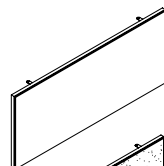
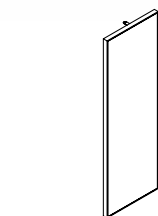
- A solid finish on the inside and outside to provide a closed back

Fabric Outside

- Provides a fabric tackboard on the outside of the cabinet; inside is a solid finish

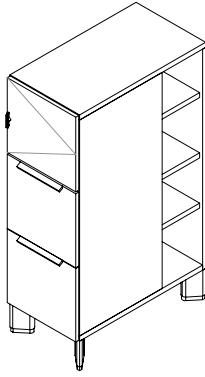
Whiteboard Outside

- Provides a whiteboard on the outside of the cabinet; inside is a solid finish

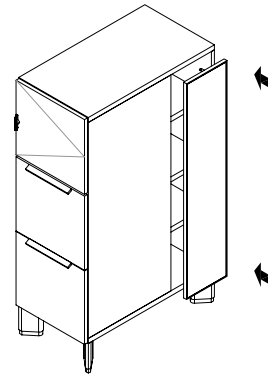


planning with tower & locker infills

The following should be considered when planning with infills



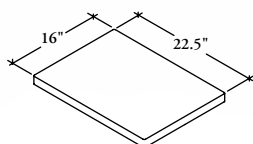
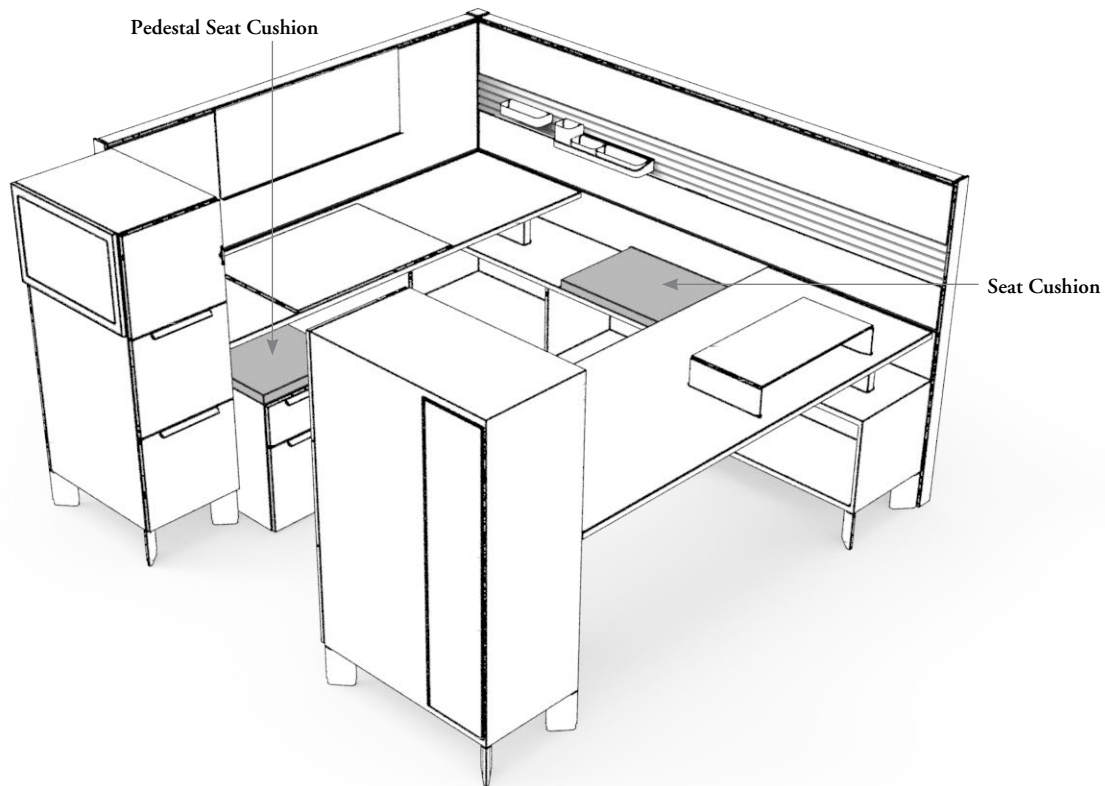
- All towers and lockers that accommodate infills are handed; handedness being determined by the hinge location of the storage section
- The cubby shelf is inset on the same side to accommodate the infill
- On 36" high cabinets with no storage section, the unit is still considered handed because of the shelf inset



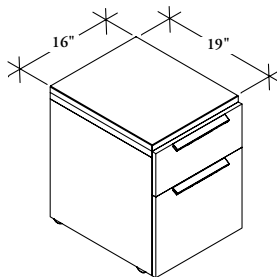
- When specifying the infills the size is determined by the actual size of the cabinet it is being used on, **not** the size of the opening

seat cushion basics

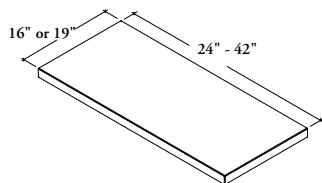
The following options are available for District seat cushions.



CREDENZA



PEDESTAL



CREDENZA

Seat Cushion (UWLC)

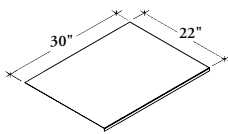
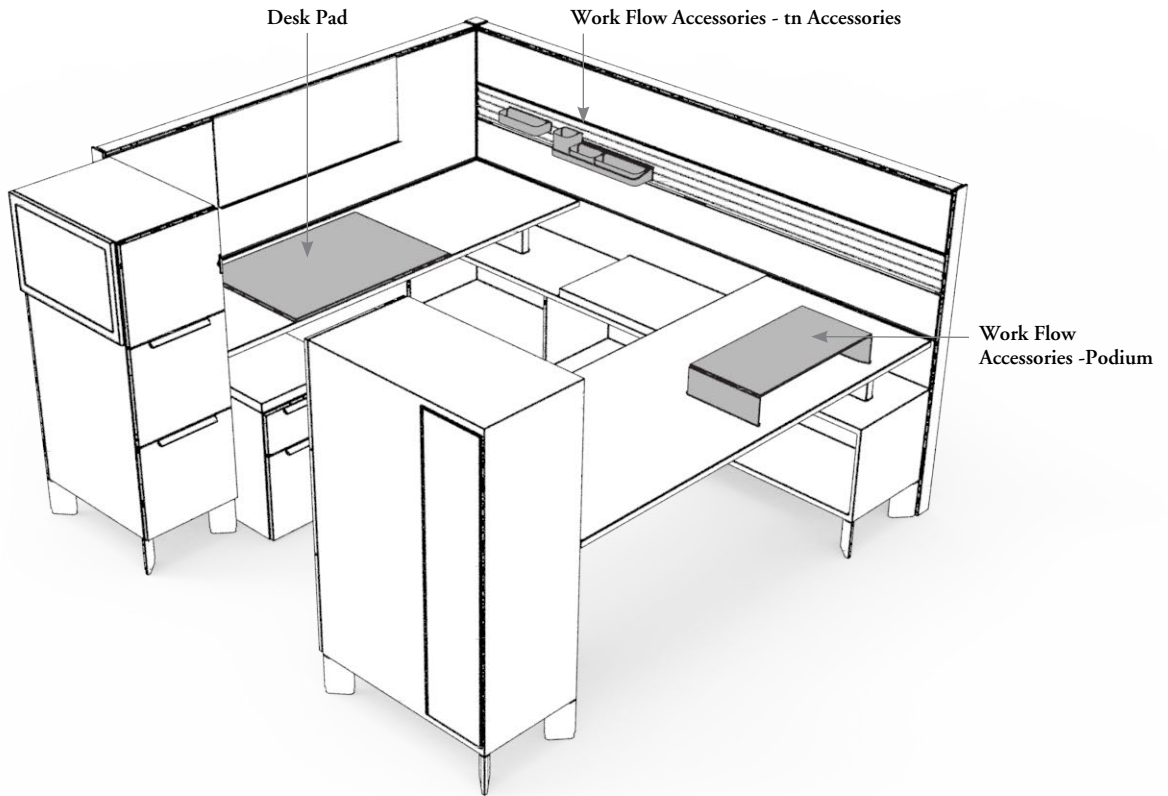
- Provides space saving casual guest seating in a workstation
- Available in two options:
 - C - used on low credenzas (placed upon but **not** affixed)
 - R - mounted onto rolling pedestals only
- Can be specified on the Rolling Pedestal (UPR) at the time of order, or can be ordered separately and retrofitted onto an existing Rolling Pedestal
- The credenza option is sized to be used on 16" and 19" deep credenzas
- Available in all of Teknion's standard Seating fabrics

Fitted Seat Cushion (UWLF)

- Sized to fit precisely onto credenza tops
- Match depths of credenzas and the widths match drawer widths of credenzas
- Available in all Teknion standard seating fabrics except leather

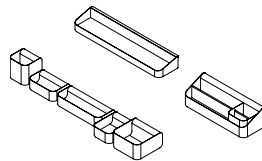
complements accessory basics

Teknion's Ergonomics & Accessories program, Complements, offers a number of accessories that are designed for use with District.



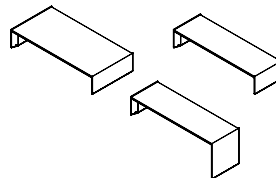
Desk Pad (YPDP)

- Lays onto any thickness of worksurface with a flat or knife edge style without tools
- Can span the corner between two worksurfaces to create a conventional angled computer corner
- Includes an integral cable management retainer for easy laptop plug in



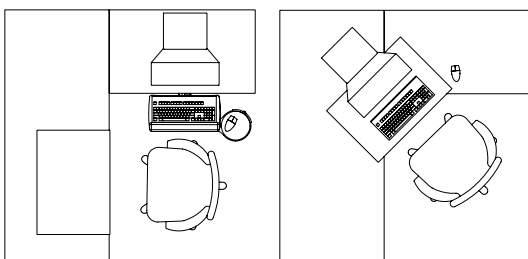
tn Accessories

- A series of Desktop and Freestanding Storage items that complement any workspace.



Podium

- A collection of shelves & accessories to organize laptops, flat screen monitors, and multiple hand-held electronic peripherals



- The desk pad is typically used on the primary worksurface, however it can also span across the corner of two worksurfaces to create a conventional angled computer corner – the steel inner construction provides the stability required to support a keyboard tray – **cannot** be used if the two surfaces are at different heights

electrics

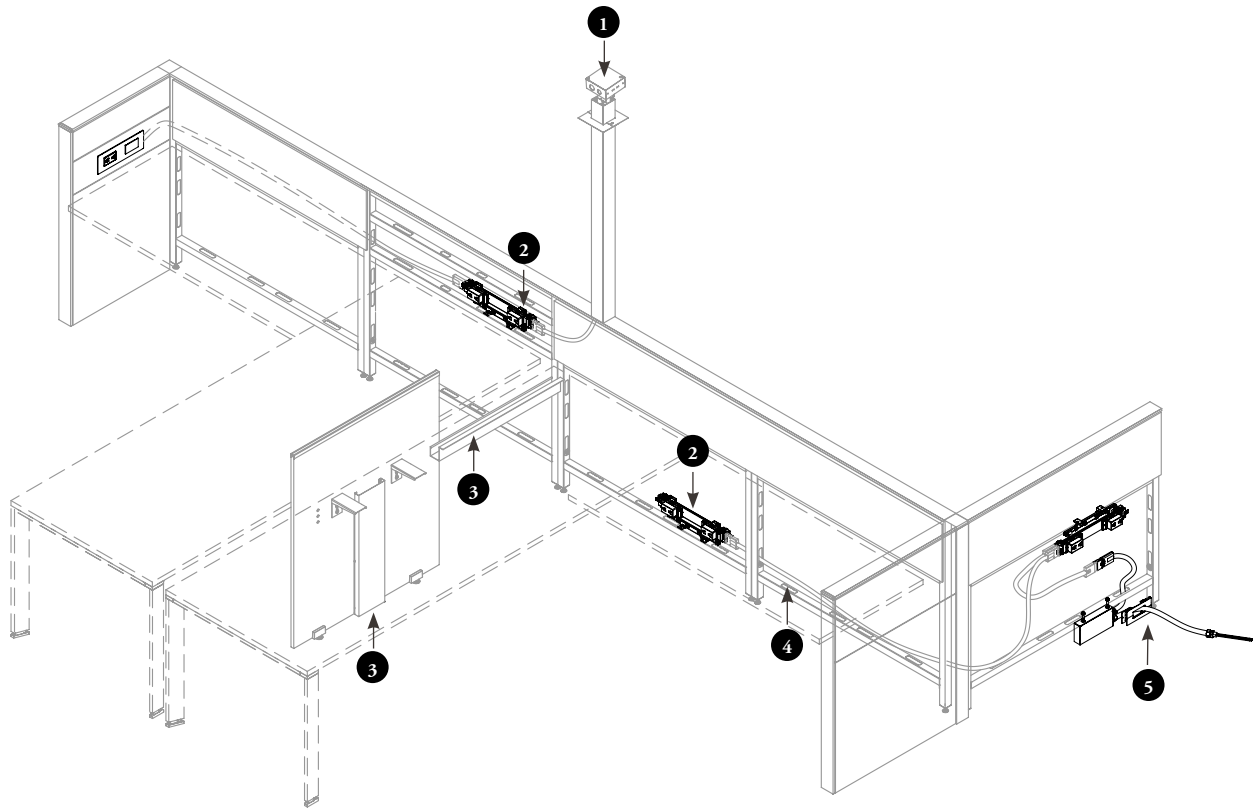
electrics

ELECTRICS & COMMUNICATIONS OVERVIEW	282
POWER ENTRY BASICS – PANEL-MOUNTED WORKSTATIONS.	285
PLANNING WITH POWER POLES	284
POWER & COMMUNICATIONS BASICS – PANEL-MOUNTED WORKSTATIONS.	285
PLANNING WITH POWER BOXES & OUTLETS.	286
WIRING SYSTEMS.	288
POWER DISTRIBUTION BASICS – PANEL-MOUNTED WORKSTATIONS.	289
PLANNING WITH HARNESES	290
DETERMINING HARNESES LENGTHS	291
CASUAL ELECTRICS BASICS – PANEL-MOUNTED WORKSTATIONS.	292
STORAGE ELECTRICS BASICS	293
PLANNING WITH STORAGE	296
POWER CONSERVATION SYSTEM BASICS.	299
PLANNING WITH POWER CONSERVATION SYSTEM	300

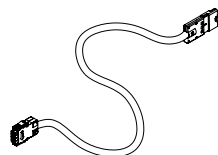
electrics & communications overview

District offers a non-directional wiring system that allows for maximum flexibility and simple reconfiguration.

Power must be turned off during all installations and reconfigurations.



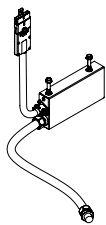
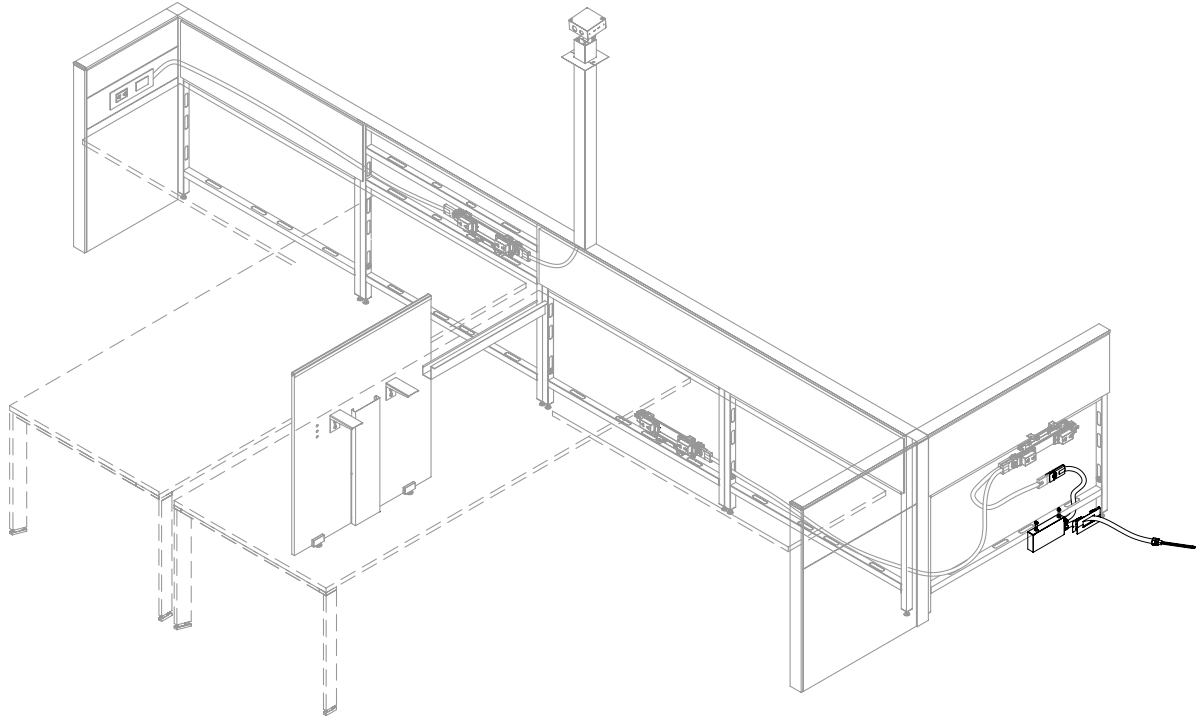
- 1 Power is provided to workstations by either a power pole or through a base feed.
- 2 Power boxes can be mounted above or below worksurface height.
- 3 When panels are **not** available for routing cables, casual wire management is available.
- 4 Power is distributed by harnesses connected by power boxes – the power box can accommodate up to four outlets, two on either side of the box, and the power can run in either direction from the box.
- 5 Power is provided to workstations by either a power pole or through a base feed.



- A compatibility harness is available to connect the new style of power with the previous version of District electrics

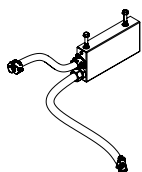
power entry basics – panel-mounted workstations

Power and communications cables enter a workstation either through a base feed or a ceiling feed. The options are detailed below. The following outlines the features of the electrical and communication components available for use in District panel environments.



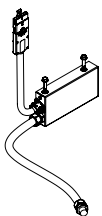
Base Feed (UNQBFR)

- A hard wired connection that supplies power into a panel from the building power source
- Both base feeds and harnesses can be used in the same panel
- Available in 8T, 7T, 8K and 7K wiring options to allow for most common Teknion wiring configurations
- Available in options for mounting into either solid fascias or metal or fabric fascias
- Available in a PVC free option
- If a base feed kit is mounted onto an elevated panel, it will be below the rail, therefore will be exposed.



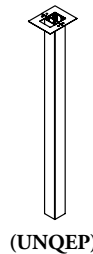
Chicago Base Feed (UNQBFRCH)

- Provides the conduit only for Chicago electricians wiring restrictions that require that all wiring and connections be supplied and connected by a licensed electrician
- Supplied with three wires for a single circuit only
- Available 72" long only
- Box painted Platinum



Split Base Feed (UNQBFSR)

- Same as the base feed except that it is hard wired to the building power supply in two places for New York City wiring restrictions
- Accommodates hard wiring within the floor monument and in the wiring junction box
- Box painted Platinum



(UNQEP)



(UNQEPR)

Power Pole (UNQEP) & End of Run Power Pole (UNQEPR)

- Used to house the ceiling feed and includes a pole divider for separating the ceiling power feed from the communications and data cables
- Available in 48", 72" and 96" heights for up to 10' ceilings
- Available in options for corner mounting and off-module mounting
- End of Run Power Pole (UNQEPR) **cannot** be installed off-module or on a corner



Ceiling Feed (UNQCFR)

- Routes power into the panel from the ceiling through the power pole
- Includes a junction box to connect to the building power supply at the ceiling
- Also connects to a power harness
- Available in 8T, 7T, 8K and 7K wiring options to allow for most common Teknion wiring configurations
- Length of the feed represents the length of the harness encased in flexible conduit – an additional 6" of cable is provided for connection the ceiling junction box

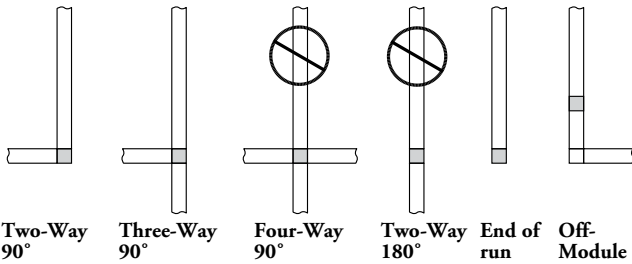


Chicago Ceiling Feed (UNQCFRCH)

- Same as ceiling feed except that there is no connector on the bottom end due to Chicago electricians wiring restrictions
- Supplied with three wires for a single circuit only

planning with power poles

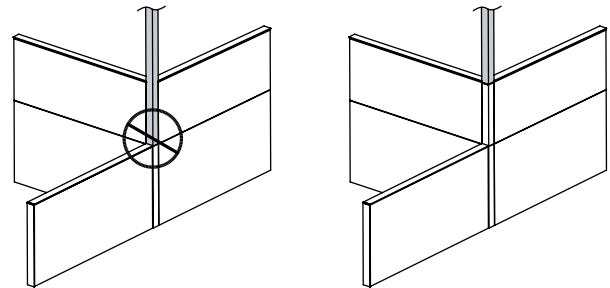
The following should be considered when planning with the Ceiling Feed Harness, Power Pole, End of Run Power Pole and Off-Module Power Pole



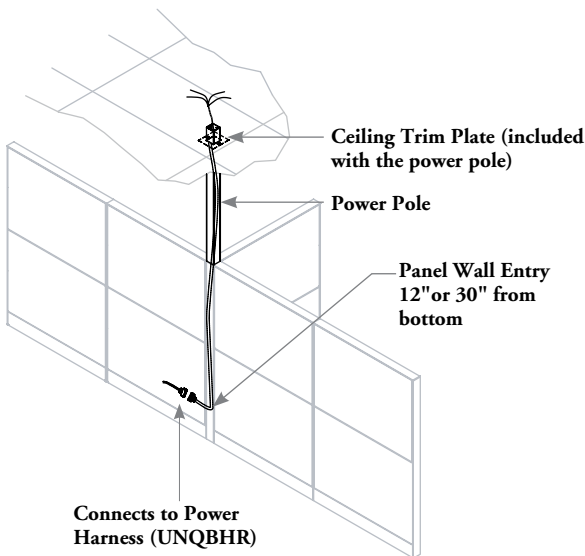
- The Power Pole can be located at Two and Three-Way 90° corners and at end of run and off-module locations

Power Poles located at corners:

- Always terminates at the top of a corner assembly
- Connectors are specified to the highest height, and then the Power Pole is installed

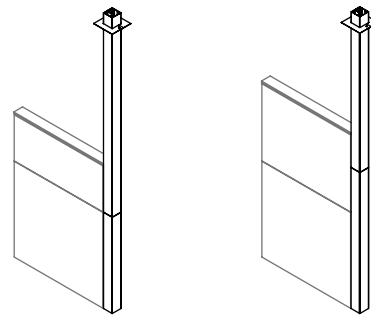


- Available in 48", 72" and 96" heights, and can be cut on site to required height
- Required height is the distance between finished ceiling height and top of the panel plus 4"
- Ceiling harness (120") is compatible for ceilings up to 10'
- Removable cover on one side gives access to the inside of the pole



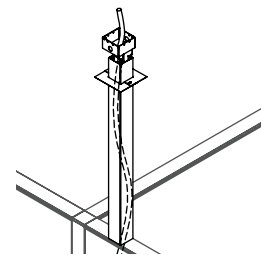
ceiling feed

- Available hardwired for building connection
- The other end of the harness is a female connection
- A power harness is required to route ceiling harness to a power box
- Chicago version must connect to a distribution box



end of run power pole

- Is typically used when no corner location is available for the Power Pole
- Available in two heights. 29" high for 29" high Panel Walls or where only below worksurface panel entry for Power Harness is required and 42" high for Panel Walls 42" or higher, entry for Power Harness can be either above or below the worksurface
- An additional Power Pole to ceiling height must be specified above that

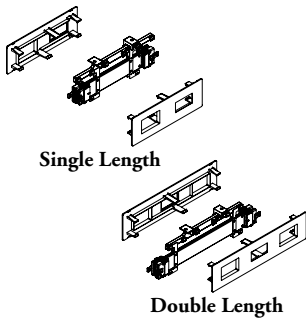
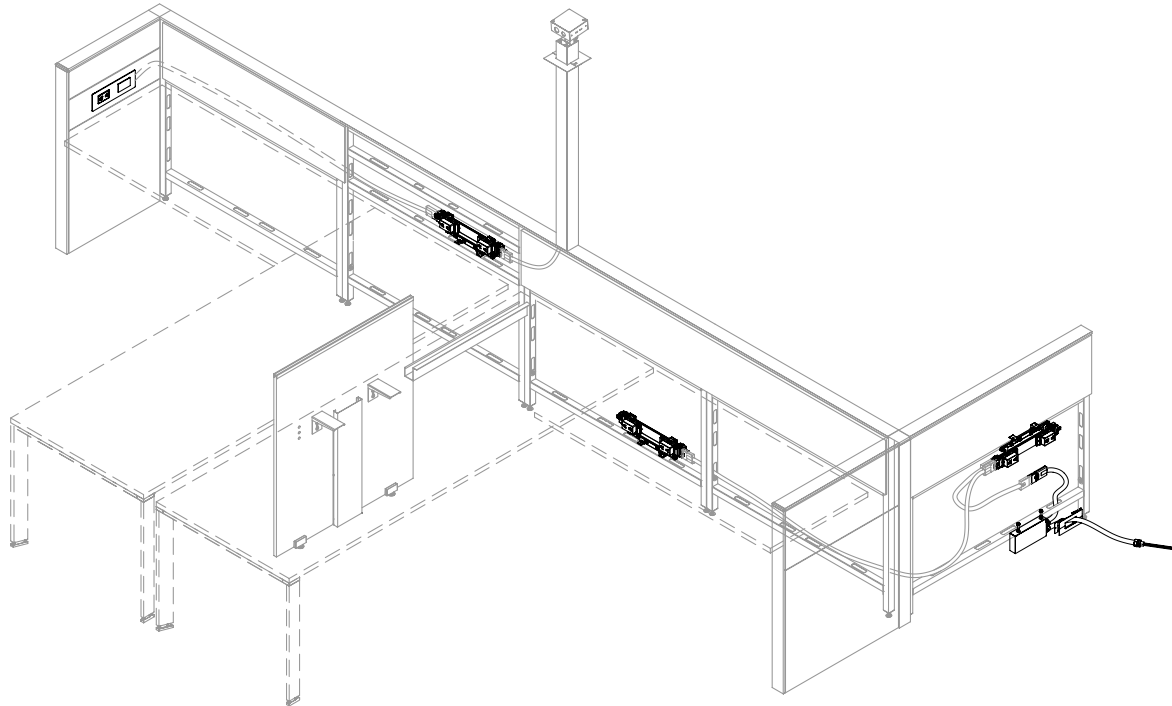


off-module power pole

- The Off-Module Power Pole Top Trim (UNTTTP) is complete with a cutout to accommodate the Power Pole (ordered separately) at 9" from any Panel Wall End.
- Can only be located where solid fascias or accessory rails are applied
- **Cannot** be located directly above a Tackable Fascia, Whiteboard or Glazed Fascias

power & communications basics – panel-mounted workstations

Power can be accessed at various heights within a panel wall through the use of power boxes and receptacles.



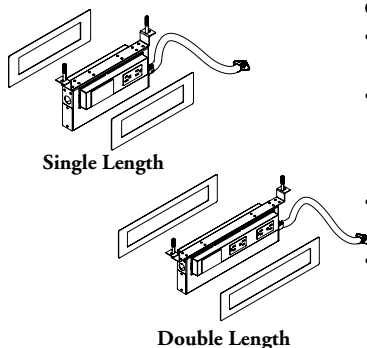
Power Box (UNQPR)

- A module for mounting receptacles (specified separately)
- Mounts to the panel frame below or above panel wall rails but does **not** clip to light block rails
- Available in single (S) or double (D) lengths – the 24" and 30" wide panels can only accommodate the single box
- Single length power box is 12" long and includes a bezel with one receptacle and one data opening
- Double length power box is 16" long and includes a bezel with two receptacle and one data opening
- Either a one-sided or back-to-back application must be specified (even though it is the same box), so that the proper amount of bezels will be included
- Available in a PVC free option



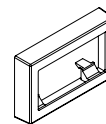
Receptacle Outlet (UNQRO)

- A single duplex receptacle that slides onto the power box module to provide power
- Specified individually for maximum circuit flexibility
- Styles include Standard 15 amp, T-Slot 20 amp, USB, Controlled 15 and 20 amp (20 amp only available in Black)
- Outlet configurations consist of Circuit 1, Circuit 2, Circuit 3 (use 8T only), Circuit 5 (8T and 8K only), Circuit 6 (use 8K only), Circuit A (7T and 7K only), Circuit B (7K only) and USB



Chicago Power Box (UNQPRCH)

- Same as the power box except for Chicago electric applications
- Includes the outlets and faceplates, but does **not** include any connectors – electrical connections must be done on site by a certified electrician
- Must be specified single or double length, and one-sided or back-to-back
- When placing the Power Box at the Base (Bottom Level 1), the "U" Above Worksurface Height (Upper Fascia) mounting location should be used



Data Extender Plate (UNQDE)

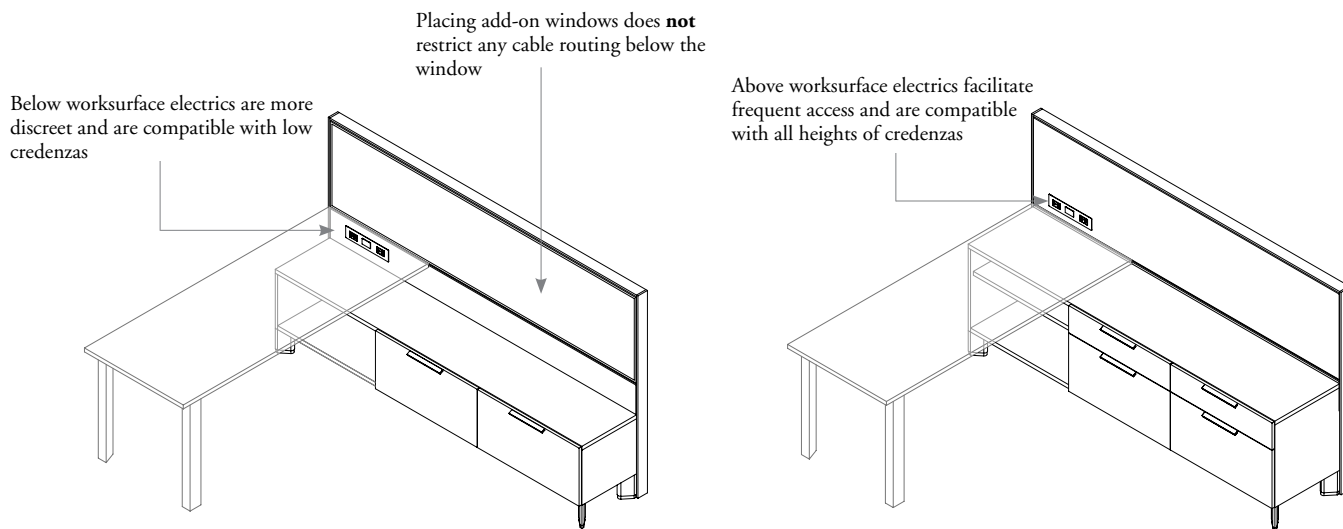
- The Data Extender Plate is placed over a communication opening to provide extended depth for data jacks which may be required in some applications. Consult your data cabling supplier for clearance requirements

planning with power boxes & outlets

The following should be considered when planning with District power boxes and outlets.

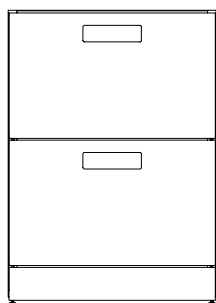
- Panel data capacity: minimum 24 cat. 5 cables at 60% fill
- Power Pole capacity: minimum 24 cat. 5 cables at 60% fill
- Frame openings for vertical routing are present on all panel frames. Each frame opening can accommodate a minimum of two harnesses

above & below worksurface power

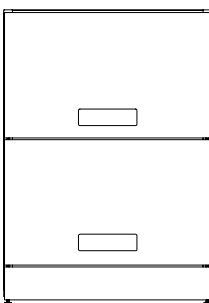


power cut out locations

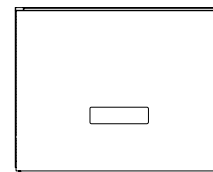
- Power boxes can be placed at the top or bottom of a fascia with electrical cut outs depending on the height of the fascia



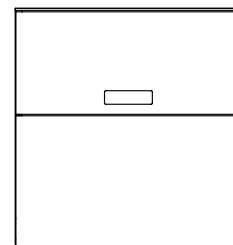
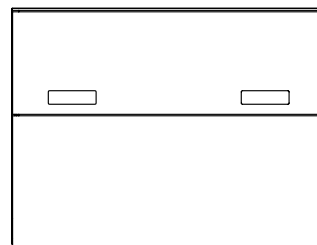
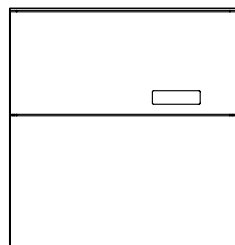
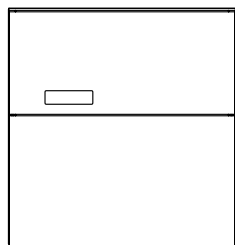
- Top cut outs are available in 13", 22" and 28" high fascias



- Bottom cut outs are available in 7", 13", 22" and 37" high fascias



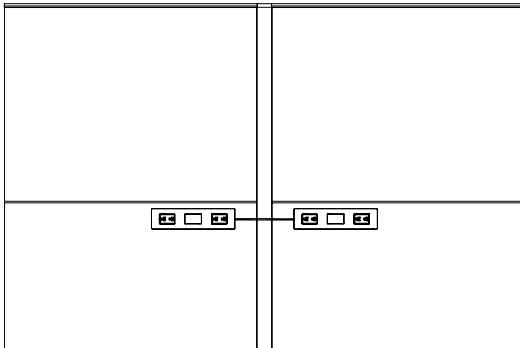
- Flush cut outs are available 28" high for use only on the base of the panel, and will be at the bottom



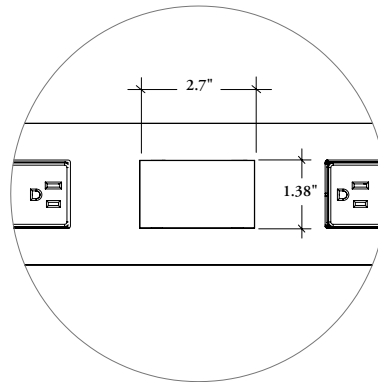
- Cut outs are available left, right or centered depending on panel width (See Fascia section)

planning with power boxes & outlets (continued)

data access

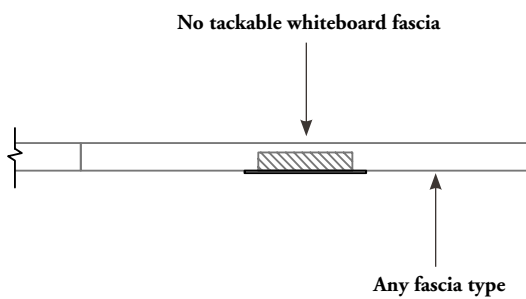


- Data access is in the center of the module and symmetrical on both sides of the panel

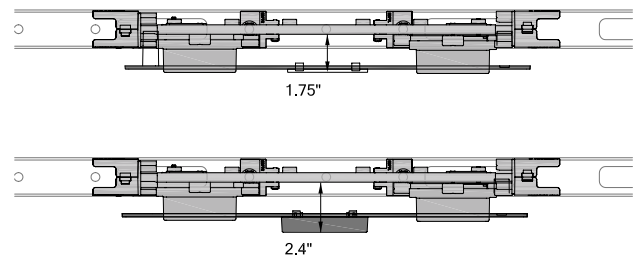


- Data access is provided in the cut outs on power/communications fascias, and on the faceplates included with power boxes
- Cut Outs will accommodate most standard communication faceplates
- The depth available for data jacks is 1.35" when using data faceplates

single-sided power



- When single-sided electrics are used, the fascia on the back side **cannot** be a D-Style fascia with a frame and clips except for the solid fascia; a slot-mounted fascia must be used to allow sufficient space for the power box



- The depth can be increased to 2" by using the Data Extender Plate (UNQED)

wiring systems

Four wiring systems are available for Interpret 8-Wire Isolated (8T), 7-Wire Non Isolated (7T), 8-Wire Dual Isolated (8K) and 7-Wire Dual Non Isolated (7K). Most common Teknion wiring configurations are achieved with these wiring systems.

For sites where Isolated Ground is not available, Teknion offers Non-Isolated Ground options for furniture wiring. The site electrician or electrical contractor/consultant can identify sites where Isolated Ground is not available. For those sites, please specify Teknion 7T or 7K wiring systems.

	No. Regular Circuits	No. Isolated Circuits
8-Wire Isolated (8T) (3+1) 	3	1
8-Wire Dual Isolated (8K) (2+2) 	2	2
7-Wire Non Isolated (7T) (3+1) 	4	0
7-Wire Dual Non Isolated (7K) (2+2) 	4	0

wiring system/receptacles

	Wiring System			
	8T	8K	7T	7K
Regular Ground Receptacles	1, 2, 3	1, 2	1, 2	1, 2, A, B
Isolated Ground Receptacles	5	5, 6	n/a	n/a

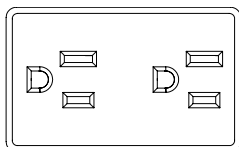
- All receptacles except Circuit 6 can be used with the 8T wiring system (**cannot** accept a 2nd Isolated Circuit)
- All receptacles except Circuit 3 can be used with the 8K wiring system (**cannot** accept a 3rd Regular Circuit)
- Circuit A is compatible with 7T & 7K. Circuit B is compatible with 7K only

wiring system/related circuit

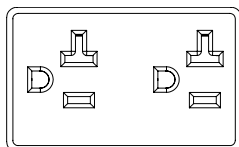
	Wiring System			
	8T	8K	7T	7K
Regular Circuit 1 Receptacle	✓	✓	✓	✓
Regular Circuit 2 Receptacle	✓	✓	✓	✓
Regular Circuit 3 Receptacle	✓		✓	
Isolated Circuit 5 IG Receptacle	✓	✓		
Isolated Circuit 6 IG Receptacle		✓		
Regular Circuit A Receptacle			✓	✓
Regular Circuit B Receptacle				✓

✓ Applicable

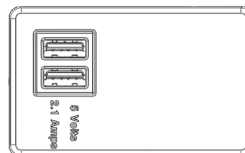
15 Amp



20 Amp



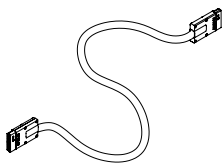
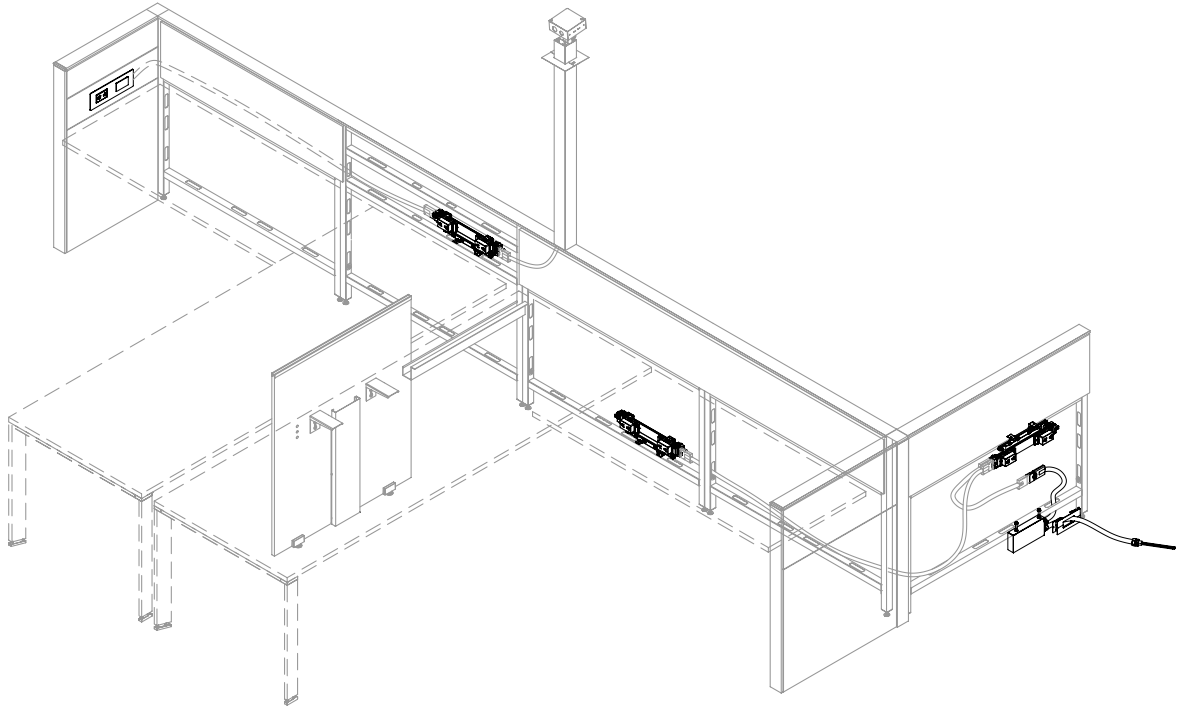
USB



- Outlets are available 15, 20 amp or USB
- The 20 Amp is only available in Black
- USB is always on Circuit 1
- Outlets are available with marking indicating it is connected to a control system in both 15 and 20 amp options.

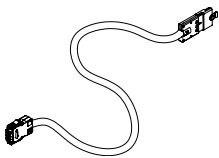
power distribution basics – panel-mounted workstations

Power is routed through panel walls with harnesses. The options are listed below.



Power Harness (UNQBHR)

- Routes power from one power box to another and is non directional
- Also connects to base feeds and ceiling feeds
- Available in various lengths from 9" to 144" and can be used within any panel
- 9", 12" and 24" conduit is mesh, providing a greater bend radius, and all conduits are oval to be able to pass between panels
- Available in a PVC free option



Compatibility Power Harness (UNQCMP)

- Used to connect harnesses from the old District electrics to harnesses from the new District electrics, allowing both systems to be used in the same configurations for 8T and 8K wiring only

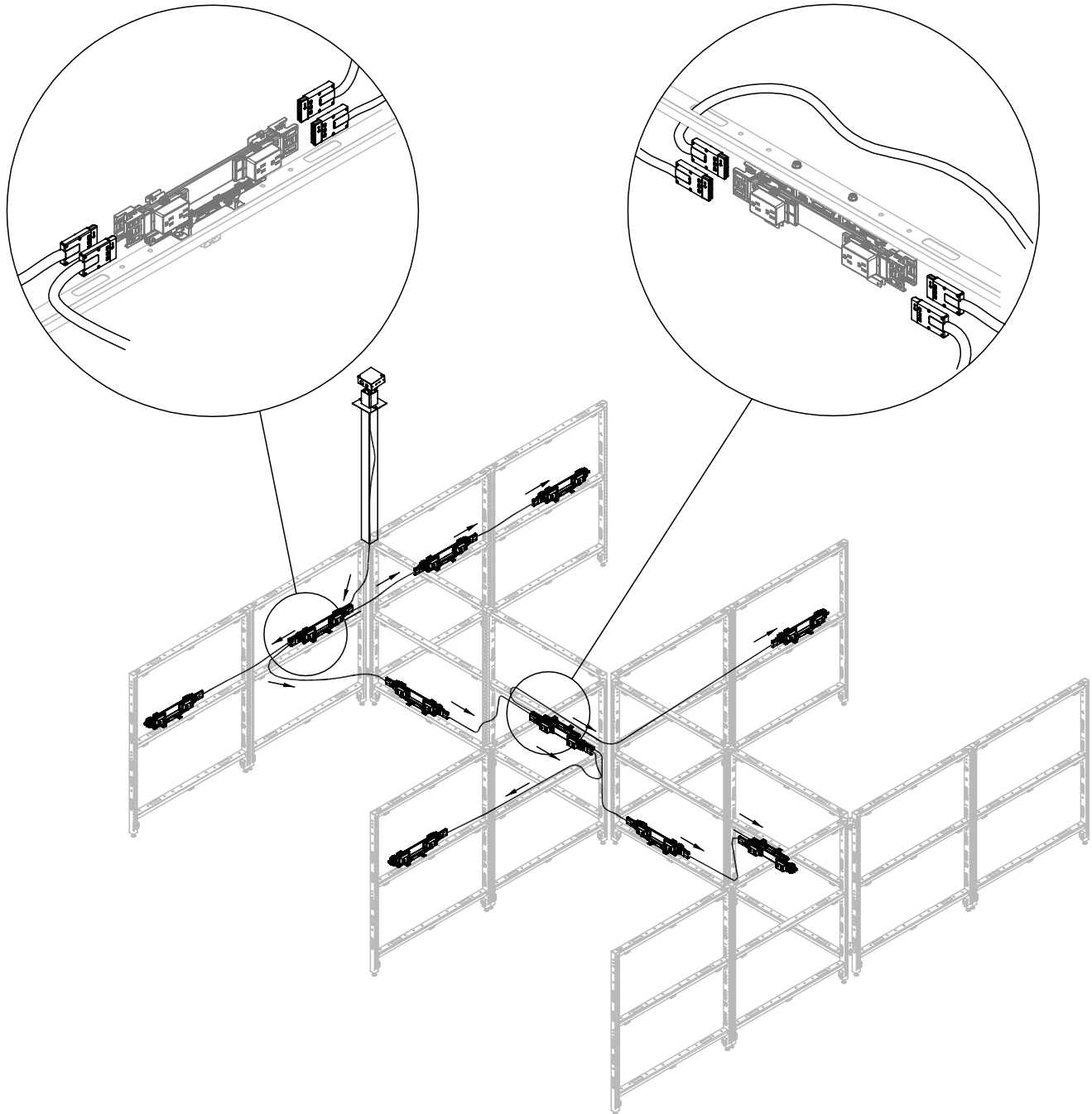


I-Connector (EWIC)

- Used to join two harnesses when a single harness length is **not** long enough

planning with harnesses

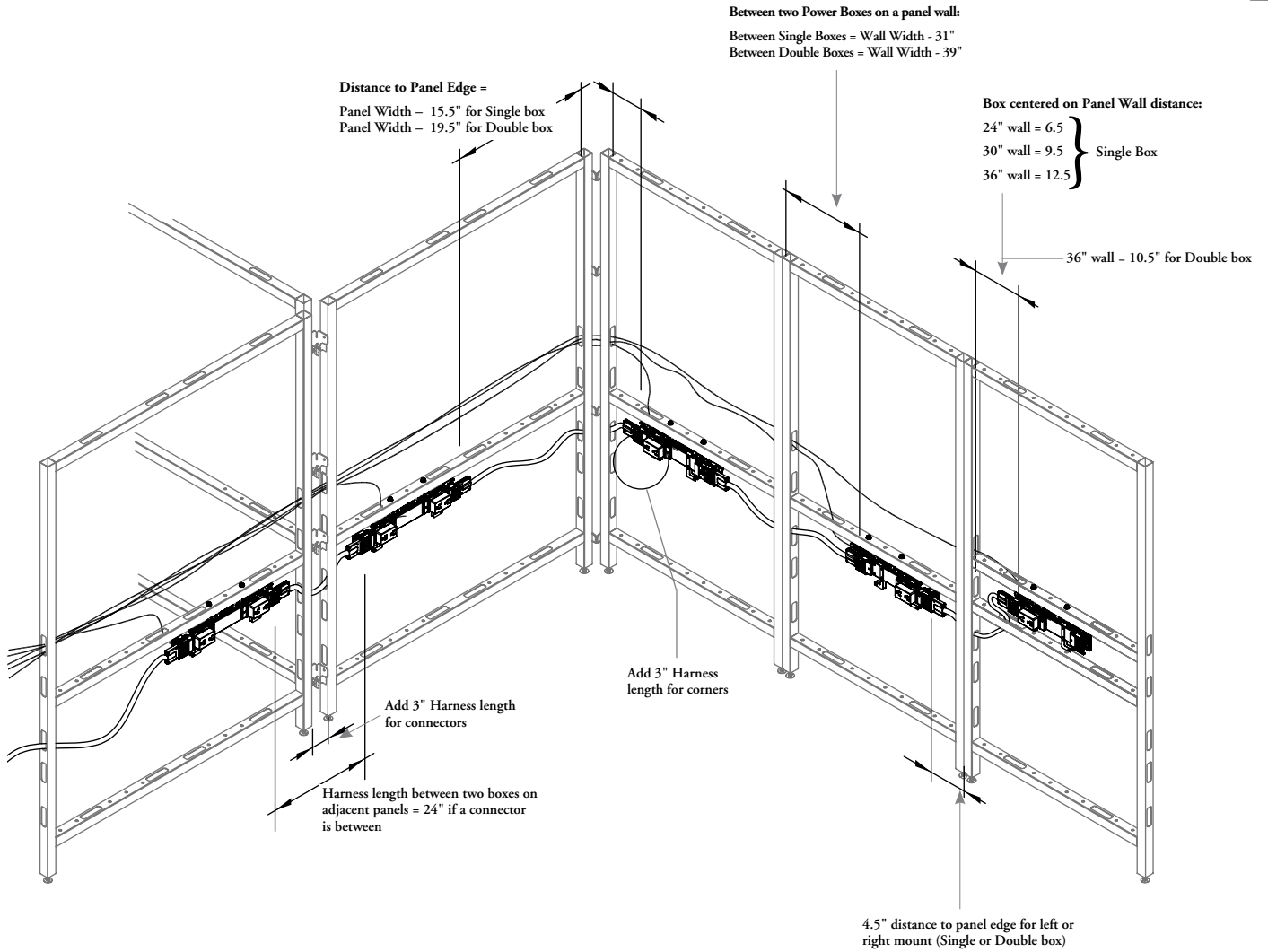
Power boxes allow for non-directional routing, so power can enter and exit from the same end of the power box. Up to four power harnesses can be used on one power box.



determining harness lengths

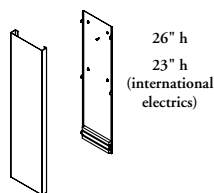
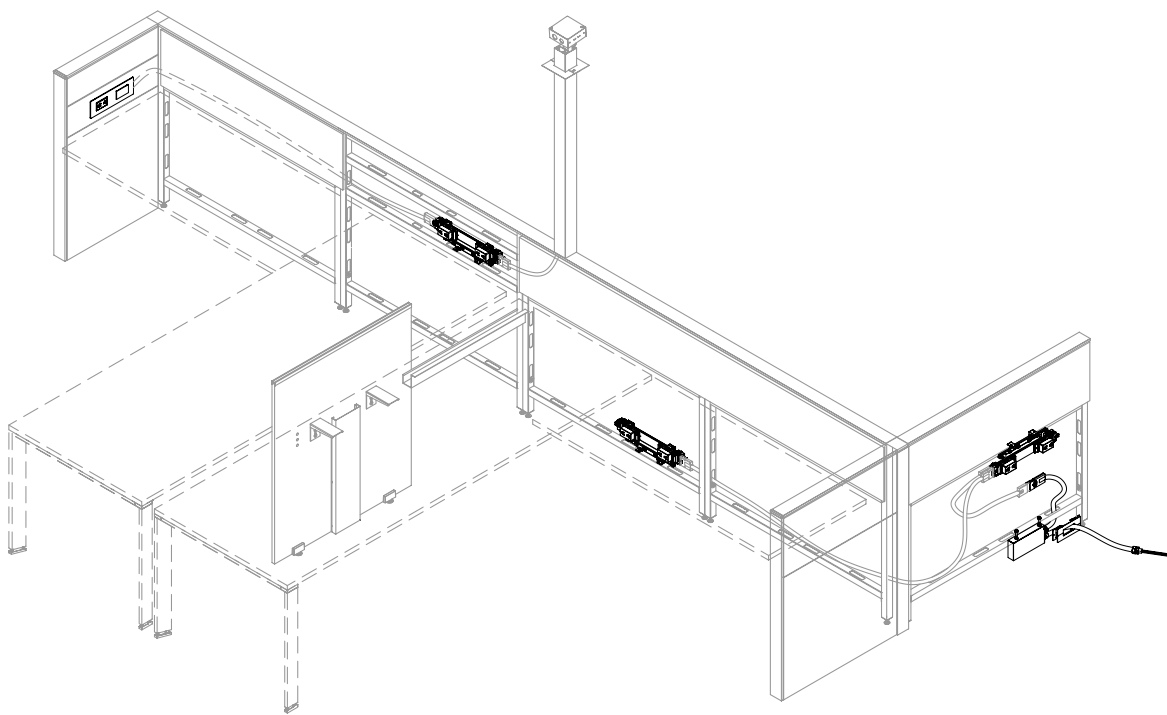
The following outlines the harness lengths required for connecting power boxes.

harness length requirements



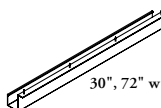
casual electric basics – panel-mounted workstations

District offers options for adding casual power to workspaces, without the use of panels.



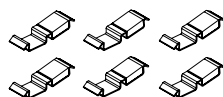
Vertical Cable Manager (UNVC)

- Used to conceal and route cables vertically below the desk
- Mounts to a floor screen or to storage
- Two heights to accommodate North American and International electrics
- The International version allows space to mount an International Outlet Box (VED)



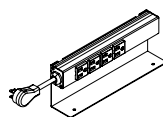
Cable Trough (UNQCT)

- An ABS cable trough is mounted below a worksurface to manage wires coming from the worksurface level on to Panel Wall electrics or floor monuments
- The 30" wide is the optimum size to fit between worksurface brackets



Worksurface Wire Clips (YESW)

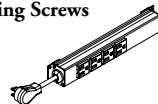
- Available from Complements: *Teknion's Ergonomics & Accessories Program*
- Package of six undersurface cable clips that can be installed on the underside of a worksurface
- Provide two separate channels, one to run electrical and another to run communications cables
- The communications channel has a built-on soft sponge to protect the cables



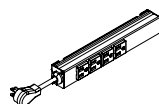
Desk Clamp with Self-Tapping Screws

Power Bar (YEPD)

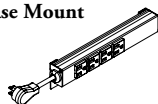
- Available from Complements: *Teknion's Ergonomics & Accessories Program*
- Attaches to a desk or the underside of a worksurface or to a modesty panel to provide casual power
- Does **not** include data capability



Under-Worksurface Mount



Lyft Base Mount

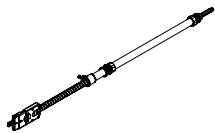
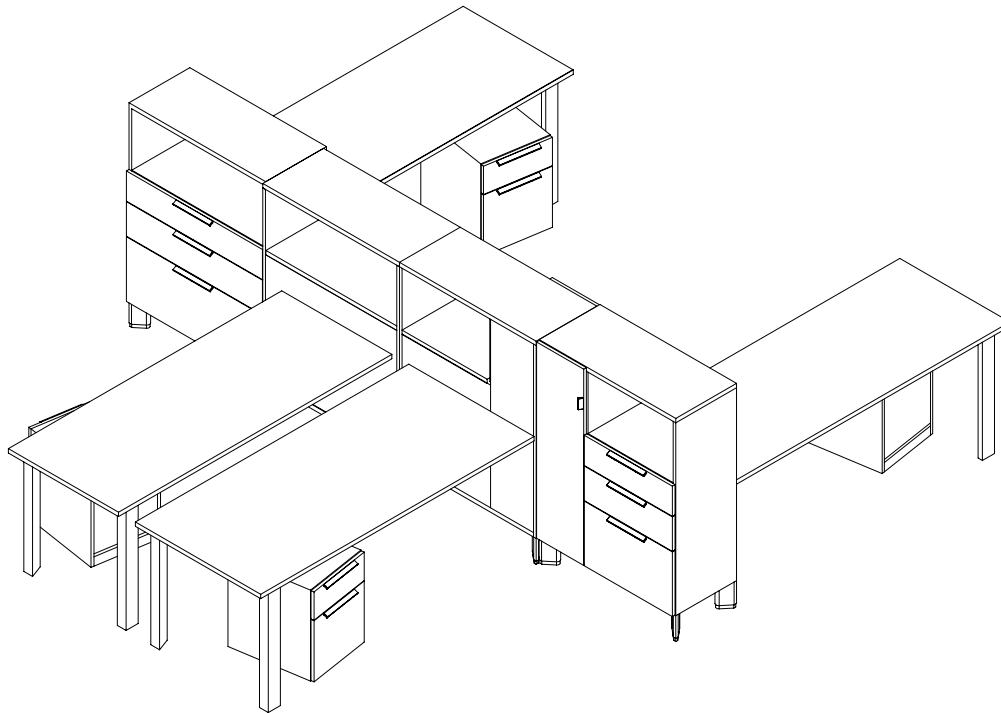


Accessories Element Mount

Grommets

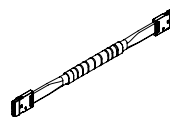
- Available as an option for workspaces, credenzas and elevated high credenzas
- Available from Complements: *Teknion's Ergonomics & Accessories Program*

Power can be routed through elevated District storage to provide power to workstations with no panel walls.



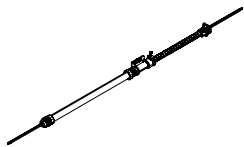
Storage Base Feed (EWBF)

- Provides power from the floor to the underside of the storage cabinet and connects to harnesses
- Available in 72" and 144" lengths in 8T, 7T, 8K and 7K wiring systems



Storage Power Harness (EWBH)

- Carries power along the base of the cabinet to power & data box in the storage unit
- Available in lengths of 24", 48", 72", 120" and 144"
- 24" length is mesh, other sizes are a hybrid of mesh and metal conduit



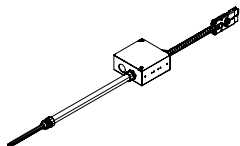
Storage Chicago Base Feed (EWBFCH)

- Same as the Base Feed (EWBF) except for Chicago electrics application
- Only the conduit is provided
- All wiring and connections must be supplied and connected by a certified electrician



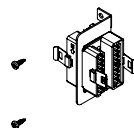
I-Connector (EWIC)

- Used to join two harnesses when a single harness length is **not** long enough



Storage Split Base Feed (EWBFS)

- Same as the Base Feed (EWBF) except it is hard wired to the building power supply in two places in New York wiring restrictions

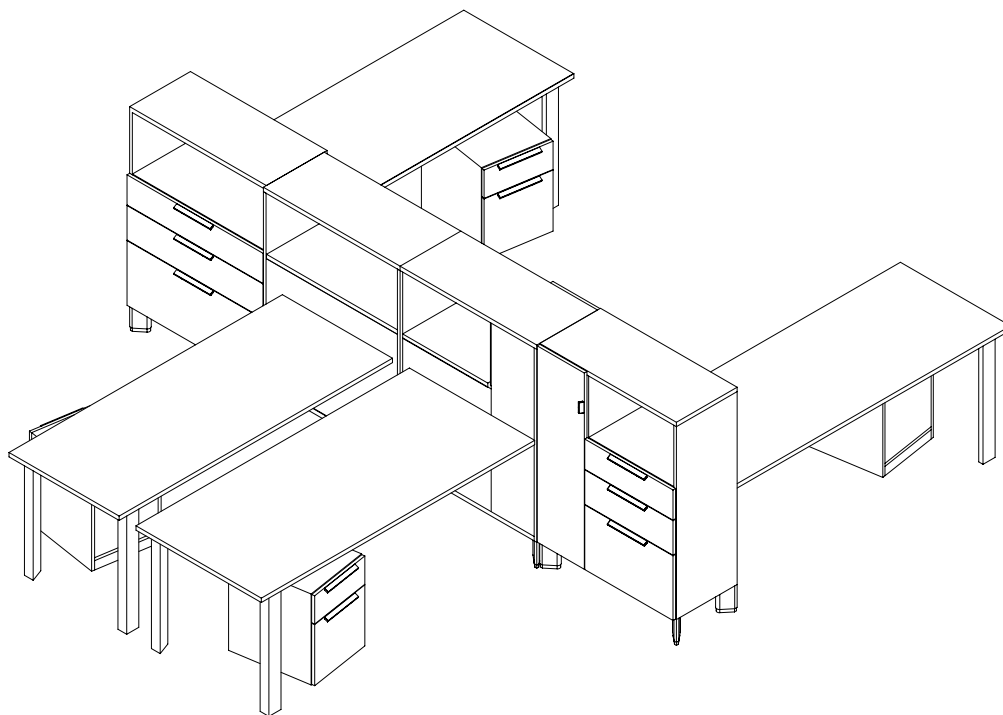


Four-Way Splitter (EWDB)

- Attaches to a harness to split power in four different directions

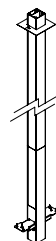
storage electrics basics (continued)

Power can be brought into the storage unit from the floor via a Base Feed or from the ceiling via a Power Pole Ceiling Feed. Build in feeds always route power & data to the underside of the elevated storage.



Storage Ceiling Feed (EWCF)

- Routes power to the underside of the storage cabinet from the ceiling through the storage power pole
- Can be directly connected to the Flush Mounted Power & Data (EWQP) unit once I-connector is removed



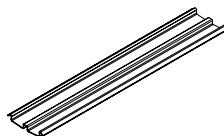
Storage Power Pole (EWEP)

- The Storage Power Pole (EWEP) can route power and data to two storage units.
- Houses the Storage Ceiling Feed and divides the ceiling feed from communication and data cables
- It is used to feed power and data to the underside of the storage units



Storage Chicago Ceiling Feed (EWCFCF)

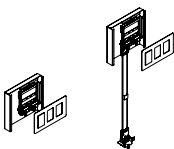
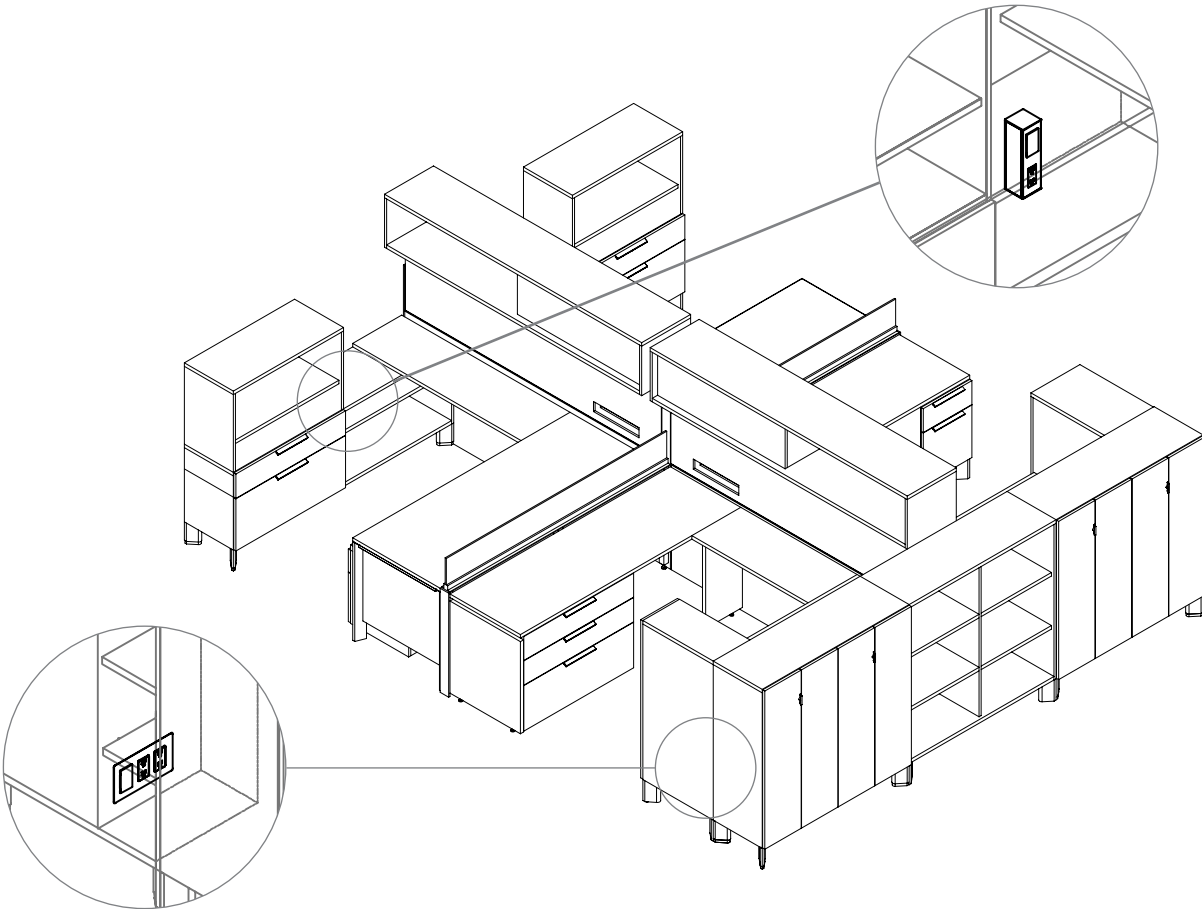
- Same as Storage Ceiling Feed (EWCF) except for Chicago electrics application
- The Storage Chicago Ceiling Feed (EWCFCF) comes with a 3-wire. No connector is found on the bottom end due to Chicago electrics wiring restrictions
- Chicago electrics wiring restrictions require that all wiring and connections be supplied and connected by a licensed electrician



Under Cabinet Wire Tray (EWWT)

- A tray for managing wires below the storage cabinet
- Available in lengths of 12", 24", 36", 48", 60", 72" and 84"
- Tray **cannot** span across two storage units. Specify at least 12" less than the width of the cabinet onto which it is being mounted

storage electrics basics (continued)



Flush Mount Power & Data (EWQP)

- A module for mounting receptacles (specified separately) to storage
- Mounts to the back of a storage cabinet at either base height or belt-line height
- Each unit supplies power & data access to user on opposite (backside) of cabinet



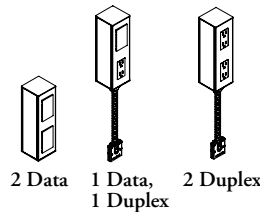
Chicago Flush-Mounted Power Box (EWQPCH)

- Same as Flush Mount Power & Data (EWQP) except for Chicago electrics application
- Data and communications must be sourced separately
- Chicago electrics wiring restrictions require that all wiring and connections be supplied and connected by a licensed electrician



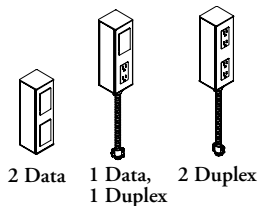
Storage Receptacles Outlet (EWRO)

- A single duplex receptacle that mounts into the Flush Mount Power & Data (EWQP) unit to provide power
- Specified individually for maximum circuit flexibility
- Styles include Standard 15 amp, T-Slot 20 amp, USB, Controlled 15 and 20 amp (20 amp only available in Black)
- Outlet configurations consist of Circuit 1, Circuit 2, Circuit 3 (use 8T only), Circuit 5 (8T and 8K only), Circuit 6 (use 8K only), Circuit A (7T and 7K only), Circuit B (7K only) and USB
- Available in 15 amp and 20 amp (20 amp only available in black)



Cubby Power Monument (EWQPM)

- Provides access to power and data in open cubby sections of credenzas or the back cubby sections of pedestals and pedestal towers
- Cubby Power Monument must plug directly into a Four-Way Splitter (EWDB) or an I-Connector (EWIC). It plugs directly into a Storage Power Harness (EWBH).
- T-Slot 20 amp receptacle style is finished in Ebony



Chicago Cubby Power Monument (EWQPMCH)

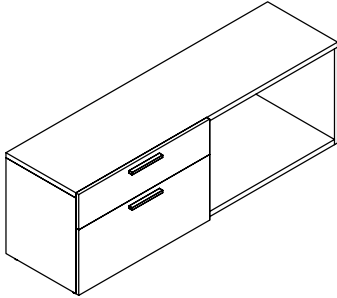
- Same as Cubby Power Monument (EWQPM) except for Chicago electrics application
- T-Slot 20 amp receptacle style is finished in Ebony

planning with storage

The following should be taken into consideration when planning with spine storage electrics.

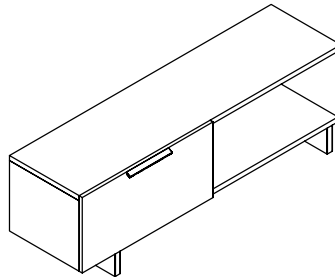
electrical capability

296



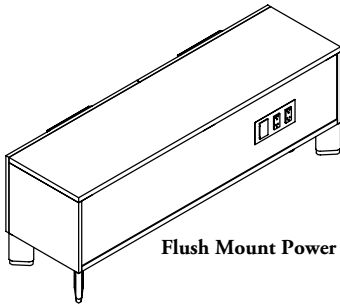
Standard, No Feet

- Standard storage has no electrics or cable management capabilities



Elevated, District Feet

- Elevated storage with District feet has no electrics or cable management capabilities



Flush Mount Power & Data (EWQP)

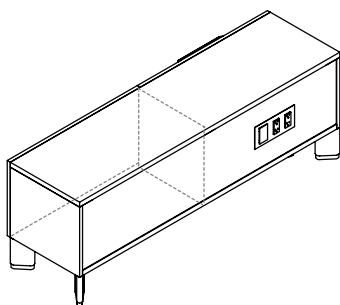
Elevated, Angled Feet

- Angled feet allow for a full electrified system by providing undersurface wire troughs and harnesses for routing power to Flush-Mounted Power & Data Boxes or the Cubby Power Monument
- Also grommets may be specified in the open cubby section for light cable management

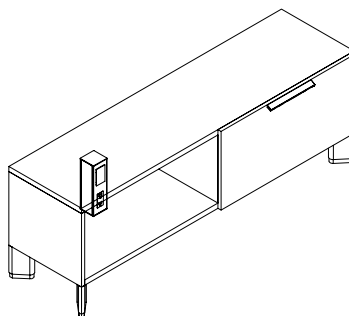
planning with storage (continued)

power locations

credenzas

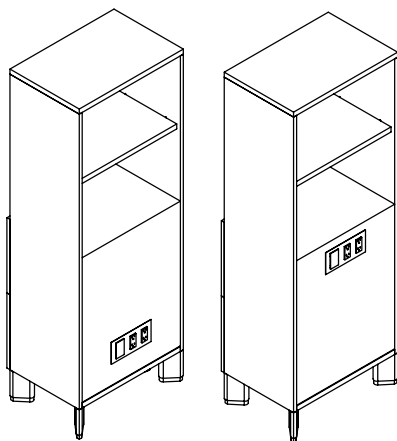


- Flush-Mounted Power & Data modules are always at base height, located behind the drawer when added to credenzas
- Base cut out must be specified when ordering the credenza

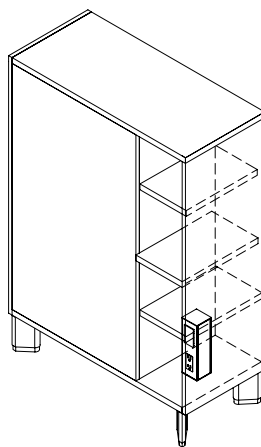


- **Cubby Power Monument (EWQPM)** can be located in the open cubby section of a credenza. It will fit into the grommet hole, therefore grommet must be selected when specifying the storage unit

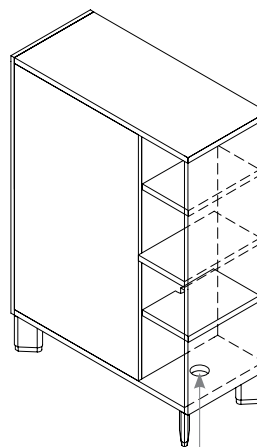
towers & lockers



- For Lateral File, Lateral Tower or Combo Tower application, Flush Mounted Power & Data modules can be mounted at base or belt-line height
- Base or Belt-line back cut out must be specified when ordering the storage unit



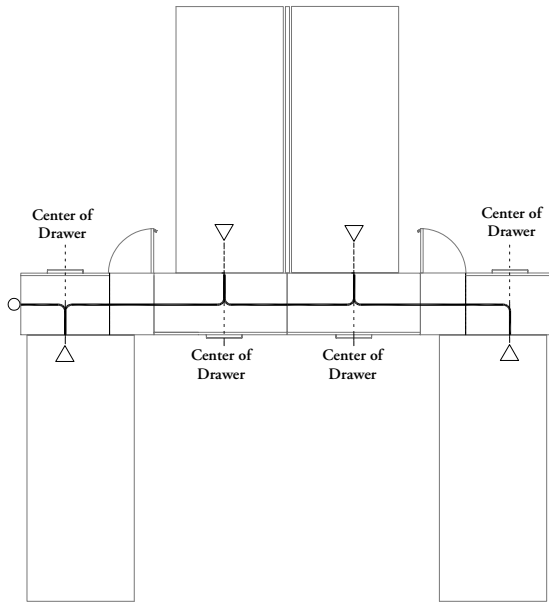
Cubby Power Monument can be mounted in grommet hole.



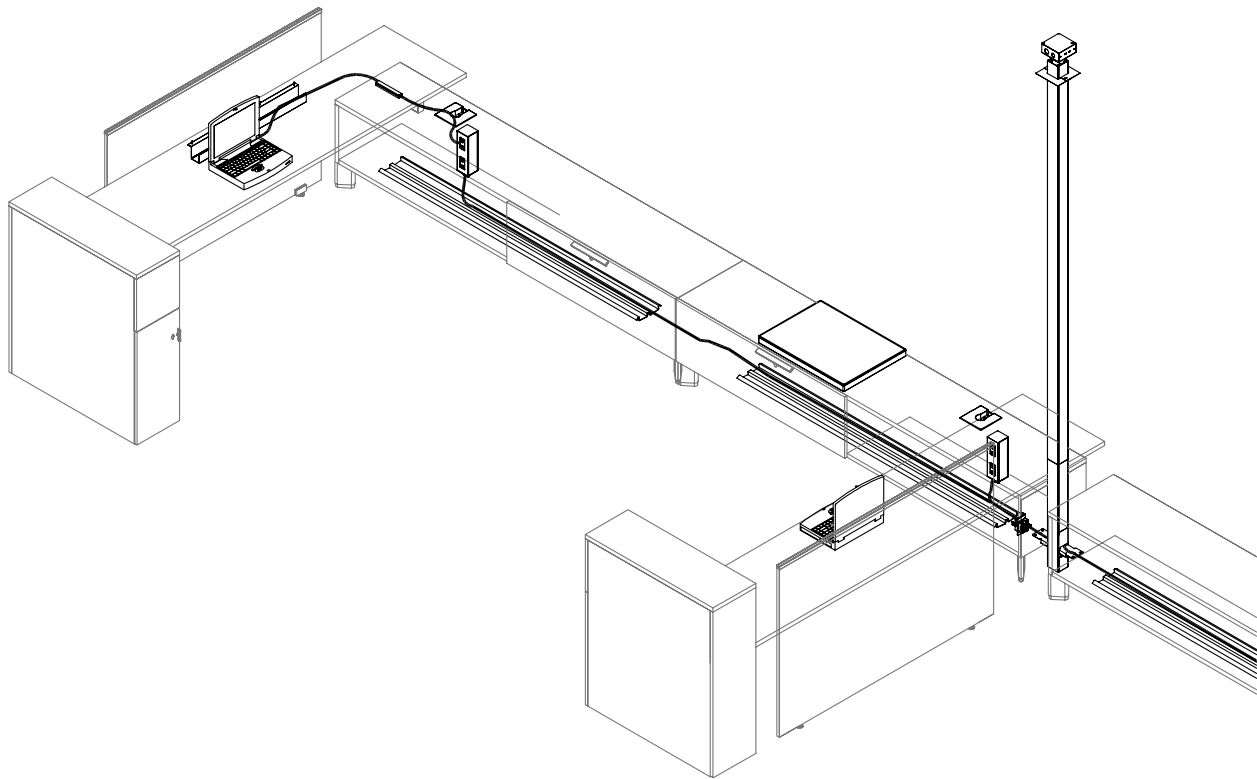
Flush-Mounted Power & Data unit can be mounted into base or belt back cut outs.

- For Single Lockers, Pedestal Towers or Pedestals with Cubby back, several options are available. Grommets can be used for casual power, or Flush-Mounted Power & Data units or Cubby Power Monuments may be used for multi-circuit power & data application

planning with storage (continued)



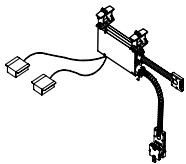
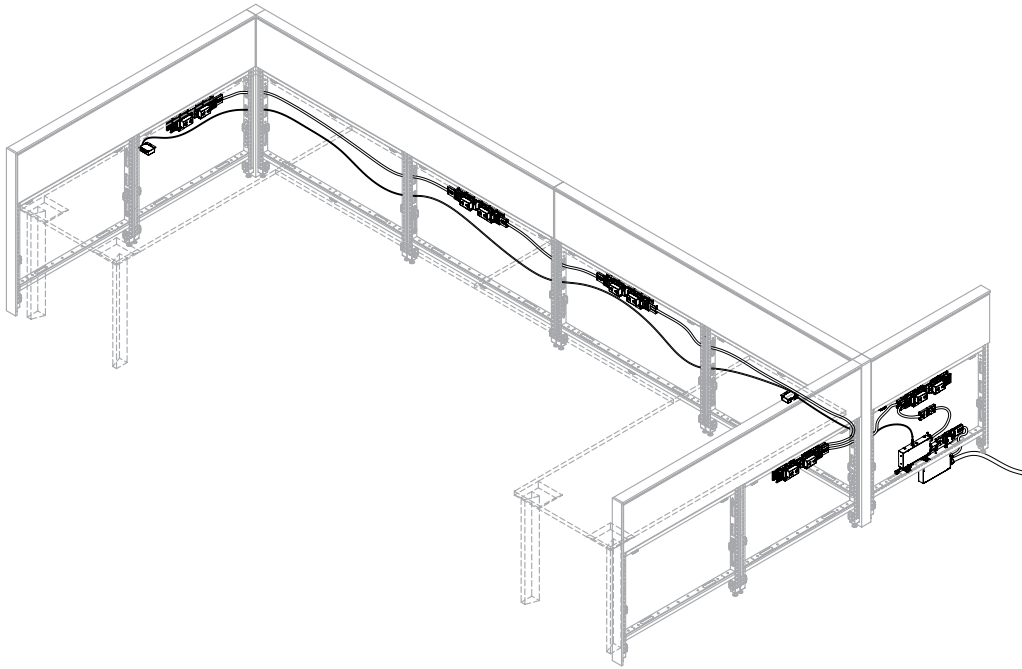
- Power does **not** have to be on one side only of a storage run – storage can be alternated to allow for maximum planning flexibility
- Flush-Mounted Power & Data (EWQP) module unit is always centered on the back of the drawer section of the unit
- To specify the correct lengths of power harness, determine the distance from the center of one cut out to the center of the next cut out, then add 24"
- Power outlets will be centered behind the filing section of a combo tower



- When planning with a low storage unit in a freestanding environment, Cubby Power Monuments can be mounted into credenzas to provide multi-circuit power and data to the workstation
- Power can be routed from the building to the storage unit through Base or Ceiling Feeds then horizontally routed under the storage units along Under Cabinet Wire Trays
- Cubby Power Monuments must plug directly into a Four-Way Splitter (EWDB) or an I-Connector (EWIC). It **cannot** plug directly into a Storage Power Harness (EWBH).
- Power Poles can feed two storage units

power conservation system basics

Furniture based solution for the controlling function that addresses the ASHRAE/Title 24 electrical requirements.



Power Conservation System (UNQPC)

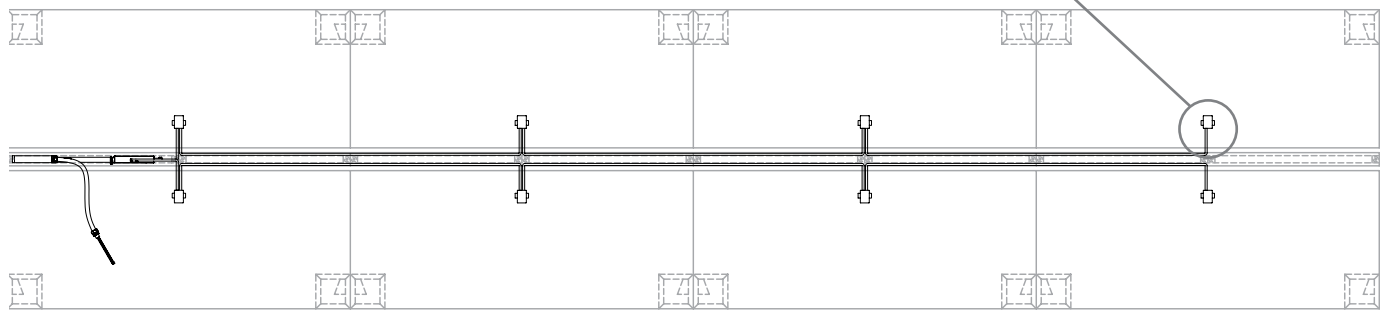
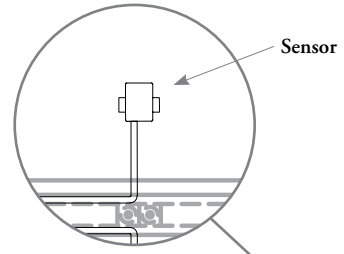
- A hard wired connection supplies power into a panel from the building power source
- Available with option of 2, 4 or 8 sensors
- Mounts to the underside of the worksurface
- Sensors available in black
- Sensor wire available in light grey

planning with power conservation system

The following should be considered when planning with the Power Conservation System.

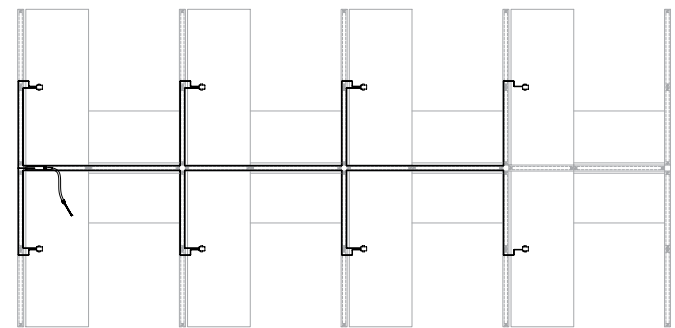
When planning with the Power Conservation System, the sensors should ideally be applied to back to back workstations or side by side planning.

Following planning shows where to place the sensors in straight runs, L-shaped layouts and U-shaped layouts.

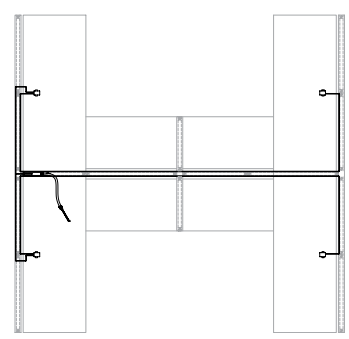


Straight Run Workstations (8 Sensors)

- Power Conservation System sensor cord has a maximum length 12 feet



L-Shaped Workstations (8 Sensors)



U-Shaped Workstations (4 Sensors)

international electricians

international electrics

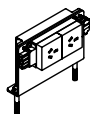
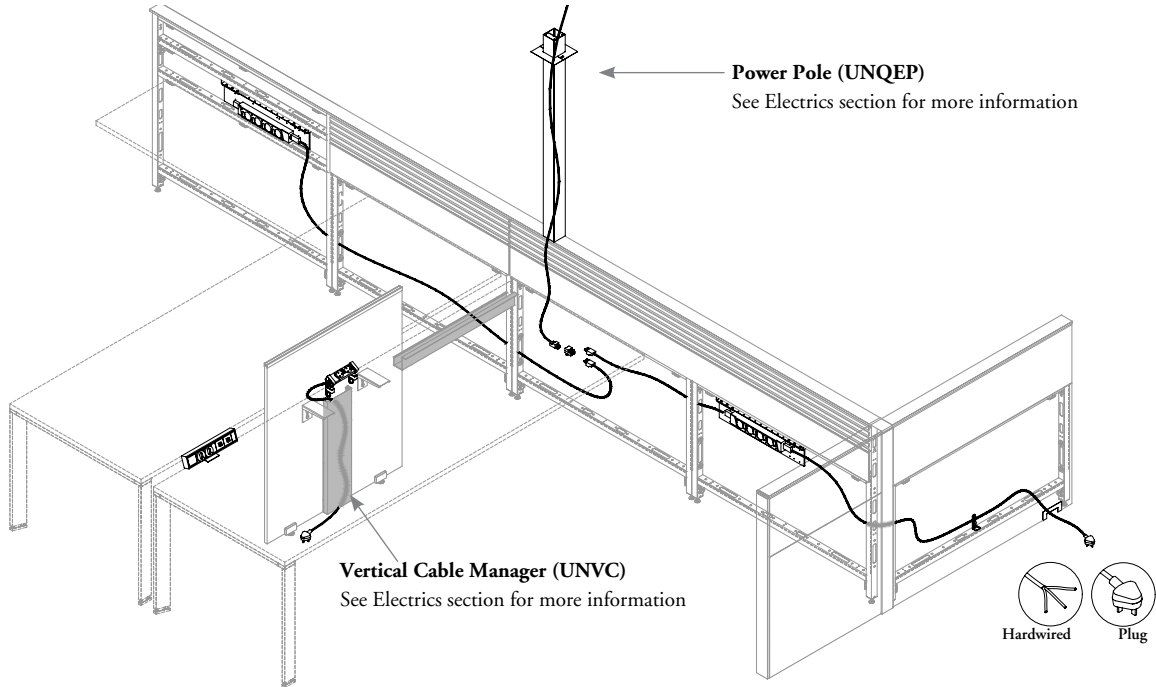
INTERNATIONAL ELECTRICS BASICS 303

PLANNING WITH INTERNATIONAL ELECTRICS 307

international electrics basics

District is available with electrical components specific to District, including CALA electrics.

- International Electrics are a single circuit, 3 wire directional system
- Power outlet types are available for different regions and have options for fuses and switches

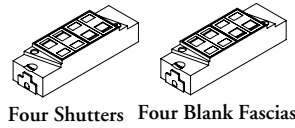


CALA Power Module VBCD
Provides access to power in CALA applications
-Includes the attachment bracket

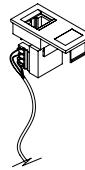
- Applications:**
- DA Double Duplex, One Sided
 - DB Double Duplex, Back to Back
 - SA Single Duplex, One Sided
 - SB Single Duplex, Back to Back

- Outlet Configurations**
- Single Duplex
 - 003 Three Data
 - 200 Two Power
 - 120 One Power & One USB
 - Double Duplex
 - 203 Two Power & Three Data
 - 400 Four Power
 - 320 Three Power & One USB

- Country of Installation:**
- R Argentina
 - N Brazil
 - L Chile

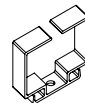


Four Shutters Four Blank Fascias



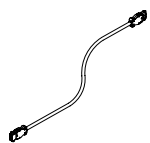
Voice & Data Box (VVD) & Voice & Data Box Outlets (VDO)

- The voice data box provides the user with access to communications and data cable
- Comes complete with blanks and shutters
- The data box outlets are inserted into the voice and data box
- Mounts to a Power Mounting Bracket (UNXB)



Screen Mounted Outlet Box Bracket (UNXSE)

- Used to casually mount an outlet box to a screen, a modesty panel, storage or underside of worksurface
- Used in combination with an Input Power Cable (VEP)



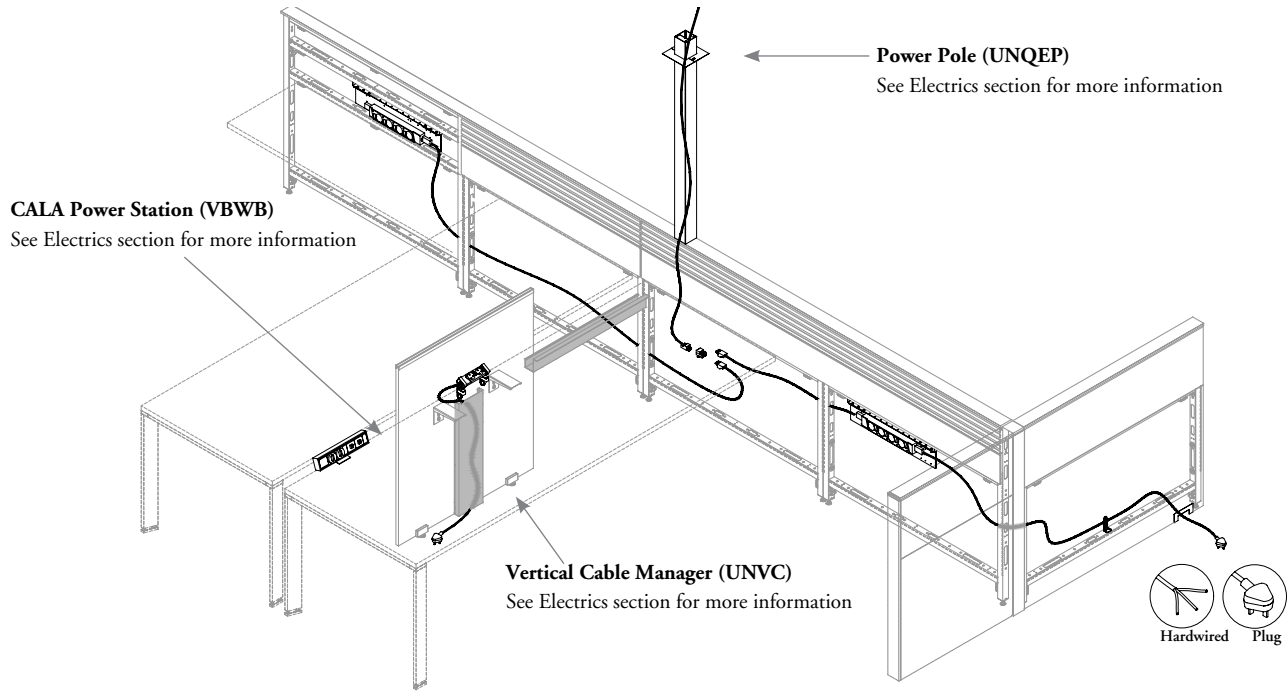
District CALA Jumper Power Harness (VBPH)
Routes power between CALA power modules
Length
200 mm



Interconnecting Power Cable (VCC)

- Routes power between outlet boxes or distribution block in panel and carries to next panel wall

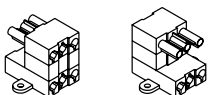
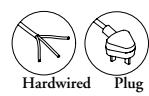
international electrics basics (continued)



CALA Power Station (VBWB)
See Electrics section for more information

Power Pole (UNQEP)
See Electrics section for more information

Vertical Cable Manager (UNVC)
See Electrics section for more information



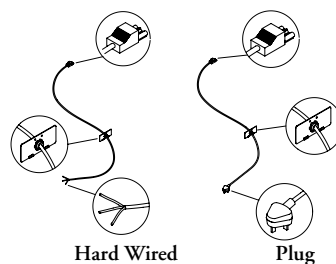
Distribution Block



Cover Cap

Distribution Block (VACEB) & Cover Cap (VACEC)

- The distribution box redirects power distribution in up to three directions
- Complete with one male connector (in) and three female connectors (out)
- Is placed inside panel wall without fasteners
- The Cover Cap is a safety cover for non utilized female terminals on an Outlet Box (VED) or Distribution Block (VAC EB)

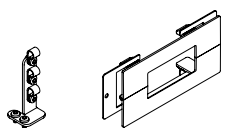


Hard Wired

Plug

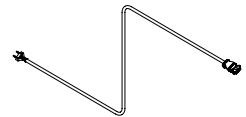
Input Power Cable (VEP)

- Brings power from the building or ceiling to either a panel wall where it is routed to an outlet box or to a desk where it is routed through wire managers to casually mounted power
- Available with 2 cable ends, hardwire or plug



Base Feed Mounting Kit (UNXPFR)

- Includes a strain relief bracket and a cover plate that is attached to the panel and conceals the opening where an Input Power Cable (VEP) or voice/data enters the panel wall

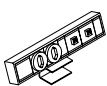


CALA Power In Feed (VBPD)

- Routes power from the building or ceiling in CALA applications

Length:
1800 mm

Country of Installation:
R Argentina
N Brazil
L Chile



CALA Power Station (VBWB)

Mounts to a worksurface to provide power

Outlet Configurations:

- Double duplex
- (202) Two Power & Two Data
- (400) Four Power
- (320) Three Power & One USB

Country of Installation:

- R Argentina
- N Brazil
- L Chile

Cord Length:
1800 mm

Finishes

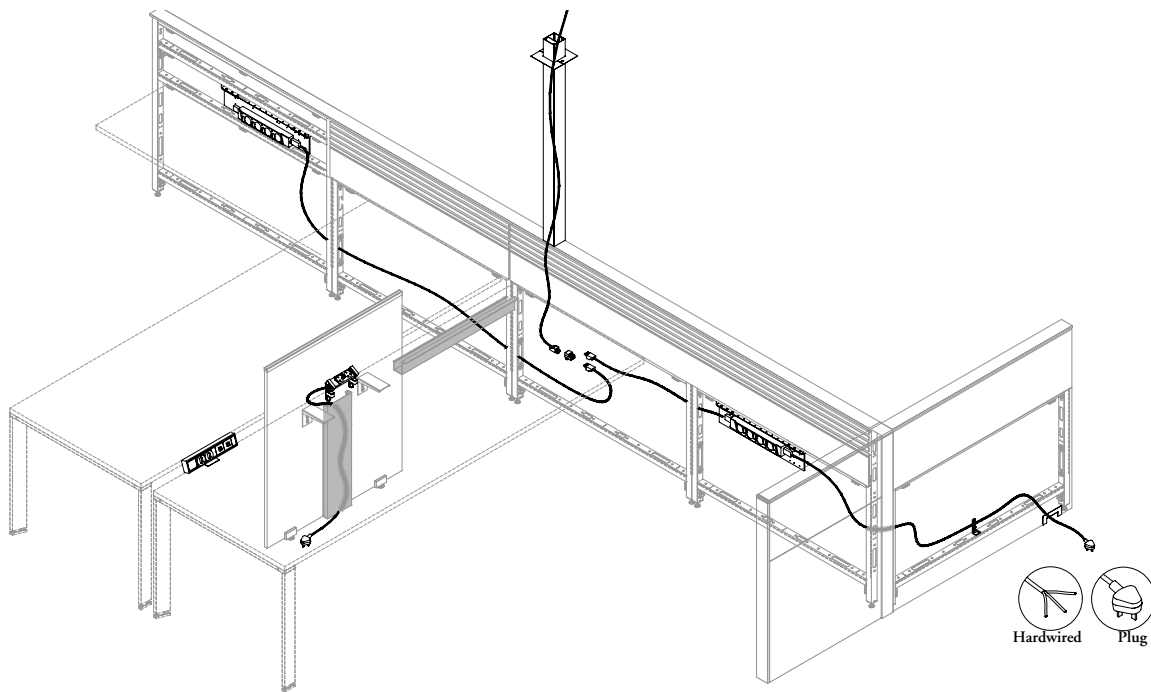
Receptacle Finish:
Ebony Coordinate
Very White Coordinate

Clamp Finish:
Clear Anodized Aluminum

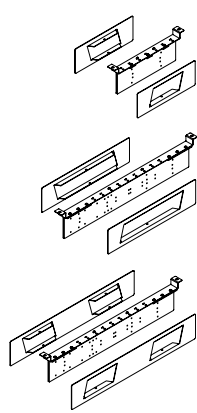
international electrics basics (continued)

District utilizes standard International Electric components, as well as District specific components

- International Electrics are a single circuit, 3 wire directional system
- Power outlet types are available for different regions and have options for fuses and switches

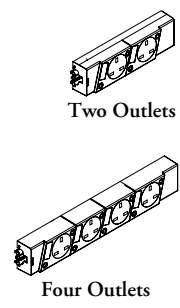


306



Panel Mount Outlet Box Bracket (UNXBR)

- Used to attach an Outlet Box (VED) and Voice and Data Box (VVD) to a panel wall
- Available in above and below worksurface versions
- Available for two outlets, for four outlets or for two outlets and a data box
- The same bracket allows for single or double-sided mounting of outlet brackets (specify fascias accordingly)
- Compatible with a standard or elevated panel
- A 1" gap along the worksurface and grommets permit component wire passage to outlets below the worksurface



Outlet Box (VED)

- Provides access to power above and below worksurface
- Can be mounted onto a panel with a Power Mounting Bracket (UNXB) or to the edge of a worksurface, see Desk Mounting Clips (VACB6)
- Power outlets have a socket angle of 15°
- Panel mounted access is below worksurface height at 25", flush with the panel wall face
- Faceplates are included with outlets and voice/data boxes
- The bottom of the faceplate aligns with the top of a low credenza
- Outlets are available; 2 x power, 4 x data or 4 x power



Desk Mounting Clips (VACB6)

- Used to attach an Outlet Box (VED) or Voice and Data Box (VVD) to the edge of a worksurface
- Fits all sizes of Outlet Boxes (VED) or Voice and Data Boxes (VVD)


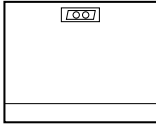
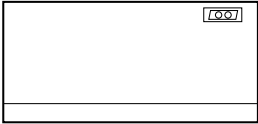
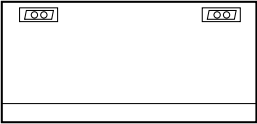

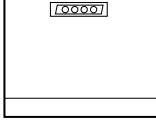

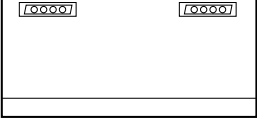

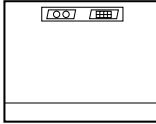

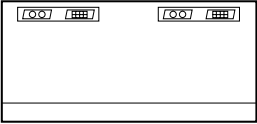
Desk-Mounted Clips for Outlet Box

planning with international electrics

International power and data has some unique features that are not found in North American electrics. The examples below demonstrate this.

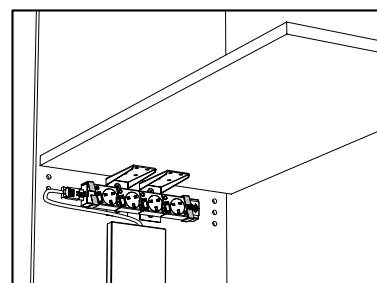
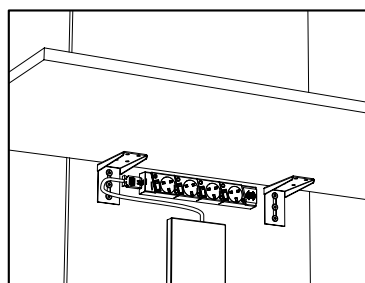
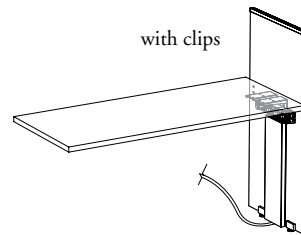
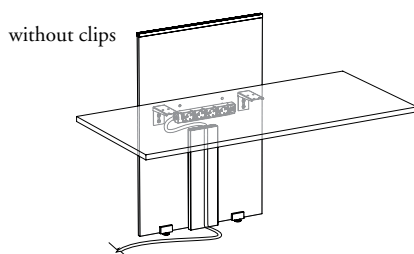
panel wall

- Outlet locations are located in panel wall centers or at panel edges according to size and fascia specifications

Outlet type:	Outlet location:		
	Center	Left or Right Side	Left and Right Side
 2 x Power	 24" - 36"	 42" - 96"	 66" - 96"
 4 x Power	 36"	 42" - 96"	 66" - 96"
 2 x Power + 4x Data/Com	 36"	 42" - 96"	 66" - 96"

mounting to floor screens

- When outlets are mounted to floor screens, they are below worksurface height
- Should be installed 2" below the surface, centered on the floor screen width where possible and **not** wider than a 4 x power outlet box
- They are attached with the Screen Mount Outlet Box Brackets (UNXSE) or with screws



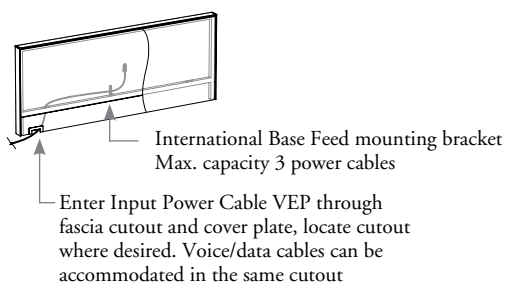
planning with international electricians (continued)

International power and data has some unique features that are not found in North American electricians. The examples below demonstrate this.

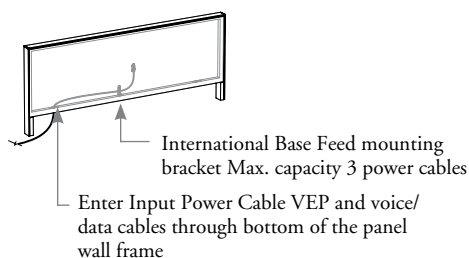
base feed

- The Input Power Cable (VEP) enters and is secured to a Base Feed Bracket (UNXPF) fastened to the panel wall rail (either standard or elevated)
- On flush panel walls entry is through a cut out to the fascia made on site and finished with the supplied cover plate
- On elevated panel walls the cable enters through an opening in the bottom of the panel wall frame
- Accepts one circuit per cable

Flush Panel Wall



Elevated Panel Wall



ceiling feed

- Is available hard wired or with a plug for building connection
- The other end is a female connection
- Compatible with the Off-Module Power Pole and End of Run Power Pole (See Electricians section for more details)

