



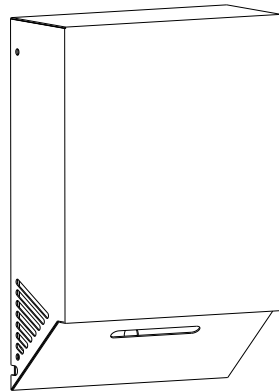
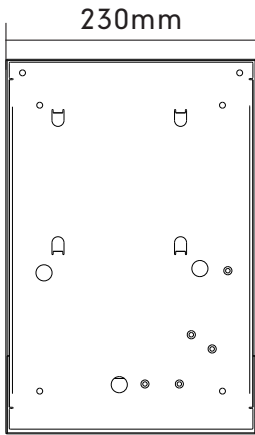
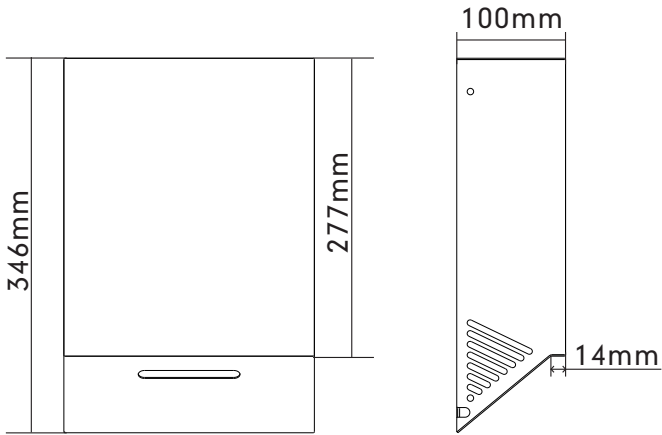
Automatic Hand Dryers

**Ultra Hand Dryer**  
Instructions Manual

# Table of Contents

Product Dimensions	3
Product Features, Technical Specifications & Package Contents	4
Installation & Safety Guidelines	5
Installation Instructions	6
Operation Guidelines	8
Cleaning & Maintenance Guidelines	9
Warranty Details	10
Notes	11

# Product Dimensions



# Product Features, Technical Specifications & Package Contents

## Product Features:

- Users can enjoy an ultra-fast drying time of just nine seconds!
- Its contemporary, sleek, ergonomic design makes this an exceptionally stylish dryer.
- Heavy duty stainless steel casing gives excellent ongoing protection against corrosion and vandalism.
- The automatic 'no touch' operation ensures impeccable hygiene.
- Eco-mode switches inside the casement allow you to adjust power consumption to help reduce cost and carbon footprint.
- No unnecessary energy wastage thanks to the automatic cut-off.
- Reduced noise levels make this one of the quietest and most discrete dryers in any class.
- Stylish LED indicator clearly shows when dryer is in use.
- Built-in removable HEPA filter for hygienic operation with filtered air.
- Easy to install and maintain.
- Finishes available in Brushed Metal, Chrome and White.

## Technical Specifications:

- Shell material: 304 Stainless Steel
- Standard finishes: Brushed Metal, Chrome, White
- Rated voltage: AC 220-240V
- Rated frequency: 50 / 60 Hz
- Rated power: 700W (300W motor / 400W heater)
- Installation: wall mounted
- Drying time: 9 seconds
- Air speed: 100 M/s
- Noise output: 70dB
- Operation: infrared automatic 'no touch'
- Timing protection: 60 seconds auto cut off
- Thermal protection: cut off above 70C
- Drip proof: IPX4
- Filter: HEPA filter
- Unit dimensions: 230mm W x 346mm H x 100mm D
- Net weight: 4.5 kg
- Warranty: 2 Years
- Certification: CE, RoHs

## Package Contents:

- Hand dryer
- Fixtures and fittings
- User manual and installation guide

# Installation & Safety Guidelines

- All electrical installation and repair work should be carried out by a qualified electrician in accordance with current local codes or regulations.
- Do not attempt any disassembly or modification of the unit that is not expressly stated in this manual.
- Do not install when the product (power cable) is electrified.
- Install securely in a location strong enough to support the weight of the unit.
- Install the hand dryer on a smooth surface and in an area where people are not likely to collide with the object once installed.
- Do not scratch, damage, process, excessively bend, pull, twist or bundle the power cable, and do not place heavy objects onto it or trap it.
- Do not use in a hot location such as a shower room, where condensation may form on the unit, or where water may splash directly at the unit.
- Do not install this hand dryer above sources of water such as sinks or taps.
- Do not install in locations where salt damage may occur, or where corrosive, neutral, or reductive gases are present.

# Installation Instructions

## 1) Remove the dryer cover:

- Remove the four screws holding the outer cover in place.
- Disconnect ribbon cable attached to front sensor.

## 2) Drill the fixing points:

- Offer the installation panel up to the mounting surface and mark the four fixing points through the holes in the backplate. Drill the four marked fixing holes and insert the supplied wall plugs. Offer the installation panel up to the wall, and insert the four fixing screws through the panel into the wall plugs.

## 3) Wire the unit:

- Wire the unit accordingly. Choosing the cable entry point either through the rear panel or in through bottom left.

## 4) Fix the unit in place:

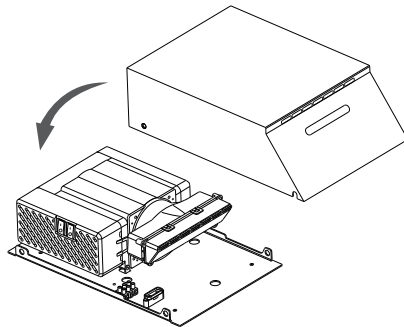
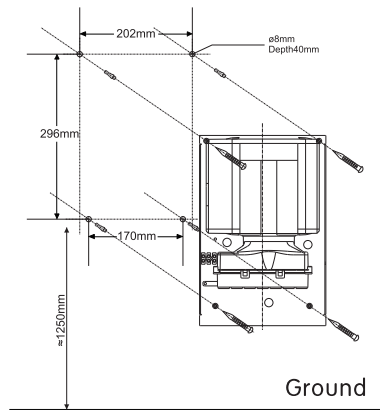
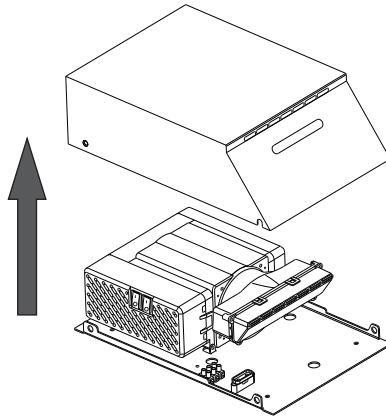
- Reconnect the ribbon cable to the sensor on the dryer cover.
- Check that the power cable is not trapped behind the unit.
- Gently press the dryer cover into place and fit the four screws through the case.

## Recommended Mounting Heights:

Measurements are from the lower set of fixings on the back panel to the floor level.

- Mens / Ladies: 1250mm.
- Disabled / Children: 1030mm.

# Installation Instructions



# Operation Guidelines

1. Before inserting hands under the dryer, shake off any excess water.
2. This hand dryer incorporates no touch sensor activation for hygienic use. Simply place your hands within the air outlet compartment and the hand dryer will be automatically activated.
3. Remove your hands away from the air outlet and the hand dryer will be deactivated after 2 seconds.
4. The hand dryer will automatically cut off after running for 30 seconds if the sensor is activated for this period. If need be, remove hands from the sensor and return your hands and the dryer will re-activate.

# Cleaning & Maintenance Guidelines

Cleaning and maintenance should be carried out by service personnel only, after ensuring that the unit is disconnected from the power supply. It is recommended that cleaning be carried out regularly every week.

## A) Cleaning the unit body

1. Simply wipe down the exterior of the dryer with a damp cloth, removing any build of up dirt, paying particular attention to the sensor.

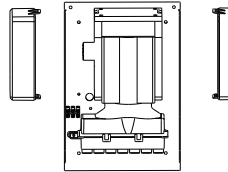
## B) Cleaning the air filter

1. Remove the casing from the dryer unit.
2. Replace the air filter every three months, following the guidelines below.

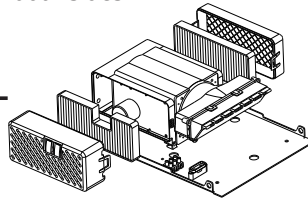


If air speed drops, please replace the filters. We suggest to replace these every three months.

- 1 Open the two side covers as shown, carefully removing connection wires to the switches

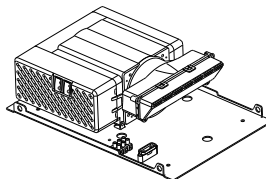


- 2 Take the filters out of both sides



- 3 Replace with new filters

- 4 Close the two side covers



## Warranty Details

- All Tekflo Hand Dryers are guaranteed to be free from defects in parts and manufacture for 2 years from the date of purchase, provided that the product is used under the normal operating conditions stated within the manual.
- The warranty is only available to the original purchaser and is not transferable. Your consumer rights are not affected.
- If there are any defects with your hand dryer please contact the provider stating your invoice number, date of purchase, full name and address.
- Do not attempt to repair or take apart the hand dryer your self. If the hand dryer has been tampered with before it arrives with us, the warranty will be void.
- We advise that all customers retain original packaging should the unit need to be returned.
- If your hand dryer occurs a problem outside of the warranty period, we offer a repair service where we can collect and professionally repair your hand dryer.

# Notes



Automatic Hand Dryers

Visit [www.tekflo.com](http://www.tekflo.com) or email [enquiries@tekflo.com](mailto:enquiries@tekflo.com)  
for more information