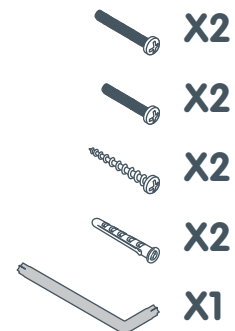
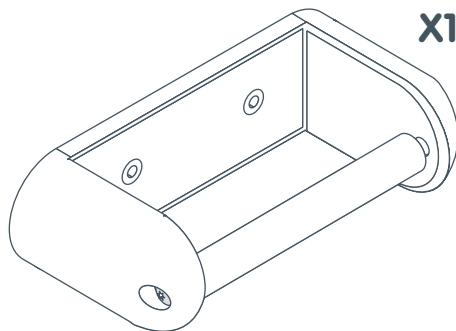




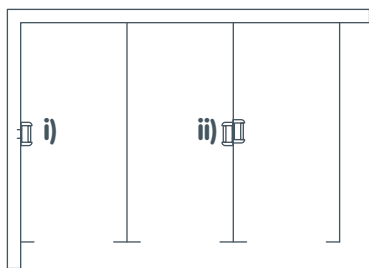
## Components

- 1 No. Toilet roll holder body  
(complete with spindle and locking screw)
- 2 No. M6 x 35mm pan head pozidrive screw
- 2 No. M6 x 30mm pan head pozidrive screw
- 2 No. 1 3/4" x No 10 pan head pozidrive screw
- 2 No. Rawl plugs
- 1 No. 'T30' torx key

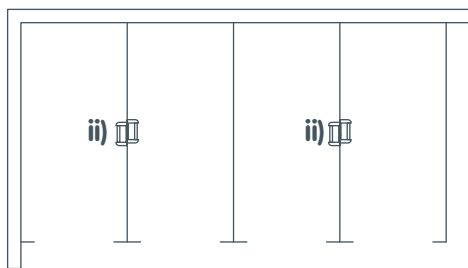


## Typical Cubicle Layout Situation

**Cubicle Situation:  
Odd Numbers, Wall Angle**



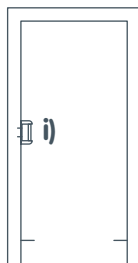
**Cubicle Situation:  
Even Numbers, Wall Angle**



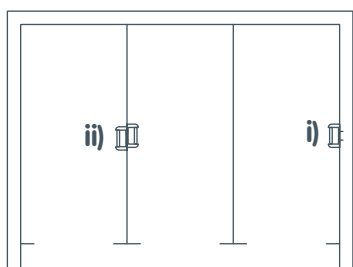
**Cubicle Situation:  
Single, Wall Angle**



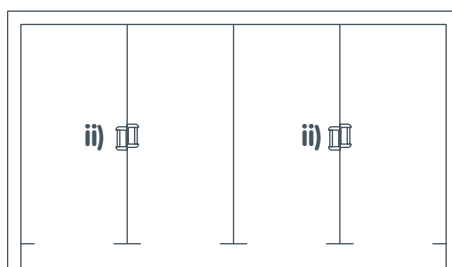
**Cubicle Situation:  
Single, Between Walls**



**Cubicle Situation:  
Odd Numbers, Between Walls**



**Cubicle Situation:  
Even Numbers, Between Walls**

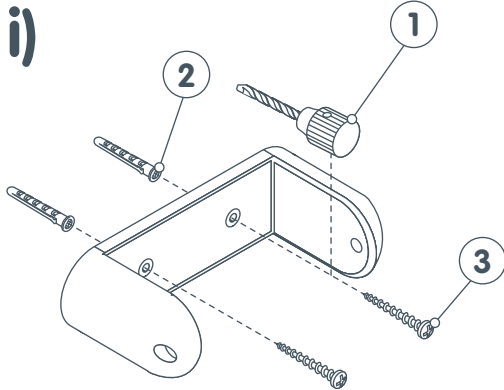


**i) Structural Wall Fixing**

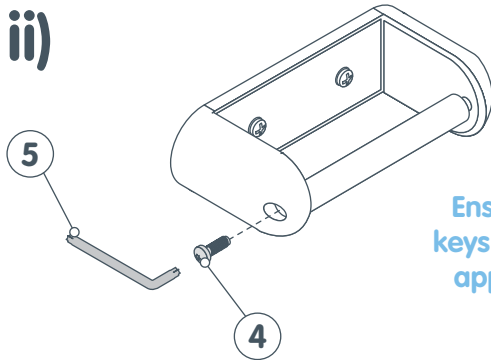
**ii) Back to Back Fixing  
Offset = 20mm**

## Structural Wall Fixing Details

Please remove spindle before proceeding:



1

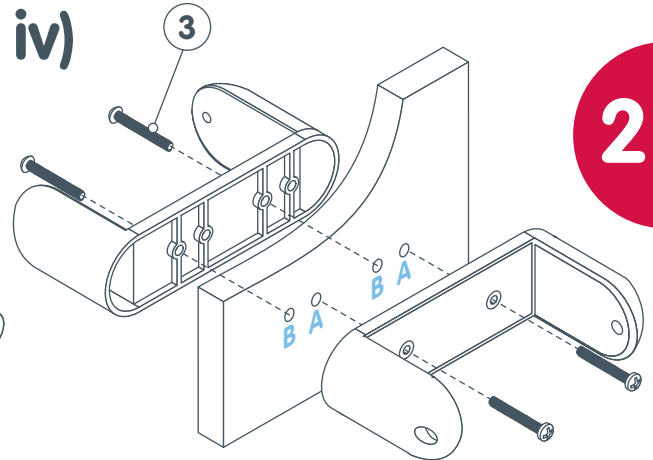
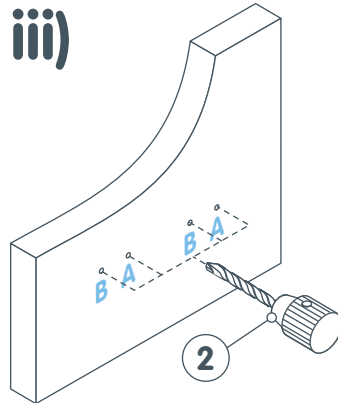
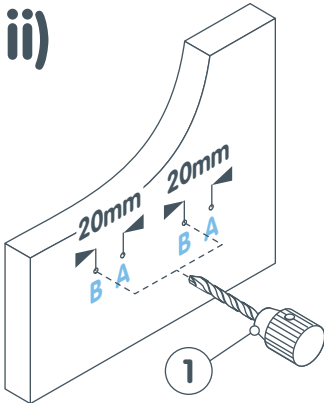
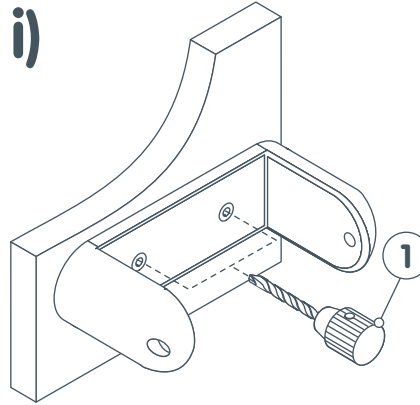
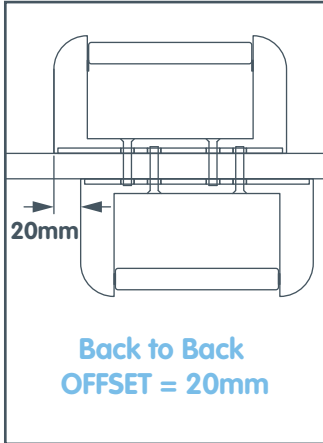
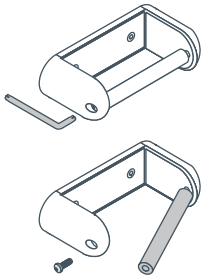


Ensure that all 'T30' keys are passed to the appropriate person

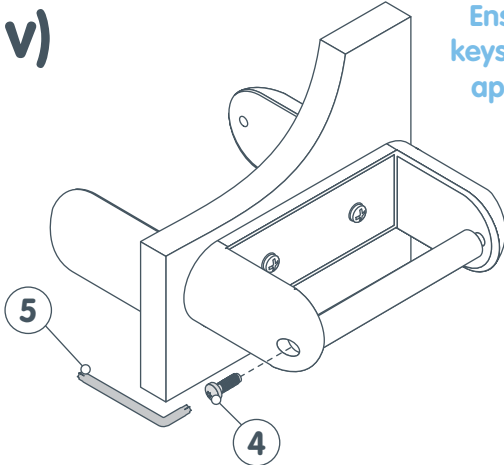
1. Drill to suit
2. Rawl plugs
3. 1 3/4" x No 10 pan head pozidrive screws
4. Torx head screw
5. 'T30' torx key

## Back to Back Fixing Details

Please remove spindle before proceeding:



2



Ensure that all 'T30' keys are passed to the appropriate person

1. Drill 3mm dia. through hole
2. Drill 7mm dia. through hole
- 3a. M6 x 35mm pan head pozidrive screw (HPL/MFC only)
- 3b. M6 x 30mm pan head pozidrive screw (SGL only)
4. Torx head screw
5. 'T30' torx key

Amwell Systems Ltd  
Buntingford Business Park  
Baldock Road  
Buntingford  
Herts SG9 9ER  
England

T +44 (0)1763 276200  
F +44 (0)1763 276222  
contact@amwell-systems.com

www.amwell-systems.com

629-02-03