

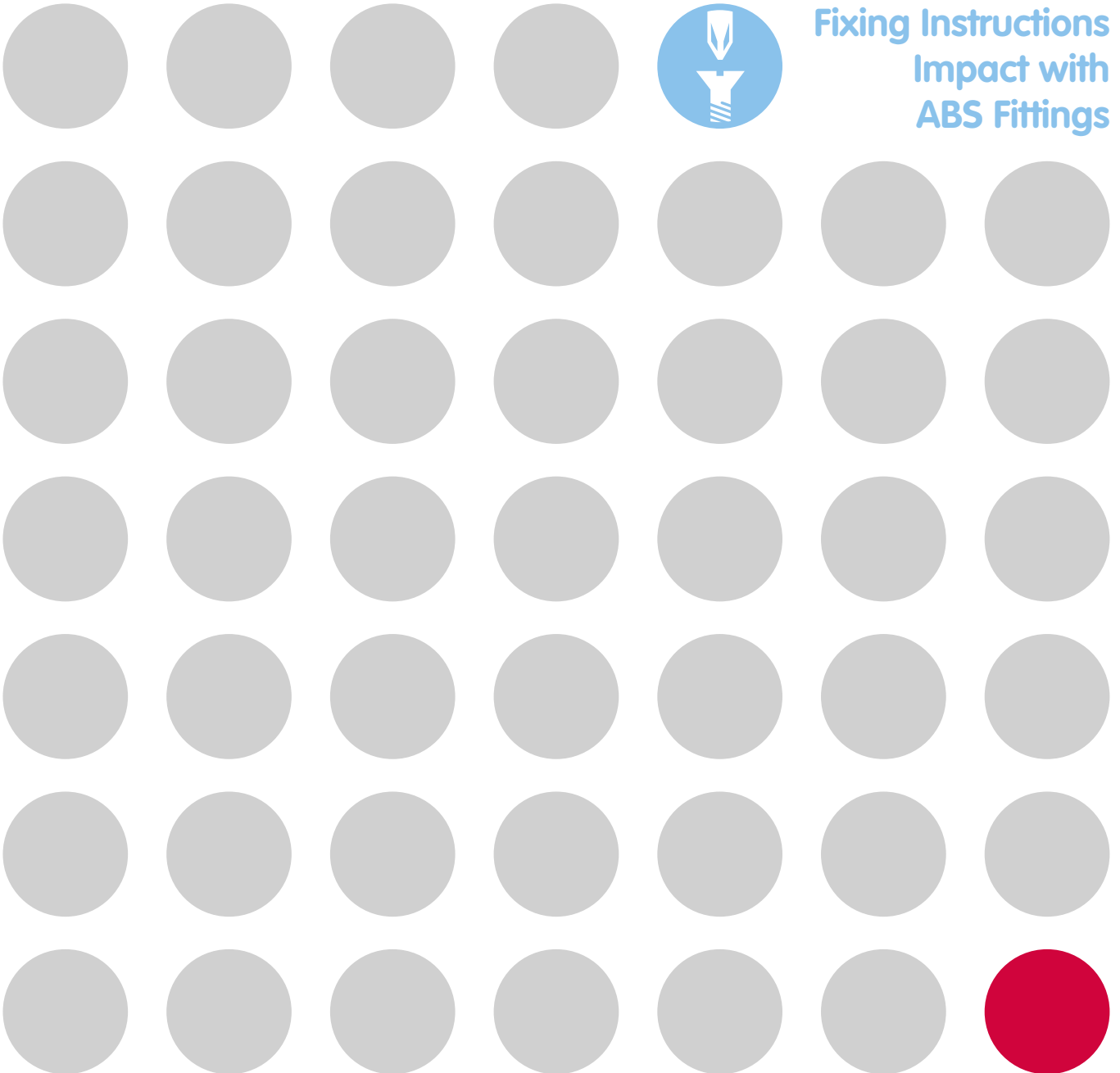


Amwell

Washrooms from concept to completion



**Fixing Instructions
Impact with
ABS Fittings**



Introduction

Please assemble your cubicle system by referring to these installation instructions and the layout drawing supplied.

Safety

Before any holes are drilled on site we suggest a suitable detector is used to locate hidden electrical and water services.

We advise the use of eye & ear protection when using power tools.

Prerequisites

Ideally cubicles should be installed onto a level surface.

Secure Fixing

It is vital that the structural integrity of walls, ceilings and floors is capable of taking the dynamic and static loads imposed by the fixings to support vanity units, cubicle and duct systems. Insufficient structural integrity will invalidate guarantees.

The surfaces being fixed into should be firm and stable, without deflection and have good fixing retention properties over the length and width of the bearing surface.

Particular care should be taken with studwork walls and suspended ceilings which will usually require the inclusion of a pattress to sufficiently strengthen the structure.

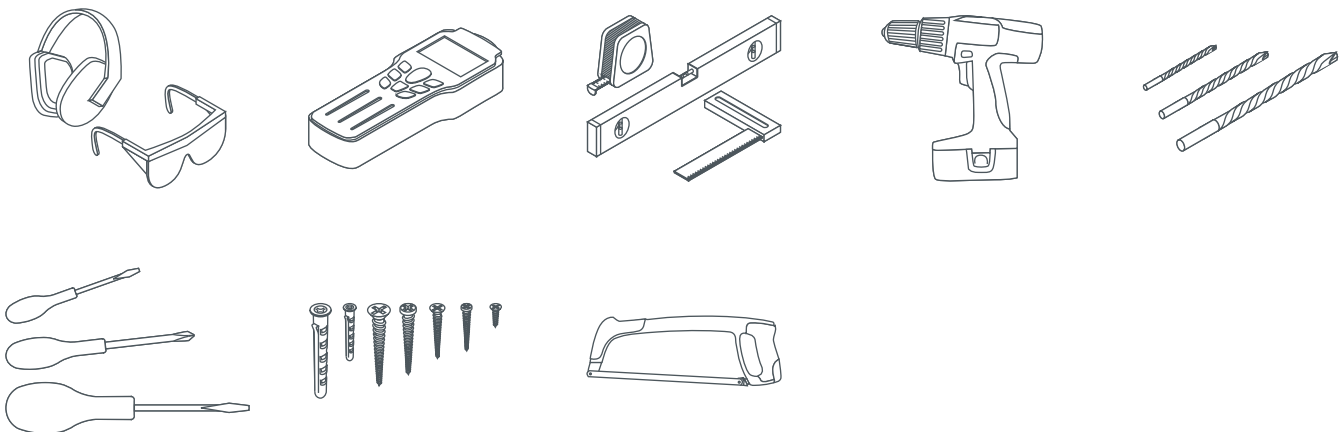
Poor security of fixings will compromise performance and could lead to failure of the vanity units, cubicle or duct systems.

Important Note

Do NOT overtighten fasteners, if using power drivers make sure that the torque settings are correct.

All fasteners supplied are for solid structures: for any other structures such as cavity walls/ceilings etc. please consult your nearest fasteners expert and use appropriate fasteners.

Toolbox

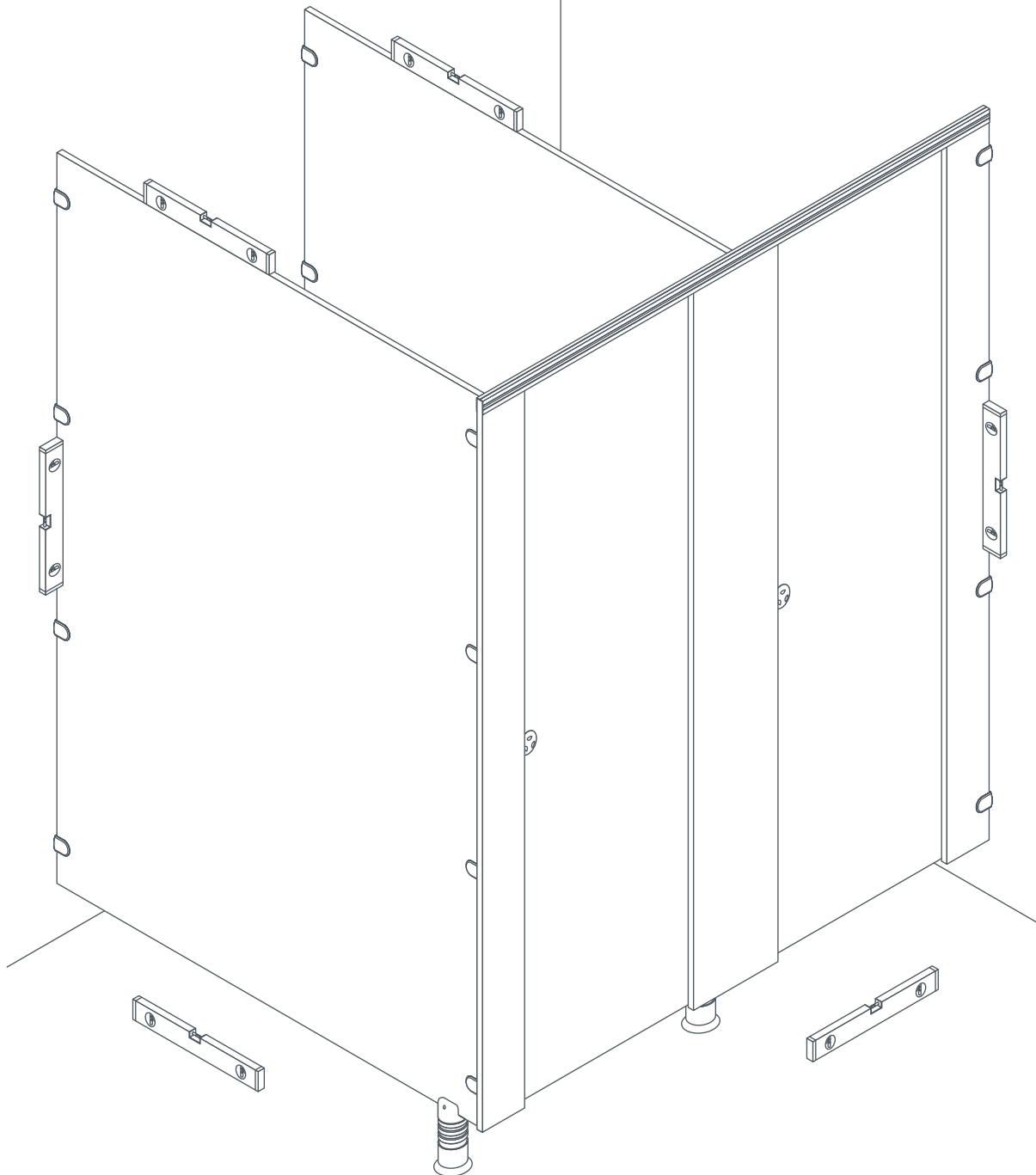


Cleaning & Maintenance

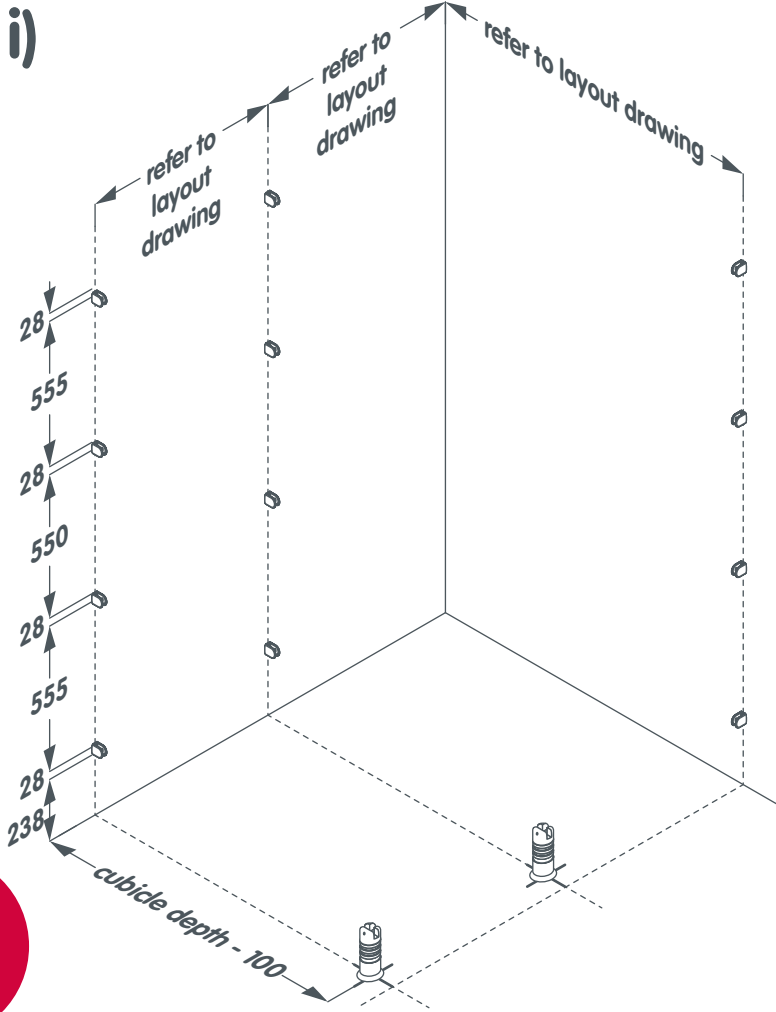
Please consult our cleaning & maintenance guide.



- These cubicles require careful setting out. Installers should be highly experienced and be qualified to a carpenter level.
- Before installation, if in any doubt about how to install the product please contact our technical department.
- **PPE:** Wear personal protection equipment at all times.
- **Setting Out:** Use Amwell layout drawings.
- **Cubicle Width:** Refer to layout drawings.



Channel Bracket & Pedestal Fixing Details

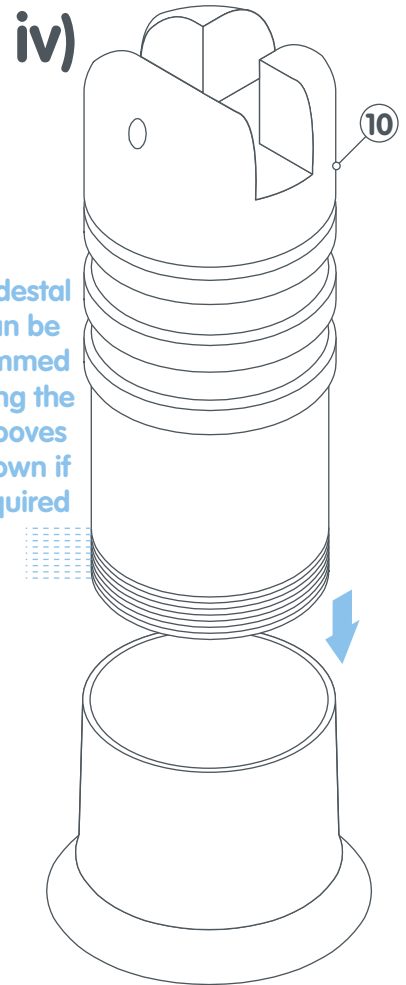
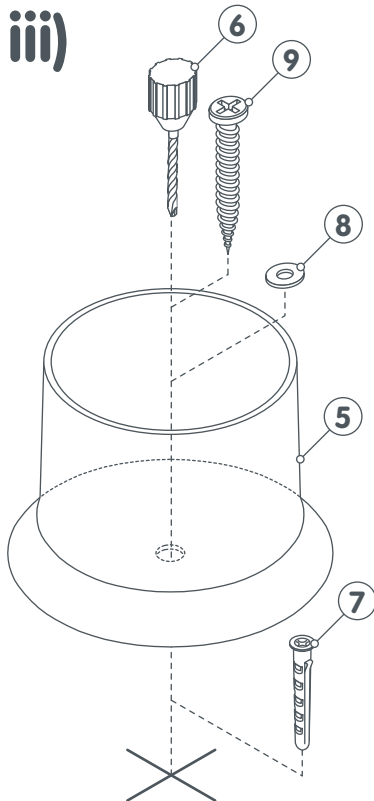
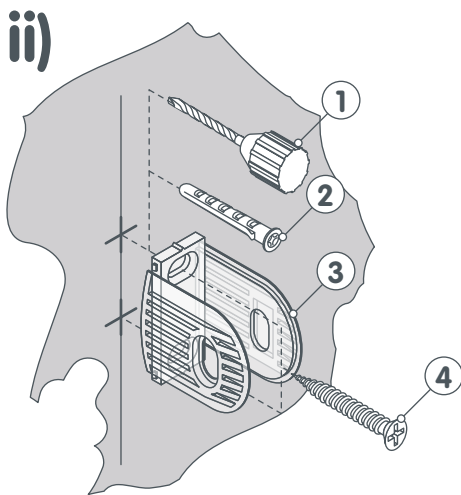


1. Drill wall to suit
2. Rawl plug
3. Channel bracket
4. No.8 x 2" csk screw
5. Pedestal base
6. Drill floor to suit
7. Rawl plug
8. Washer
9. No.12 x 1³/₄" pan head screw
10. Pedestal body

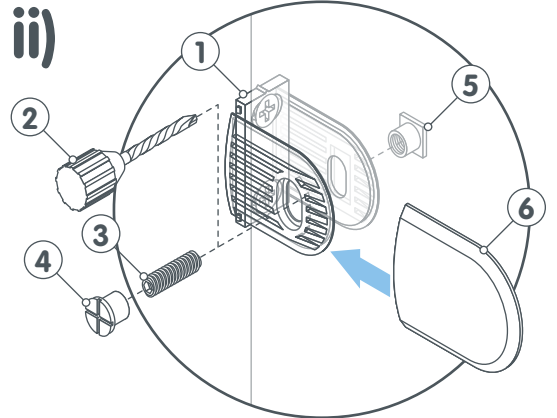
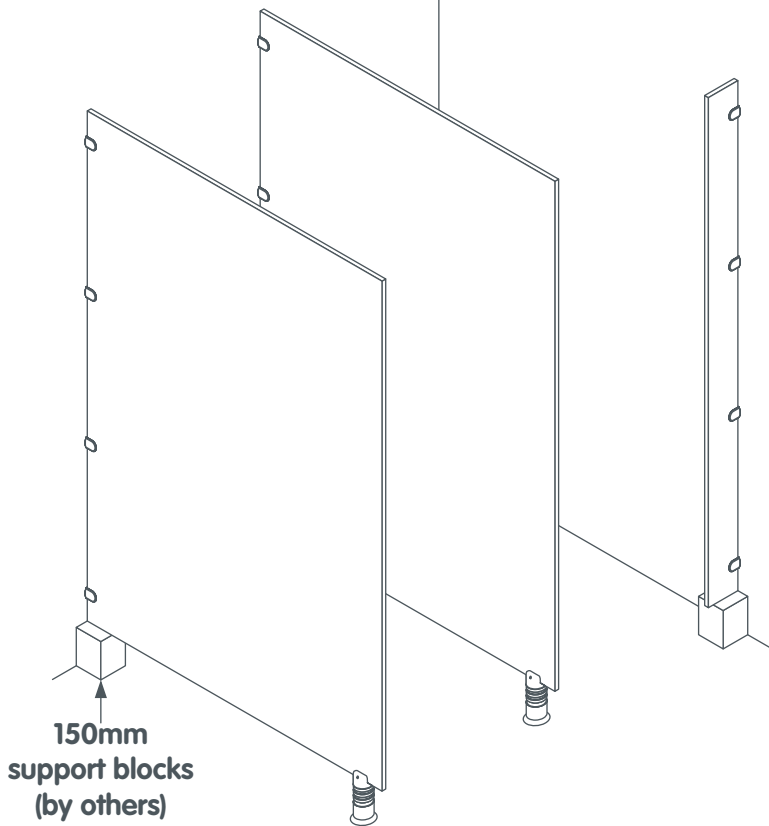
All dimensions are in millimetres

Ensure walls are level prior to installation

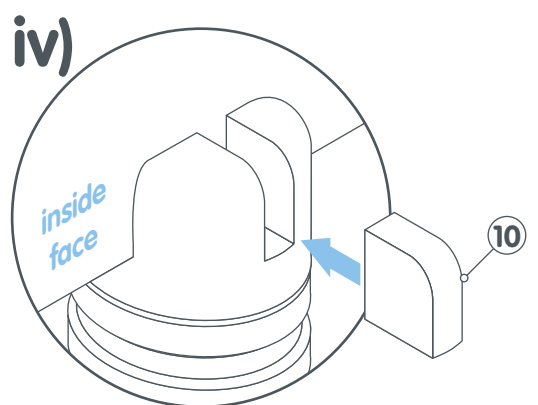
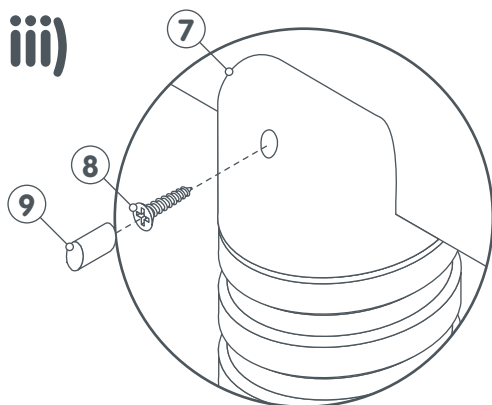
1



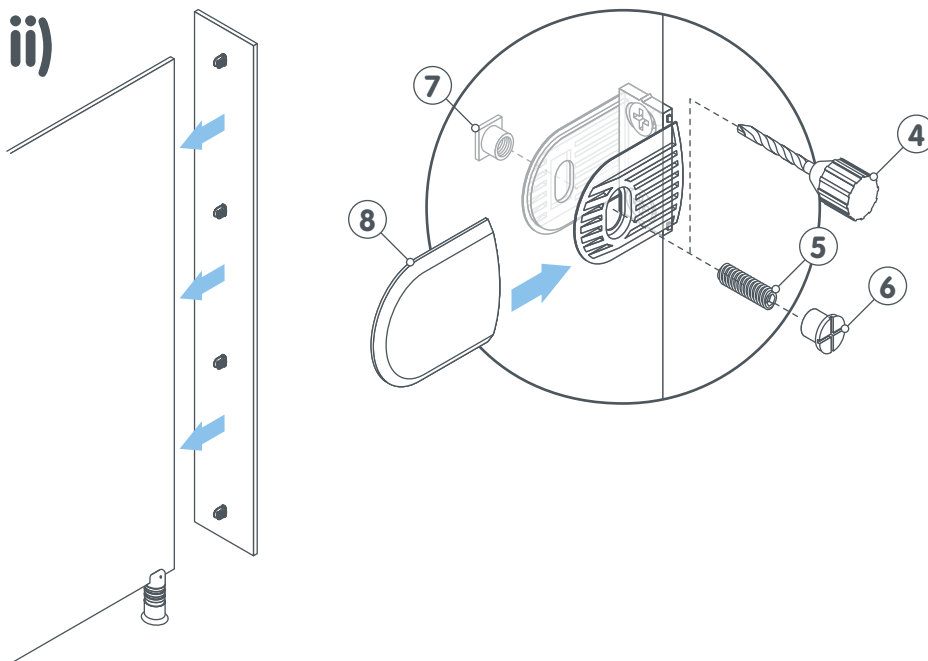
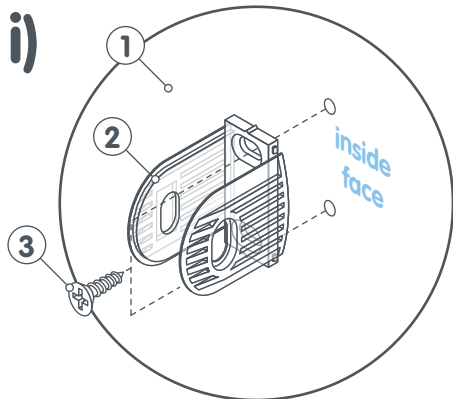
i) Position divisions/pilasters



2

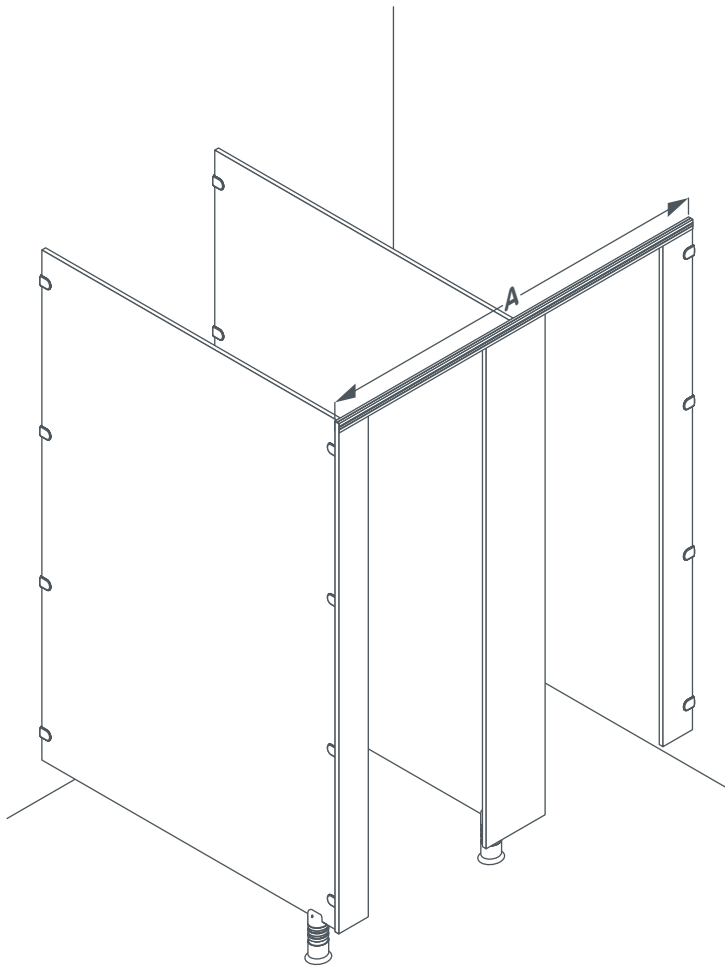


- | | |
|-------------------------------|--------------------------|
| 1. Channel bracket | 6. Cleat cover |
| 2. Drill 8.5mm Ø through hole | 7. Pedestal |
| 3. M6 x 20mm grub screw | 8. No.8 x 3/4" csk screw |
| 4. Phillips head screw cap | 9. Screw cover cap |
| 5. Square end screw cap | 10. Pedestal infill |



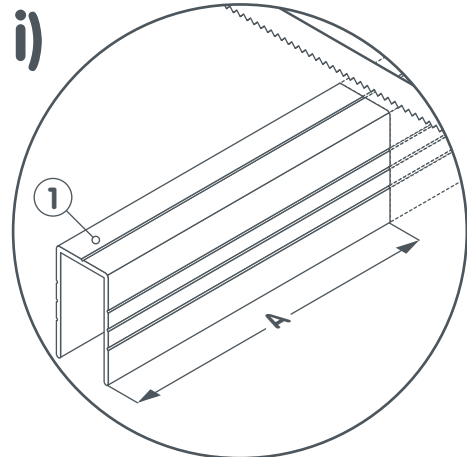
3

1. Pre-drilled pilaster
2. Channel bracket
3. No.10 x 3/4" csk screw
4. Drill 8.5mm Ø through hole
5. M6 x 20mm grub screw
6. Phillips head screw cap
7. Square end screw cap
8. Cleat cover



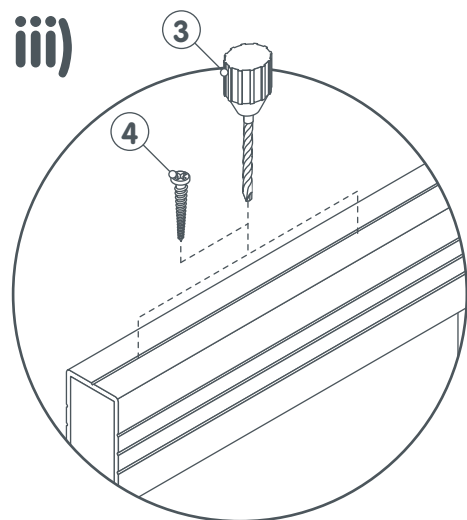
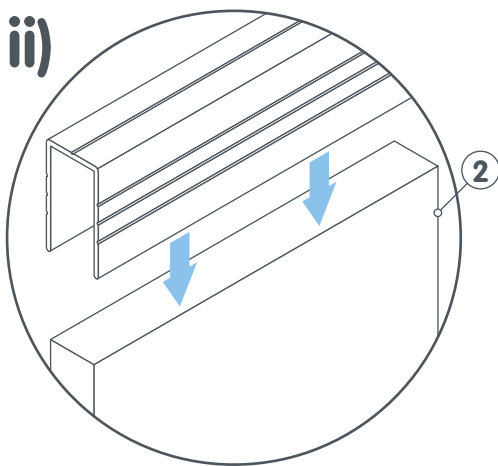
IMPORTANT NOTES:

- Ensure cut end is against wall
- For cubicle runs longer than 3 metres, join centrally above an intermediate pilaster



A = total width of cubicle run

4

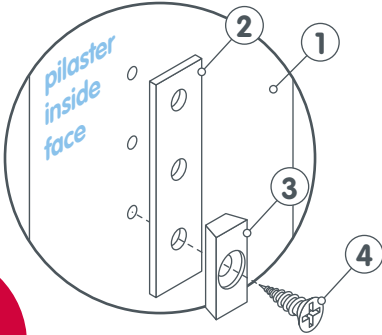


Two fixings required per pilaster

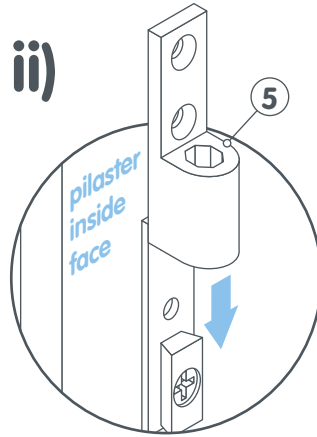
1. Headrail
2. Pilaster
3. Drill 3mm Ø x 10mm deep pilot holes
4. No.12 x 5/8" screw

Outward opening doors are fixed to the pilaster front face

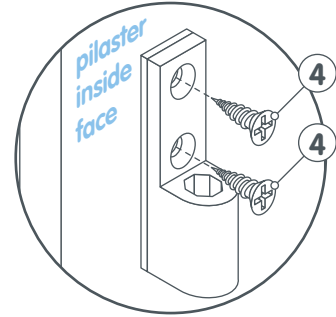
i)



ii)

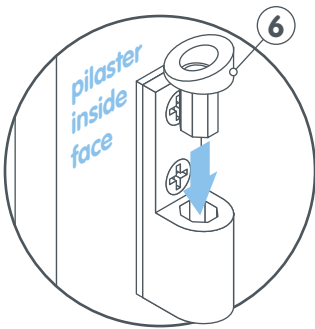


iii)

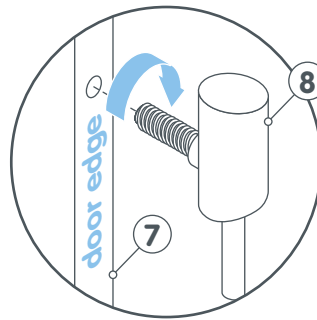


5

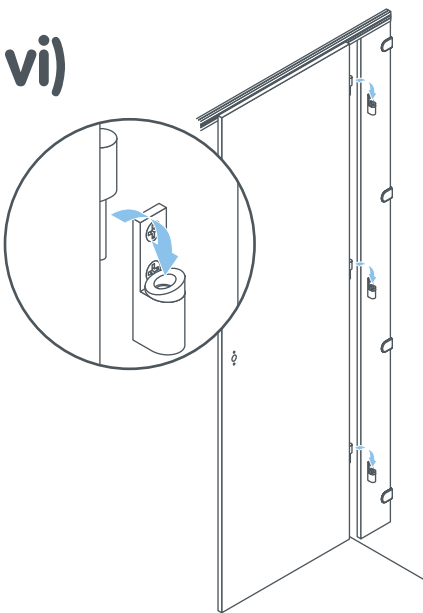
iv) Fit in direction to achieve required door resting position



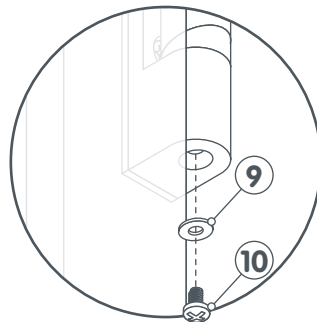
v)



vi)

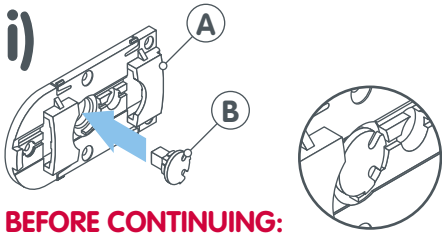


vii) DO NOT proceed if doors are required to be lifted off

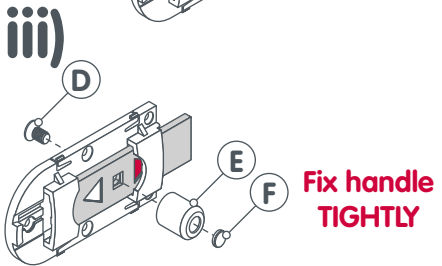
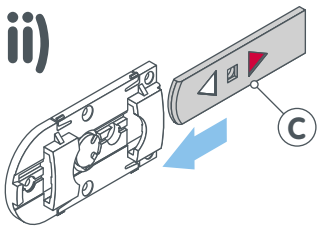


- | | |
|---------------------------|---------------------|
| 1. Pilaster | 6. Nylon cam |
| 2. Packing plate | 7. Door |
| 3. Dovetail plate | 8. Hinge top |
| 4. No.12 x 3/4" csk screw | 9. Washer |
| 5. Hinge body | 10. Retaining screw |

A: Indicator Bolt Assembly Details



BEFORE CONTINUING:
Cam must rotate freely 180° and be placed in position shown

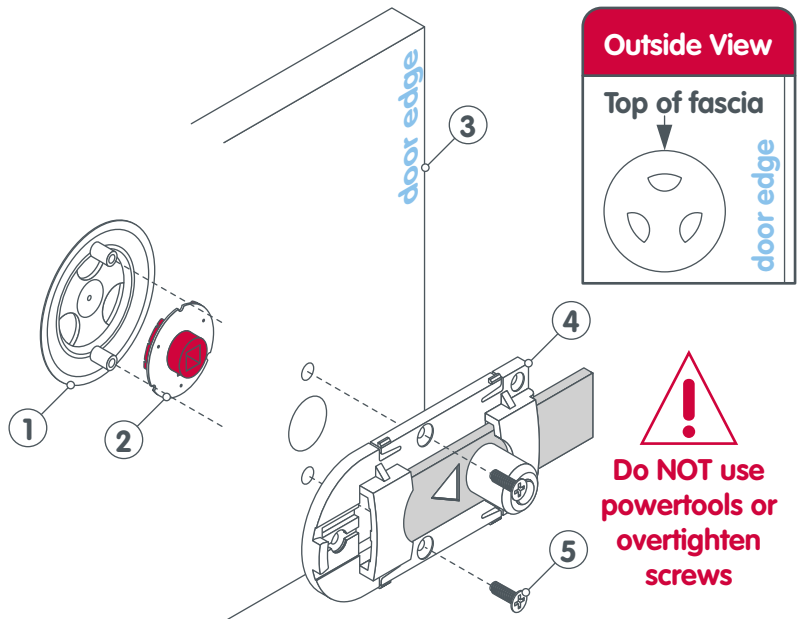


Fix handle TIGHTLY

- A. Base
- B. Cam
- C. Shoot bolt
- D. M6 x 12 csk pozi (ny-lock) screw
- E. Handle
- F. Self adhesive buffer

i) BEFORE FIXING FASCIA:

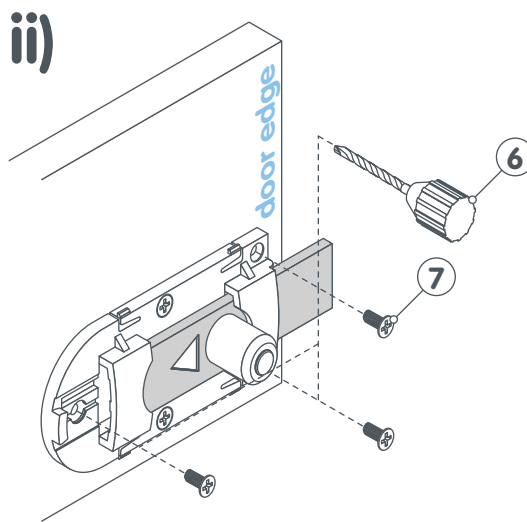
- Indicator bolt must be pressed against red and white
- Indicator bolt must be in closed position



Outside View

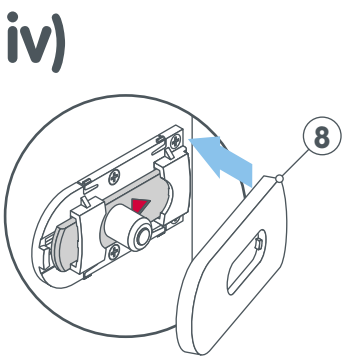
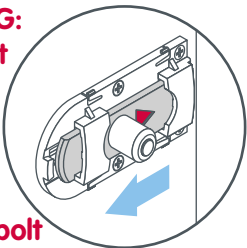


Do NOT use power tools or overtighten screws



iii) BEFORE FITTING:

- Indicator bolt must be in UNLOCKED position
- Ensure free movement of bolt



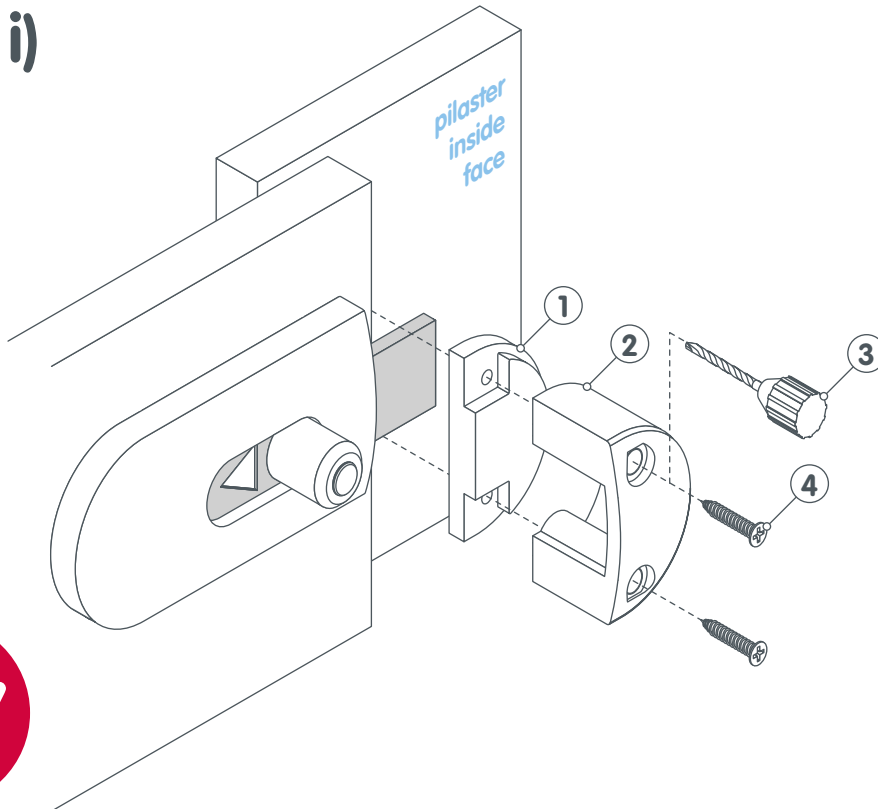
v) Ensure cover is fully pushed on and sits flat



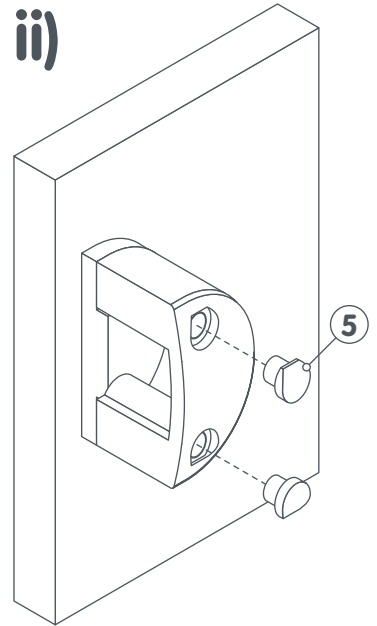
- 1. Fascia
- 2. Red and white indicator
- 3. Door
- 4. Assembled indicator bolt
- 5. M4 x 20mm csk pozi screws
- 6. Drill 2mm Ø x 8mm deep pilot holes
- 7. Plasfix 45° csk 4 x 12mm machine screws
- 8. Indicator bolt cover

Inward Opening Door Keep Fixing Details

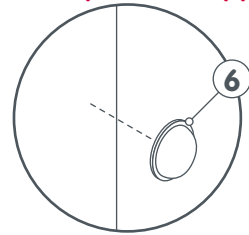
i)



ii)



iii) Apply door buffers at top and bottom of pilaster clapping side

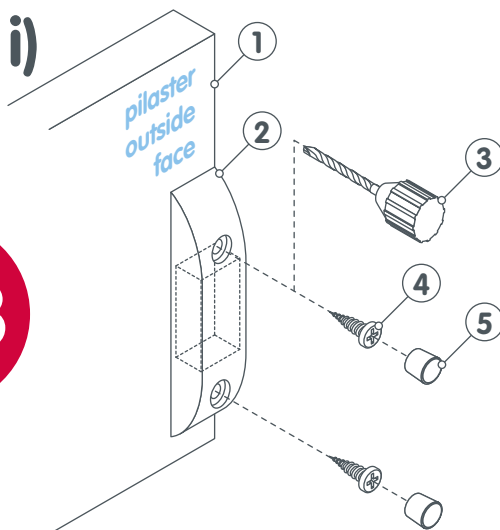


7

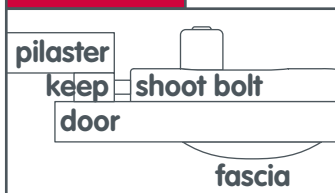
1. Keep spacer
2. Inward opening door keep
3. Drill 2mm Ø x 3mm deep pilot hole
4. No.6 x 1" pozi csk screws
5. Keep plugs
6. Door buffer

Outward Opening Door Keep Fixing Details

i)

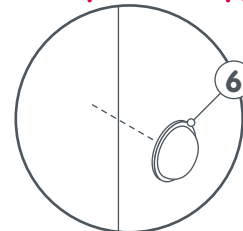


Plan View



ii)

Apply door buffers at top and bottom of pilaster clapping side

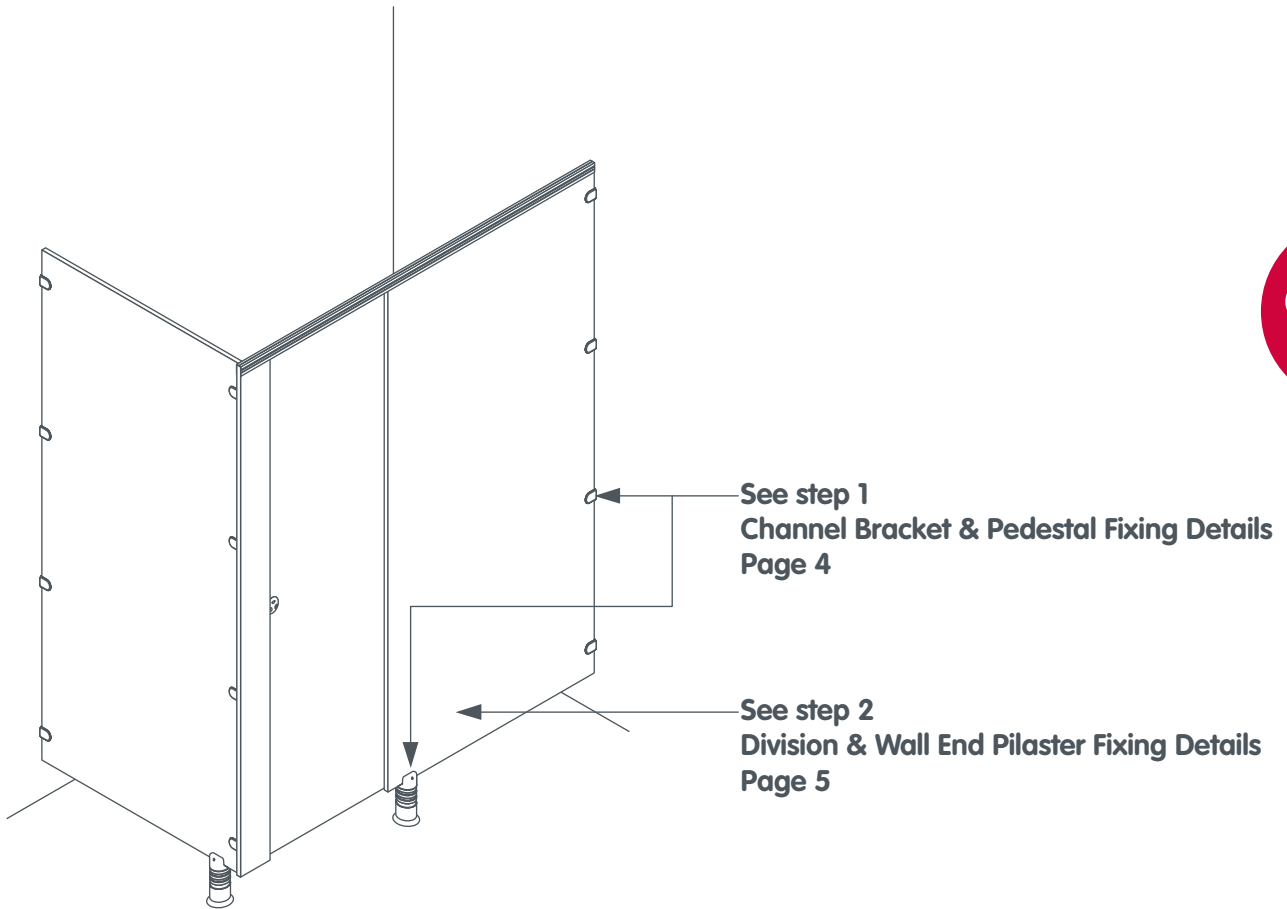


8

1. Pilaster
2. Outward opening door keep
3. Drill 2mm Øx 3mm deep pilot holes
4. No.8 x 5/8" pan head pozi screws
5. Keep plugs
6. Door buffer

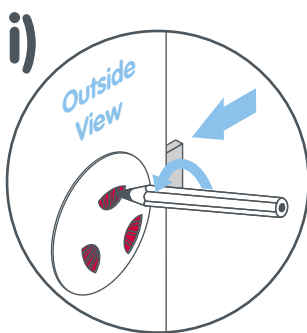
Appendix A: Typical In-Line Variation

9



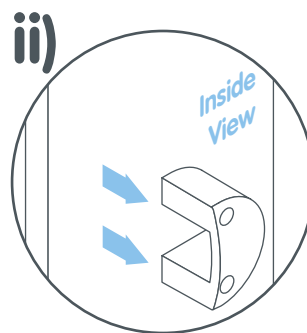
Appendix B: Emergency Release Feature

10



Slide indicator bolt free from keep:

- insert pen/pencil into recess in fascia
- rotate red indicator as shown



Keeps will come away from the pilaster when forced

www.amwell-systems.com

**Amwell Systems Ltd
Ground Floor, Suite 2
Middlesex House
Meadway Corporate Centre
Stevenage
Herts
SG1 2EF
England**

**T +44 (0)1763 276200
F +44 (0)1763 276222
contact@amwell-systems.com**