

Quadrant shower cubicle

Installation instructions

Please read carefully before installing the cubicle
If you require any further assistance please
contact Taplanes on 01423 771645



General

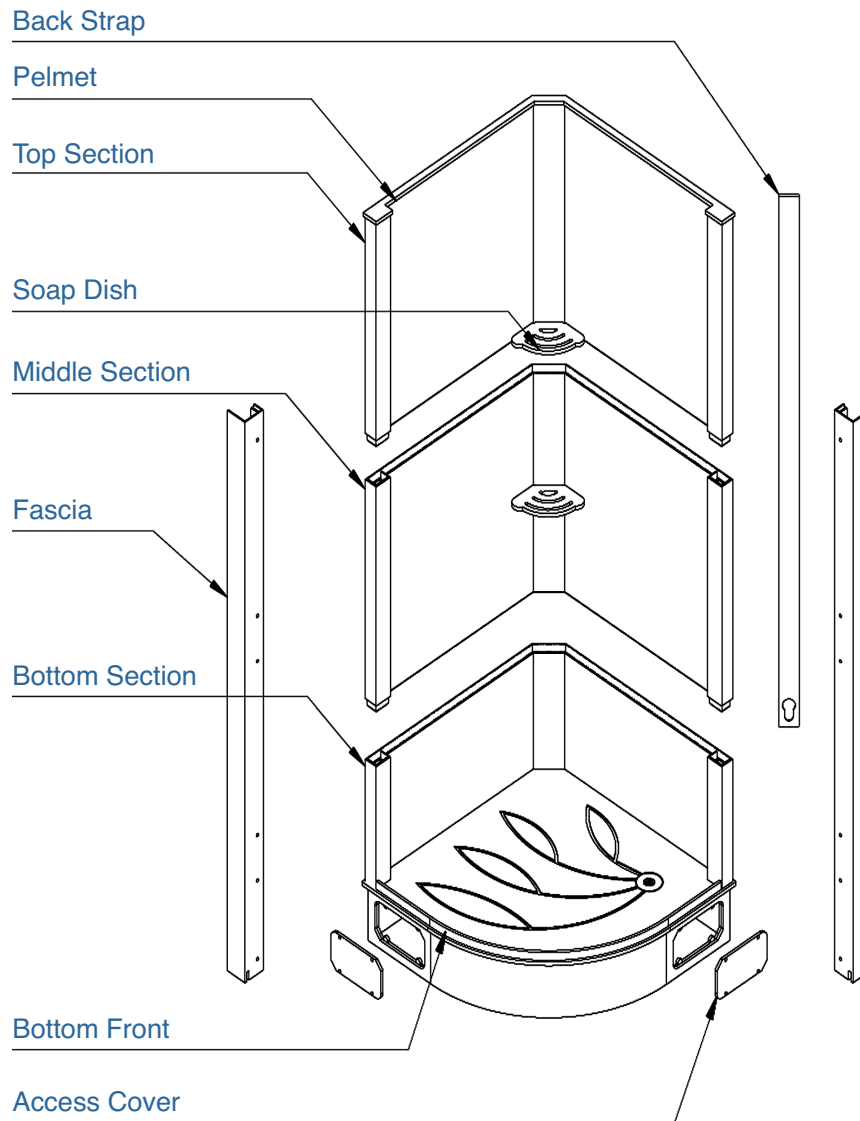
- Cubicle is delivered fully assembled in a protective cardboard sleeve
- Unit disassembles into three built up sections
- No sealant should be used with polypropylene unless stated otherwise, see point 7
- If multiple units are delivered to site it is important to avoid mixing sections. Refer to disassembly instructions
- Ensure that a minimum of 30mm is available above the cubicle height for final assembly
- Cubicle arrives with a protective film. Where this may become entrapped during installation, localised removal will prevent unsightly traces of film on completion. Please take care not to scratch internal surfaces
- If other access holes below the level of the tray are required or when enlarging existing holes, care must be taken not to damage the tray welds, especially at the corners, as this could cause the cubicle to leak. Any large cut-outs will undermine the integral strength of the unit affecting its performance and invalidate any guarantees

Quadrant shower cubicle

Installation instructions



TAPLANES®
SHOWERING SOLUTIONS



Installation

STAGE 1

- Remove the cardboard sleeve. Tear off a section and place in the cubicle as protection for the shower tray during installation.
- Disassemble the cubicle.
- Remove door if fitted.
- Unlatch the rear toggle clamps and detach the back straps.
- Remove inner fascia's and keep screws for reassembly.
- Unfasten screws from beneath the soap dishes.
- Remove top section. Take care not to damage the exposed joints.
- Do not use tools to prise the sections apart.
- Separate the mid sections from the base.

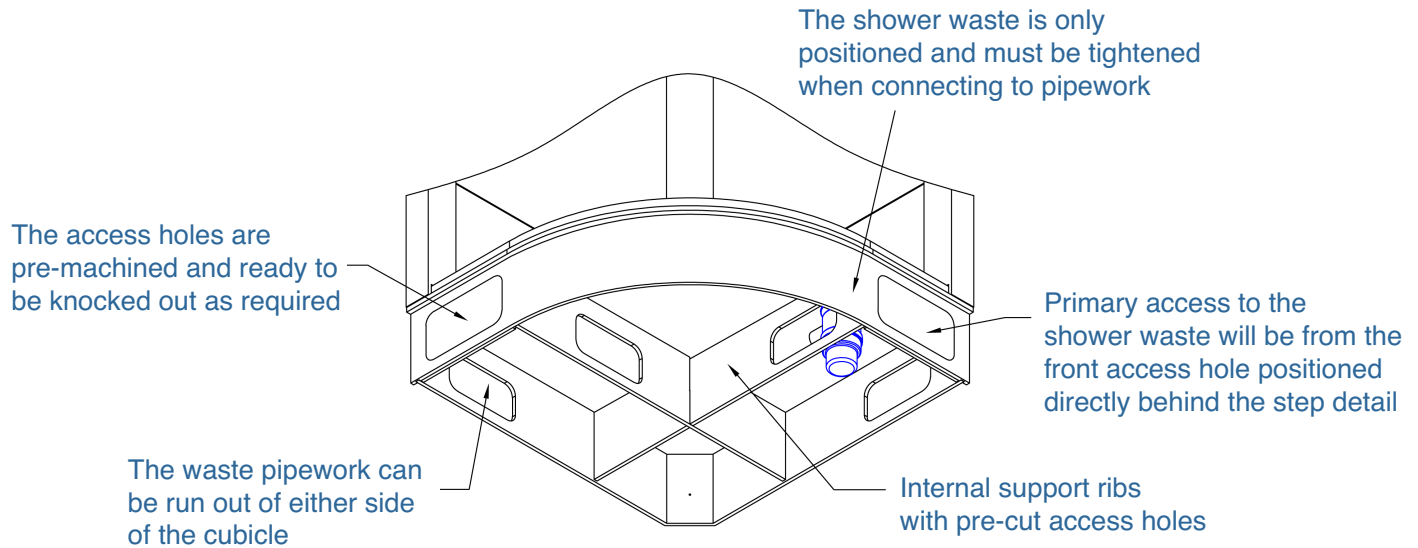
STAGE 2

- Transfer the cubicle to the installation location. Store sections on their side and keep parts together.
- Offer the base section into the location. If the floor is uneven it may be necessary to insert permanently fixed packing pieces under the base to level the cubicle.
- A gap of 75mm should be left at the rear of the cubicle for the operation of the toggle clamps. This can be reduced to 25mm by assembling the units and then pushing it back.
- Complete plumbing. See base detail.

Quadrant shower cubicle

Installation instructions

BASE DETAIL



STAGE 3

- Fit back strap to lower section if access is limited.
- Secure base section into position
The shower cubicle is structurally dependent on the building, and is designed to be located in the corner of a room against two walls. Anchorage is recommended to protect the plumbing and stabilise for rough usage. Right angled brackets or batons may be used to fix the unit from the base section to the floor. Ensure that all screws are at least 25mm below the level of the cubicle floor.
- Secure the cubicle to the walls.
Using screws suitable for the type of wall the cubicle is to be located against, drill and fix through the door pillars only.

NOTE: Care should be taken to ensure that you locate your wall fixings screws in positions that will be hidden by the door frame but avoid conflict with the door frame fixing screws.

- Refit fascias to the door pillars.
Using No 10 3/4" self tapping screws supplied.
- Fit door. Refer to the relevant instructions supplied to install door.
Please ensure the door is located on the tray floor against the inside of the bottom front within the cubicle. Secure the door frame to the pillar fascias.
- Remove any protective film. Refer to cleaning instructions supplied to remove any marks.

- Fit cover caps. All exposed screw holes are to be covered.
- If the product is supplied with a mixer console, please refer to local regulations with regards to the Legionella procedures for the mixer, shower head and associated pipe-work.

DIMENSIONS (mm): 850(w) x 850(d) x 2250(h)

WEIGHT: Approximate weight of unit without door is 59kg, with door 104kg

CLEANING

- We recommend a strong alkaline non-abrasive detergent/cleaner, preferably with a biocide, to clean the cubicle, followed by a thorough rinse.
Note: Care must be taken when using some of the propriety cleaners being marketed. Some are exothermic when mixed with water, and the excess heat could damage the plumbing.
- The design of the trap allows for easy cleaning by removal of the grid plate.

If you require any further assistance please contact Taplanes on 01423 771645