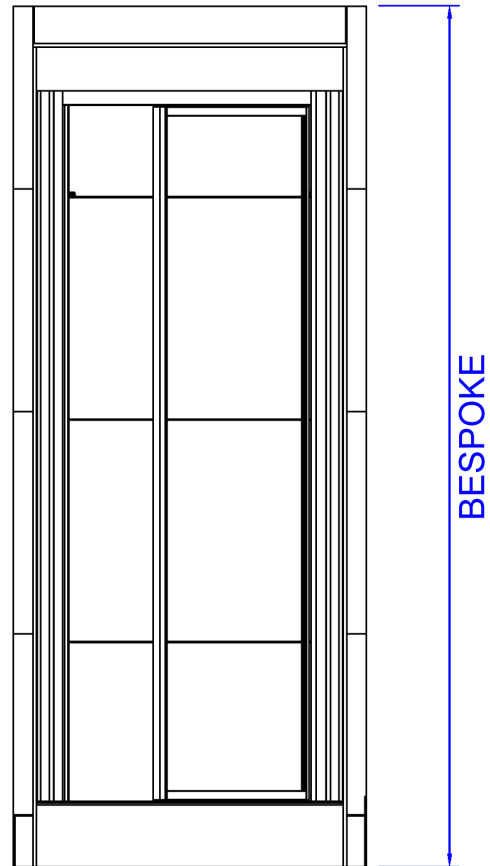
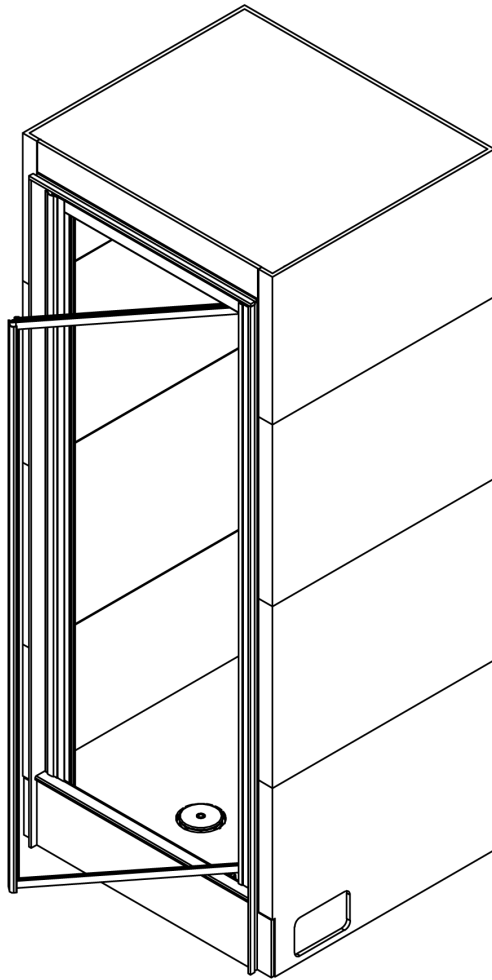


Prima shower cubicle

Sectional enclosure



MATERIAL

Polypropylene

WEIGHT

80KG

COLOUR

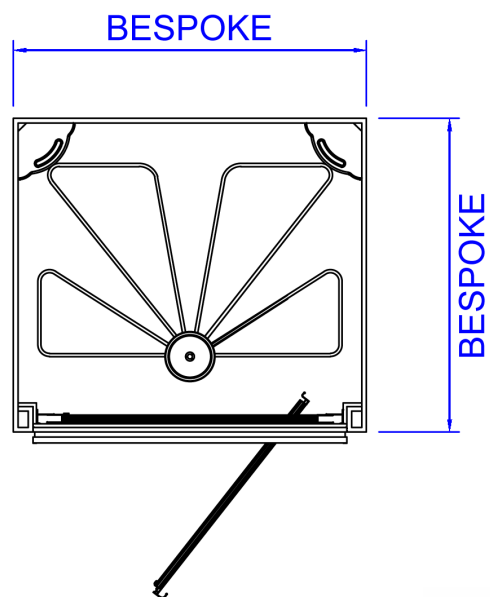
White, Fleck Grey, Champagne

DIMENSIONS (mm)

Bespoke

25 YEAR GUARANTEE

PATENT NO. Available on request



AutoCAD

Taplanes Limited

Station Court
Nidd
Harrogate
North Yorkshire
HG3 3BN

Enquiries

Telephone 01423 771 645
Fax 01423 771 916
Email admin@taplanes.co.uk
www.taplanes.co.uk



TAPLANES[®]
SHOWERING SOLUTIONS