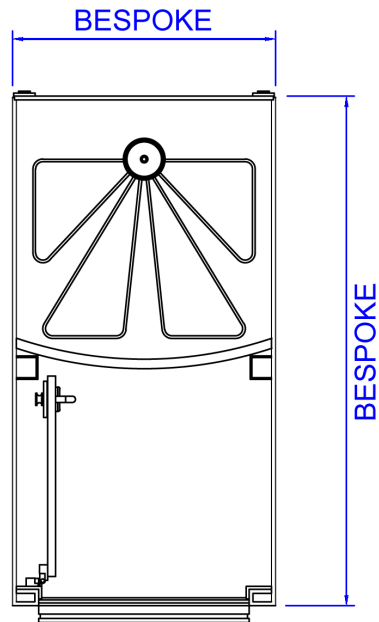
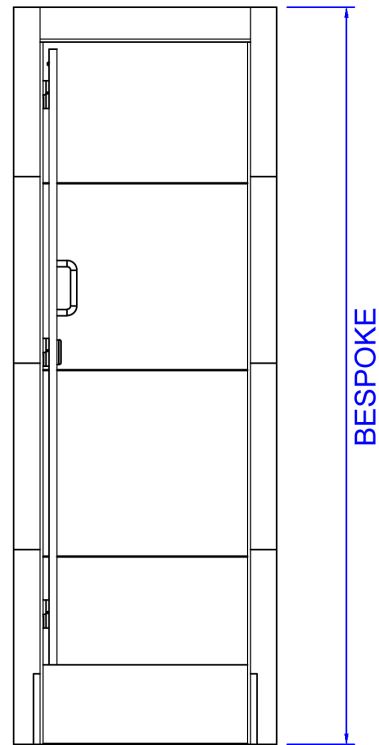
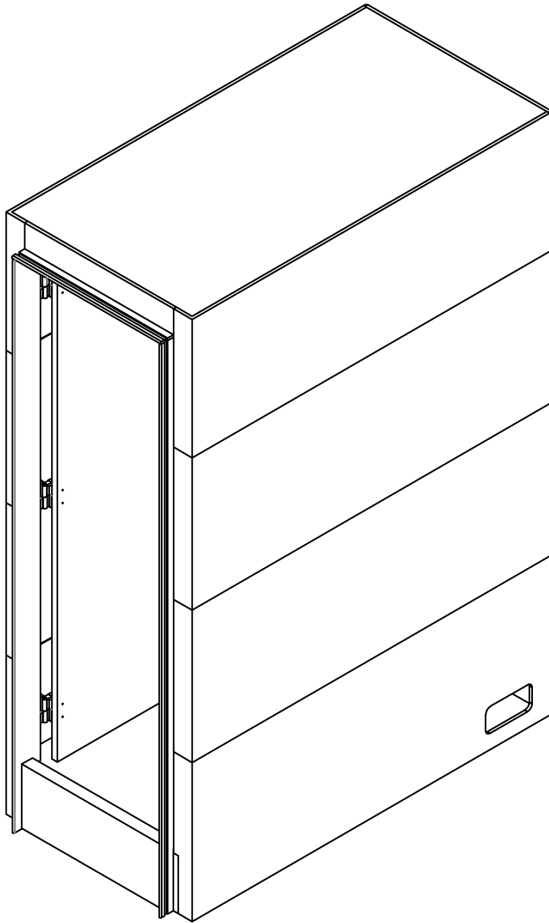


# Mini-Pod

Sectional enclosure



## MATERIAL

Polypropylene

## WEIGHT

160KG

## COLOUR

White, Fleck Grey, Champagne

## DIMENSIONS (mm)

Bespoke

## 25 YEAR GUARANTEE

**PATENT NO.** Available on request

**AutoCAD**

## Taplanes Limited

Station Court  
Nidd  
Harrogate  
North Yorkshire  
HG3 3BN

## Enquiries

Telephone 01423 771 645  
Fax 01423 771 916  
Email [admin@taplanes.co.uk](mailto:admin@taplanes.co.uk)  
[www.taplanes.co.uk](http://www.taplanes.co.uk)



**TAPLANES**<sup>®</sup>  
SHOWERING SOLUTIONS