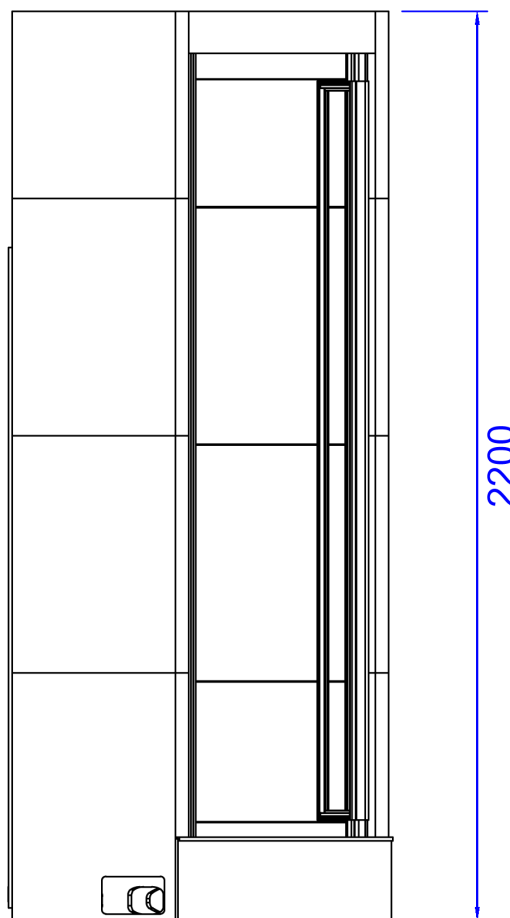
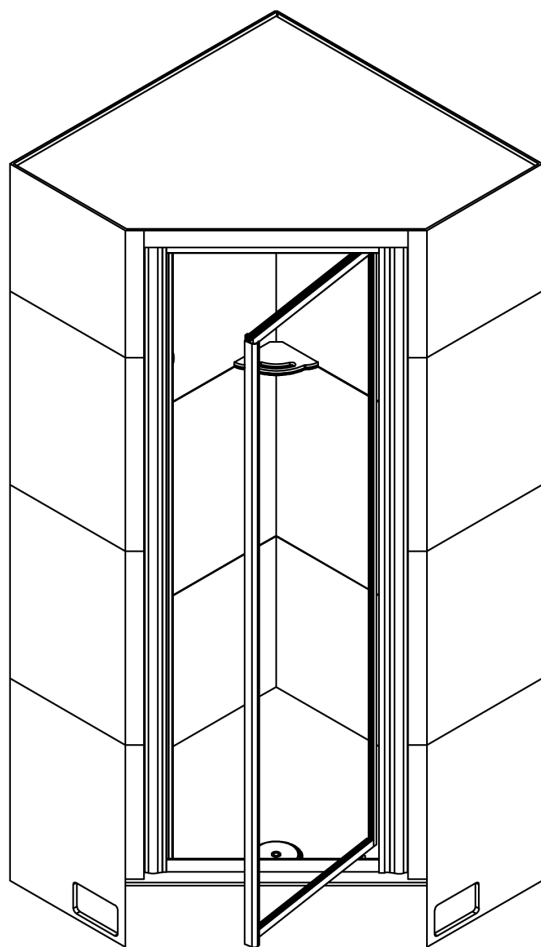


Kelso shower cubicle

Sectional enclosure



MATERIAL

Polypropylene

WEIGHT

80KG

COLOUR

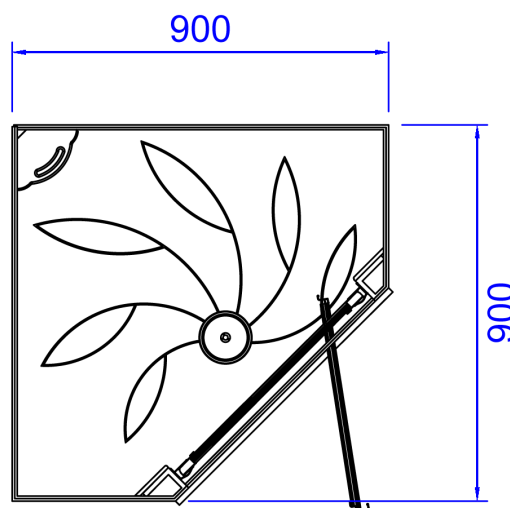
White, Fleck Grey, Champagne

DIMENSIONS (mm)

900(w) x 900(d) x 2200(h)

25 YEAR GUARANTEE

PATENT NO. Available on request



AutoCAD

Taplanes Limited

Station Court
Nidd
Harrogate
North Yorkshire
HG3 3BN

Enquiries

Telephone 01423 771 645
Fax 01423 771 916
Email admin@taplanes.co.uk
www.taplanes.co.uk



TAPLANES[®]
SHOWERING SOLUTIONS