

Kelso shower cubicle

Installation instructions

Please read carefully before installing the cubicle
If you require any further assistance please
contact Taplanes on 01423 771645



General

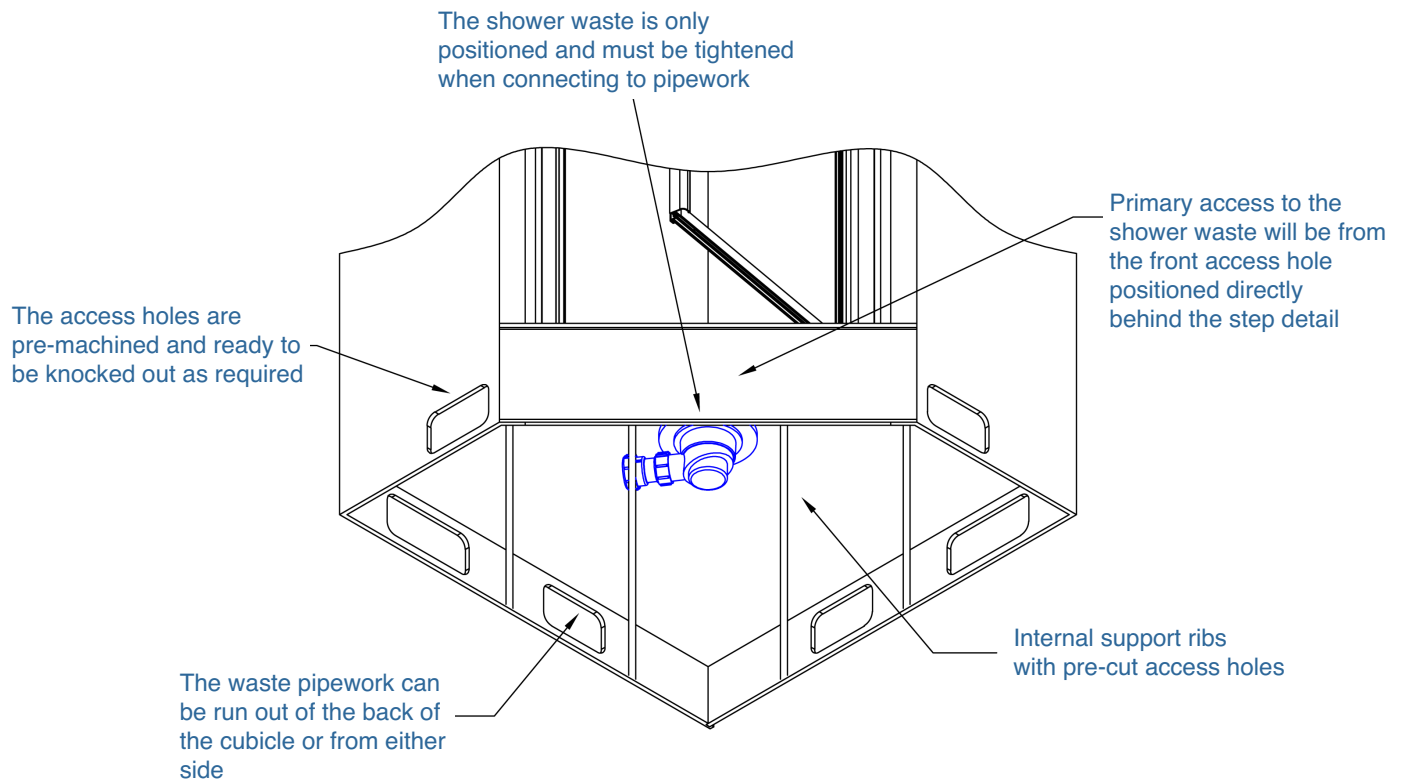
- The unit is delivered in a cardboard sleeve – ready for installation.
- Initial plumbing may be achieved whilst the cubicle is still wrapped in the cardboard sleeve. The waste pipe can be directed to the back or the sides as required. The ribs underneath the base have been designed to allow for the location of the waste pipe. However if site services dictate routing may be made by using a suitable size hole saw (see notes on cutting polypropylene).
- Stand upright.
- Remove the cardboard sleeve. Tear off a section and place in the cubicle as protection for the shower tray during installation.
- Position the cubicle as required. If the floor is uneven it may be necessary to insert packing pieces under the corners to level the cubicle.

(Note: the packing pieces should be fixed permanently to the floor.)

Drainage

- All shower cubicles and pods manufactured by Taplanes Limited have as an integral part of the design, support ribs welded to the underside of the shower tray. These not only support the tray they also provide stability to the drainage pipe work. The main walls of the cubicles and pods have at below tray level machined access areas, requiring only their final cut through with a Stanley knife to allow for drainpipe access. The ribs also have holes machined in them for directing the drainpipe outside the cubicle. Great care must be taken not to damage the tray welds, or corner welds, which would cause the cubicle to leak. Also any large cut outs may well undermine the integral strength of the unit and seriously affect its performance and will invalidate any guarantees.
- Once the cubicle has been levelled and correctly positioned plumbing may be completed. Please note that the cubicle arrives with a protective film. Where this may become entrapped during installation localised removal will prevent unsightly traces of film on completion.

BASE DETAIL



- **NB: The shower cubicle is not structurally dependent on the building. However anchorage is recommended to protect the plumbing and stabilise for rough usage.**

This may be achieved by right-angled brackets from the ground to below the height of the cubicle floor (ensuring that all screws are at least 25mm below the level of the cubicle floor.) Alternatively the cubicle may be secured above roof level with a screw through the cubicle wall, above the height of the roof panel, to a batten firmly secured to the building.

- If a door is to be fitted please refer to the relevant instructions supplied to install the required door to a Taplanes cubicle.
- Remove any protective polythene film and any tape residue/marks or grease marks can be removed using a suitable solvent i.e. IPA, 1.1.1 Trichloroethene or similar. Health and Safety Regulations should be observed when using solvents in confined areas. Standard cleaning to be by non-abrasive cleaning agents either acidic or alkali to suit the nature of the soiling.
- Fit cover caps to all exposed screw holes.

- If the product is supplied with a mixer console, please refer to local regulations with regards to the Legionella procedures for the mixer, shower head and associated pipework.

DIMENSIONS (mm): 900(w) x 900(d) x 2200(h)

WEIGHT: approximately 80kg \pm 10%

CLEANING

- We recommend a strong alkaline non-abrasive detergent/cleaner, preferably with a biocide, to clean the cubicle, followed by a thorough rinse.
- Note: Care must be taken when using some of the propriety cleaners being marketed. Some are exothermic when mixed with water, and the excess heat could damage the plumbing.**
- The design of top access bottle trap incorporates a removable dip tube and drain grid for ease of cleaning. Please refer to manufacturers instructions supplied with cubicle.

If you require any further assistance, please contact Taplanes on 01423 771 645