

Talentum® I6570

Intrinsically Safe (IS) Single IR Spark Detector

The Talentum® IS Single Infra-Red (IR) Spark Detector responds to low frequency (1 to 15 Hz.) flickering IR radiation emitted from sparks and other hot objects during combustion.

IR flame flicker techniques enable the sensor to operate through a layer of oil, dust, water vapour, or ice.

Most IR spark sensors respond to $4.3\mu\text{m}$ light, emitted by hydrocarbons. By responding to 1.0 to $3.0\mu\text{m}$ light emitted by sparks, early stage fires can be rapidly detected.

The single IR photoelectric detector responds to IR wavelengths, emitted from glowing embers and sparks and is ideal for these applications.

The combination of filters and signal processing allows the sensor to be used without risk of false alarms on dark machinery and ductwork.

Features

- Fast response time for enclosed and dark areas
- High Sensitivity to Embers
- Selectable Output Options; Conventional 2 wire, 4-20mA, Relay Contacts (Fire/Fault, Pre-alarm - Latching or Non-latching)
- Selectable Response Speed
- Remote Control Self Test
- Low Power Consumption

Applications

- | | |
|-----------------------------|---------------------------|
| • Agriculture | • Dust Collection/Filters |
| • Bed Fillings | • Textiles |
| • Chipboard/MDF Manufacture | • Paper Production |
| • Dryers | • Woodworking |

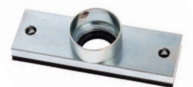


Accessories

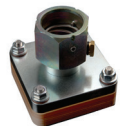
12290
Bayonet Mount 1"
BSP/NPT male in plated steel



12564
2 Hole Mounting Flange



12561
4 Hole Mounting Flange Kit 1" BSP/NPT



12217
Heavy Duty Mount
With 1" BSP/NPT



Talentum® I 6570

Mechanical Specification

Housing Material	Die Cast Zinc Alloy (ZA12)
Housing Colour	Blue
Dimensions	142(H) x 108(W) x 143(D) mm
Weight	2.4kg
Cable Gland Entries	2 x 20mm
Wiring	1.0 to 4.0mm ²

Electrical Specification

Supply Voltage	14 to 28Vdc
Quiescent Current	8mA, RL2 energised
	4mA, current loop, RL2 off
	3mA, RL2 off
Alarm Current	28mA, RL1 & RL2 energised
	20mA, current loop, RL1 & 2 off
	9mA, RL1 energised
Power Up Time	2 seconds max.
Test Signal Voltage	14 to 28Vdc
Relay Outputs	
- Programmable	Normally Open or Normally Closed
	Latching or Non-latching
- Ratings: Current	0.250A Max.
Voltage	30Vdc Max.
Power	3.0W Max.
	(Note: Resistive Loads Only)

Environmental

Operating Temperature	-10°C to +55°C
Storage Temperature	-20°C to +65°C
Relative Humidity	95% Non condensing
IP Rating I	IP65

Performance

Operating Wavelength	
Band - IR	1.0 to 3.0µm

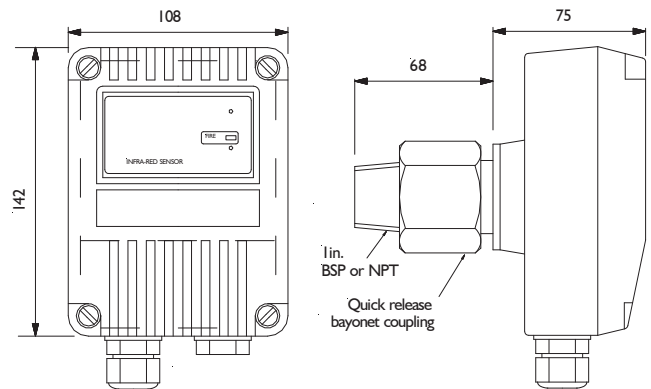
Approvals

BA502 ATEX I 001

Visit www.ffeuk.com for up to date approvals information.



Dimensions (mm)



FFE Limited
9 Hunting Gate Hitchin,
Hertfordshire SG4 0TJ
England

t +44 (0) 1462 444 740
f +44 (0) 1462 444 789
e sales@ffeuk.com
w www.ffeuk.com

Formerly known as Fire Fighting Enterprises Ltd

Installation Recommendations

Please refer to our User Manual for mounting and wiring instructions. The installation of Talentum spark detectors should be undertaken in accordance with the recognised national or international standards and codes of practice.

Specifications and wiring information are provided for information only and are believed to be accurate. FFE Ltd assumes no responsibility for their use. Data and design are subject to change without notice. Installation and wiring instructions are shipped with the products and should always be used for actual installation. For more information, contact your Sales Representative.

Document Part No: 24-0114-01
0625

www.ffeuk.com