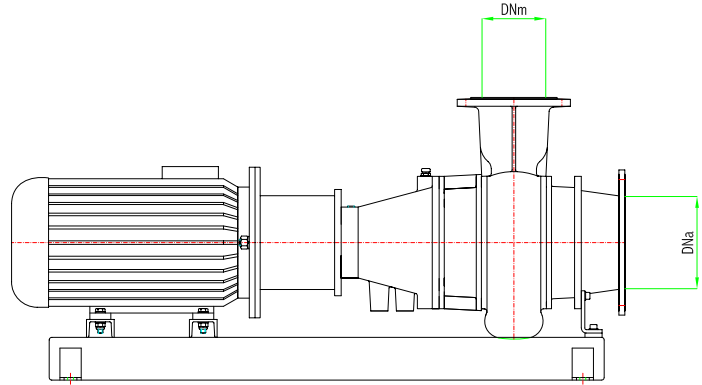
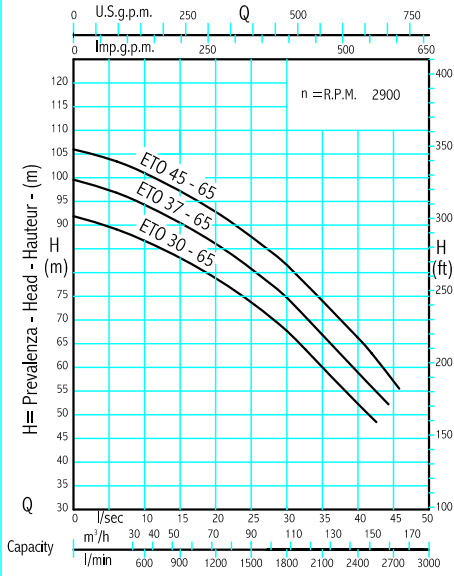
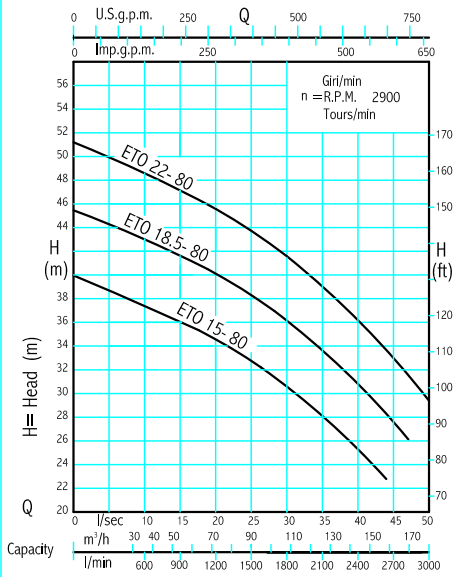


- PERFORMANCES RANGES -

"ETO.. 65"

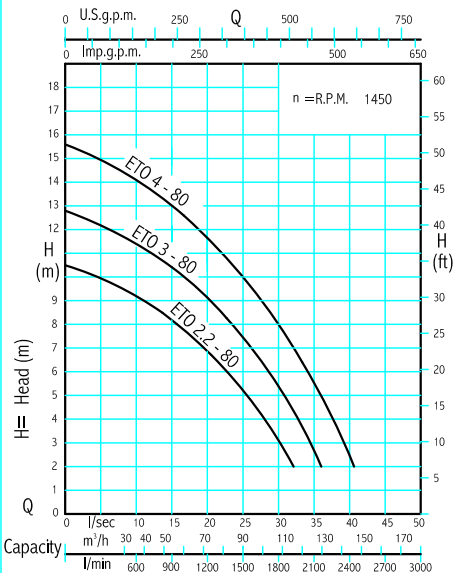


"ETO.. 80"

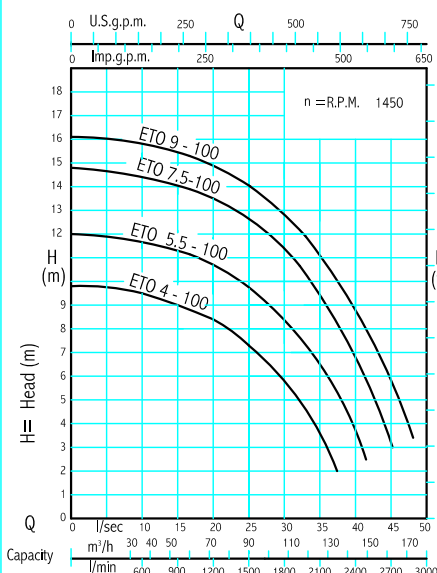


Curves established for liquid density 1 - viscosity 1 mm<sup>2</sup>/s - temperature 20° C.

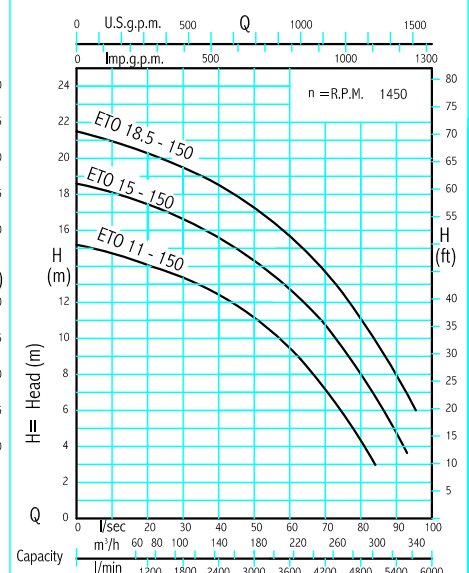
"ETO.. 80"



"ETO.. 100"



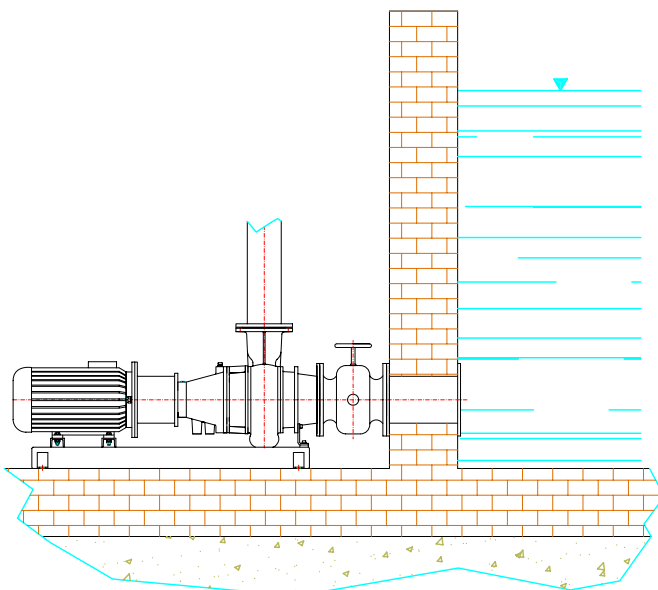
"ETO.. 150"



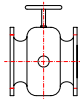
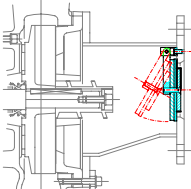
## OPERATING DATA

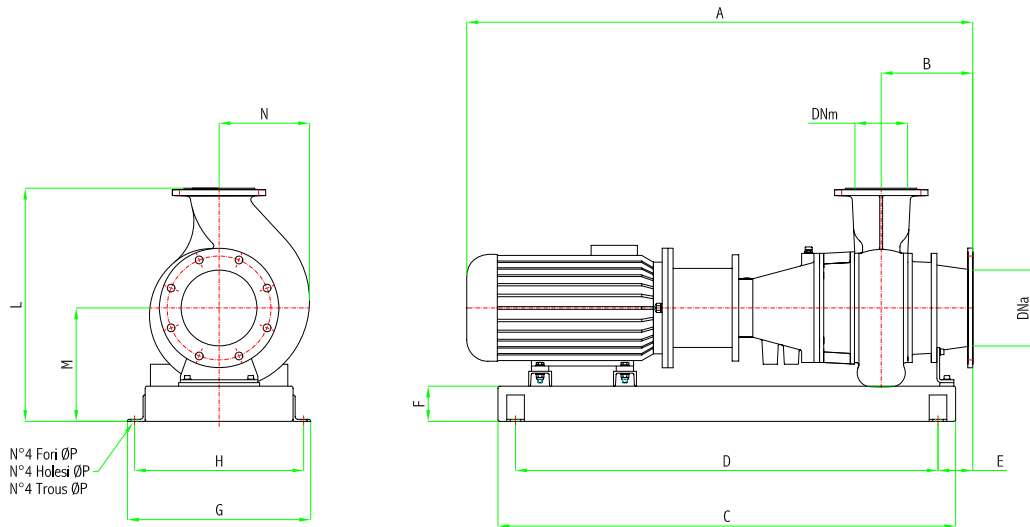
PUMP TYPE	Motor rating	R.P.M.	Suction	Delivery	CAPACITY m <sup>3</sup> /h															
					0	36	54	72	90	108	144	180	216	252	288	324				
	CAPACITY l/sec																			
	0	10	15	20	25	30	40	50	60	70	80	90								
	kW	n	DNa	DNm	HEAD m															
ETO 30 - 65	30	2900	150 PN10	65 PN10	91.8	86.7	83.1	78.8	73.7	67.7	52.3									
ETO 37 - 65	37				99.6	94.3	90.5	86.1	80.8	74.7	58.9									
ETO 45 - 65	45				106	101	97.2	92.8	87.6	81.6	66.3									
ETO 15 - 80	15		100 PN10	80 PN6	40	37.3	36.1	34.7	32.7	30.7	25.2									
ETO 18.5 - 80	18.5				45.4	43	41.5	40.2	38.4	36.2	30.8									
ETO 22 - 80	22				51.1	48.6	47.2	45.6	43.7	41.5	36.3	29.5								
ETO 2.2 - 80	2.2	10.5			9.2	8.1	6.8	5.1												
ETO 3 - 80	3	12.8			11.3	10.4	9.1	7.4	5.3											
ETO 4 - 80	4	15.6			14.1	13	11.7	10	8											
ETO 4 - 100	4	1450	150 PN10	100 PN6	9.8	9.5	9	8.4	7.3	5.8										
ETO 5.5 - 100	5.5				12	11.6	11.2	10.6	9.7	8.3	3.7									
ETO 7.5 - 100	7.5				14.7	14.3	14	13.4	12.6	11.3	6.7									
ETO 9 - 100	9		16.1	15.7	15.4	14.9	14.1	12.7	8.7											
ETO 11 - 150	11		200 PN10	150 PN6	15.2	14.7	14.4	14	13.7	13.3	12.3	11.1	9.4	7.1	4.2					
ETO 15 - 150	15				18.6	18.1	17.8	17.4	17	19.4	15.6	14.2	12.8	10.8	8	4.8				
ETO 18.5 - 150	18.5	21.5			20.9	20.7	20.2	19.9	16.7	18.5	17.1	15.7	13.7	11	8					

## INSTALLATION

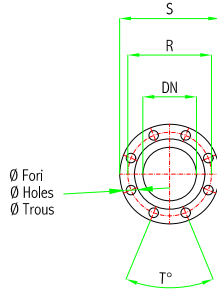


## ACCESSORIES

		
PUMP TYPE	Flanged gate	Check valve
ETO ... - 65	DN 150 - PN 10	.....
ETO ... - 80	DN 100 - PN 10	ORT 80
ETO ... - 100	DN 150 - PN 10	ORT 100
ETO ... - 150	DN 200 - PN 10	.....



N°4 Fori ØP  
N°4 Holes ØP  
N°4 Troues ØP



Flangia  
Flange  
Bride

Ø Fori  
Ø Holes  
Ø Troues

DN	Flange		Flanges		Brides	
	UNI	R	S	T°	Ø Fori	n°Fori
65	PN 10	145	185	90°	18	4
80	PN 6	150	190	90°	18	4
100	PN 6	170	210	90°	18	4
100	PN 10	180	220	45°	18	8
150	PN 6	225	265	45°	18	8
150	PN 10	240	285	45°	22	8
200	PN 10	295	340	45°	22	8

PUMP TYPE	Motor rating	R.P.M.	Suction	Delivery	OVERALL DIMENSIONS mm.											
	kW				n	DNa	DNm	A	B	C	D	E	F	G	H	L
ETO 30 - 65	30	2900	150 PN10	65 PN10	1577	318	1500	1400	100	610	570	603	342	199	14	
ETO 37 - 65	37				1627											
ETO 45 - 65	45				1177											
ETO 15 - 80	15		100 PN10	80 PN6	1221	213	890	790	140	80	395	355	521	296		177
ETO 18.5 - 80	18.5				944											
ETO 22 - 80	22				962											
ETO 2.2 - 80	2.2	1450	150 PN10	100 PN6	1093	293	1000	900	180	430	390	513	250	190		
ETO 3 - 80	3				1129											
ETO 4 - 80	4				1167											
ETO 4 - 100	4		200 PN10	150 PN6	1352	261	1300	1200	99	100	520	480	652	302		257
ETO 5.5 - 100	5.5				1396											
ETO 7.5 - 100	7.5				1388											
ETO 9 - 100	9															
ETO 11 - 150	11															
ETO 15 - 150	15															
ETO 18.5 - 150	18.5															