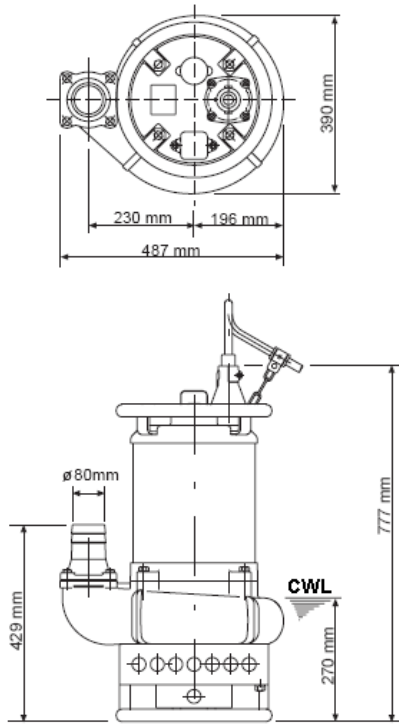
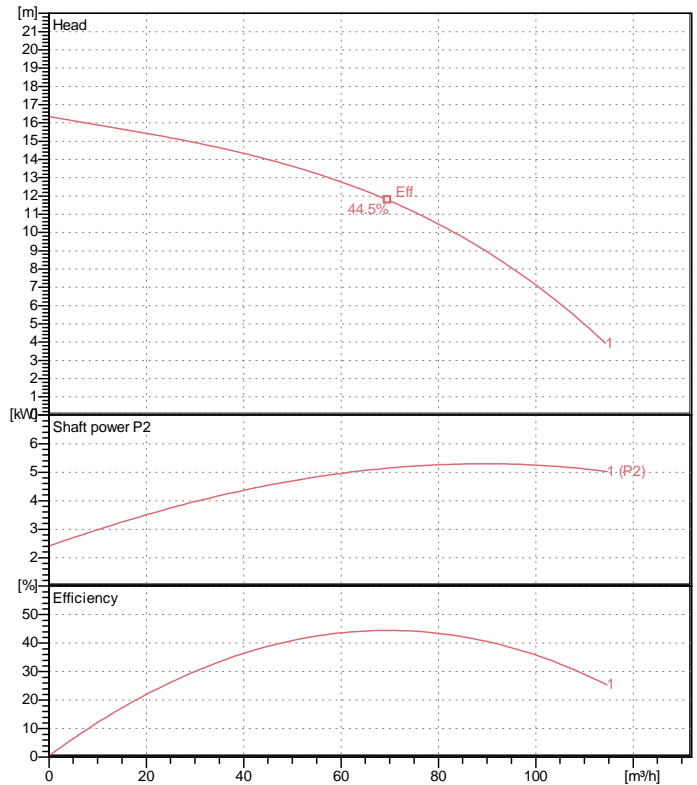


# Data sheet GPN3-80



CWL: Continuous running water level



## Specification

Electric submersible pump  
 Degree of protection IP 68  
 Depth of submersion max. 20 m  
 Type of impeller Open  
 Max. solid handling 30 mm  
 Suitable for:  
 sludge, slurry, liquids containing sand

## Electric motor

Dry-type submersible induction motor  
 Insulation class E 4Poles 1435 1/min  
 Starting mode Directly  
 Rated voltage 400 V 50 Hz 3~  
 Power uptake 6.91 kW  
 Rated power 5.50 kW  
 Rated current 12.1 A  
 Start current 87.0 A

## Cable

20m H07RN-F 4Cx2,5mm<sup>2</sup>

## Motor Protection

Circle thermal protector  
 (snap-action bi-metal device)

## Shaft seal

Double inside mechanical seal in oil bath  
 additional lubrication by oil lifting device

Primary seal

Silicon carbide on silicon carbide

Secondary seal

Stainless steel SUS420J2

## Bearings

Shielded ball bearings, maintenance-free

## Materials

Impeller	Chromium iron casting
Pump casing	FC200 (EN-GJL-200)
Motor Frame	FC150 (EN-GJL-150)
Shaft	SUS 1.7220 (chromium molybdenum)

## Discharge size

3" (80mm) BS-coupling (threaded flange)

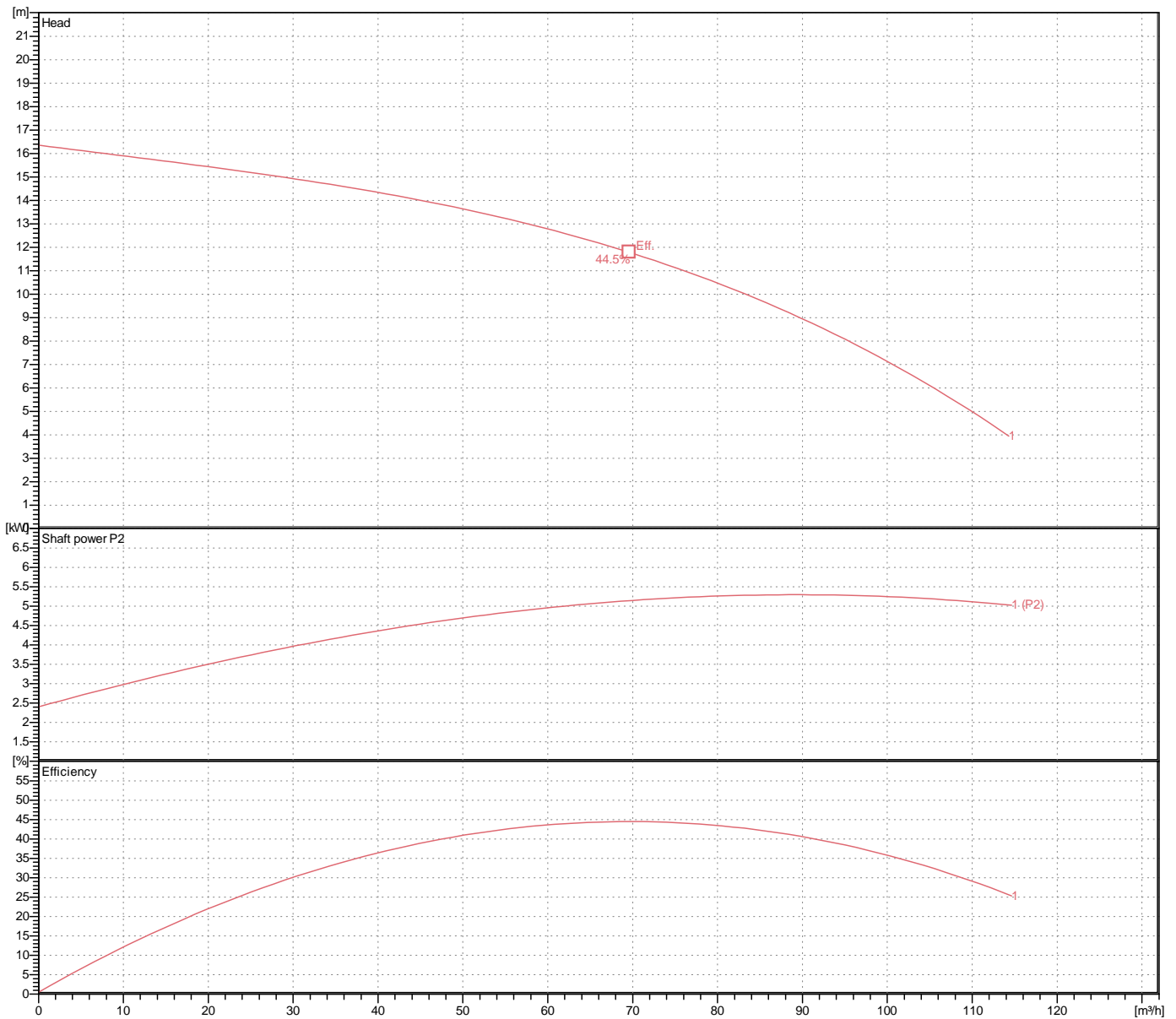
## Weight

145 kg (dry weight of the pump only without cable)

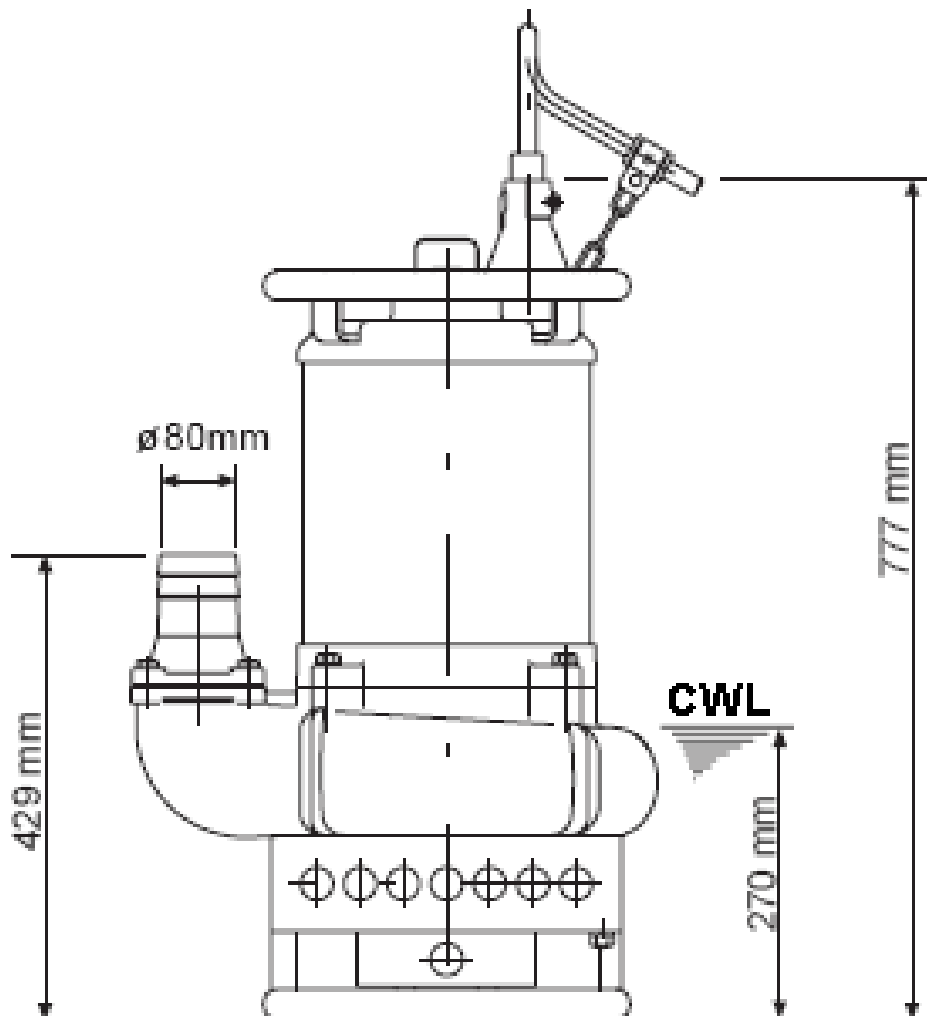
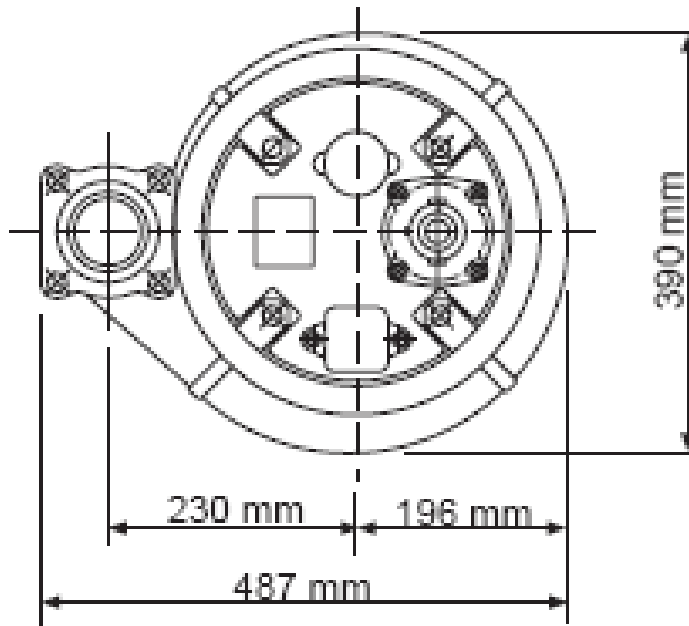
# Performance curve

## GPN3-80

Discharge port	3"
Head	16.4 m
Flow	114.3 m <sup>3</sup> /h
Rated power	5.50 kW
Power input	6.91 kW
Phases	3~
Voltages	400 V
Frequency	50 Hz
Rated current	12.1 A
Starting current	87.00 A
Number of poles	4
Speed	1435 1/min
Starting mode	Directly
Insulation class	E



# Dimensions GPN3-80



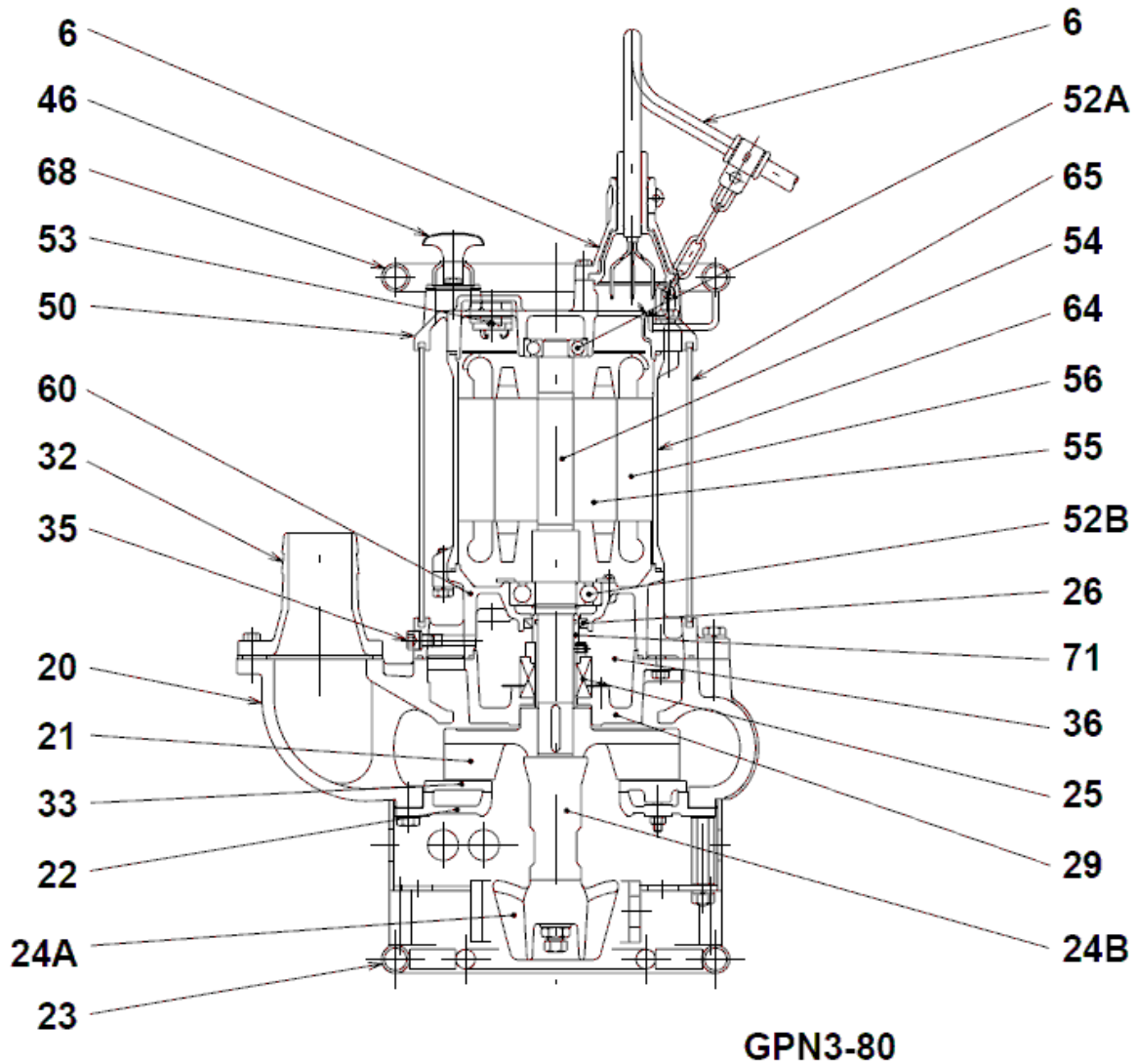
CWL: Continuous running water level  
LWL: Lowest running water level

 **TSURUMI PUMP**

Tsurumi Europe GmbH  
05.03.2014 V.16 / 1.10.2013

Heltofer Str. 14 \* 40472 Düsseldorf \* Germany  
Tel.: +49-211-4179373 sales@tsurumi.eu  
Fax: +49-211-4791429 www.tsurumi.eu

# Sectional drawing GPN3-80



No.	Description	Remark	No.	Description	Remark
1	Cable	20m H07RN-F 4Cx2,5mm <sup>2</sup>	52A	Upper bearing	6305ZZC3
6	Stuffing box	FC200 (EN-GJL-200)	52B	Lower bearing	6308ZZC3
20	Pump casing	FC200 (EN-GJL-200)	53	Motor Protector	.
21	Impeller	Chromium iron casting	54	Shaft	SUS 1.7220 (chromium molybdenum)
22	Suction cover	FC200 (EN-GJL-200)	55	Rotor	.
23	Strainer	Steel plate / steel pipe	56	Stator	.
24	Agitator	Chromium iron casting	60	Bearing Housing	FC150 (EN-GJL-150)
25	Mechanical seal	NH-40	64	Motor Frame	FC150 (EN-GJL-150)
26	Oil seal	TC45629	65	Outer Cover	Construction steel SS400
29	Oil casing	FC200 (EN-GJL-200)	68	Handle	electroplated steel pipe
32	Pressure socket	FC200 (EN-GJL-200)	71	Shaft protection sleeve	Stainless steel SUS304
33	Suction cover	Chromium iron casting			
35	Oil screw	Stainless steel SUS304			
36	Lubricant	Turbine oil (ISO VG32)			
46	Air vent valve	Steel plate			
50	Motor cover	FC150 (EN-GJL-150)			