



SURESPAN

SMOKE VENTILATORS



ALL OUR SMOKE VENTS ARE CE MARKED TO EN12101-2

SMOKE VENTS

Surespan SRHE/AOV Smoke Ventilators are designed to open in a variety of formats from 140° through to 160°. All our units come CE Marked and Tested to EN12101-2.

Operated by a 24v DC actuator the hatch lid is filled with 50mm of CFC and HCFC free insulation with a minimum U-Value of 0.43W/m²K. This offers a high level of thermal insulation, together with excellent sound absorption properties. If required, certain units can be supplied with Non-combustible Mineral Wool Insulation

The lids are supported by heavy-duty axel pins and feature an integral 'wrap over' edge, incorporating double unbroken EPDM seals.

SERVICE CONTRACTS

It is recommended that an AOV system is regularly serviced and maintained by specialist personnel on a regular basis.

Surespan can offer a service contract or maintenance agreement which provides tailored maintenance schedules to give peace of mind to the building's owners and occupiers.

SMOKE VENTS

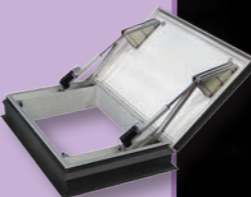
17 140° Smoke Ventilation/Roof Access

CE Marked to EN12101-2
SRHP/AOV Smoke Vent with offset mechanism for roof access and daily ventilation



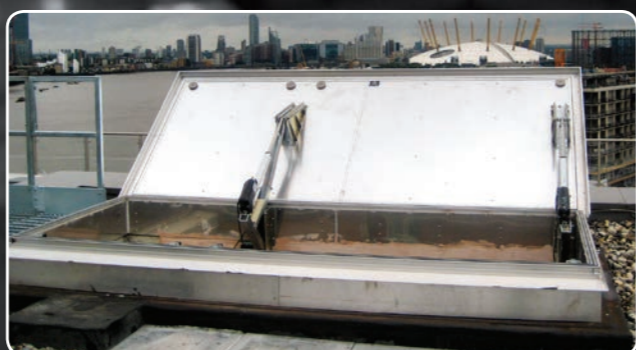
18 140° Bespoke Smoke Vents

CE Marked to EN12101-2
Sizes up to 3000 x 1800mm
Concealed Actuators option
Daily Ventilation

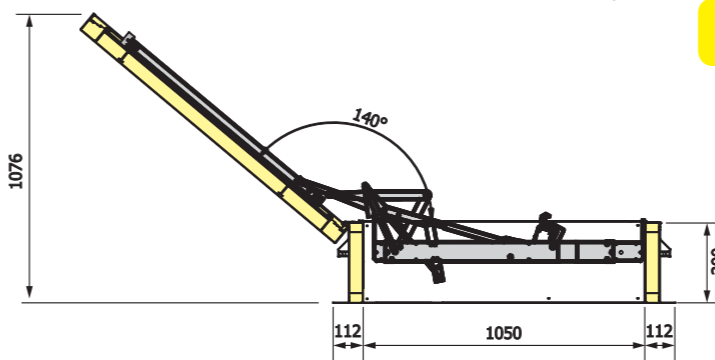


19 Glazed Smoke Vents

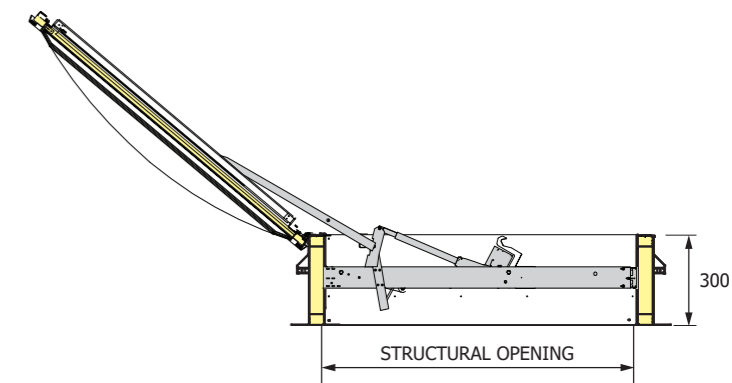
CE Marked to EN12101-2
Sizes up to 3000 x 1400
Glazed Lid
Concealed Actuators option



SOLID INSULATED LID



POLYCARBONATE DOME



EN12101-2 PERFORMANCE

Free Aerodynamic Area	1.0 or 1.5m ²
Reliability	RE 1,000 (10,000 Comfort Ventilation)
Snow Load	SL 500
Low Ambient Temp	T (-15°)
Wind Load	WL 1500
Resistance to heat	B300

SMOKE VENT - CE MARKED SRHP/AOV

Standard features

- 50mm PIR Insulation **0.43 W/m²K**
- 50mm THERMAL BREAK
- 140° OPENING SOLID TOP OR DOME LID
- OFFSET MECHANISM FOR PERSONNEL ACCESS
- COMFORT VENTILATION

OPTIONAL:

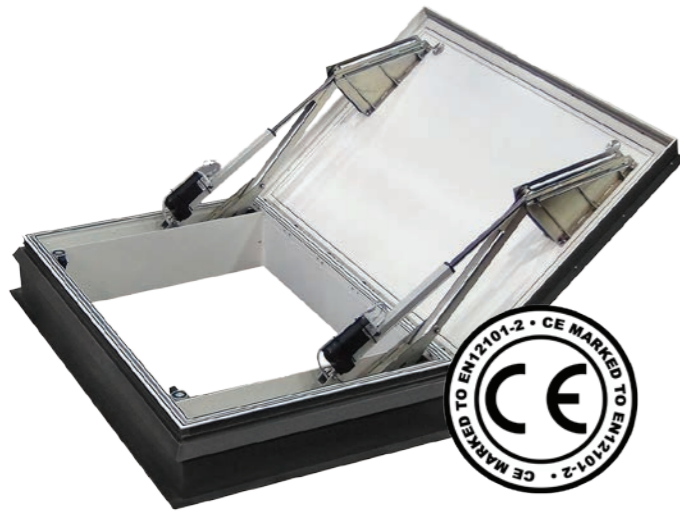
- 50mm **Non Combustible** Mineral Wool Insulation **0.63 W/m²K**

CUSTOM MADE TO ANY SIZE

AOV SMOKE VENTILATORS

Model	STRUCTURAL OPENING	AIRFLOW Approved Document B Geometric Area
SRHP/AOV 105.105	1050 x 1050	1.01m ²
SRHP/AOV 126.126	1260 x 1260	1.58m ²
SRHP/AOV 130.105	1300 x 1050	1.36m ²
SRHP/AOV 150.105	1500 x 1050	1.57m ²

Suggested sizes for each application.



BESPOKE SMOKE VENT - CE MARKED

Standard features

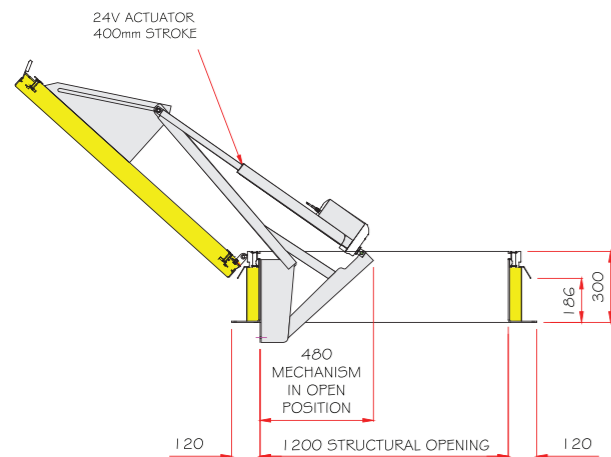
- Any size up to 1800 x 3000mm
- 50mm PIR Insulation **0.43 W/m²K**
- Thermally Broken lid and upstand
- 140° Opening Solid Top
- Mechanism(s) can be offset and/or concealed

CUSTOM MADE TO ANY SIZE

AOV SMOKE VENTILATORS

Model	STRUCTURAL OPENING	Free Aerodynamic Area m ²	Mechanism Position
SRHE/AOV 105.105	1050 x 1050	1.00 m ²	Single
SRHE/AOV 150.150	1500 x 1500	2.10 m ²	Twin
SRHE/AOV 120.200	1200 x 2000	2.25 m ²	Twin
SRHE/AOV 105.150	1050 x 1500	1.42 m ²	Twin
SRHE/AOV 150.300	1500 x 3000	4.35 m ²	Twin
SRHE/AOV 180.300	1800 x 3000	4.35 m ²	Twin

Suggested sizes for each application.



BESPOKE GLAZED AOV - CE MARKED

Standard features

- Any size up to 1400 x 3000mm
- Double Glazed 35.5mm Glass
- 50mm PIR Insulation **0.43 W/m²K**
- Thermally Broken
- 140° Opening Glazed Lid
- Mechanism(s) can be offset and/or concealed

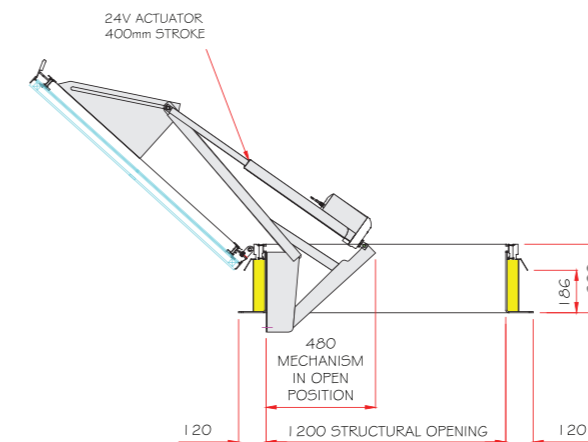
CUSTOM MADE TO ANY SIZE



AOV SMOKE VENTILATORS

Model	STRUCTURAL OPENING	Free Aerodynamic Area m ²	Mechanism Position
SRHGE/AOV 105.105	1050 x 1050	1.00 m ²	Single
SRHGE/AOV 150.150	1500 x 1500	2.10 m ²	Twin
SRHGE/AOV 120.200	1200 x 2000	2.25 m ²	Twin
SRHGE/AOV 150.200	1500 x 2000	1.42 m ²	Twin
SRHGE/AOV 140.300	1400 x 3000	3.90 m ²	Twin

Suggested sizes for each application.



GLAZING SPECIFICATION

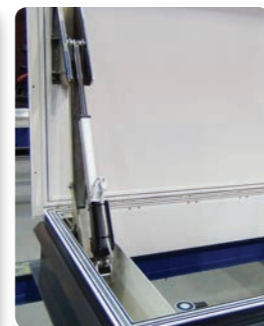
35.5mm sealed double glazed unit will comprise 6mm toughened K polished all round outer pane, 20mm Warm Edge silver spacer Bar argon filled, Pilkington 9.5mm toughened & laminated inner pane.

BESPOKE SMOKE VENTS

University of the Arts - London
Bespoke electric roof hatch with combined smoke ventilation



Off set mechanism



Concealed mechanism



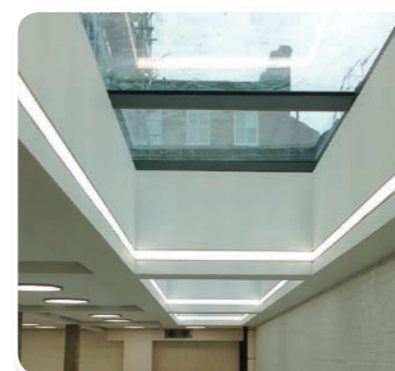
Concealed actuators



Great Portland Street - London
Electrically operated glazed sliding smoke ventilators - 4610 x 1955 mm



Southwark Street - London



The Glasshouse - Putney, London