

LAMP®

A NEW STEP FOR HINGE TECHNOLOGY

OLYMPIA

360 POWERED BY  Lapcon.

No. 315 CATALOGUE

 SUGATSUNE



concept.04
Ingenious 3-way adjustment [P.07]

concept.03
Easy, time-saving installation [P.07]

concept.01
5-speed adjustable soft close [P.04]

The Japanese hinge

Containing over 80 years of
Sugatsune knowhow

OLYMPIA

360 POWERED BY  Lapcon.



concept.02
Extreme durability [P.06]

Quality at a touch

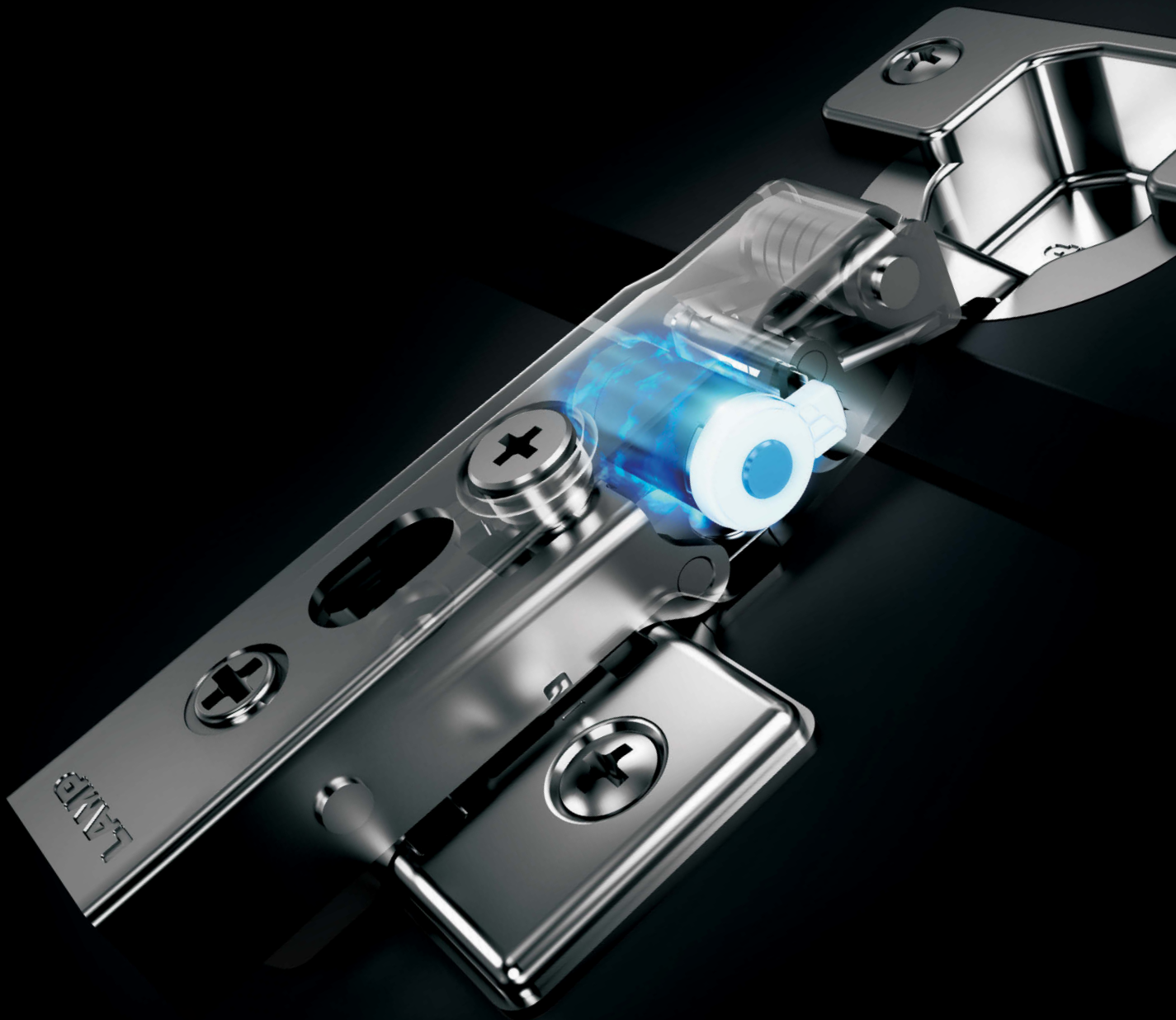
From the initial design stage to the final inspection of the Olympia hinge, we are proud to stamp it with our LAMP brand, a sure sign of long-term quality.

C O N T E N T S

concept	—————	P.04
lineup	—————	P.08
specifications	—————	P.10
options	—————	P.14
upcoming products	———	P.15

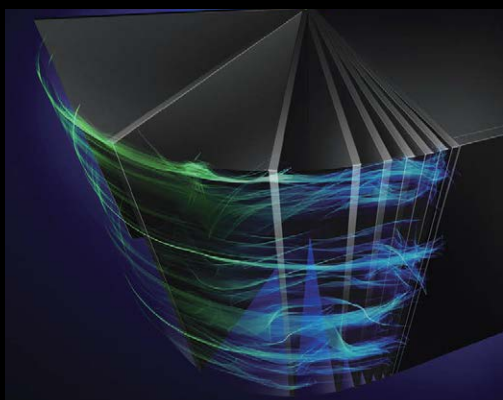


concept
01





5-speed adjustable soft close.
The first Sugatsune concealed hinge ever
built with Lapcon technology.



The first time Sugatsune's unique Lapcon technology has ever been used inside a concealed hinge. The innovative rotary damper is not only extremely compact, for sleek overall design, its force can also be adjusted in 5 steps for a perfect match regardless of the door size or weight.

concept
02

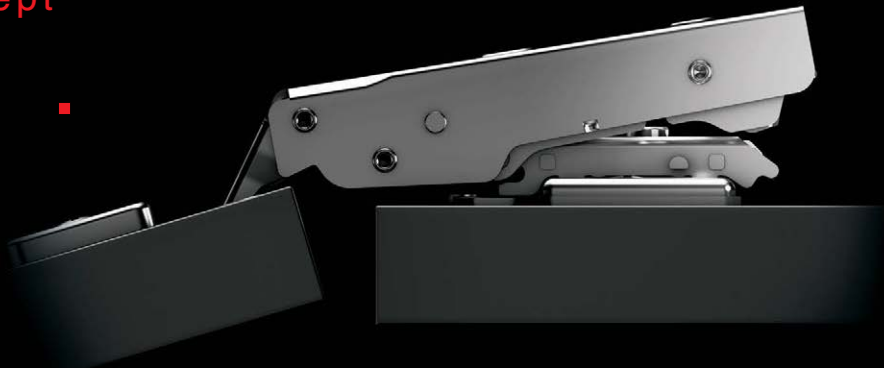
Successfully passed
200,000 cycles test.

For a piece of furniture to last a lifetime,
the hinge must perform flawlessly the
whole time.

Despite official requirements by JIS
(Japanese Standards) asking for only
40,000 cycles, the Olympia hinge has
cleared 5 times as many to ensure that
you will always be able to open and
close your doors without worry.



concept
03



Smooth assembly for a time-saving installation.

Using an original design of the Turn-Lock system, Olympia can be installed by simply pushing it from the top. This simplifies the installation compared to a traditional Front-First installation, especially in cases where multiple hinges are used.

One screwdriver for a one-handed 3D adjustment.

concept
04



Depth, vertical, horizontal adjustment screws are all located on top. This was made possible because of our original damper.

- Depth adjustment: +1.5mm, -2.5mm
- Vertical adjustment: ±2.5mm
- Overlay (Horizontal) adjustment: +0, -4mm

Olympia Concealed Hinge 360



Door thickness: 15-20mm / Cup size: ϕ 35mm / Cup depth: 11mm

Type	Opening Angle	Item Code	Item Name	Catch	Damper	Overlay Dimension	Catalogue Page
19mm Overlay	105°	160-026-840	360-D26-19T		○	15 - 19 *	P.10
		160-026-836	360-26-19T				
		160-026-832	360-C26-19T	○			
14mm Overlay		160-026-841	360-D26-14T		○	10 - 14 *	P.11
		160-026-837	360-26-14T				
		160-026-833	360-C26-14T	○			
9mm Overlay		160-026-842	360-D26-9T		○	5 - 9 *	P.12
		160-026-838	360-26-9T				
		160-026-834	360-C26-9T	○			
Inset	160-026-843	360-D26-0T			○	Inset	P.13
	160-026-839	360-26-0T					
	160-026-835	360-C26-0T	○				

*For a Bore Distance (C) of 5mm.



Mounting Plates



Type	Item Code	Item Name	Catalogue Page
System 30	160-026-844	360-P4W-30T	P.14
System 32	160-026-845	360-P4W-32T	P.14
System 32 with 4 holes	160-026-846	360-P6WT	P.14

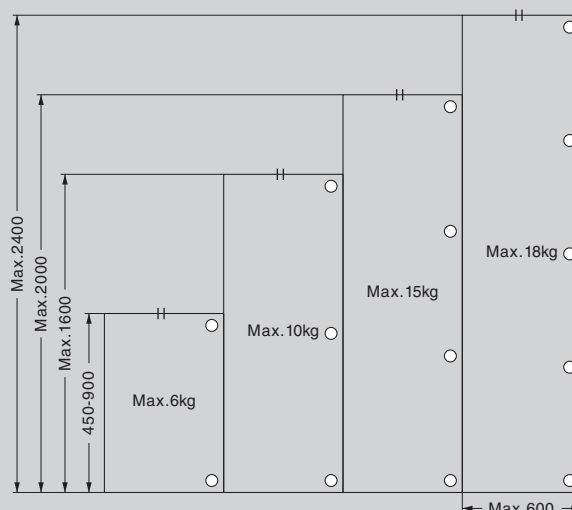
Countersank head tapping screw 3.5 × 15NI *Sold in boxes of 400 pieces

Item Code	Item Name	Catalogue Page
160-070-030	TAP3515NI	P.14


Door dimensions and number of hinges necessary


Door width	Door thickness	Material density	Installation pitch
Max.600	Max.20	Max.0.6	Min.300

- ▶ The door's centre of gravity should be in the centre
- ▶ The top-most and bottom-most hinges should be installed within 100mm of the door edge. For 3 or more hinges, ensure that the pitch is regular.
- ▶ The drawing on the right is for demonstration only. Always test your assembly first.
- ▶ For any other application, please consult you closest reseller for further technical assistance.



Icon guide

 Environment friendly
Products compliant with RoHS directive (201/65/EU)

 CAD data
CAD data is available on the Sugatsune website for registered users.

105° Opening

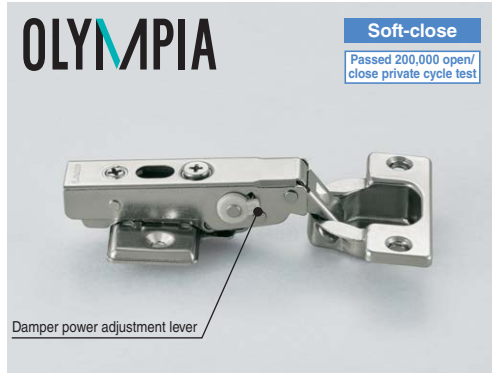
19mm Overlay

Overlay 15-19mm
(When Bore Distance is 5mm)

Cup size $\phi 35$ Bore Depth 11mm
Door Thickness 15-20mm

Mounting plates
Olympia series

LAMP Olympia Concealed Hinge 360



- Damper strength features a 5-level adjustment.
- Door can be adjusted in 3 dimensions (Depth: +1.5, -2.5mm, Vertical: ± 2.5 mm, Overlay: +0, -4mm)

[Sold separately] ▶ P.14

- Olympia series mounting plate
- Countersunk head tapping screw 3.5 x 15NI

[Recommended screws]

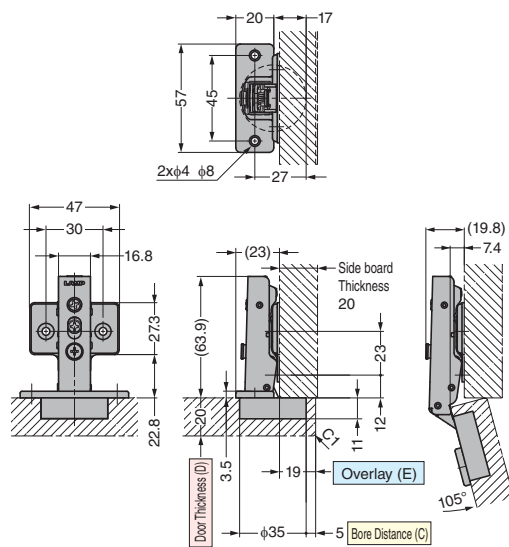
- Countersunk head wood/tapping screw 3.5

RefRS	CAD	Item Code	Item Name	Type	Material	Finish	Carton
G	2020	160-026-840	360-D26-19T	with damper	Steel	Nickel	100pcs
G	2020	160-026-836	360-26-19T	without catch			200pcs
G	2020	160-026-832	360-C26-19T	with catch			200pcs

Picture above is the combination of a concealed hinge (with damper) and a mounting plate (sold separately).

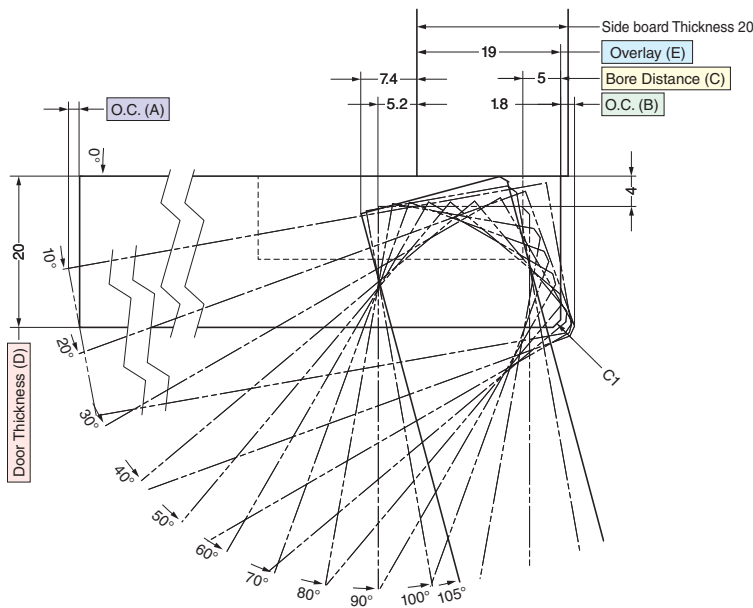
A mounting plate(sold separately) is required for installation. Please order separately.

• Outline drawing S=1/4



Drawing above is 360-D26-19T, 360-26-19T, 360-C26-19T snapped on to mounting plate 360-P4W-30T: Bore Distance 5mm, Door Thickness 20mm, Side board Thickness 20mm and 19mm Overlay.

• Locus chart S=1/1



Bore Distance (C)

Bore Distance (C)	3	4	5
Overlay (E)	17	18	19

For standard type mounting plate 0mm thickness. Overlay adjustment (-4mm) by turning the overlay adjustment screw.

Opening Clearance (O.C.)

Clearances for door edge O.C. (A) and hinge side O.C. (B) are necessary. O.C. (A) and (B) change depending on door thickness and bore distance (C). Refer to locus chart and tables below when designing cabinets.

O.C. (B)

Door Thickness (D)	Bore Distance (C)		
	3	4	5
15	0.6	0.6	0.5
16	0.8	0.8	0.7
17	1.0	1.0	1.0
18	1.3	1.3	1.2
19	1.6	1.6	1.5
20	2	1.9	1.8
21*	2.4	2.3	2.2
22*	2.8	2.7	2.6

The table above shows O.C. (B) for C1 chamfering (chamfer plane).

*Please refer to the locus chart if door thickness is over 20mm.

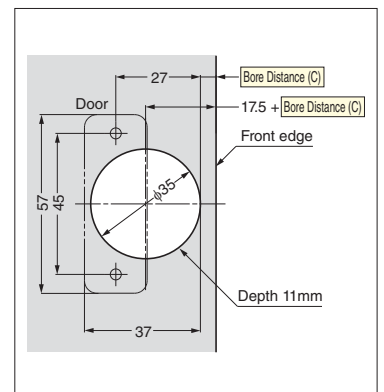
(O.C. (B) can be made smaller by R chamfering (round chamfer) and C chamfering (chamfer plane) on the door.)

O.C. (A)

Door Thickness (D)	Door Width			
	300	400	500	600
20	0.13	0.09	0.07	0.06

[Door dimensions and number of hinges necessary] ▶ P.9

Cut Out Dimensions



LAMP Olympia Concealed Hinge 360



- Damper strength features a 5-level adjustment.
- Door can be adjusted in 3 dimensions (Depth: +1.5, -2.5mm, Vertical: ± 2.5 mm, Overlay: +0, -4mm)

[Sold separately] ▶ P.14

- Olympia series mounting plate
- Countersunk head tapping screw 3.5 x 15NI

[Recommended screws]

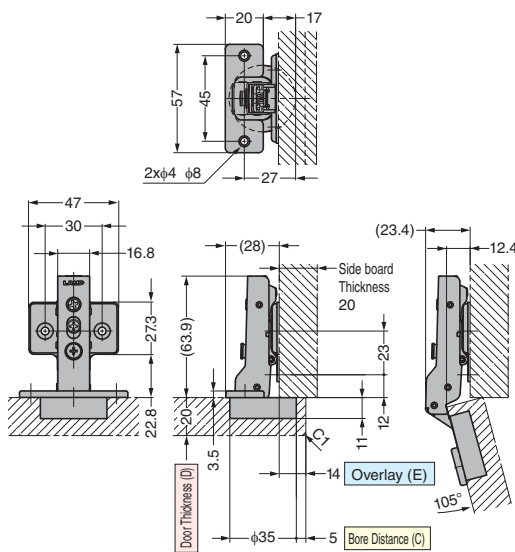
- Countersunk head wood/tapping screw 3.5

RHS	CAD	Item Code	Item Name	Type	Material	Finish	Carton
		160-026-841	360-D26-14T	with damper	Steel	Nickel	100pcs
		160-026-837	360-26-14T	without catch			200pcs
		160-026-833	360-C26-14T	with catch			200pcs

Picture above is the combination of a concealed hinge (with damper) and a mounting plate (sold separately).

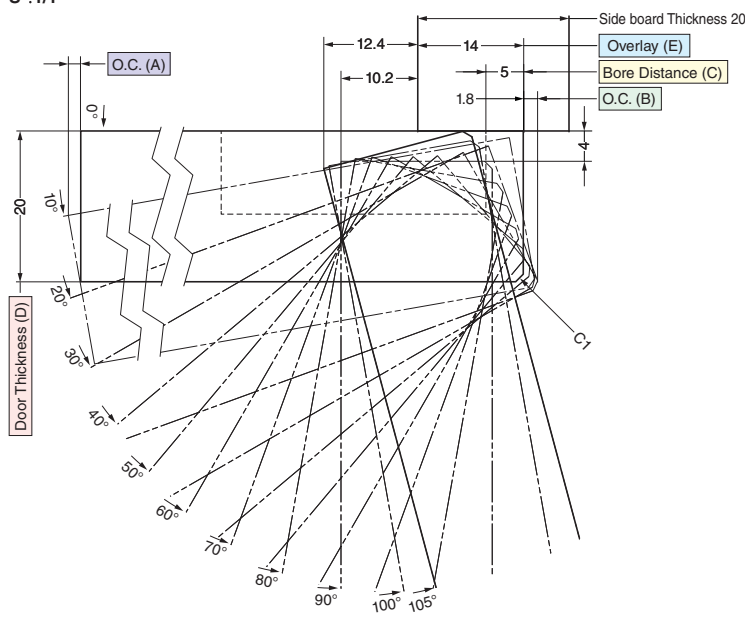
A mounting plate(sold separately) is required for installation. Please order separately.

• Outline drawing S=1/4



Drawing above is 360-D26-14T, 360-26-14T, 360-C26-14T snapped on to mounting plate 360-P4W-30T: Bore Distance 5mm, Door Thickness 20mm, Side board Thickness 20mm and 14mm Overlay.

• Locus chart S=1/1



Bore Distance (C)

Bore Distance (C)	3	4	5
Overlay (E)	12	13	14

For standard type mounting plate 0mm thickness. Overlay adjustment (-4mm) by turning the overlay adjustment screw.

Opening Clearance (O.C.)

Clearances for door edge O.C. (A) and hinge side O.C. (B) are necessary. O.C. (A) and (B) change depending on door thickness and bore distance (C). Refer to locus chart and tables below when designing cabinets.

O.C. (B)

Door Thickness (D)	Bore Distance (C)		
	3	4	5
15	0.6	0.6	0.5
16	0.8	0.8	0.7
17	1.0	1.0	1.0
18	1.3	1.3	1.2
19	1.6	1.6	1.5
20	2	1.9	1.8
21*	2.4	2.3	2.2
22*	2.8	2.7	2.6

The table above shows O.C. (B) for C1 chamfering (chamfer plane).

*Please refer to the locus chart if door thickness is over 20mm.

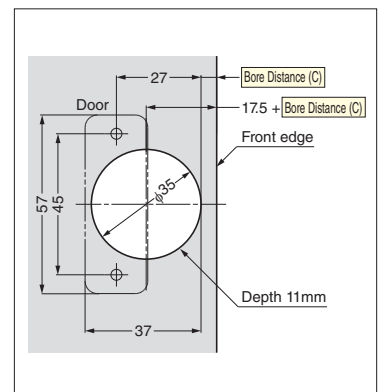
(O.C. (B) can be made smaller by R chamfering (round chamfer) and C chamfering (chamfer plane) on the door.)

O.C. (A)

Door Thickness (D)	Door Width			
	300	400	500	600
20	0.13	0.09	0.07	0.06

[Door dimensions and number of hinges necessary] ▶ P.9

Cut Out Dimensions



105° Opening

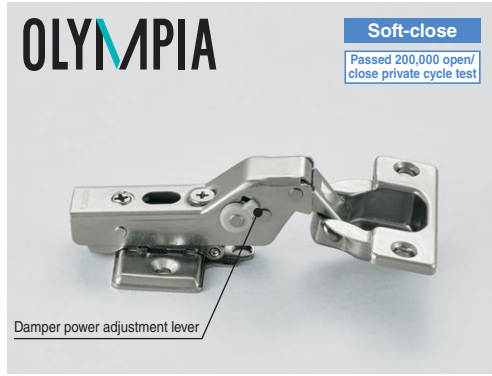
9mm Overlay

Overlay 5-9mm
(When Bore Distance is 5mm)

Cup size $\phi 35$ Bore Depth 11mm
Door Thickness 15-20mm

Mounting plates
Olympia series

LAMP Olympia Concealed Hinge 360



Picture above is the combination of a concealed hinge (with damper) and a mounting plate (sold separately).

Soft-close
Passed 200,000 open/close private cycle test

- Damper strength features a 5-level adjustment.
- Door can be adjusted in 3 dimensions (Depth: +1.5, -2.5mm, Vertical: ± 2.5 mm, Overlay: +0, -4mm)

[Sold separately] ▶ P.14

- Olympia series mounting plate
- Countersunk head tapping screw 3.5 x 15NI

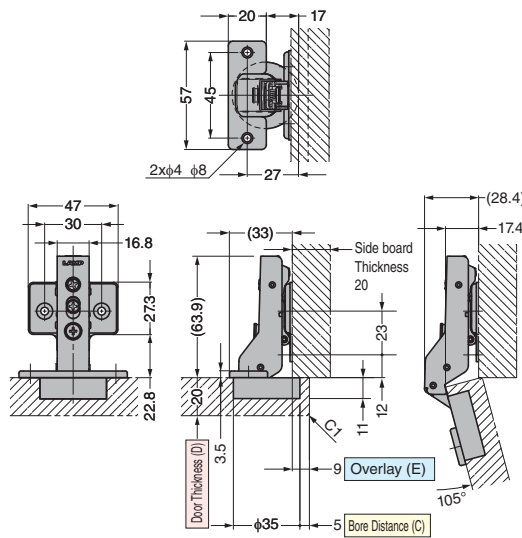
[Recommended screws]

- Countersunk head wood/tapping screw 3.5

RoHS	CAD	Item Code	Item Name	Type	Material	Finish	Carton
G	2020	160-026-842	360-D26-9T	with damper	Steel	Nickel	100pcs
G	2020	160-026-838	360-26-9T	without catch			200pcs
G	2020	160-026-834	360-C26-9T	with catch			200pcs

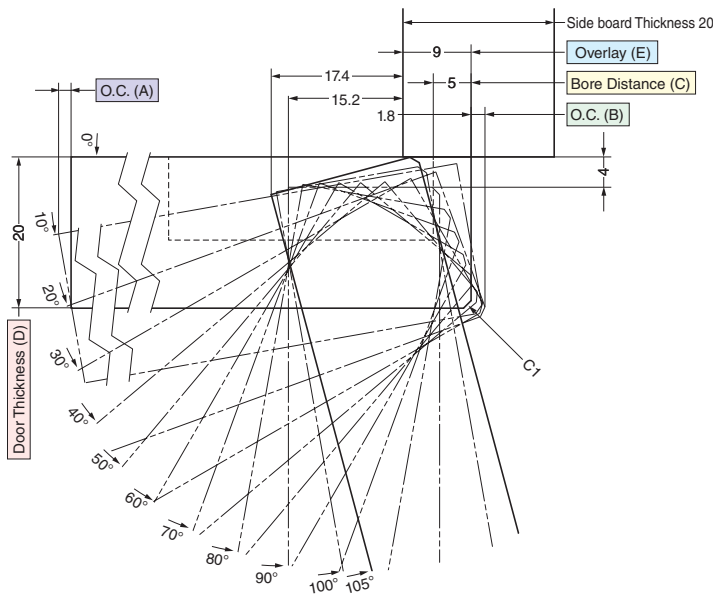
A mounting plate(sold separately) is required for installation. Please order separately.

• Outline drawing S=1/4



Drawing above is 360-D26-9T, 360-26-9T, 360-C26-9T snapped on to mounting plate 360-P4W-30T: Bore Distance 5mm, Door Thickness 20mm, Side board Thickness 20mm and 9mm Overlay.

• Locus chart S=1/1



Bore Distance (C)

Bore Distance (C)	3	4	5
Overlay (E)	7	8	9

For standard type mounting plate 0mm thickness. Overlay adjustment (-4mm) by turning the overlay adjustment screw.

Opening Clearance (O.C.)

Clearances for door edge O.C. (A) and hinge side O.C. (B) are necessary. O.C. (A) and (B) change depending on door thickness and bore distance (C). Refer to locus chart and tables below when designing cabinets.

O.C. (B)

Door Thickness (D)	Bore Distance (C)		
	3	4	5
15	0.6	0.6	0.5
16	0.8	0.8	0.7
17	1.0	1.0	1.0
18	1.3	1.3	1.2
19	1.6	1.6	1.5
20	2	1.9	1.8
21*	2.4	2.3	2.2
22*	2.8	2.7	2.6
O.C. (B)			

The table above shows O.C. (B) for C1 chamfering (chamfer plane).

*Please refer to the locus chart if door thickness is over 20mm.

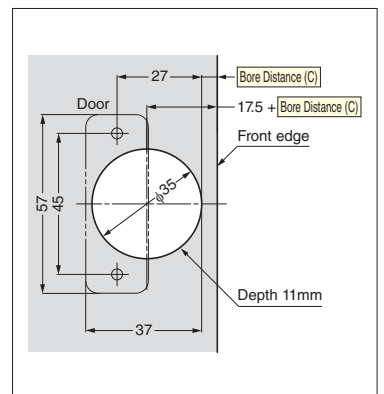
(O.C. (B) can be made smaller by R chamfering (round chamfer) and C chamfering (chamfer plane) on the door.)

O.C. (A)

Door Thickness (D)	Door Width			
	300	400	500	600
20	0.13	0.09	0.07	0.06
O.C. (A)				

[Door dimensions and number of hinges necessary] ▶ P.9

Cut Out Dimensions



LAMP Olympia Concealed Hinge 360

OLYMPIA

Soft-close
Passed 200,000 open/close private cycle test



Damper power adjustment lever

Picture above is the combination of a concealed hinge (with damper) and a mounting plate (sold separately).

- Damper strength features a 5-level adjustment.
- Door can be adjusted in 3 dimensions (Depth: +1.5, -2.5mm, Vertical: ± 2.5 mm, Overlay: +0, -4mm)

[Sold separately] ▶ P.14

- Olympia series mounting plate
- Countersunk head tapping screw 3.5 x 15NI

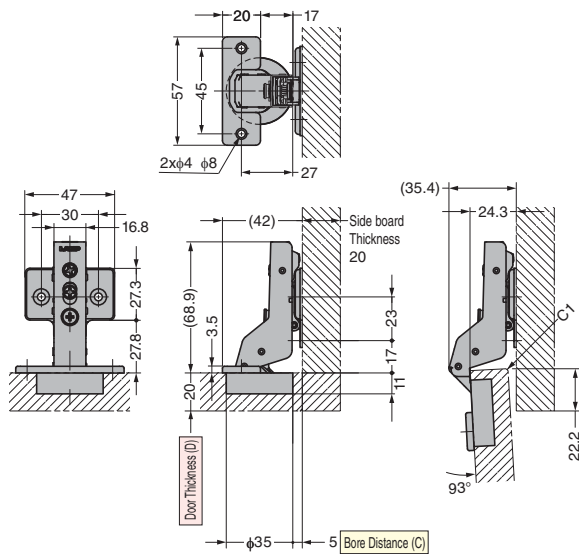
[Recommended screws]

- Countersunk head wood/tapping screw 3.5

RHS	CAD	Item Code	Item Name	Type	Material	Finish	Carton
		160-026-843	360-D26-0T	with damper	Steel	Nickel	100pcs
		160-026-839	360-26-0T	without catch			200pcs
		160-026-835	360-C26-0T	with catch			200pcs

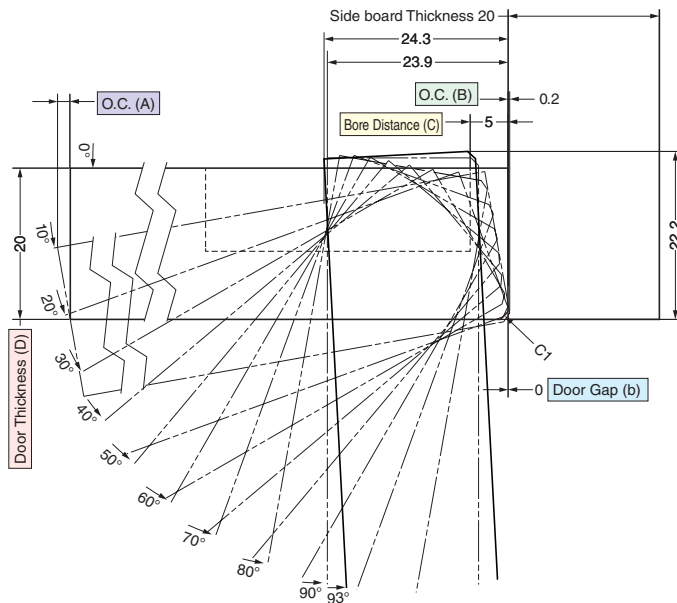
A mounting plate(sold separately) is required for installation. Please order separately.

• Outline drawing S \approx 1/4



Drawing above is 360-D26-0T, 360-26-0T, 360-C26-0T snapped on to mounting plate 360-P4W-30T: Bore Distance 5mm, Door Thickness 20mm, Side board Thickness 20mm, and Inset.

• Locus chart S \approx 1/1



Bore Distance (C)

Bore Distance (C)	3	4	5
Door Gap (b)	2	1	0

For standard type mounting plate 0mm thickness. Door Gap (b) adjustment (+4mm) by turning the overlay adjustment screw. Please check required O.C. (B) at the table below.

Opening Clearance (O.C.)

Clearances for door edge O.C. (A) and hinge side O.C. (B) are necessary. O.C. (A) and (B) change depending on door thickness and bore distance (C). Refer to locus chart and tables below when designing cabinets.

O.C. (B)

Door Thickness (D)	Bore Distance (C)		
	3	4	5
15	0	0	0
16	0	0	0
17	0	0	0
18	0	0	0
19	0.1	0.1	0.1
20	0.3	0.3	0.2
21*	0.5	0.4	0.4
22*	1.0	0.7	0.7

O.C. (B)

The table above shows O.C. (B) for C1 chamfering (chamfer plane).

*Please refer to the locus chart if door thickness is over 20mm.

(O.C. (B) can be made smaller by R chamfering (round chamfer) and C chamfering (chamfer plane) on the door.)

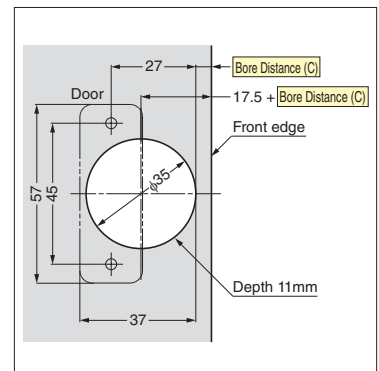
O.C. (A)

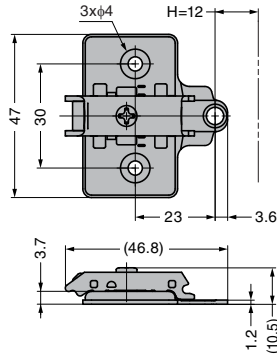
Door Thickness (D)	Door Width		
	300	400	500
20	0.44	0.32	0.25

O.C. (A)

[Door dimensions and number of hinges necessary] ▶ P.9

Cut Out Dimensions



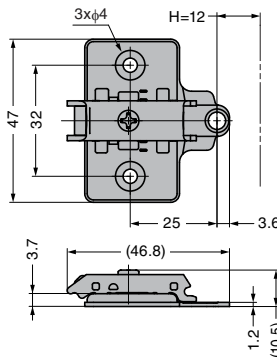
LAMP. Mounting Plate 360-P4W-30T Olympia series - System 30

- Height adjustable (± 2.5).
- Standard height: 0mm
- Value of H for inset installation is Door thickness + 17mm.

[Sold separately]

- Countersank head tapping screw 3.5 × 15NI

RoHS	CAD	Item Code	Item Name	Material	Finish	Weight (g)	Carton
		160-026-844	360-P4W-30T	Steel	Nickel	25	400pcs

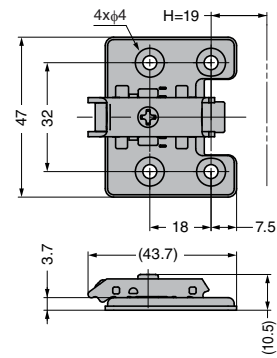
LAMP. Mounting Plate 360-P4W-32T Olympia series - System 32

- Height adjustable (± 2.5).
- Standard height: 0mm
- Value of H for inset installation is Door thickness + 17mm.

[Sold separately]

- Countersank head tapping screw 3.5 × 15NI

RoHS	CAD	Item Code	Item Name	Material	Finish	Weight (g)	Carton
		160-026-845	360-P4W-32T	Steel	Nickel	25	400pcs

LAMP. Mounting Plate 360-P6WT Olympia series - System 32 with 4 holes

- Height adjustable (± 2.5).
- Standard height: 0mm
- Value of H for inset installation is Door thickness + 24mm.

[Sold separately]

- Countersank head tapping screw 3.5 × 15NI

RoHS	CAD	Item Code	Item Name	Material	Finish	Weight (g)	Carton
		160-026-846	360-P6WT	Steel	Nickel	25	400pcs

Countersank head tapping screw 3.5×15NI Olympia series

Sold in boxes of 400 pieces

RoHS	CAD	Item Code	Item Name	Material	Finish
		-	TAP3515NI	Steel	Nickel

upcoming products

The Olympia series will soon have more products to offer:



Body

- 85° opening 360
- Spring-open 360
- Glass door G360
- Thick door H360
Cup size: $\phi 40\text{mm}$ /
Door thickness: 18-30mm

Mounting plates

- Mounting plate with pre-mounted screws
- 5mm thick mounting plate

Option

- 85° opening stopper



Soft closing technology

Lapcon comes from LAMP CONTROL.

Lapcon is the name given by Sugatsune to its range of controlled closure solutions. It was first used in 1987 with the SDS cabinet stay.

Nowadays, Lapcon technology extends to architectural and industrial solutions where a smooth and controlled movement is needed.



SDS-C100-TV



NSDX-35(R/L)K



SUGATSUNE KOGYO CO.,LTD.
Manufacturer of **LAMP** brand Products

Global Headquarters

SUGATSUNE KOGYO CO., LTD
<http://www.sugatsune-intl.com>

TOKYO OFFICE & SHOWROOM

1-8-11 Higashikanda, Chiyoda-ku Tokyo 101-8633, JAPAN
Phone +81-3-3866-2260
E-mail: export@sugatsune.co.jp

North America

SUGATSUNE AMERICA, INC.
<http://www.sugatsune.com>

LOS ANGELES OFFICE

18101 Savarona Way, Carson, CA 90746 U.S.A.
Phone +1-310-329-6373
E-mail: sales@sugatsune.com

CHICAGO OFFICE & SHOWROOM

121 West Wacker Drive #1007, Chicago, IL 60601 U.S.A.
Phone +1-312-461-1081
E-mail: chicagoshowroom@sugatsune.com

SUGATSUNE CANADA, INC.
<http://www.sugatsune.ca>

MONTREAL OFFICE

3775 Boulevard du Tricentenaire Montreal, Quebec H1B-5W3 Canada
Phone +1-514-312-6267
E-mail: support@sugatsune.ca

Europe

SUGATSUNE KOGYO (UK) LIMITED
<http://www.sugatsune.co.uk>

READING OFFICE

Unit 635 Wharfedale Road Winnersh Triangle Wokingham RG41 5TP UK
Phone +44-118-9272-955
E-mail: sales@sugatsune.co.uk

SUGATSUNE EUROPE GmbH
<http://www.sugatsune.eu>

DÜSSELDORF OFFICE

Heerdter Lohweg 87-89 D-40549 Düsseldorf Germany
Phone +49-211-53812-900
E-mail: sales@sugatsune.eu

Asia

SUGATSUNE SHANGHAI CO.,LTD.
<http://www.sugatsune.com.cn>

SHANGHAI OFFICE & SHOWROOM

1F No.2 Wan Rong Yi Road, Zha bei District, Shanghai 200436, China
Phone +86-21-3632-1858
E-mail: lamp@sugatsune.com.cn

GUANGZHOU OFFICE

Room206, No.11-13 Jie Jin Zhong Road, Fu Du Building,
Shiqiao Town, Panyu District, Guangzhou 511400, China
Phone +86-20-6639-3552
E-mail: gziamp@sugatsune.com.cn

SUGATSUNE KOGYO INDIA PRIVATE LIMITED
<https://www.sugatsune-intl.com/india>

MUMBAI OFFICE & SHOWROOM

No.G-002 & B-02, Ground Floor, KANAKIA ATRIUM-2 Next to
Courtyard Marriott Hotel, Andheri Kurla Road, Andheri East,
Mumbai-400093, Maharashtra, INDIA
Phone +91-22-2831-4490/91
E-mail: sales@sugatsune.in