

RECESSED HOOK

TEST METHOD 4

NF-R64



■Features

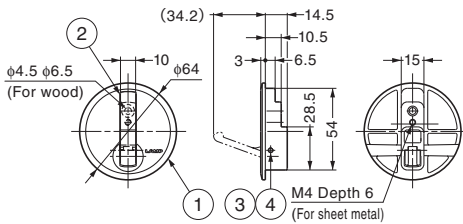
Hook is spring loaded to retract.

■Options

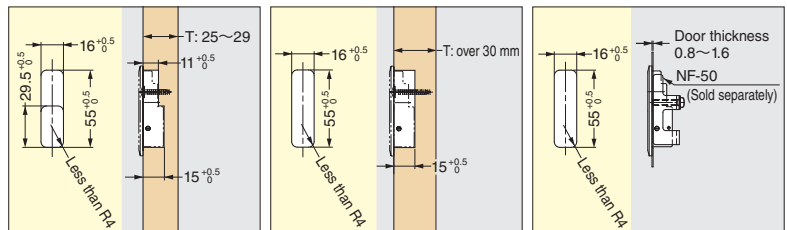
NF-50: Bracket for sheet metal applications

■Recommended Screw

- For wood (T: 25~29 mm) : Countersunk head tapping screw 4x19
- For wood (T: over 30 mm) : Countersunk head tapping screw 4x25



■For Wood (T: 25~29 mm) ■For Wood (T: Over 30 mm) ■For Sheet Metal



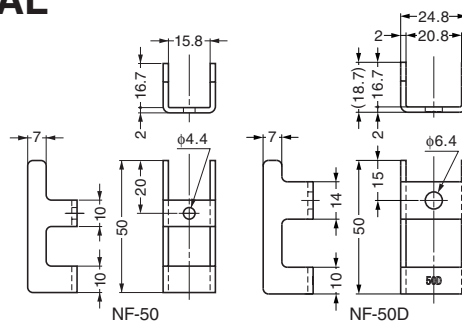
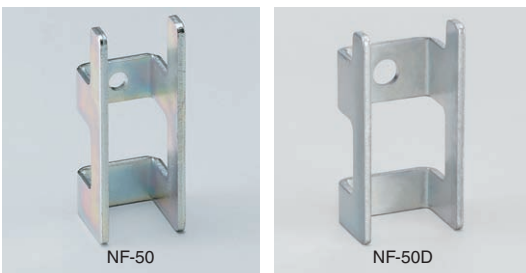
No.	Part Name	Material	Finish/Colour
①	Body	Zinc Alloy	Pearl Chrome
②	Arm	Zinc Alloy	Pearl Chrome
③	Spring	Stainless Steel	Plain
④	Knurled Pin	Stainless Steel	Plain
-	Cushion Rubber	Rubber	Grey

Item Code	Item Name	Load Capacity	Weight	Box	Carton
110-020-068	NF-R64	196 N	20 kgf	10 pcs	120 pcs

BRACKET FOR SHEET METAL



NF-50



■Features

Bracket for sheet metal applications of NF-R64, NF-60 and NF-60D.

■Parts Included

- NF-50 :
- M4×20 stainless steel screw for NF-60
 - M4×14 stainless steel screw for NF-R64
- NF-50D :
- M6×20 stainless steel screw

Item Code	Item Name	Hook	Material	Finish	Weight	Box	Carton
110-020-021	NF-50	NF-R64, NF-60	Steel	Yellow Zinc Chromate/Clear	22 g	20 pcs	400 pcs
110-024-599	NF-50D	NF-60D	Steel	Zinc Chromate	25 g	20 pcs	400 pcs