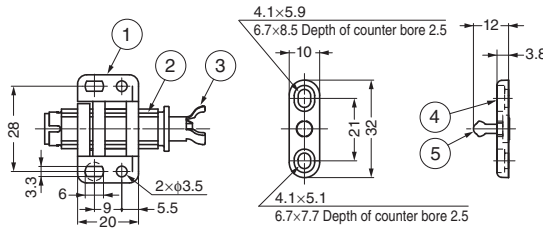


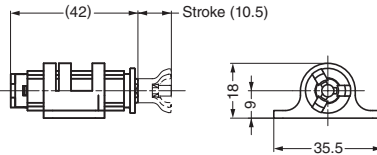
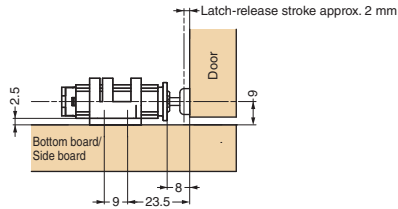
# NON-MAGNETIC TOUCH LATCH



## MC-20



- Features**
- No handle needed, just push to open/close.
  - Easy adjustment by revolving the body.
  - Non magnetic.
- Parts Included**
- Round head wood screw 3.1 × 13

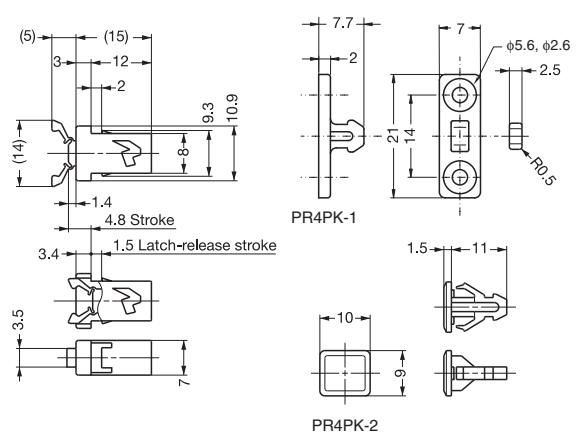
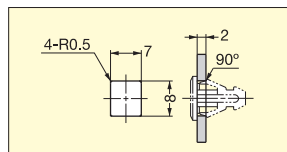
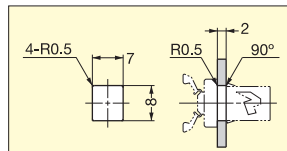
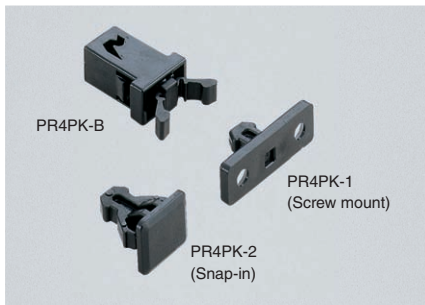


Item Code	Item Name	Colour	Retaining Force	Weight	Box	Carton
140-022-344	MC-20BL	Black	40 N	4 kgf	6 g	30 pcs / 600 pcs
140-022-345	MC-20WT	White	40 N	4 kgf	6 g	30 pcs / 600 pcs

No.	Part Name	Material	Colour
①	Base	Polypropylene (PP)	Black, White
②	Body	Polypropylene (PP)	Black, White
③	Latch	Polypropylene (PP)	Black, White
④	Counter Plate	Polypropylene (PP)	Black, White
⑤	Counter Plate	Polypropylene (PP)	Black, White

# NON-MAGNETIC MINI TOUCH LATCH

## PR-4PK

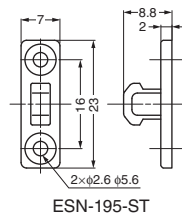
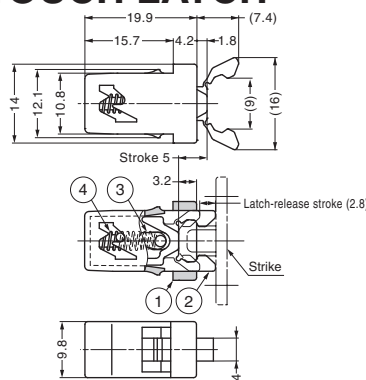


Item Code	Item Name	Specification	Retaining Force	Weight	Box	Carton
140-050-118	PR4PK-B	Body	12 N	1.2 kgf	0.7 g	1,000 pcs / 8,000 pcs
140-059-019	PR4PK-1	Counter Plate	—	—	0.4 g	— / 1,000 pcs
140-059-018	PR4PK-2	Counter Plate	—	—	0.5 g	— / 500 pcs

Part Name	Material	Colour
Body	Polyacetal	Black
Counter Plate	Polyamide	Black

# NON-MAGNETIC MINI TOUCH LATCH

## ESN-195/BLK



- Features**
- Strong retaining force.
- Sold Separately**
- Counter plate ESN-195-ST
- Recommended Screw (For Strikes)**
- Countersunk head screw M2.5
  - Countersunk head wood screw Nominal 2.4

No.	Part Name	Material	Colour
①	Body	Plastic (PBT)	Black
②	Catch	Polyamide (PA)	Black
③	Arm	Plastic (LCP)	Black
④	Spring	Steel	—

**■ Body**

Item Code	Item Name	Retaining Force	Weight	Box	Carton
140-059-195	ESN-195/BLK	34 N	3.5 kgf	2.3 g	1,000 pcs / 5,000 pcs

**■ Counter Plate**

Item Code	Item Name	Material	Weight	Box	Carton
140-014-075	ESN-195-ST	Polyacetal (POM)	0.5 g	1,000 pcs	4,000 pcs

**■ Cut Out Dimensions**

