



LIN-X450, LIN-X600

MONOFLAT LIN-X HINGE

MonoFlat LIN-X hinge®

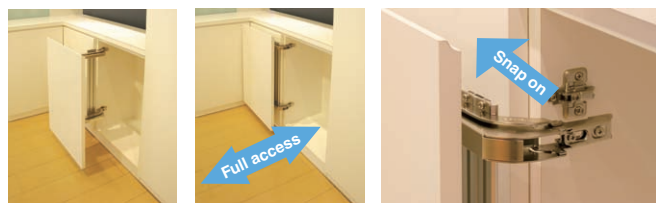


	LIN-X450	LIN-X600
Door Width	400~500 mm	550~650 mm
Door Height	600~2400 mm	
Door Thickness	15~24 mm	
Door Weight	Max. 17 kg/Door	Max. 24 kg/Door
Overlay	19 mm	

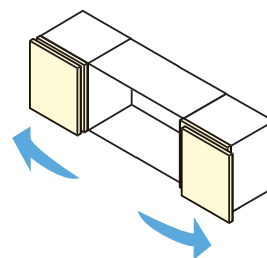
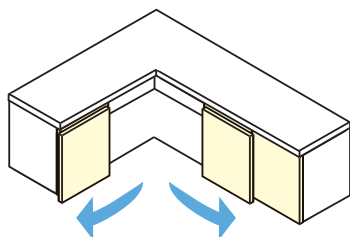
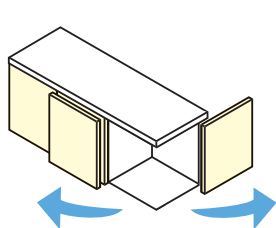
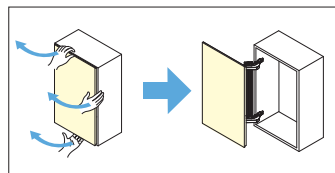
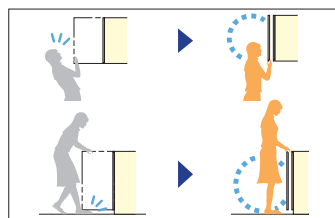
■ Features

- Lateral swing mechanism
Allows to swing out laterally in small radius, ideal for tight front space application.
- Full access to cabinet
Door will not get in the way when fully opened, providing full access to the cabinet.
- Free swing & soft-close
- Easy installation
- 4-way adjustable
- Various applications
Corner use, double door use & overlapped door use.

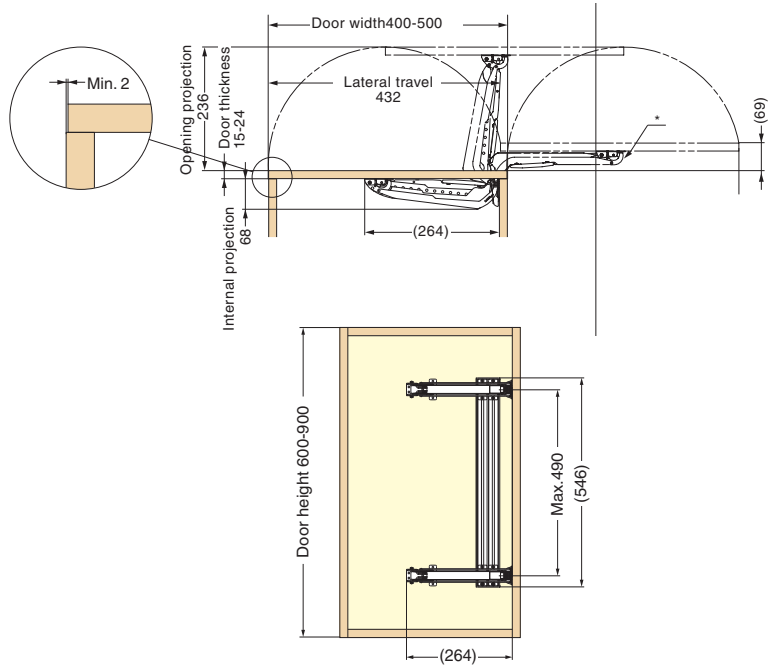
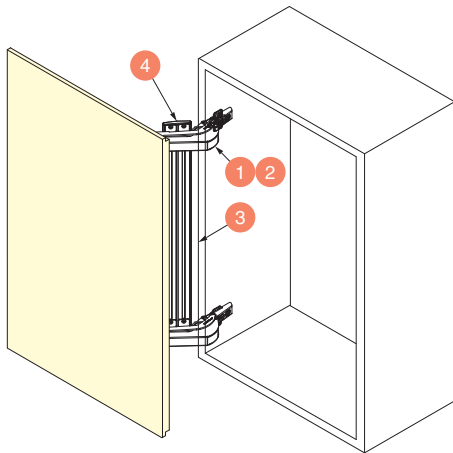
WARDROBE & CABINET DOOR HARDWARE



MONOFLAT LIN-X HINGE



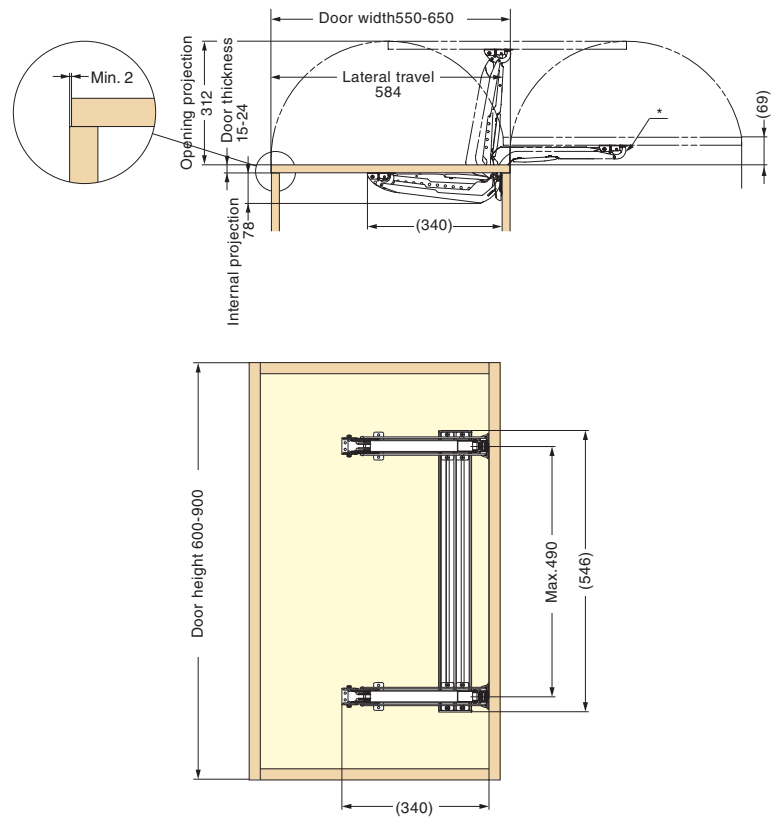
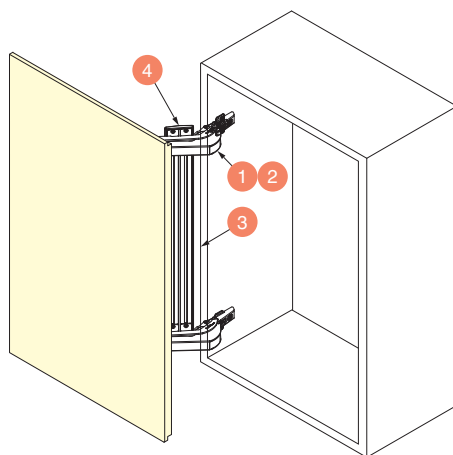
■ LIN-X450 Standard Kit



Door Width	400-500 mm
Door Height	600-900 mm
Door Thickness	15-24 mm
Door Weight	Max. 7 kg / Door

Item Code	Item Name	Overlay	Mounting Plate	Material	Finish	Weight	Box	Carton
250-014-240	LIN-X450	19 mm	230-P4W-32T	Steel/Aluminium	Nickel/Anodized	2.2 kg	1 set	6 sets
250-014-553	LIN-X450+5	14 mm	230-P4W-32T+5	Steel/Aluminium	Nickel/Anodized	2.2 kg	1 set	6 sets

■ LIN-X600 Standard Kit



Door Width	550-650 mm
Door Height	600-900 mm
Door Thickness	15-24 mm
Door Weight	Max. 9 kg / Door

Item Code	Item Name	Overlay	Mounting Plate	Material	Finish	Weight	Box	Carton
250-017-590	LIN-X600	19 mm	230-P4W-32T	Steel/Aluminium	Nickel/Anodized	3.2 kg	1 set	6 sets

WARDROBE &
CABINET DOOR HARDWARE

MONOFLAT LIN-X HINGE

■ LIN-X450 Individual Parts for Tall/Heavy Door

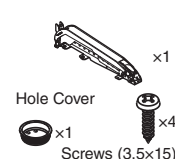
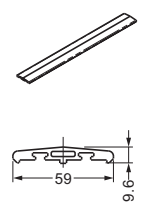
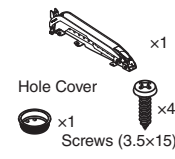
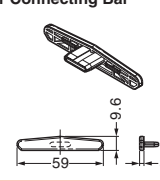
Parts Set (Per Door)

Necessary Parts

Please refer to parts included in each set.

Item Code	Item Name	Door Height	Door Weight	Parts Included			
				Hinge Set (With Damper) Item Name : LIN-X450ACD	Hinge Set (Without Damper) Item Name : LIN-X450A	Connecting Bar Item Name : LIN-X45-Lxxx	End Cap For Connecting Bar Item Name : LIN-X45C
250-016-704	LIN-X450S-1210	901-1200 mm	7.1-10.5 kg	3 sets	—	840 mm x 1 pc	2 pcs
250-016-705	LIN-X450S-1214		10.6-14 kg	3 sets	1 set		2 pcs
250-016-707	LIN-X450S-1510	1201-1500 mm	7.1-10.5 kg	3 sets	—	1140 mm x 1 pc	2 pcs
250-016-708	LIN-X450S-1514		10.6-14 kg	3 sets	1 set		2 pcs
250-016-709	LIN-X450S-1517		14.1-17 kg	3 sets	2 sets		2 pcs
250-016-711	LIN-X450S-1810		7.1-10.5 kg	3 sets	—		2 pcs
250-016-712	LIN-X450S-1814	1501-1800 mm	10.6-14 kg	3 sets	1 set	1440 mm x 1 pc	2 pcs
250-016-713	LIN-X450S-1817		14.1-17 kg	3 sets	2 sets		2 pcs
250-016-716	LIN-X450S-2110	1801-2100 mm	7.1-10.5 kg	3 sets	—	1740 mm x 1 pc	2 pcs
250-016-717	LIN-X450S-2114		10.6-14 kg	3 sets	1 set		2 pcs
250-016-718	LIN-X450S-2117		14.1-17 kg	3 sets	2 sets		2 pcs
250-016-723	LIN-X450S-2414		10.6-14 kg	3 sets	1 set		2 pcs
250-016-724	LIN-X450S-2417	2101-2400 mm	14.1-17 kg	3 sets	2 sets	2040 mm x 1 pc	2 pcs

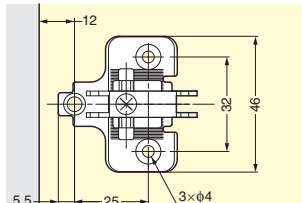

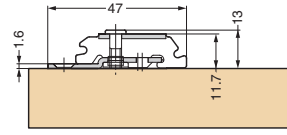

Parts Included

No.	Part Name	Description	No.	Part Name	Description
1	Hinge Body with Damper	 <p>Item Code : 250-016-240 Part Name : LIN-X450ACD</p> <ul style="list-style-type: none"> Material: Steel Finish: Nickel 	3	Connecting Bar	 <p>Item Code : 250-016-250 Part Name : LIN-X45-L540</p> <p>Item Code : 250-016-252 Part Name : LIN-X45-L840</p> <p>Item Code : 250-016-254 Part Name : LIN-X45-L1140</p> <p>Item Code : 250-016-255 Part Name : LIN-X45-L1440</p> <p>Item Code : 250-016-256 Part Name : LIN-X45-L1740</p> <p>Item Code : 250-016-259 Part Name : LIN-X45-L2040</p> <ul style="list-style-type: none"> Material: Aluminium Alloy Finish: Anodized
2	Hinge Body without Damper	 <p>Item Code : 250-016-242 Part Name : LIN-X450A</p> <ul style="list-style-type: none"> Material: Steel Finish: Nickel 	4	End Cap for Connecting Bar	 <p>Item Code : 250-016-260 Part Name : LIN-X45C</p> <ul style="list-style-type: none"> Material: Polyacetal (POM) Color: Grey

Mounting Plate

Necessary Parts

Same qty as hinge is necessary.

Item Code	Part Name	Dimensions	Description
160-070-041	Mounting Plate		<ul style="list-style-type: none"> Material: Steel Finish: Nickel <p>Same quantity with hinge is necessary.</p>
230-P4W-32T			
160-070-030	Raised Countersunk Head Tapping Screw 3.5×15		<ul style="list-style-type: none"> Material: Steel Finish: Nickel
TAP3515NI		 <p>x3 per mounting plate</p>	

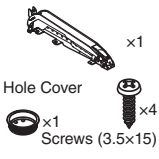
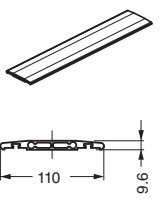
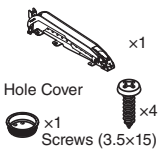
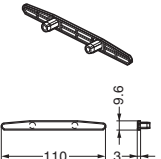
WARDROBE & CABINET DOOR HARDWARE

MONOFLAT LIN-X HINGE

LIN-X600 Individual Parts for Tall/Heavy Door

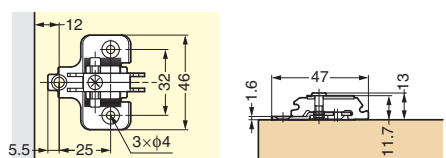

Parts Set (Per Door)		Necessary Parts Please refer to parts included in each set.					
Item Code	Item Name	Door Height	Door Weight	Parts Included			
				Hinge Set (With Damper) Item Name : LIN-X600ACD	Hinge Set (Without Damper) Item Name : LIN-X600A	Connecting Bar Item Name : LIN-X60-Lxxx	End Cap For Connecting Bar Item Name : LIN-X60C
250-017-068	LIN-X600S-1212	901-1200 mm	Less than 12 kg	2 sets	—	840 mm x 1 pc	2 pcs
250-017-069	LIN-X600S-1216		12.1-16 kg	3 sets	—		2 pcs
250-017-071	LIN-X600S-1516	1201-1500 mm	Less than 16 kg	3 sets	—	1140 mm x 1 pc	2 pcs
250-017-072	LIN-X600S-1520		16.1-20 kg	3 sets	1 set		2 pcs
250-017-074	LIN-X600S-1816	1501-1800 mm	Less than 16 kg	3 sets	—	1440 mm x 1 pc	2 pcs
250-017-075	LIN-X600S-1820		16.1 kg-20 kg	3 sets	1 set		2 pcs
250-017-493	LIN-X600S-1824		20.1-24 kg	3 sets	2 sets		2 pcs
250-017-077	LIN-X600S-2116		Less than 16 kg	3 sets	—		2 pcs
250-017-078	LIN-X600S-2120	1801-2100 mm	16.1 kg-20 kg	3 sets	1 set	1740 mm x 1 pc	2 pcs
250-017-079	LIN-X600S-2124		20.1-24 kg	3 sets	2 sets		2 pcs
250-017-082	LIN-X600S-2420	2101-2400 mm	Less than 20 kg	3 sets	1 set	2040 mm x 1 pc	2 pcs
250-017-083	LIN-X600S-2424		20.1-24 kg	3 sets	2 sets		2 pcs

Parts Included

No.	Part Name	Description	No.	Part Name	Description
1	Hinge Body with Damper	 <p>Item Code : 250-016-962 Part Name : LIN-X600ACD</p> <ul style="list-style-type: none"> Material Steel Finish Nickel 	3	Connecting Bar	 <p>Item Code : 250-016-964 Part Name : LIN-X60-L540</p> <p>Item Code : 250-016-965 Part Name : LIN-X60-L840</p> <p>Item Code : 250-016-966 Part Name : LIN-X60-L1140</p> <p>Item Code : 250-016-967 Part Name : LIN-X60-L1440</p> <p>Item Code : 250-016-968 Part Name : LIN-X60-L1740</p> <p>Item Code : 250-016-969 Part Name : LIN-X60-L2040</p> <ul style="list-style-type: none"> Material Aluminium Alloy Finish Anodized
2	Hinge Body without Damper	 <p>Item Code : 250-016-963 Part Name : LIN-X600A</p> <ul style="list-style-type: none"> Material Steel Finish Nickel 	4	End Cap for Connecting Bar	 <p>Item Code : 250-016-970 Part Name : LIN-X60C</p> <ul style="list-style-type: none"> Material Polyacetal (POM) Colour Grey

WARDROBE & CABINET DOOR HARDWARE

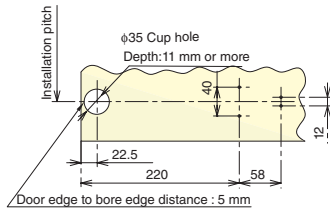
MONOFLAT LIN-X HINGE

Mounting Plate		Necessary Parts Same qty as hinge is necessary.	
Item Code	Part Name	Dimensions	Description
160-070-041	Mounting Plate		<ul style="list-style-type: none"> Material Steel Finish Nickel <p>*Same quantity with hinge is necessary.</p>
160-070-030	Raised Countersunk Head Tapping Screw 3.5×15	 <p>x3 per mounting plate</p>	<ul style="list-style-type: none"> Material Steel Finish Nickel

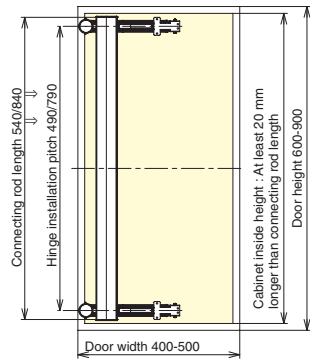
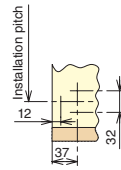
Hinge Installation Pitch and Other Dimensions

LIN-X450

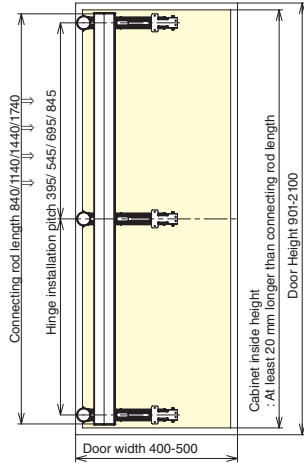
Door Preparation



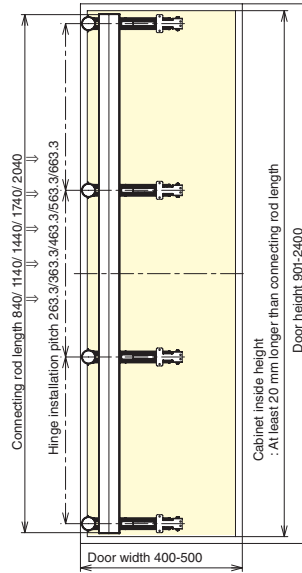
Cabinet Preparation



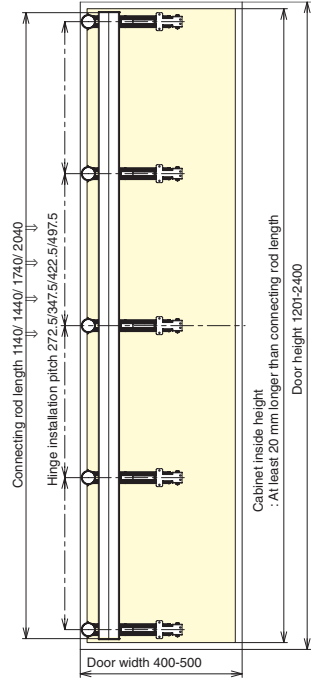
2 Hinges per door
(① LIN-X450ACD : 2 pcs)



3 Hinges per door
(① LIN-X450ACD : 3 pcs)



4 Hinges per door
(① LIN-X450ACD : 3 pcs)
(② LIN-X450A : 1 pc)
*Please install the ② to the second place from the bottom.

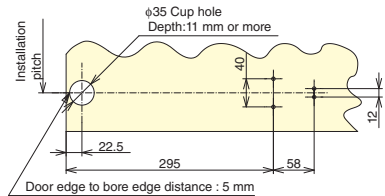


5 Hinges per door
(① LIN-X450ACD : 3 pcs)
(② LIN-X450A : 2 pcs)
*Please install the ② to the 2nd and 3rd place from the bottom.

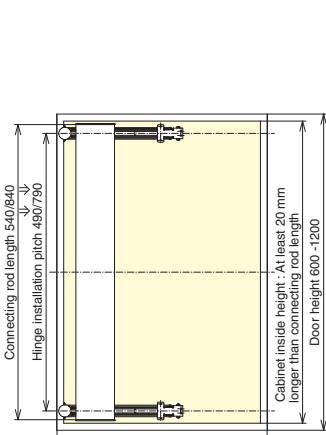
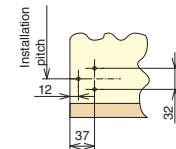
Hinge Installation Pitch and Other Dimensions

LIN-X600

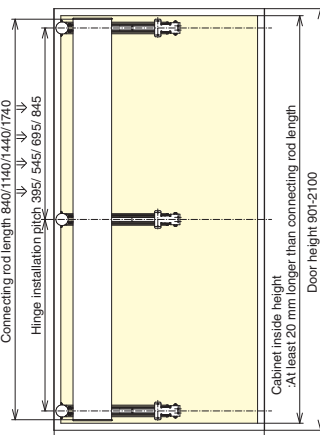
Door Preparation



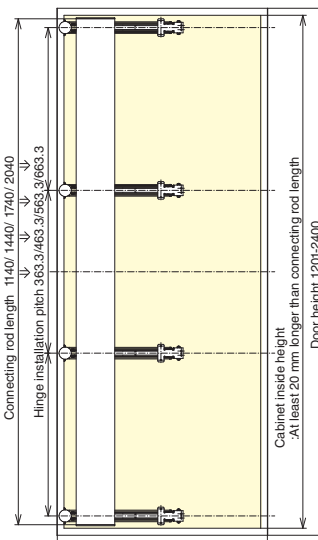
Cabinet Preparation



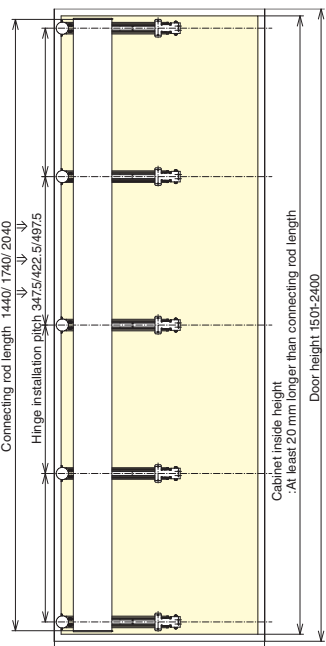
2 Hinges per door
(① LIN-X600 ACD : 2 pcs)



3 Hinges per door
(① LIN-X600 ACD : 3 pcs)



4 Hinges per door
(① LIN-X600 ACD : 3 pcs)
(② LIN-X600 A : 1 pc)
*Please install the ② to the 2nd place from the bottom.



5 Hinges per door
(① LIN-X600 ACD : 3 pcs)
(② LIN-X600 A : 2 pcs)
* Please install the ② to the 2nd and 3rd place from the bottom.

MONOFLAT LIN-X HINGE (HEAVY DUTY)



LIN-X1000



MonoFlat LIN-X hinge®

	LIN-X1000
Door Width	750 ~ 1100 mm
Door Height	Max. 2980 mm
Door Thickness	24 ~ 40 mm
Door Weight	Max. 90 kg/Door

■ Features

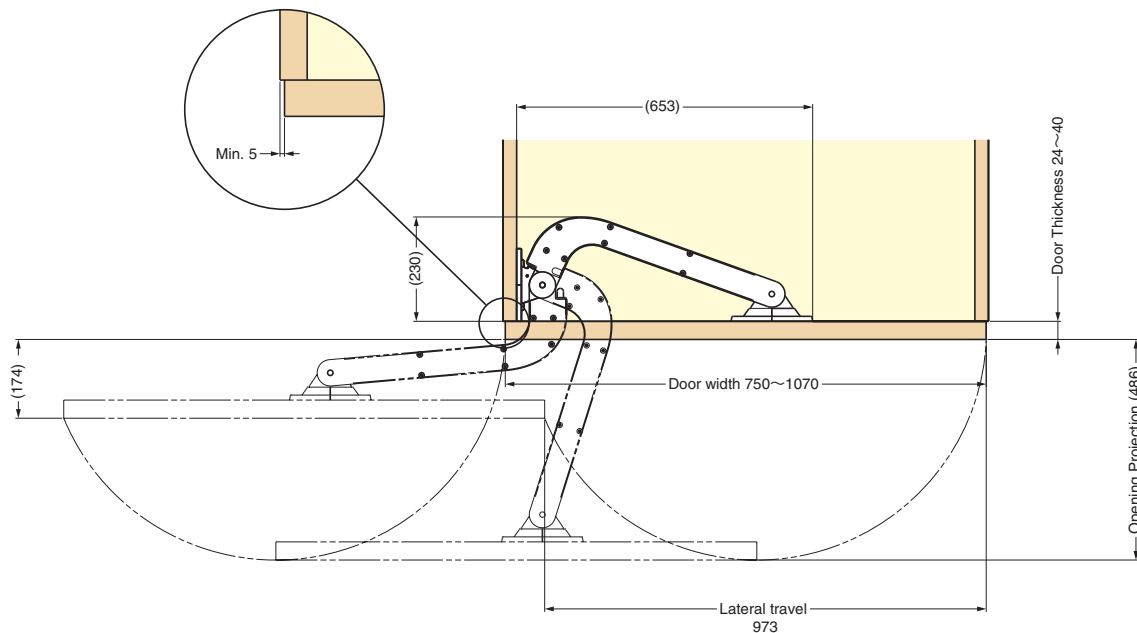
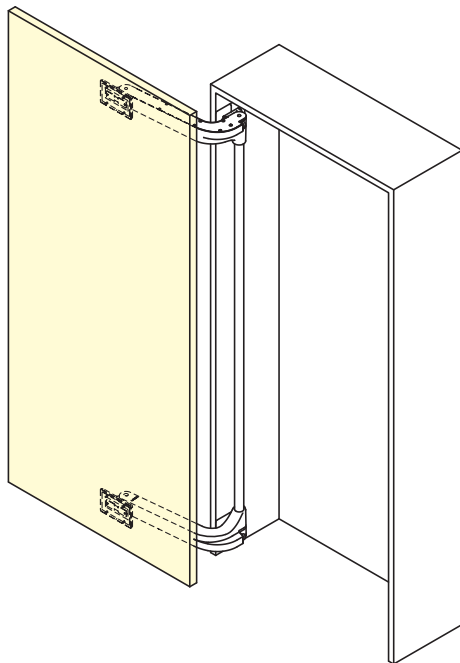
- Unique Design & Easy Installation.
- Lateral Swing Mechanism
Allows doors to swing out laterally in a small radius, ideal for tight front space application.
- Full Access to Cabinet
Door will not get in the way when fully opened providing full access to the cabinet.
- Smooth Movement
Handle can be installed in any position of door.
- Free Stop & Soft-close
Door can be stopped in any position and closes softly.
- 4-Way Adjustable
Adjustment in vertical (± 7 mm), horizontal (± 7 mm), depth (± 5 mm) and parallel ($\pm 3^\circ$).

■ Parts Included

Truss head tapping screw 6×25 (16 pieces)

■ Applicable Door Load Capacity

Open/Close cycles	Door sagging	
	3 mm	5 mm
60,000	70 kg	90 kg
80,000	50 kg	80 kg
100,000	40 kg	70 kg



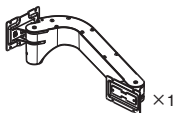
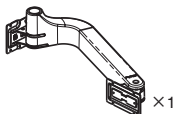
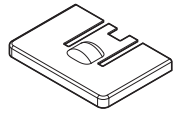
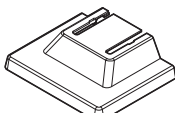
WARDROBE & CABINET DOOR HARDWARE

MONOFLAT LIN-X HINGE (HEAVY DUTY)

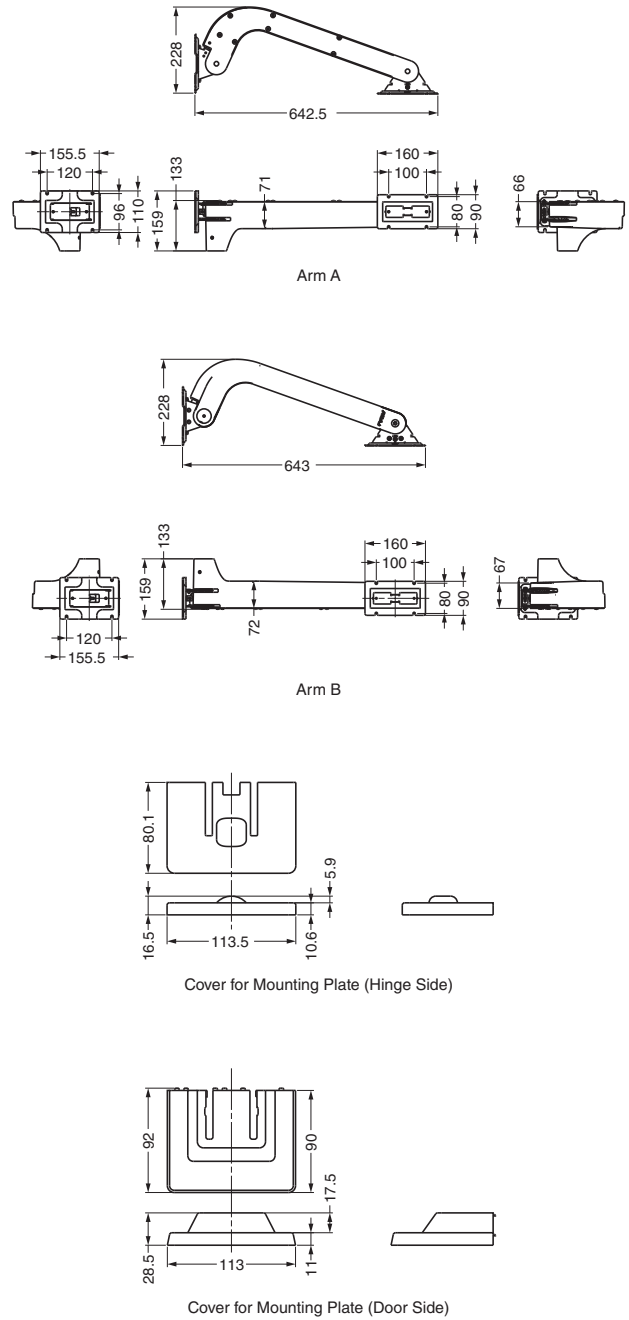
Parts Set (Per Door) Necessary Parts

Item Code	Item Name
-	LIN-X1000

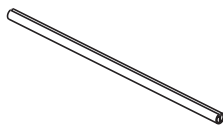
Parts Included

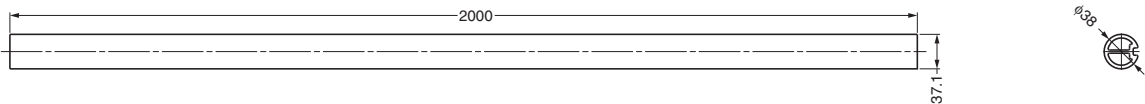
No.	Qty	Part Name	Description
1	1 pc	 Arm A ● Material Aluminium Alloy ● Finish Painting	
2	1 pc	 Arm B ● Material Aluminium Alloy ● Finish Painting	
3	4 pcs	 Cover for Mounting Plate (Hinge Side) ● Material ABS Resin ● Finish White	
4	4 pcs	 Cover for Mounting Plate (Door Side) ● Material ABS Resin ● Finish White	

Parts Drawing

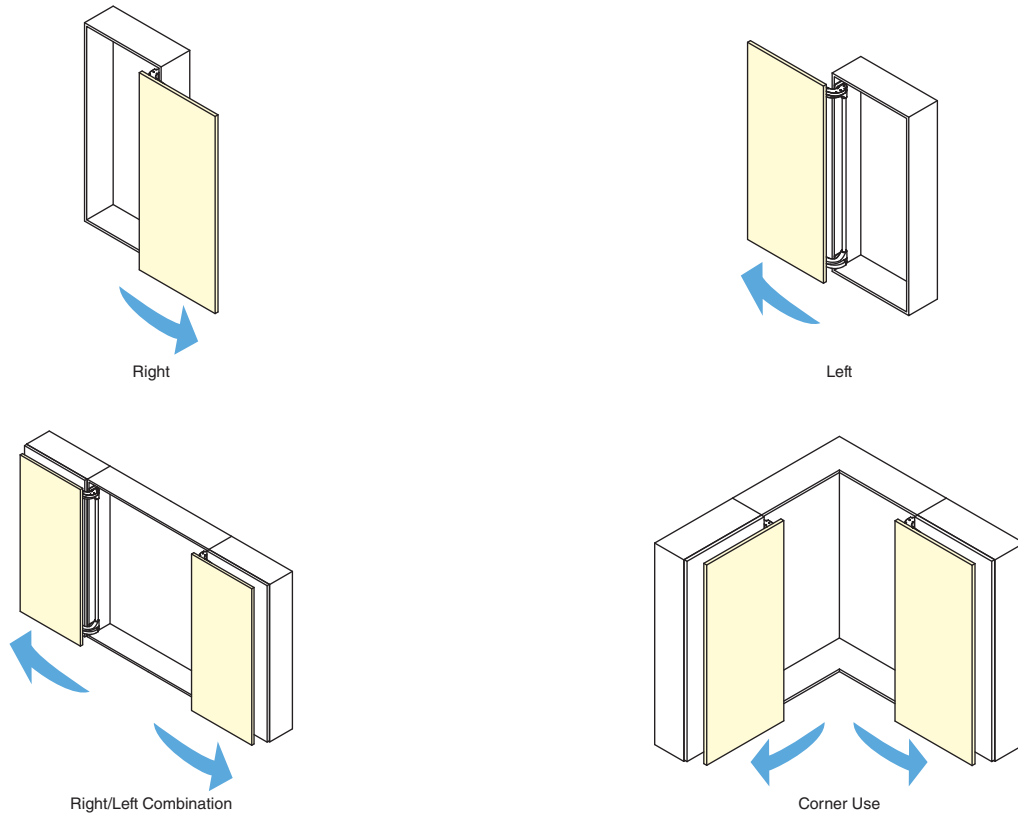


Connecting Bar Necessary Parts

No.	Qty	Part Name	Item Code	Item Name	Description
5	1 pc	 Connecting Bar ● Material Aluminium Extrusion ● Finish Anodized	-	LIN-X100-L2000	



■ Various Applications



■ Installation

